



**CYLINDER HEAD**

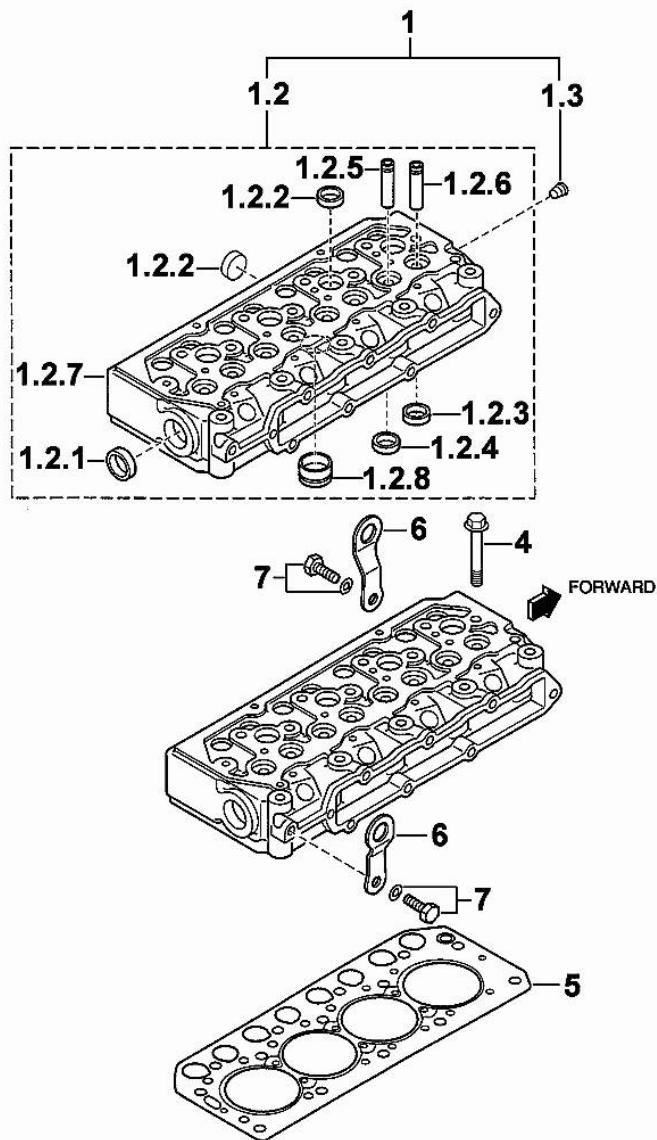


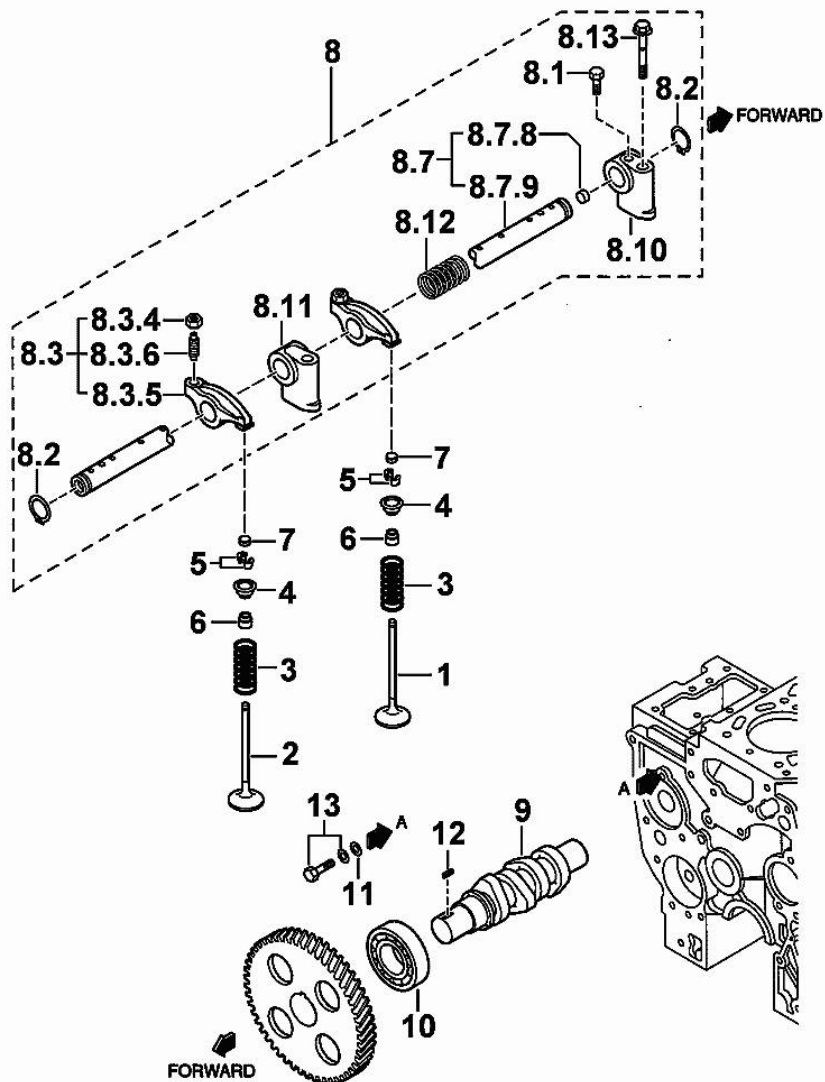
Fig.	P/n	QTY	Name
1	0.010.3986.1	1	engine head
1.2	0.000.0000.1		cannot be supplied
1.2.1	0.010.2634.1	1	plug
1.2.2	0.009.4527.0	7	plug
1.2.3	0.000.0000.1		cannot be supplied
1.2.4	0.000.0000.1		cannot be supplied
1.2.5	0.010.2634.2	4	valve guide
1.2.6	0.010.2635.0	4	valve guide
1.2.7	0.000.0000.1		cannot be supplied
1.2.8	0.010.2636.2	4	special bushing
1.3	0.009.4545.1	1	plug
4	0.010.2633.1	14	screw
5	0.010.2635.2	1	gasket
6	0.009.4541.2	2	bracket
7	0.010.2633.0	2	screw

MIT\_H36\_003-A-001

01011-001E 47CV

**CYLINDER HEAD**

Fig.	P/n	QTY	Name
1	0.010.2637.2	4	inlet valve Ø mm 6.5
2	0.010.2638.0	4	exhaust valve Ø mm 6.5
3	0.010.2638.1	8	spring
4	0.000.0000.1	8	cannot be supplied
5	0.009.4561.2	16	stop
6	0.009.4562.0	8	gasket
7	0.010.2639.0	8	cap
8	0.000.0000.1	1	cannot be supplied
8.1	0.010.2640.1	1	screw
8.2	0.009.4559.0	2	ring
8.3	0.010.3949.0	8	rocker arm
8.3.4	0.010.2641.0	8	nut
8.3.5	0.000.0000.1		cannot be supplied
8.3.6	0.010.3949.1	8	register
8.7	0.010.2644.1	1	shaft
8.7.8	0.010.2643.0	2	plug
8.7.9	0.000.0000.1		cannot be supplied
8.10	0.010.2642.0	1	support
8.11	0.010.2642.1	3	support
8.12	0.010.2643.1	3	spring
8.13	0.010.2643.2	4	screw
9	0.010.2644.0	1	camshaft
10	0.009.4567.0	1	special bearing
11	0.009.4566.0	1	washer
12	0.009.4567.2	1	stick
13	0.010.2639.1	1	screw



MIT\_H36\_004-A-001

01021-013E

**<https://www.ebooklibonline.com>**

Hello dear friend!

Thank you very much for reading.

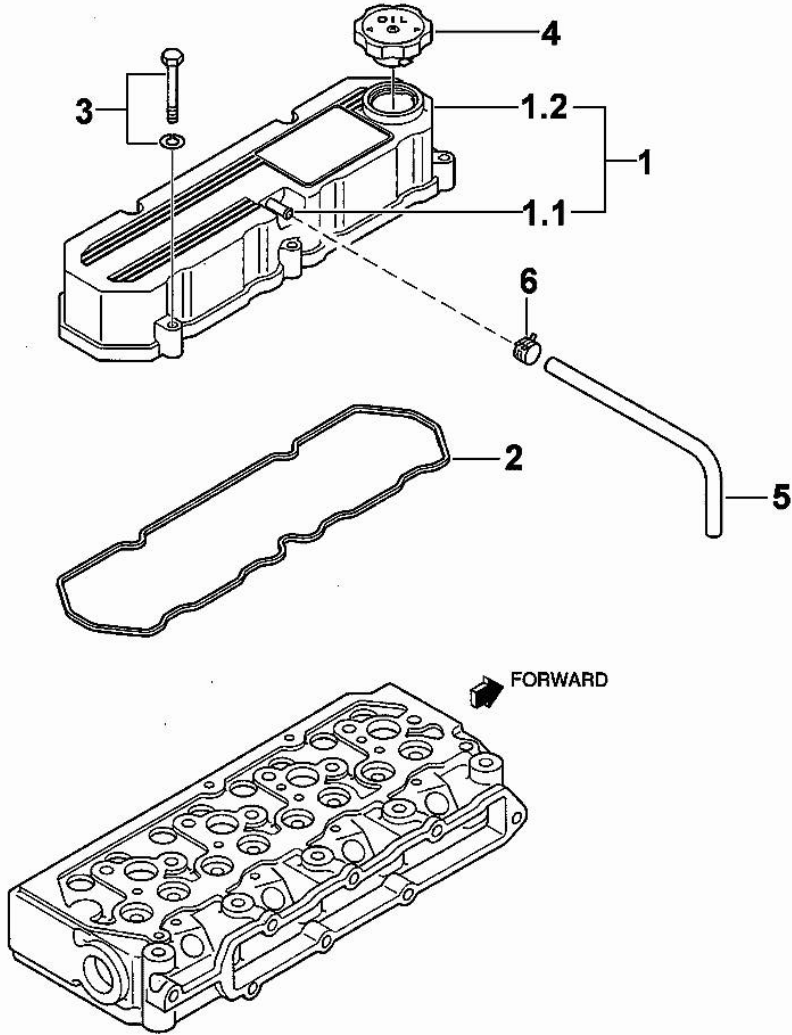
Enter the link into your browser.

The full manual is available for immediate download.

**<https://www.ebooklibonline.com>**

**CYLINDER HEAD**

Fig.	P/n	QTY	Name
1	0.010.2647.1	1	cover
1.1	0.000.0000.1		cannot be supplied
1.2	0.000.0000.1		cannot be supplied
2	0.010.2647.2	1	gasket
3	0.010.2645.2	5	screw
4	0.009.4548.0	1	plug
5	0.009.4781.2	1	tube
6	0.010.2206.0	1	clamp

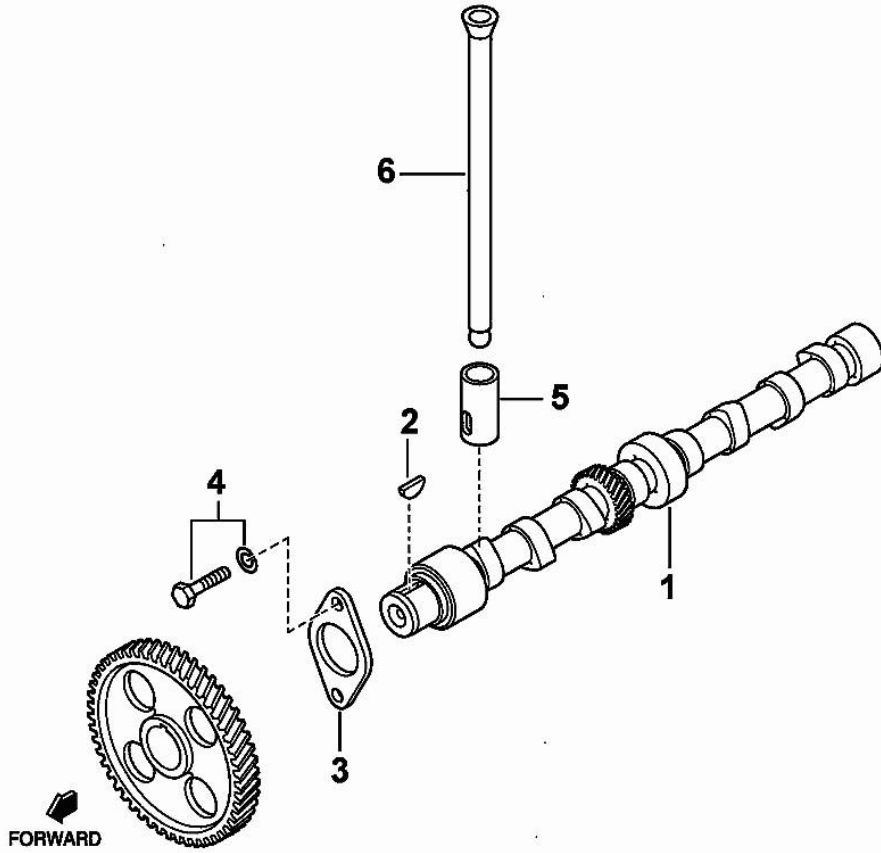


MIT\_H36\_006-A-001

01031-015E

**CAMSHAFT**

Fig.	P/n	QTY	Name
1	0.010.3949.2	1	camshaft
2	0.009.4555.1	1	key
3	0.010.3950.0	1	small plate
4	0.010.2639.1	2	screw
5	0.010.3950.1	8	tappets
6	0.010.2646.2	8	rod

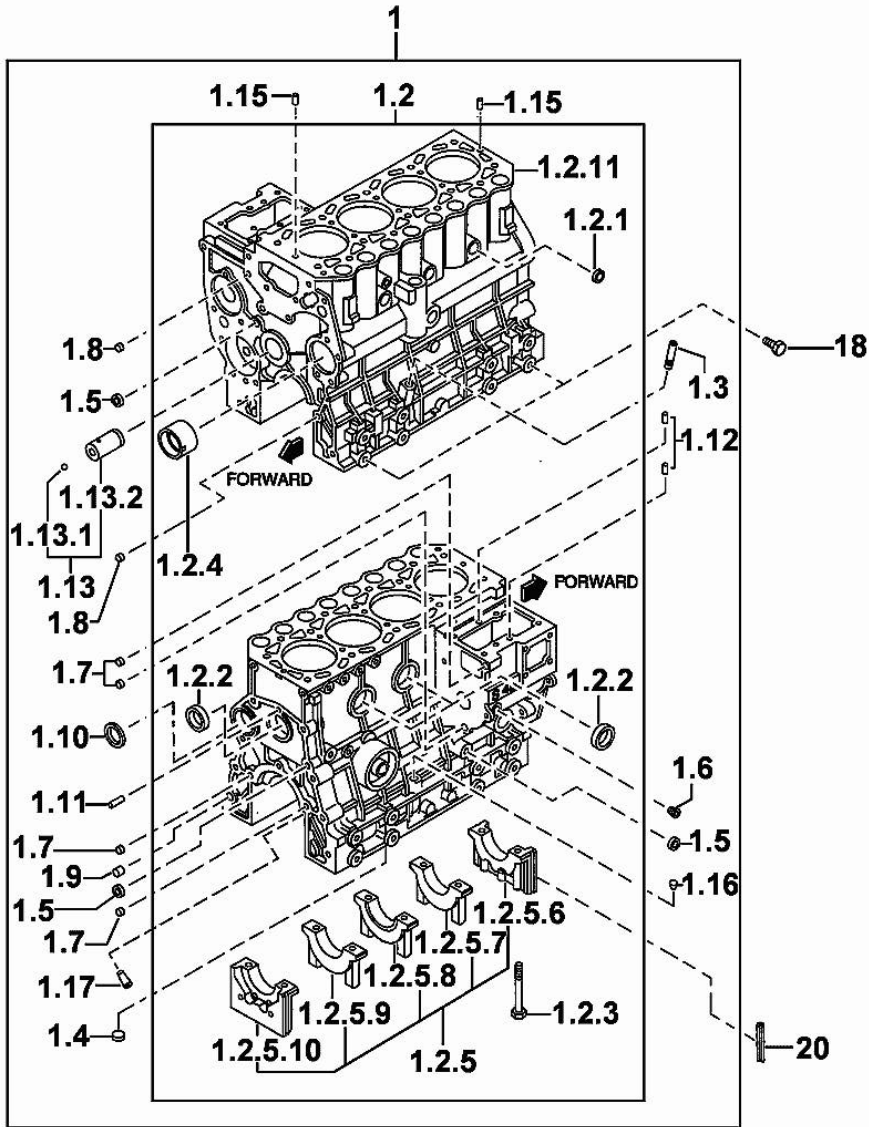


01031-016E

MIT\_H36\_007-A-001

**CRANKCASE**

Fig.	P/n	QTY	Name
1	0.010.3986.2	1	crankcase
1.2	0.000.0000.1		cannot be supplied
1.2.1	0.010.2652.1	3	special bushing
1.2.2	0.010.2652.2	3	special bushing
1.2.3	0.010.2653.0	10	screw
1.2.4	0.010.2653.1	1	special bushing
1.2.5	0.000.0000.1		cannot be supplied
1.2.5.6	0.000.0000.1		cannot be supplied
1.2.5.7	0.000.0000.1		cannot be supplied
1.2.5.8	0.000.0000.1		cannot be supplied
1.2.5.9	0.000.0000.1		cannot be supplied
1.2.5.10	0.000.0000.1		cannot be supplied
1.2.11	0.000.0000.1		cannot be supplied
1.3	0.009.4523.2	1	guide
1.4	0.010.2649.0	1	plug
1.5	0.010.2649.1	3	special bushing
1.6	0.009.4545.1	1	plug
1.7	0.009.4524.2	4	special bushing
1.8	0.009.4525.1	2	special bushing
1.9	0.009.4525.2	1	special bushing
1.10	0.009.4524.1	1	expansion plug
1.11	0.010.3951.0	1	pin
1.12	0.009.4523.0	2	pin
1.13	0.010.2650.0	1	pin
1.13.1	0.010.2650.1	1	ball
1.13.2	0.000.0000.1		cannot be supplied
1.15	0.010.2651.0	2	pin
1.16	0.010.2651.1	1	plug
1.17	0.010.3961.2	4	sprayers
18	0.010.2648.1	4	screw
20	0.010.2651.2	4	gasket



MIT\_H36\_010-A-001

01041-019E 47CV

**MAIN BEARINGS**

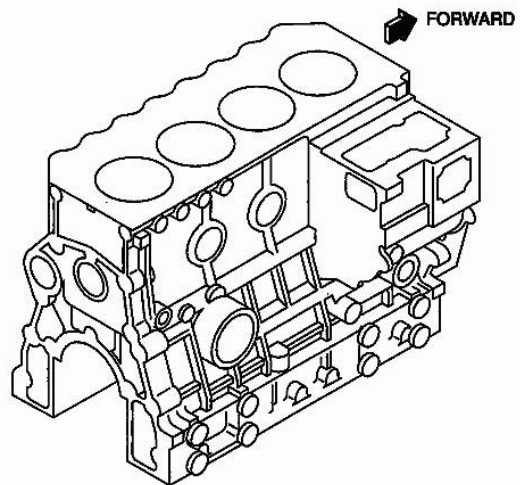
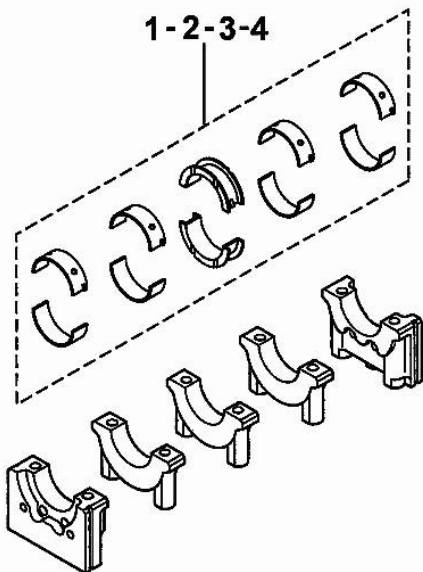


Fig.	P/n	QTY	Name
1	0.010.2656.2	1	main half bushing STANDARD
2	0.010.2657.0	1	main half bushing - mm 0.25
3	0.010.2657.1	1	main half bushing - mm 0.50
4	0.010.2657.2	1	main half bushing - mm 0.75



MIT\_H36\_012-A-001

0104B1-001E

**TIMING CASE**

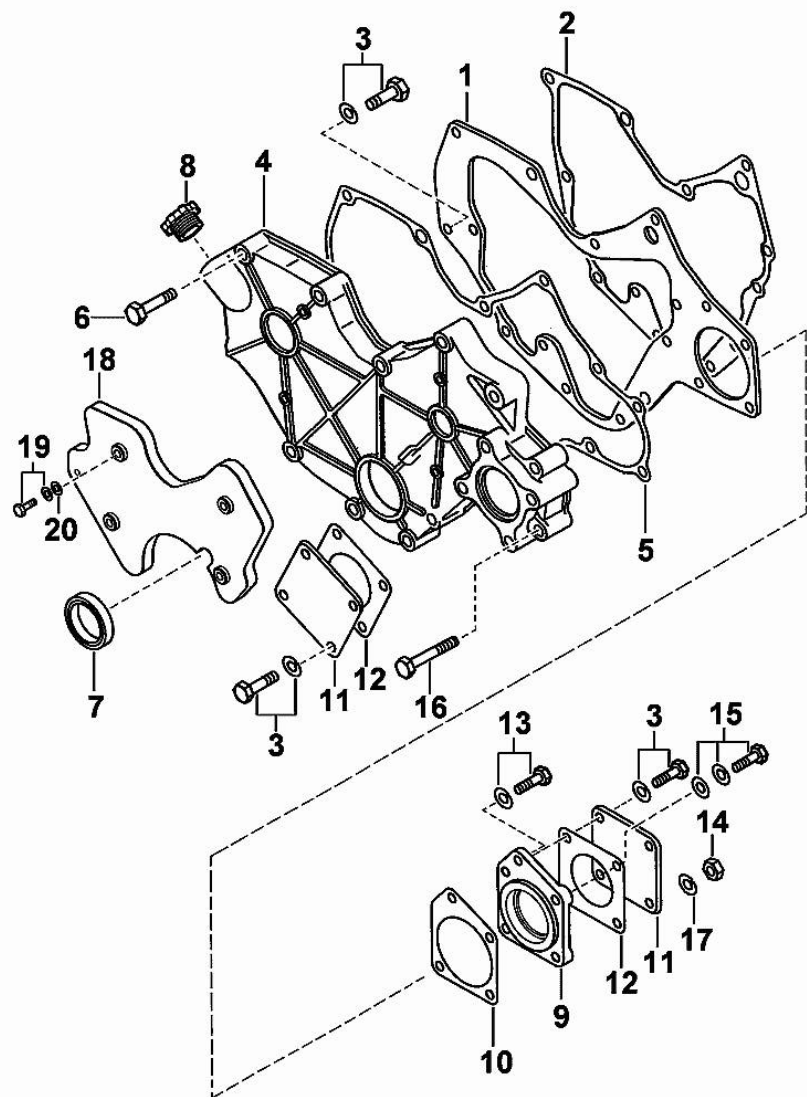


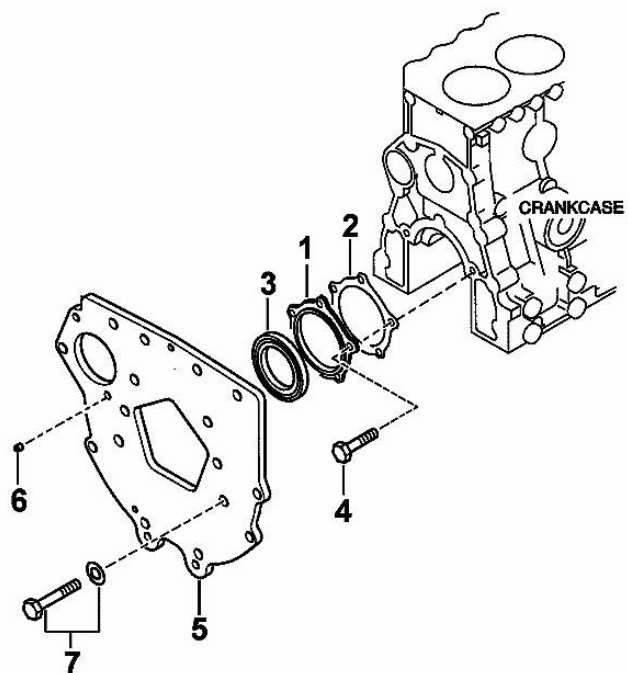
Fig.	P/n	QTY	Name
1	0.010.2658.0	1	plate
2	0.010.2658.1	1	gasket
3	0.010.2639.1	10	screw
4	0.010.3951.1	1	flange
5	0.010.2659.0	1	gasket
6	0.010.2659.1	8	screw
7	0.009.4537.0	1	gasket
8	0.010.3951.2	1	plug
9	0.010.2660.0	1	flange
10	0.010.2660.1	1	gasket
11	0.009.4756.0	2	cover
12	0.010.3952.0	2	gasket
13	0.010.2661.0	1	screw
14	0.010.2661.1	2	nut
15	0.010.3952.1	1	screw
16	0.010.3952.2	2	screw
17	0.009.4539.2	2	spring washer
18	0.010.3953.0	1	cover
19	0.010.2662.2	4	screw
20	0.010.2663.0	4	washer

MIT\_H36\_013-A-001

01051-018

**FLYWHEEL HOUSING**

Fig.	P/n	QTY	Name
1	0.010.2654.2	1	flange
2	0.010.2655.0	1	gasket
3	0.010.2655.1	1	special oil seal
4	0.010.2655.2	5	screw
5	0.010.3953.1	1	flange
6	0.009.4532.2	1	pin
7	0.010.3953.2	10	screw

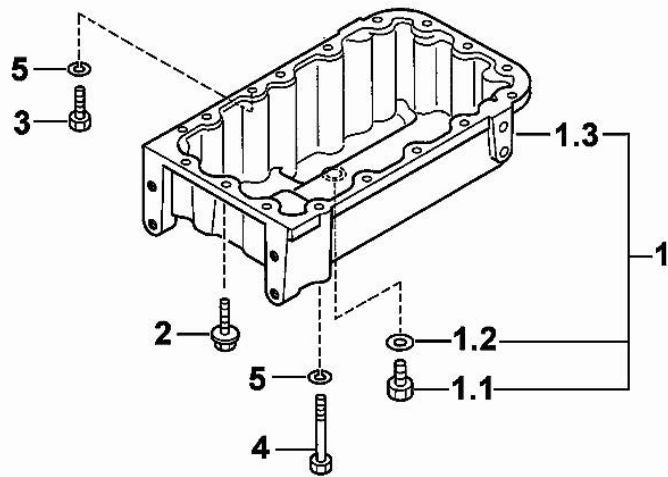
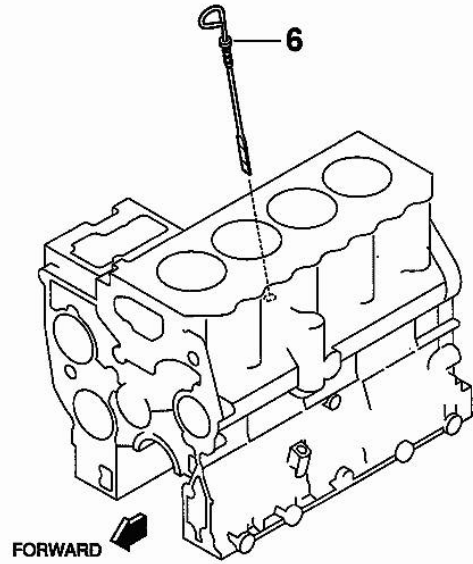


MIT\_H36\_014-A-001

01061-019E

**OIL PAN**

Fig.	P/n	QTY	Name
1	0.010.3954.0	1	oil sump
1.1	0.010.2664.0	1	plug
1.2	0.010.2663.2	1	gasket
1.3	0.000.0000.1		cannot be supplied
2	0.010.3954.1	12	screw
3	0.010.2664.2	1	screw
4	0.010.2665.0	4	screw
5	0.010.2665.1	5	washer
6	0.010.2687.1	1	dipstick



MIT\_H36\_015-A-001

01071-038E

**PISTON - CONNECTING ROD**

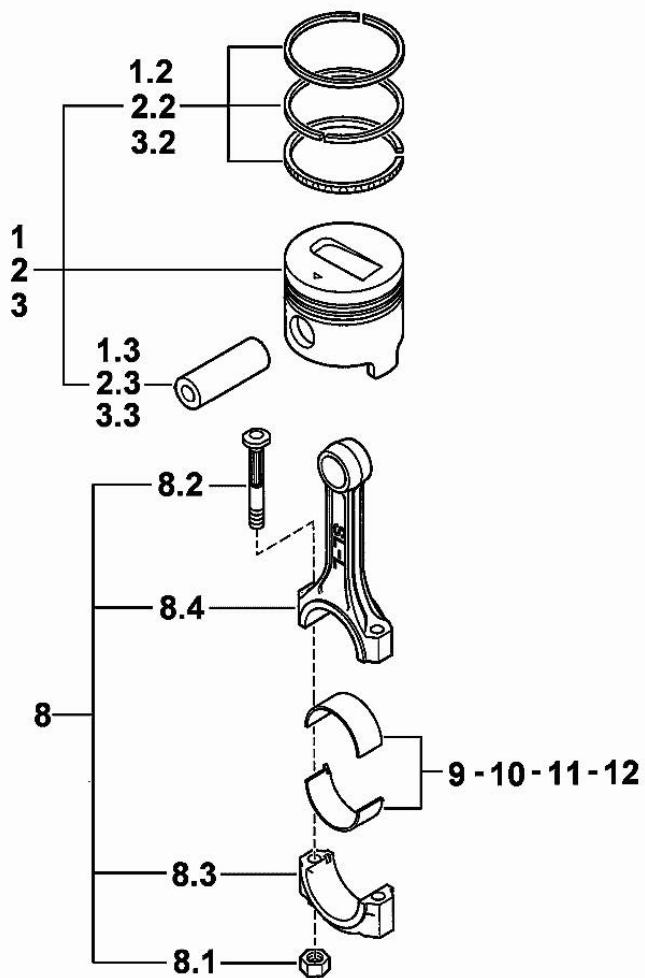


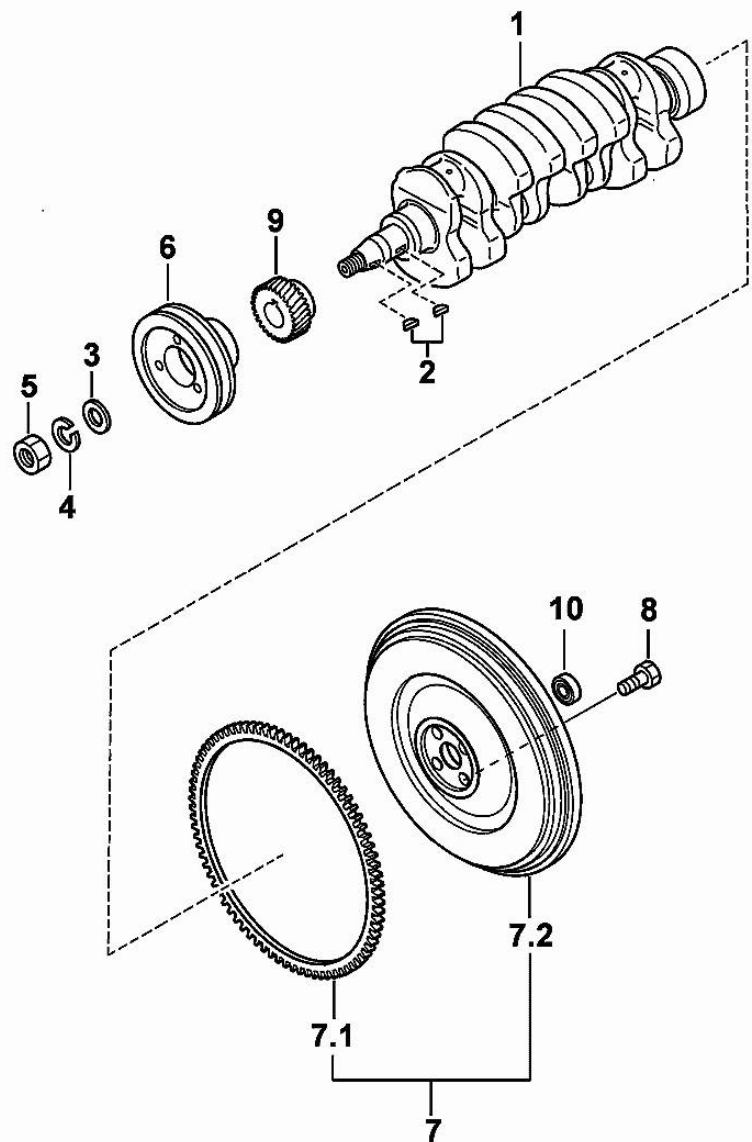
Fig.	P/n	QTY	Name
1	0.M88.0060.6	4	complete piston STANDARD
1.2	0.008.0052.6	4	piston ring set STANDARD
1.3	0.010.2668.0	4	piston pin
2	0.M88.0061.6	4	complete piston + mm 0.25
2.2	0.008.0053.6	4	piston ring set + mm 0.25
2.3	0.010.2668.0	4	piston pin
3	0.M88.0062.6	4	complete piston + mm 0.50
3.2	0.008.0054.6	4	piston ring set + mm 0.50
3.3	0.010.2668.0	4	piston pin
8	0.010.3988.0	4	engine connecting rod
8.1	0.009.4783.0	8	nut
8.2	0.010.2668.2	8	screw
8.3	0.000.0000.1		cannot be supplied
8.4	0.000.0000.1		cannot be supplied
9	0.009.4782.1	4	con.rod half bushing STANDARD
10	0.010.2669.0	4	con.rod half bushing - mm 0.25
11	0.010.2669.1	4	con.rod half bushing - mm 0.50
12	0.010.2669.2	4	con.rod half bushing - mm 0.75

MIT\_H36\_018-A-001

0108A1-002 47CV

**CRANKSHAFT - FLYWHEEL**

Fig.	P/n	QTY	Name
1	0.010.3988.1	1	crankshaft
2	0.009.4555.1	2	key
3	0.009.4554.2	1	flat washer
4	0.009.4555.0	1	spring washer
5	0.009.4554.1	1	nut
6	0.010.2672.2	1	pulley
7	0.010.3954.2	1	flywheel
7.1	0.010.2671.0	1	crown wheel Z=110
7.2	0.000.0000.1		cannot be supplied
8	0.009.4557.0	4	screw
9	0.010.3955.0	1	gear Z = 28
10	0.009.4556.1	1	special bearing

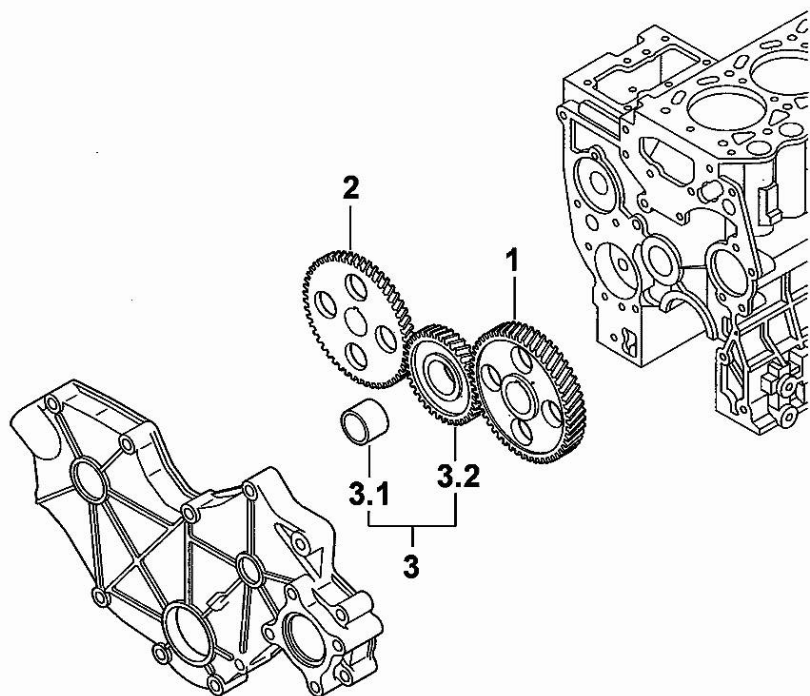


MIT\_H36\_020-A-001

0108B1-021 47CV

**CAMSHAFT**

Fig.	P/n	QTY	Name
1	0.010.3955.1	1	gear z=56
2	0.010.3955.2	1	gear z=56
3	0.010.3956.0	1	gear z=39
3.1	0.000.0000.1		cannot be supplied
3.2	0.000.0000.1		cannot be supplied



MIT\_H36\_021-A-001

01091-020E



**Suggest:**

**For more complete manuals. Please go to the home page.**

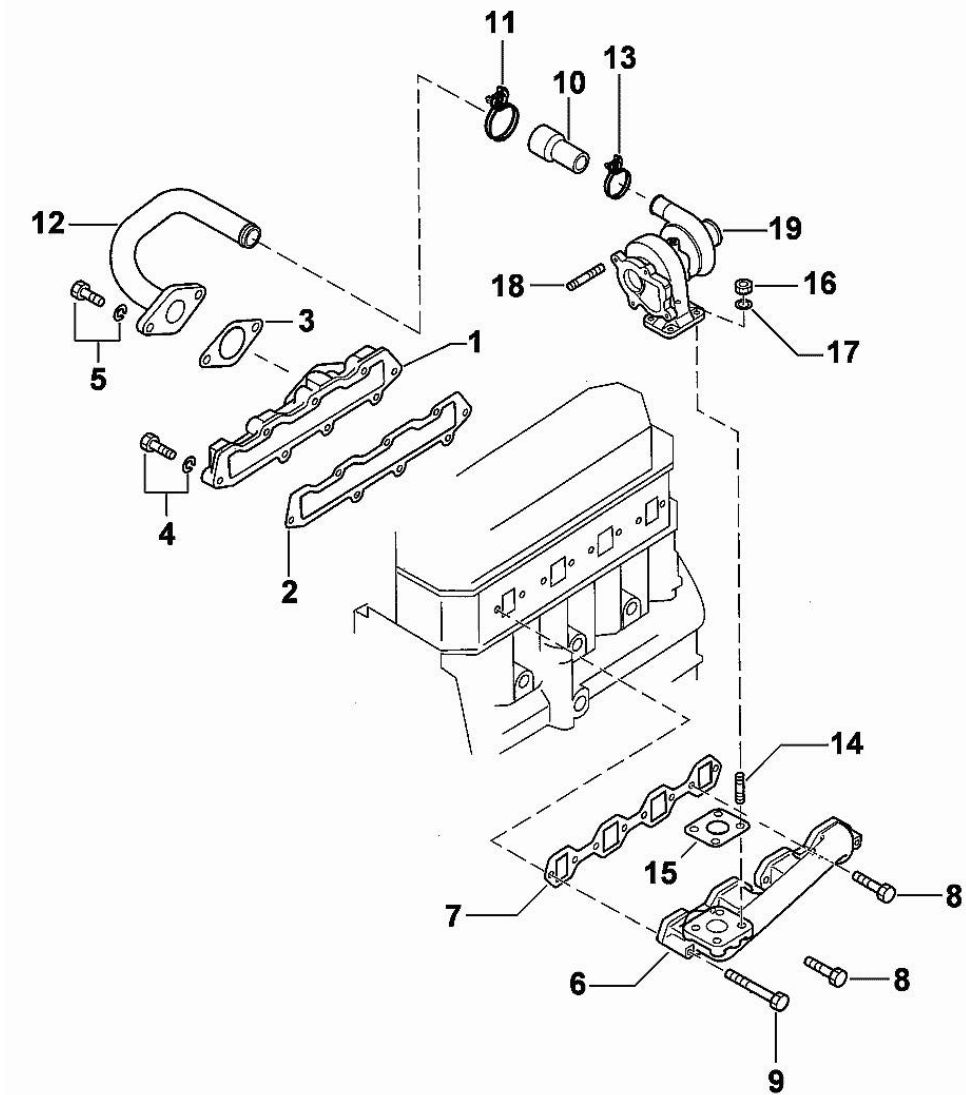
**<https://www.ebooklibonline.com>**

**If the above button click is invalid. Please download this document first, and then click the above link to download the complete manual.**

**Thank you so much for reading**

**INTAKE AND EXHAUST**

Fig.	P/n	QTY	Name
1	0.010.3975.0	1	cover
2	0.010.3975.1	1	gasket
3	0.010.2676.2	1	gasket
4	0.010.2677.0	8	screw
5	0.010.2677.1	2	screw
6	0.010.3975.2	1	exhaust manifold
7	0.010.2680.1	1	gasket
8	0.010.3956.2	6	screw
9	0.010.3957.0	2	screw
10	0.010.3976.0	1	sleeve
11	0.010.3993.0	1	clamp
12	0.010.3973.1	1	tube
13	0.010.3976.1	1	clamp
14	0.009.4796.1	4	stud bolt
15	0.010.3976.2	1	gasket
16	0.009.4799.2	4	nut
17	0.009.4842.0	4	flat washer
18	0.009.4842.1	4	stud bolt
19	0.010.3977.0		turbo charger

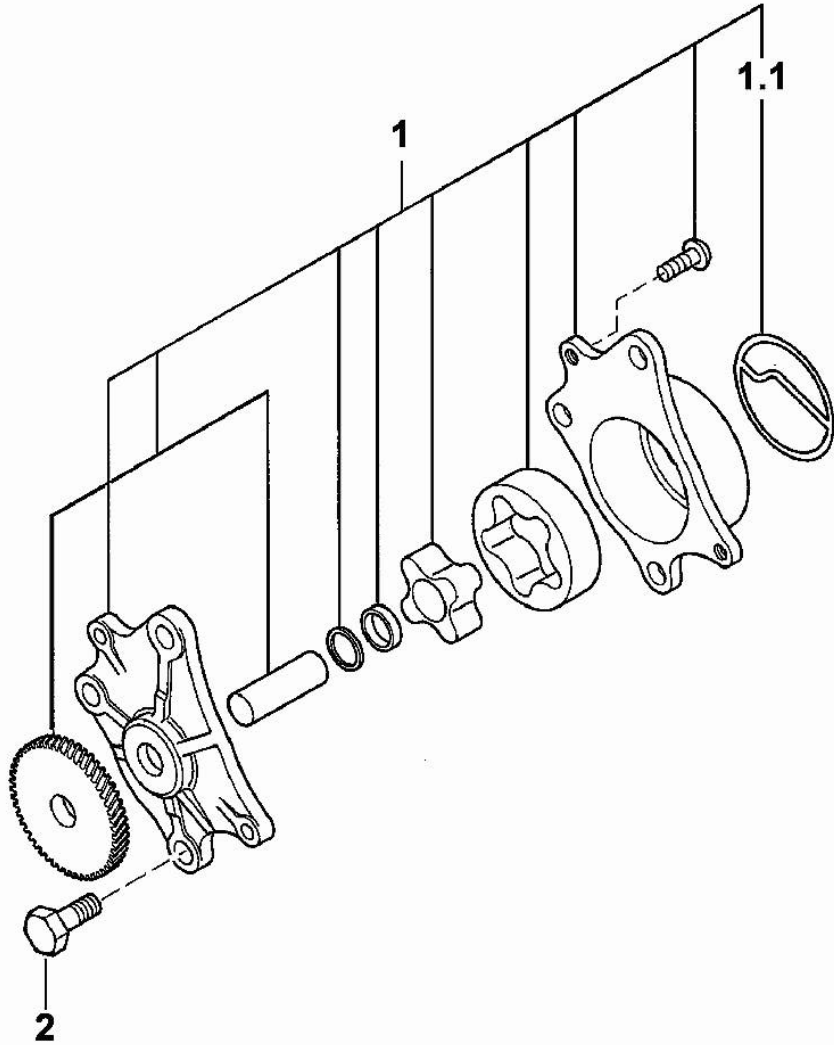


MIT\_H36\_024-A-001

02011-034E

**OIL PUMP**

Fig.	P/n	QTY	Name
1	0.010.2684.2	1	oil pump
1.1	0.010.2685.0	1	gasket
2	0.010.2685.1	3	screw



03011-001E

MIT\_H36\_025-A-001

**<https://www.ebooklibonline.com>**

Hello dear friend!

Thank you very much for reading.

Enter the link into your browser.

The full manual is available for immediate download.

**<https://www.ebooklibonline.com>**