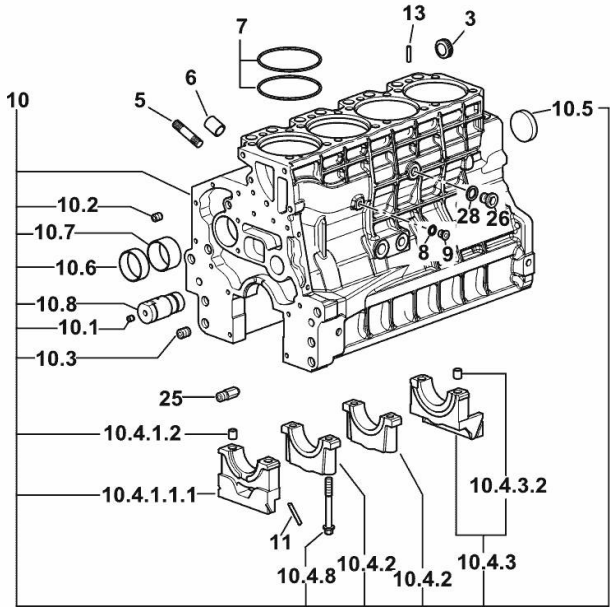


Section: B0 - ENGINE
CRANKCASE



19_Q5011_00_0-A-001

| Fig. | P/n | QTY | Name |
|---|-----------------|-----|------------------------------|
| Notes: | | | |
| [Joker 75.4 2WD ->H10S704WXE15001] [Joker 75.4 4WD ->H10S704WXE15001] | | | |
| 3 | 2.3199.312.2/20 | 1 | plug m 35x1.5x9.5 |
| 5 | 2.0439.279.7 | 8 | stud bolt m 8 p.1 x 25 |
| 6 | 2.1559.188.2 | 4 | bush 11.4 x 14 x16 |
| 7 | 2.1539.259.0 | 8 | special oil seal 107.62x2.62 |
| 8 | 2.1560.010.0 | 1 | gasket 14.2 x 20 |
| 9 | 2.3199.292.0 | 1 | plug 1/4" gas |
| 10 | 0.014.9655.4/30 | 1 | crankcase |
| 10.1 | 2.3130.001.1 | 14 | plug 1/8" gas |
| 10.2 | 2.3130.002.1 | 4 | plug 1/4" gas |
| 10.3 | 2.3130.003.1 | 6 | plug 3/8" gas |
| 10.4.1.1.1 | 0.065.1112.7/10 | 1 | support |
| 10.4.1.2 | 2.1699.165.0 | 1 | bush 12.3x15x16 |
| 10.4.2 | 0.065.1114.0/10 | 3 | support |
| 10.4.3 | 0.065.1116.3 | 1 | support |
| 10.4.3.2 | 2.1699.165.0 | 1 | bush 12.3x15x16 |
| 10.4.8 | 0.065.1117.0 | 10 | screw m 12 x 100 |
| 10.5 | 2.3179.012.0 | 1 | plug 60 |
| 10.6 | 0.065.1140.0 | 4 | special bushing 59X55X20 |
| 10.7 | 0.065.1141.0 | 1 | special bushing 59X55X30 |
| 10.8 | 0.014.1340.0/10 | 1 | pin mm 85 |
| 11 | 0.066.1152.0/10 | 4 | gasket |
| 13 | 2.1549.154.2 | 4 | bush 4.8x5.8x16 |
| 25 | 0.013.4946.0/10 | 1 | sprayer nozzle |
| 26 | 2.3120.101.0 | 1 | plug m 18 p.1.5 |
| 28 | 2.1560.014.0 | 1 | washer 18.2 x 24 |

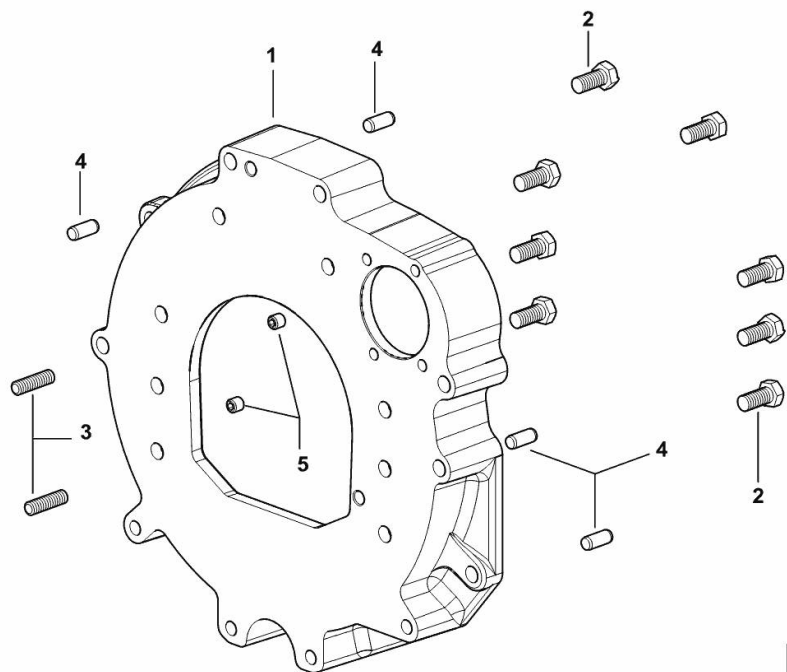
MONOBLOC ENGINE-GEARBOX CONNECTING FLANGE

| Fig. | P/n | QTY | Name |
|------|-----|-----|------|
|------|-----|-----|------|

Notes:

[Joker 75.4 2WD ->H10S704WXE15001] [Joker 75.4 4WD ->H10S704WXE15001]

| | | | |
|---|--------------|---|-------------------------------|
| 1 | 0.015.8814.0 | 1 | flange |
| 2 | 2.0112.511.2 | 8 | screw m 14 p.2 x 30 |
| 3 | 2.0432.255.7 | 2 | stud bolt m 12 p.1.75-1.25x25 |
| 4 | 2.1651.912.0 | 4 | cylindrical plug 12x28 |
| 5 | 2.0512.404.7 | 2 | screw |



I9_38511_01_0-A-001

FITTING FOR ENGINE OIL PRESSURE SWITCH

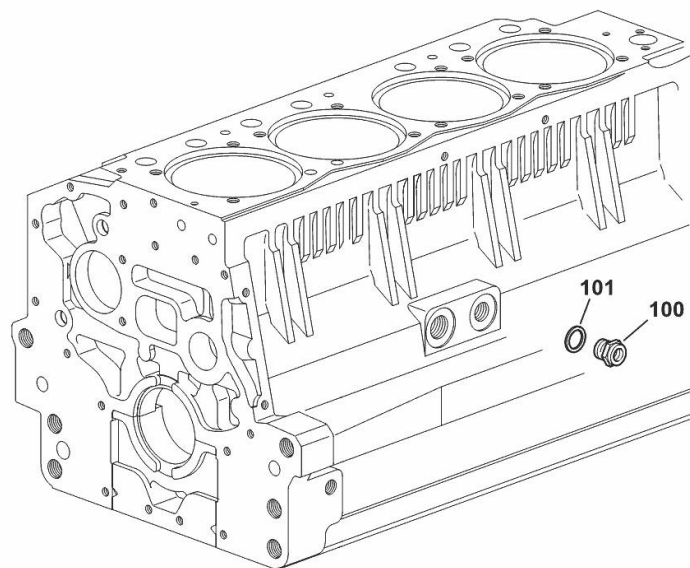
| Fig. | P/n | QTY | Name |
|------|-----|-----|------|
|------|-----|-----|------|

Notes:

[Joker 75.4 2WD ->H10S704WXE15001] [Joker 75.4 4WD ->H10S704WXE15001]

| | | | |
|-----|-----------------|---|--------------------------------|
| 100 | 2.3339.353.2/20 | 1 | pipe fitting 12 p.1.5-18 p.1.5 |
| 101 | 2.1560.014.0 | 1 | washer 18.2 x 24 |

19_37615_12_0-A-00



<https://www.ebooklibonline.com>

Hello dear friend!

Thank you very much for reading.

Enter the link into your browser.

The full manual is available for immediate download.

<https://www.ebooklibonline.com>

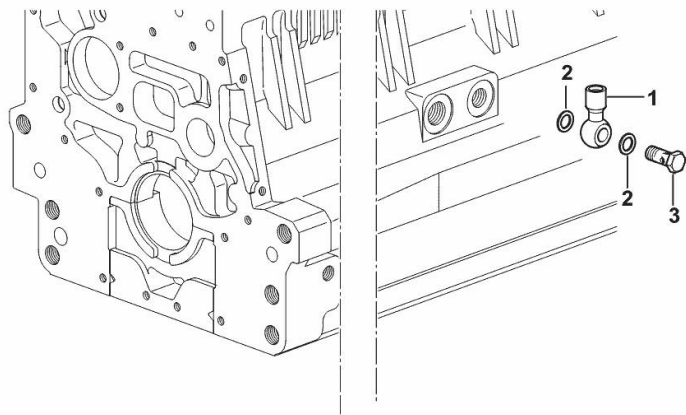
FITTING FOR ENGINE OIL PRESSURE SWITCH

| Fig. | P/n | QTY | Name |
|------|-----|-----|------|
|------|-----|-----|------|

Notes:

[Joker 75.4 2WD ->H10S704WXE15001] [Joker 75.4 4WD ->H10S704WXE15001]

| | | | |
|---|--------------|---|-------------------------|
| 1 | 2.3249.014.2 | 1 | pipe fitting m 12 p.1.5 |
| 2 | 2.1560.008.0 | 3 | gasket 12.2 x 18 |
| 3 | 2.3335.052.2 | 1 | pipe union m 12 p.1.5 |



19_37615_07_0-A-001

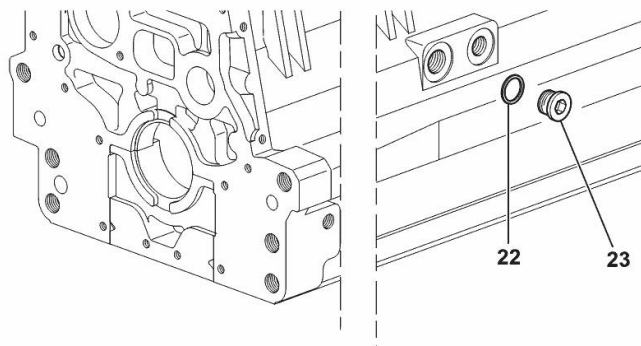
SIDE PLUG FOR CYLINDER BLOCK

| Fig. | P/n | QTY | Name |
|------|-----|-----|------|
|------|-----|-----|------|

Notes:

[Joker 75.4 2WD ->H10S704WXE15001] [Joker 75.4 4WD ->H10S704WXE15001]

| | | | |
|----|--------------|---|------------------|
| 22 | 2.1560.017.0 | 1 | gasket 22.2 x 27 |
| 23 | 2.3120.002.4 | 1 | plug m 22 x 1.5 |



I9_33211_07_0-A-001

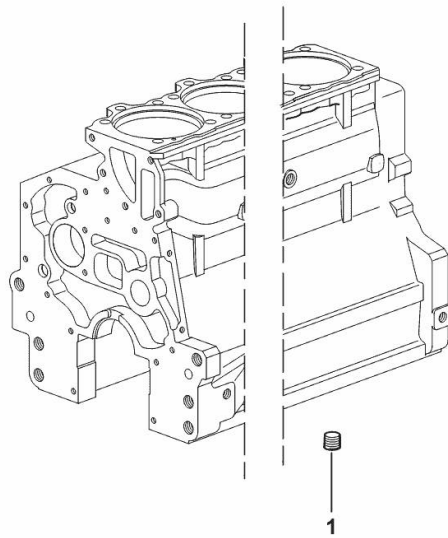
LOWER PLUG FOR CYLINDER BLOCKS

| Fig. | P/n | QTY | Name |
|------|-----|-----|------|
|------|-----|-----|------|

Notes:

[Joker 75.4 2WD ->H10S704WXE15001] [Joker 75.4 4WD ->H10S704WXE15001]

| | | | |
|---|--------------|---|---------------|
| 1 | 2.3130.003.1 | 2 | plug 3/8" gas |
|---|--------------|---|---------------|



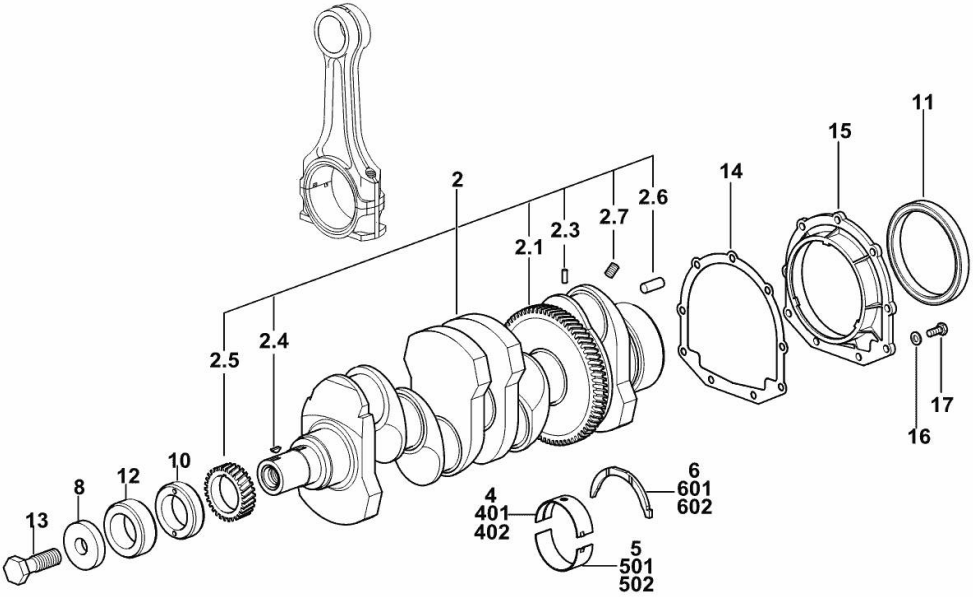
19_37511_06_0-A-001

CRANKSHAFT

| Fig. | P/n | QTY | Name |
|------|-----|-----|------|
|------|-----|-----|------|

Notes:

[Joker 75.4 2WD ->H10S704WXE15001] [Joker 75.4 4WD ->H10S704WXE15001]



| | | | |
|-----|-----------------|---|-----------------------------|
| 2 | 0.086.1210.3/40 | 1 | crankshaft |
| 2.1 | 0.065.1211.0/10 | 1 | crown wheel |
| 2.3 | 2.1630.608.0 | 1 | pin 6x16 |
| 2.4 | 2.1720.006.0 | 1 | key 4x6.5 |
| 2.5 | 0.065.1323.0/30 | 1 | gear Z = 29 |
| 2.6 | 2.1651.915.0 | 1 | pin 12x35 |
| 2.7 | 2.3130.001.1 | 4 | plug 1/8" gas |
| 4 | 0.065.1215.0/10 | 5 | main half bushing STANDARD |
| 5 | 0.065.1216.0/10 | 5 | main half bushing STANDARD |
| 6 | 0.065.1218.0 | 4 | shim STANDARD |
| 8 | 2.1599.524.7 | 1 | washer 21x60x12 |
| 10 | 0.085.1248.0/20 | 1 | hub |
| 11 | 2.1529.073.0 | 1 | special oil seal 110x130x13 |
| 12 | 0.014.7054.0 | 1 | spacer |
| 13 | 2.0399.144.7/10 | 1 | screw m 20 p.1.5x51 |
| 14 | 0.065.1254.0/20 | 1 | gasket |
| 15 | 0.007.1711.0/10 | 1 | cover |
| 16 | 2.1475.002.2 | 9 | conical washer 8 |
| 17 | 2.0112.207.2 | 9 | screw m 8 p 1.25 x 20 |
| 401 | 0.065.1215.7 | 1 | main half bushing - mm 0.25 |
| 402 | 0.065.1215.8 | 1 | main half bushing - mm 0.50 |
| 501 | 0.065.1216.7 | 1 | main half bushing - mm 0.25 |
| 502 | 0.065.1216.8 | 1 | main half bushing - mm 0.50 |
| 601 | 0.065.1218.7 | 1 | shim + mm 0.10 |
| 602 | 0.065.1218.8 | 1 | shim + mm 0.15 |

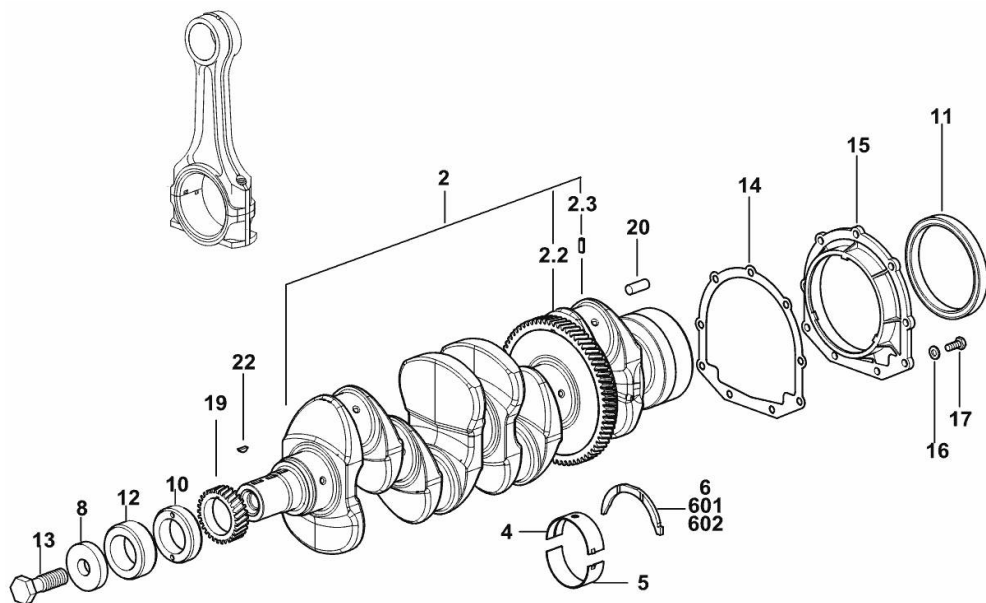
19_M7612_00_0-A-001

CRANKSHAFT

| Fig. | P/n | QTY | Name |
|------|-----|-----|------|
|------|-----|-----|------|

Notes:

[Joker 75.4 2WD ->H10S704WXE15001] [Joker 75.4 4WD ->H10S704WXE15001]



| | | | |
|-----|-----------------|---|-----------------------------|
| 2 | 0.021.8246.3 | 1 | crankshaft |
| 2.2 | 0.065.1211.0/10 | 1 | crown wheel |
| 2.3 | 2.1630.608.0 | 1 | pin 6x16 |
| 4 | 0.019.5455.0 | 5 | main half bushing STANDARD |
| 5 | 0.019.5456.0 | 5 | main half bushing STANDARD |
| 6 | 0.065.1218.0 | 4 | shim STANDARD |
| 8 | 2.1599.524.7 | 1 | washer 21x60x12 |
| 10 | 0.085.1248.0/20 | 1 | hub |
| 11 | 2.1529.073.0 | 1 | special oil seal 110x130x13 |
| 12 | 0.014.7054.0 | 1 | spacer |
| 13 | 2.0399.144.7/10 | 1 | screw m 20 p.1.5x51 |
| 14 | 0.065.1254.0/20 | 1 | gasket |
| 15 | 0.007.1711.0/10 | 1 | cover |
| 16 | 2.1475.002.2 | 9 | conical washer 8 |
| 17 | 2.0112.207.2 | 9 | screw m 8 p 1.25 x 20 |
| 19 | 0.065.1323.0/30 | 1 | gear Z = 29 |
| 20 | 2.1651.915.0 | 1 | pin 12x35 |
| 22 | 2.1720.006.0 | 1 | key 4x6.5 |
| 601 | 0.065.1218.7 | | shim + mm 0.10 |
| 602 | 0.065.1218.8 | | shim + mm 0.15 |

19_M7612_00_0-A-002

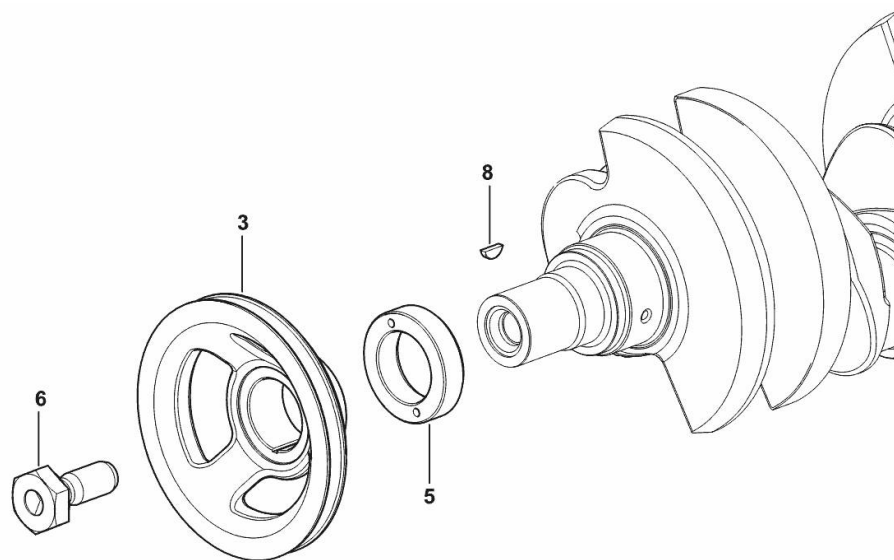
CRANKSHAFT PULLEY

| Fig. | P/n | QTY | Name |
|------|-----|-----|------|
|------|-----|-----|------|

Notes:

[Joker 75.4 2WD ->H10S704WXE15001] [Joker 75.4 4WD ->H10S704WXE15001]

| | | | |
|---|-----------------|---|---------------------|
| 3 | 0.007.1457.0/30 | 1 | pulley |
| 5 | 0.085.1248.0/20 | 1 | hub |
| 6 | 2.0399.144.7/10 | 1 | screw m 20 p.1.5x51 |
| 8 | 2.1720.006.0 | 1 | key 4x6.5 |



19_33312_02_0-A-001

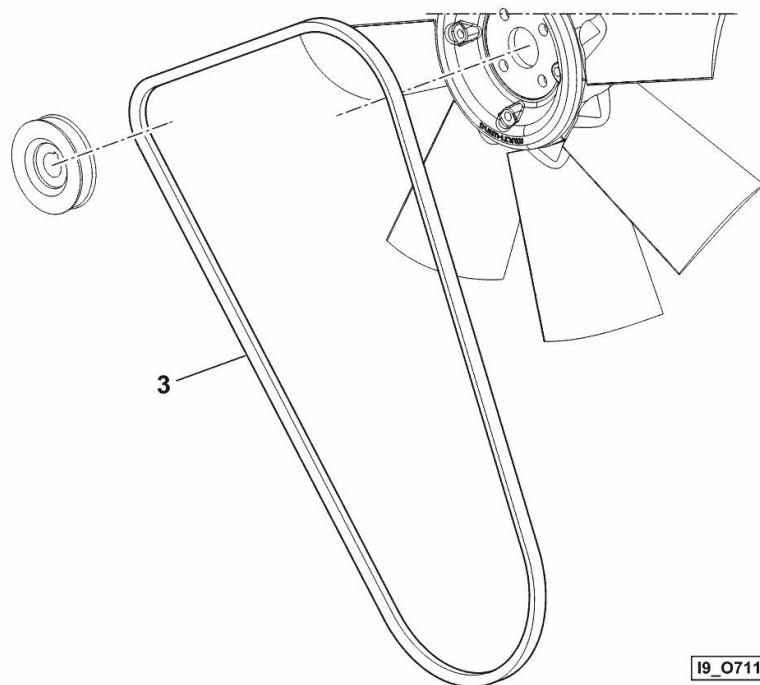
BELT

| Fig. | P/n | QTY | Name |
|------|-----|-----|------|
|------|-----|-----|------|

Notes:

[Joker 75.4 2WD ->H10S704WXE15001] [Joker 75.4 4WD ->H10S704WXE15001]

| | | | |
|---|--------------|---|--------------------------|
| 3 | 2.4119.198.0 | 1 | vee belt AV 10.7x1240 mm |
|---|--------------|---|--------------------------|



19_O7119_11_0-B-001

ENGINE FLYWHEEL

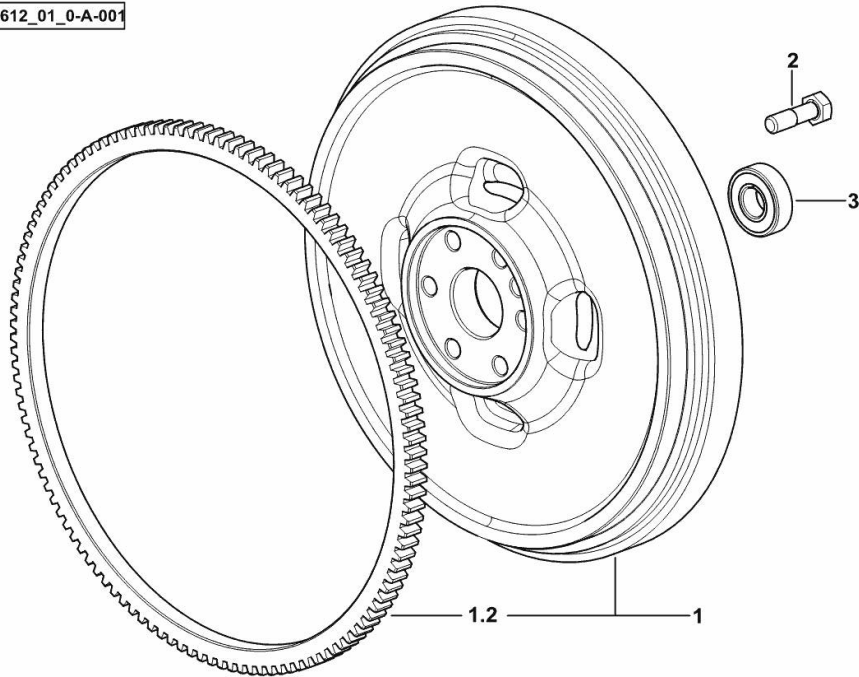
| Fig. | P/n | QTY | Name |
|------|-----|-----|------|
|------|-----|-----|------|

Notes:

[Joker 75.4 2WD ->H10S704WXE15001] [Joker 75.4 4WD ->H10S704WXE15001]

| | | | |
|-----|-----------------|---|-----------------------|
| 1 | 0.017.7896.3 | 1 | flywheel |
| 1.2 | 0.065.1242.0 | 1 | crown wheel Z = 123 |
| 2 | 2.0119.174.0/10 | 6 | screw m 12 p.1.25x45 |
| 3 | 2.2041.008.9 | 1 | ball bearing 20x47x14 |

19_Q5612_01_0-A-001

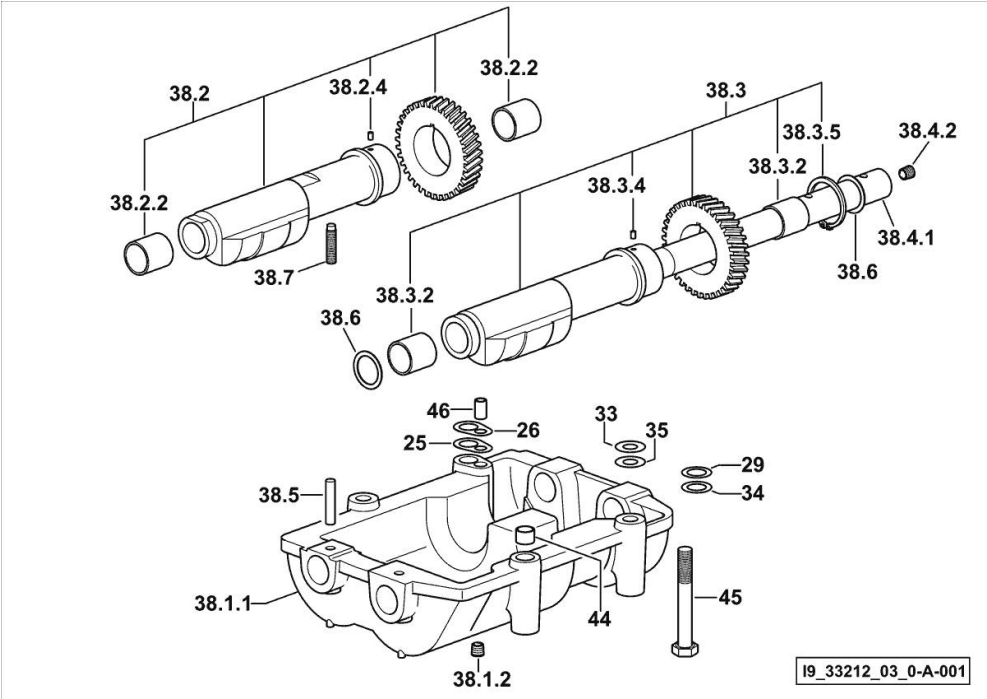


Section: B0 - ENGINE
COUNTERWEIGHTS

| Fig. | P/n | QTY | Name |
|------|-----|-----|------|
|------|-----|-----|------|

Notes:
 [Joker 75.4 2WD ->H10S704WXE15001] [Joker 75.4 4WD ->H10S704WXE15001]

| | | | |
|--------|-----------------|---|---------------------------|
| 25 | 2.1589.139.0 | 1 | shoulder ring mm 0.3 |
| 26 | 2.1589.140.0 | 3 | shoulder ring mm 0.1 |
| 29 | 2.1579.628.0 | 3 | spacer 16.5x26x0.1 |
| 33 | 2.1579.629.0 | 6 | spacer 12.5x26x0.1 |
| 34 | 2.1589.048.0 | 1 | shoulder ring 16.5x26x0.3 |
| 35 | 2.1589.049.0 | 1 | shoulder ring 12.5x26x0.3 |
| 38.1.1 | 0.086.1231.0/10 | 1 | box |
| 38.1.2 | 2.3130.001.1 | 4 | plug 1/8" gas |
| 38.2 | 0.086.1233.3/30 | 1 | mass sx/lh/li |
| 38.2.2 | 2.1559.115.0 | 2 | special bushing 26x30x30 |
| 38.2.4 | 2.1651.302.0 | 1 | roll pin 4x6 |
| 38.3 | 0.065.1233.3/30 | 1 | mass dx/rh/re |
| 38.3.2 | 2.1559.115.0 | 2 | special bushing 26x30x30 |
| 38.3.4 | 2.1651.302.0 | 1 | roll pin 4x6 |
| 38.3.5 | 2.1410.018.1 | 1 | circlip 45 |
| 38.4.1 | 0.065.1234.0/10 | 1 | shaft |
| 38.4.2 | 2.3130.001.1 | 1 | plug 1/8" gas |
| 38.5 | 2.1631.717.0 | 2 | roll pin 8 x 40 |
| 38.6 | 2.1589.185.0 | 4 | shoulder ring 26.1x34x1 |
| 38.7 | 2.0522.212.7 | 1 | screw m 8 p.1.25 x 30 |
| 44 | 2.1579.626.0 | 2 | spacer 13.2x16x11 |
| 45 | 2.0139.028.2 | 4 | screw m 12 |
| 46 | 2.1699.191.0 | 1 | bush 7x10x16 |



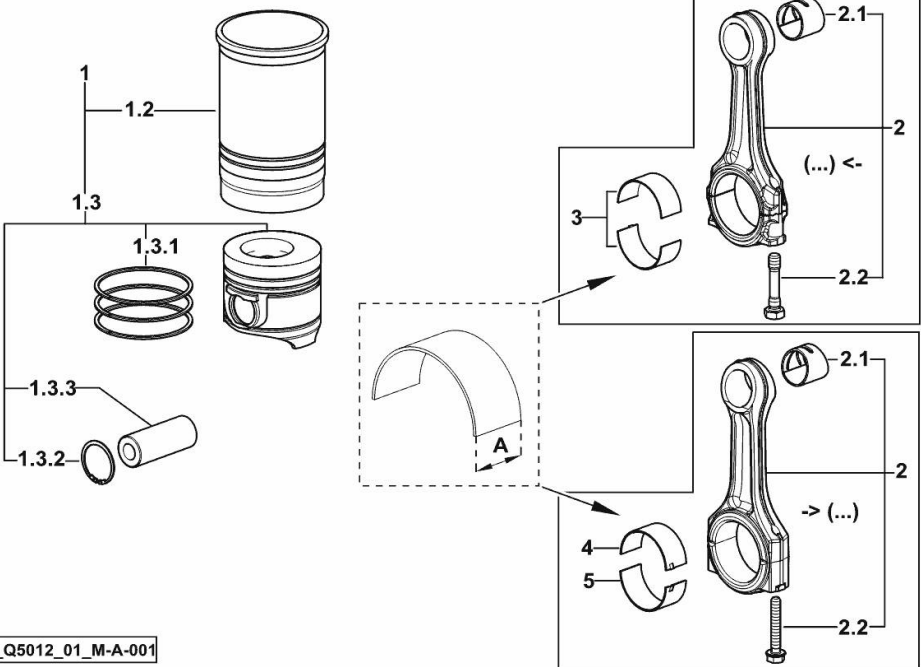
CYLINDER - PISTON - CONNECTING ROD

| Fig. | P/n | QTY | Name |
|------|-----|-----|------|
|------|-----|-----|------|

Notes:

[Joker 75.4 2WD ->H10S704WXE15001] [Joker 75.4 4WD ->H10S704WXE15001]

| | | | |
|-------|-----------------|---|--|
| 1 | 0.082.0065.A | 4 | cyl. piston assembly "A" - CLASS A |
| 1 | 0.082.0065.B | 4 | cyl. piston assembly "B" - CLASS B |
| 1.2 | 0.A12.2675.0 | 1 | engine cylinder "A" - CLASS A |
| 1.2 | 0.B12.2675.0 | 1 | engine cylinder "B" - CLASS B |
| 1.3 | 0.082.0060.A | 1 | complete piston "A" - CLASS A |
| 1.3 | 0.082.0060.B | 1 | complete piston "B" - CLASS B |
| 1.3.1 | 0.086.0052.6/10 | 1 | piston ring set |
| 1.3.2 | 2.1411.014.1 | 1 | circlip 35 |
| 1.3.3 | 0.078.1236.0 | 1 | piston pin Ø 18 / Ø 35 / L = mm 86 |
| 2 | 0.014.5175.3 | 4 | engine connecting rod (...) <- |
| 2 | 0.019.2226.3/10 | 4 | engine connecting rod -> (...) |
| 2.1 | 2.1559.255.0 | 1 | special bushing 34.60x39.130x34.65 (...) <- |
| 2.1 | 2.1559.532.0 | 1 | special bushing 34.60x39.130x36.65 -> (...) |
| 2.2 | 2.0399.213.0 | 2 | screw m 12 p.1.25x61.5 (...) <- |
| 2.2 | 2.0399.365.0 | 2 | screw m 10 p.1.25x61.5 -> (...) |
| 3 | 0.065.1225.0 | 8 | con.rod half bushing STANDARD - A = 28.75 -> 29.00 (...) <- |
| 3 | 0.065.1225.7 | 8 | con.rod half bushing - mm 0.25 (...) <- |
| 3 | 0.065.1225.8 | 8 | con.rod half bushing - mm 0.50 (...) <- |
| 4 | 0.019.5453.0 | 4 | con.rod half bushing STANDARD - A = 29.85 -> 30.10 -> (...) |
| 5 | 0.019.5454.0 | 4 | con.rod half bushing STANDARD - A = 29.85 -> 30.10 -> (...) |





Suggest:

For more complete manuals. Please go to the home page.

<https://www.ebooklibonline.com>

If the above button click is invalid. Please download this document first, and then click the above link to download the complete manual.

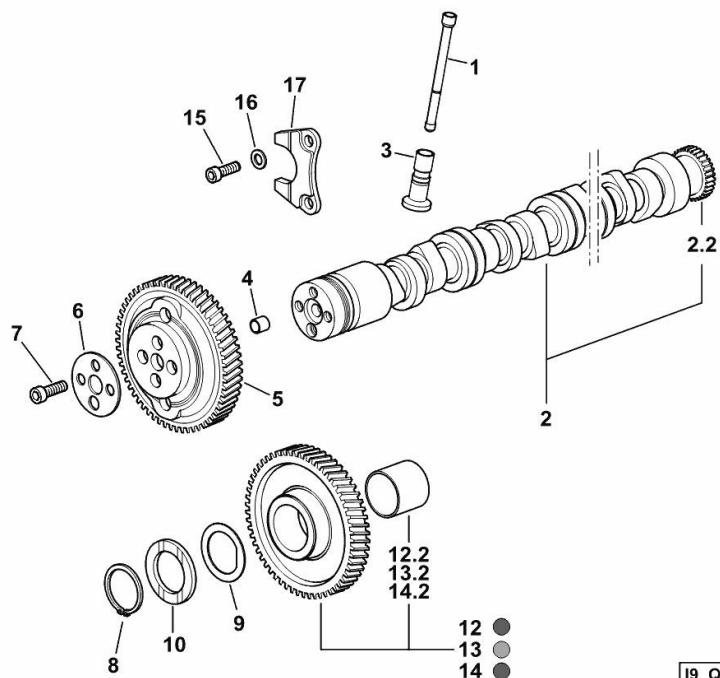
Thank you so much for reading

CAMSHAFT

| Fig. | P/n | QTY | Name |
|------|-----|-----|------|
|------|-----|-----|------|

Notes:

[Joker 75.4 2WD ->H10S704WXE15001] [Joker 75.4 4WD ->H10S704WXE15001]



| | | | |
|------|-----------------|-----|---|
| 1 | 0.065.1331.2 | 8 | rod |
| 2 | 0.013.1463.3/20 | 1 | camshaft |
| 2.2 | 0.065.1324.0/10 | 1 | gear Z = 32 |
| 3 | 0.065.1330.0 | 8 | tappets |
| 4 | 2.1559.398.0 | 1 | bushing 10.5x13x12 |
| 5 | 0.013.5017.0 | 1 | gear z=58 |
| 6 | 0.065.1350.0 | 1 | small disc |
| 7 | 2.0132.207.2 | 4 | screw m 10 p.1 x 25 |
| 8 | 2.1410.016.1 | 1 | circlip 40 |
| 9 | 0.065.1352.0 | 1 | shim |
| 10 | 0.018.2233.0 | 2 | shoulder ring |
| 12 | 0.007.1177.3/20 | 0.5 | gear z = 57 - WITH RED IDENTIFICATION STAMP |
| 12.2 | 2.1559.185.0/10 | 1 | bushing |
| 13 | 0.007.1178.3/20 | 0.5 | gear z = 57 - WITH YELLOW IDENTIFICATION STAMP |
| 13.2 | 2.1559.185.0/10 | 1 | bushing |
| 14 | 0.007.1179.3/20 | | gear z = 57 - WITH GREEN IDENTIFICATION STAMP |
| 14.2 | 2.1559.185.0/10 | 1 | bushing |
| 15 | 2.0312.205.2 | 2 | screw |
| 16 | 2.1480.014.1 | 2 | washer 8 |
| 17 | 0.065.1353.0 | 1 | small plate |

TIMING CASE

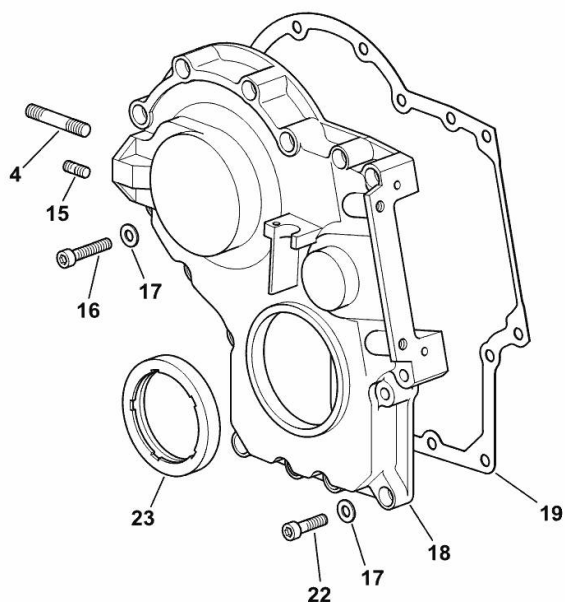
| Fig. | P/n | QTY | Name |
|------|-----|-----|------|
|------|-----|-----|------|

Notes:

[Joker 75.4 2WD ->H10S704WXE15001] [Joker 75.4 4WD ->H10S704WXE15001]

| | | | |
|----|-----------------|----|---------------------------------|
| 4 | 2.1890.003.2 | 2 | expansion plug 6 |
| 15 | 2.0432.003.7 | 2 | stud bolt m 8 p.1.25 / p.1 x 20 |
| 16 | 2.0312.214.2 | 7 | screw m 8 p.1.25 x 40 |
| 17 | 2.1480.014.1 | 15 | washer 8 |
| 18 | 0.013.4981.0 | 1 | guard |
| 19 | 0.065.1150.0/30 | 1 | gasket |
| 22 | 2.0312.208.2 | 8 | screw m 8 p.1.25 x 25 |
| 23 | 2.1529.167.0 | 1 | oil seal |

19_Q5011_00_0-B-001



<https://www.ebooklibonline.com>

Hello dear friend!

Thank you very much for reading.

Enter the link into your browser.

The full manual is available for immediate download.

<https://www.ebooklibonline.com>