

Section: ENGINE  
**CRANKCASE**

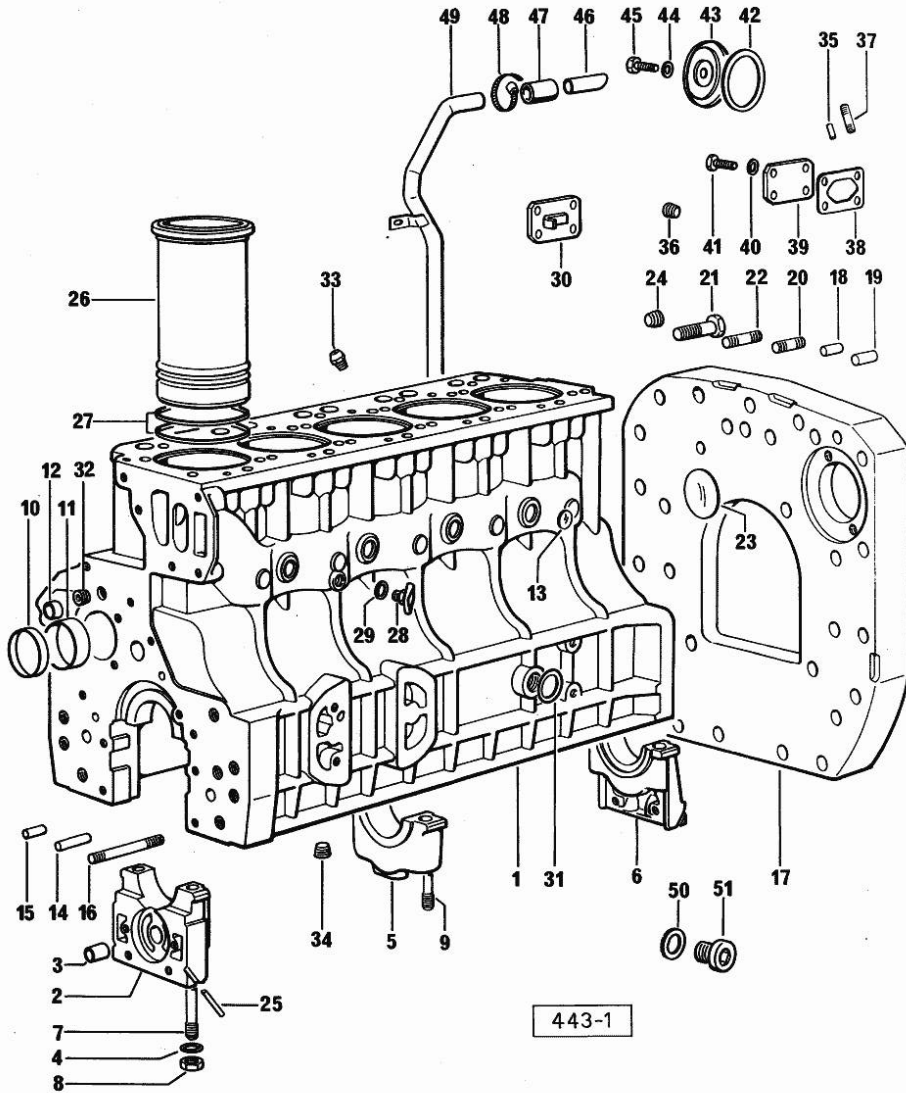
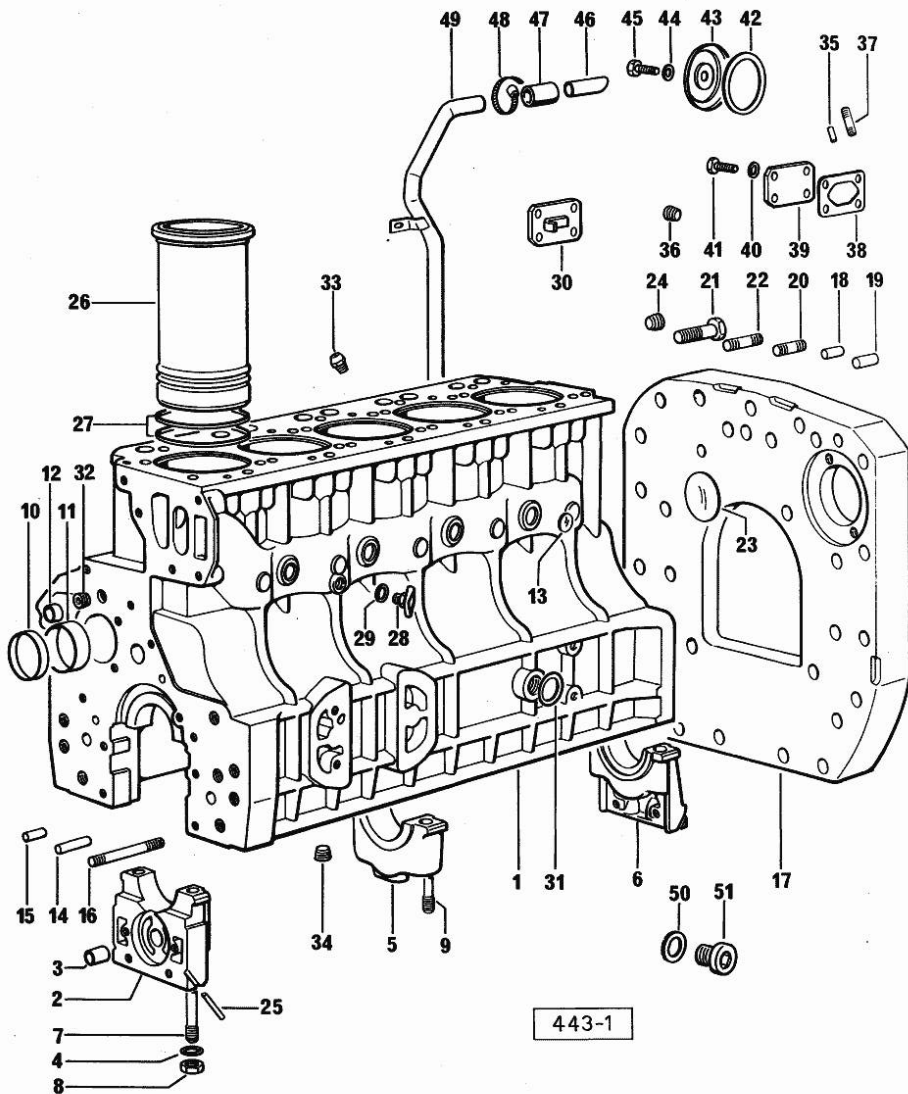


Fig.	P/n	QTY	Name
<b>Notes:</b>			
[H-5116 T]			
0	0.058.0050.6	1	gasket set FOR ENGINE ASSEMBLY
1	0.058.1110.4/50	1	crankcase
2	0.052.1112.3	1	support
3	2.1559.090.0/10	1	bushing 14.24x19.06x27
4	2.1599.318.7	12	flat washer
5	0.052.1113.0	4	support
6	0.052.1116.0	1	support
7	0.052.1151.0	4	stud bolt
8	2.1099.064.7	12	special nut
9	0.052.1150.0	8	stud bolt
10	2.1559.157.0	1	special bushing
11	2.1559.156.0	3	special bushing
12	2.1559.111.0/10	2	special bushing 11.5x14.1x10
13	2.3170.012.1	3	expansion plug 30
14	2.1699.114.0	1	pin 8x55
15	2.1653.711.0	1	pin
16	2.0432.025.1	2	stud bolt m 8 p 1.25-1x100
17	0.071.1150.0	1	flange
18	2.1652.911.0	2	cylindrical plug 12x25
19	2.1653.708.0	2	pin 8x18
20	2.0432.153.1	2	stud bolt m 10 p.1.5 / p.1.25 x 20
21	2.0112.513.1	10	screw m 14 p.2 x 35
22	2.0432.257.1	2	stud bolt m 12 p.1.75 - 1.25 x 30
23	2.3170.023.1	1	expansion plug 65
24	2.3130.003.1	2	plug 3/8" gas
25	0.029.1154.0	4	gasket
26	0.057.1120.0	5	engine cylinder
27	2.1539.029.0	10	special oil seal
28	0.049.1152.0	1	cock
29	2.1560.009.0	1	gasket 14.2x18
30	0.057.1162.3/20	1	cover
31	2.1560.022.0	1	gasket
32	2.3130.002.1	2	plug 1/4" gas
33	0.071.1151.3	5	valve
34	2.3130.001.1	5	plug 1/8" gas
35	2.1652.306.0	2	cylindrical plug 4x14
36	2.3139.001.1	5	plug
37	2.0432.003.1	8	stud bolt m 8 p.1.25 / p.1 x 20
38	0.057.1153.0	2	gasket
39	0.057.1152.0/10	1	cover

## Section: ENGINE

## CRANKCASE

Fig.	P/n	QTY	Name
40	2.1310.004.2	8	flat washer 8.4x17
41	2.0112.205.2	8	screw m 8 p.1.25 x 16
42	0.057.1151.0	1	gasket
43	0.057.1150.0	1	cover
44	2.1560.003.0	1	copper gasket 8.2 x 12
45	2.0112.204.2	1	screw m 8 p.1.25x14
46	0.057.1154.0	1	tube
47	0.057.1158.0	1	sleeve
48	2.6850.007.0	1	clamp 25-40
49	0.079.1150.2/10	1	old part number
50	2.1560.017.0	3	gasket 22.2 x 27
51	2.3120.002.4	3	plug m 22 x 1.5



Section: ENGINE  
TIMING CASE

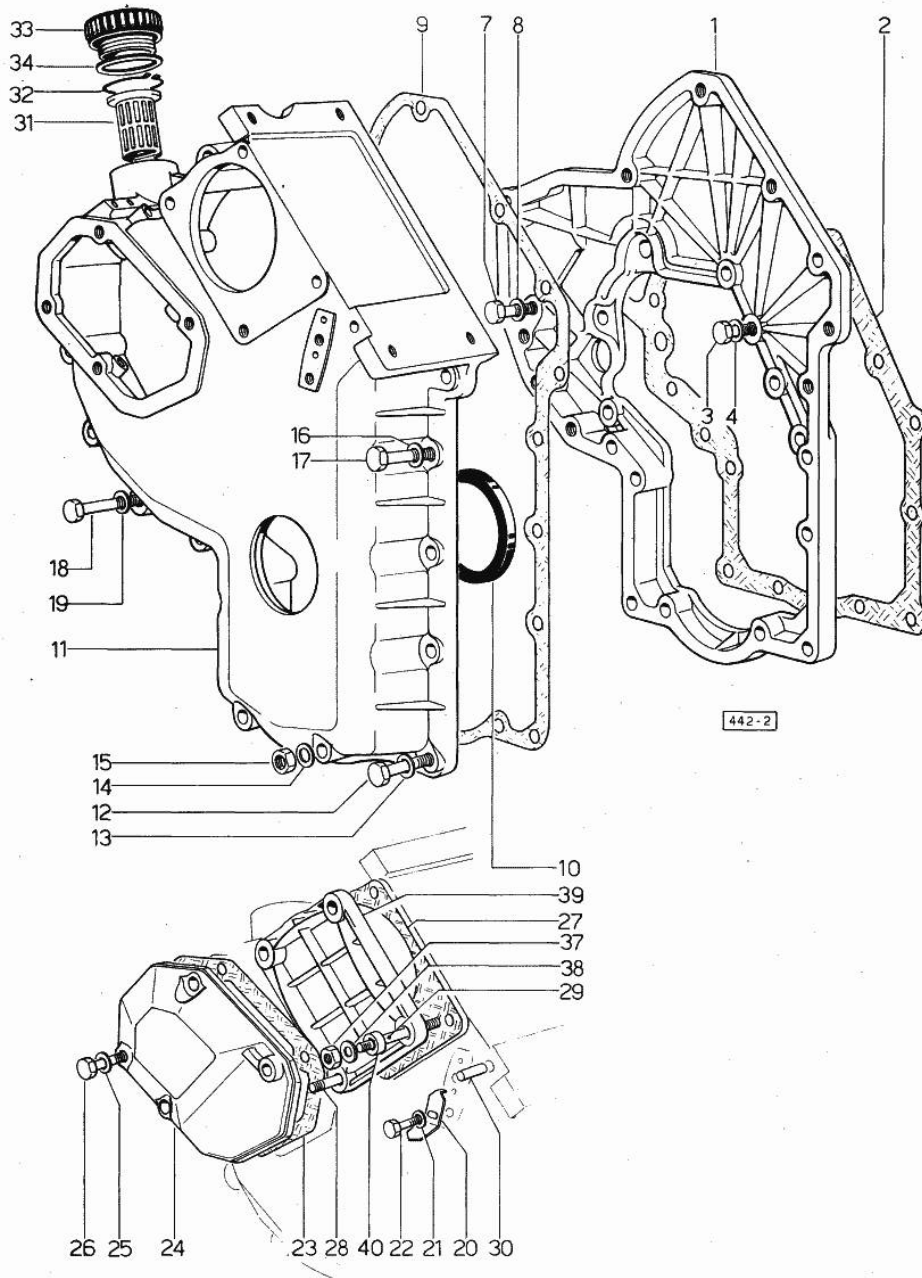


Fig.	P/n	QTY	Name
------	-----	-----	------

Notes:  
[H-5116 T]

1	0.079.1131.0	1	flange
2	0.057.1155.0	1	gasket
3	2.0112.209.2	2	screw m 8 p 1.25 x 25
4	2.1480.014.1	2	washer 8
7	2.0112.207.2	3	screw m 8 p 1.25 x 20
8	2.1480.014.1	3	washer 8
9	0.041.1152.0	1	gasket
10	2.1519.010.0	1	special oil seal 58x80x10
11	0.048.1132.0/30	1	guard
12	2.0112.217.2	5	screw m 8 p.1.25 x 45
13	2.1480.014.1	5	washer 8
14	2.1560.003.0	2	copper gasket 8.2 x 12
15	2.1011.405.2	2	nut m 8 p.1
16	2.1480.014.1	3	washer 8
17	2.0112.211.2	3	screw m 8 p.1.25 x 30
18	2.0112.222.2	4	screw m 8 p.1.25x65
19	2.1480.014.1	4	washer 8
20	0.057.1156.0	1	index
21	2.1310.004.2	1	flat washer 8.4x17
22	2.0112.204.2	1	screw m 8 p.1.25x14
23	0.048.1151.0/10	1	gasket
24	0.048.1150.0/20	1	cover
25	2.1560.005.0	4	copper gasket 10.2 x 14
26	2.0112.315.2	4	screw m 10 p.1.5 x 40
27	0.041.1154.0	1	gasket
28	2.0432.013.1	1	stud bolt m 8 p.1.25 / p.1 x 45
29	2.0432.028.1	3	stud bolt m 8 p.1.25-1x130
30	2.1653.717.0	1	pin 8 x 40
31	0.041.1159.0/10	1	filter
32	2.1411.012.1	1	circlip 30
33	0.041.1135.3	1	plug
34	2.1569.072.0	1	gasket 32 x 39.5 x 2
37	2.1011.405.2	4	nut m 8 p.1
38	2.1310.004.2	4	flat washer 8.4x17
39	0.037.1151.0/10	1	cover

**<https://www.ebooklibonline.com>**

Hello dear friend!

Thank you very much for reading.

Enter the link into your browser.

The full manual is available for immediate download.

**<https://www.ebooklibonline.com>**

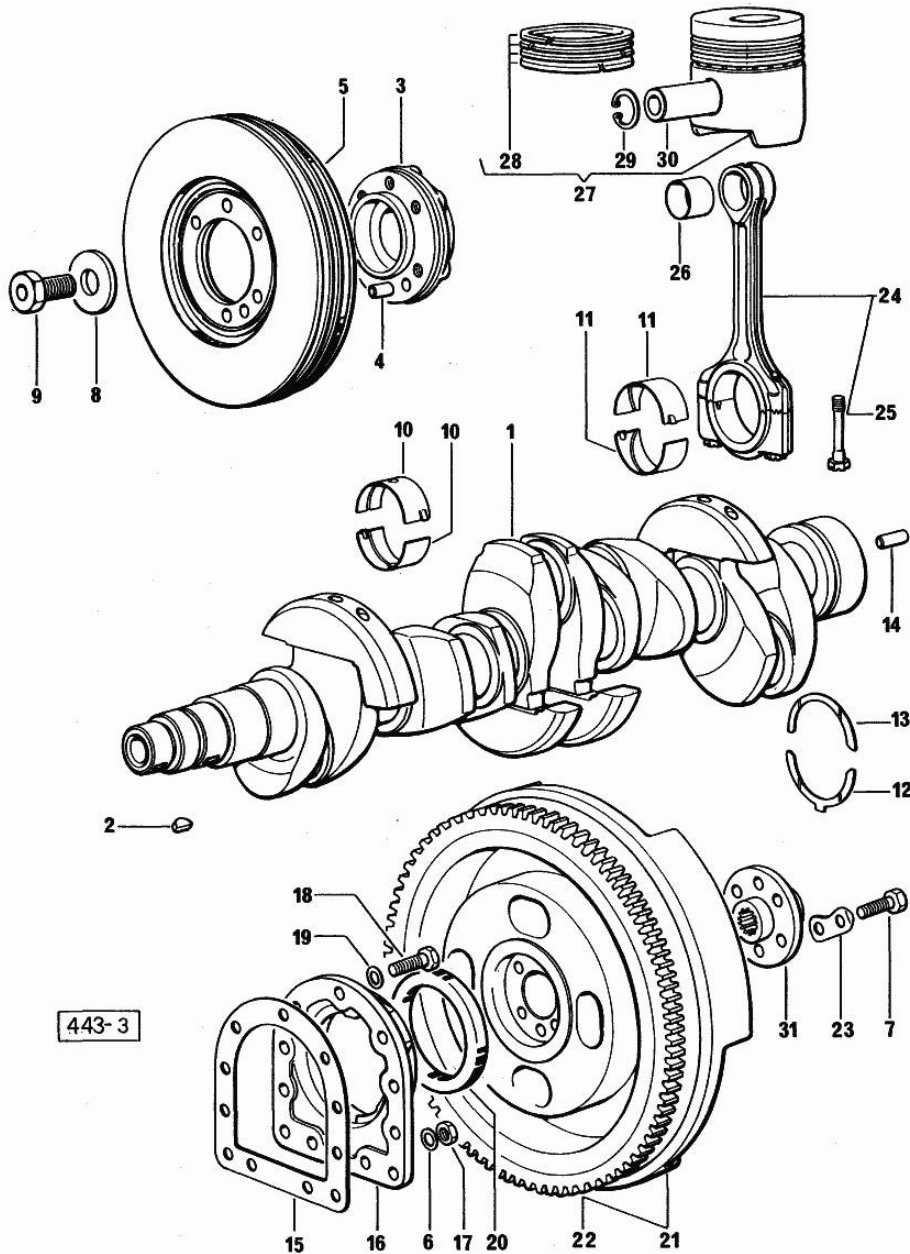
Section: ENGINE

**CRANKSHAFT**

Fig.	P/n	QTY	Name
------	-----	-----	------

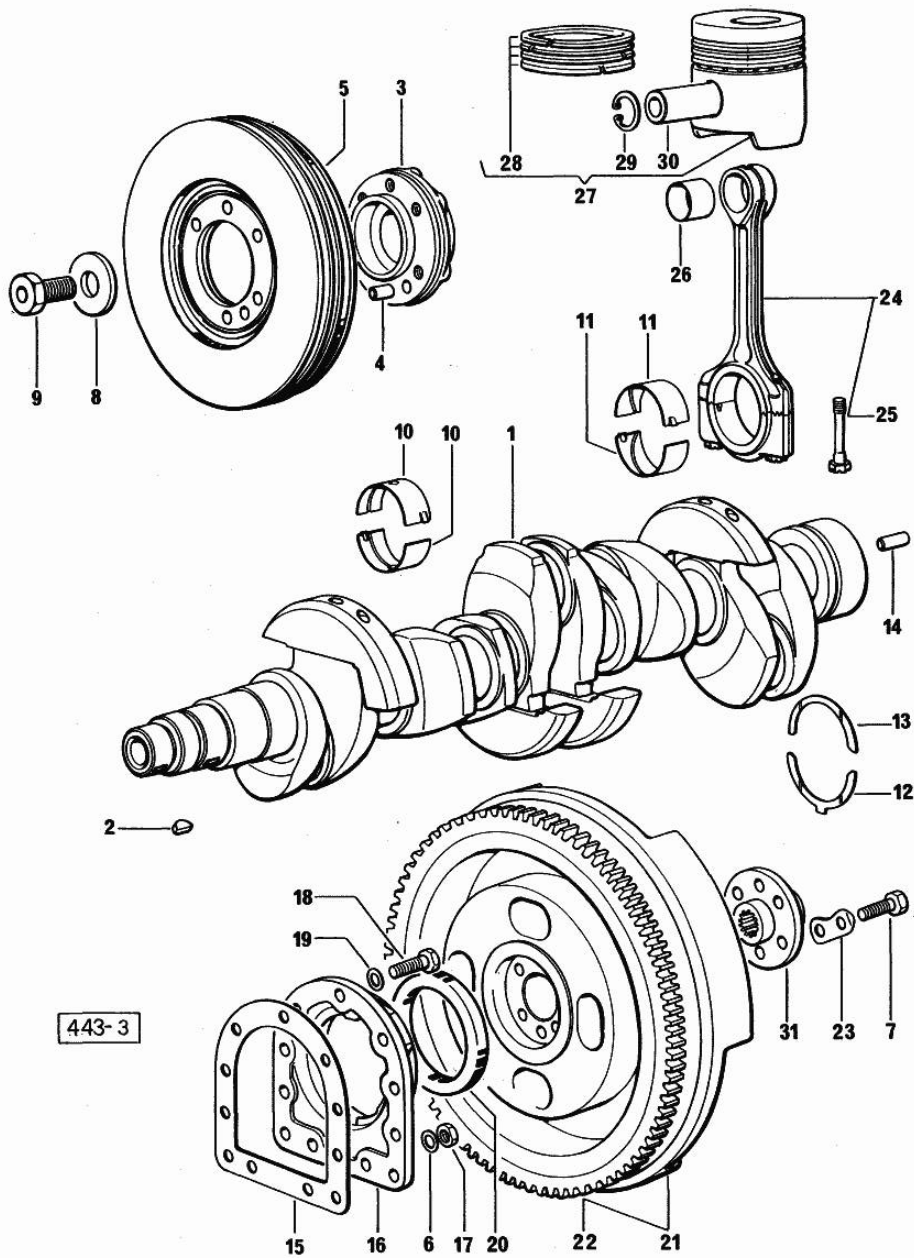
Notes:  
[H-5116 T]

1	0.041.1210.4/10	1	old part number
2	2.1799.002.0	1	stick 10x13
3	0.037.1250.0/10	1	hub
4	2.1651.909.0	1	cylindrical plug 12 x 20
5	0.058.1246.3	1	antivibration pulley
6	2.1560.006.0	2	gasket 10.2 x 16
7	2.0122.517.7	6	screw m 14 p.1.5x45
8	0.001.6020.0	1	shoulder
9	2.0129.032.2	1	screw m 24 p.2x45
10	0.029.0066.0		main half bushing - mm 1.00
10	0.029.1215.0/10	12	main half bushing
10	0.029.1215.7		main half bushing - mm 0.25
10	0.029.1215.8		main half bushing - mm 0.50
10	0.029.1215.9		main half bushing - mm 0.75
11	0.052.1225.0	10	con.rod half bushing
11	0.052.1225.7		con.rod half bushing - mm 0.25
11	0.052.1225.8		con.rod half bushing - mm 0.50
11	0.052.1225.9		con.rod half bushing - mm 0.75
12	0.001.4547.0		shoulder ring + mm 0.05
12	0.001.4548.0		shoulder ring + mm 0.10
12	0.001.4549.0		shoulder ring + mm 0.15
12	0.042.1219.0	2	shoulder ring STANDARD
13	0.001.4544.0		shoulder ring + mm 0.05
13	0.001.4545.0		shoulder ring + mm 0.10
13	0.001.4546.0		shoulder ring + mm 0.15
13	0.042.1218.0	2	shoulder ring STANDARD
14	2.1652.915.0	2	cylindrical plug 12x35
15	0.029.1250.0	1	gasket
16	029.1240.0/10	1	-
17	2.1011.321.2	2	nut m 10 p.1.25
18	2.0112.309.2	7	screw m 10 p.1.5 x 25
19	2.1480.015.1	7	washer 10
20	2.1519.009.0/10	1	special oil seal
21	0.046.1256.3	1	flywheel
22	0.047.1242.0	1	crown wheel z=128
23	2.1379.006.0	3	lock-tab 15x15x36,5
24	0.057.1220.3/10	5	engine connecting rod
25	0.039.1250.0	10	screw m 14 p.1.5x63
26	2.1559.114.0/10	5	special bushing
27	0.058.0060.6	5	complete piston STANDARD
28	0.057.0051.6	5	piston ring set



Section: ENGINE  
**CRANKSHAFT**

Fig.	P/n	QTY	Name
29	2.1411.014.1	10	circlip 35
30	0.054.1236.0	5	piston pin
31	0.170.3650.0	1	flange



443-3

Section: ENGINE

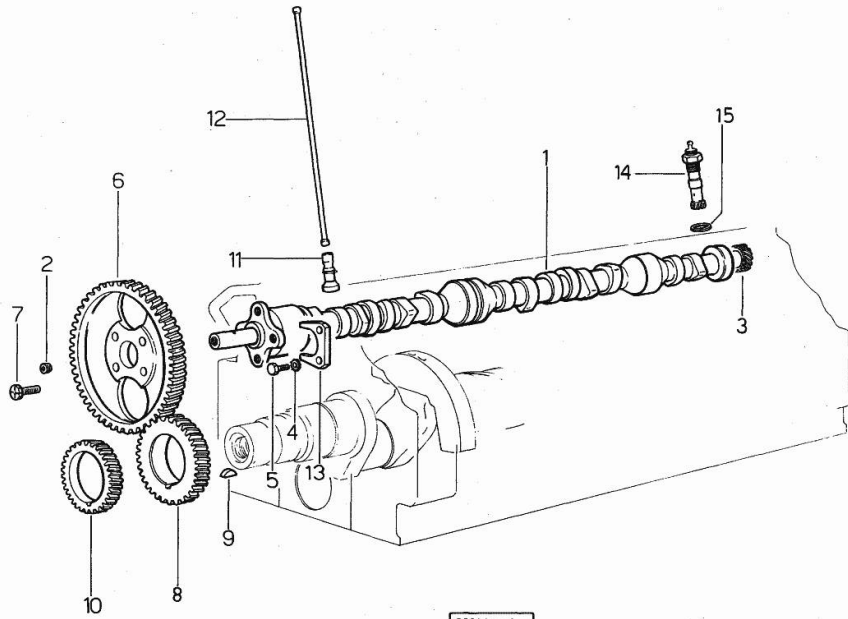
**CAMSHAFT**

Fig.	P/n	QTY	Name
------	-----	-----	------

**Notes:**

[H-5116 T]

1	0.058.1310.3	1	old part number
2	2.3130.001.1	1	plug 1/8" gas
3	0.041.1350.0	1	gear
4	2.1470.004.2	2	lock washer 8
5	2.0312.206.2	2	screw m 8 p 1.25 x 20
6	0.062.1321.0	1	gear z=66
7	2.0139.005.1	4	screw m 10 p.1 x 25
8	0.040.1320.0	1	gear z = 33
9	2.1720.010.0	1	key 5x9
10	0.040.1323.0/10	1	gear Z = 38
11	0.057.1330.0/10	10	tappets
12	0.057.1331.2	10	rod
13	0.057.1314.0	1	small plate
14	0.041.1355.3	1	transmission
15	2.1560.013.0	1	gasket 18.2x22



Section: ENGINE  
CYLINDER HEAD

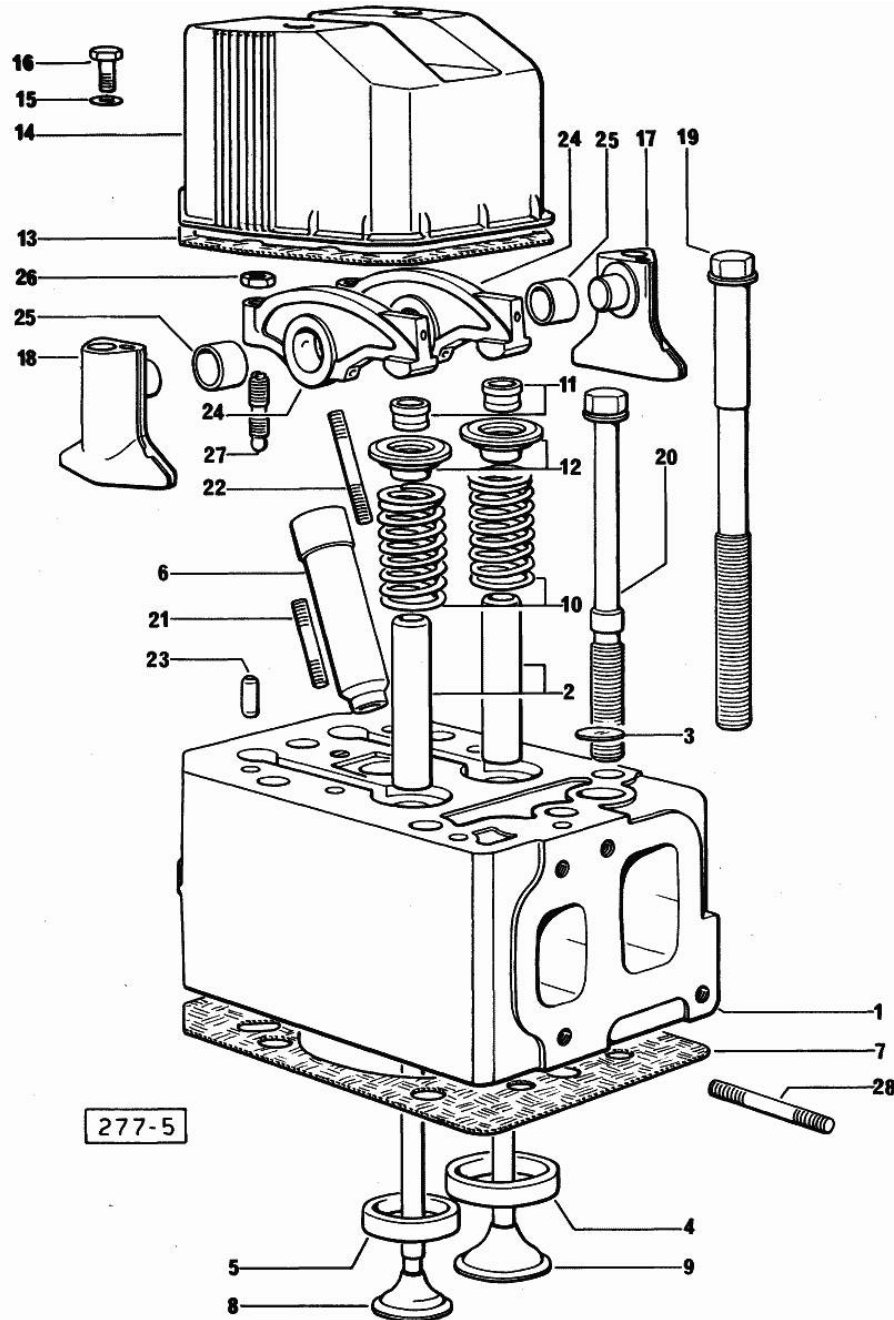
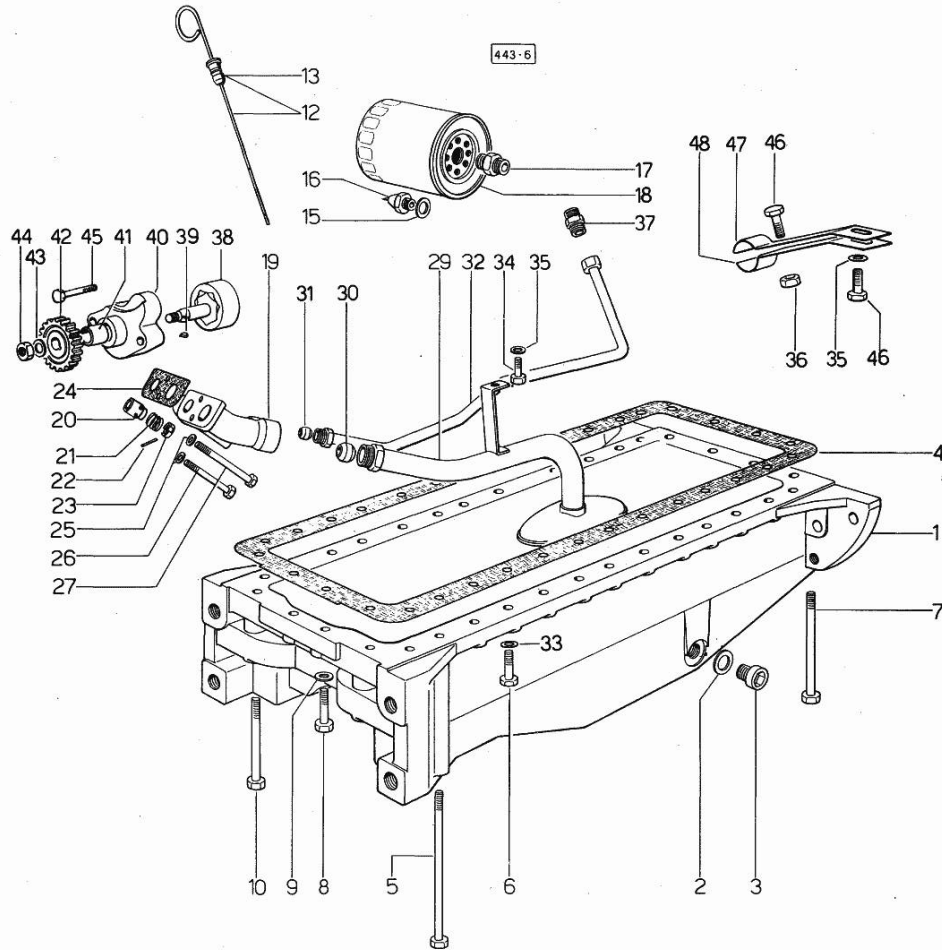


Fig.	P/n	QTY	Name
------	-----	-----	------

Notes:  
[H-5116 T]

0	0.057.0057.6	1	gasket set FOR GRINDING VALVES OF 1 CYLINDER
1	0.057.1410.3/60	5	old part number
2	0.057.1416.0	10	valve guide
3	2.3170.010.1	5	expansion plug 25
4	0.057.1450.0/10	5	valve seat
5	0.057.1451.0	5	valve seat
6	0.057.1452.0/10	5	bush
7	0.057.1456.0/20	5	gasket
8	0.058.1421.0/10	5	exhaust valve
9	0.058.1420.0/10	5	inlet valve
10	2.4019.228.0	10	spring
11	0.058.1423.0	10	cone
12	0.058.1425.0/10	10	cup
13	0.057.1457.0/10	5	gasket
14	0.057.1440.0/10	5	small cap
15	2.1560.004.0	10	copper gasket 8.2 x 14
16	2.0119.108.2	10	old part number
17	0.057.1430.0	5	support
18	0.057.1453.0	5	support
19	0.057.1454.0/10	10	screw
20	0.057.1455.0/10	20	screw
21	2.0432.007.1	5	stud bolt m 8 p.1.25 / p.1 x 30
22	2.0432.011.1	5	stud bolt m 8 p.1.25 / p.1 x 40
23	2.1652.708.0	20	cylindrical plug 8x18
24	0.057.1432.3/10	10	rocker arm
25	2.1559.141.0	10	special bushing
26	2.1011.405.2	10	nut m 8 p.1
27	0.021.1434.0	10	screw
28	2.0432.009.1	9	stud bolt m 8 p.1.25 / p. 1 x 35
28	2.0432.026.1	1	stud bolt m 8 p.1.25 - 1.00 x 110

Section: ENGINE  
LUBRICATION

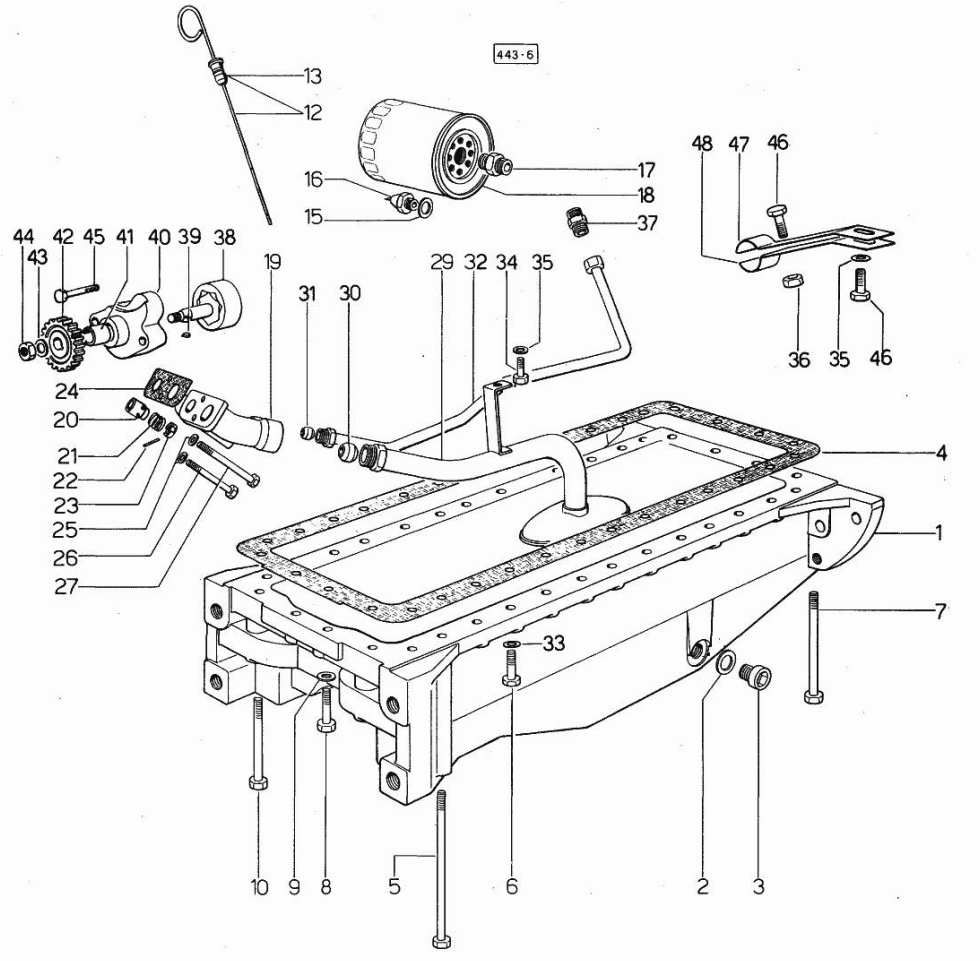


Notes:  
[H-5116 T]

Fig.	P/n	QTY	Name
1	0.048.1510.0	1	oil sump
2	2.1560.054.0	1	gasket 21 x 26
3	2.3199.001.2	1	plug 1/2" gas
4	0.041.1512.0	1	gasket
5	2.0112.244.2	2	screw m 8 p.1.25 x 180
6	2.0112.215.2	24	screw m 8 p.1.25 x 40
7	2.0112.237.2	4	screw m 8 p.1.25x140
8	2.0112.217.2	2	screw m 8 p.1.25 x 45
9	2.1560.004.0	4	copper gasket 8.2 x 14
10	2.0112.231.1	2	screw m 8 p 1.25x110
12	0.057.1513.3/10	1	dipstick
13	2.1539.035.0	1	special oil seal
15	2.1560.008.0	1	gasket 12.2 x 18
16	2.7099.040.0/10	1	pressure switch
17	2.3339.094.1/10	1	pipe fitting m 20 p.1.5-3/4 gas
18	0.052.1565.0	1	oil filter element
19	0.052.1530.0	1	tip
20	0.052.1571.0	1	small piston
21	2.4019.270.1	1	spring 9.7x54x2
22	2.1630.213.0	1	roll pin 3x32
23	0.054.1558.0/10	1	stop
24	0.037.1557.0/20	1	gasket
25	2.1480.014.1	2	washer 8
26	2.0112.225.2	1	screw m 8 p.1.25 x 80
27	2.0112.231.1	1	screw m 8 p 1.25x110
29	0.048.1531.3	1	tube
30	2.3359.017.1	1	nosepiece
31	2.3359.016.1	1	nosepiece
32	0.058.1534.2/20	1	tube
33	2.1470.004.2	30	lock washer 8
34	2.0112.204.2	1	screw m 8 p.1.25x14
35	2.1310.004.2	3	flat washer 8.4x17
36	2.1011.105.2	2	nut m 8 p.1.25
37	2.3339.159.1/10	1	pipe fitting
38	0.040.1524.3/30	1	rotor
39	2.1720.005.0	1	key 4x5
40	0.047.1520.3	1	pump casing
41	2.1559.086.0/10	1	bush
42	0.040.1521.0/10	1	gear z = 27
43	2.1310.007.2	1	flat washer 13 x 24
44	2.1121.109.2	1	self-locking nut m 12 p.1.25

Section: ENGINE  
**LUBRICATION**

Fig.	P/n	QTY	Name
45	2.0112.219.2	2	screw m 8 p.1.25x55
46	2.0112.207.2	4	screw m 8 p 1.25 x 20
47	0.046.1551.0	2	bracket
48	0.046.1550.0	2	bracket

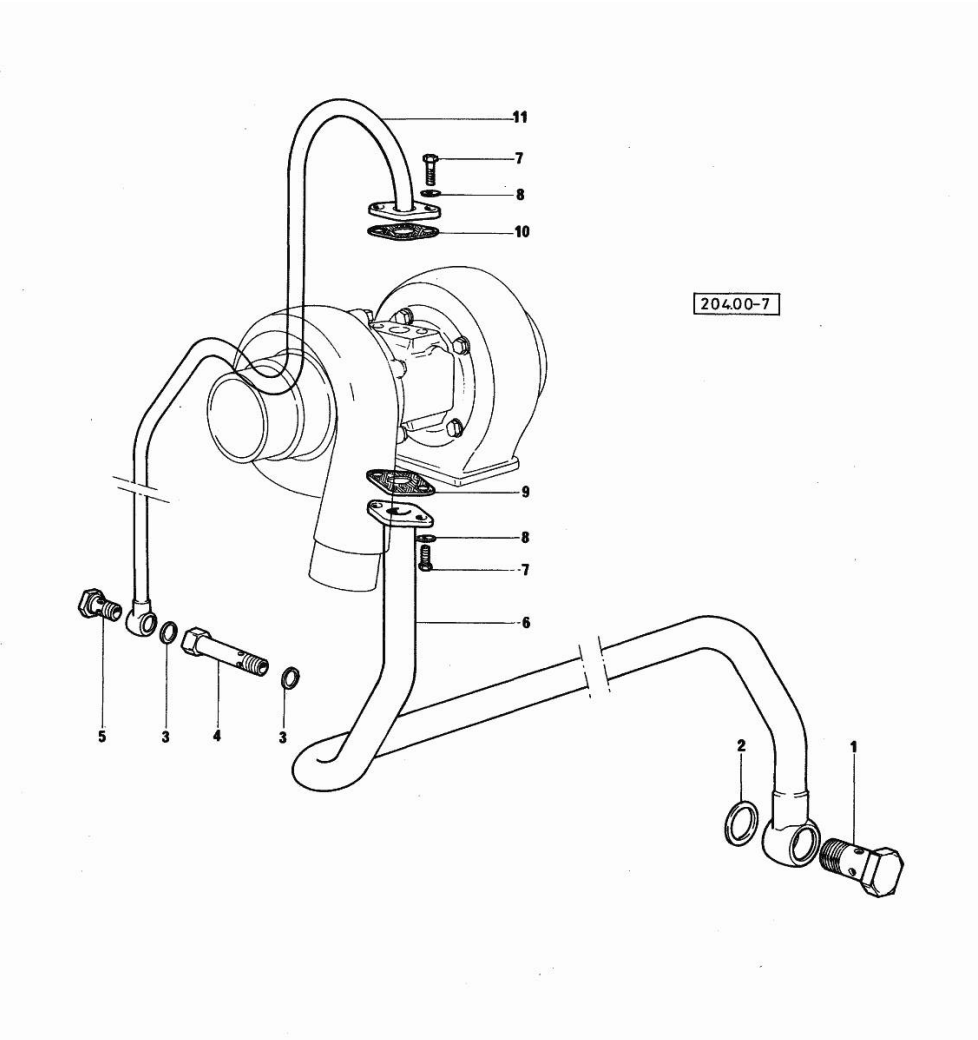


Section: ENGINE  
**LUBRICATION**

Fig.	P/n	QTY	Name
------	-----	-----	------

Notes:  
 [H-5116 T]

1	2.3332.008.1	1	old part number
2	2.1560.022.0	2	gasket
3	2.1560.008.0	3	gasket 12.2 x 18
4	0.057.1552.0	1	pipe fitting
5	2.3339.184.1	1	pipe union
6	0.059.1552.3	1	tube
7	2.0112.207.2	4	screw m 8 p 1.25 x 20
8	2.1474.009.1	4	spring washer 8
9	0.057.1558.0	1	gasket
10	0.057.1553.0	1	gasket
11	0.057.1550.3	1	tube



Section: ENGINE

**FUEL FEED - GOVERNOR**

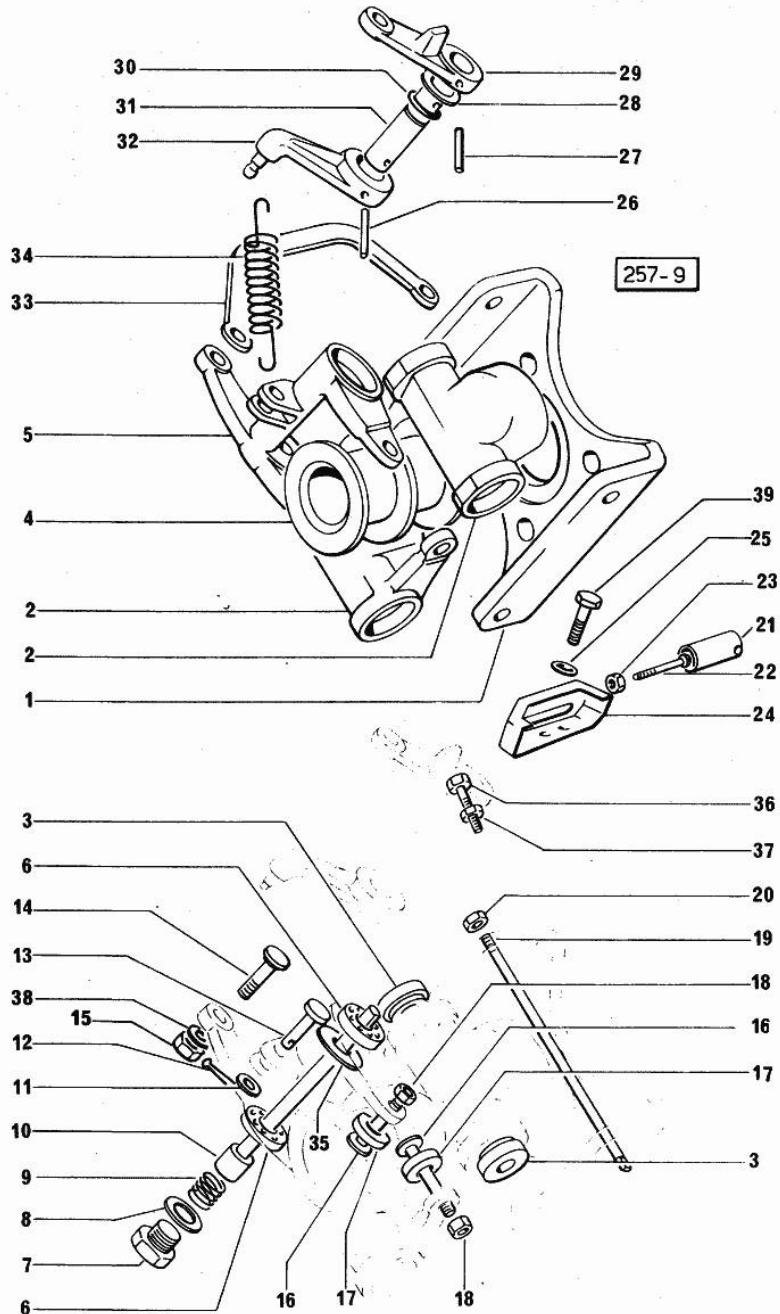


Fig.	P/n	QTY	Name
------	-----	-----	------

Notes:  
[H-5116 T]

1	0.062.1615.0	1	bracket
2	0.062.1616.0	2	adjust.rocker
4	0.041.1618.0	1	sleeve
5	0.062.1619.0	1	lever
6	2.2999.158.0	2	special bearing
7	2.3110.002.1	1	plug 1/4" gas
8	2.1560.008.0	1	gasket 12.2 x 18
9	2.4019.177.1	1	spring
10	0.041.1620.0	1	pin
11	2.1310.001.2	1	flat washer 5.3 x 10
12	2.1690.104.2	1	split pin 1.6x10
13	2.1670.005.2	1	pin 5x22x20
14	0.041.1656.0	1	pin
15	2.1011.103.2	1	nut m 6 p.1
16	0.054.1654.0/10	4	pin
17	0.054.1655.0	4	roller
18	2.1019.007.1	4	special nut m 6 p.1
19	0.062.1617.0/10	2	pin
20	2.1120.305.2	2	self-locking nut m 8 p.1 x 8
21	0.024.1680.0	1	guard
22	2.0220.317.2	1	screw m 5x0.8x35
23	2.1011.102.2	1	nut m 5 p.0.7
24	0.052.1661.2/20	1	small cover
25	2.1310.002.2	2	flat washer 6.4x12.5
26	2.1630.511.0	1	roll pin 5x24
27	2.1630.410.0	1	roll pin 4 x 20
28	2.1599.141.0	1	shoulder ring 12.5x19x1.5
29	0.041.1621.0	1	lever
30	2.1530.016.0	1	oil seal 8.73 x 1.78
31	0.041.1655.0/10	1	pin
32	0.042.1621.0	1	lever
33	0.042.1622.0	1	rod
34	2.4049.095.1/10	1	spring
35	2.1599.248.1	2	shim 7x11x1
36	2.0112.009.2	1	screw m 6 p.1 x 25
37	2.1011.103.2	1	nut m 6 p.1
38	2.1481.005.1	4	washer 6, d128
39	2.0119.081.2	2	screw

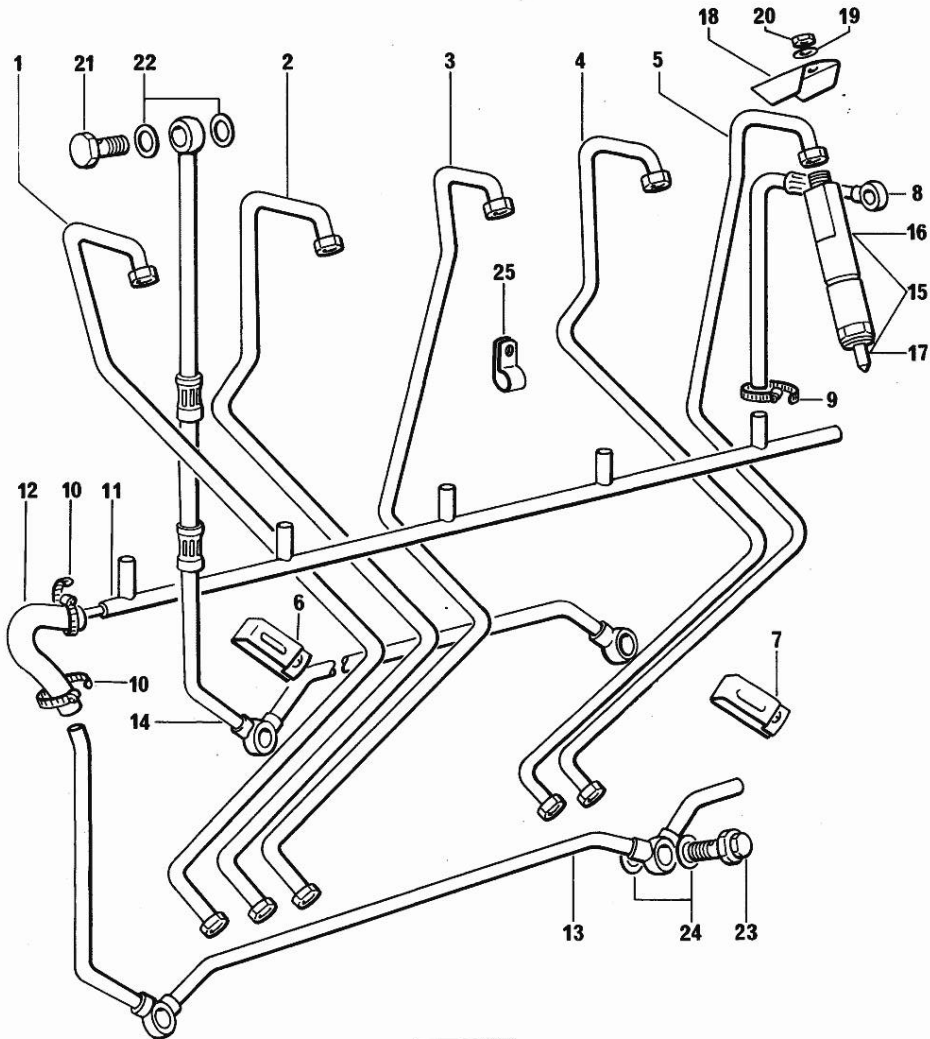
Section: ENGINE

**FUEL SYSTEM - INJECTOR NOZZLE**

Fig.	P/n	QTY	Name
------	-----	-----	------

Notes:  
[H-5116 T]

1	0.057.1630.2	1	tube
2	0.057.1631.2	1	tube
3	0.057.1632.2	1	tube
4	0.057.1633.2	1	tube
5	0.057.1634.2	1	tube
6	0.057.1655.3	2	clamp
7	0.059.1651.3	2	bracket
8	0.057.1651.2/20	5	tube
9	2.6859.029.2	5	clamp
10	2.6850.001.0	2	clamp
11	0.058.1654.2	1	tube
11	2.4729.080.0	1	nozzle
12	0.057.1653.0/10	1	tube
13	0.058.1642.2	1	tube
14	0.058.1646.2	1	tube
15	2.4719.140.0	5	injector assembly
16	2.4719.150.0	5	nozzle holder
17	2.4729.080.0	5	nozzle
18	0.057.1652.0	5	bracket
19	2.1470.004.2	10	lock washer 8
20	2.1011.405.2	10	nut m 8 p.1
21	2.3332.004.1	1	pipe union m 14 p.1.5
22	2.1560.009.0	2	gasket 14.2x18
23	0.045.1651.4	2	valve
24	2.1560.007.0	4	gasket 12.2x16
25	2.6839.037.2	2	clamp Ø 8



443-9

Section: ENGINE

FUEL FEED - INJECTION PUMP

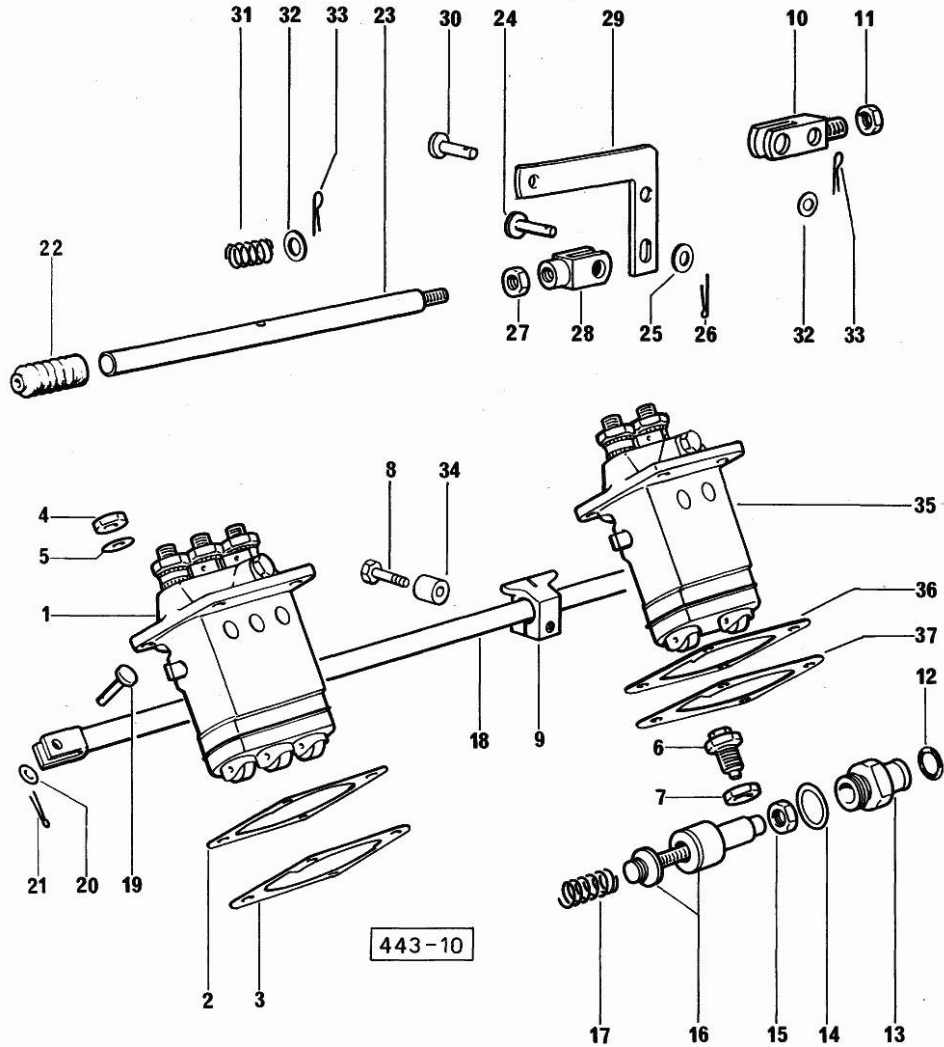


Fig.	P/n	QTY	Name
------	-----	-----	------

Notes:  
[H-5116 T]

1	2.4639.100.0/10	1	injector pump ☞ 2.4639.100.0/10 ☞ 01.00.13
2	0.041.1658.0	3	shim mm 0.20
2	0.041.1659.0	1	shim mm 0.1
3	0.041.1694.0	2	gasket mm 0.1
3	0.041.1695.0	3	gasket mm 0.20
4	2.1099.056.1	8	special nut m8 p.1
5	2.1311.006.2	8	flat washer 8
6	0.057.1657.3	1	adapter
7	2.1099.066.1	1	special nut
8	2.0112.007.2	1	screw m 6 p.1 x 20
8	2.0112.013.2	1	screw m 6 p.1 x 35
9	0.057.1650.0	2	bracket
10	0.044.1656.0	1	support
11	2.1011.506.2	1	nut m 10 p.1
12	2.1530.015.0	1	oil seal 8.30x2.40
13	0.041.1666.0/40	1	plug
14	2.1560.019.0	1	copper gasket 24.3x30
15	2.1011.505.2	1	nut m 8 p.1
16	0.062.1652.6	1	adapter
17	2.4019.178.1/10	1	spring 14.6x34x0.8
18	0.041.1613.2	1	rod
19	2.1679.048.2	1	pin
20	2.1311.004.1	1	flat washer 6
21	2.1690.205.0	1	split pin A2x12
22	0.000.5617.0	1	guard
23	0.054.1675.0/10	1	ferrule
24	2.1679.048.2	1	pin
25	2.1310.002.2	1	flat washer 6.4x12.5
26	2.1690.205.0	1	split pin A2x12
27	2.1011.103.2	1	nut m 6 p.1
28	2.3510.003.2	1	fork m 6
29	0.054.1674.0	1	lever
30	2.1670.303.2	1	pin 8x18x15
31	2.4019.232.1	1	spring
32	2.1310.004.2	2	flat washer 8.4x17
33	2.1690.206.0	2	split pin
34	2.1579.455.1	1	spacer 6.2x12x14
35	2.4629.170.0/10	1	injector pump
36	0.058.1650.0	2	shim mm 0.1



**Suggest:**

**For more complete manuals. Please go to the home page.**

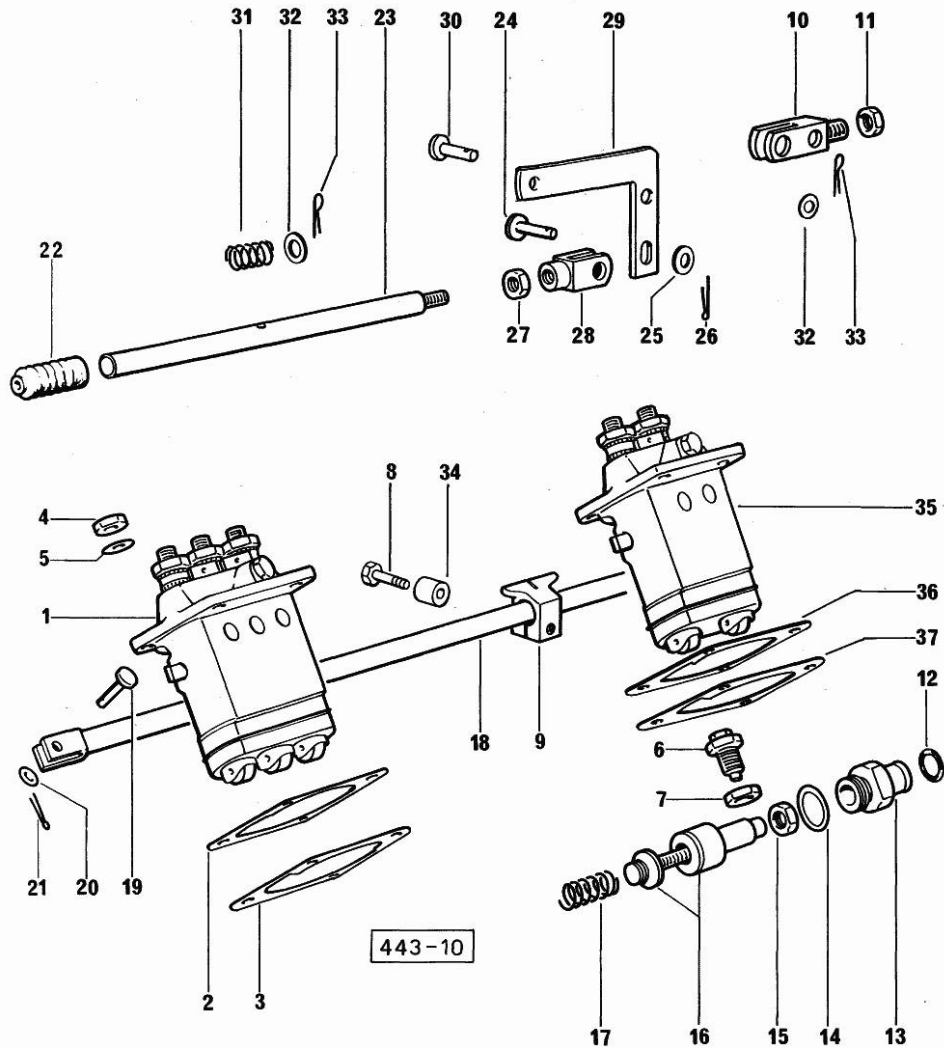
**<https://www.ebooklibonline.com>**

**If the above button click is invalid. Please download this document first, and then click the above link to download the complete manual.**

**Thank you so much for reading**

**FUEL FEED - INJECTION PUMP**

Fig.	P/n	QTY	Name
36	0.058.1653.0	5	shim mm 0.20
37	0.058.1651.0	3	shim mm 0.20
37	0.058.1652.0	1	shim mm 0.1



Section: ENGINE

FUEL SUPPLY SYSTEM

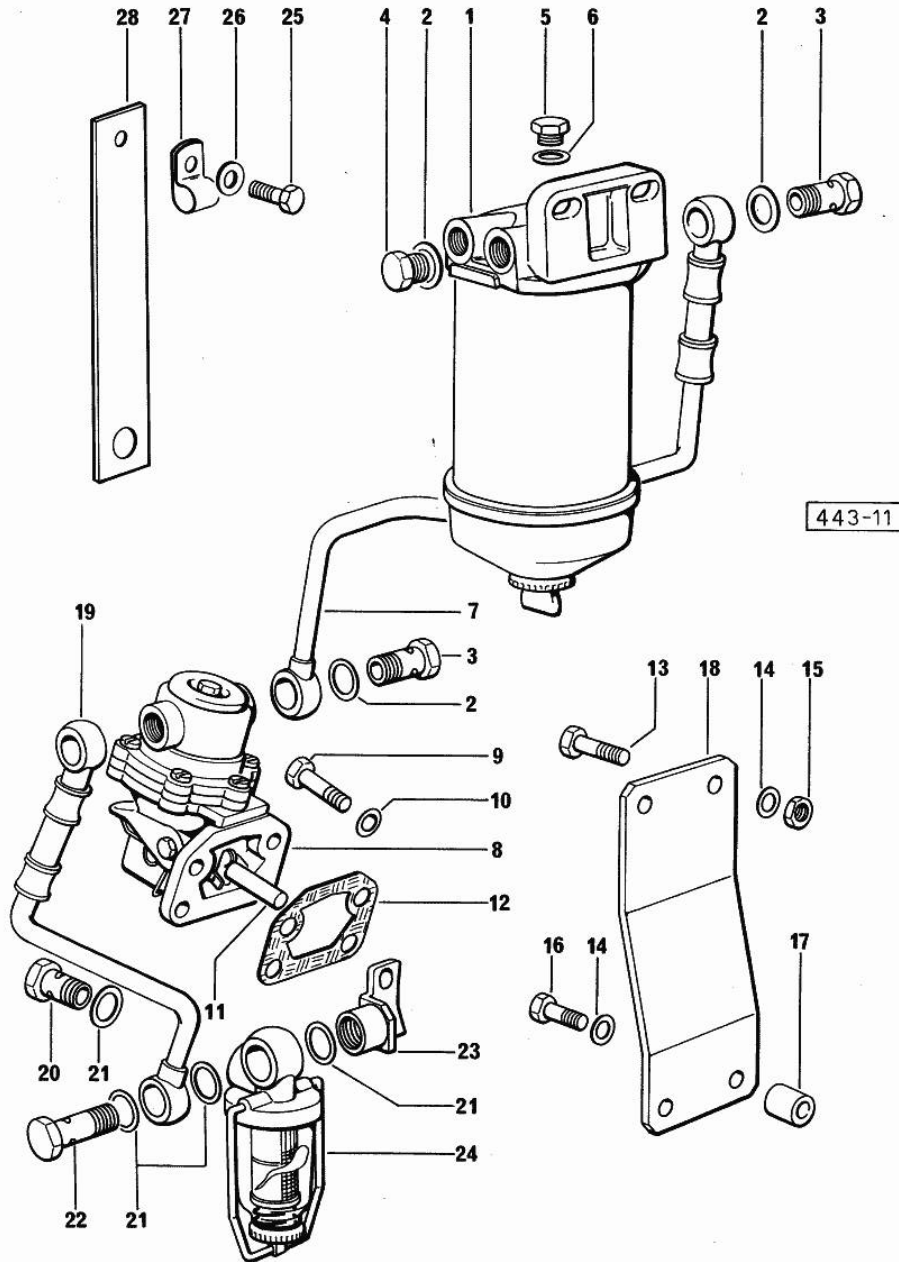


Fig.	P/n	QTY	Name
<b>Notes:</b>			
[H-5116 T]			
1	2.4319.130.0	1	fuel filter ☞ 2.4319.130.0 ☞ 01.00.14
2	2.1560.009.0	8	gasket 14.2x18
3	2.3332.004.1	3	pipe union m 14 p.1.5
4	2.3110.403.1	2	plug m 14 p.1.5x12
5	2.3119.005.2	1	plug m 10 p.1.5
6	2.1560.005.0	1	copper gasket 10.2 x 14
7	0.057.1645.2/10	1	tube
8	2.4519.230.0/10	1	feed pump ☞ 2.4519.230.0/10 ☞ 01.00.16
9	2.0112.209.2	4	screw m 8 p 1.25 x 25
10	2.1480.014.1	4	washer 8
11	0.044.1655.0/20	1	ferrule
12	0.056.1651.0	1	gasket
13	2.0112.311.2	2	screw m 10 p.1.5 x 30
14	2.1470.006.2	4	lock washer 10
15	2.1011.106.2	2	nut m 10 p.1.5
16	2.0112.315.2	2	screw m 10 p.1.5 x 40
17	2.1579.149.2	2	spacer 11x18x19
18	0.057.1654.2	1	support
19	0.064.1654.3	1	tube
20	2.3332.004.1	1	pipe union m 14 p.1.5
21	2.1560.009.0	5	gasket 14.2x18
22	2.3339.040.2	1	pipe union m 14 p.1.5x45
23	0.071.1655.2	1	support
24	2.4319.220.0	1	precleaner ☞ 2.4319.220.0 ☞ 01.00.15
25	2.0220.307.1	1	screw
26	2.1470.001.2	1	lock washer 5
27	2.6830.005.1	1	bracket
28	0.101.1948.0	1	support

**<https://www.ebooklibonline.com>**

Hello dear friend!

Thank you very much for reading.

Enter the link into your browser.

The full manual is available for immediate download.

**<https://www.ebooklibonline.com>**