

Section: ENGINE
CRANKCASE

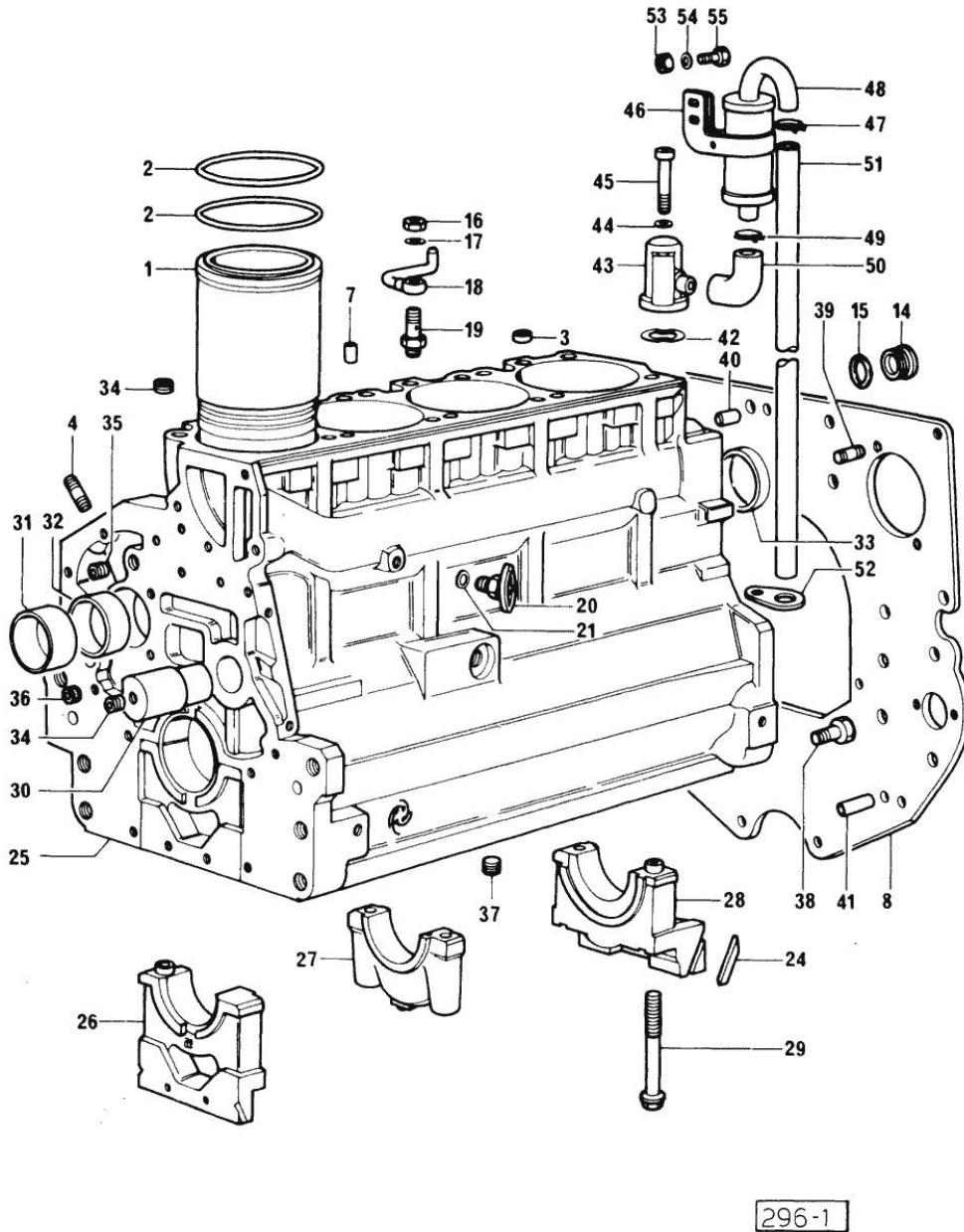


Fig.	P/n	QTY	Name
Notes:			
[H 488 T]			
0	0.082.0050.6	1	gasket set 916.4 W
0	0.090.0050.6	1	gasket set 1000.4 W
1	0.066.1120.0/10	4	engine cylinder X 916.4 W
1	0.088.1120.0/10	4	engine cylinder X 1000.4 W
2	2.1519.096.0	8	oil seal
3	2.1559.188.0	4	bushing
4	2.0439.154.2	12	stud bolt m 8 p.1x20
7	2.1631.205.0	4	roll pin
8	0.066.1130.0/20	1	flange
14	2.3199.405.2	1	plug m 28 p.1.5
15	2.1539.047.0	1	special oil seal 26.7x1.78
16	2.1099.108.2	4	special nut m 10 p.1
17	2.1560.006.0	8	gasket 10.2 x 16
18	0.086.1550.2	4	sprayer nozzle
19	0.065.1160.3/20	4	valve
20	0.049.1152.0	1	cock
21	2.1560.009.0	1	gasket 14.2x18
24	0.066.1152.0	4	gasket
25	9.08299.42.2	1	crankcase - X 916.4 W
26	0.065.1112.3	1	support
26	2.1699.165.0	1	bush 12.3x15x16
27	0.065.1114.0	3	old part number
28	0.065.1116.3	1	support
28	2.1699.165.0	1	bush 12.3x15x16
29	0.065.1117.0	10	screw m 12 x 100
30	0.066.1151.0	1	pin
31	0.065.1141.0	1	special bushing 59X55X30
32	0.065.1140.0	4	special bushing 59X55X20
33	2.3179.012.0	1	plug 60
34	2.3130.001.1	11	plug 1/8" gas
35	2.3130.002.1	2	plug 1/4" gas
36	2.3130.003.1	2	plug 3/8" gas
37	2.1324.011.0	1	plug
38	2.0112.511.2	8	screw m 14 p.2 x 30
39	2.0432.255.1	2	stud bolt m 12 p.1.75 - 12 p1.25x25
40	2.1651.912.0	2	cylindrical plug 12x28
41	2.1651.917.0	1	cylindrical plug 12x40

Section: ENGINE
CRANKCASE

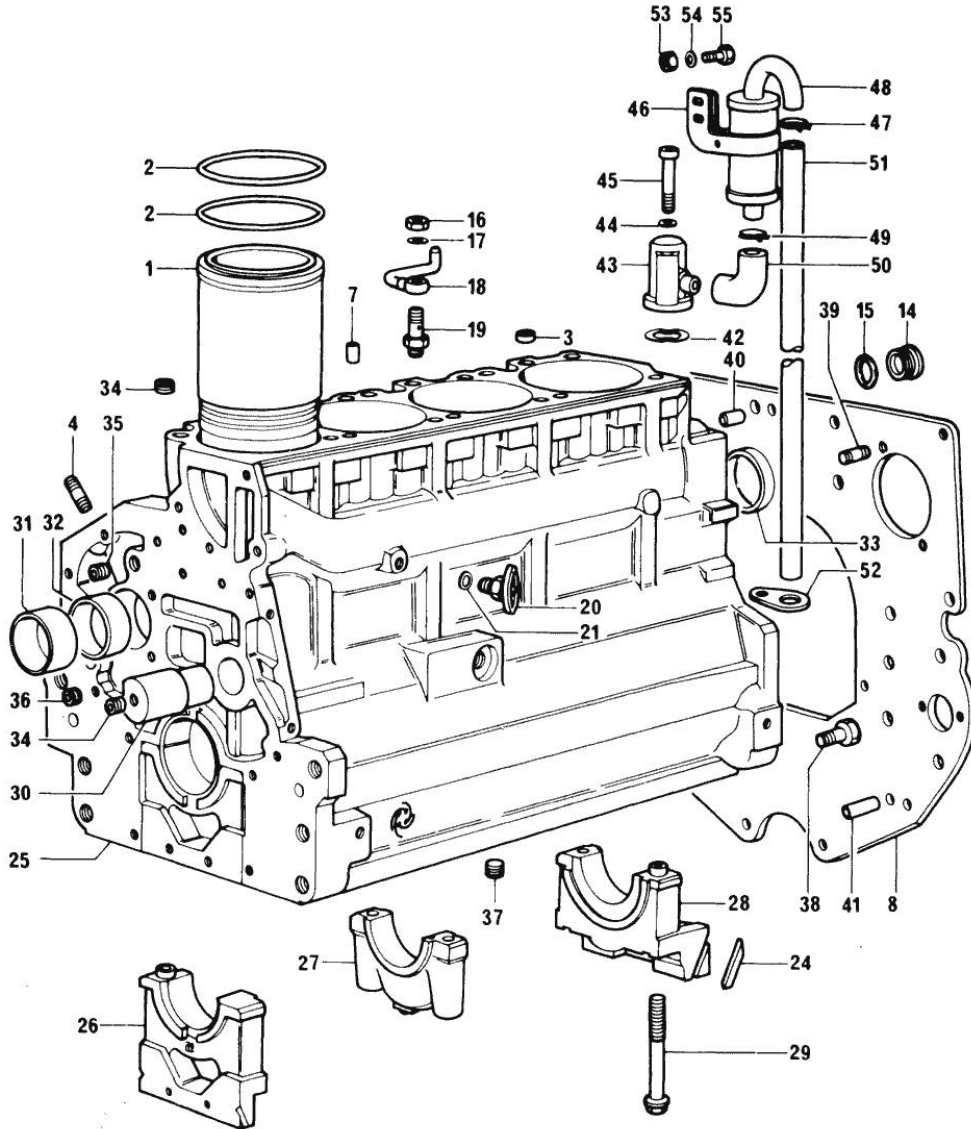


Fig.	P/n	QTY	Name
42	0.065.1165.2	1	sediment bowl (...)<=
43	0.065.1143.3/10	1	body (...)<=
44	2.1470.004.2	2	lock washer 8
45	2.0312.219.2	2	screw m 8 p.1.25x65
46	2.6859.074.2/10	1	clamp (...)<=
47	2.6859.072.2	1	clamp (...)<=
48	0.065.1165.2	1	sediment bowl (...)<=
49	2.6859.073.2	2	clamp (...)<=
50	0.065.1166.0	1	sleeve (...)<=
51	0.065.1155.0/10	1	tube (...)<=
52	0.065.1157.0	1	bracket (...)<=
53	2.1011.103.2	1	nut m 6 p.1
54	2.1470.002.2	1	lock washer 6
55	2.0112.004.2	1	screw m 6 p.1 x 14

296-1

<https://www.ebooklibonline.com>

Hello dear friend!

Thank you very much for reading.

Enter the link into your browser.

The full manual is available for immediate download.

<https://www.ebooklibonline.com>

CRANKSHAFT - HARMONIC BALANCER

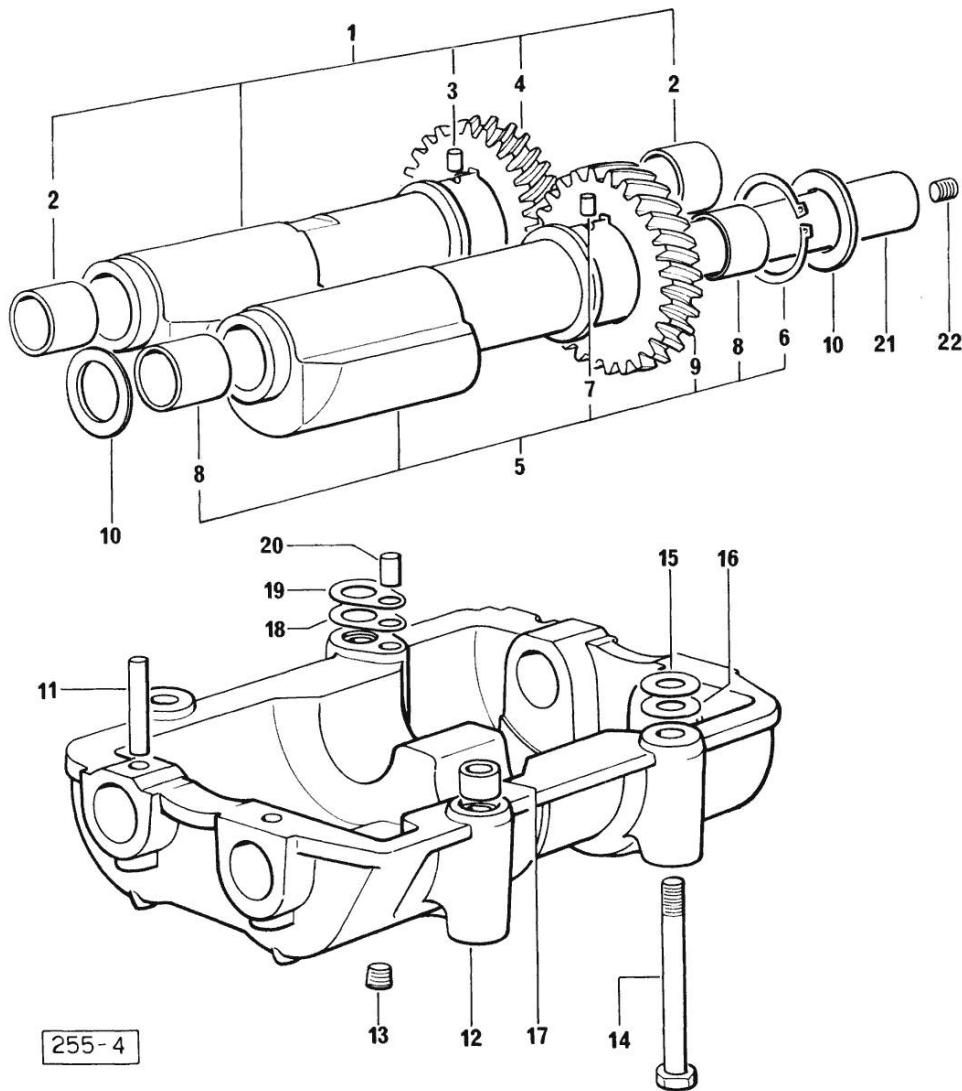


Fig.	P/n	QTY	Name
------	-----	-----	------

Notes:
[H 488 T]

1	0.086.1233.3/10	1	mass
2	2.1559.115.0	2	special bushing 26x30x30
3	2.1652.302.0	1	roll pin 4x6
4	0.065.1237.0/10	1	gear
5	0.065.1233.3/10	1	mass
6	2.1410.018.1	1	circlip 45
7	2.1652.302.0	1	roll pin 4x6
8	2.1559.115.0	2	special bushing 26x30x30
9	0.065.1238.0	1	gear
10	2.1589.185.0	4	shoulder ring 26.1x34x1
11	2.1631.717.0	2	roll pin 8 x 40
12	0.086.1231.3	1	old part number
13	2.3130.001.1	4	plug 1/8" gas
14	2.0112.427.1	4	screw m 12 p.1.75 x 90
15	2.1589.048.0	2	shoulder ring 16.5x26x0.3
15	2.1589.049.0	2	shoulder ring 12.5x26x0.3
16	2.1579.628.0	2	spacer 16.5x26x0.1
16	2.1579.629.0	2	spacer 12.5x26x0.1
17	2.1579.626.0	2	spacer 13.2x16x11
18	2.1589.139.0	2	shoulder ring mm 0.3
19	2.1589.140.0	2	shoulder ring mm 0.1
20	2.1699.191.0	1	bush 7x10x16
21	0.065.1234.3	2	old part number
22	2.3130.001.1	2	plug 1/8" gas

Section: ENGINE

CAMSHAFT

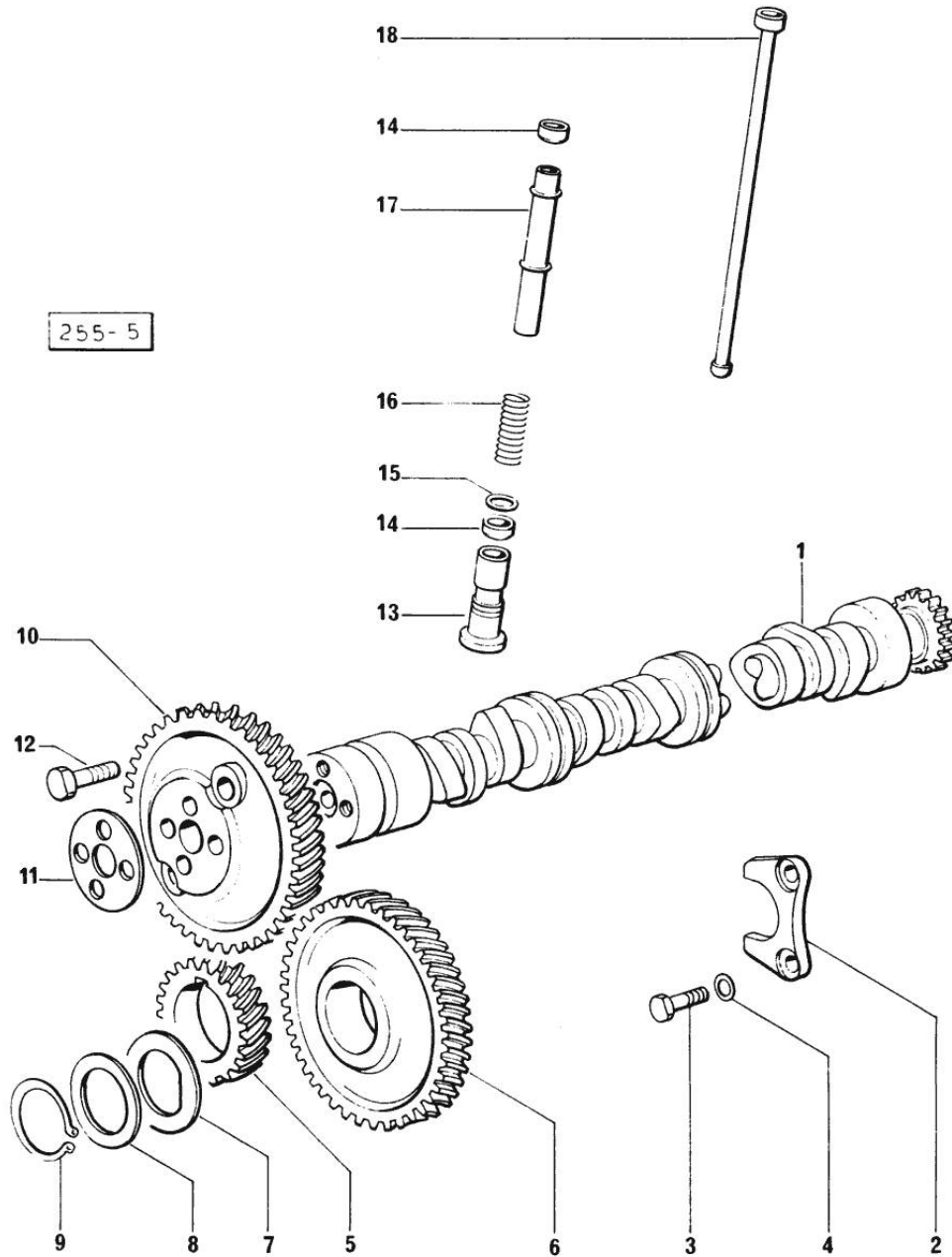


Fig.	P/n	QTY	Name
------	-----	-----	------

Notes:
[H 488 T]

1	0.065.1324.0	1	gear
1	0.066.1310.3/10	1	old part number
2	0.065.1353.0	1	small plate
3	2.0312.205.2	2	screw
4	2.1480.014.1	2	washer 8
5	0.065.1323.0/20	1	gear Z = 29
6	0.065.1325.3/20	1	gear Z = 57
6	2.1559.185.0	1	special bushing
7	0.065.1351.0	2	shoulder ring
8	0.065.1352.0	1	shim
9	2.1410.016.1	1	circlip 40
10	0.065.1354.0/10	1	gear z=58
11	0.065.1350.0	1	small disc
12	2.0132.207.2	4	screw m 10 p.1 x 25
13	0.065.1330.0	8	tappets
14	2.1569.114.0	16	gasket
15	2.1599.437.0	8	shoulder ring
16	2.4019.300.1	8	spring
17	0.065.1332.0	8	sleeve
18	0.065.1331.2	8	rod

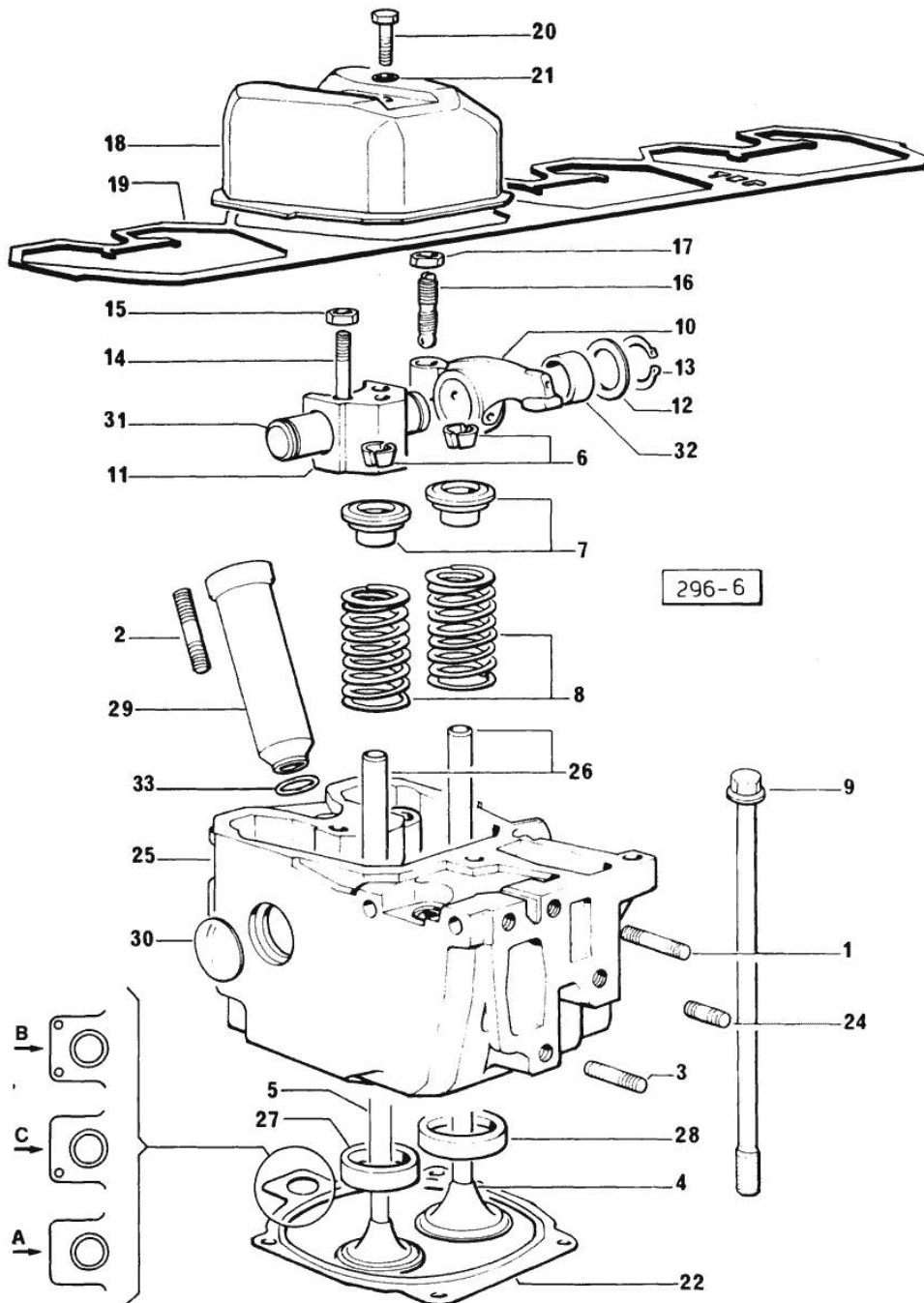
Section: ENGINE
CYLINDER HEAD

Fig.	P/n	QTY	Name
Notes:			
[H 488 T]			
1	2.0432.011.7	4	stud bolt m 8 p.1.25 / p.1 x 40
2	2.0432.161.7	4	stud bolt m 10 p.1.5 / p.1.25 x 40
3	2.0432.007.7	8	stud bolt m 8 p.1.25 / p.1 x 30
4	0.081.1420.0	4	inlet valve Ø mm 9
5	0.066.1421.0	4	exhaust valve
6	0.074.1423.0	8	conical valve cotter
7	0.066.1425.0	8	cup
8	2.4019.287.0	8	spring
9	0.066.1443.0/10	16	screw
10	0.066.1432.0	8	rocker arm
11	0.066.1430.0	4	support
12	2.1599.432.0	8	shoulder ring
13	2.1410.055.1	8	circlip 19
14	2.0432.163.7	8	stud bolt m 10 p.1.5 / p.1.25 x 45
15	2.1011.421.2	8	nut m 10 p.1.25
16	0.021.1434.0	8	screw
17	2.1011.405.2	8	nut m 8 p.1
18	0.066.1440.0/10	4	small cap
19	0.065.1450.0/10	4	gasket
20	2.0112.211.2	4	screw m 8 p.1.25 x 30
21	2.1560.204.0	4	gasket
22	0.078.1451.0/10	4	gasket mm 1.20
22	0.078.1452.0/10	4	gasket mm 1.40
22	0.078.1453.0/10	4	gasket mm 1.60
24	2.0432.005.7	4	stud bolt m 8 p.1.5 / p.1 x 25
25	0.078.1410.3/30	4	old part number
26	0.066.1416.0	8	valve guide
27	0.066.1427.0	4	valve seat
28	0.078.1426.0	4	valve seat
29	0.066.1413.0	4	bush
30	2.3170.012.1	8	expansion plug 30
31	0.066.1431.0	4	pin
32	2.1559.021.0/40	8	bushing 15x19x22
33	2.1530.056.0	4	oil seal 21.82 x 3.53

Section: ENGINE
LUBRICATION

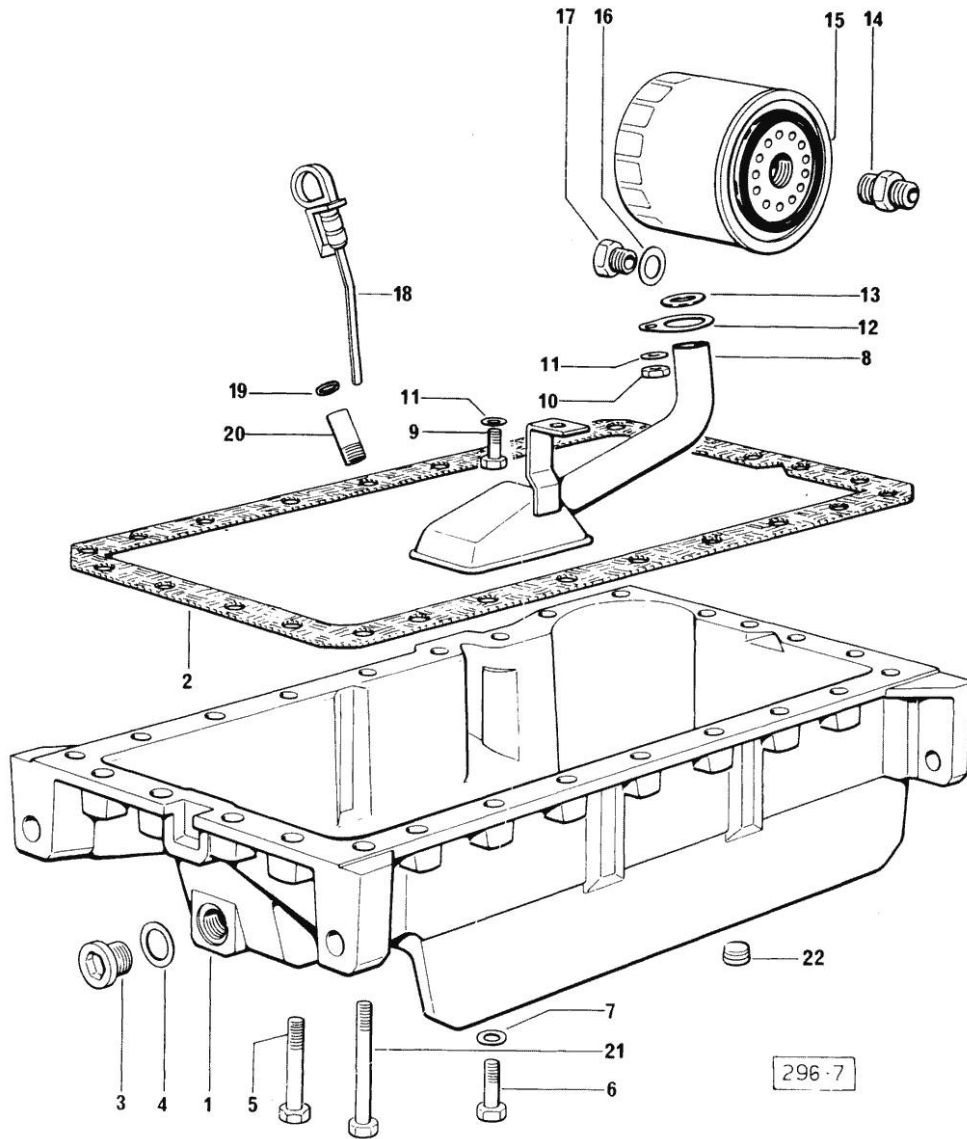


Fig.	P/n	QTY	Name
------	-----	-----	------

Notes:
[H 488 T]

1	0.065.1510.0/20	1	oil sump
2	0.065.1550.0	1	gasket
3	2.3199.001.2	1	plug 1/2" gas
4	2.1560.054.0	1	gasket 21 x 26
5	2.0112.227.2	9	screw m 8 p.1.25 x 90
6	2.0112.215.2	17	screw m 8 p.1.25 x 40
7	2.1470.004.2	26	lock washer 8
8	0.065.1531.3	1	tube
9	2.0112.205.2	1	screw m 8 p.1.25 x 16
10	2.1011.105.2	1	nut m 8 p.1.25
11	2.1470.004.2	2	lock washer 8
12	0.065.1538.0	1	flange
13	2.1539.040.0	1	special oil seal 21.82 x 3.53
14	2.3339.307.1/20	1	pipe fitting
15	2.4419.340.0	1	oil filter element
16	2.1560.014.0	1	washer 18.2 x 24
17	2.3339.353.2/10	1	pipe fitting 12 p.1.5-18 p.1.5
18	0.066.1513.2/10	1	dipstick mm 106
19	2.1539.065.0	2	special oil seal 8.73 x 1.78
20	0.066.1551.0	1	spacer
21	2.0112.235.2	3	screw m 8 p.1.25 x 130
22	2.3130.003.1	1	plug 3/8" gas

Section: ENGINE
LUBRICATION

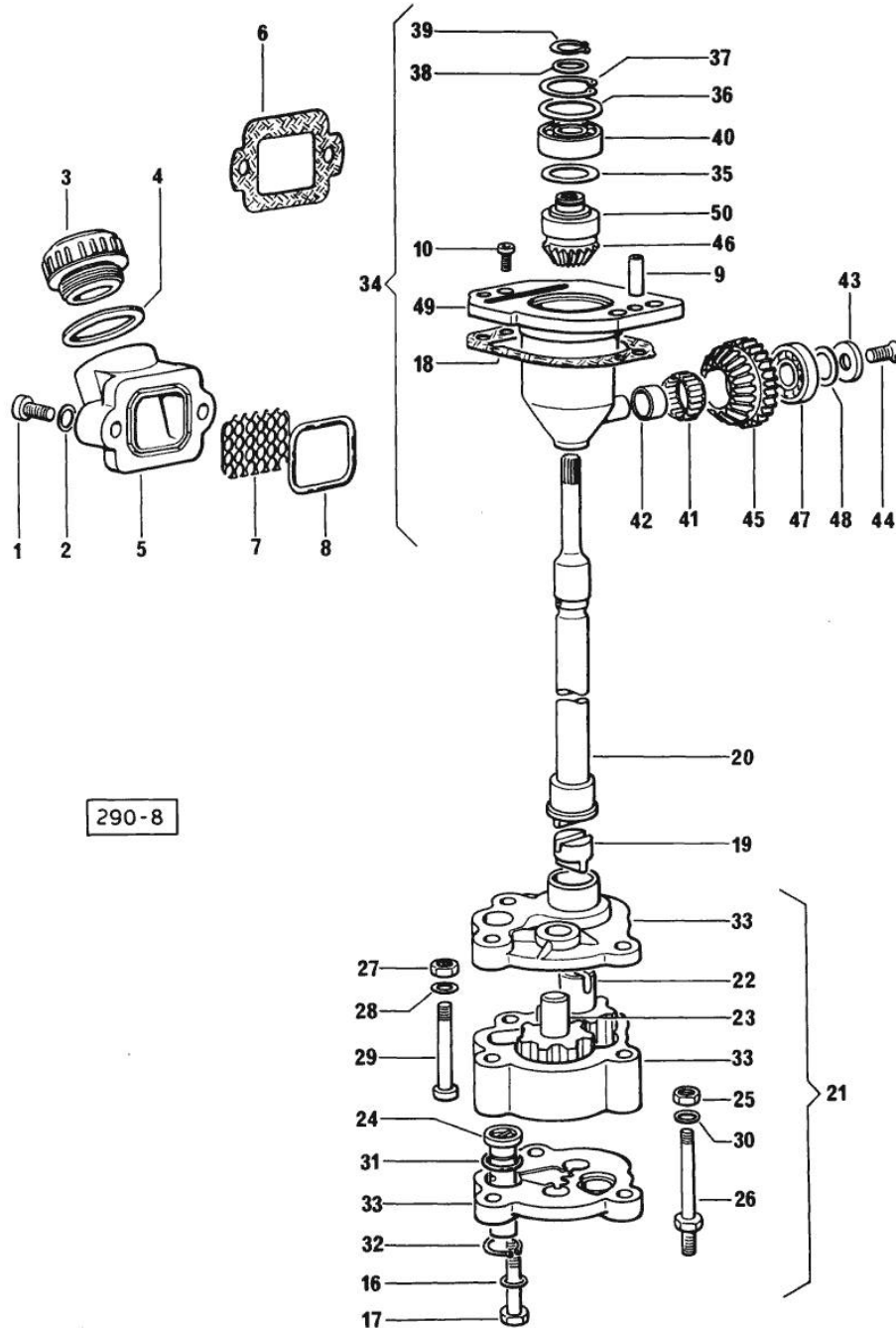


Fig.	P/n	QTY	Name
------	-----	-----	------

Notes:
[H 488 T]

1	2.0312.205.2	2	screw
2	2.1480.014.1	2	washer 8
3	0.041.1135.4	1	plug 1" gas
4	2.1569.072.0	1	gasket 32 x 39.5 x 2
5	0.065.1565.0/10	1	pipe union
6	0.065.1566.0	1	gasket
7	0.065.1567.0/10	1	filter
8	2.1539.042.0	1	special oil seal 47.35x1.78
9	2.1652.711.0	2	cylindrical plug 8x25
10	2.0169.005.2	2	screw m 6 p.1 x 12
16	2.1470.006.2	2	lock washer 10
17	2.0112.324.2	2	screw m 10 p.1.5x75
18	0.065.1560.0/10	1	gasket
19	0.065.1562.0	1	joint
20	0.065.1569.0	1	shaft
21	9.06599.41.2	1	oil pump
22	0.065.1523.3/20	1	old part number
23	0.065.1521.3/10	1	old part number
24	0.065.1552.3/30	1	valve
25	2.1011.105.2	1	nut m 8 p.1.25
26	2.0399.118.2	1	screw
27	2.1011.103.2	1	nut m 6 p.1
28	2.1480.012.1	1	washer 6, d128
29	2.0312.116.1	1	old part number
30	2.1480.014.1	1	washer 8
31	2.1539.041.0	1	special oil seal
32	2.1410.004.1	1	circlip 16
33	0.000.0000.1	1	cannot be supplied
34	0.075.1551.4/10	1	old part number
35	2.1589.148.0	1	shoulder ring 28.2 x 31.8 x 0.5
36	2.1589.149.0	1	old part number
36	2.1589.150.0	1	shoulder ring 28.2 x 31.8 x 0.1
36	2.1589.151.0	1	shoulder ring 28.2 x 31.8 x 0.15
37	2.1411.013.1	1	circlip 32
38	2.1589.146.0	1	shoulder ring 15.2 x 19 x 0.15
38	2.1589.147.0	1	shoulder ring 15.2 x 19 x 0.10
38	2.1589.153.0	1	shoulder ring 15.2 x 19 x 1.00
39	2.1410.057.1	1	circlip 15
40	2.2020.001.0	1	ball bearing 15 x 32 x 8.00
41	2.2725.016.0	1	roller cage 15 x 21 x 12
42	2.2680.020.0	1	ring 12 x 15 x 12

Section: ENGINE
LUBRICATION

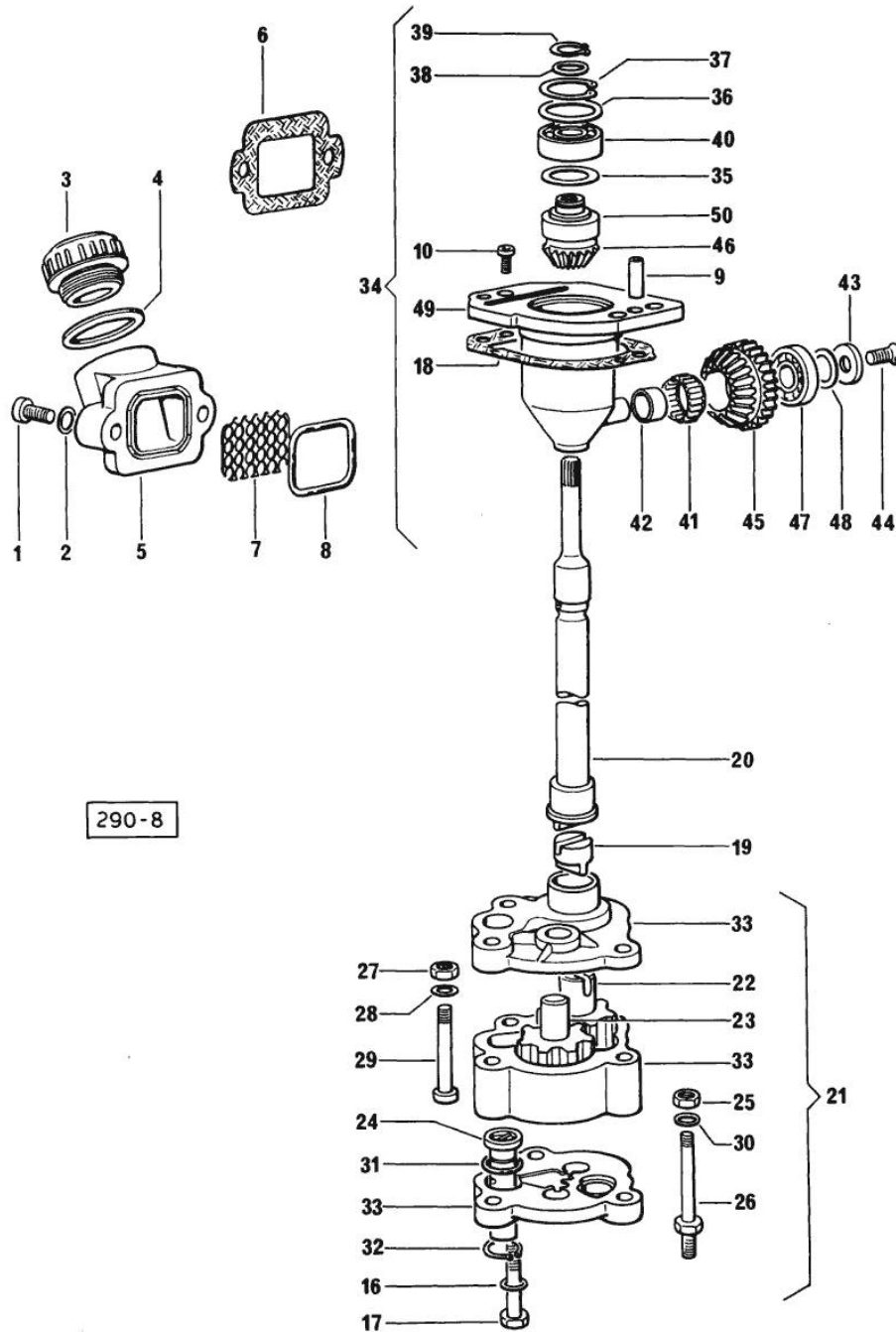


Fig.	P/n	QTY	Name
43	2.1599.483.0	1	shoulder ring
44	2.0342.202.2	1	screw
45	0.065.1561.0/10	1	old part number
46	0.065.1558.0/10	1	old part number
47	2.2030.002.0	1	ball bearing 12 x 28 x 8
48	2.1589.143.0	1	shoulder ring mm 0.5
48	2.1589.144.0	1	shoulder ring mm 0.15
48	2.1589.145.0	1	shoulder ring mm 0.10
49	0.075.1551.3	1	old part number
50	0.065.1559.0	1	bush



Suggest:

For more complete manuals. Please go to the home page.

<https://www.ebooklibonline.com>

If the above button click is invalid. Please download this document first, and then click the above link to download the complete manual.

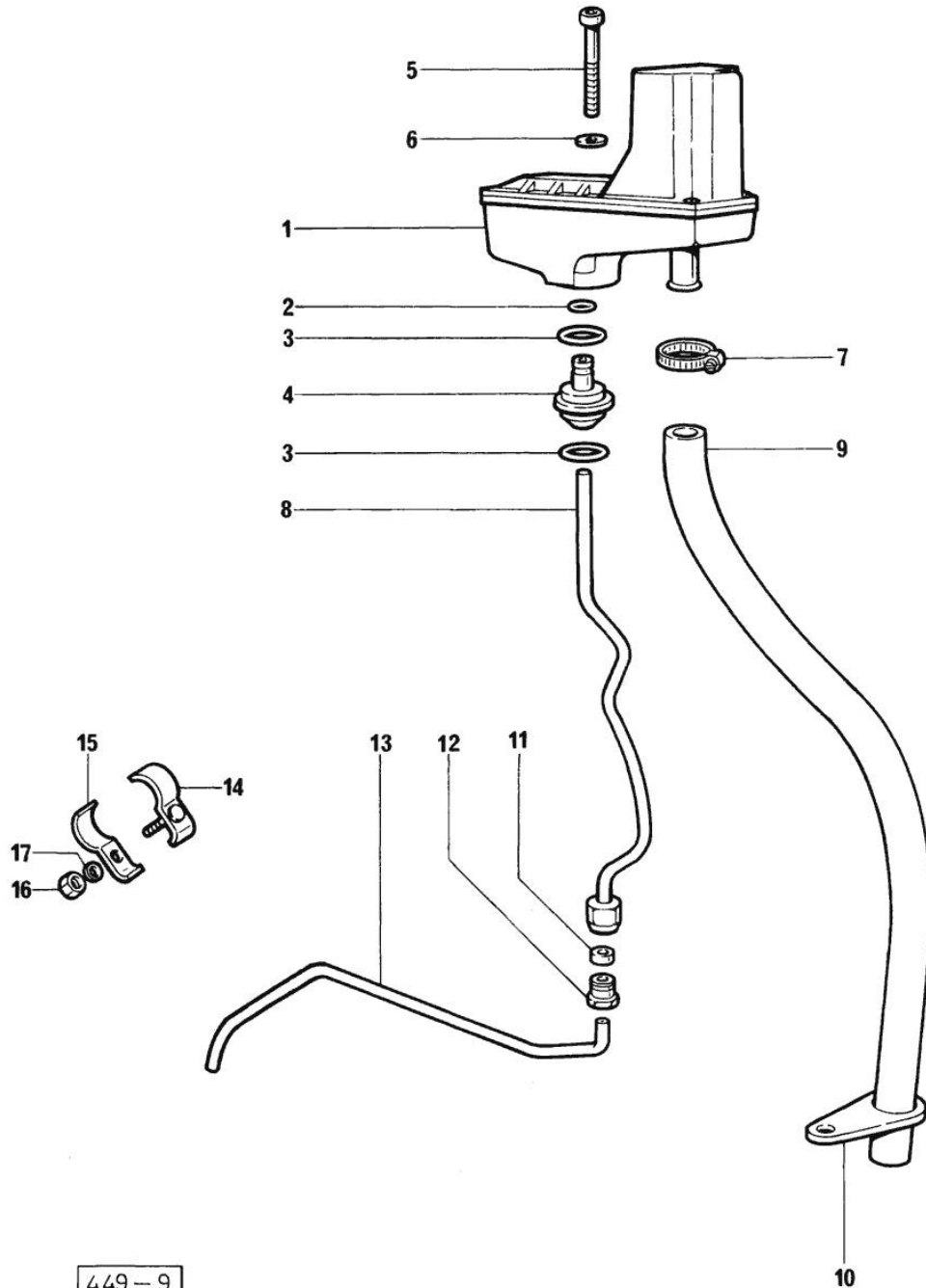
Thank you so much for reading

Section: ENGINE
LUBRICATION => (...)

Fig.	P/n	QTY	Name
------	-----	-----	------

 Notes:
 [H 488 T]

1	0.000.0000.1	1	cannot be supplied ☞ 01.00.8
2	2.1539.074.0	1	special oil seal 7.66 x 1.78
3	2.1539.072.0	2	special oil seal 23.52 x 1.78
4	0.066.1558.0	1	bush
5	2.0312.221.2	2	screw m 8 p.1.25x75
6	2.1480.014.1	2	washer 8
7	2.6859.073.2	1	clamp
8	0.066.1557.2	1	tube
9	0.066.1559.0	1	tube
10	0.075.1151.0	1	bracket
11	2.3350.003.1	1	nosepiece 8
12	2.3339.418.1	1	pipe fitting m 12 p.1
13	0.066.1556.0	1	tube
14	0.075.1552.2	2	bracket
15	0.075.1552.0	2	bracket
16	2.1011.103.2	2	nut m 6 p.1
17	2.1470.002.2	2	lock washer 6



449-9

Section: ENGINE

OIL VAPORS SEDIMENT BOWL PARTS

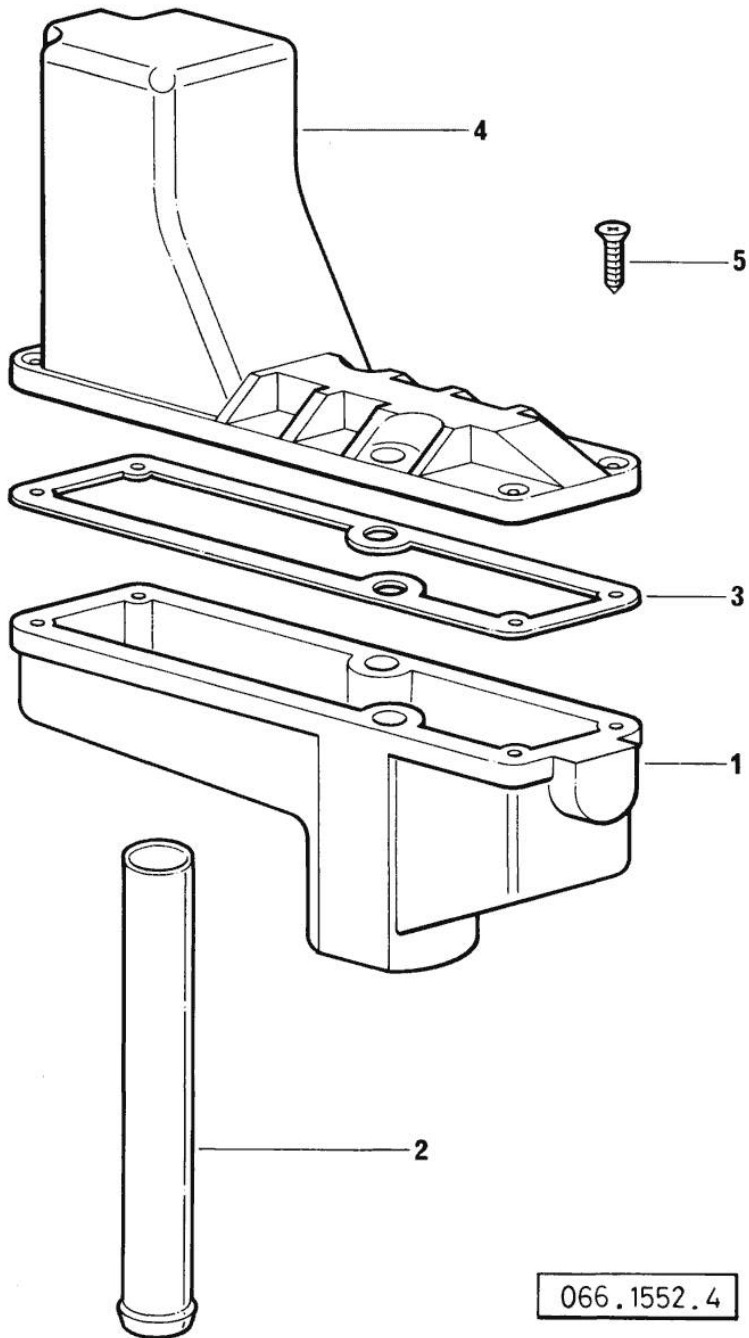


Fig.	P/n	QTY	Name
------	-----	-----	------

Notes:
[H 488 T]

1	0.066.1552.0	1	sediment bowl
2	0.066.1555.0	1	tube
3	0.066.1554.0	1	gasket
4	0.066.1553.0	1	cover
5	2.0351.205.2	4	old part number

066.1552.4

<https://www.ebooklibonline.com>

Hello dear friend!

Thank you very much for reading.

Enter the link into your browser.

The full manual is available for immediate download.

<https://www.ebooklibonline.com>