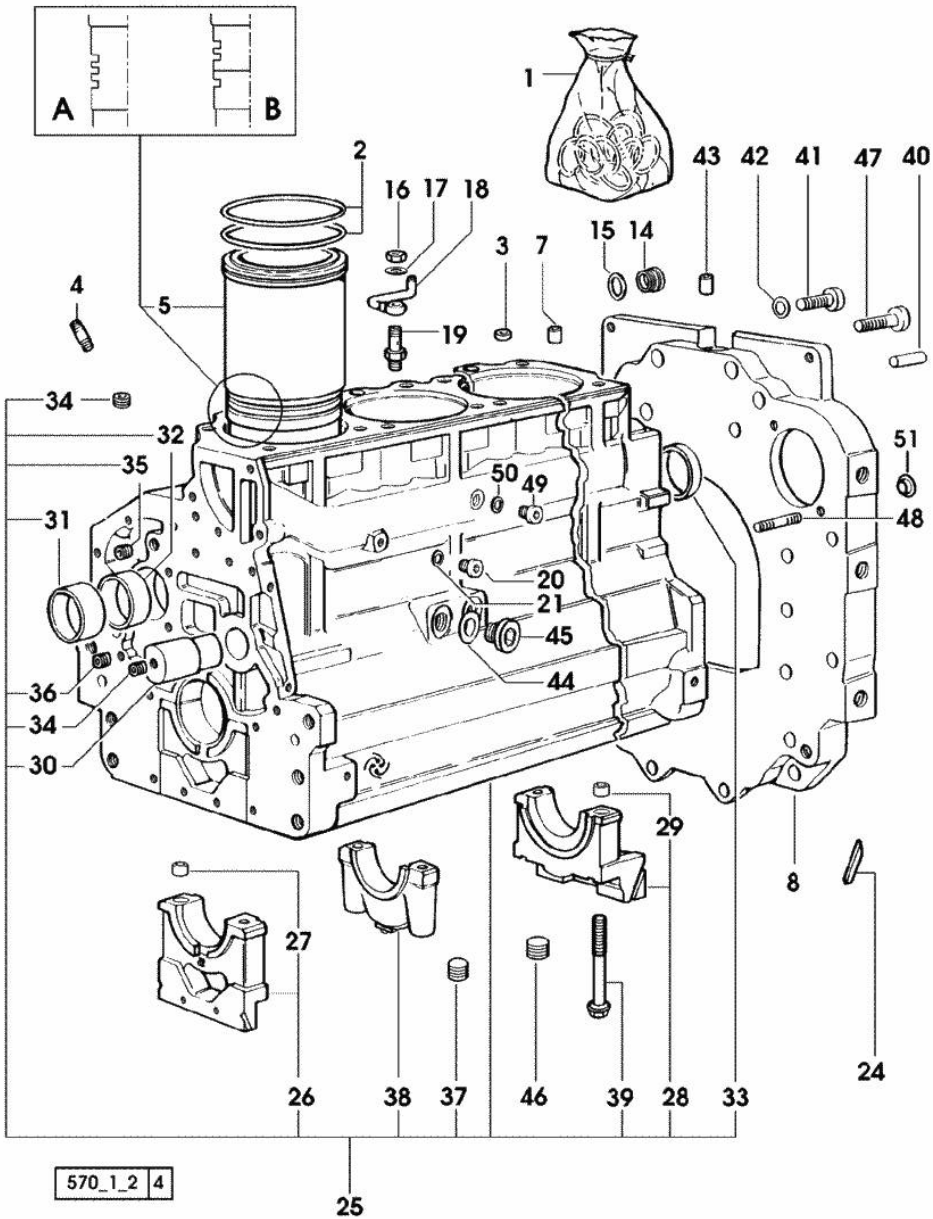
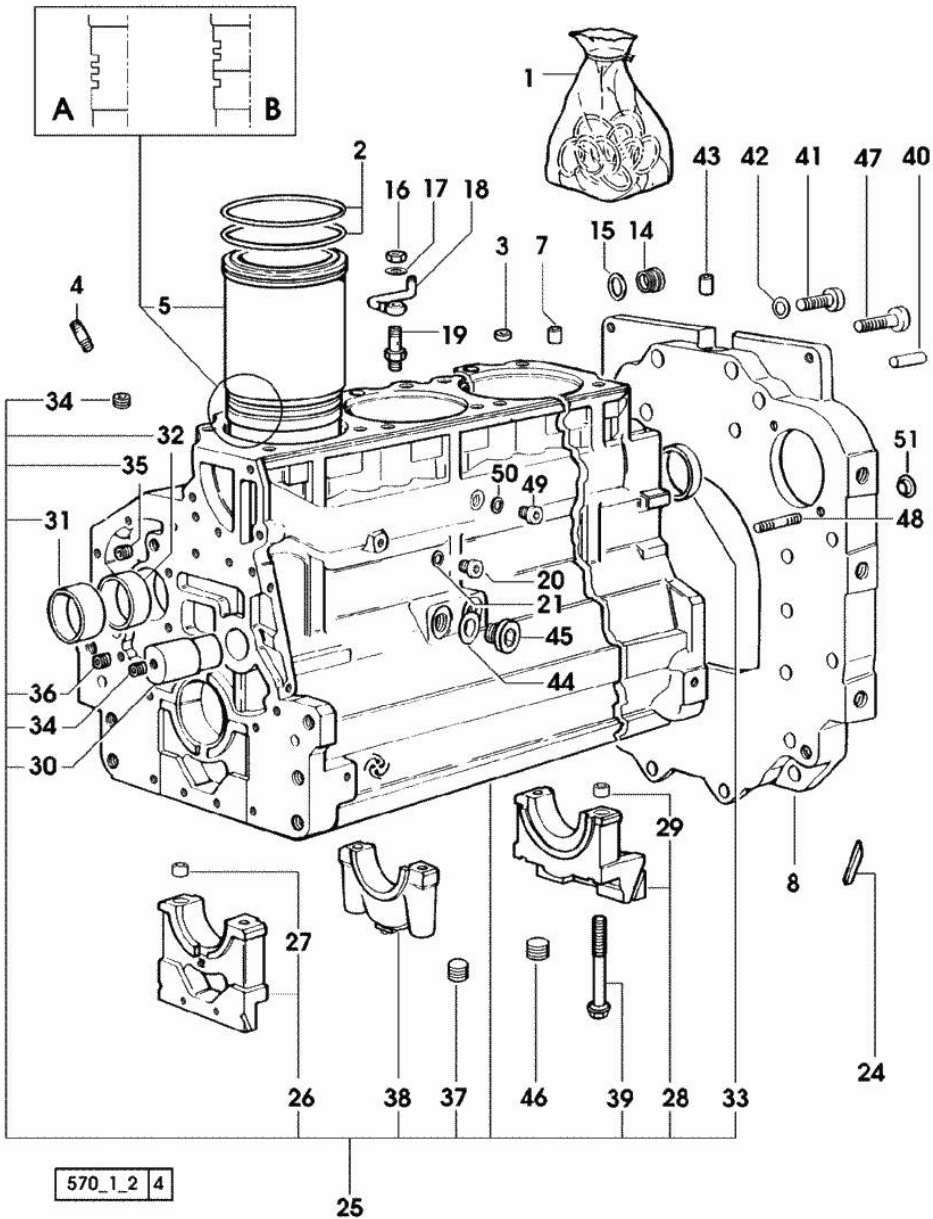


Section: ENGINE
CRANKCASE



| Fig. | P/n | QTY | Name |
|-----------------------------|-----------------|-----|---|
| Notes: [H-481-XF] | | | |
| 1 | 0.089.0050.6 | 1 | gasket set - X H 481 XF - FOR ENGINE MOUNTING |
| 1 | 0.090.0050.6 | 1 | gasket set - X H 491 XF - FOR ENGINE MOUNTING |
| 2 | 2.1519.096.0/20 | 12 | special oil seal 107.67x1.78 2437<= X H 481 XF 2688 <= X H 491 XF |
| 2 | 2.1539.193.0 | 8 | special oil seal 107.62x2.62 => 2438 X H 481 XF => 2689 X H 491 XF |
| 3 | 2.1559.188.2 | 4 | bush 11.4 x 14 x16 |
| 4 | 2.0432.003.7 | 12 | stud bolt m 8 p.1.25 / p.1 x 20 |
| 5 | 0.009.7500.0/10 | 4 | engine cylinder = A 1120 <= X H 481 XF 1439 <= X H 491 XF |
| 5 | 0.011.0582.0 | 4 | engine cylinder = B => 1121 - 2437<= X H 481 XF => 1440 - 2688 <= X H 491 XF |
| 5 | 0.A12.2675.0 | 4 | engine cylinder "A" => 2438 X H 481 XF => 2689 X H 491 XF |
| 5 | 0.B12.2675.0 | 4 | engine cylinder "B" => 2438 X H 481 XF => 2689 X H 491 XF |
| 7 | 2.1549.154.2 | 4 | bush 4.8x5.8x16 |
| 8 | 0.007.1414.0/10 | 1 | flange - FOR MODELS WITH ELECTRONIC ENGINE GOVERNOR |
| 8 | 0.330.1130.0/10 | 1 | flange - FOR MODELS WITH MECHANICAL ENGINE GOVERNOR |
| 14 | 2.3199.405.2 | 1 | plug m 28 p.1.5 |
| 15 | 2.1532.072.0 | 1 | oil seal 26.70x1.78 |
| 16 | 2.1099.108.2 | 4 | special nut m 10 p.1 |
| 17 | 2.1560.006.0 | 8 | gasket 10.2 x 16 |
| 18 | 0.086.1550.2 | 4 | sprayer nozzle |
| 19 | 0.065.1160.3/20 | 4 | valve |

Section: ENGINE
CRANKCASE



| Fig. | P/n | QTY | Name |
|------|-----------------|-----|---|
| 20 | 2.3199.292.0 | 1 | plug 1/4" gas |
| 21 | 2.1560.010.0 | 1 | gasket 14.2 x 20 |
| 24 | 0.066.1152.0/10 | 4 | gasket |
| 25 | 0.082.1110.6/20 | 1 | crankcase * 2437 <= X H 481 XF * 2688 <= X H 491 XF - N.4 011.0183.0/10 - N.8 2.1539.193.0 |
| 26 | 0.065.1112.7 | 1 | support |
| 27 | 2.1699.165.0 | 1 | bush 12.3x15x16 |
| 28 | 0.065.1116.3 | 1 | support |
| 29 | 2.1699.165.0 | 1 | bush 12.3x15x16 |
| 30 | 0.066.1151.0 | 1 | pin |
| 31 | 0.065.1141.0 | 1 | special bushing 59X55X30 |
| 32 | 0.065.1140.0 | 4 | special bushing 59X55X20 |
| 33 | 2.3179.012.0 | 1 | plug 60 |
| 34 | 2.3130.001.1 | 11 | plug 1/8" gas |
| 35 | 2.3130.002.1 | 2 | plug 1/4" gas |
| 36 | 2.3130.003.1 | 5 | plug 3/8" gas |
| 37 | 2.1324.011.0 | 1 | plug |
| 38 | 0.065.1114.0/10 | 3 | support |
| 39 | 0.065.1117.0 | 10 | screw m 12 x 100 |
| 40 | 2.1651.912.0 | 2 | cylindrical plug 12x28 |
| 41 | 2.0312.516.1 | 2 | screw m 14 p.2x50 |
| 42 | 2.1480.018.1 | 2 | washer 14 |
| 43 | 2.1549.154.2 | 4 | bush 4.8x5.8x16 |
| 44 | 2.1560.017.0 | 1 | gasket 22.2 x 27 |
| 45 | 2.3120.002.4 | 1 | plug m 22 x 1.5 |
| 46 | 2.3130.003.1 | 1 | plug 3/8" gas |
| 47 | 2.0112.511.1 | 8 | screw m 14 p.2 x 30 |
| 48 | 2.0432.255.7 | 1 | stud bolt m 12 p.1.75-1.25x25 |
| 48 | 2.0439.250.7 | 1 | stud bolt m 12 / m 10 x 30 |
| 49 | 2.3120.101.0 | 1 | plug m 18 p.1.5 => 2438 X H 481 XF => 2689 X H 491 XF |
| 50 | 2.1560.014.0 | 1 | washer 18.2 x 24 |
| 51 | 0.011.9294.0/10 | 1 | bush |

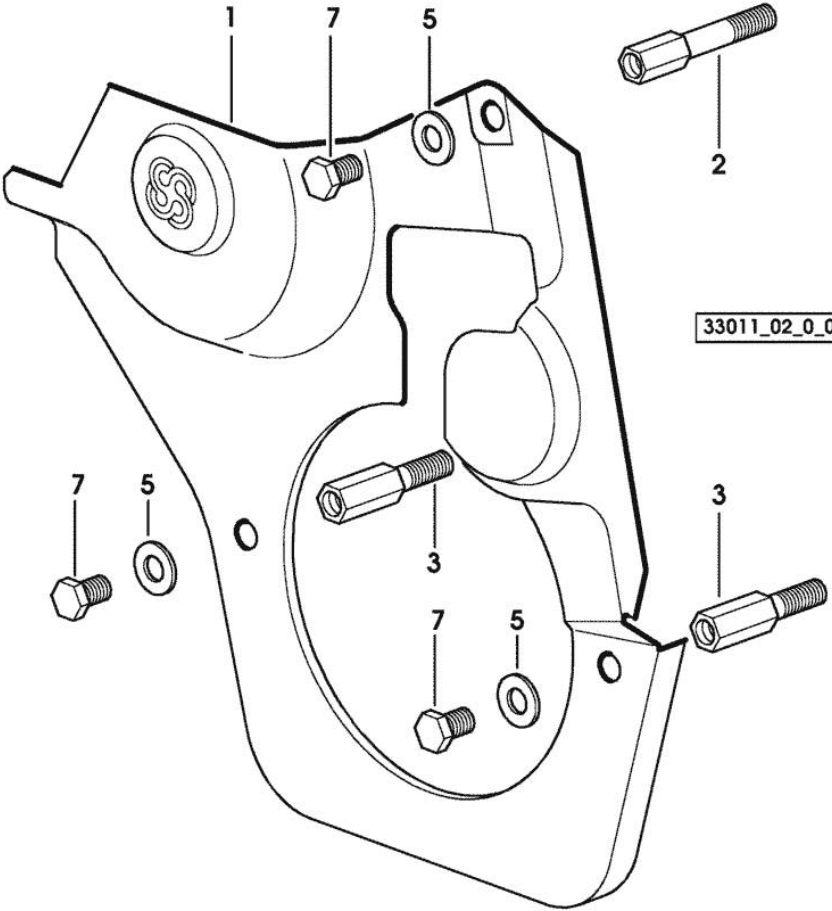
570_1_2 | 4

Section: ENGINE
TIMING CASE

| Fig. | P/n | QTY | Name |
|------|-----|-----|------|
|------|-----|-----|------|

Notes:
[H-481-XF]

| | | | |
|---|-----------------|---|-------------------------------------|
| 1 | 0.007.1262.3/50 | 1 | guard |
| 2 | 0.007.1271.0/10 | 1 | small column m 8 p.1.25 / L = mm 60 |
| 3 | 0.007.1272.0/10 | 2 | small column m 8 p.1.25 / L = mm 50 |
| 5 | 2.1310.004.2 | 3 | flat washer 8.4x17 |
| 7 | 2.0112.205.2 | 3 | screw m 8 p.1.25 x 16 |



<https://www.ebooklibonline.com>

Hello dear friend!

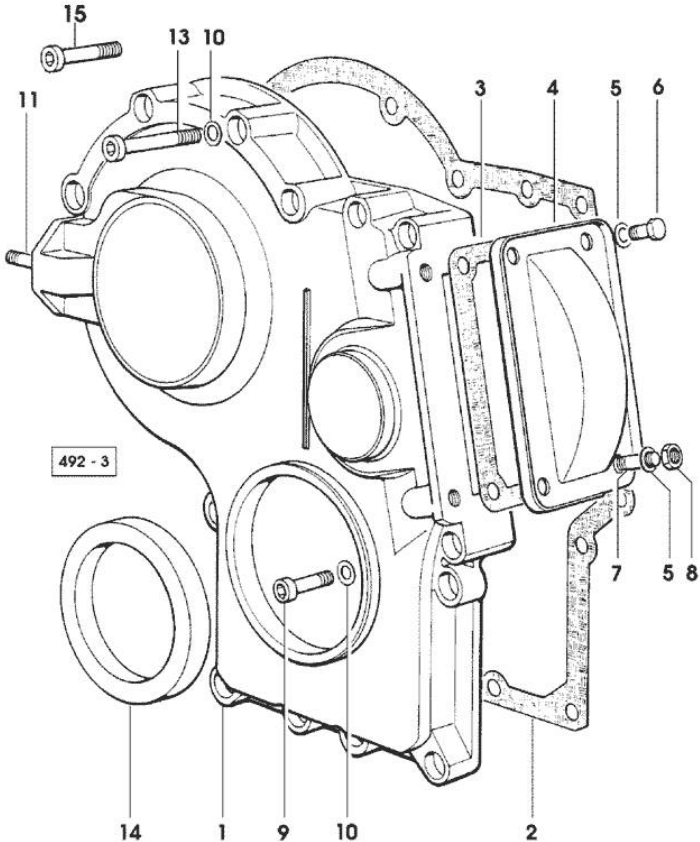
Thank you very much for reading.

Enter the link into your browser.

The full manual is available for immediate download.

<https://www.ebooklibonline.com>

Section: ENGINE
TIMING CASE



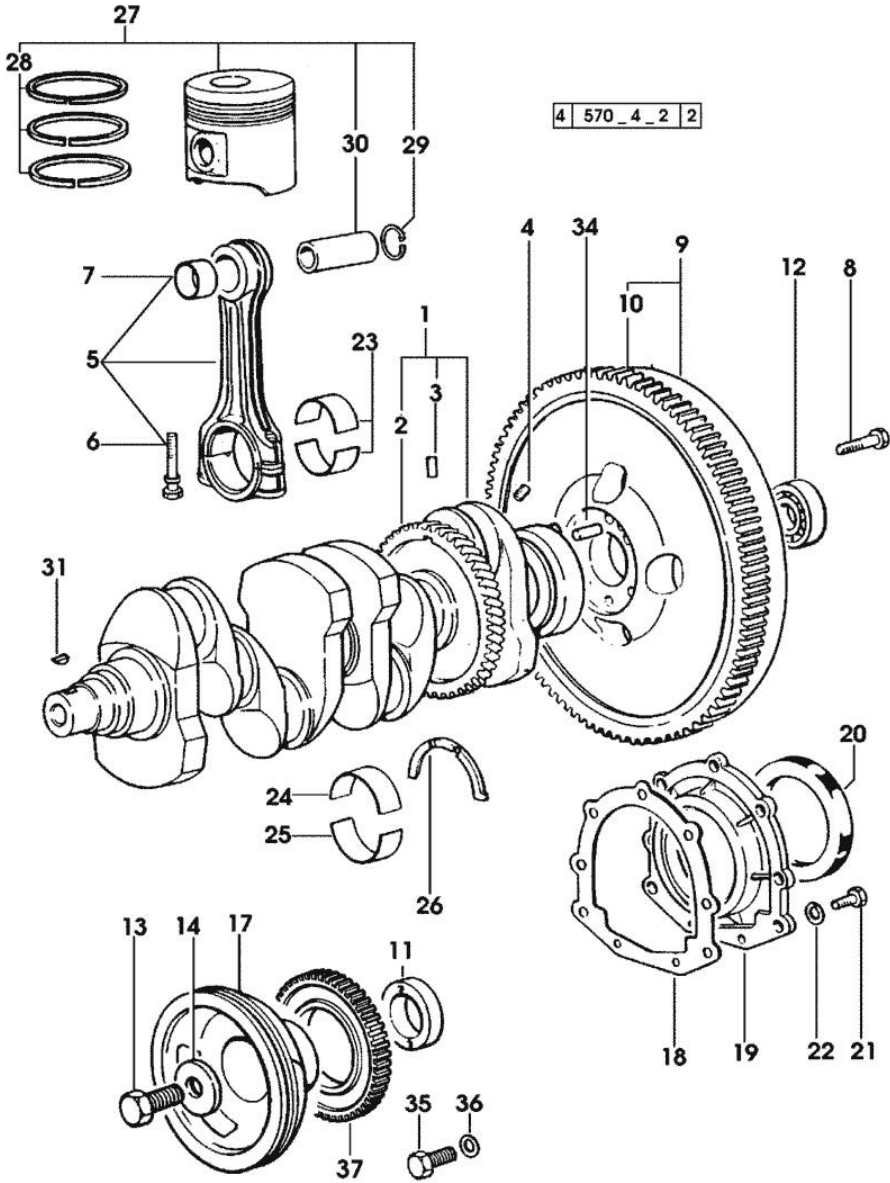
| Fig. | P/n | QTY | Name |
|---------------|-----------------|-----|---------------------------------|
| Notes: | | | |
| [H-481-XF] | | | |
| 1 | 0.065.1132.0/60 | 1 | guard |
| 2 | 0.065.1150.0/30 | 1 | gasket |
| 3 | 0.065.1152.0 | 1 | gasket |
| 4 | 0.065.1151.0 | 1 | cover |
| 5 | 2.1470.004.2 | 4 | lock washer 8 |
| 6 | 2.0112.205.2 | 2 | screw m 8 p.1.25 x 16 |
| 7 | 2.0432.005.7 | 2 | stud bolt m 8 p.1.5 / p.1 x 25 |
| 8 | 2.1011.405.2 | 2 | nut m 8 p.1 |
| 9 | 2.0312.208.2 | 8 | screw m 8 p.1.25 x 25 |
| 10 | 2.1480.014.1 | 15 | washer 8 |
| 11 | 2.0432.003.7 | 2 | stud bolt m 8 p.1.25 / p.1 x 20 |
| 13 | 2.0312.214.2 | 7 | screw m 8 p.1.25 x 40 |
| 13 | 2.0312.219.2 | 4 | screw m 8 p.1.25x65 |
| 14 | 2.1529.141.0 | 1 | special oil seal |
| 15 | 2.0312.214.1 | 3 | screw m 8 p.1.25 x 40 |
| | | | - X H 361 XF |

Section: ENGINE
CRANKSHAFT

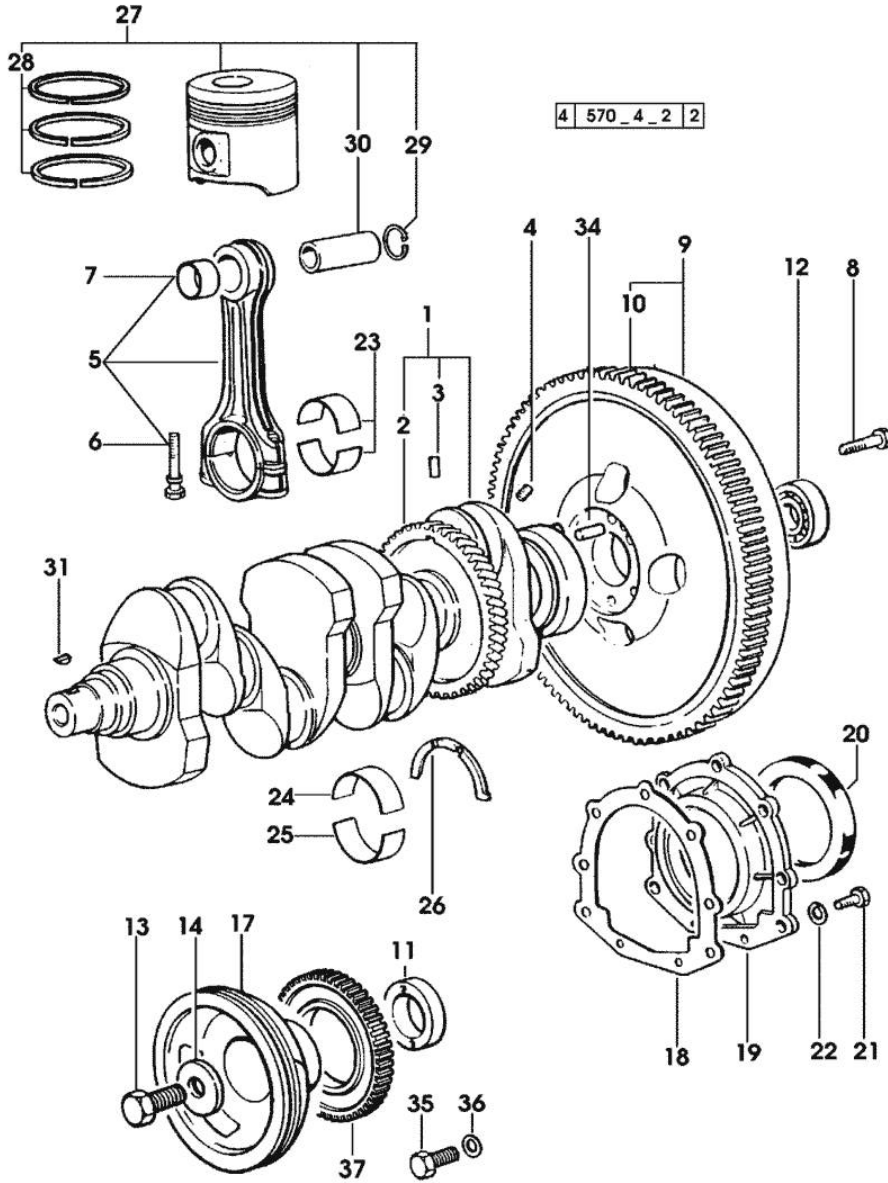
| Fig. | P/n | QTY | Name |
|------|-----|-----|------|
|------|-----|-----|------|

Notes:
[H-481-XF]

| | | | |
|----|-----------------|---|---|
| 1 | 0.086.1210.3/30 | 1 | crankshaft * 1017 <= X H 491 XF - N.1 - 007.1711.0/10 |
| 2 | 0.065.1211.0/10 | 1 | crown wheel |
| 3 | 2.1630.608.0 | 1 | pin 6x16 |
| 4 | 2.3130.001.1 | 4 | plug 1/8" gas |
| 5 | 0.078.1220.3/30 | 4 | engine connecting rod |
| 6 | 2.0399.213.0 | 2 | screw m 12 p.1.25x61.5 |
| 7 | 2.1559.114.0/10 | 1 | special bushing |
| 8 | 0.330.1250.0 | 6 | screw m 12 p.1.25x98 |
| 9 | 0.332.1247.3/10 | 1 | flywheel |
| 10 | 0.065.1242.0 | 1 | crown wheel Z = 123 |
| 11 | 0.085.1248.0/10 | 1 | hub |
| 12 | 2.2041.008.0 | 1 | ball bearing 20x47x14 |
| 13 | 2.0399.144.7/10 | 1 | screw m 20 p.1.5x51 |
| 14 | 2.1599.524.7 | 1 | washer 21x60x12 |
| 17 | 0.007.1457.0/20 | 1 | pulley |
| 17 | 0.007.1458.0/30 | 1 | pulley - FOR TRACTORS WITH AIR CONDITIONING |
| 18 | 0.065.1254.0/20 | 1 | gasket |
| 19 | 0.007.1711.0/10 | 1 | cover => 1001 X H 481 XF => 1018 X H 491 XF |
| 19 | 0.065.1253.0/10 | 1 | cover 1017 <= X H 491 XF |
| 20 | 2.1529.073.0 | 1 | special oil seal 110x130x13 |
| 21 | 2.0112.207.2 | 9 | screw m 8 p 1.25 x 20 |
| 22 | 2.1475.002.2 | 9 | conical washer 8 |
| 23 | 0.065.1225.0 | 8 | con.rod half bushing STANDARD - A = 28.75 -> 29.00 |
| 23 | 0.065.1225.7 | | con.rod half bushing - mm 0.25 |
| 23 | 0.065.1225.8 | | con.rod half bushing - mm 0.50 |
| 24 | 0.065.1215.0 | 5 | main half bushing STANDARD |
| 24 | 0.065.1215.7 | | main half bushing - mm 0.25 |
| 24 | 0.065.1215.8 | | main half bushing - mm 0.50 |
| 25 | 0.065.1216.0 | 5 | main half bushing |
| 25 | 0.065.1216.7 | | main half bushing - mm 0.25 |
| 25 | 0.065.1216.8 | | main half bushing - mm 0.50 |
| 26 | 0.065.1218.0 | 4 | shim STANDARD |
| 26 | 0.065.1218.7 | | shim + mm 0.10 |
| 26 | 0.065.1218.8 | | shim + mm 0.15 |
| 27 | 0.086.0060.6/30 | 4 | complete piston |



Section: ENGINE
CRANKSHAFT

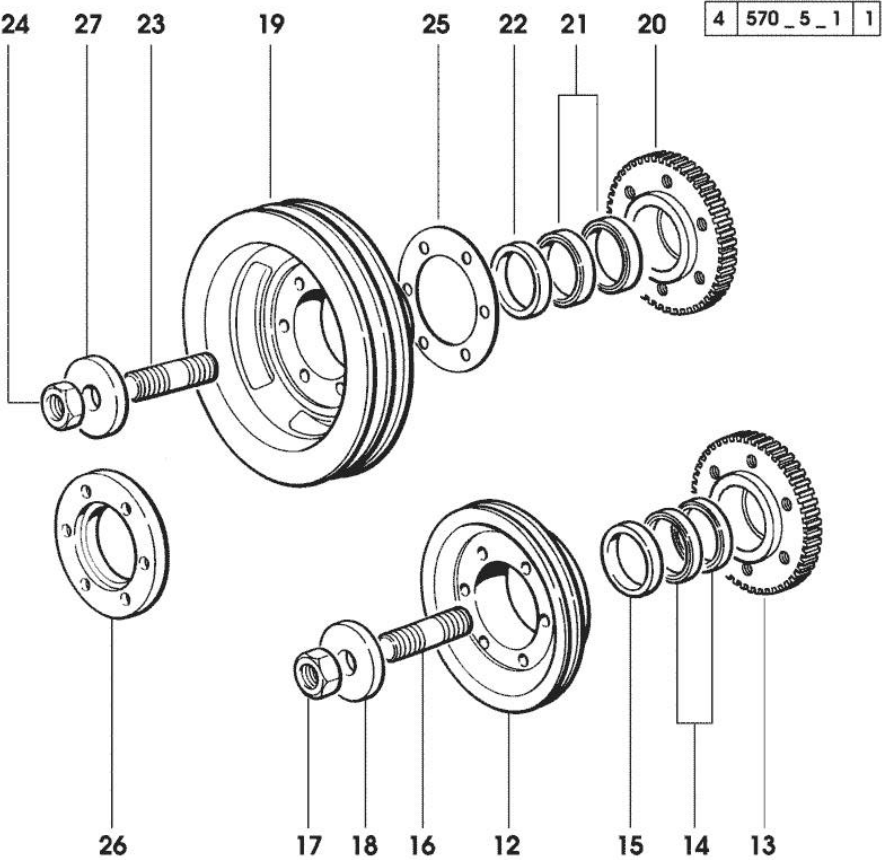


| Fig. | P/n | QTY | Name |
|------|-----------------|-----|---|
| 27 | 0.087.0060.6/30 | 4 | 4230 <= X H 481 XF complete piston |
| 27 | 0.379.0060.6 | 4 | 4141 <= X H 491 XF complete piston |
| 27 | 0.379.0060.A | 4 | 4230 <= X H 481 XF EXPORT U.S.A. complete piston "A" => 4231 X H 481 XF |
| 27 | 0.379.0060.B | 4 | complete piston "B" => 4231 X H 481 XF |
| 27 | 0.382.0060.6 | 4 | complete piston |
| 27 | 0.382.0060.A | 4 | 4141 <= X H 491 XF EXPORT U.S.A. complete piston "A" => 4142 X H 491 XF |
| 27 | 0.382.0060.B | 4 | complete piston "B" => 4142 X H 491 XF |
| 28 | 0.081.0090.6/10 | 4 | piston ring set - X H 491 XF |
| 28 | 0.086.0052.6/10 | 4 | piston ring set - X H 481 XF |
| 29 | 2.1411.014.1 | 8 | circlip 35 |
| 30 | 0.078.1236.0 | 4 | piston pin Ø 18 / Ø 35 / L = mm 86 |
| 31 | 2.1720.006.0 | 1 | key 4x6.5 |
| 34 | 2.1652.915.0 | 1 | cylindrical plug 12x35 |
| 35 | 2.0112.320.2 | 6 | screw m 10 p.1.5 x 55 |
| 36 | 2.1470.006.2 | 6 | lock washer 10 |
| 37 | 0.011.3531.0 | 1 | gear Z = 48 |

ENGINE SHAFT - FRONT P.T.O. PULLEYS

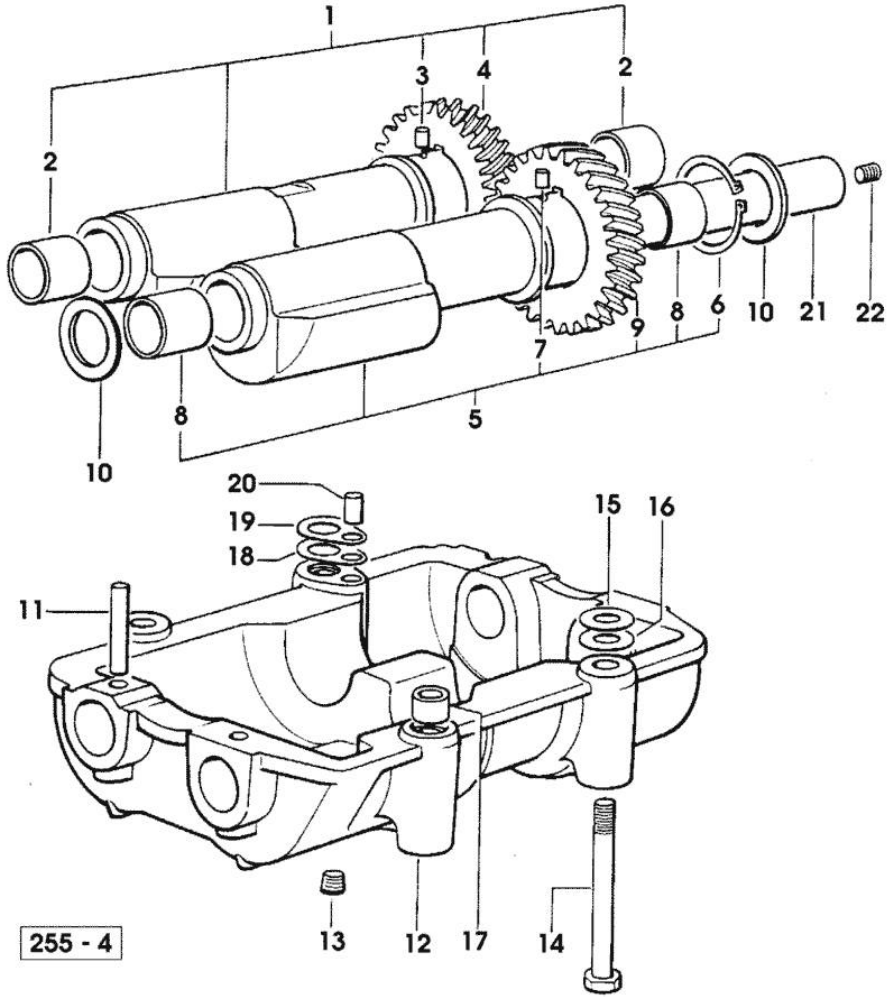
| Fig. | P/n | QTY | Name |
|------|-----|-----|------|
|------|-----|-----|------|

Notes:
[H-481-XF]



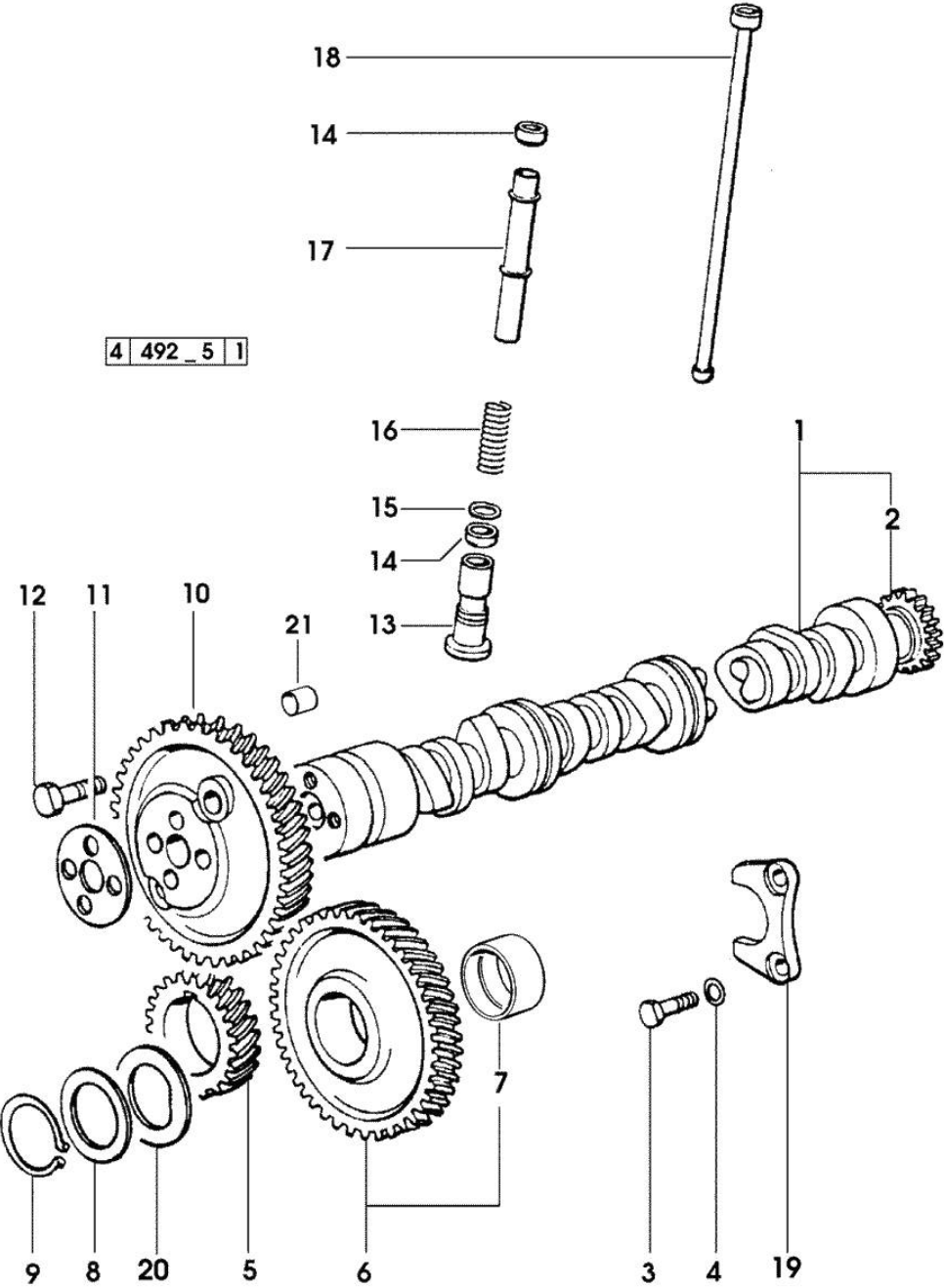
| | | | |
|----|-----------------|---|--|
| 12 | 0.082.1244.0/10 | 1 | pulley |
| 13 | 0.011.3515.0/10 | 1 | hub Z = 48 |
| 14 | 0.065.1256.0 | 2 | ring 45x52 |
| 15 | 2.1579.865.0 | 4 | spacer 45.2x51.8x10 |
| 16 | 2.0439.195.7 | 1 | stud bolt m 20 p.1.5x80 |
| 17 | 2.1019.094.7 | 1 | nut m 20 p.1.5 |
| 18 | 2.1599.524.7 | 1 | washer 21x60x12 |
| 19 | 0.082.1250.0/10 | 1 | pulley - FOR TRACTORS WITH AIR CONDITIONING |
| 20 | 0.011.3515.0/10 | 1 | hub Z = 48 |
| 21 | 0.065.1256.0 | 2 | ring 45x52 |
| 22 | 2.1579.865.0 | 1 | spacer 45.2x51.8x10 |
| 23 | 2.0439.195.7 | 1 | stud bolt m 20 p.1.5x80 |
| 24 | 2.1019.094.7 | 1 | nut m 20 p.1.5 |
| 25 | 2.1589.137.0 | 3 | shoulder ring 71x110x1 |
| 26 | 0.089.1253.0/10 | 1 | spacer |
| 27 | 2.1599.524.7 | 1 | washer 21x60x12 |

Section: ENGINE
COUNTERWEIGHTS



| Fig. | P/n | QTY | Name |
|---------------|-----------------|-----|---------------------------|
| Notes: | | | |
| [H-481-XF] | | | |
| 1 | 0.086.1233.3/30 | 1 | mass sx/lh/li |
| 2 | 2.1559.115.0 | 2 | special bushing 26x30x30 |
| 3 | 2.1652.302.0 | 1 | roll pin 4x6 |
| 4 | 0.000.0000.1 | | cannot be supplied |
| 5 | 0.065.1233.3/30 | 1 | mass dx/rh/re |
| 6 | 2.1410.018.1 | 1 | circlip 45 |
| 7 | 2.1652.302.0 | 1 | roll pin 4x6 |
| 8 | 2.1559.115.0 | 2 | special bushing 26x30x30 |
| 9 | 0.000.0000.1 | | cannot be supplied |
| 10 | 2.1589.185.0 | 4 | shoulder ring 26.1x34x1 |
| 11 | 2.1631.717.0 | 2 | roll pin 8 x 40 |
| 12 | 0.086.1231.0/10 | 1 | box |
| 13 | 2.3130.001.1 | 4 | plug 1/8" gas |
| 14 | 2.0139.028.2 | 4 | screw m 12 |
| 15 | 2.1579.628.0 | 3 | spacer 16.5x26x0.1 |
| 15 | 2.1589.048.0 | | shoulder ring 16.5x26x0.3 |
| 16 | 2.1579.629.0 | 4 | spacer 12.5x26x0.1 |
| 16 | 2.1589.049.0 | 2 | shoulder ring 12.5x26x0.3 |
| 17 | 2.1579.626.0 | 2 | spacer 13.2x16x11 |
| 18 | 2.1589.139.0 | | shoulder ring mm 0.3 |
| 19 | 2.1589.140.0 | 3 | shoulder ring mm 0.1 |
| 20 | 2.1699.191.0 | 1 | bush 7x10x16 |
| 21 | 0.065.1234.0/10 | 2 | shaft |
| | | | * |
| | | | - N.1 - 2.3130.001.1 |
| 22 | 2.3130.001.1 | 1 | plug 1/8" gas |

Section: ENGINE
CAMSHAFT



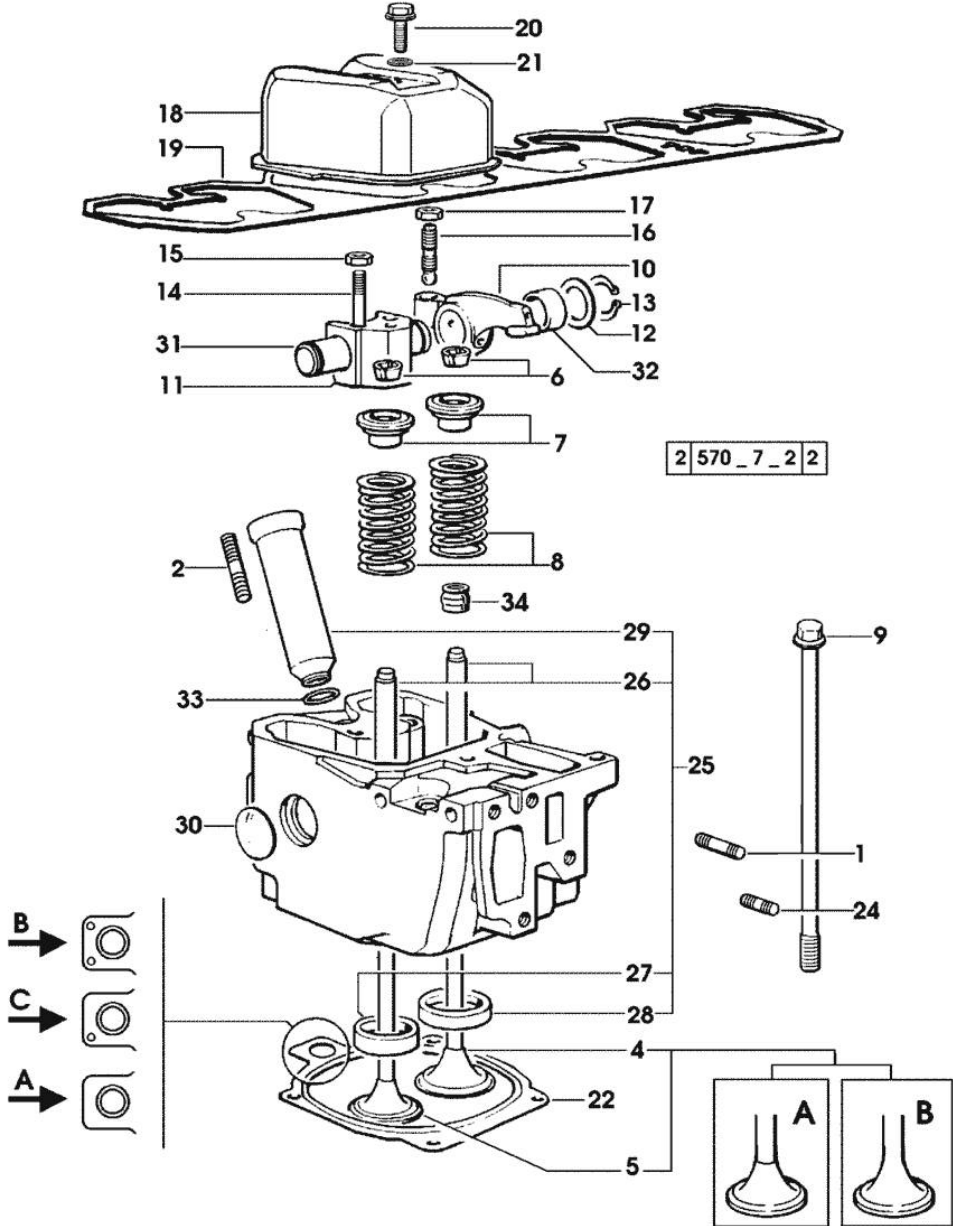
| Fig. | P/n | QTY | Name |
|---------------|-----------------|-----|--|
| Notes: | | | |
| [H-481-XF] | | | |
| 1 | 0.007.1712.3/10 | 1 | camshaft 1489 <- X H 481 XF EXPORT U.S.A. 1476 <- X H 491 XF EXPORT U.S.A. |
| 1 | 0.066.1310.3/40 | 1 | camshaft |
| 2 | 0.065.1324.0/10 | 1 | gear Z = 32 |
| 3 | 2.0312.206.2 | 2 | screw m 8 p 1.25 x 20 |
| 4 | 2.1480.014.1 | 2 | washer 8 |
| 5 | 0.065.1323.0/30 | 1 | gear Z = 29 |
| 6 | 0.007.1177.3/10 | 1 | gear z = 57 - WITH RED IDENTIFICATION STAMP |
| 6 | 0.007.1178.3/10 | 1 | gear z = 57 - WITH YELLOW IDENTIFICATION STAMP |
| 6 | 0.007.1179.3/10 | 1 | gear z = 57 - WITH GREEN IDENTIFICATION STAMP |
| 7 | 2.1559.185.0/10 | 1 | bushing |
| 8 | 0.065.1352.0 | 1 | shim |
| 9 | 2.1410.016.1 | 1 | circlip 40 |
| 10 | 0.065.1354.0/20 | 1 | gear z=58 |
| 11 | 0.065.1350.0 | 1 | small disc |
| 12 | 2.0132.207.2 | 4 | screw m 10 p.1 x 25 |
| 13 | 0.065.1330.0 | 8 | tappets |
| 14 | 2.1569.114.0/10 | 16 | gasket 14x18.5x8 |
| 15 | 2.1599.437.0 | 8 | shoulder ring |
| 16 | 2.4019.300.1/10 | 8 | spring 18.5x52x2 |
| 17 | 0.065.1332.0 | 8 | sleeve |
| 18 | 0.065.1331.2 | 8 | rod |
| 19 | 0.065.1353.0 | 1 | small plate |
| 20 | 0.065.1351.0 | 2 | shoulder ring |
| 21 | 2.1559.398.0 | 1 | bushing 10.5x13x12 |

Section: ENGINE
CYLINDER HEAD

| Fig. | P/n | QTY | Name |
|------|-----|-----|------|
|------|-----|-----|------|

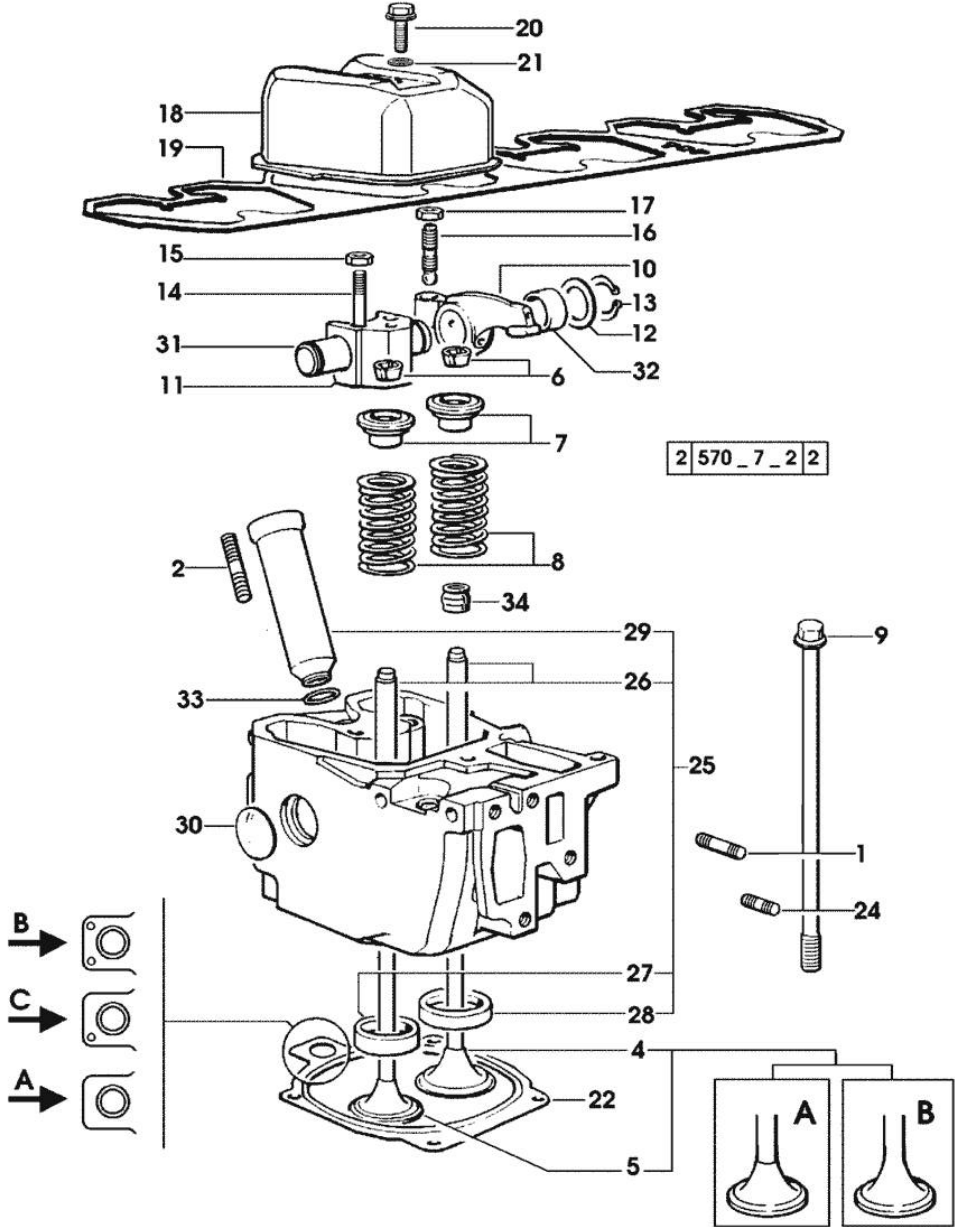
Notes:
[H-481-XF]

| | | | |
|----|-----------------|----|--|
| 1 | 2.0432.011.7 | 4 | stud bolt m 8 p.1.25 / p.1 x 40 |
| 2 | 2.0432.161.7 | 4 | stud bolt m 10 p.1.5 / p.1.25 x 40 |
| 4 | 0.010.6016.0 | 4 | inlet valve mm 43.63 / Ø mm 9 - X H 481 XF |
| 4 | 0.010.6017.0 | 4 | inlet valve mm 43.63 / Ø mm 9 - X H 491 XF -> (...) = B |
| 4 | 0.081.1420.0 | 4 | inlet valve Ø mm 9 - X H 491 XF (...) <= A |
| 5 | 0.010.6022.0 | 4 | exhaust valve mm 39.1 / Ø mm 9 - X H 491 XF -> (...) = B |
| 5 | 0.066.1421.0 | 4 | exhaust valve - X H 481 XF - X H 491 XF (...) <= A |
| 6 | 0.074.1423.0 | 16 | conical valve cotter |
| 7 | 0.066.1425.0 | 8 | cup |
| 8 | 2.4019.287.0 | 8 | spring |
| 9 | 0.012.2673.0 | 16 | screw m 14 p.2x141 -> 1470 X H 481 XF -> 1458 X H 491 XF |
| 9 | 0.066.1443.0/10 | 16 | screw 1469 <= X H 481 XF 1457 <= X H 491 XF |
| 10 | 0.066.1432.0 | 8 | rocker arm |
| 11 | 0.066.1430.0/10 | 4 | support |
| 12 | 2.1599.432.0 | 8 | shoulder ring |
| 13 | 2.1410.055.1 | 8 | circlip 19 |
| 14 | 2.0432.163.7 | 8 | stud bolt m 10 p.1.5 / p.1.25 x 45 |
| 15 | 2.1011.421.2 | 8 | nut m 10 p.1.25 |
| 16 | 0.021.1434.0 | 8 | screw |
| 17 | 2.1011.405.2 | 8 | nut m 8 p.1 |
| 18 | 0.007.1139.0/10 | 4 | small cap * 1121 <= X H 481 XF * 1457 <= X H 491 XF - N.4 - 2.0399.130.2/10 |
| 19 | 0.065.1450.0/30 | 1 | tappet gasket |
| 20 | 2.0399.130.2 | 4 | screw m 8 x 30 1121 <= X H 481 XF 1457 <= X H 491 XF |
| 20 | 2.0399.130.2/10 | 4 | screw m 8x36x44 => 1122 X H 481 XF => 1458 X H 491 XF |

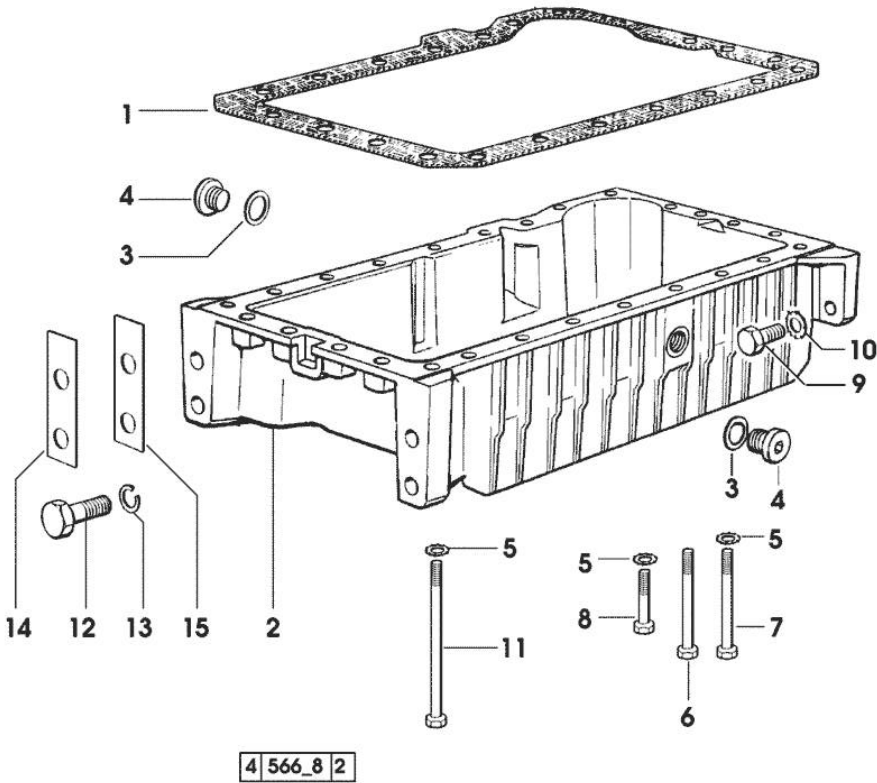


Section: ENGINE
CYLINDER HEAD

| Fig. | P/n | QTY | Name |
|------|-----------------|-----|--|
| 21 | 2.1569.170.0/10 | 4 | gasket 8.2 x 14 |
| 22 | 0.078.1451.0/40 | 1 | head gasket -A- |
| 22 | 0.078.1452.0/30 | 1 | head gasket -B- |
| 22 | 0.078.1453.0/40 | 1 | head gasket -C- |
| 24 | 2.0432.005.7 | 4 | stud bolt m 8 p.1.5 / p.1 x 25 |
| 25 | 0.007.1360.3/60 | 4 | head - X H 491 XF -> (...) = B |
| 25 | 0.012.2693.3/10 | 4 | engine head - X H 481 XF - X H 491 XF (...) <- = A |
| 26 | 0.007.1779.0/10 | 8 | valve guide |
| 27 | 0.066.1427.0 | 4 | valve seat |
| 28 | 0.078.1426.0 | 4 | valve seat |
| 29 | 0.010.6041.0 | 4 | bush |
| 30 | 2.3170.012.1 | 8 | expansion plug 30 |
| 31 | 0.066.1431.0 | 4 | pin |
| 32 | 2.1559.021.0/40 | 8 | bushing 15x19x22 |
| 33 | 2.1530.051.0 | 4 | oil seal 20.22x3.53 |
| 34 | 2.1519.117.0 | 8 | special oil seal |



Section: ENGINE
LUBRICATION



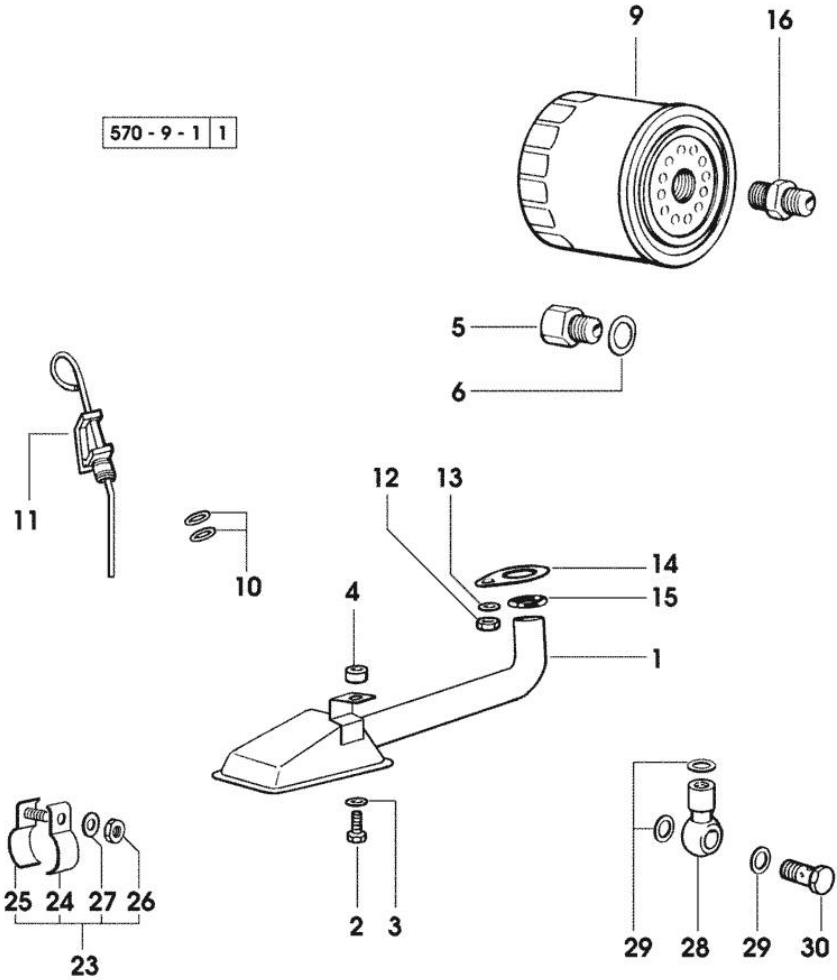
| Fig. | P/n | QTY | Name |
|-----------------------------|-----------------|-----|--|
| Notes: [H-481-XF] | | | |
| 1 | 0.007.0614.0/10 | 1 | gasket - X H 361 H 476 XF |
| 1 | 0.065.1550.0/10 | 1 | gasket - X H 481 H 491 XF |
| 2 | 0.007.1277.0/40 | 1 | oil sump - X H 481 H 491 XF |
| 2 | 0.007.1422.0/40 | 1 | oil sump * 13382 <= X H 361 XF * 1227 <= X H 476 XF - N.1 - 007.1427.0 - 002.8816.0 |
| 3 | 2.1560.054.0 | 1 | gasket 21 x 26 - X H 361 H 476 XF |
| 4 | 2.3199.001.2 | 1 | plug 1/2" gas - X H 361 H 476 XF |
| 5 | 2.1470.004.2 | 22 | lock washer 8 - X H 361 H 476 XF - X H 481 H 491 XF |
| 6 | 2.0112.226.2 | 7 | screw m 8 p.1.25 x 85 - X H 361 H 476 XF |
| 6 | 2.0112.235.2 | 3 | screw m 8 p.1.25 x 130 - X H 481 H 491 XF |
| 7 | 2.0112.226.2 | 4 | screw m 8 p.1.25 x 85 - X H 481 H 491 XF |
| 8 | 2.0112.215.2 | 17 | screw m 8 p.1.25 x 40 - X H 361 H 476 XF |
| 9 | 2.0112.411.2 | 4 | screw m 12 p.1.75 x 30 - X H 361 H 476 XF |
| 10 | 2.1470.007.2 | 4 | lock washer 12 - X H 361 H 476 XF |
| 11 | 2.0112.239.2 | 2 | screw m 8 p.1.25 x 150 |
| 12 | 2.0112.720.1 | 4 | screw m 18 p.2.5 x 55 - X H 361 H 476 XF |
| 13 | 2.1475.007.7 | 4 | washer 18 - X H 361 H 476 XF |
| 14 | 0.008.8586.0/10 | 4 | shim mm 0.20 - X H 361 H 476 XF |
| 15 | 0.008.8587.0/10 | 8 | shim mm 0.50 - X H 361 H 476 XF |

Section: ENGINE
LUBRICATION

| Fig. | P/n | QTY | Name |
|------|-----|-----|------|
|------|-----|-----|------|

Notes:
[H-481-XF]

| | | | |
|----|-----------------|---|--------------------------------|
| 1 | 0.065.1531.3/20 | 1 | tube |
| 2 | 2.0112.205.2 | 1 | screw m 8 p.1.25 x 16 |
| | | | (...) <- |
| 2 | 2.0112.209.2 | 1 | screw m 8 p 1.25 x 25 |
| | | | -> (...) |
| 3 | 2.1470.004.2 | 1 | lock washer 8 |
| 4 | 2.1579.766.2 | 1 | spacer 8.5x16x10 |
| 5 | 2.3339.353.2/10 | 1 | pipe fitting 12 p.1.5-18 p.1.5 |
| | | | - X H 481 XF |
| 6 | 2.1560.014.0 | 1 | washer 18.2 x 24 |
| | | | - X H 481 XF |
| 9 | 0.044.1567.0 | 1 | oil filter element |
| | | | - X H 481 XF |
| 9 | 2.4419.340.0 | 1 | oil filter element |
| | | | - X H 491 XF |
| 10 | 2.1539.065.0 | 2 | special oil seal 8.73 x 1.78 |
| 11 | 0.007.1623.2 | 1 | dipstick |
| 12 | 2.1011.105.2 | 1 | nut m 8 p.1.25 |
| 13 | 2.1470.004.2 | 1 | lock washer 8 |
| 14 | 0.065.1538.0 | 1 | flange |
| 15 | 2.1539.040.0 | 1 | special oil seal 21.82 x 3.53 |
| 16 | 2.3339.307.0 | 1 | pipe fitting m 22 p.1.5-3/4" |
| 23 | 0.075.1552.4 | 1 | bracket |
| 24 | 0.075.1552.0 | 1 | bracket |
| 25 | 0.075.1552.2 | 1 | bracket |
| 26 | 2.1011.103.2 | 1 | nut m 6 p.1 |
| 27 | 2.1470.002.2 | 1 | lock washer 6 |
| 28 | 2.3249.014.2 | 1 | pipe fitting m 12 p.1.5 |
| | | | - X H 481 XF |
| 29 | 2.1560.008.0 | 3 | gasket 12.2 x 18 |
| | | | - X H 481 XF |
| 30 | 2.3335.052.2 | 1 | pipe union m 12 p.1.5 |
| | | | - X H 481 XF |





Suggest:

For more complete manuals. Please go to the home page.

<https://www.ebooklibonline.com>

If the above button click is invalid. Please download this document first, and then click the above link to download the complete manual.

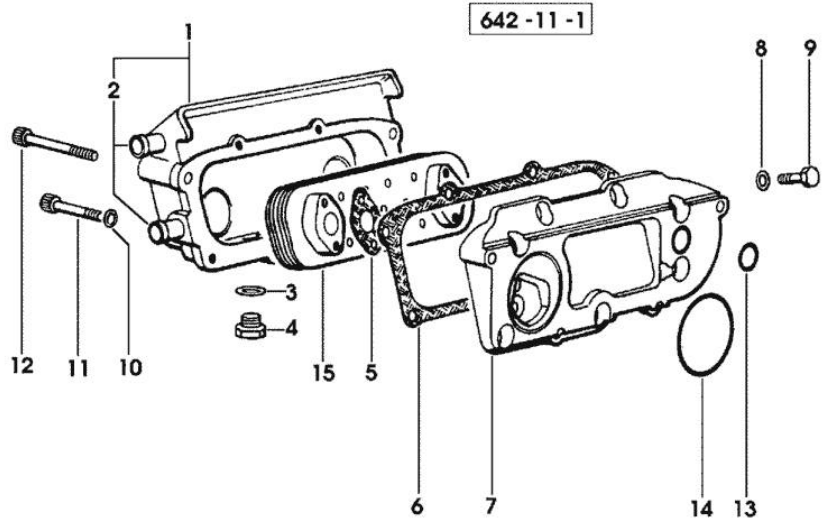
Thank you so much for reading

Section: ENGINE
LUBRICATION

| Fig. | P/n | QTY | Name |
|------|-----|-----|------|
|------|-----|-----|------|

Notes:
[H-481-XF]

| | | | |
|----|-----------------|---|-----------------------------|
| 1 | 0.078.1554.3 | 1 | box |
| 2 | 0.066.1750.0 | 1 | tube |
| 3 | 2.1560.014.0 | 1 | washer 18.2 x 24 |
| 4 | 2.3120.101.0 | 1 | plug m 18 p.1.5 |
| 5 | 0.078.1557.0/10 | 2 | gasket |
| 6 | 0.078.1556.0/10 | 1 | gasket |
| 7 | 0.078.1555.0/10 | 1 | plate |
| 8 | 2.1310.004.2 | 8 | flat washer 8.4x17 |
| 9 | 2.0112.205.2 | 8 | screw m 8 p.1.25 x 16 |
| 10 | 2.1480.014.1 | 4 | washer 8 |
| 11 | 2.0312.217.2 | 2 | screw m 8 p.1.25x55 |
| 12 | 2.0312.220.2 | 2 | screw m 8 p.1.25x70 |
| 13 | 2.1539.048.0 | 1 | special oil seal 20.35x1.78 |
| 14 | 2.1539.050.0 | 1 | special oil seal 69.57x1.78 |
| 15 | 0.078.1540.3 | 1 | radiator |



H-481-XF

Ref: 01.00.61

Section: ENGINE
LUBRICATION

| Fig. | P/n | QTY | Name |
|------|-----|-----|------|
|------|-----|-----|------|

Notes:
[H-481-XF]

| | | | |
|----|-----------------|---|----------------------------------|
| 1 | 2.0312.206.2 | 2 | screw m 8 p 1.25 x 20 |
| 2 | 2.1480.014.1 | 2 | washer 8 |
| 3 | 0.041.1135.4 | 1 | plug 1" gas |
| 4 | 2.1569.072.0 | 1 | gasket 32 x 39.5 x 2 |
| 5 | 0.065.1565.0/10 | 1 | pipe union |
| 6 | 0.010.5441.4/10 | 1 | oil pump |
| | | | - X H 481 H 491 XF |
| 6 | 0.010.5481.4 | 1 | oil pump |
| | | | - X H 361 H 476 XF |
| 7 | 0.065.1552.3/60 | 1 | valve |
| 8 | 2.1539.042.0 | 1 | special oil seal 47.35x1.78 |
| 9 | 2.1651.711.0 | 2 | pin 8 x 14 |
| 10 | 2.0169.005.2 | 2 | screw m 6 p.1 x 12 |
| 11 | 0.065.1569.0/40 | 1 | shaft |
| 12 | 2.1470.006.2 | 2 | lock washer 10 |
| 13 | 2.0112.323.2 | 2 | screw m 10 p.1.5x70 |
| | | | - X H 361 H 476 XF |
| 13 | 2.0112.325.2 | 2 | screw m 10 p.1.5 x 80 |
| | | | - X H 481 H 491 XF |
| 14 | 0.065.1560.0/20 | 2 | gasket |
| 15 | 0.065.1562.0/10 | 1 | joint |
| 16 | 0.075.1551.4/20 | 1 | support |
| 17 | 2.2020.001.0 | 1 | ball bearing 15 x 32 x 8.00 |
| 18 | 2.2725.016.0 | 1 | roller cage 15 x 21 x 12 |
| 19 | 2.2680.020.0 | 1 | ring 12 x 15 x 12 |
| 20 | 2.0399.128.2/10 | 1 | screw m 8 p.1 x 8 |
| 21 | 2.2030.002.0 | 1 | ball bearing 12 x 28 x 8 |
| 22 | 2.1219.025.2/10 | 1 | ring nut m 36 p.1.5 |
| 23 | 2.1589.148.0 | 1 | shoulder ring 28.2 x 31.8 x 0.5 |
| 23 | 2.1589.150.0 | 2 | shoulder ring 28.2 x 31.8 x 0.1 |
| 23 | 2.1589.151.0 | 2 | shoulder ring 28.2 x 31.8 x 0.15 |
| 24 | 0.075.1551.3/30 | 1 | support |
| 25 | 2.1589.146.0 | 2 | shoulder ring 15.2 x 19 x 0.15 |
| 25 | 2.1589.147.0 | 2 | shoulder ring 15.2 x 19 x 0.10 |
| 25 | 2.1589.153.0 | 1 | shoulder ring 15.2 x 19 x 1.00 |
| 26 | 2.1410.057.1 | 1 | circlip 15 |
| 27 | 2.0342.007.2 | 1 | screw m 4 p.0.7x25 |
| 28 | 0.065.1558.6/10 | 1 | bevel drive |
| 29 | 0.065.1559.0 | 1 | bush |
| 30 | 2.1560.010.0 | 1 | gasket 14.2 x 20 |
| 31 | 2.3110.403.1 | 1 | plug m 14 p.1.5x12 |

1/2

<https://www.ebooklibonline.com>

Hello dear friend!

Thank you very much for reading.

Enter the link into your browser.

The full manual is available for immediate download.

<https://www.ebooklibonline.com>