

Section: ENGINE

CRANKCASE

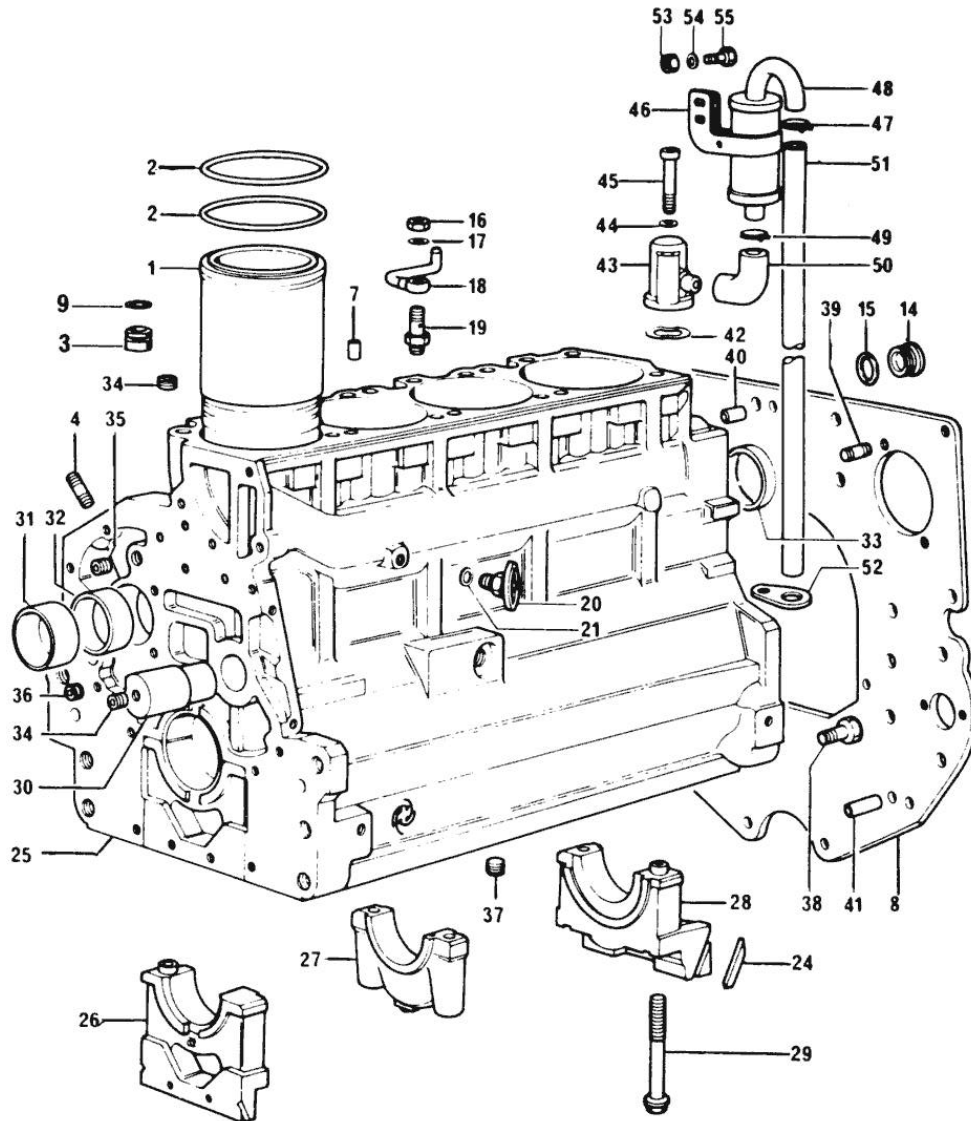


Fig.	P/n	QTY	Name
Notes:			
[H 466]			
0	0.066.0050.6	1	gasket set
FOR INSTALLATION OF 916.4 W ENGINE			
0	0.089.0050.6	1	gasket set
FOR INSTALLATION OF 1000.4 W ENGINE			
1	0.066.1120.0/10	4	engine cylinder X 916.4W
1	0.088.1120.0/10	4	engine cylinder X 1000.4 W
2	2.1519.096.0/10	4	oil seal 107.67x1.78
3	0.075.1152.0	4	bush
4	2.0439.154.0	12	old part number
7	2.1631.205.0	4	roll pin
8	0.066.1130.0	1	flange 1924<=
8	0.066.1130.0/20	1	flange =>1925
9	2.1539.071.0	4	special oil seal 11.11x1.78
14	2.3199.405.2	1	plug m 28 p.1.5
15	2.1539.047.0	1	special oil seal 26.7x1.78
16	2.1099.108.2	4	special nut m 10 p.1
17	2.1560.006.0	8	gasket 10.2 x 16
18	0.086.1550.2	4	sprayer nozzle
19	0.065.1160.3/10	4	old part number
20	0.049.1152.0	1	cock
21	2.1560.009.0	1	gasket 14.2x18
24	0.066.1152.0/10	4	gasket
25	9.06699.43.4	1	crankcase X 916.4W
25	9.08299.42.2	4	crankcase - X 916.4 W X 1000.4 W
26	0.065.1112.3	1	support
26	2.1699.165.0	1	bush 12.3x15x16
27	0.065.1114.7	3	support
28	0.065.1116.7	1	support
28	2.1699.165.0	1	bush 12.3x15x16
29	0.065.1117.0	10	screw m 12 x 100
30	0.066.1151.0	1	pin
31	0.065.1141.0	1	special bushing 59X55X30
32	0.065.1140.0	4	special bushing 59X55X20
33	2.3179.012.0	1	plug 60
34	2.3130.001.1	11	plug 1/8" gas

Section: ENGINE

CRANKCASE

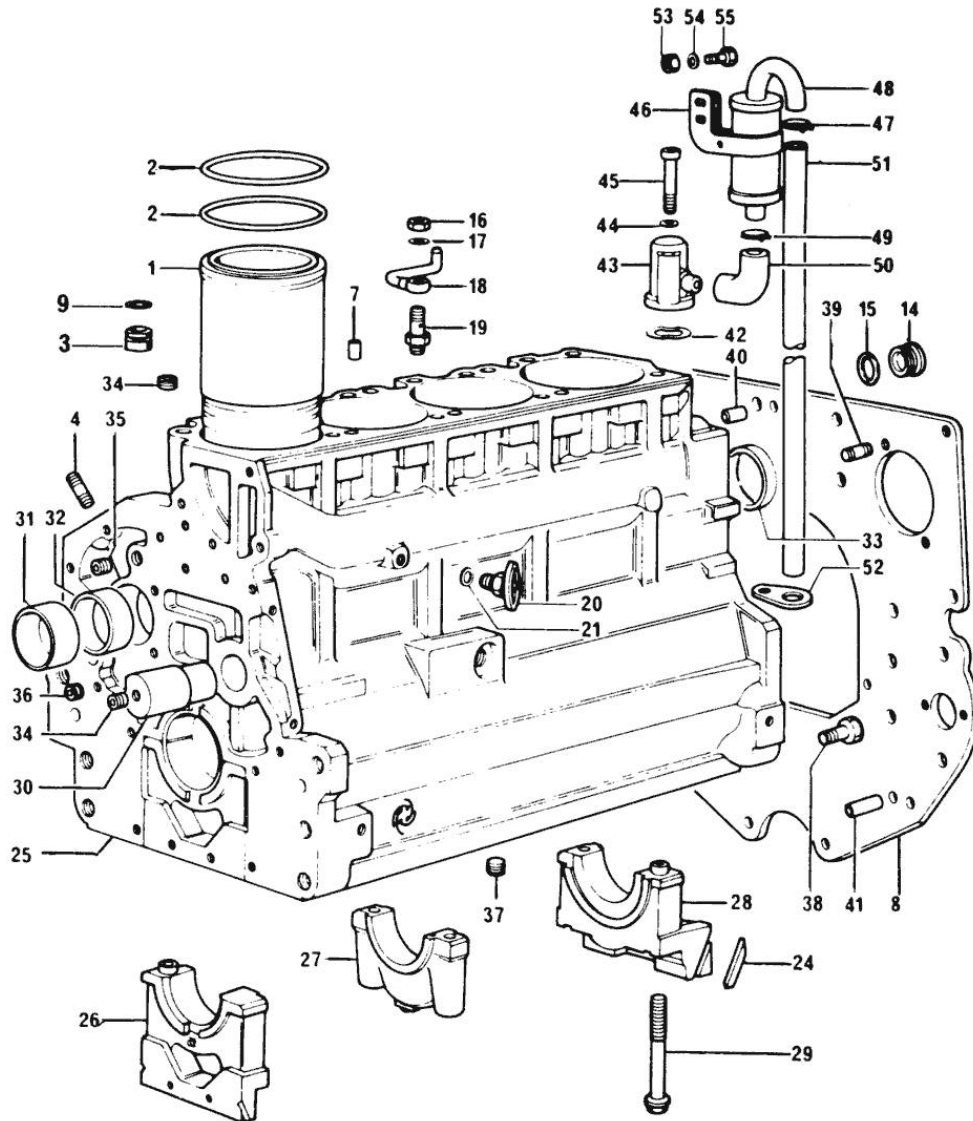


Fig.	P/n	QTY	Name
35	2.3130.002.1	2	plug 1/4" gas
36	2.3130.003.1	2	plug 3/8" gas
37	2.1324.011.0	1	plug X 1000.4 W
38	2.0112.511.1	8	screw m 14 p.2 x 30
39	2.0432.255.7	2	stud bolt m 12 p.1.75-1.25x25
40	2.1651.912.0	2	cylindrical plug 12x28
41	2.1651.917.0	1	cylindrical plug 12x40
42	0.065.1156.0	2	gasket
43	0.065.1143.3	1	body 1137<-
43	0.065.1143.3/10	1	body ->1138 - (...)<-
44	2.1470.004.2	2	lock washer 8
45	2.0312.219.2	2	screw m 8 p.1.25x65
46	2.6859.074.2/10	1	clamp ->1138 - (...)<-
47	2.6850.006.0	2	clamp 18-28 1137<-
47	2.6859.072.2	1	clamp ->1138 - (...)<-
48	0.065.1165.2	1	sediment bowl
49	2.6859.073.2	2	clamp ->1138 - (...)<-
50	0.065.1166.0	1	sleeve ->1138 - (...)<-
51	0.065.1155.0	1	old part number 1137<-
51	0.065.1155.0/10	1	tube ->1138 - (...)<-
52	0.065.1157.0	1	bracket
53	2.1011.103.2	1	nut m 6 p.1
54	2.1470.002.2	1	lock washer 6
55	2.0112.004.2	1	screw m 6 p.1 x 14

261-1 1

Section: ENGINE
TIMING CASE

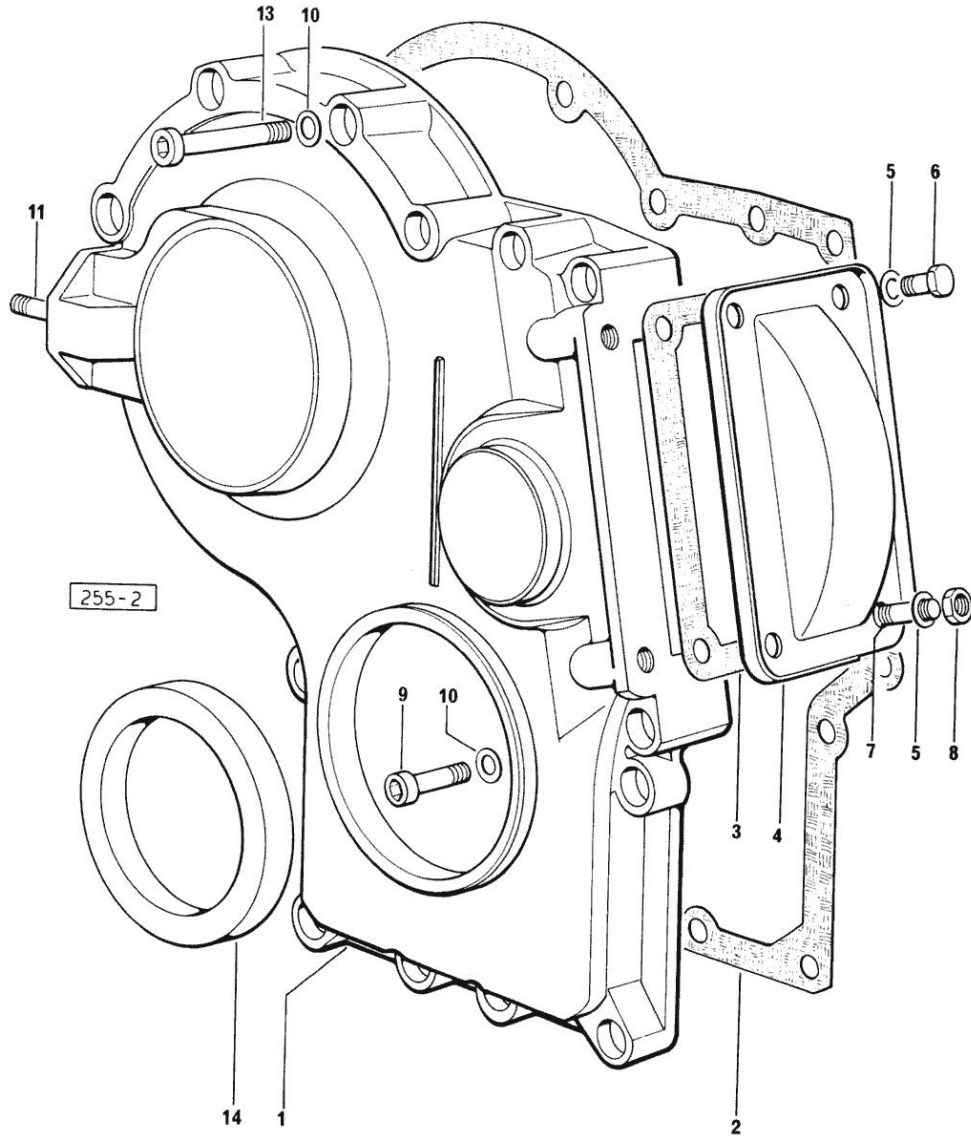


Fig.	P/n	QTY	Name
------	-----	-----	------

Notes:
[H 466]

1	0.065.1132.0/20	1	guard
2	0.065.1150.0/10	1	gasket
3	0.065.1152.0	1	gasket
4	0.065.1151.0	1	cover
5	2.1470.004.2	4	lock washer 8
6	2.0112.205.2	2	screw m 8 p.1.25 x 16
7	2.0432.001.7	2	stud bolt m 8 p.1.25 - 1.00 x 16
8	2.1011.405.2	2	nut m 8 p.1
9	2.0312.208.1	8	screw m 8 p.1.25 x 25
10	2.1480.014.1	15	washer 8
11	2.0439.154.1	2	old part number
13	2.0312.214.1	7	screw m 8 p.1.25 x 40
14	2.1529.072.0	1	oil seal

<https://www.ebooklibonline.com>

Hello dear friend!

Thank you very much for reading.

Enter the link into your browser.

The full manual is available for immediate download.

<https://www.ebooklibonline.com>

Section: ENGINE

CRANKSHAFT

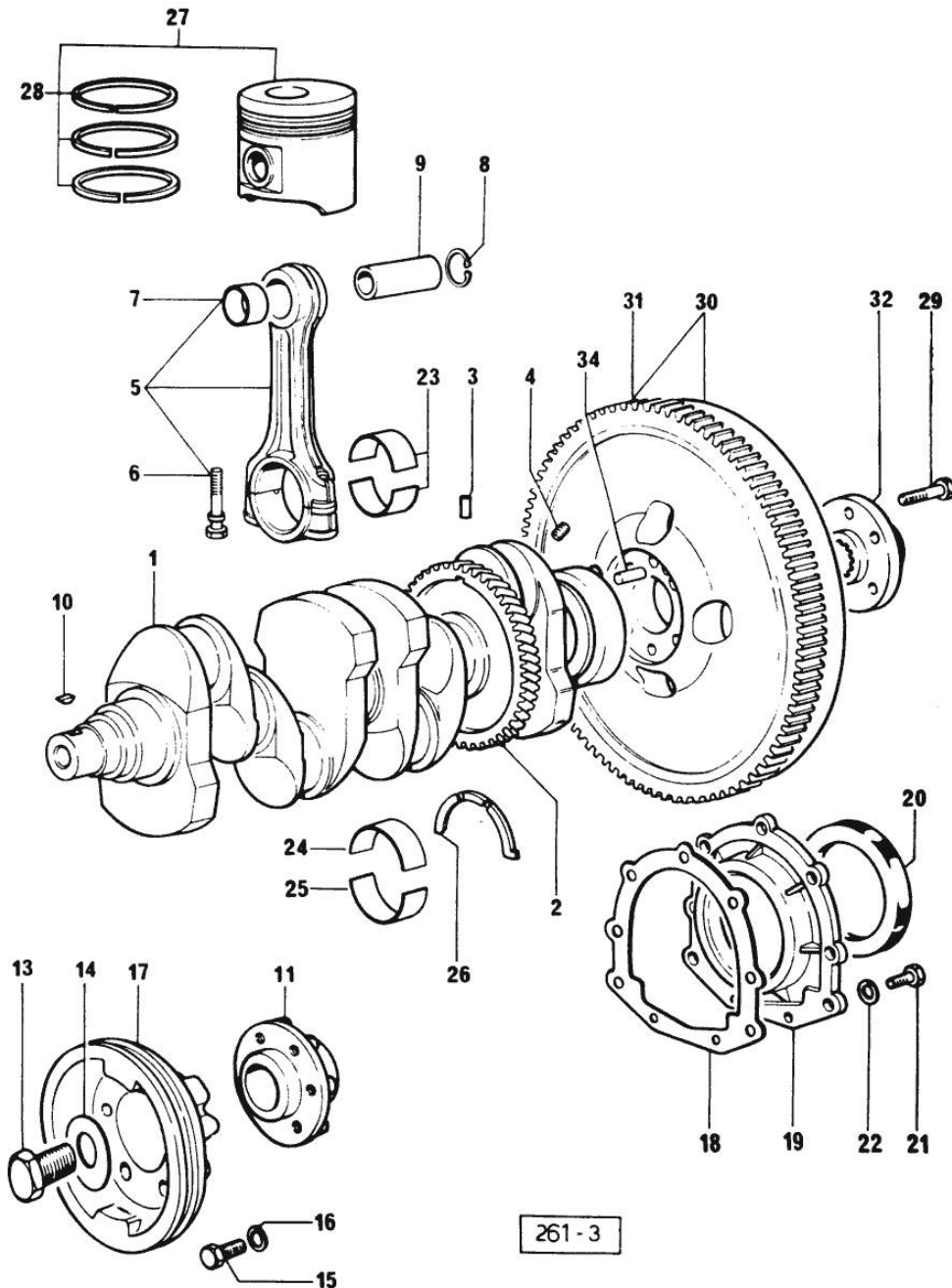


Fig.	P/n	QTY	Name
Notes:			
[H 466]			
1	0.065.1210.3/20	1	old part number 2624<=
1	0.066.1210.3/20	1	crankshaft =>2625 X 916.4W
1	0.086.1210.3	1	crankshaft X 1000.4 W
2	0.065.1211.0/10	1	crown wheel
3	2.1630.611.0	1	roll pin 6 x 24
4	2.3130.001.1	4	plug 1/8" gas
5	0.065.1220.3/10	4	engine connecting rod X 916.4W
5	0.078.1220.3/10	4	engine connecting rod - X 1000.4 W X 1000.4 W
6	2.0139.021.0	8	screw
7	0.065.1227.0	4	special bushing
7	2.1559.114.0/10	4	special bushing X 1000.4 W
8	2.1411.013.1	8	circlip 32 X 916.4W
8	2.1411.014.1	8	circlip 35 X 1000.4 W
9	0.065.1236.0	4	piston pin X 916.4W
9	0.078.1236.0	4	piston pin Ø 18 / Ø 35 / L = mm 86 X 1000.4 W
10	2.1720.006.0	2	key 4x6.5
11	0.065.1248.0/10	1	hub
13	2.0399.095.2/10	1	screw
14	2.1599.503.2	1	shoulder ring
15	2.0112.317.2	6	screw m 10 p.1.5 x 45
15	2.0112.320.2	6	screw m 10 p.1.5 x 55
15	2.0112.322.2	6	screw m 10 p.1.5x65
16	2.1470.006.2	6	lock washer 10
17	0.066.1244.0	1	pulley 2630<=
17	0.066.1244.0/10	1	pulley =>2631
17	0.075.1252.0	1	pulley 70x188x77,7 - FOR MODELS WITH UNDER ROOF AIR CONDITIONING
18	0.065.1254.0	1	gasket

Section: ENGINE

CRANKSHAFT

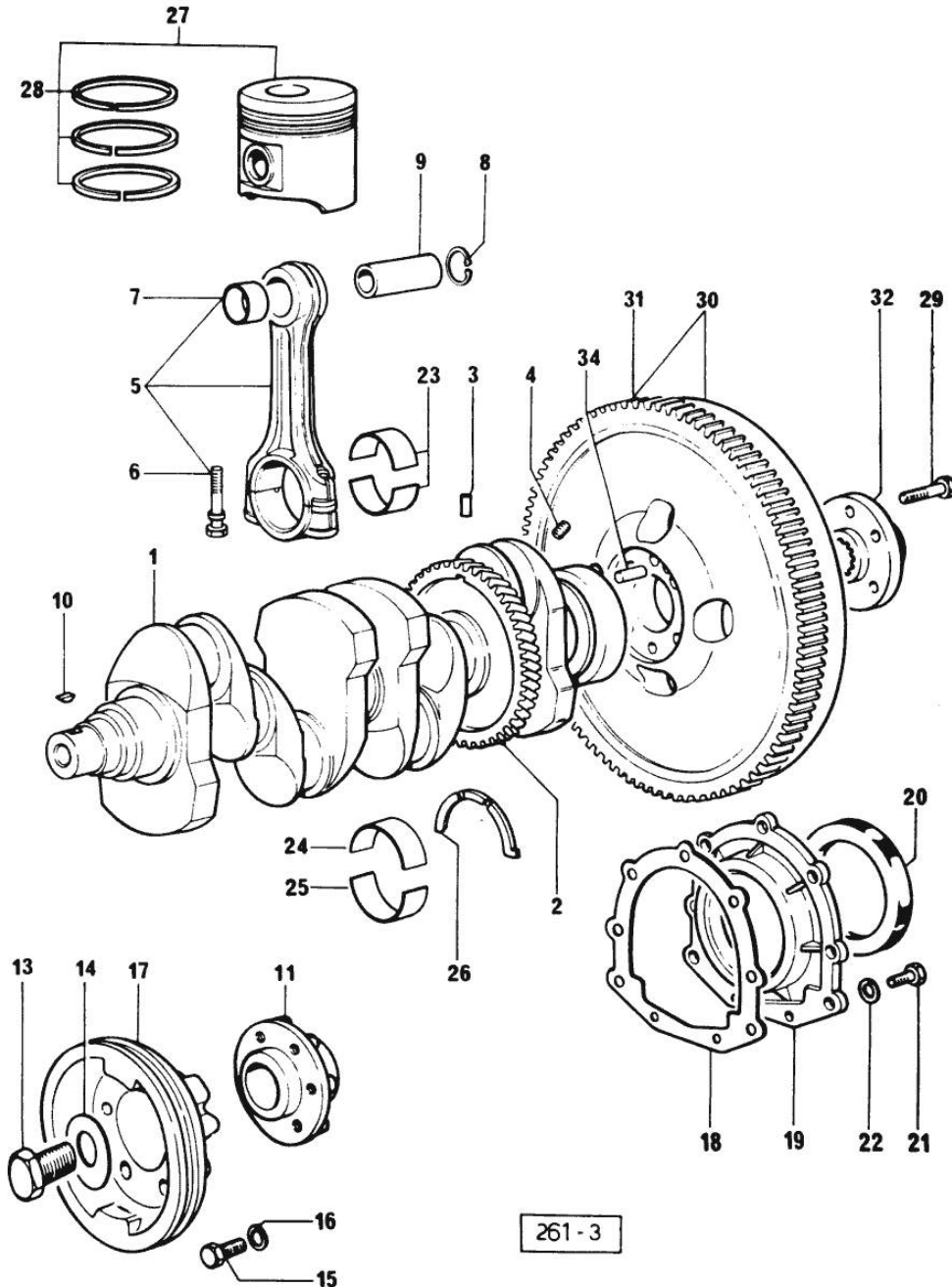


Fig.	P/n	QTY	Name
19	0.065.1253.0/10	1	cover
20	2.1529.073.0	1	special oil seal 110x130x13
21	2.0112.207.2	9	screw m 8 p 1.25 x 20
22	2.1474.009.2	9	spring washer 8
23	0.065.1225.0	8	con.rod half bushing STANDARD - A = 28.75 -> 29.00
23	0.065.1225.7	8	con.rod half bushing - mm 0.25
23	0.065.1225.8	8	con.rod half bushing - mm 0.50
24	0.065.1215.0	5	main half bushing STANDARD
24	0.065.1215.7	5	main half bushing - mm 0.25
24	0.065.1215.8	5	main half bushing - mm 0.50
25	0.065.1216.0	5	main half bushing
25	0.065.1216.7	5	main half bushing - mm 0.25
25	0.065.1216.8	5	main half bushing - mm 0.50
26	0.065.1218.0	4	shim STANDARD
26	0.065.1218.7	4	shim + mm 0.10
26	0.065.1218.8	4	shim + mm 0.15
27	0.065.0060.6	4	complete piston X 916.4W
27	0.085.0060.6	4	complete piston X 1000.4 W
28	0.065.0052.6	1	piston ring set X 916.4W
28	0.085.0052.6	1	piston ring set X 1000.4 W
29	2.0139.022.2	6	screw m 12 p.1.25x55
30	0.065.1247.3	1	flywheel 488<=
30	0.065.1247.3/30	1	flywheel =>489 - 838<= ORDER ALSO: 1x 0.255.2320.3/10 - 6x 2.0112.207.2 - 6x 2.1474.009.1 - 3x 2.1699.173.0
31	0.065.1242.0	1	crown wheel Z = 123
32	0.255.2525.0/10	1	flange
34	2.1652.915.0	1	cylindrical plug 12x35

Section: ENGINE
COUNTERWEIGHTS

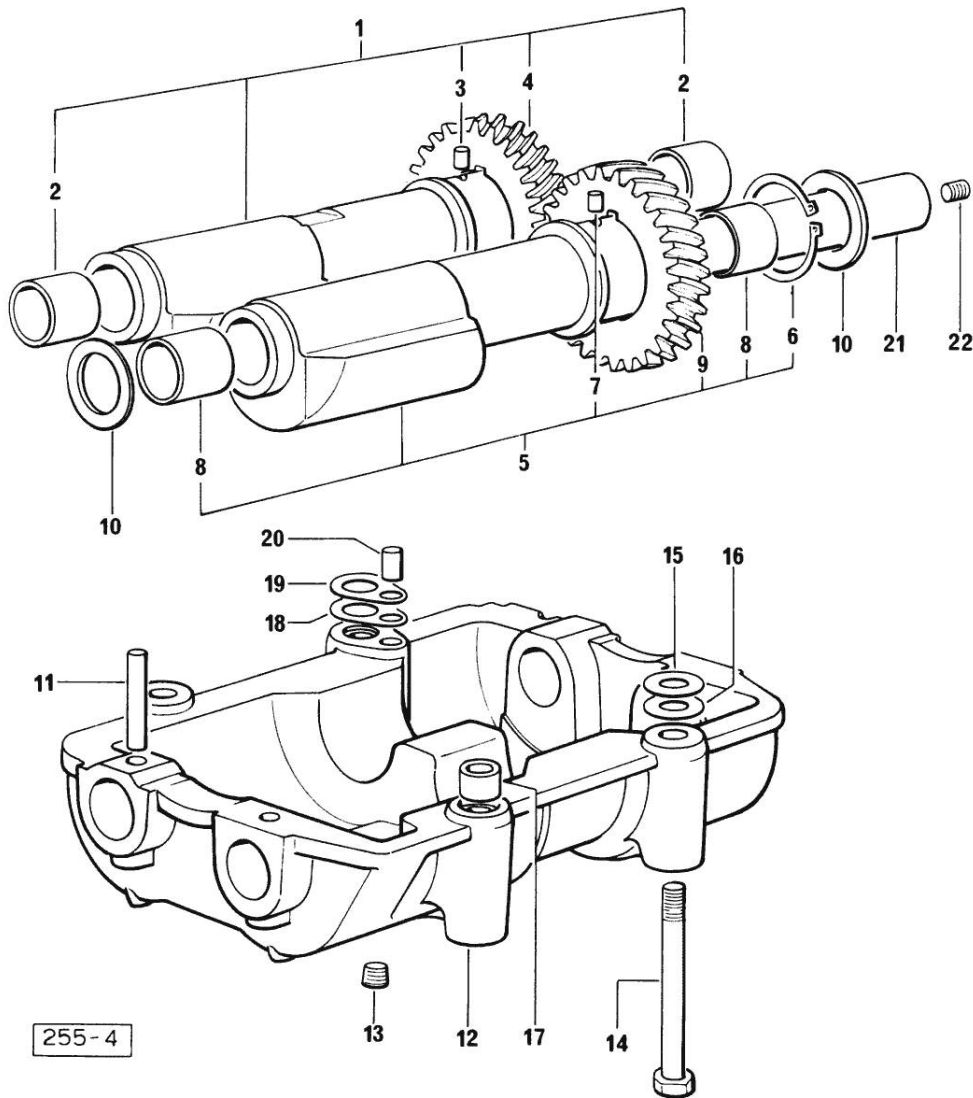


Fig.	P/n	QTY	Name
------	-----	-----	------

Notes:
 [H 466]

1	0.086.1233.3/10	1	mass
2	2.1559.115.0	2	special bushing 26x30x30
3	2.1652.302.0	1	roll pin 4x6
4	0.065.1237.0/10	1	gear
5	0.065.1233.3/10	1	mass
6	2.1410.018.1	1	circlip 45
7	2.1652.302.0	1	roll pin 4x6
8	2.1559.115.0	2	special bushing 26x30x30
9	0.065.1238.0	1	gear
10	2.1589.185.0	4	shoulder ring 26.1x34x1
11	2.1631.717.0	2	roll pin 8 x 40
12	0.086.1231.3	1	old part number
13	2.3130.001.1	1	plug 1/8" gas
14	2.0112.427.2	4	screw m 12 p.1.75 x 90
15	2.1589.048.0	2	shoulder ring 16.5x26x0.3
15	2.1589.049.0	2	shoulder ring 12.5x26x0.3
16	2.1579.628.0	2	spacer 16.5x26x0.1
16	2.1579.629.0	2	spacer 12.5x26x0.1
17	2.1579.626.0	2	spacer 13.2x16x11
18	2.1589.139.0	2	shoulder ring mm 0.3
19	2.1589.140.0	2	shoulder ring mm 0.1
20	2.1699.191.0	1	bush 7x10x16
21	0.065.1234.3	2	old part number
22	2.3130.001.1	2	plug 1/8" gas

Section: ENGINE

CAMSHAFT

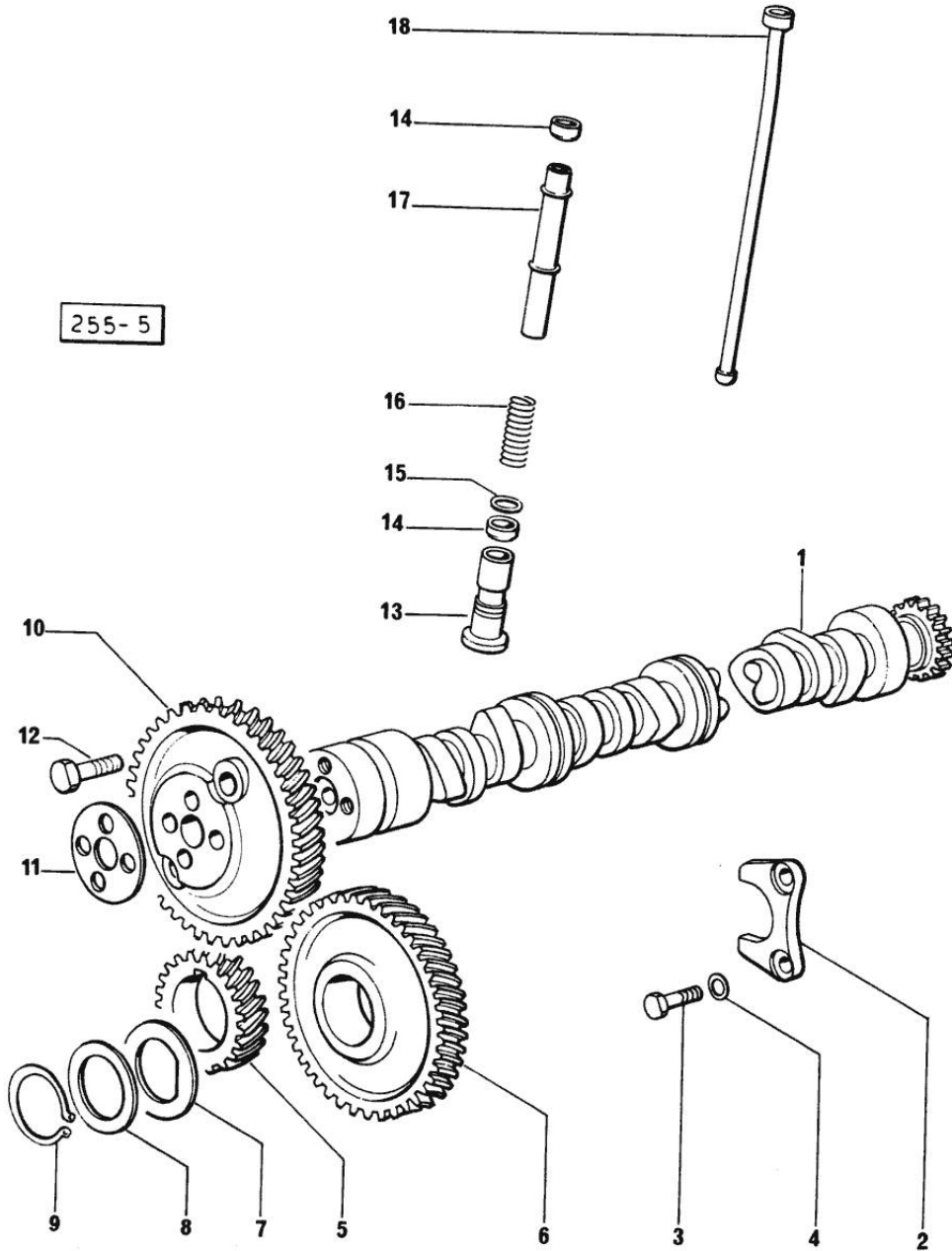


Fig.	P/n	QTY	Name
------	-----	-----	------

Notes:
[H 466]

1	0.065.1324.0	1	gear
1	0.066.1310.3/20	1	camshaft
2	0.065.1353.0	1	small plate
3	2.0312.205.2	2	screw
4	2.1480.014.1	2	washer 8
5	0.065.1323.0/20	1	gear Z = 29
6	0.065.1325.3/20	1	gear Z = 57
6	2.1559.185.0/10	1	bushing
7	065.1351.0	2	-
8	0.065.1352.0	1	shim
9	2.1410.016.1	1	circlip 40
10	0.065.1354.0/10	1	gear z=58
11	0.065.1350.0	1	small disc
12	2.0132.207.2	4	screw m 10 p.1 x 25
13	0.065.1330.0	8	tappets
14	2.1569.114.0	16	gasket
15	2.1599.437.0	8	shoulder ring
16	2.4019.300.1	8	spring
17	0.065.1332.0	8	sleeve
18	0.065.1331.2	8	rod

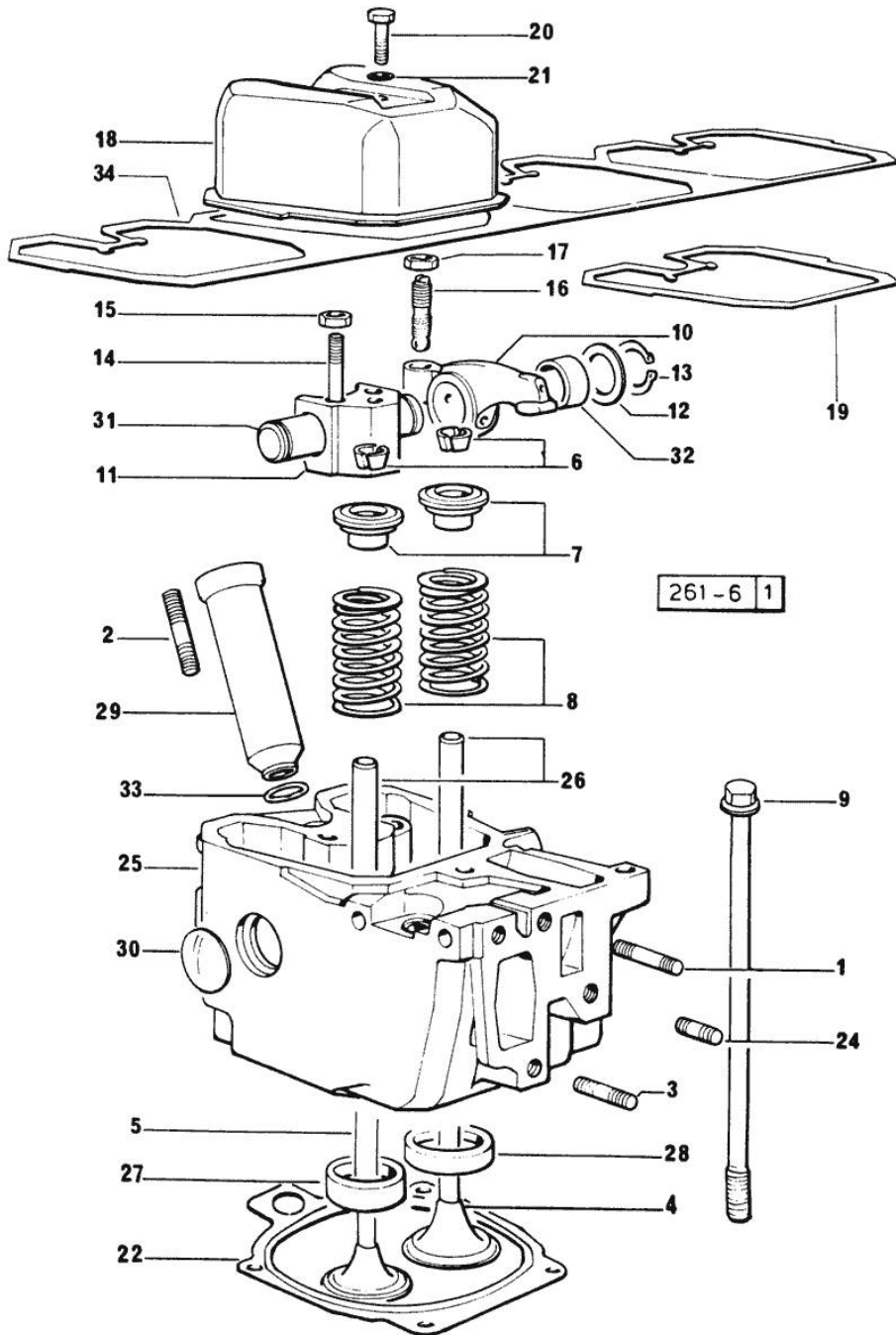
Section: ENGINE
CYLINDER HEAD

Fig.	P/n	QTY	Name
Notes:			
[H 466]			
1	2.0432.011.7	4	stud bolt m 8 p.1.25 / p.1 x 40
2	2.0432.161.7	4	stud bolt m 10 p.1.5 / p.1.25 x 40
3	2.0432.007.7	8	stud bolt m 8 p.1.25 / p.1 x 30
4	0.066.1420.0	4	inlet valve Ø mm 9 X 916.4W
4	0.078.1420.0	4	inlet valve X 1000.4 W
5	0.066.1421.0	4	exhaust valve
6	0.074.1423.0	8	conical valve cotter
7	0.066.1425.0	8	cup
8	2.4019.287.0	8	spring
9	0.066.1443.0/10	16	screw
10	0.066.1432.0	8	rocker arm
11	0.066.1430.0	4	support
12	2.1599.432.0	8	shoulder ring
13	2.1410.055.1	8	circlip 19
14	2.0432.163.7	8	stud bolt m 10 p.1.5 / p.1.25 x 45
15	2.1011.421.2	8	nut m 10 p.1.25
16	0.021.1434.0	8	screw
17	2.1011.405.2	8	nut m 8 p.1
18	0.066.1440.0/10	4	small cap
19	0.066.1450.0	4	tappet gasket
20	2.0112.211.2	4	screw m 8 p.1.25 x 30
21	2.1560.204.0	4	gasket
22	0.078.1451.0/10	4	gasket mm 1.20 (...) <= ORDER ALSO: 1x 2.1559.188.0
22	0.078.1452.0/10	4	gasket mm 1.40 (...) <= ORDER ALSO: 1x 2.1559.188.0
22	0.078.1453.0/10	4	gasket mm 1.60 (...) <= ORDER ALSO: 1x 2.1559.188.0
24	2.0432.005.7	4	stud bolt m 8 p.1.5 / p.1 x 25
25	0.066.1410.3/40	4	old part number X 916.4W
25	0.078.1410.3/40	4	old part number X 1000.4 W
26	0.066.1416.0	8	valve guide
27	0.066.1427.0	4	valve seat
28	0.066.1426.0	4	valve seat
29	0.066.1413.0	4	bush
30	2.3170.012.1	8	expansion plug 30
31	0.066.1431.0	4	pin

Section: ENGINE
CYLINDER HEAD

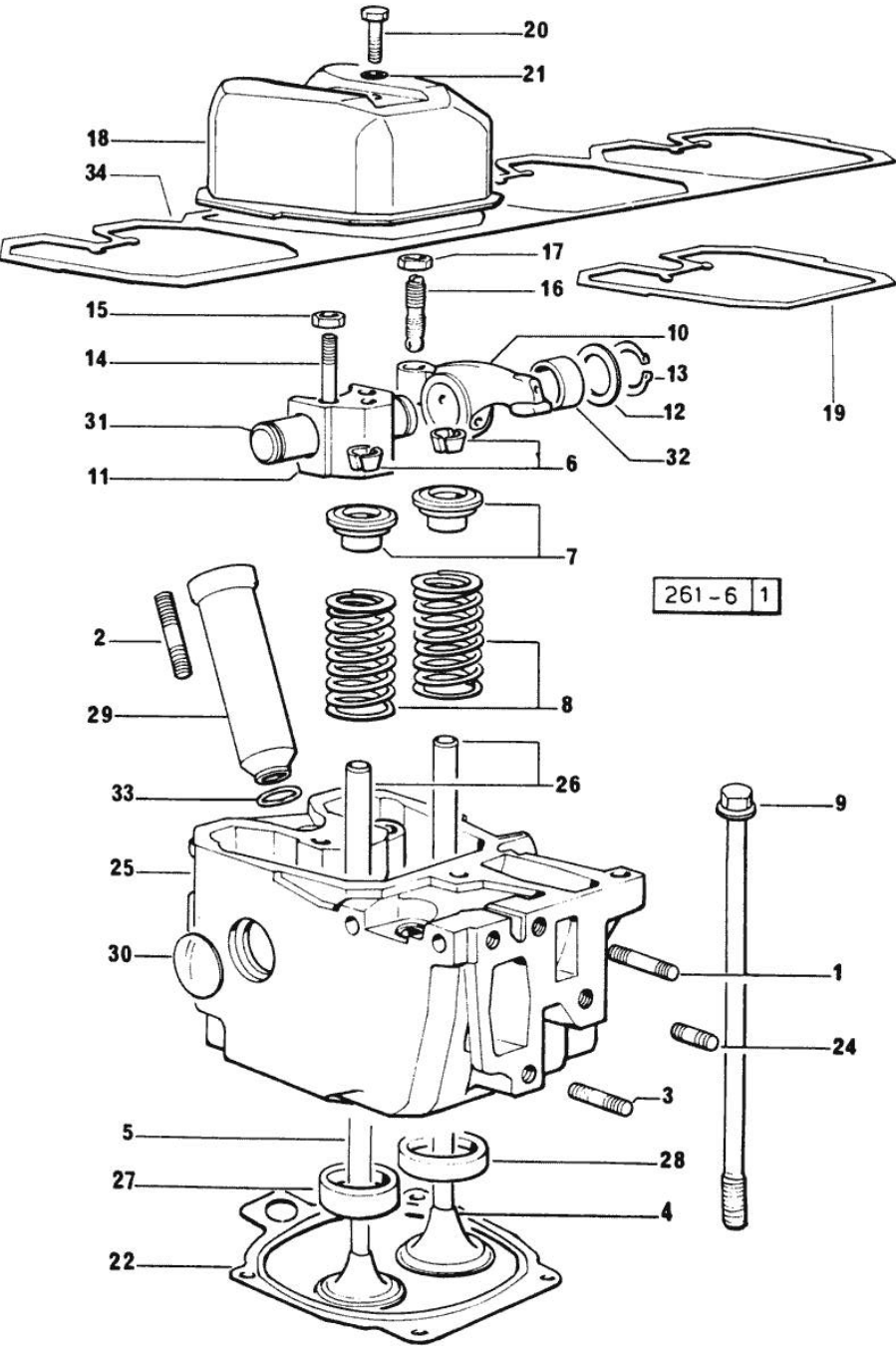


Fig.	P/n	QTY	Name
32	2.1559.021.0/40	8	bushing 15x19x22
33	2.1530.056.0	4	oil seal 21.82 x 3.53
34	0.065.1450.0	1	old part number



Suggest:

For more complete manuals. Please go to the home page.

<https://www.ebooklibonline.com>

If the above button click is invalid. Please download this document first, and then click the above link to download the complete manual.

Thank you so much for reading

Section: ENGINE
LUBRICATION 1435 <=

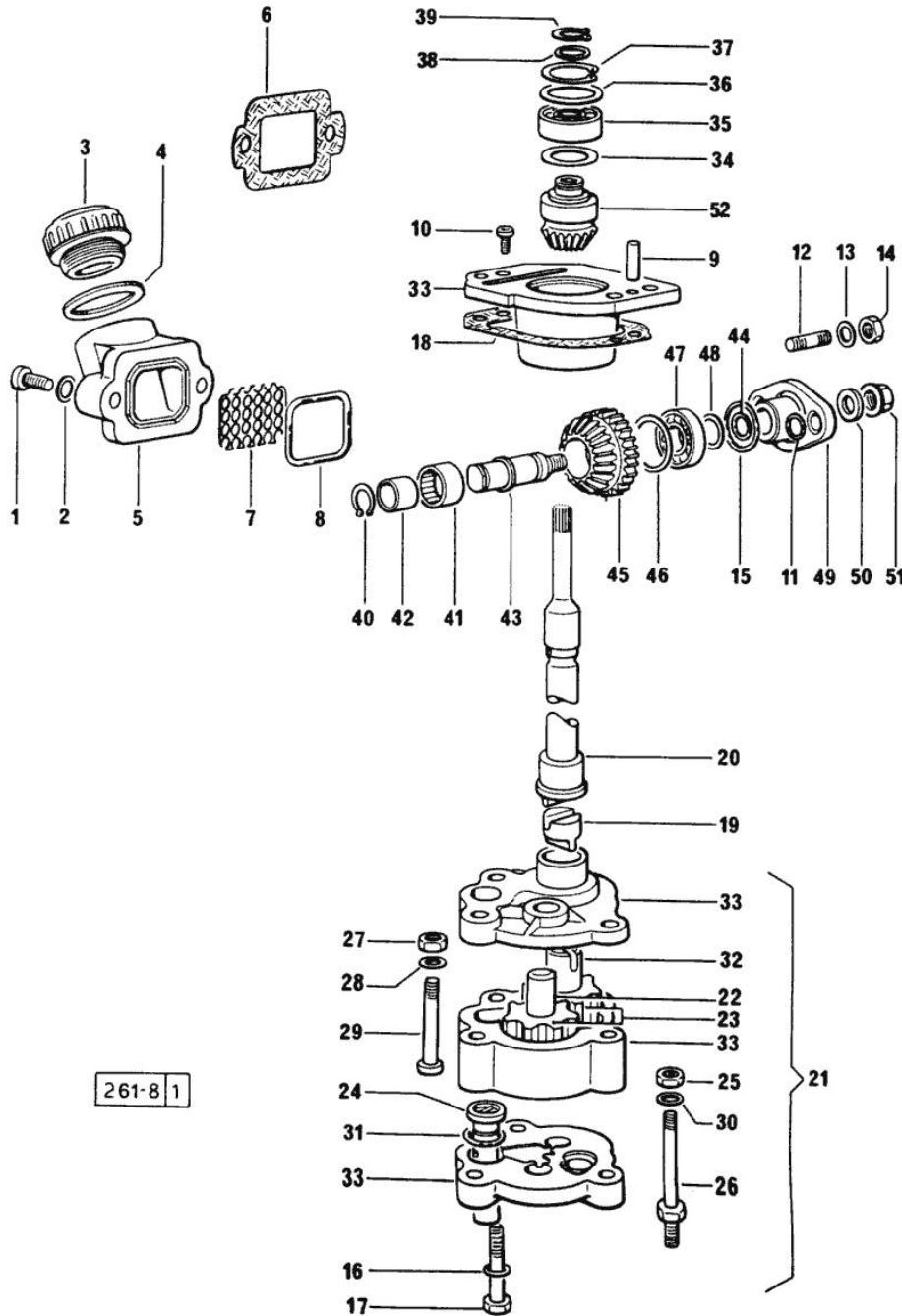


Fig.	P/n	QTY	Name
------	-----	-----	------

Notes:
 [H 466]

1	2.0312.205.2	2	screw
2	2.1480.014.1	2	washer 8
3	0.041.1135.4	1	plug 1" gas
4	2.1569.072.0	1	gasket 32 x 39.5 x 2
5	0.065.1565.0/10	1	pipe union
6	0.065.1566.0	1	gasket
7	0.065.1567.0/10	1	filter
8	2.1539.042.0	1	special oil seal 47.35x1.78
9	2.1652.711.0	2	cylindrical plug 8x25
10	2.0169.005.2	2	screw m 6 p.1 x 12
11	2.1530.016.0	2	oil seal 8.73 x 1.78
12	2.0439.151.2	2	stud bolt
13	2.1470.004.2	2	lock washer 8
14	2.1011.405.2	2	nut m 8 p.1
15	2.1530.053.0	1	oil seal 20.35x1.78
16	2.1470.006.2	2	lock washer 10
17	2.0112.324.2	2	screw m 10 p.1.5x75
18	0.065.1560.0	1	old part number
19	0.065.1562.0	1	joint
20	0.065.1569.0	1	shaft
21	9.06699.42.2	1	old part number
22	0.066.1529.0/10	1	small shaft
23	0.066.1521.0/20	2	gear
24	0.065.1552.3/30	1	valve
25	2.1011.105.2	1	nut m 8 p.1.25
26	2.0399.119.2	1	screw
27	2.1011.103.2	1	nut m 6 p.1
28	2.1480.012.1	1	washer 6, d128
29	2.0312.115.1	1	screw m 6 p.1x45
30	2.1480.014.1	1	washer 8
31	2.1539.041.0	1	special oil seal
32	0.066.1528.0/10	1	pin
33	0.000.0000.1	1	cannot be supplied
34	2.1589.148.0	1	shoulder ring 28.2 x 31.8 x 0.5
35	2.2020.001.0	1	ball bearing 15 x 32 x 8.00
36	2.1589.149.0	1	old part number
36	2.1589.150.0	1	shoulder ring 28.2 x 31.8 x 0.1
36	2.1589.151.0	1	shoulder ring 28.2 x 31.8 x 0.15
37	2.1411.013.1	1	circlip 32
38	2.1589.146.0	1	shoulder ring 15.2 x 19 x 0.15
38	2.1589.147.0	1	shoulder ring 15.2 x 19 x 0.10

<https://www.ebooklibonline.com>

Hello dear friend!

Thank you very much for reading.

Enter the link into your browser.

The full manual is available for immediate download.

<https://www.ebooklibonline.com>