

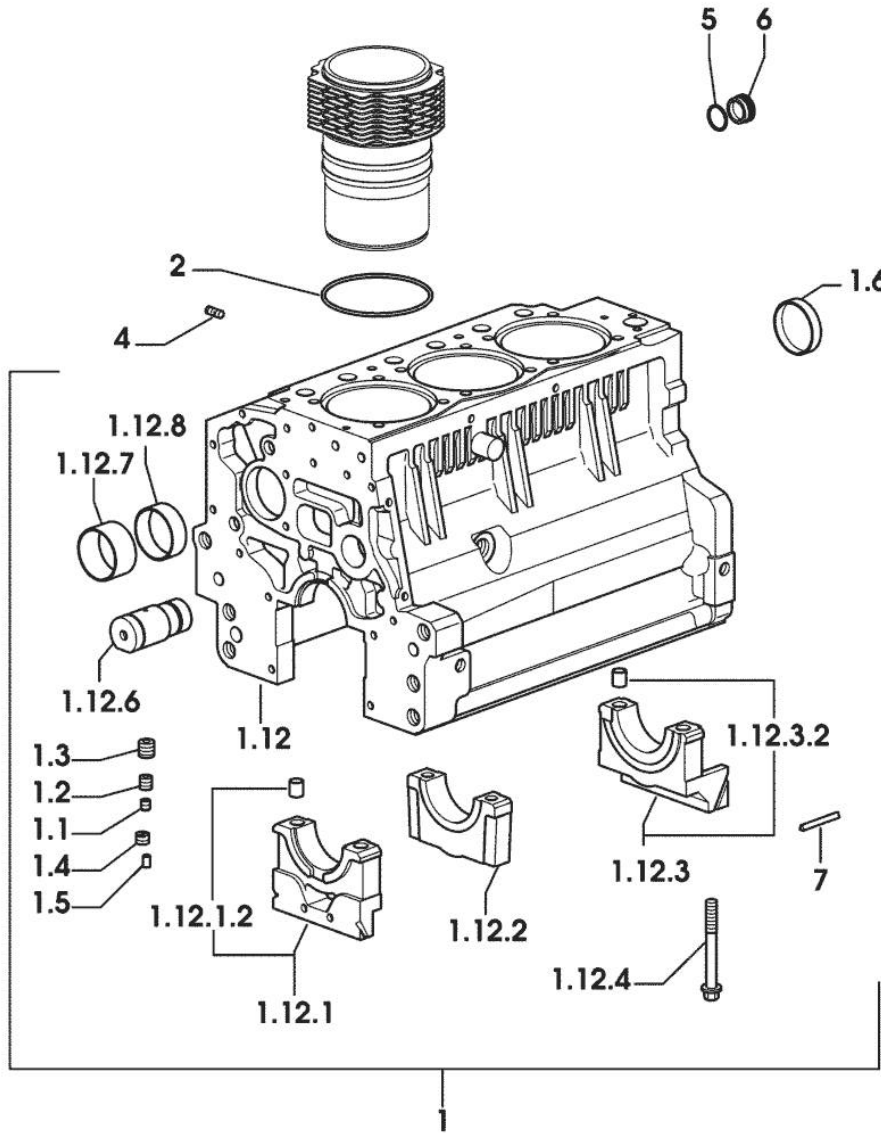
Section: ENGINE
CRANKCASE

9_34811_00_0_A

| Fig. | P/n | QTY | Name |
|------|-----|-----|------|
|------|-----|-----|------|

Notes:
 [H-365 F-XE]

| | | | |
|----------|-----------------|---|---------------------------------|
| 1 | 0.007.1150.6/10 | 1 | crankcase |
| 1.1 | 2.3130.001.1 | 9 | plug 1/8" gas |
| 1.2 | 2.3130.002.1 | 2 | plug 1/4" gas |
| 1.3 | 2.3130.003.1 | 7 | plug 3/8" gas |
| 1.4 | 2.1324.011.0 | 1 | plug |
| 1.5 | 2.3199.092.0 | 3 | plug 8 x 12 |
| 1.6 | 2.3179.012.0 | 1 | plug 60 |
| 1.12 | 0.000.0000.1 | | cannot be supplied |
| 1.12.1 | 0.065.1112.7 | 1 | support |
| 1.12.1.2 | 2.1699.165.0 | 1 | bush 12.3x15x16 |
| 1.12.2 | 0.065.1114.0/10 | 2 | support |
| 1.12.3 | 0.065.1116.3 | 1 | support |
| 1.12.3.2 | 2.1699.165.0 | 1 | bush 12.3x15x16 |
| 1.12.4 | 0.065.1117.0 | 8 | screw m 12 x 100 |
| 1.12.6 | 0.066.1151.0 | 1 | pin |
| 1.12.7 | 0.065.1141.0 | 1 | special bushing 59X55X30 |
| 1.12.8 | 0.065.1140.0 | 3 | special bushing 59X55X20 |
| 2 | 2.1539.130.0/10 | 3 | special oil seal 117.07x3.53 |
| 4 | 2.0432.003.7 | 9 | stud bolt m 8 p.1.25 / p.1 x 20 |
| 5 | 2.1532.072.0 | 1 | oil seal 26.70x1.78 |
| 6 | 2.3199.405.2 | 1 | plug m 28 p.1.5 |
| 7 | 0.066.1152.0/10 | 4 | gasket |



9_34811_00_0_B

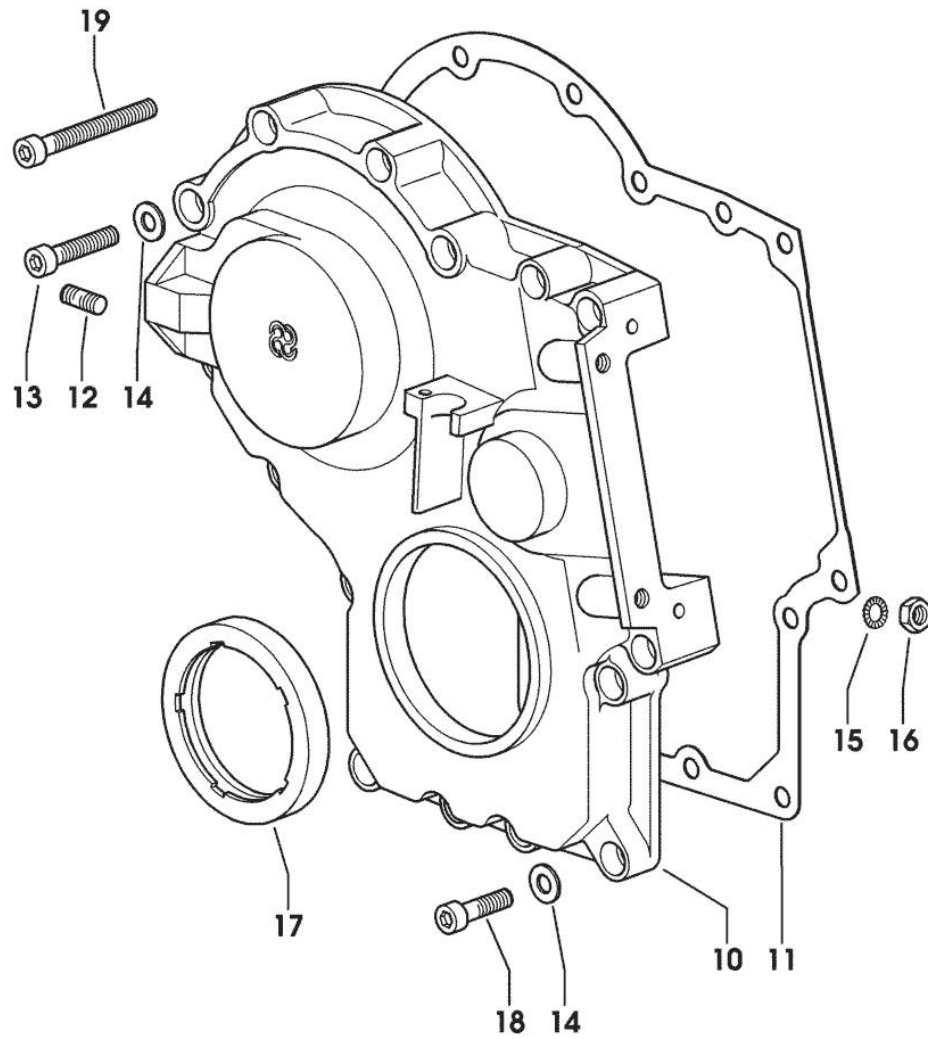
Section: ENGINE

TIMING CASE

| Fig. | P/n | QTY | Name |
|------|-----|-----|------|
|------|-----|-----|------|

Notes:

[H-365 F-XE]



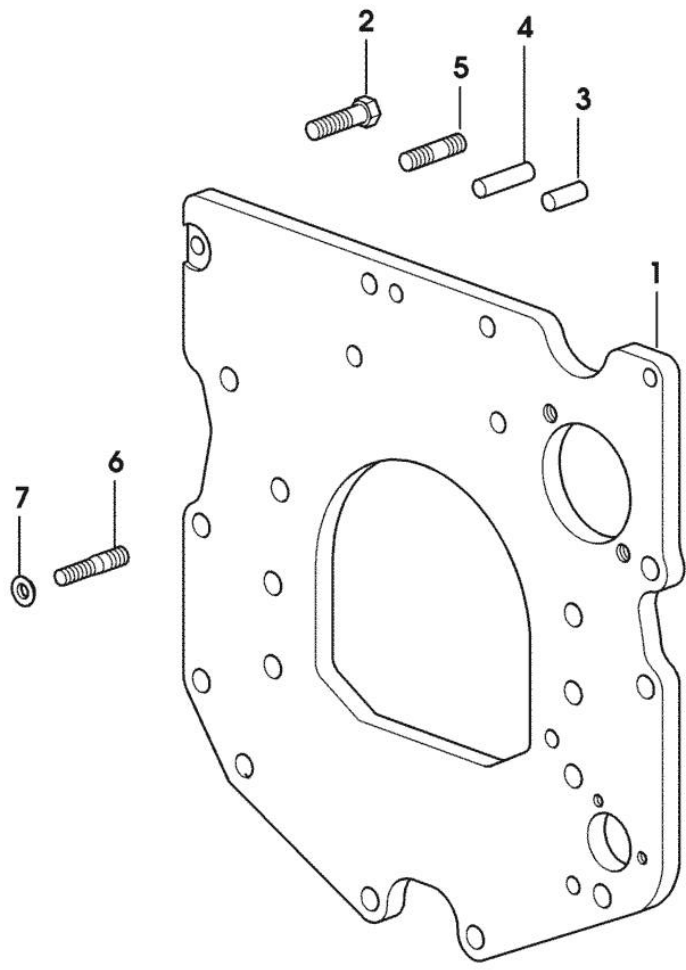
| | | | |
|----|-----------------|----|---------------------------------|
| 10 | 0.013.4981.0 | 1 | guard |
| 11 | 0.065.1150.0/30 | 1 | gasket |
| 12 | 2.0432.003.7 | 2 | stud bolt m 8 p.1.25 / p.1 x 20 |
| 13 | 2.0312.214.2 | 3 | screw m 8 p.1.25 x 40 |
| 14 | 2.1480.014.1 | 15 | washer 8 |
| 15 | 2.1470.004.2 | 4 | lock washer 8 |
| 16 | 2.1011.405.2 | 2 | nut m 8 p.1 |
| 17 | 2.1529.141.0 | 1 | special oil seal |
| 18 | 2.0312.208.2 | 8 | screw m 8 p.1.25 x 25 |
| 19 | 2.0312.219.2 | 4 | screw m 8 p.1.25x65 |

MONOBLOC ENGINE-GEARBOX CONNECTING FLANGE

| Fig. | P/n | QTY | Name |
|------|-----|-----|------|
|------|-----|-----|------|

Notes:
[H-365 F-XE]

| | | | |
|---|-----------------|---|-----------------------------------|
| 1 | 0.007.1882.0/50 | 1 | flange |
| 2 | 2.0112.511.2 | 8 | screw m 14 p.2 x 30 |
| 3 | 2.1651.912.0 | 2 | cylindrical plug 12x28 |
| 4 | 2.1651.917.0 | 1 | cylindrical plug 12x40 |
| 5 | 2.0432.257.7 | 1 | stud bolt m 12 p.1.75 - 1.25 x 30 |
| 6 | 2.0439.250.7 | 1 | stud bolt m 12 / m 10 x 30 |
| 7 | 0.011.9294.0/10 | 1 | bush |



9_38611_01_0_0

<https://www.ebooklibonline.com>

Hello dear friend!

Thank you very much for reading.

Enter the link into your browser.

The full manual is available for immediate download.

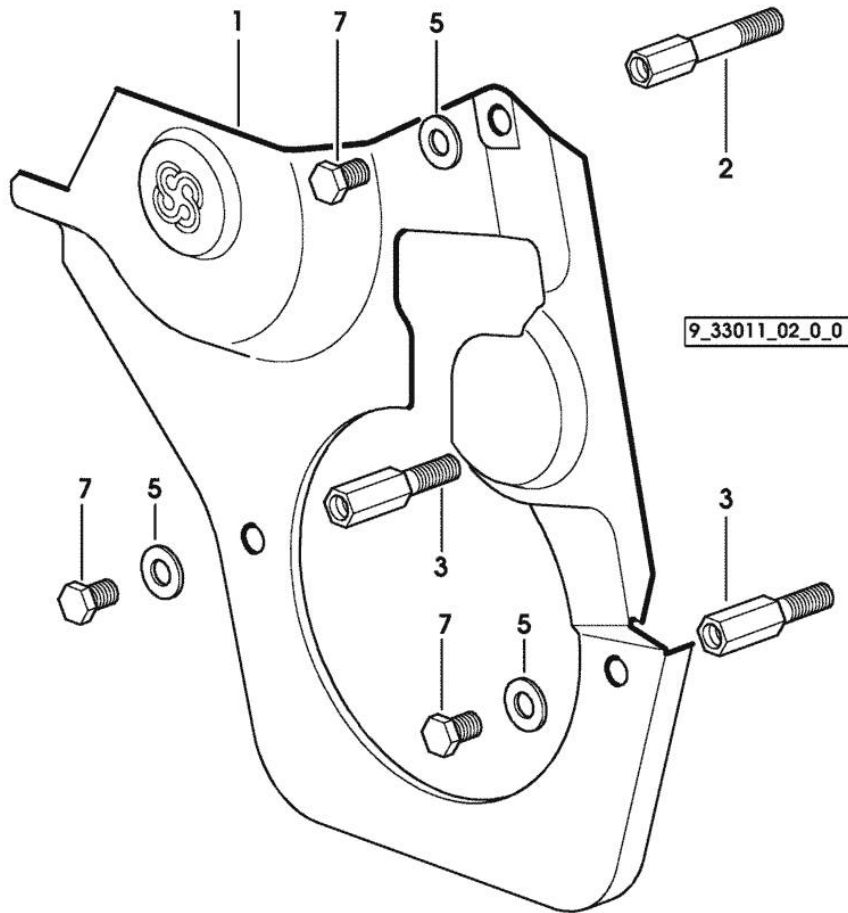
<https://www.ebooklibonline.com>

Section: ENGINE
GUARD PLATE

| Fig. | P/n | QTY | Name |
|------|-----|-----|------|
|------|-----|-----|------|

Notes:
 [H-365 F-XE]

| | | | |
|---|-----------------|---|-------------------------------------|
| 1 | 0.007.1262.3/50 | 1 | guard |
| 2 | 0.007.1271.0/10 | 1 | small column m 8 p.1.25 / L = mm 60 |
| 3 | 0.007.1272.0/10 | 2 | small column m 8 p.1.25 / L = mm 50 |
| 5 | 2.1310.004.2 | 3 | flat washer 8.4x17 |
| 7 | 2.0112.203.2 | 3 | screw m 8 p.1.25 x 12 |



Section: ENGINE

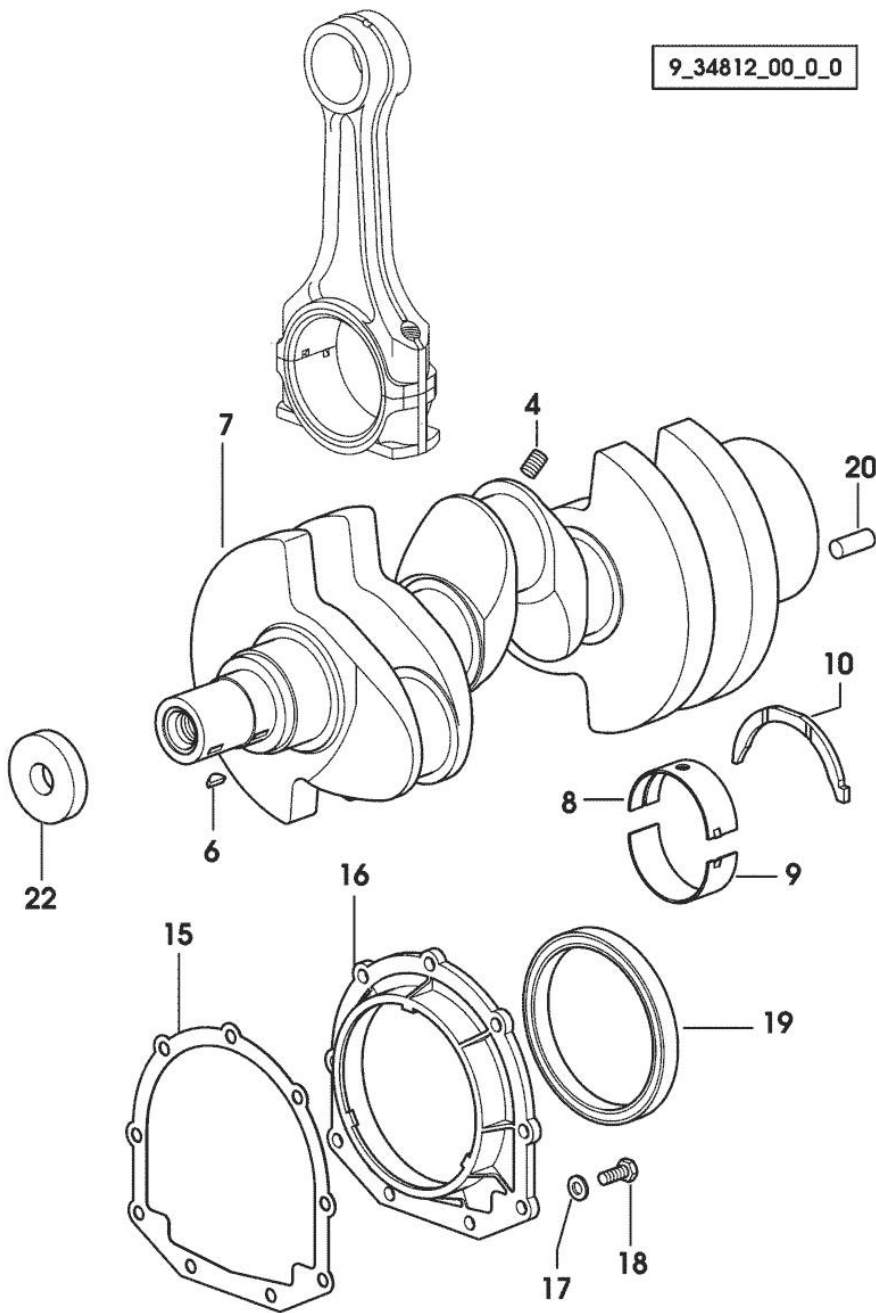
CRANKSHAFT

9_34812_00_0_0

| Fig. | P/n | QTY | Name |
|------|-----|-----|------|
|------|-----|-----|------|

Notes:
[H-365 F-XE]

| | | | |
|----|-----------------|---|-----------------------------|
| 4 | 2.3130.001.1 | 3 | plug 1/8" gas |
| 6 | 2.1720.006.0 | 2 | key 4x6.5 |
| 7 | 0.007.1554.0/20 | 1 | crankshaft |
| 8 | 0.065.1215.0 | 4 | main half bushing STANDARD |
| 8 | 0.065.1215.7 | | main half bushing - mm 0.25 |
| 8 | 0.065.1215.8 | | main half bushing - mm 0.50 |
| 9 | 0.065.1216.0 | 4 | main half bushing |
| 9 | 0.065.1216.7 | | main half bushing - mm 0.25 |
| 9 | 0.065.1216.8 | | main half bushing - mm 0.50 |
| 10 | 0.065.1218.0 | 4 | shim STANDARD |
| 10 | 0.065.1218.7 | | shim + mm 0.10 |
| 10 | 0.065.1218.8 | | shim + mm 0.15 |
| 15 | 0.065.1254.0/20 | 1 | gasket |
| 16 | 0.007.1711.0/10 | 1 | cover |
| 17 | 2.1475.002.2 | 9 | conical washer 8 |
| 18 | 2.0112.207.2 | 9 | screw m 8 p 1.25 x 20 |
| 19 | 2.1529.073.0 | 1 | special oil seal 110x130x13 |
| 20 | 2.1651.915.0 | 1 | pin 12x35 |
| 22 | 2.1599.524.7 | 1 | washer 21x60x12 |



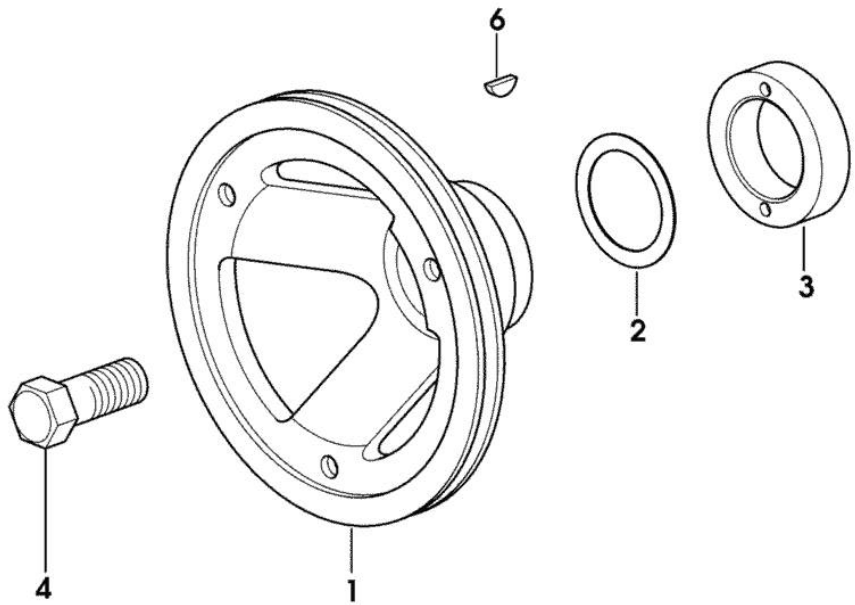
Section: ENGINE

CRANKSHAFT PULLEY

| Fig. | P/n | QTY | Name |
|------|-----|-----|------|
|------|-----|-----|------|

Notes:
[H-365 F-XE]

| | | | |
|---|-----------------|---|-----------------------|
| 1 | 0.007.1330.0/30 | 1 | pulley |
| 2 | 2.1589.189.0 | 2 | shoulder ring mm 1.00 |
| 3 | 0.085.1248.0/10 | 1 | hub |
| 4 | 2.0399.144.7/10 | 1 | screw m 20 p.1.5x51 |
| 6 | 2.1720.006.0 | 1 | key 4x6.5 |



9_33012_02_0_0

Section: ENGINE

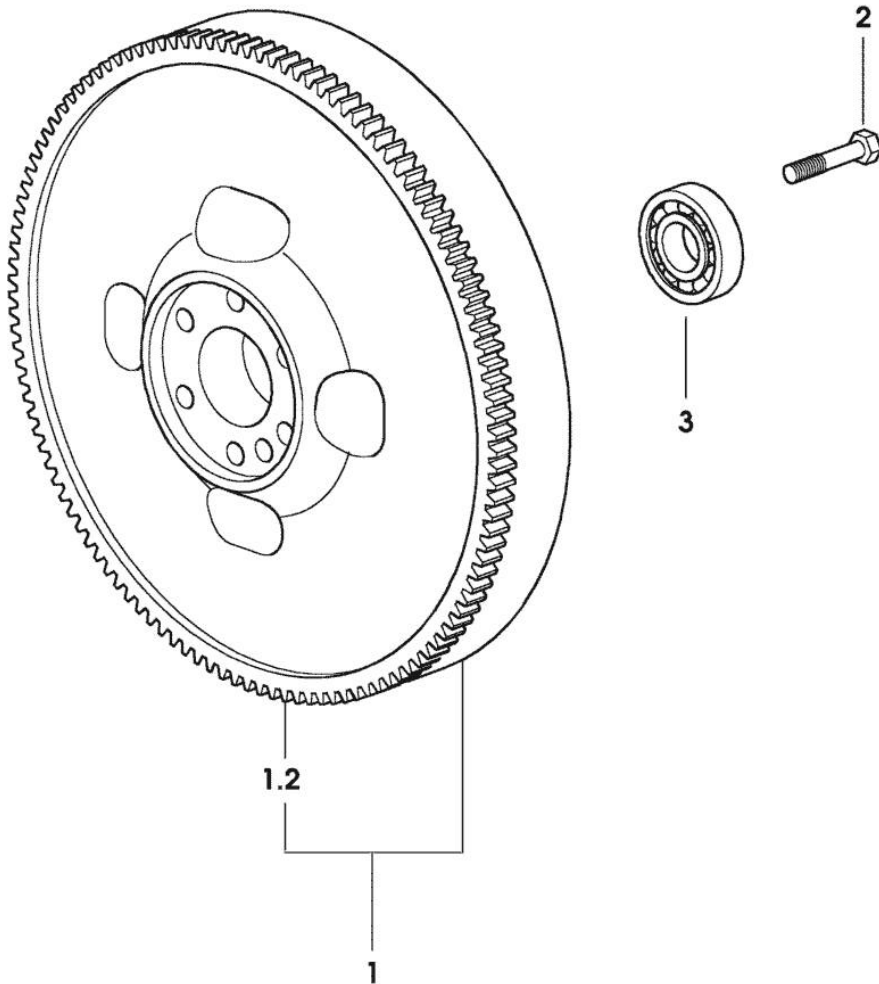
FLYWHEEL

| Fig. | P/n | QTY | Name |
|------|-----|-----|------|
|------|-----|-----|------|

Notes:

[H-365 F-XE]

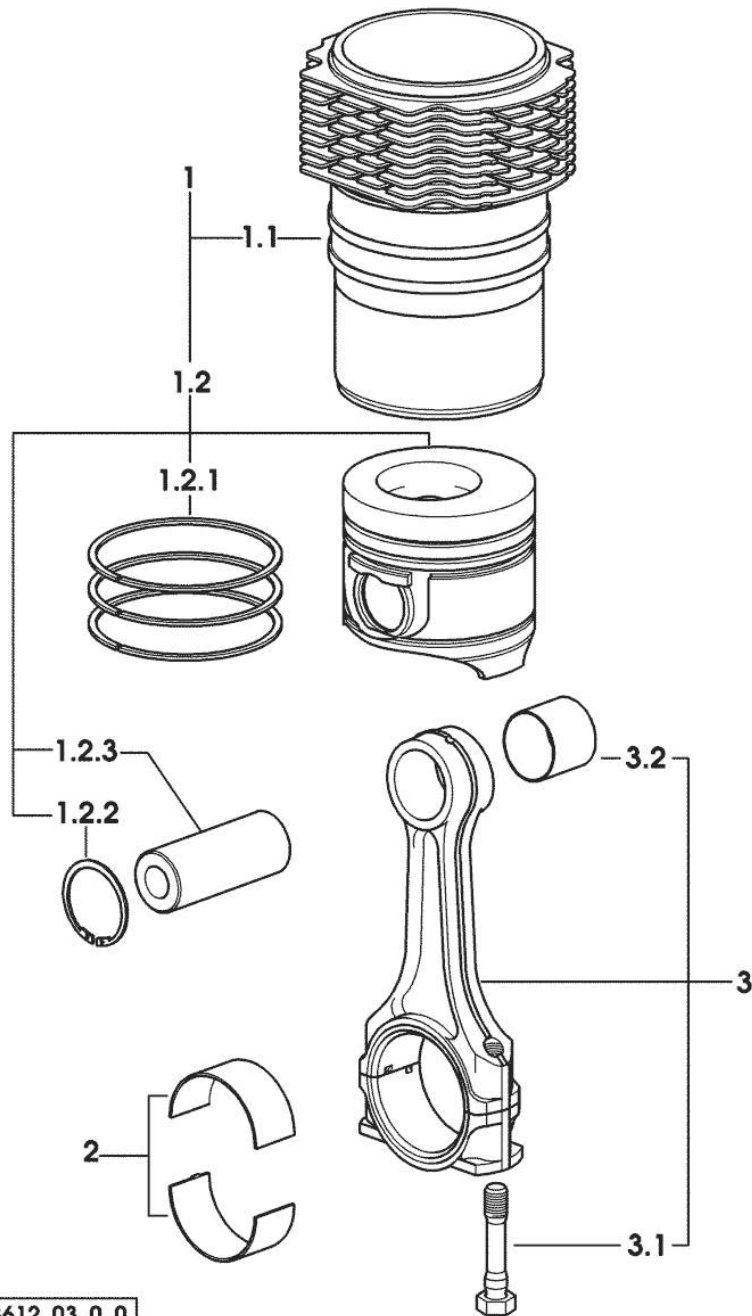
| | | | |
|-----|-----------------|---|-----------------------|
| 1 | 0.007.1617.3/30 | 1 | flywheel |
| 1.2 | 0.069.1242.0 | 1 | crown wheel Z = 121 |
| 2 | 2.0119.174.0/10 | 6 | screw m 12 p.1.25x45 |
| 3 | 2.2041.008.0 | 1 | ball bearing 20x47x14 |



9_31112_02_0_0

Section: ENGINE

CYLINDER - PISTON - CONNECTING ROD



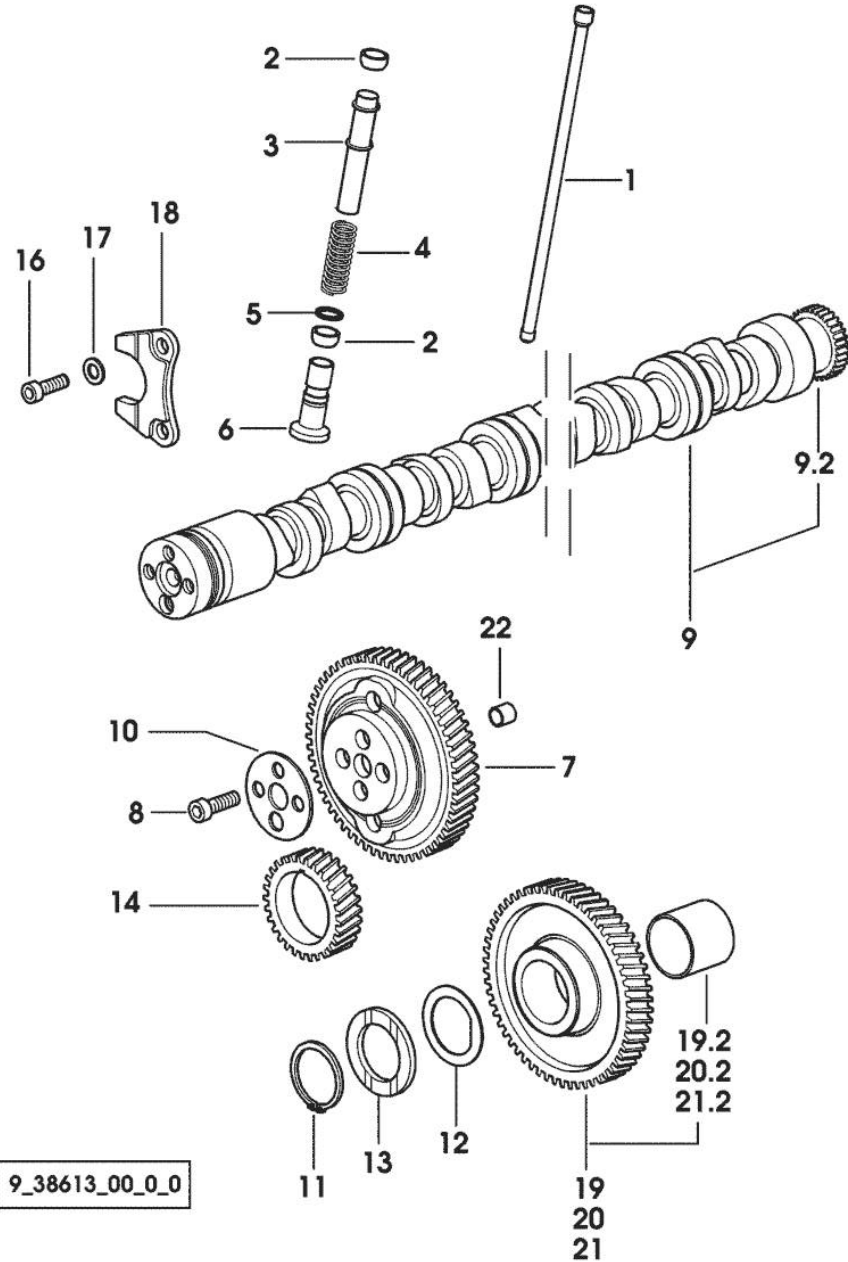
| Fig. | P/n | QTY | Name |
|------|-----|-----|------|
|------|-----|-----|------|

Notes:
[H-365 F-XE]

| | | | |
|-------|-----------------|---|---|
| 1 | 0.379.0065.A | 3 | cyl. piston assembly "A" - CLASS A |
| 1 | 0.379.0065.B | 3 | cyl. piston assembly "B" - CLASS B |
| 1.1 | 0.007.0762.0/50 | 1 | engine cylinder 30845 <= X H-355 F-XE 2115 <= X H-365 F-XE |
| 1.1 | 0.A13.0355.0 | 1 | engine cylinder "A" => 30846 X H-355 F-XE => 2116 X H-365 F-XE - CLASS A |
| 1.1 | 0.B13.0355.0 | 1 | engine cylinder "B" => 30846 X H-355 F-XE => 2116 X H-365 F-XE - CLASS B |
| 1.2 | 0.379.0060.6/10 | 1 | complete piston 30845 <= X H-355 F-XE 2115 <= X H-365 F-XE |
| 1.2 | 0.379.0060.A | 1 | complete piston "A" => 30846 X H-355 F-XE => 2116 X H-365 F-XE - CLASS A |
| 1.2 | 0.379.0060.B | 1 | complete piston "B" => 30846 X H-355 F-XE => 2116 X H-365 F-XE - CLASS B |
| 1.2.1 | 0.086.0052.6/10 | 1 | piston ring set |
| 1.2.2 | 2.1411.014.1 | 2 | circlip 35 |
| 1.2.3 | 0.078.1236.0 | 1 | piston pin Ø 18 / Ø 35 / L = mm 86 |
| 2 | 0.065.1225.0 | 6 | con.rod half bushing STANDARD - A = 28.75 -> 29.00 |
| 2 | 0.065.1225.7 | 6 | con.rod half bushing - mm 0.25 |
| 2 | 0.065.1225.8 | 6 | con.rod half bushing - mm 0.50 |
| 3 | 0.078.1220.3/30 | 3 | engine connecting rod |
| 3.1 | 2.0399.213.0 | 2 | screw m 12 p.1.25x61.5 |
| 3.2 | 2.1559.114.0/10 | 1 | special bushing |

Section: ENGINE

CAMSHAFT



| Fig. | P/n | QTY | Name |
|---------------|-----------------|-----|------------------------------------|
| Notes: | | | |
| [H-365 F-XE] | | | |
| 1 | 0.065.1331.2 | 6 | rod |
| 2 | 2.1569.114.0/10 | 12 | gasket 14x18.5x8 |
| 3 | 0.065.1332.0 | 6 | sleeve |
| 4 | 2.4019.300.1/10 | 6 | spring 18.5x52x2 |
| 5 | 2.1599.437.0 | 6 | shoulder ring |
| 6 | 0.065.1330.0 | 6 | tappets |
| 7 | 0.065.1354.0/20 | 1 | gear z=58 |
| 8 | 2.0132.207.2 | 4 | screw m 10 p.1 x 25 |
| 9 | 0.009.7456.3/10 | 1 | camshaft |
| 9.2 | 0.065.1324.0/10 | 1 | gear Z = 32 |
| 10 | 0.065.1350.0 | 1 | small disc |
| 11 | 2.1410.016.1 | 1 | circlip 40 |
| 12 | 0.065.1352.0 | 1 | shim |
| 13 | 0.065.1351.0 | 2 | shoulder ring |
| 14 | 0.065.1323.0/30 | 1 | gear Z = 29 |
| 16 | 2.0312.205.2 | 2 | screw |
| 17 | 2.1480.014.1 | 2 | washer 8 |
| 18 | 0.065.1353.0 | 1 | small plate |
| 19 | 0.007.1177.3/20 | | gear z = 57 |
| | | | - WITH RED IDENTIFICATION STAMP |
| 19.2 | 2.1559.185.0/10 | 1 | bushing |
| 20 | 0.007.1178.3/20 | | gear z = 57 |
| | | | - WITH YELLOW IDENTIFICATION STAMP |
| 20.2 | 2.1559.185.0/10 | 1 | bushing |
| 21 | 0.007.1179.3/20 | 1 | gear z = 57 |
| | | | - WITH GREEN IDENTIFICATION STAMP |
| 21.2 | 2.1559.185.0/10 | 1 | bushing |
| 22 | 2.1559.398.0 | 1 | bushing 10.5x13x12 |



Suggest:

For more complete manuals. Please go to the home page.

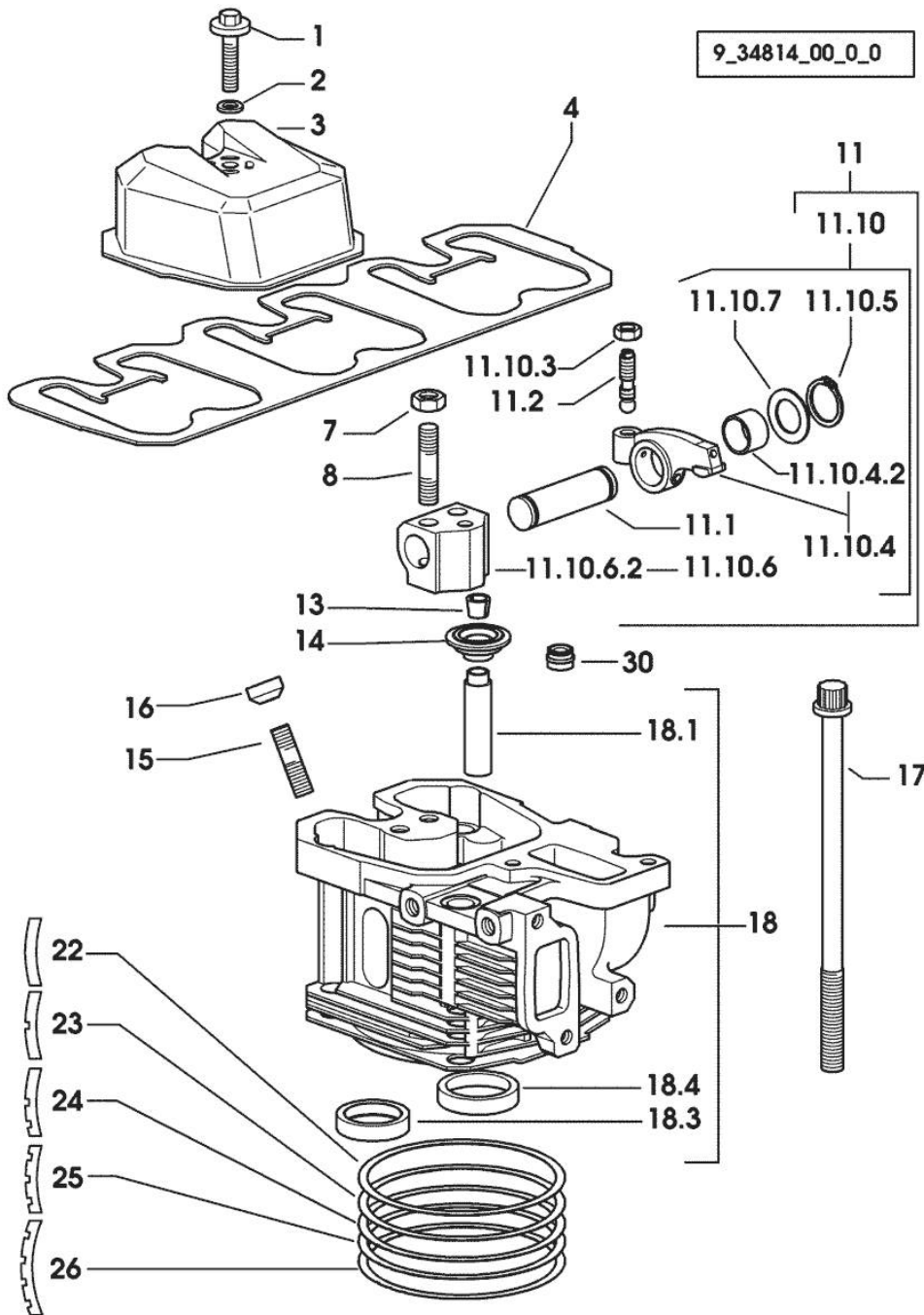
<https://www.ebooklibonline.com>

If the above button click is invalid. Please download this document first, and then click the above link to download the complete manual.

Thank you so much for reading

Section: ENGINE
CYLINDER HEAD

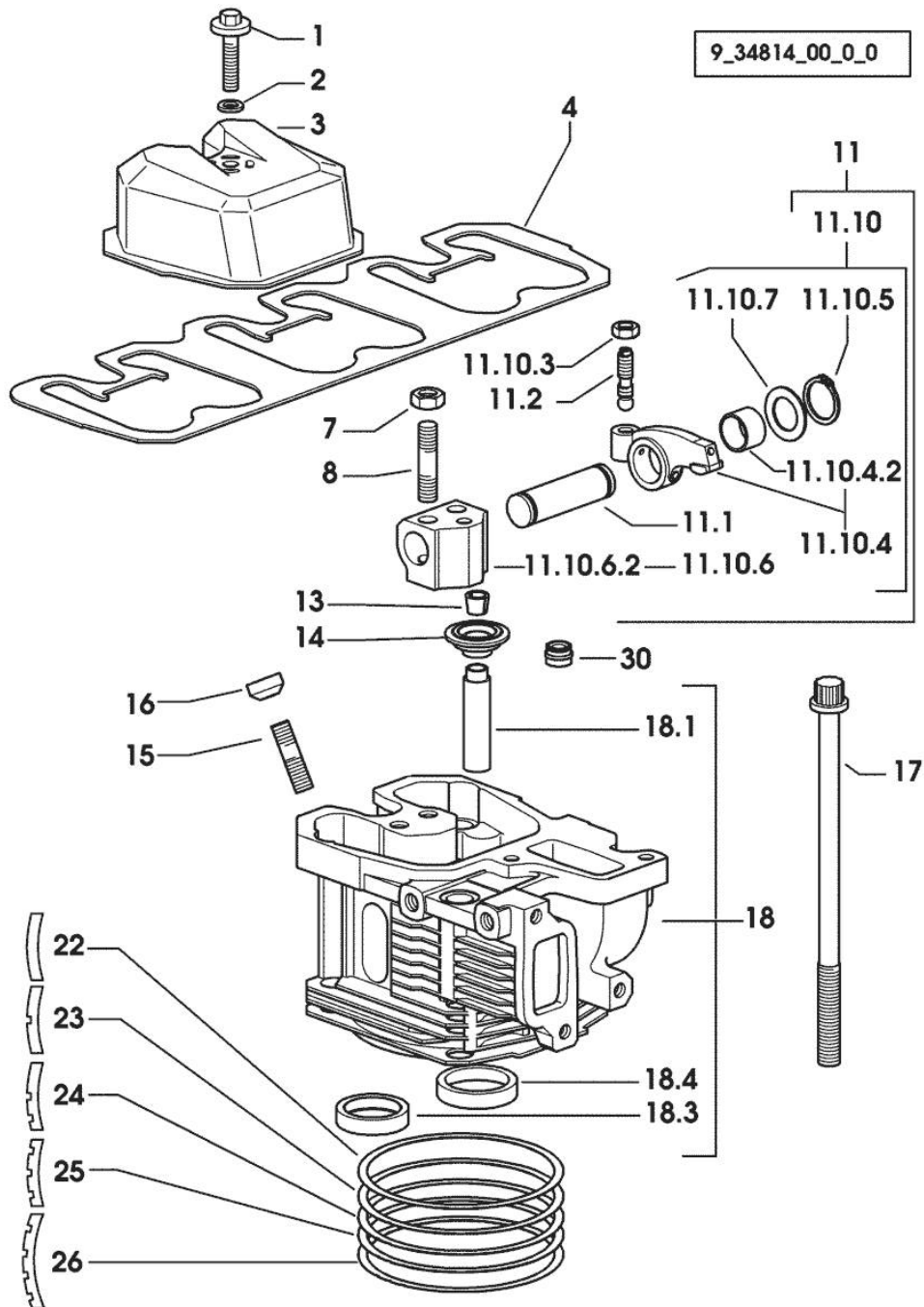
9_34814_00_0_0



| Fig. | P/n | QTY | Name |
|-------------------------------|-----------------|-----|--|
| Notes: [H-365 F-XE] | | | |
| 1 | 2.0399.130.2/10 | 3 | screw m 8x36x44 50050 <- X H-355 F-XE 50007 <- X H-365 F-XE |
| 1 | 2.0399.288.2/10 | 3 | screw m 8x36x46 -> 50051 X H-355 F-XE -> 50008 X H-365 F-XE |
| 2 | 2.1539.151.0 | 3 | special oil seal 9.19 x 2.62 -> 50051 X H-355 F-XE -> 50008 X H-365 F-XE |
| 2 | 2.1569.170.0/10 | 3 | gasket 8.2 x 14 50050 <- X H-355 F-XE 50007 <- X H-365 F-XE |
| 3 | 0.007.1139.0/10 | 3 | small cap |
| 4 | 0.069.1450.0/30 | 1 | tappet gasket |
| 7 | 2.1011.421.2 | 6 | nut m 10 p.1.25 |
| 8 | 2.0432.163.7 | 6 | stud bolt m 10 p.1.5 / p.1.25 x 45 |
| 11 | 0.000.0000.1 | | cannot be supplied |
| 11.1 | 0.066.1431.0 | 1 | pin |
| 11.2 | 0.021.1434.0 | 2 | screw |
| 11.10 | 0.000.0000.1 | | cannot be supplied |
| 11.10.3 | 2.1011.405.2 | 2 | nut m 8 p.1 |
| 11.10.4 | 0.066.1432.3 | 2 | rocker arm |
| 11.10.4.2 | 2.1559.021.0/40 | 1 | bushing 15x19x22 |
| 11.10.5 | 2.1410.055.7 | 2 | circlip 19 |
| 11.10.6 | 0.000.0000.1 | | cannot be supplied |
| 11.10.6.2 | 0.066.1430.0/10 | 1 | support |
| 11.10.7 | 2.1599.432.0 | 2 | shoulder ring |
| 13 | 0.074.1423.0 | 12 | conical valve cotter |
| 14 | 0.066.1425.0 | 6 | cup |
| 15 | 2.0432.161.7 | 3 | stud bolt m 10 p.1.5 / p.1.25 x 40 |
| 16 | 0.007.1122.0/10 | 3 | bush L = mm 6.4 |
| 17 | 0.065.1443.0/20 | 12 | screw |
| 18 | 0.007.1110.3/60 | 3 | engine head |
| 18.1 | 0.007.1779.0/20 | 2 | valve guide |
| 18.3 | 0.066.1427.0 | 1 | valve seat |
| 18.4 | 0.078.1426.0 | 1 | valve seat |
| 22 | 0.085.1450.0/10 | | head gasket mm 0.50 |
| 23 | 0.085.1451.0/10 | 3 | head gasket mm 0.7 |
| 24 | 0.085.1452.0/10 | 1 | head gasket mm 1.0 |
| 25 | 0.085.1453.0/10 | 1 | head gasket mm 0.8 |
| 26 | 0.013.4598.0 | 3 | head gasket mm 1.3 |

Section: ENGINE
CYLINDER HEAD

9_34814_00_0_0



| Fig. | P/n | QTY | Name |
|------|--------------|-----|------------------|
| 30 | 2.1519.117.0 | 6 | special oil seal |

<https://www.ebooklibonline.com>

Hello dear friend!

Thank you very much for reading.

Enter the link into your browser.

The full manual is available for immediate download.

<https://www.ebooklibonline.com>