

Section: ENGINE  
**CRANKCASE**

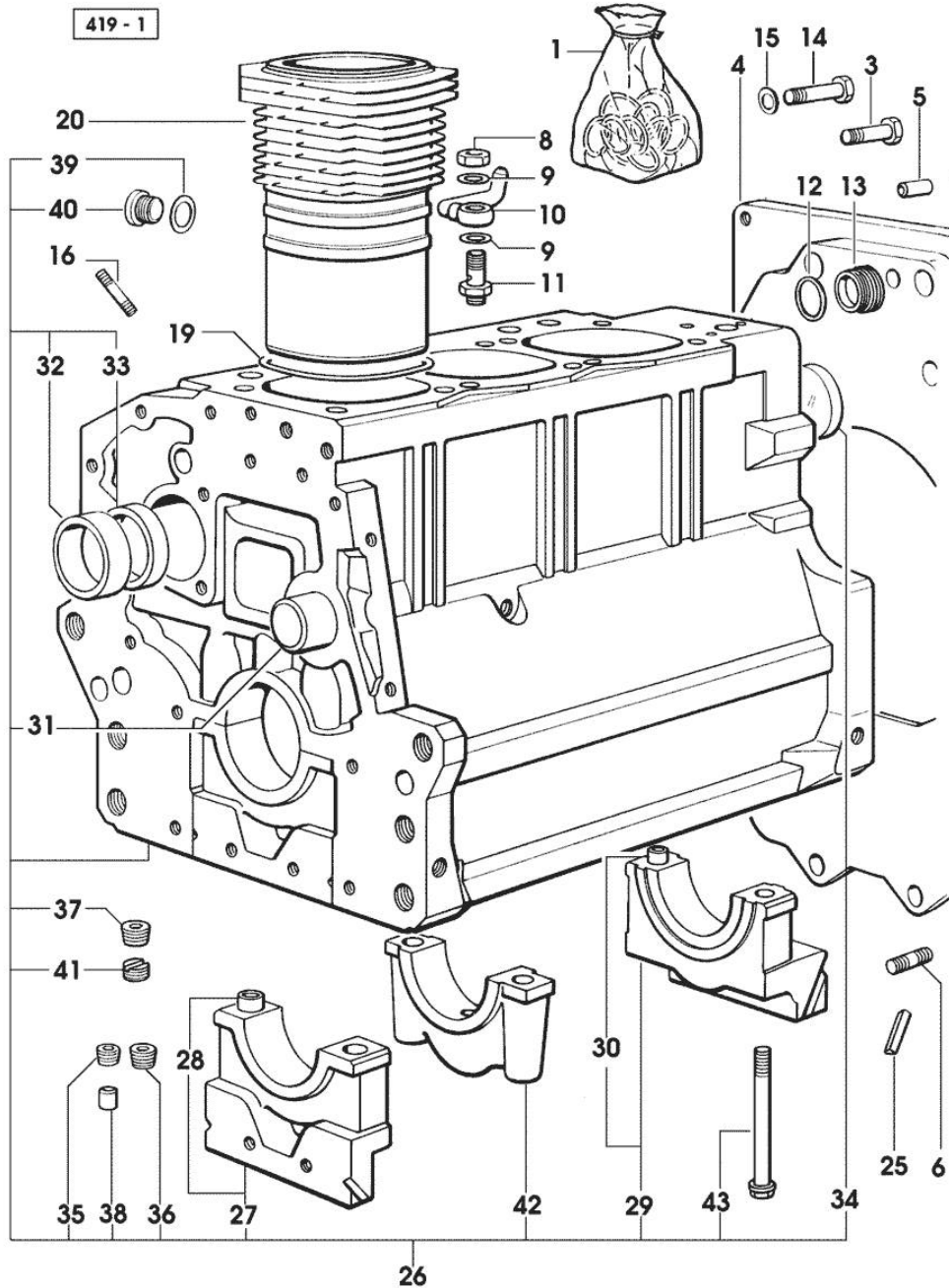
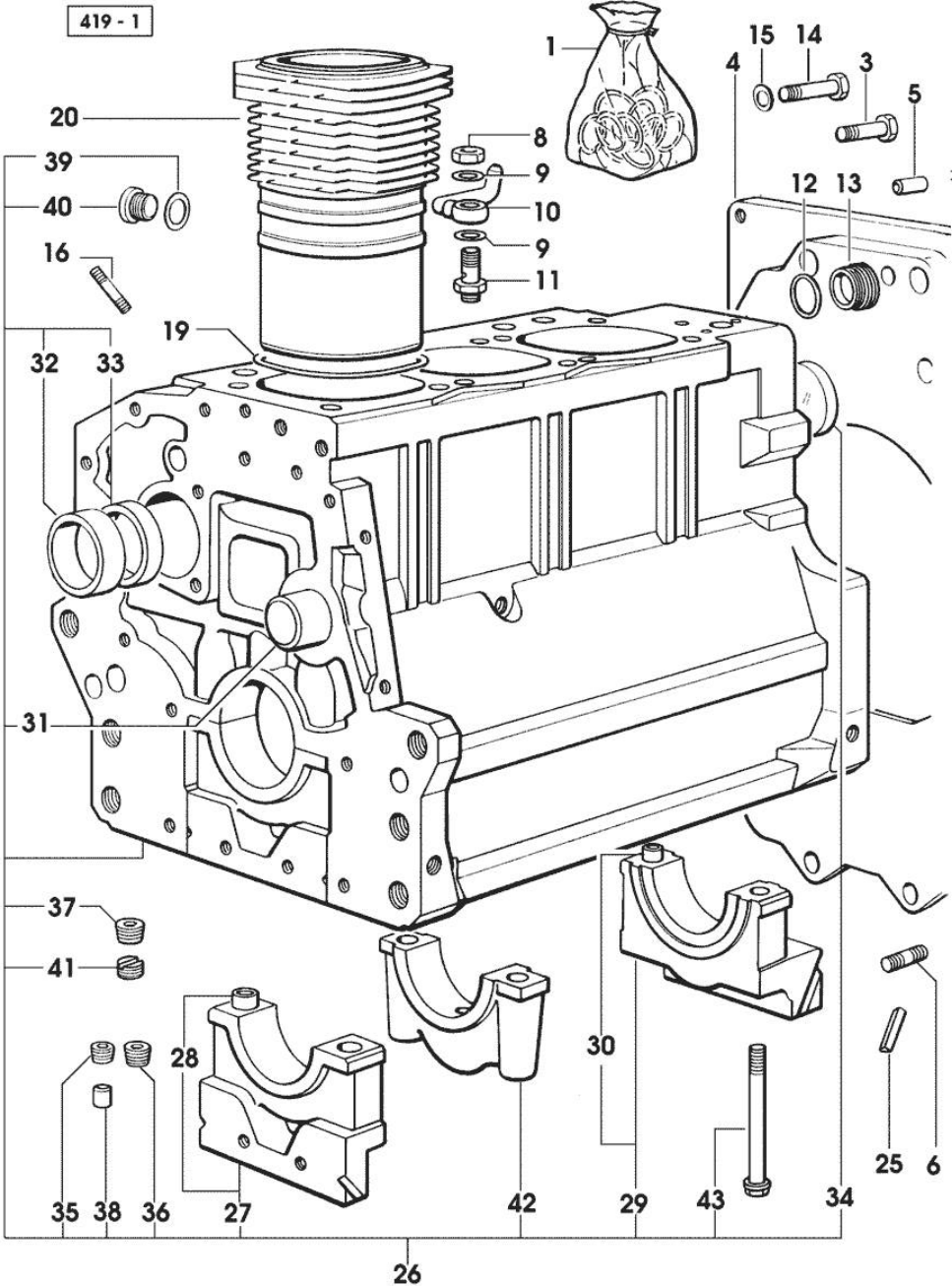


Fig.	P/n	QTY	Name
1	0.085.0050.6/10	1	gasket set - X 60HP - FOR ENGINE MOUNTING
1	0.351.0050.6/10	1	gasket set - X 70HP - FOR ENGINE MOUNTING
3	2.0112.511.1	8	screw m 14 p.2 x 30
4	0.330.1130.0/10	1	flange
5	2.1651.912.0	2	cylindrical plug 12x28
6	2.0432.255.7	2	stud bolt m 12 p.1.75-1.25x25
8	2.1099.108.2	3	special nut m 10 p.1
9	2.1560.006.0	6	gasket 10.2 x 16
10	0.086.1550.2	3	sprayer nozzle
11	0.065.1160.3/20	3	valve
12	2.1539.047.0	1	special oil seal 26.7x1.78
13	2.3199.405.2	1	plug m 28 p.1.5
14	2.0312.516.1	2	screw m 14 p.2x50
15	2.1480.018.1	2	washer 14
16	2.0432.003.7	9	stud bolt m 8 p.1.25 / p.1 x 20
19	2.1519.096.0/10	3	oil seal 107.67x1.78 (...) <=
19	2.1539.130.0/10	3	special oil seal 117.07x3.53 => (...)
20	0.007.0762.0/50	3	engine cylinder => (...)
20	0.085.1120.0/10	3	engine cylinder (...) <=
25	0.066.1152.0	4	gasket
26	0.007.1150.6/10	1	crankcase => 12953 X 60HP => 2680 X 70HP
26	0.085.1110.6	1	crankcase 12952 <= X 60HP 2679 <= X 70HP
27	0.065.1112.7	1	support
28	2.1699.165.0	1	bush 12.3x15x16
29	0.065.1116.3	1	support
30	2.1699.165.0	1	bush 12.3x15x16
31	0.066.1151.0	1	pin
32	0.065.1141.0	1	special bushing 59X55X30
33	0.065.1140.0	3	special bushing 59X55X20

Section: ENGINE  
CRANKCASE

Fig.	P/n	QTY	Name
34	2.3179.012.0	1	plug 60
35	2.3130.001.1	9	plug 1/8" gas
36	2.3130.002.1	2	plug 1/4" gas
37	2.3130.003.1	7	plug 3/8" gas
38	2.3199.092.0	3	plug 8 x 12
39	2.1560.017.0	1	gasket 22.2 x 27
40	2.3120.002.4	1	plug m 22 x 1.5
41	2.1324.011.0	1	plug
42	0.065.1114.0/10	2	support
43	0.065.1117.0	8	screw m 12 x 100

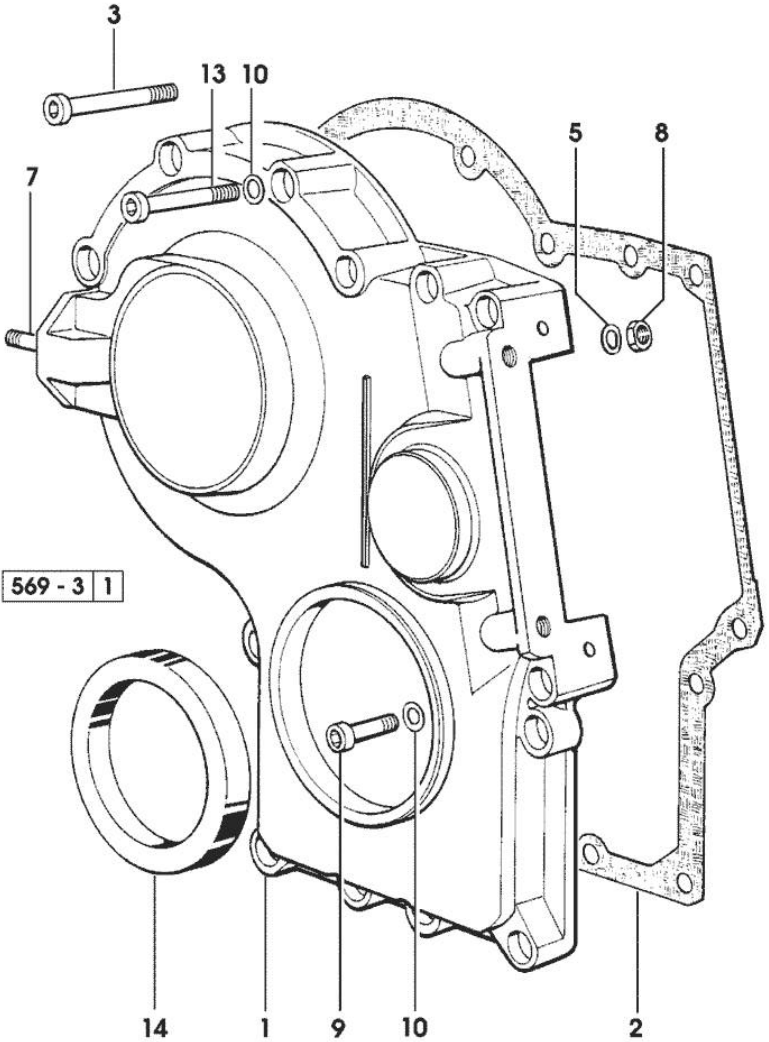


Section: ENGINE  
TIMING CASE

Fig.	P/n	QTY	Name
------	-----	-----	------

Notes:  
[H-362]

1	0.065.1132.0/60	1	guard
2	0.065.1150.0/30	1	gasket
3	2.0312.219.2	4	screw m 8 p.1.25x65
5	2.1470.004.2	4	lock washer 8
7	2.0432.003.2	2	stud bolt m 8 p.1x20
8	2.1011.405.2	2	nut m 8 p.1
9	2.0312.208.2	8	screw m 8 p.1.25 x 25
10	2.1480.014.1	15	washer 8
13	2.0312.214.2	3	screw m 8 p.1.25 x 40
14	2.1529.141.0	1	special oil seal



**<https://www.ebooklibonline.com>**

Hello dear friend!

Thank you very much for reading.

Enter the link into your browser.

The full manual is available for immediate download.

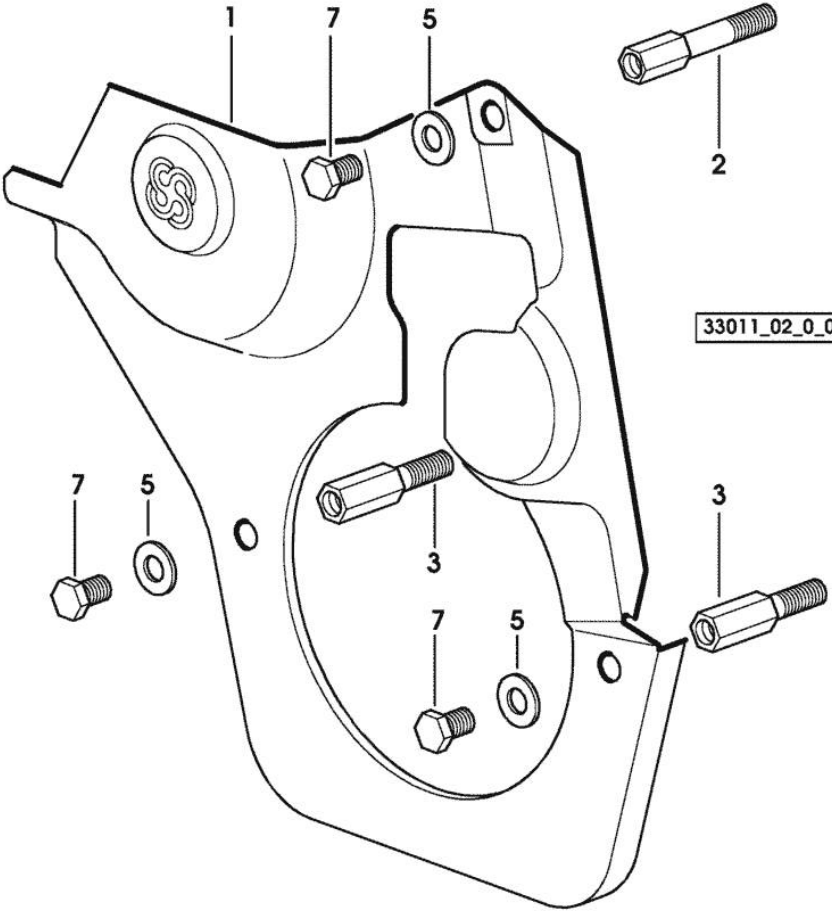
**<https://www.ebooklibonline.com>**

Section: ENGINE  
TIMING CASE

Fig.	P/n	QTY	Name
------	-----	-----	------

Notes:  
[H-362]

1	0.007.1262.3/50	1	guard
2	0.007.1271.0/10	1	small column m 8 p.1.25 / L = mm 60
3	0.007.1272.0/10	2	small column m 8 p.1.25 / L = mm 50
5	2.1310.004.2	3	flat washer 8.4x17
7	2.0112.205.2	3	screw m 8 p.1.25 x 16



Section: ENGINE

**CRANKSHAFT**

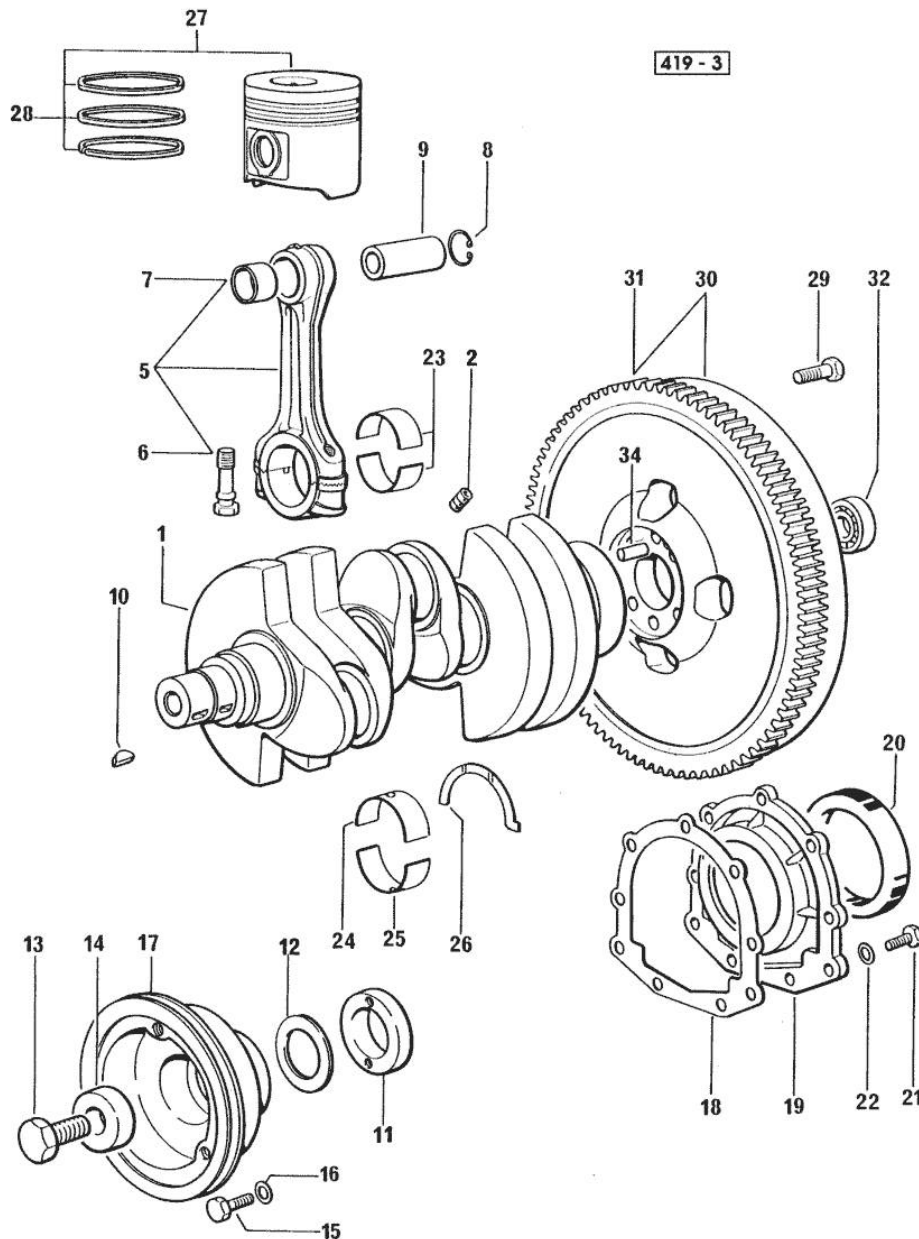


Fig.	P/n	QTY	Name
<b>Notes:</b>			
[H-362]			
1	0.007.1554.0/20	1	crankshaft * 14257 <= X 60HP * 2809 <= X 60HP - N.1 - 007.1711.0/10 - N.3 - 2.3130.001.1
2	2.3130.001.1	3	plug 1/8" gas
5	0.078.1220.3/30	3	engine connecting rod
6	2.0399.213.0	6	screw m 12 p.1.25x61.5
7	2.1559.114.0/10	3	special bushing
8	2.1411.014.1	6	circlip 35
9	0.078.1236.0	3	piston pin Ø 18 / Ø 35 / L = mm 86
10	2.1720.006.0	2	key 4x6.5
11	0.085.1248.0/10	1	hub
12	2.1589.189.0	3	shoulder ring mm 1.00
13	2.0399.144.7/10	1	screw m 20 p.1.5x51
14	2.1599.524.7	1	washer 21x60x12
15	2.0312.308.1	3	screw m 10 p.1.5 x 25
16	2.1480.015.1	3	washer 10
17	0.007.1330.0/30	1	pulley * (...)<=
18	0.065.1254.0/20	1	gasket
19	0.007.1711.0/10	1	cover => 14258 X 60HP => 2810 X 70HP
19	0.065.1253.0/10	1	cover 14257 <= X 60HP 2809 <= X 70HP
20	2.1529.073.0	1	special oil seal 110x130x13
21	2.0112.207.2	9	screw m 8 p 1.25 x 20
22	2.1475.002.2	9	conical washer 8
23	0.065.1225.0	6	con.rod half bushing STANDARD - A = 28.75 -> 29.00
23	0.065.1225.7		con.rod half bushing - mm 0.25
23	0.065.1225.8		con.rod half bushing - mm 0.50
24	0.065.1215.0	4	main half bushing STANDARD
24	0.065.1215.7		main half bushing - mm 0.25
24	0.065.1215.8		main half bushing - mm 0.50
25	0.065.1216.0	4	main half bushing
25	0.065.1216.7		main half bushing - mm 0.25
25	0.065.1216.8		main half bushing - mm 0.50
26	0.065.1218.0	3	shim STANDARD
26	0.065.1218.7		shim + mm 0.10

Section: ENGINE  
**CRANKSHAFT**

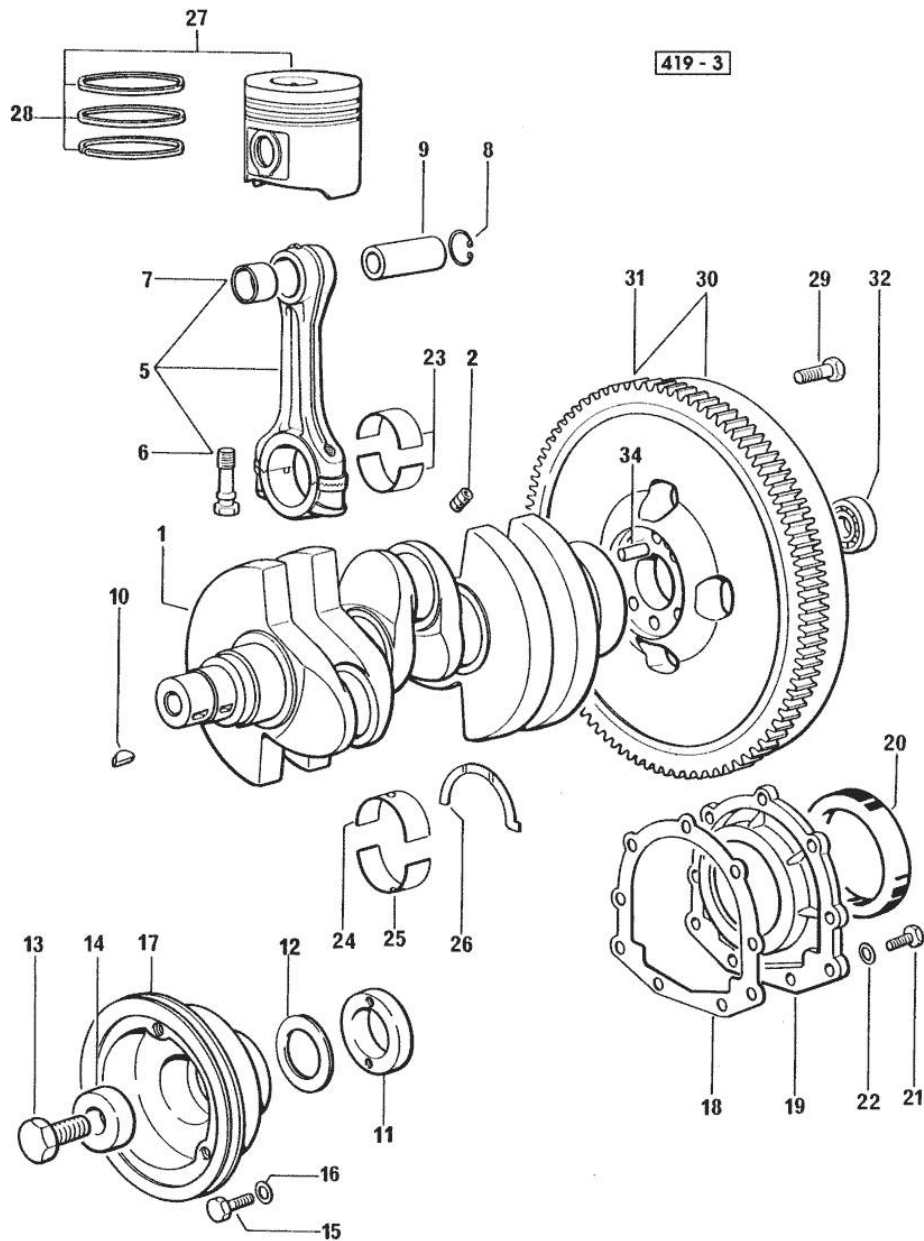


Fig.	P/n	QTY	Name
26	0.065.1218.8		shim + mm 0.15
27	0.086.0060.6/30	3	complete piston - X 60HP
27	0.338.0060.6/20	3	complete piston - X 70HP
28	0.081.0090.6/10	3	piston ring set (...) <= X 70HP - TORSIONAL
28	0.086.0052.6/10	3	piston ring set - X 60HP
28	0.338.0052.6/10	3	piston ring set => (...) X 70HP - TRAPEZOIDAL
29	0.330.1250.0	6	screw m 12 p.1.25x98
30	0.330.1247.3	1	flywheel
31	0.069.1242.0	1	crown wheel Z = 121
32	2.2041.008.0	1	ball bearing 20x47x14
34	2.1652.915.0	1	cylindrical plug 12x35

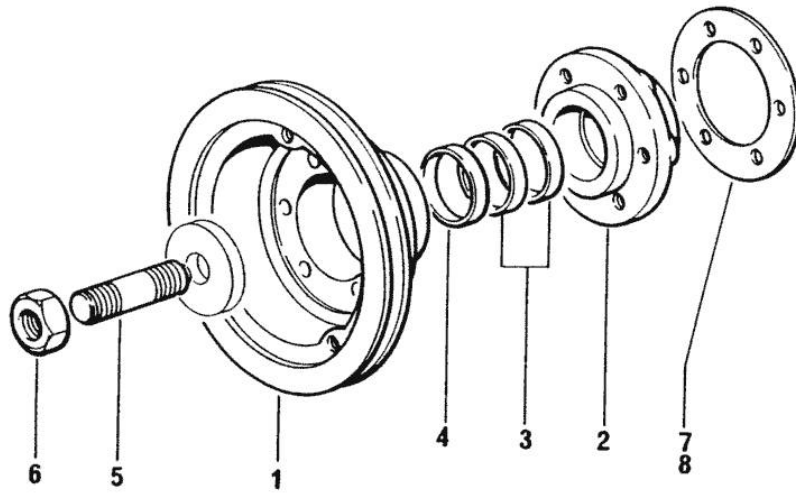
**ENGINE SHAFT - FRONT P.T.O. PULLEYS**

Fig.	P/n	QTY	Name
------	-----	-----	------

Notes:  
[H-362]

1	0.086.1244.0	1	pulley
2	0.011.3515.0/10	1	hub Z = 48
3	0.065.1256.0	2	ring 45x52
4	2.1579.865.0	1	spacer 45.2x51.8x10
5	2.0439.195.7	1	stud bolt m 20 p.1.5x80
6	2.1019.094.7	1	nut m 20 p.1.5
7	2.1589.137.0	3	shoulder ring 71x110x1
8	2.1589.136.0	1	shoulder ring 71x110x0.5

419 - 3 - 1



Section: ENGINE

**CAMSHAFT**

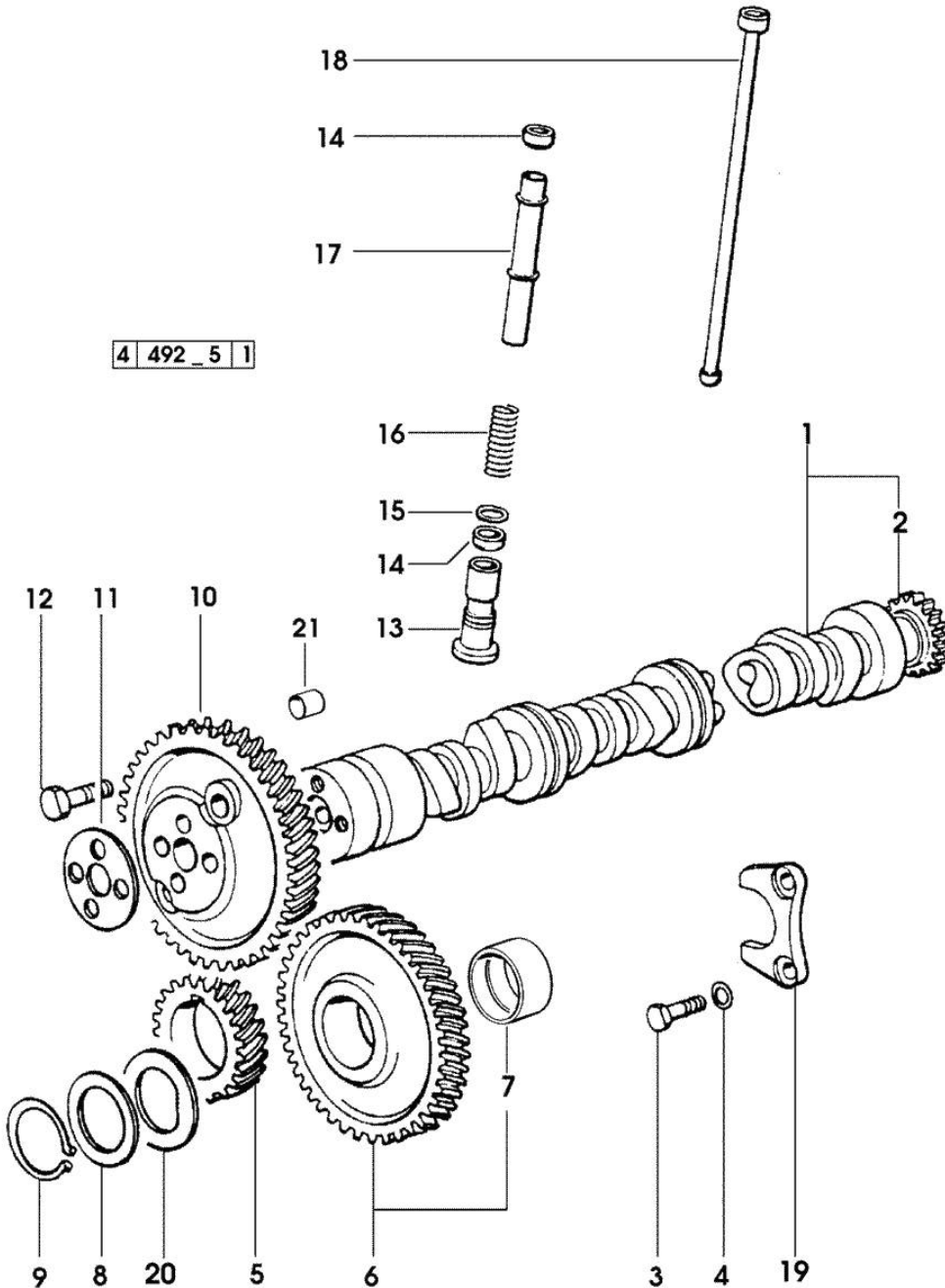
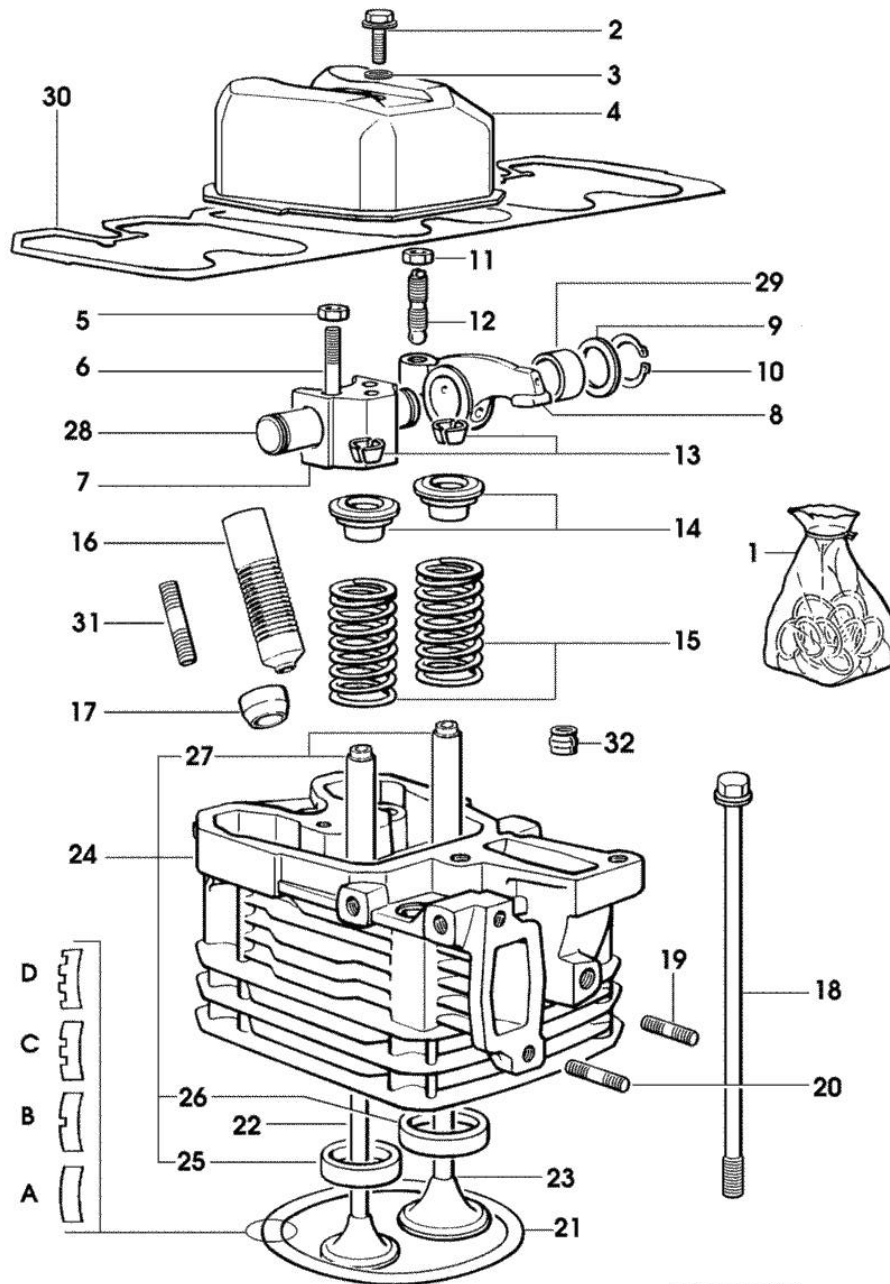


Fig.	P/n	QTY	Name
------	-----	-----	------

Notes:  
[H-362]

1	0.070.1310.3/40	1	camshaft
2	0.065.1324.0/10	1	gear Z = 32
3	2.0312.206.2	2	screw m 8 p 1.25 x 20
4	2.1480.014.1	2	washer 8
5	0.065.1323.0/30	1	gear Z = 29
6	0.007.1177.3/10	1	gear z = 57 => (...)
			- WITH RED IDENTIFICATION STAMP
6	0.007.1178.3/10	1	gear z = 57 => (...)
			- WITH YELLOW IDENTIFICATION STAMP
6	0.007.1179.3/10	1	gear z = 57 => (...)
			- WITH GREEN IDENTIFICATION STAMP
6	0.065.1325.3/20	1	gear Z = 57 (...) <=
7	2.1559.185.0/10	1	bushing
8	0.065.1352.0	1	shim
9	2.1410.016.1	1	circlip 40
10	0.065.1354.0/20	1	gear z=58
11	0.065.1350.0	1	small disc
12	2.0132.207.2	4	screw m 10 p.1 x 25
13	0.065.1330.0	6	tappets
14	2.1569.114.0/10	12	gasket 14x18.5x8
15	2.1599.437.0	6	shoulder ring
16	2.4019.300.1/10	6	spring 18.5x52x2
17	0.065.1332.0	6	sleeve
18	0.065.1331.2	6	rod
19	0.065.1353.0	1	small plate
20	0.065.1351.0	2	shoulder ring
21	2.1559.398.0	1	bushing 10.5x13x12

Section: ENGINE  
CYLINDER HEAD

2419\_51

Fig.	P/n	QTY	Name
<b>Notes:</b> [H-362]			
1	0.085.0057.6/10	1	gasket set - FOR 1 CYLINDER VALVE GRINDING AND PISTON RINGS REPLACEMENT
2	2.0399.130.2	3	screw m 8 x 30 (...) <=
2	2.0399.130.2/10	3	screw m 8x36x44 => (...)
3	2.1569.170.0/10	3	gasket 8.2 x 14
4	0.007.1139.0/10	3	small cap * (...) <=
5	2.1011.421.2	6	nut m 10 p.1.25
6	2.0432.163.7	6	stud bolt m 10 p.1.5 / p.1.25 x 45
7	0.066.1430.0/10	3	support
8	0.066.1432.0	6	rocker arm
9	2.1599.432.0	6	shoulder ring
10	2.1410.055.1	6	circlip 19
11	2.1011.405.2	6	nut m 8 p.1
12	0.021.1434.0	6	screw
13	0.074.1423.0	6	conical valve cotter
14	0.066.1425.0	6	cup
15	2.4019.287.0	6	spring
16	0.065.1413.0/10	3	bush L = mm 97.1 (...) <=
17	0.007.1122.0/10	3	bush L = mm 6.4 => (...)
18	0.065.1443.0/20	12	screw
19	2.0432.007.2	4	stud bolt m 8 p.1.25 / p.1 x 30 - X 60HP
20	2.0432.021.7	2	stud bolt m 8 p.1.25 - 1.00 x 80 - X 70HP
21	0.085.1450.0	3	head gasket mm 0.5 -A-
21	0.085.1451.0	2	head gasket mm 0.7 -B-
21	0.085.1452.0	2	head gasket mm 1.0 -C-
21	0.085.1453.0	4	head gasket mm 0.8 -D-
22	0.066.1421.0	3	exhaust valve
23	0.078.1420.0	3	inlet valve - X 60HP
23	0.081.1420.0	3	inlet valve Ø mm 9 - X 70HP
24	0.007.1110.3/50	3	engine head



**Suggest:**

**For more complete manuals. Please go to the home page.**

**<https://www.ebooklibonline.com>**

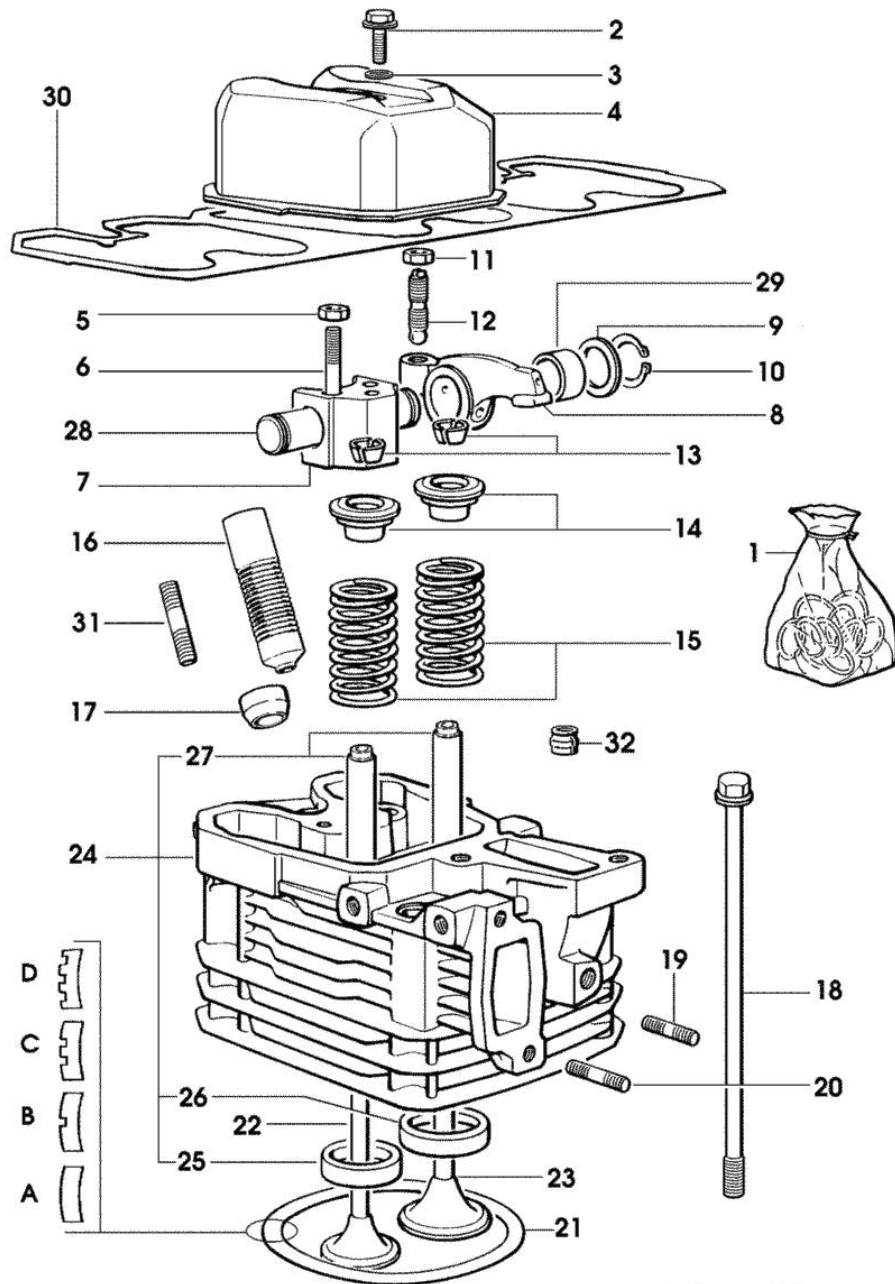
**If the above button click is invalid. Please download this document first, and then click the above link to download the complete manual.**

**Thank you so much for reading**

Section: ENGINE  
CYLINDER HEAD

Fig.	P/n	QTY	Name
------	-----	-----	------

			* (...)<=
			- N.3 - 007.1122.0/10
25	0.066.1427.0	3	valve seat
26	0.078.1426.0	3	valve seat
27	0.007.1779.0/10	6	valve guide
28	0.066.1431.0	3	pin
29	2.1559.021.0/40	6	bushing 15x19x22
30	0.069.1450.0/30	1	tappet gasket
31	2.0432.161.7	3	stud bolt m 10 p.1.5 / p.1.25 x 40
32	2.1519.117.0	6	special oil seal



2419\_51

Section: ENGINE  
LUBRICATION

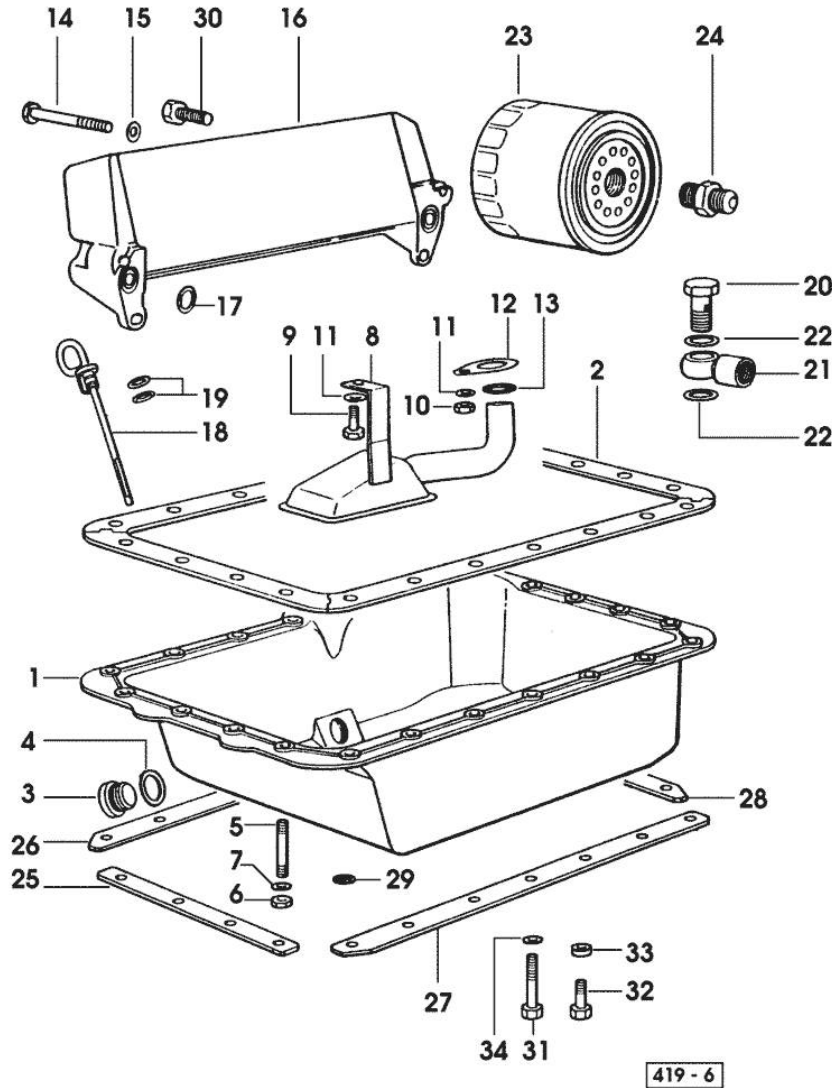


Fig.	P/n	QTY	Name
<b>Notes:</b>			
(...) <= X 60HP [H-362]			
1	0.070.1510.2/60	1	oil sump
2	0.070.1551.0	1	gasket
3	2.3199.001.2	1	plug 1/2" gas
4	2.1560.054.0	1	gasket 21 x 26
5	2.0432.003.7	22	stud bolt m 8 p.1.25 / p.1 x 20
6	2.1121.105.2	22	nut m 8 x 1
7	2.1470.004.2	22	lock washer 8
8	0.070.1531.3	1	tube
9	2.0112.205.2	1	screw m 8 p.1.25 x 16
10	2.1011.105.2	1	nut m 8 p.1.25
11	2.1470.004.2	2	lock washer 8
12	0.065.1538.0	1	flange
13	2.1539.040.0	1	special oil seal 21.82 x 3.53
14	2.0312.216.2	2	screw m 8 p.1.25x50
15	2.1310.004.2	4	flat washer 8.4x17
16	0.085.1540.3	1	oil cooler
17	2.1539.048.0	2	special oil seal 20.35x1.78
18	0.085.1513.2	1	dipstick mm 78
19	2.1539.065.0	2	special oil seal 8.73 x 1.78
20	2.3339.448.2	1	pipe union m 12 p.1.75
21	2.3249.014.2	1	pipe fitting m 12 p.1.5
22	2.1560.008.0	2	gasket 12.2 x 18
23	0.044.1567.0	1	oil filter element
24	2.3339.307.0	1	pipe fitting m 22 p.1.5-3/4"
25	0.070.1554.0	1	small plate
26	0.070.1552.0	1	small plate
27	0.070.1553.0	1	small plate
28	0.070.1555.0	1	small plate
29	2.1599.459.0	3	small plate
30	2.0399.125.2	2	screw
31	2.0112.205.2	21	screw m 8 p.1.25 x 16

419 - 6

**<https://www.ebooklibonline.com>**

Hello dear friend!

Thank you very much for reading.

Enter the link into your browser.

The full manual is available for immediate download.

**<https://www.ebooklibonline.com>**