

Section: ENGINE
CRANKCASE

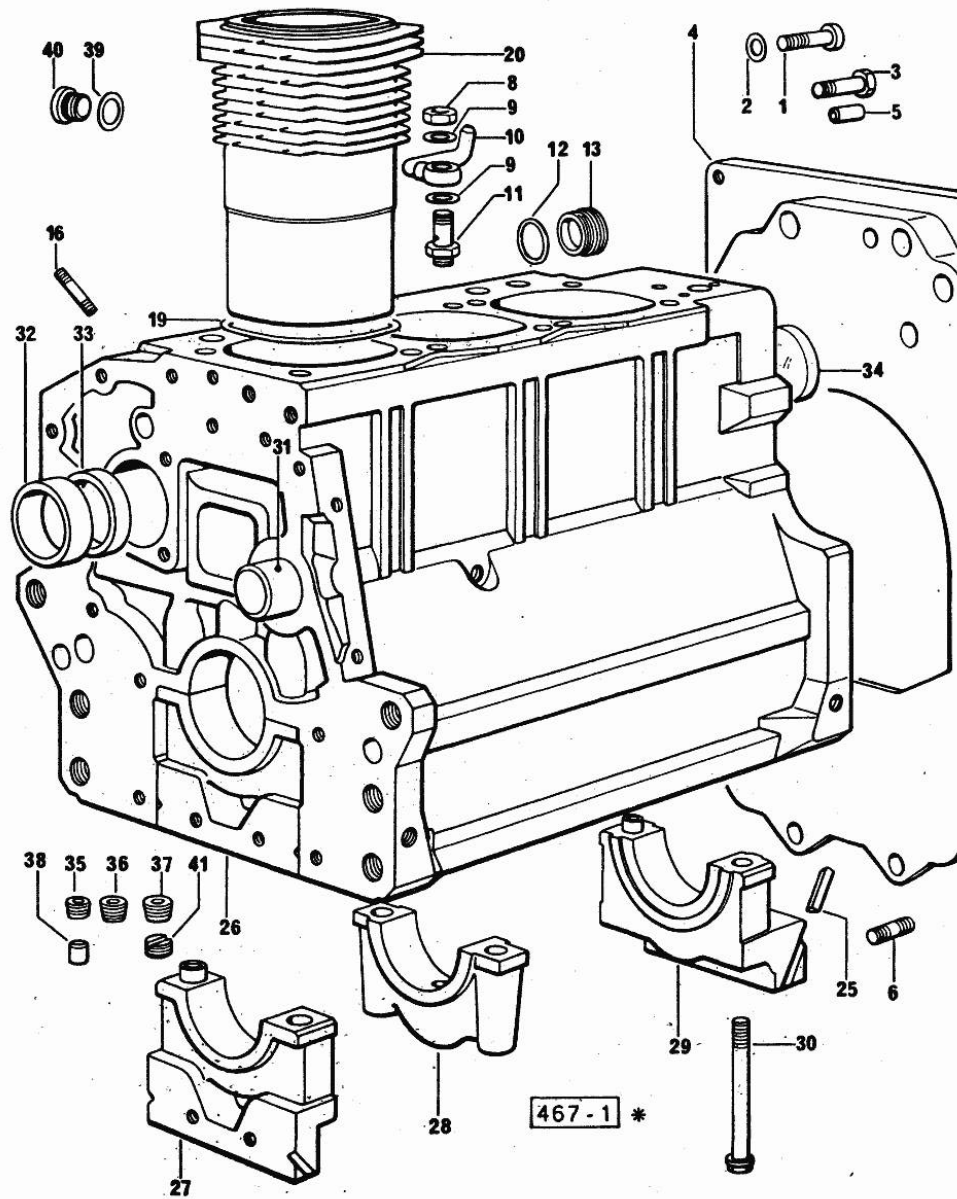


Fig.	P/n	QTY	Name
Notes:			
[H-361 V]			
0	0.085.0050.6	1	gasket set FOR ENGINE ASSEMBLY
1	2.0312.516.1	2	screw m 14 p.2x50
2	2.1480.018.1	2	washer 14
3	2.0112.511.1	8	screw m 14 p.2 x 30
4	0.330.1130.0	1	extension
5	2.1651.912.0	2	cylindrical plug 12x28
6	2.0432.255.1	2	stud bolt m 12 p.1.75 - 12 p1.25x25
8	2.1099.108.2	3	special nut m 10 p.1
9	2.1560.006.0	6	gasket 10.2 x 16
10	0.086.1550.2	3	sprayer nozzle
11	0.065.1160.3/20	3	valve
12	2.1539.047.0	1	special oil seal 26.7x1.78
13	2.3199.405.2	1	plug m 28 p.1.5
16	2.0439.154.1	9	old part number
19	2.1519.096.0/10	3	oil seal 107.67x1.78
20	0.085.1120.0/10	3	engine cylinder
25	0.066.1152.0/10	4	gasket
26	0.9.08599.41.1/1	1	-
27	0.065.1112.7	1	support
27	2.1699.165.0	1	bush 12.3x15x16
28	0.065.1114.7/10	2	support
29	0.065.1116.7	1	support
29	2.1699.165.0	1	bush 12.3x15x16
30	0.065.1117.0	8	screw m 12 x 100
31	0.066.1151.0/10	1	-
32	0.065.1141.0	1	special bushing 59X55X30
33	0.065.1140.0	3	special bushing 59X55X20
34	2.3179.012.0	1	plug 60
35	2.3130.001.1	11	plug 1/8" gas
36	2.3130.002.1	2	plug 1/4" gas
37	2.3130.003.1	7	plug 3/8" gas
38	2.3199.092.0	3	plug 8 x 12
39	2.1560.017.0	1	gasket 22.2 x 27
40	2.3120.002.4	1	plug m 22 x 1.5
41	2.1324.011.0	1	plug

Section: ENGINE

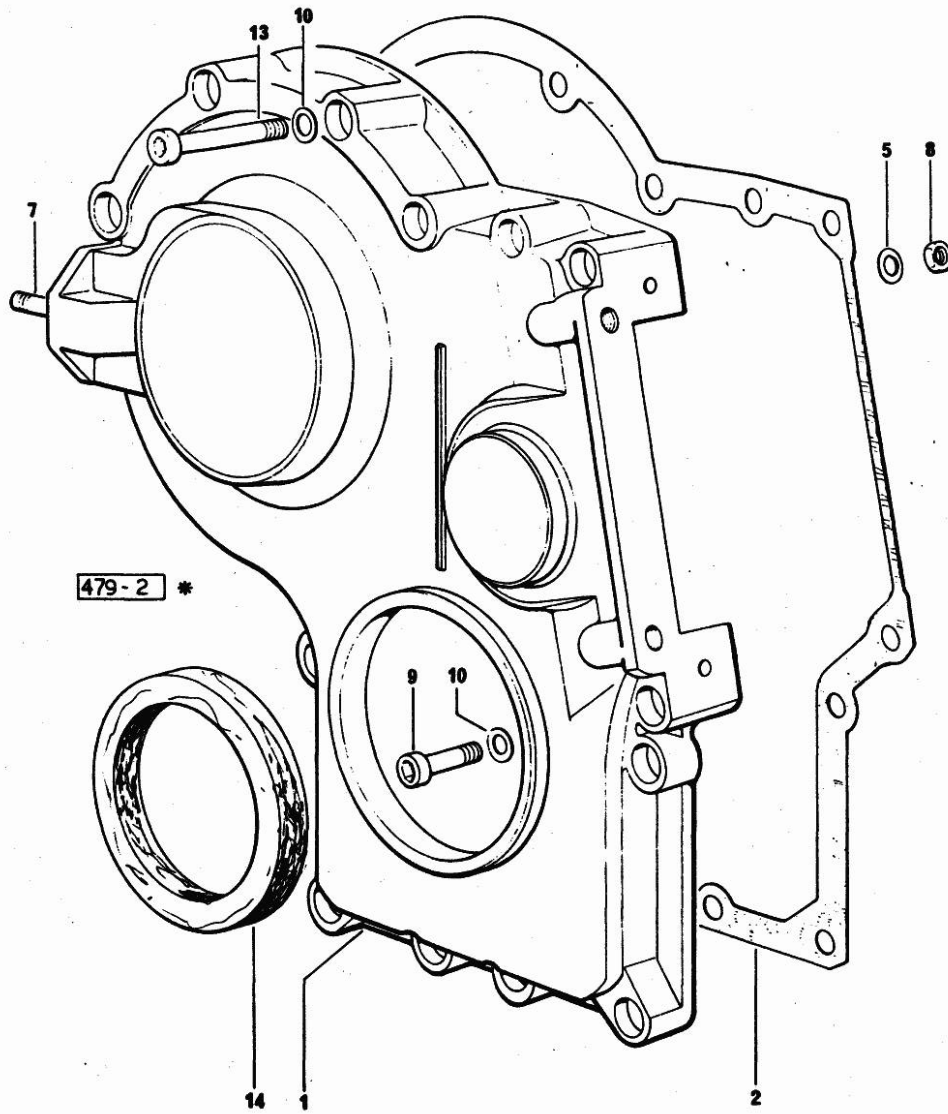
TIMING CASE

Fig.	P/n	QTY	Name
------	-----	-----	------

Notes:

[H-361 V]

1	0.065.1132.0/20	1	guard
2	0.065.1150.0/10	1	gasket
5	2.1470.004.2	4	lock washer 8
7	2.0432.003.7	2	stud bolt m 8 p.1.25 / p.1 x 20
8	2.1011.405.2	2	nut m 8 p.1
9	2.0312.208.1	8	screw m 8 p.1.25 x 25
10	2.1480.014.1	15	washer 8
13	2.0312.214.1	3	screw m 8 p.1.25 x 40
13	2.0312.219.2	4	screw m 8 p.1.25x65
14	2.1529.072.0	1	oil seal



Section: ENGINE
CRANKSHAFT

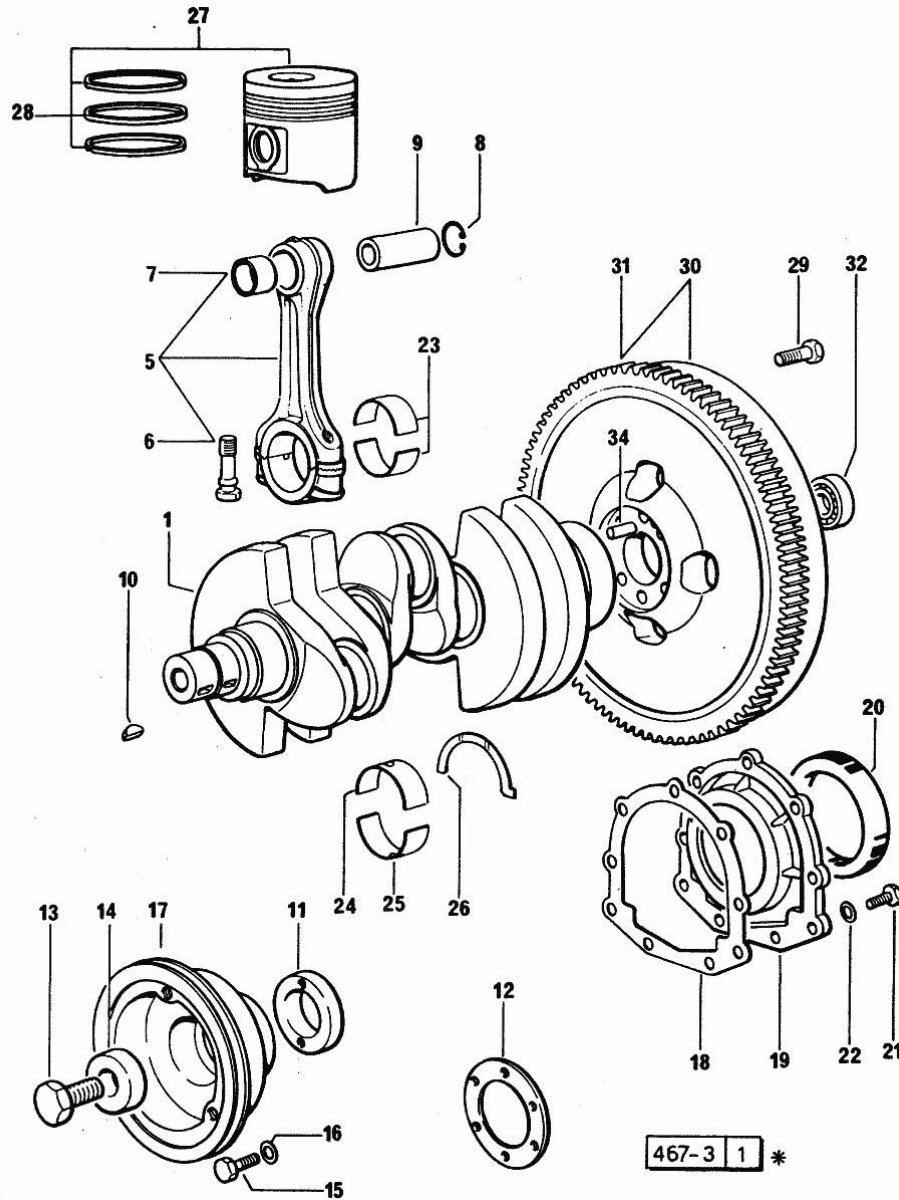


Fig.	P/n	QTY	Name
------	-----	-----	------

Notes:
 [H-361 V]

1	0.085.1210.3	1	crankshaft
5	0.078.1220.3/10	3	engine connecting rod - X 1000.4 W
6	2.0139.021.0	6	screw
7	2.1559.114.0/10	3	special bushing
8	2.1411.014.1	8	circlip 35
9	0.078.1236.0	3	piston pin Ø 18 / Ø 35 / L = mm 86
10	2.1720.006.0	2	key 4x6.5
11	0.065.1248.0/10	1	hub
11	0.085.1248.0	1	hub 5141 <= => 5142
12	2.1589.137.0	1	shoulder ring 71x110x1
13	2.0399.095.2/10	1	screw 5141 <= => 5142
13	2.0399.144.7	1	screw m 20 p.1.5x51 => 5142
14	2.1599.503.2	1	shoulder ring 5141 <= => 5142
14	2.1599.524.7	1	washer 21x60x12 => 5142
15	2.0112.317.2	6	screw m 10 p.1.5 x 45
16	2.1470.006.2	6	lock washer 10
17	0.065.1244.0	1	pulley 5141 <= => 5142
17	0.085.1244.0	1	pulley => 5142
18	0.065.1254.0	1	gasket
19	0.065.1253.0/10	1	cover
20	2.1529.073.0	1	special oil seal 110x130x13
21	2.0112.207.2	9	screw m 8 p 1.25 x 20
22	2.1474.009.2	9	spring washer 8
23	0.065.1225.0	6	con.rod half bushing STANDARD - A = 28.75 -> 29.00
23	0.065.1225.7		con.rod half bushing - mm 0.25
23	0.065.1225.8		con.rod half bushing - mm 0.50
24	0.065.1215.0	4	main half bushing STANDARD
24	0.065.1215.7		main half bushing - mm 0.25
24	0.065.1215.8		main half bushing - mm 0.50
25	0.065.1216.0	4	main half bushing
25	0.065.1216.7		main half bushing - mm 0.25
25	0.065.1216.8		main half bushing - mm 0.50
26	0.065.1218.0	3	shim STANDARD

<https://www.ebooklibonline.com>

Hello dear friend!

Thank you very much for reading.

Enter the link into your browser.

The full manual is available for immediate download.

<https://www.ebooklibonline.com>

CRANKSHAFT

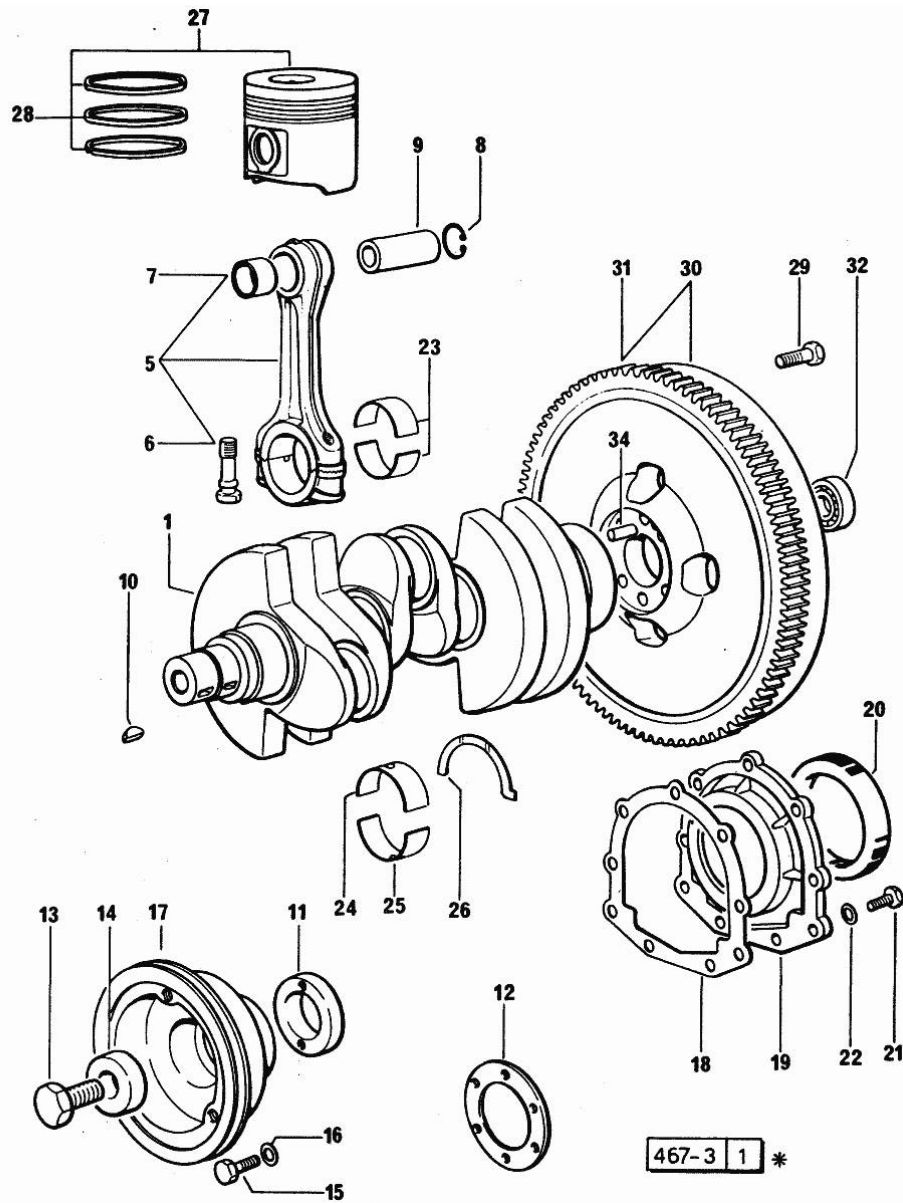


Fig.	P/n	QTY	Name
26	0.065.1218.7		shim + mm 0.10
26	0.065.1218.8		shim + mm 0.15
27	0.086.0060.6	3	complete piston
28	0.086.0052.6	3	piston ring set
29	0.330.1250.0	6	screw m 12 p.1.25x98
30	0.330.1247.3	1	flywheel
31	0.069.1242.0	1	crown wheel Z = 121
32	2.2041.008.0	1	ball bearing 20x47x14
34	2.1652.915.0	1	cylindrical plug 12x35

467-3 1 *

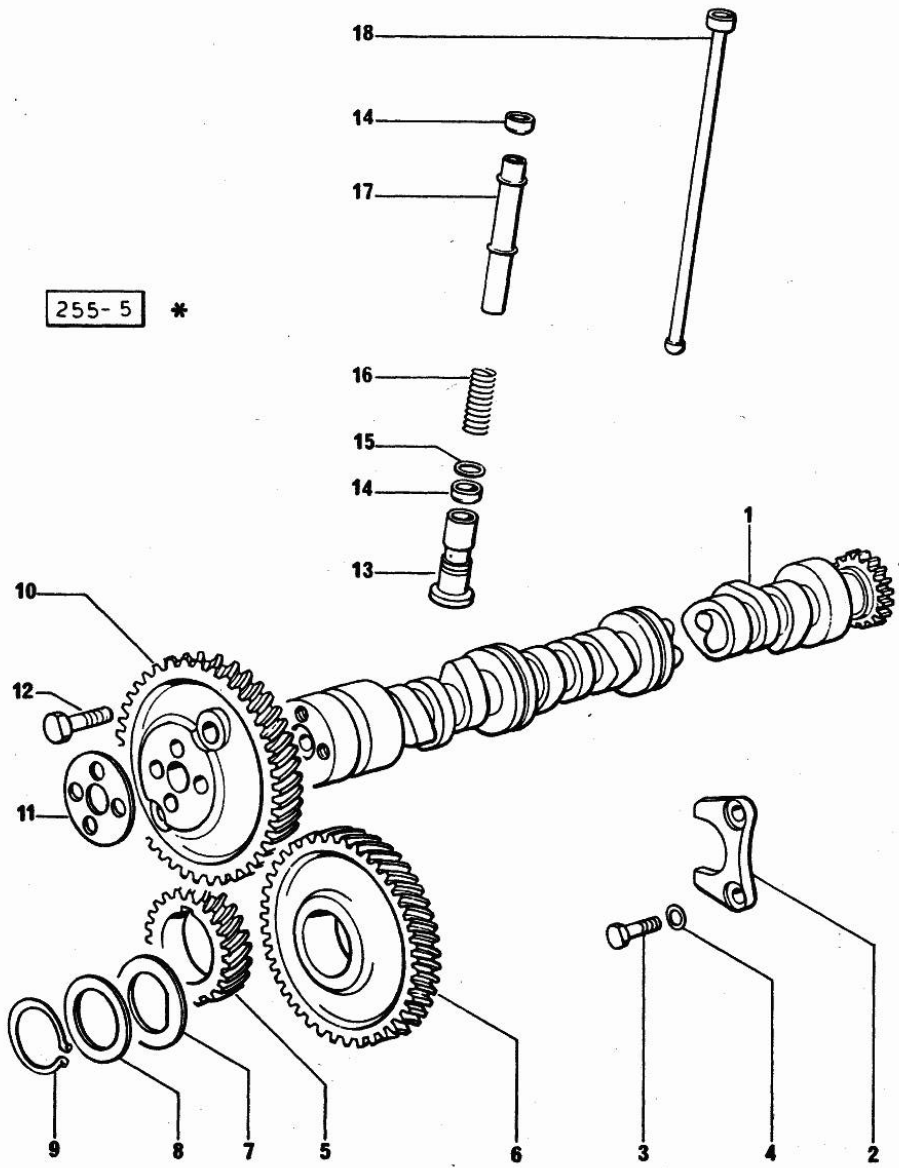
Section: ENGINE

CAMSHAFT

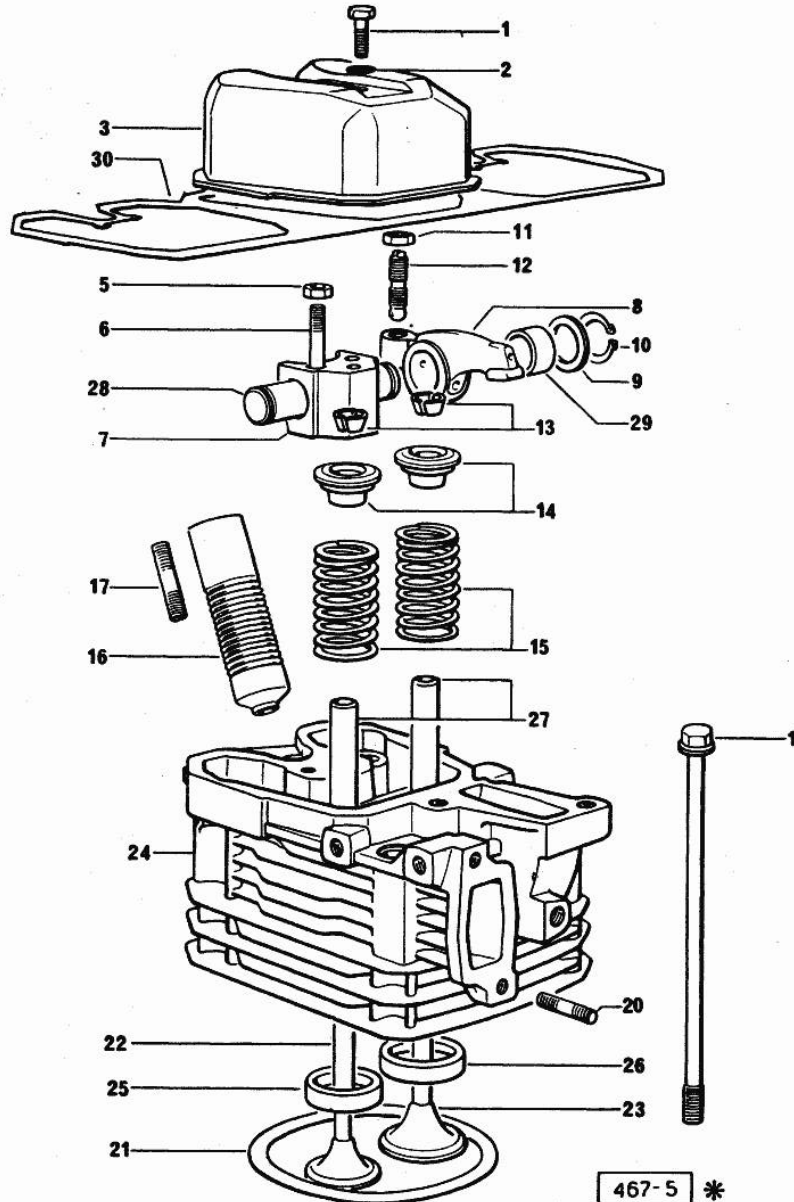
Fig.	P/n	QTY	Name
------	-----	-----	------

Notes:
[H-361 V]

1	0.065.1324.0/10	1	gear Z = 32
1	0.070.1310.3/30	1	camshaft
2	0.065.1353.0	1	small plate
3	2.0312.205.2	2	screw
4	2.1480.014.1	2	washer 8
5	065.1323.0/20	1	-
6	065.1325.3/20	1	-
6	2.1559.185.0/10	1	bushing
7	065.1351.0	2	-
8	0.065.1352.0	1	shim
9	2.1410.016.1	1	circlip 40
10	0.065.1354.0/10	1	gear z=58
11	0.065.1350.0	1	small disc
12	2.0132.207.2	4	screw m 10 p.1 x 25
13	0.065.1330.0	6	tappets
14	2.1569.114.0	12	gasket
15	2.1599.437.0	6	shoulder ring
16	2.4019.300.1	6	spring
17	0.065.1332.0	6	sleeve
18	0.065.1331.2	6	rod



Section: ENGINE
CYLINDER HEAD



467-5 *

Fig.	P/n	QTY	Name
0	0.085.0057.6	1	gasket set FOR GRINDING VALVES OF ONE CYLINDER AND PISTON RING RENEWAL
1	2.0112.211.2	3	screw m 8 p.1.25 x 30
2	2.1560.204.0	3	gasket
3	0.066.1440.0/10	3	small cap
5	2.1011.421.2	6	nut m 10 p.1.25
6	2.0432.163.1	6	stud bolt m 10 p.1.5 / p.1.25 x 45
7	0.066.1430.0	3	support
8	0.066.1432.0	6	rocker arm
9	2.1599.432.0	6	shoulder ring
10	2.1410.055.1	6	circlip 19
11	2.1011.405.2	6	nut m 8 p.1
12	0.021.1434.0	6	screw
13	0.074.1423.0	6	conical valve cotter
14	0.066.1425.0	6	cup
15	2.4019.287.0	6	spring
16	0.065.1413.0/10	3	bush L = mm 97.1
17	2.0432.161.7	3	stud bolt m 10 p.1.5 / p.1.25 x 40
18	0.065.1443.0/20	12	screw
20	2.0432.007.1	6	stud bolt m 8 p.1.25 / p.1 x 30
21	0.085.1450.0	3	head gasket mm 0.5 -A-
21	0.085.1451.0	3	head gasket mm 0.7 -B-
21	0.085.1452.0	3	head gasket mm 1.0 -C-
21	0.085.1453.0	3	head gasket mm 0.8 -D-
22	0.066.1421.0	3	exhaust valve
23	0.078.1420.0	3	inlet valve
24	0.081.1410.3/10	3	engine head
25	0.066.1427.0	3	valve seat
26	0.078.1426.0	3	valve seat
27	0.066.1416.0	6	valve guide
28	0.066.1431.0	3	pin
29	2.1559.021.0/40	6	bushing 15x19x22
30	0.069.1450.0/10	1	gasket

Section: ENGINE
LUBRICATION

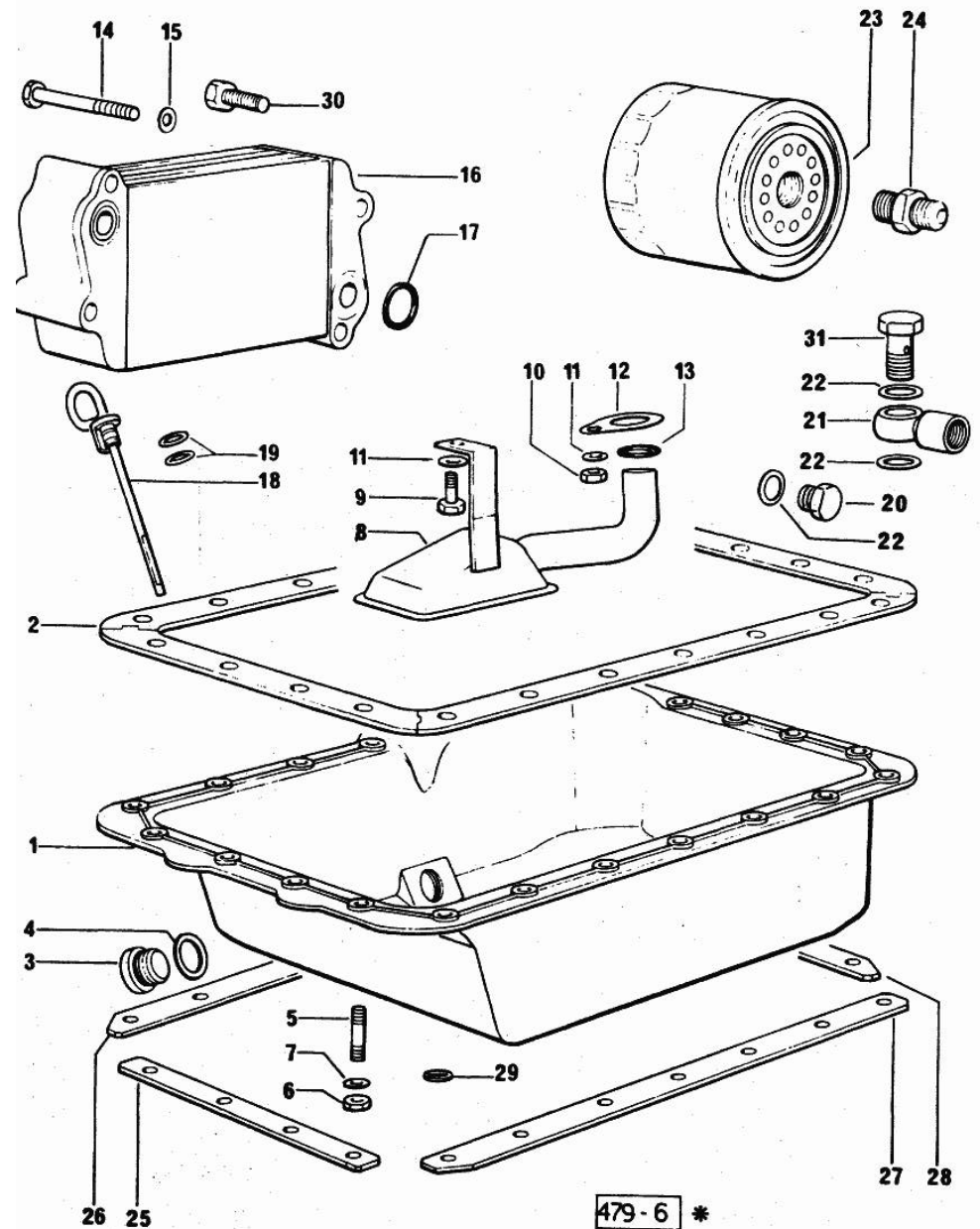


Fig.	P/n	QTY	Name
------	-----	-----	------

Notes:
[H-361 V]

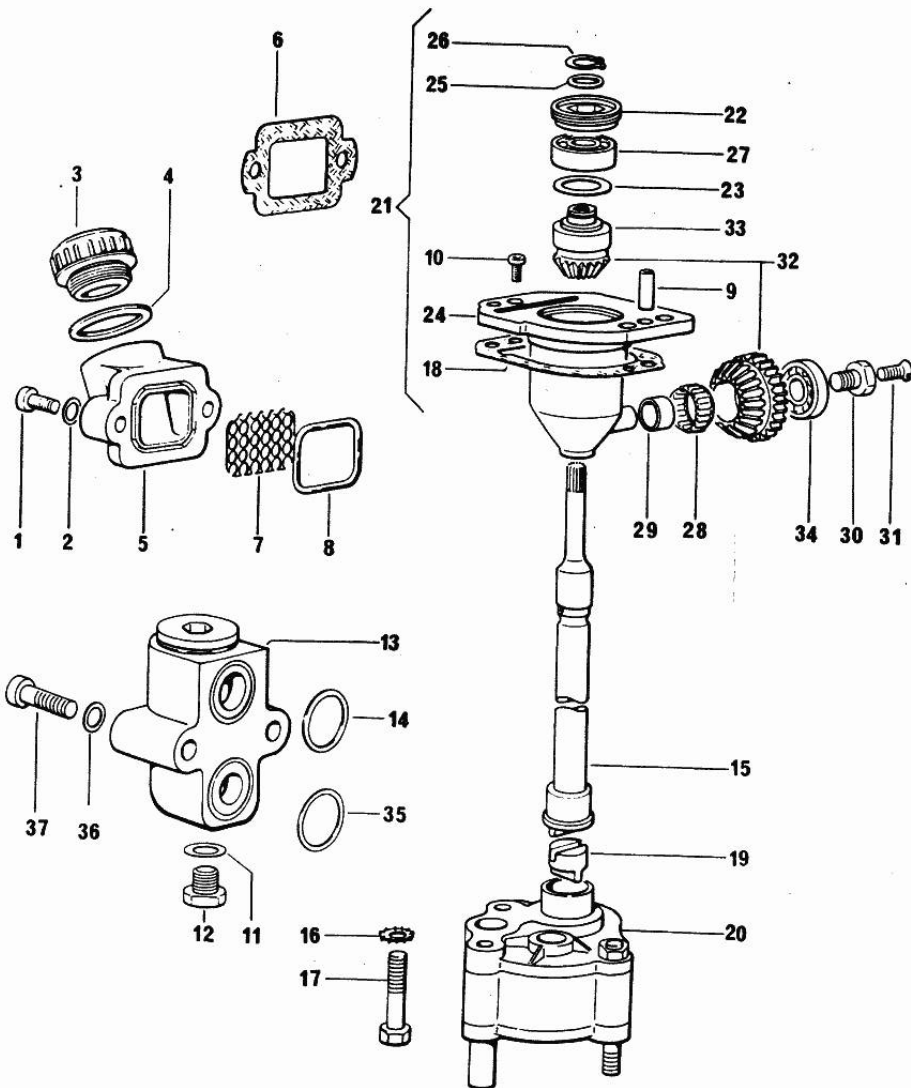
1	0.070.1510.2/20	1	oil sump
2	0.070.1551.0	1	gasket
3	2.3199.001.2	1	plug 1/2" gas
4	2.1560.054.0	1	gasket 21 x 26
5	2.0432.003.1	22	stud bolt m 8 p.1.25 / p.1 x 20
6	2.1121.105.2	22	nut m 8 x 1
7	2.1470.004.2	22	lock washer 8
8	0.070.1531.3	1	tube
9	2.0112.205.2	1	screw m 8 p.1.25 x 16
10	2.1011.105.2	1	nut m 8 p.1.25
11	2.1470.004.2	2	lock washer 8
12	0.065.1538.0	1	flange
13	2.1539.040.0	1	special oil seal 21.82 x 3.53
14	2.0312.216.1	2	screw
15	2.1310.004.2	4	flat washer 8.4x17
16	0.085.1540.3	1	oil cooler
17	2.1539.048.0	2	special oil seal 20.35x1.78
18	0.085.1513.2	1	dipstick mm 78
19	2.1539.065.0	2	special oil seal 8.73 x 1.78
20	2.3110.402.1	1	plug m 12 p.1.5x10
21	2.3249.014.2	1	pipe fitting m 12 p.1.5
22	2.1560.008.0	3	gasket 12.2 x 18
23	0.044.1554.0	1	grease cartridge
24	2.3339.307.1/20	1	pipe fitting
25	0.070.1554.0	1	small plate
26	0.070.1552.0	1	small plate
27	0.070.1553.0	1	small plate
28	0.070.1555.0	1	small plate
29	2.1599.459.0	3	small plate
30	2.0399.125.2	2	screw
31	2.3339.448.2	1	pipe union m 12 p.1.75

Section: ENGINE
LUBRICATION

Fig.	P/n	QTY	Name
------	-----	-----	------

Notes:
[H-361 V]

1	2.0312.205.2	2	screw
2	2.1480.014.1	2	washer 8
3	0.041.1135.4	1	plug 1" gas
4	2.1569.072.0	1	gasket 32 x 39.5 x 2
5	0.065.1565.0/10	1	pipe union
6	0.065.1566.0	1	gasket
7	0.065.1567.0/10	1	filter
8	2.1539.042.0	1	special oil seal 47.35x1.78
9	2.1652.711.0	2	cylindrical plug 8x25
10	2.0169.005.2/10	2	-
11	2.1560.009.0	1	gasket 14.2x18
12	2.3110.403.1	1	plug m 14 p.1.5x12
13	0.065.1581.4/10	1	valve
14	2.1539.048.0	1	special oil seal 20.35x1.78
15	0.065.1569.0/10	1	shaft
16	2.1470.006.2	2	lock washer 10
17	2.0112.323.2	2	screw m 10 p.1.5x70
18	0.065.1560.0/20	2	gasket
19	0.065.1562.0/10	1	joint
20	0.066.1520.6/10	1	oil pump
21	9.07599.43.3	1	old part number
22	2.1219.025.2/10	1	ring nut m 36 p.1.5
23	2.1589.148.0	1	shoulder ring 28.2 x 31.8 x 0.5
23	2.1589.150.0	1	shoulder ring 28.2 x 31.8 x 0.1
23	2.1589.151.0	1	shoulder ring 28.2 x 31.8 x 0.15
24	0.075.1551.3/30	1	support
25	2.1589.146.0	1	shoulder ring 15.2 x 19 x 0.15
25	2.1589.147.0	1	shoulder ring 15.2 x 19 x 0.10
25	2.1589.153.0	1	shoulder ring 15.2 x 19 x 1.00
26	2.1410.057.1	1	circlip 15
27	2.2020.001.0	1	ball bearing 15 x 32 x 8.00
28	2.2725.016.0	1	roller cage 15 x 21 x 12
29	2.2680.020.0	1	ring 12 x 15 x 12
30	2.0399.128.2/10	1	screw m 8 p.1 x 8
31	2.0342.007.2	1	screw m 4 p.0.7x25
32	0.065.1558.6/20	1	-
33	0.065.1559.0	1	bush
34	2.2030.002.0	1	ball bearing 12 x 28 x 8
35	2.1539.075.0	1	special oil seal 25.12x1.78
36	2.1480.014.1	2	washer 8
37	2.0312.215.1	2	screw m 8 p.1.25 x 45



479-7 1 *

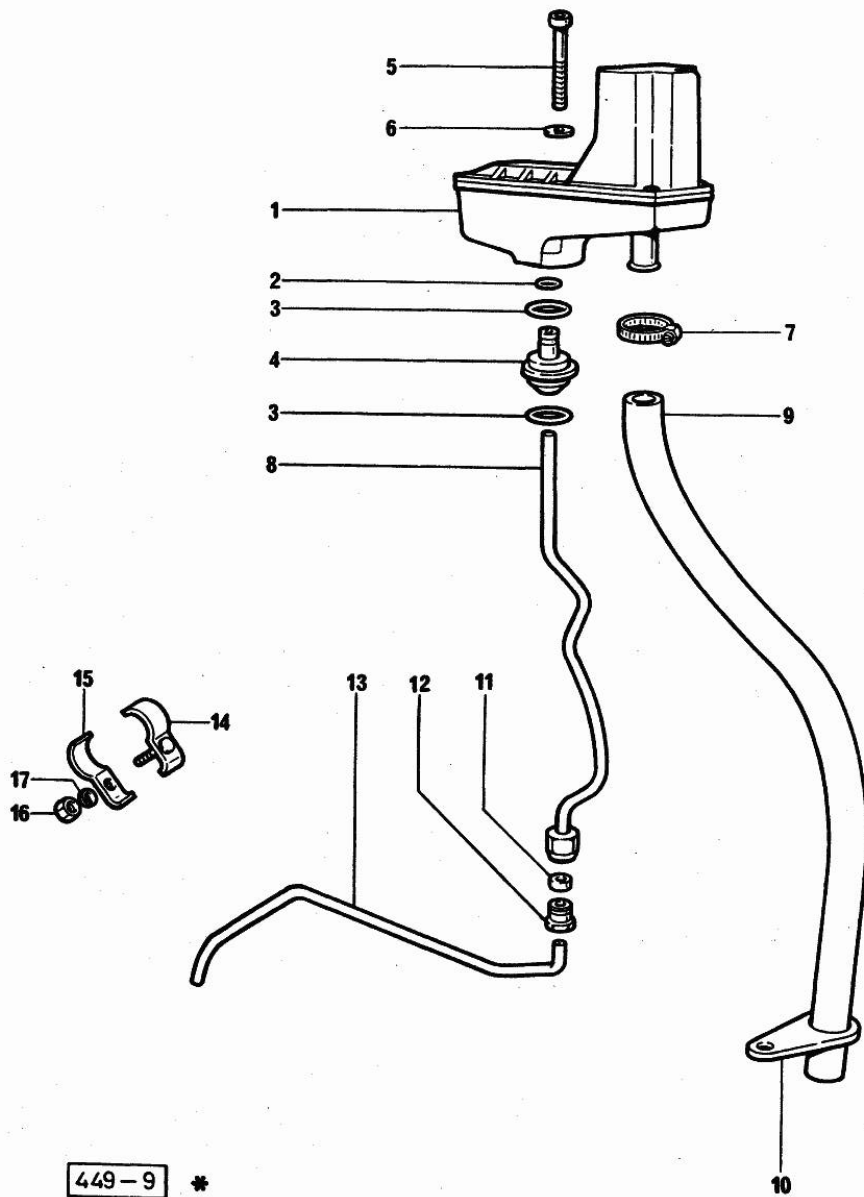


Section: ENGINE
LUBRICATION

Fig.	P/n	QTY	Name
------	-----	-----	------

Notes:
 [H-361 V]

1	0.000.0000.1	1	cannot be supplied
2	2.1539.074.0	1	special oil seal 7.66 x 1.78
3	2.1539.072.0	2	special oil seal 23.52 x 1.78
4	0.066.1558.0	1	bush
5	2.0312.221.2	2	screw m 8 p.1.25x75
6	2.1480.014.1	2	washer 8
7	2.6859.073.2	1	clamp
8	0.066.1557.2	1	tube
9	0.066.1559.0	1	tube
10	0.075.1151.0	1	bracket
11	2.3350.003.1	1	nosepiece 8
12	2.3339.418.1	1	pipe fitting m 12 p.1
13	0.069.1550.0	1	tube
14	0.075.1552.2	2	bracket
15	0.075.1552.0	2	bracket
16	2.1011.103.2	2	nut m 6 p.1
17	2.1470.002.2	2	lock washer 6



449-9 *



Suggest:

For more complete manuals. Please go to the home page.

<https://www.ebooklibonline.com>

If the above button click is invalid. Please download this document first, and then click the above link to download the complete manual.

Thank you so much for reading

Section: ENGINE

OIL VAPORS SEDIMENT BOWL PARTS

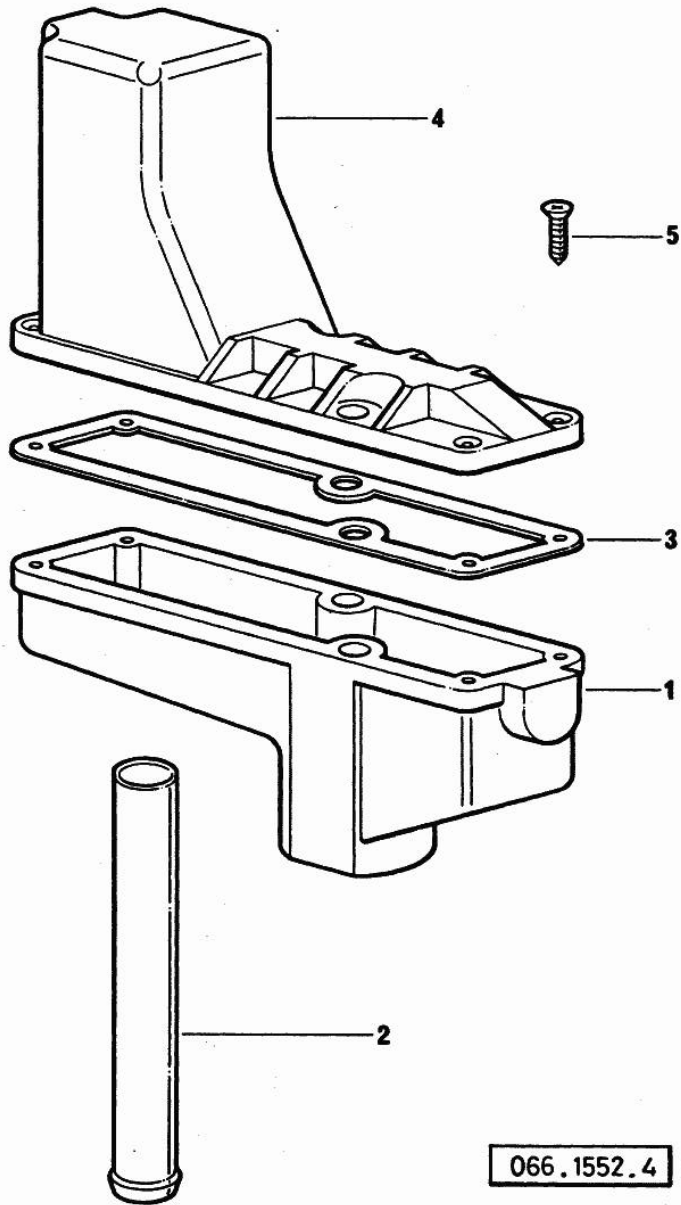


Fig.	P/n	QTY	Name
------	-----	-----	------

Notes:
[H-361 V]

1	0.066.1552.0	1	sediment bowl
2	0.066.1555.0	1	tube
3	0.066.1554.0	1	gasket
4	0.066.1553.0	1	cover
5	2.0351.203.2	4	screw 3.5x9.5

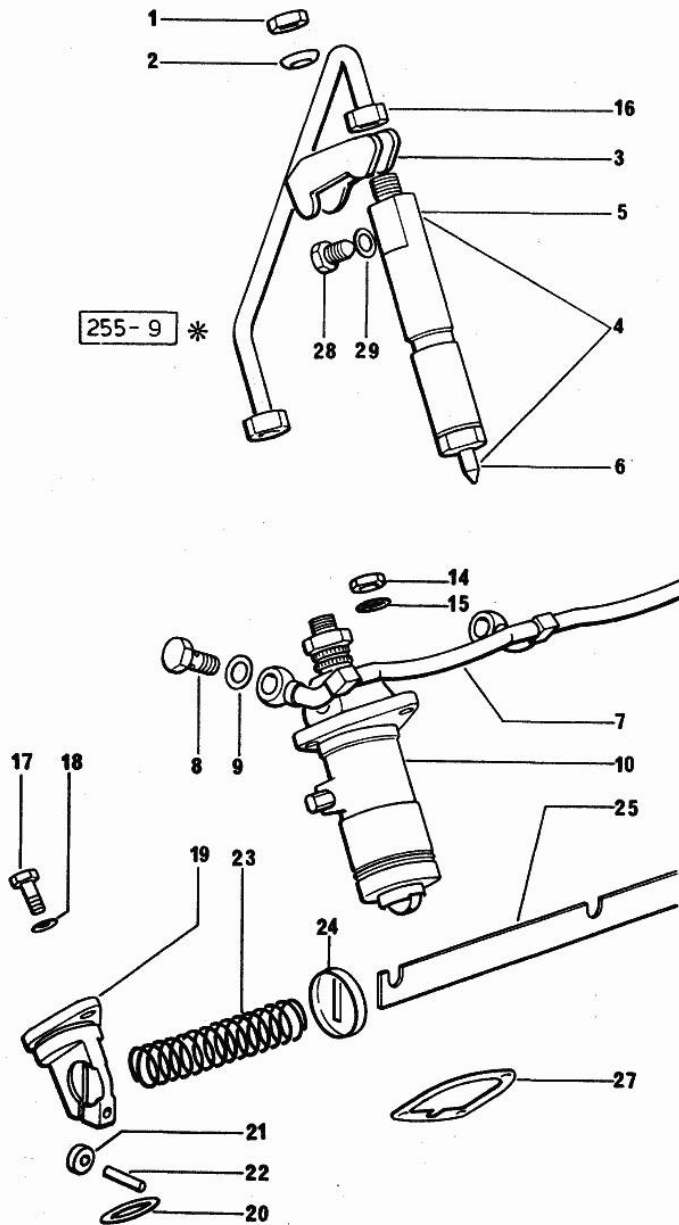
066.1552.4 *

Section: ENGINE
FUEL SUPPLY SYSTEM

Fig.	P/n	QTY	Name
------	-----	-----	------

Notes:
 [H-361 V]

1	2.1011.421.2	3	nut m 10 p.1.25
2	2.1599.454.0	3	shoulder ring 10.5x17x7.5
3	0.066.1666.0	3	bracket
4	2.4719.200.0/10	3	injector assembly BOSCH
4	2.4719.260.0	2	injector assembly OMAP
5	2.4719.190.0	3	nozzle holder BOSCH
			☞ 2.4719.190.0
			☞ 01.00.17
5	2.4719.270.0	3	inj. holder OMAP
			☞ 2.4719.270.0
			☞ 01.00.18
6	2.4729.100.0	3	nozzle BOSCH
6	2.4729.130.0	3	nozzle OMAP
7	0.069.1658.3/20	1	tube
8	2.3339.001.0	3	pipe fitting m 10 p.1
9	2.1560.005.0	6	copper gasket 10.2 x 14
10	2.4619.031.0	1	injector pump "A"
			☞ 2.4619.031.0
			☞ 01.00.15
10	2.4619.031.1	1	injector pump "B"
			☞ 2.4619.031.1
			☞ 01.00.15
10	2.4619.031.2	1	injector pump "C"
			☞ 2.4619.031.2
			☞ 01.00.15
10	2.4619.031.3	1	injector pump "D"
			☞ 2.4619.031.3
			☞ 01.00.15
10	2.4619.041.0	1	injector pump "A" OMAP
			☞ 2.4619.041.0
			☞ 01.00.16
10	2.4619.041.1	1	injector pump "B" OMAP
			☞ 2.4619.041.1
			☞ 01.00.16
10	2.4619.041.2	1	injector pump "C" OMAP
			☞ 2.4619.041.2
			☞ 01.00.16
10	2.4619.041.3	1	injector pump "D" OMAP
			☞ 2.4619.041.3
			☞ 01.00.16
10	2.4619.041.4	1	injector pump "E" OMAP



<https://www.ebooklibonline.com>

Hello dear friend!

Thank you very much for reading.

Enter the link into your browser.

The full manual is available for immediate download.

<https://www.ebooklibonline.com>