

Section: ENGINE

## CRANKCASE

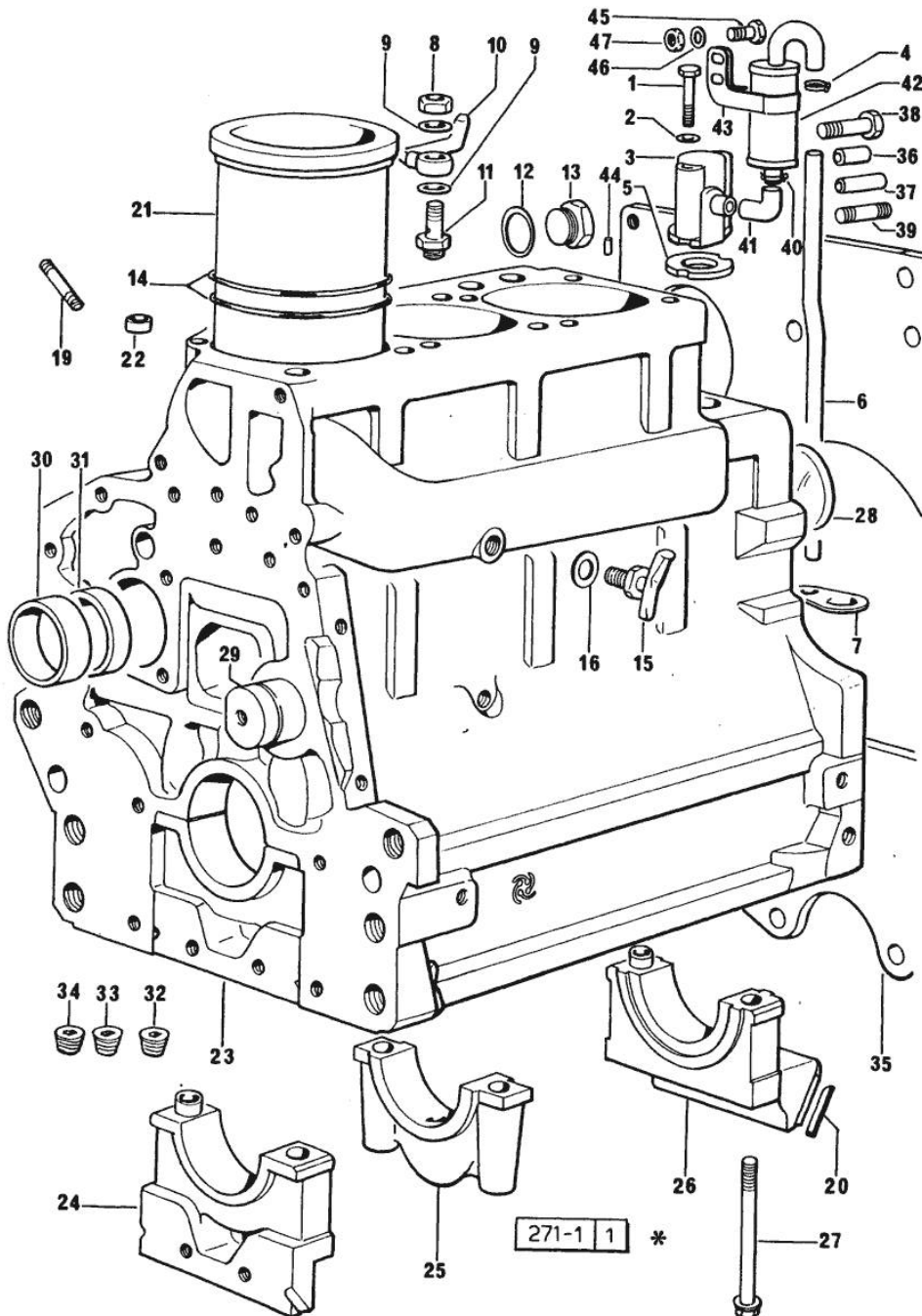


Fig.	P/n	QTY	Name
<b>Notes:</b>			
[H 356]			
0	0.070.0050.6	1	gasket set FOR INSTALLATION OF ENGINE 916.3 W
0	0.085.0050.6	1	gasket set FOR INSTALLATION OF 1000.3 W ENGINE
1	2.0312.219.2	2	screw m 8 p.1.25x65
2	2.1470.004.2	2	lock washer 8
3	0.065.1143.3	1	body 1110<-
3	0.065.1143.3/10	1	body ->1111 - (...)<-
4	2.6850.006.0	2	clamp 18-28 1110<-
4	2.6859.072.0	1	- ->1111 - (...)<-
5	0.065.1156.0	2	gasket
6	0.065.1155.0	1	old part number 1110<-
6	0.065.1155.0/10	1	tube ->1111 - (...)<-
7	0.065.1157.0	1	bracket
8	2.1099.108.2	3	special nut m 10 p.1
9	2.1560.006.0	6	gasket 10.2 x 16
10	0.086.1550.2	3	sprayer nozzle X 1000.3 W
11	0.065.1160.3/10	3	old part number
12	2.1539.047.0	1	special oil seal 26.7x1.78
13	2.3199.405.2	1	plug m 28 p.1.5
14	2.1519.096.0/10	6	oil seal 107.67x1.78
15	0.049.1152.0	1	cock
16	2.1560.009.0	1	gasket 14.2x18
19	2.0432.003.7	9	stud bolt m 8 p.1.25 / p.1 x 20
20	0.066.1152.0/10	4	gasket
21	0.066.1120.0/10	3	engine cylinder X 916.3 W
21	0.088.1120.0/10	3	engine cylinder X 1000.3 W
22	2.1559.188.0/10	3	bush
23	9.07099.43.3	1	crankcase
24	0.065.1112.7	1	support
24	2.1699.165.0	1	bush 12.3x15x16
25	0.065.1114.7	2	support

Section: ENGINE  
CRANKCASE

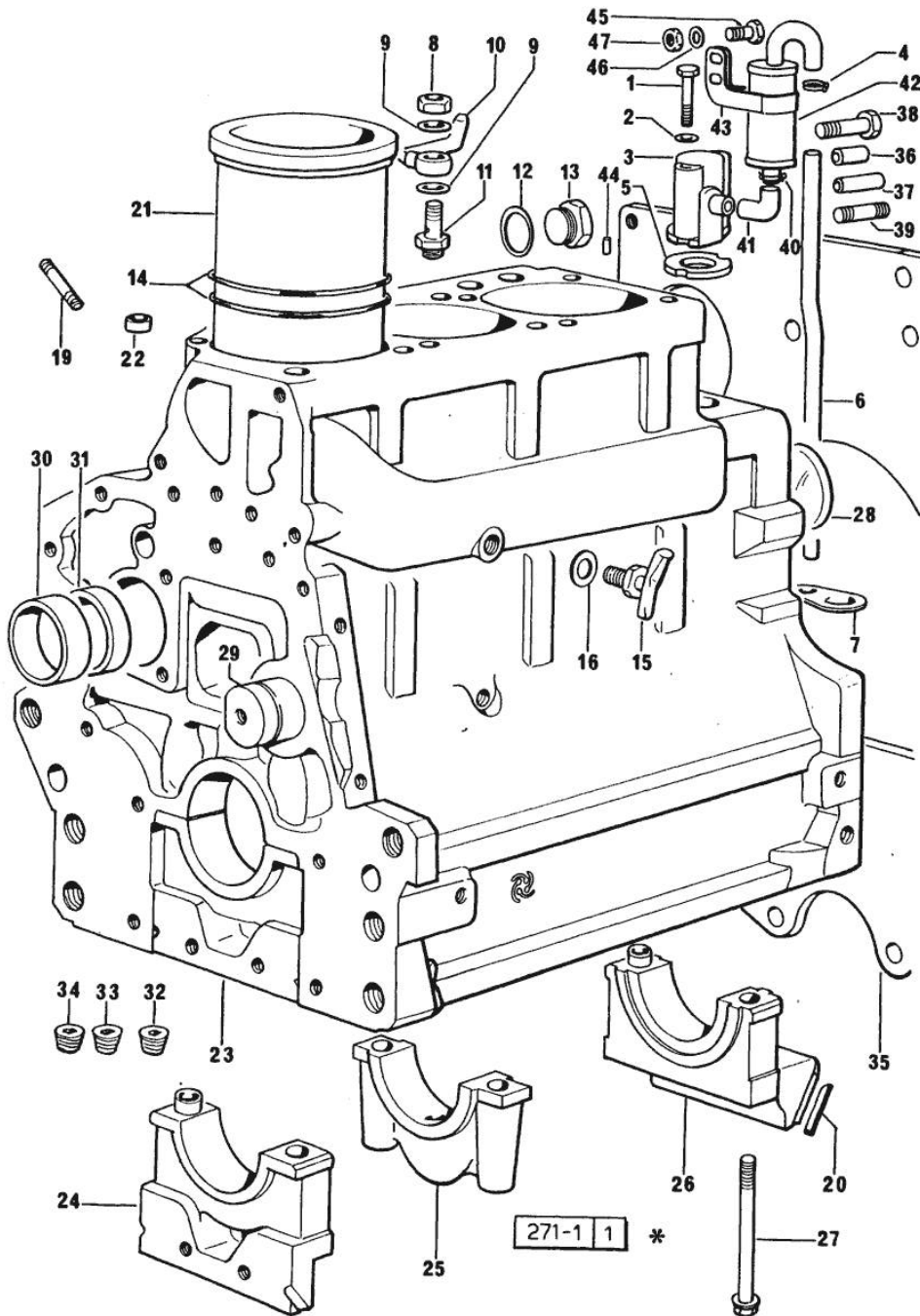


Fig.	P/n	QTY	Name
26	0.065.1116.7	1	support
26	2.1699.165.0	1	bush 12.3x15x16
27	0.065.1117.0	8	screw m 12 x 100
28	2.3179.012.0	1	plug 60
29	0.066.1151.0	1	pin
30	0.065.1141.0	1	special bushing 59X55X30
31	0.065.1140.0	3	special bushing 59X55X20
32	2.3130.001.1	10	plug 1/8" gas
33	2.3130.002.1	2	plug 1/4" gas
34	2.3130.003.1	2	plug 3/8" gas
35	0.066.1130.0	1	flange 1263<=
35	0.066.1130.0/20	1	flange =>1264
36	2.1651.912.0	2	cylindrical plug 12x28
37	2.1651.917.0	2	cylindrical plug 12x40
38	2.0112.511.1	8	screw m 14 p.2 x 30
39	2.0432.255.7	2	stud bolt m 12 p.1.75-1.25x25
40	2.6859.073.2	2	clamp ->1111 - (...)<-
41	0.065.1166.0	1	sleeve ->1111 - (...)<-
42	0.065.1165.2	1	sediment bowl ->1111 - (...)<-
43	2.6859.074.2/10	1	clamp
44	2.1631.205.0	3	roll pin
45	2.0112.004.2	1	screw m 6 p.1 x 14
46	2.1470.002.2	1	lock washer 6
47	2.1011.103.2	1	nut m 6 p.1

Section: ENGINE

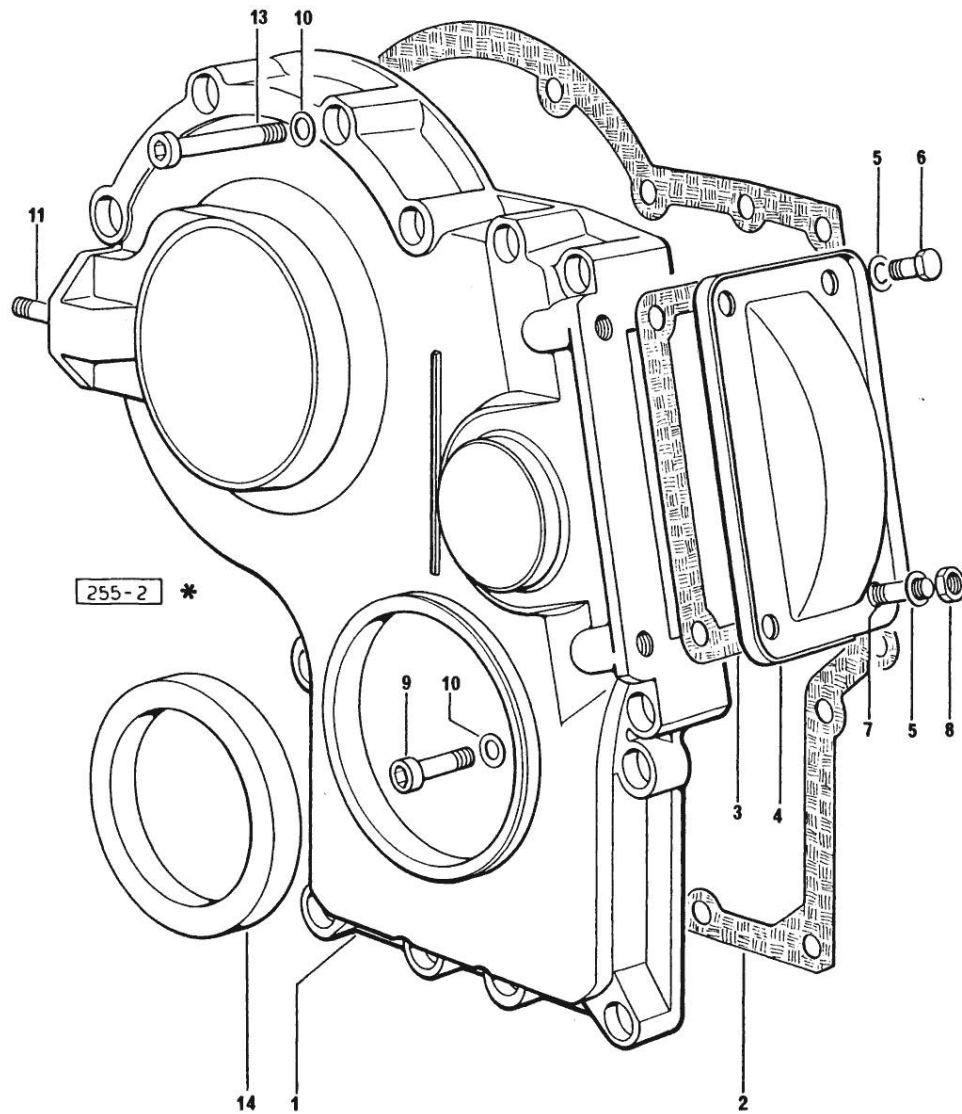
**TIMING CASE**Notes:  
[H 356]

Fig.	P/n	QTY	Name
1	0.065.1132.0/20	1	guard
2	0.065.1150.0/10	1	gasket
3	0.065.1152.0	1	gasket
4	0.065.1151.0	1	cover
5	2.1470.004.2	4	lock washer 8
6	2.0112.205.2	2	screw m 8 p.1.25 x 16
7	2.0432.003.7	2	stud bolt m 8 p.1.25 / p.1 x 20
8	2.1011.405.2	2	nut m 8 p.1
9	2.0312.208.1	8	screw m 8 p.1.25 x 25
10	2.1480.014.1	15	washer 8
11	2.0432.003.7	2	stud bolt m 8 p.1.25 / p.1 x 20
13	2.0312.214.1	7	screw m 8 p.1.25 x 40
14	2.1529.072.0	1	oil seal

**<https://www.ebooklibonline.com>**

Hello dear friend!

Thank you very much for reading.

Enter the link into your browser.

The full manual is available for immediate download.

**<https://www.ebooklibonline.com>**

Section: ENGINE

**CRANKSHAFT**

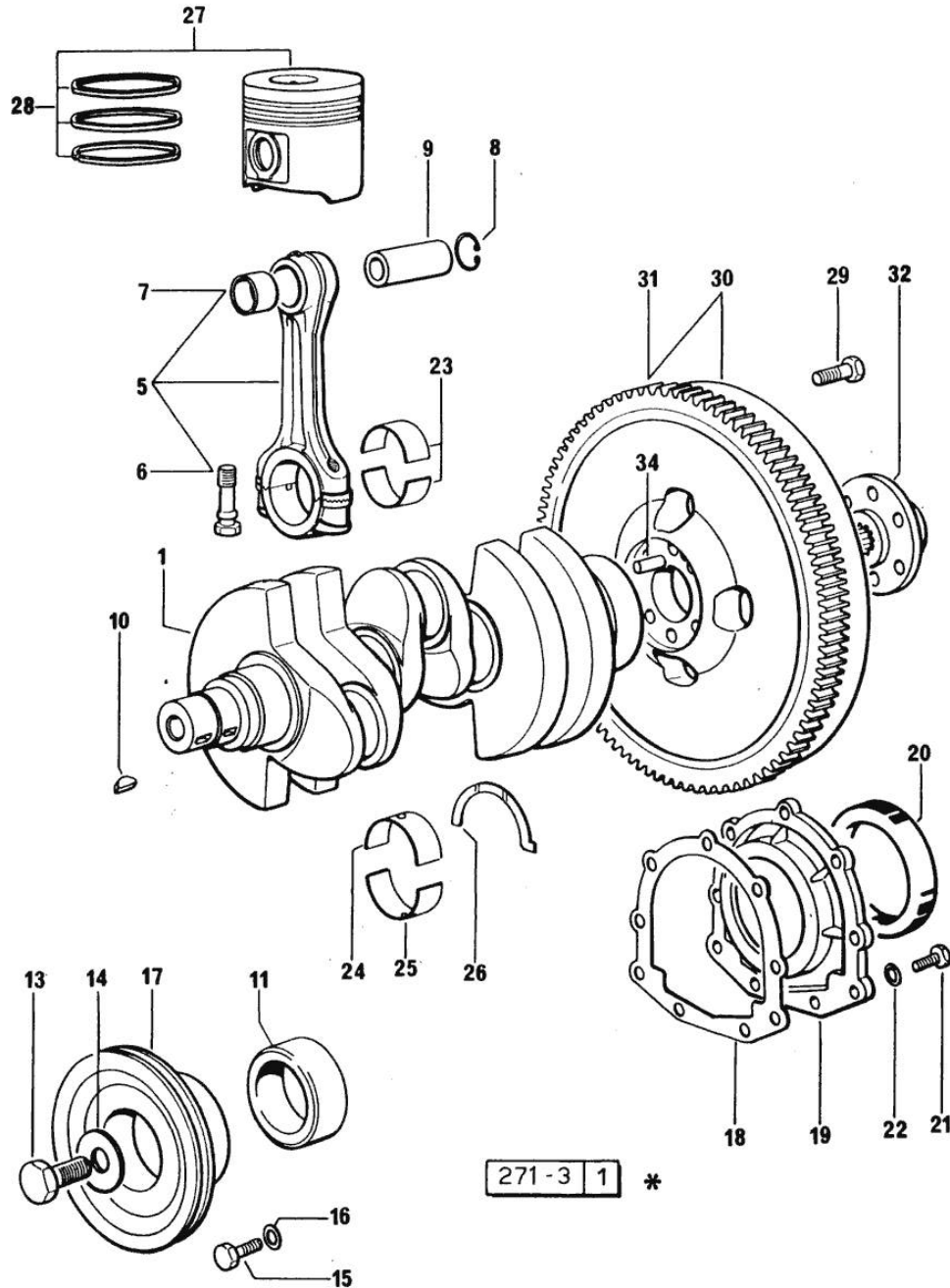
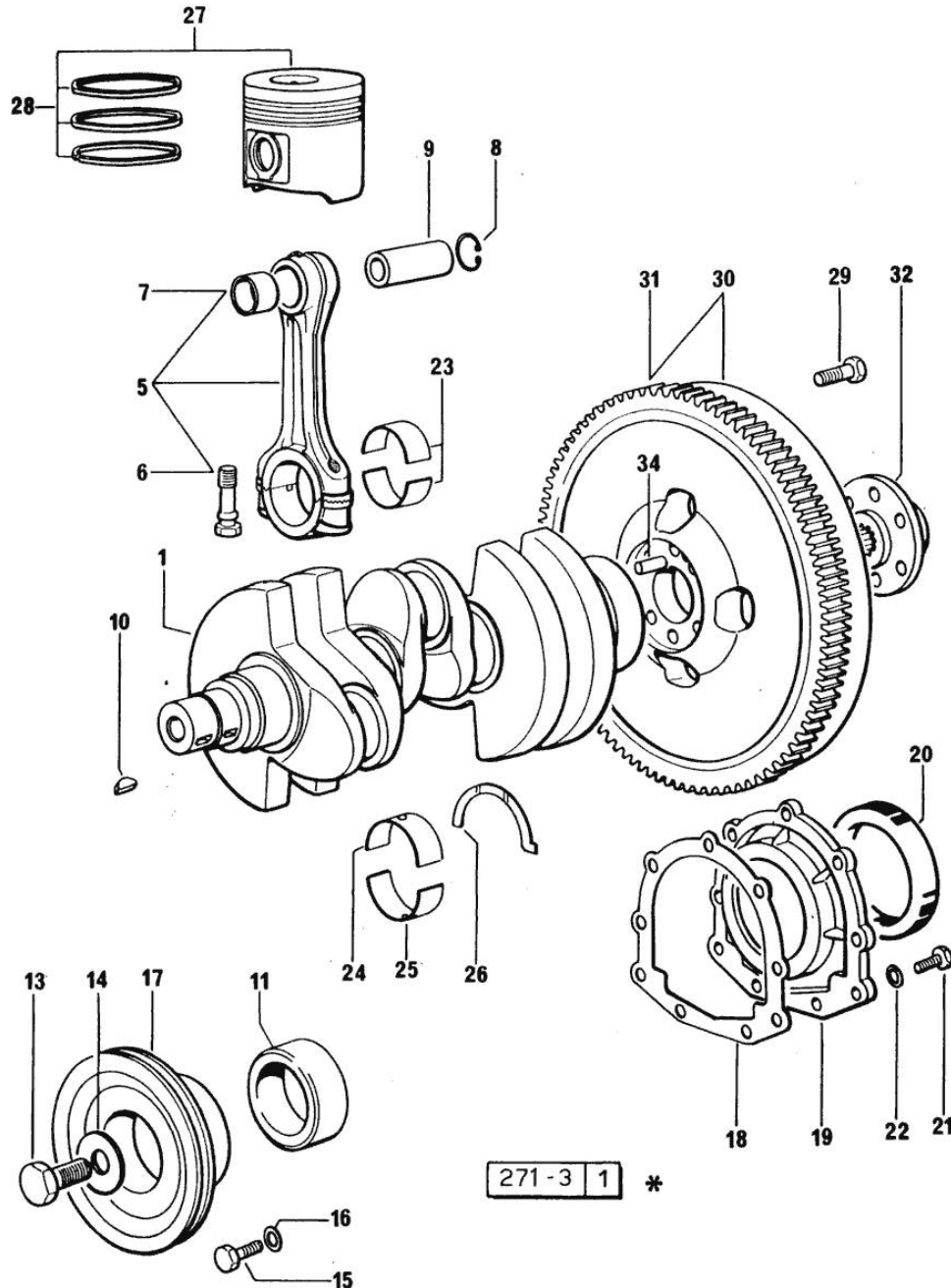


Fig.	P/n	QTY	Name
<b>Notes:</b>			
[H 356]			
1	0.069.1210.3	1	crankshaft X 916.3 W
1	0.085.1210.3/20	1	crankshaft X 1000.3 W
5	0.065.1220.3/10	3	engine connecting rod X 916.3 W
5	0.078.1220.3/10	3	engine connecting rod - X 1000.4 W X 1000.3 W
6	2.0139.021.0	6	screw
7	0.065.1227.0	3	special bushing
7	2.1559.114.0/10	3	special bushing X 1000.3 W
8	2.1411.013.1	8	circlip 32 X 916.3 W
8	2.1411.014.1	8	circlip 35 X 1000.3 W
9	0.065.1236.0	3	piston pin X 916.3 W
9	0.078.1236.0	3	piston pin Ø 18 / Ø 35 / L = mm 86 X 1000.3 W
10	2.1720.006.0	2	key 4x6.5
11	0.065.1248.0/10	1	hub (...)<=
11	0.085.1248.0	1	hub =>(…)
13	2.0399.095.2/10	1	screw (...)<=
13	2.0399.144.7	1	screw m 20 p.1.5x51 =>(…)
14	2.1599.503.2	1	shoulder ring (...)<=
14	2.1599.524.7	1	washer 21x60x12 =>(…)
15	2.0112.320.2	6	screw m 10 p.1.5 x 55
15	2.0112.322.2	6	screw m 10 p.1.5x65
16	2.1470.006.2	6	lock washer 10
17	0.066.1244.0/10	1	pulley =>(…)- (...)<=
17	0.070.1244.0	1	pulley 1343<=
17	0.070.1244.0/10	1	pulley

Section: ENGINE

**CRANKSHAFT**



271-3 1 \*

Fig.	P/n	QTY	Name
			=>1344 - (...)<=
17	0.075.1252.0	1	pulley 70x188x77,7 - FOR MODELS WITH UNDER ROOF AIR CONDITIONING
17	0.089.1244.0	1	pulley =>(…)
18	0.065.1254.0	1	gasket
19	0.065.1253.0/10	1	cover
20	2.1529.073.0	1	special oil seal 110x130x13
21	2.0112.207.2	9	screw m 8 p 1.25 x 20
22	2.1470.009.2	9	lock washer 16
23	0.065.1225.0	6	con.rod half bushing STANDARD - A = 28.75 -> 29.00
23	0.065.1225.7	6	con.rod half bushing - mm 0.25
23	0.065.1225.8	6	con.rod half bushing - mm 0.50
24	0.065.1215.0	4	main half bushing STANDARD
24	0.065.1215.7	4	main half bushing - mm 0.25
24	0.065.1215.8	4	main half bushing - mm 0.50
25	0.065.1216.0	4	main half bushing
25	0.065.1216.7	4	main half bushing - mm 0.25
25	0.065.1216.8	4	main half bushing - mm 0.50
26	0.065.1218.0	4	shim STANDARD
26	0.065.1218.7	4	shim + mm 0.10
26	0.065.1218.8	4	shim + mm 0.15
27	0.066.0060.6	3	complete piston X 916.3 W
27	0.085.0060.6	3	complete piston X 1000.3 W
28	0.069.0052.6	3	piston ring set X 916.3 W
28	0.086.0052.6	3	piston ring set X 1000.3 W
29	2.0139.022.2	6	screw m 12 p.1.25x55
30	0.065.1247.3	1	flywheel =>(…)- 338<=
			ORDER ALSO: 1x 0.255.2320.3/10 - 6x 2.0112.207.2 - 6x 2.1474.009.1 - 3x 2.1699.173.0
31	0.065.1242.0	1	crown wheel Z = 123
32	0.255.2525.0/10	1	flange
34	2.1652.915.0	1	cylindrical plug 12x35

Section: ENGINE

**CAMSHAFT**

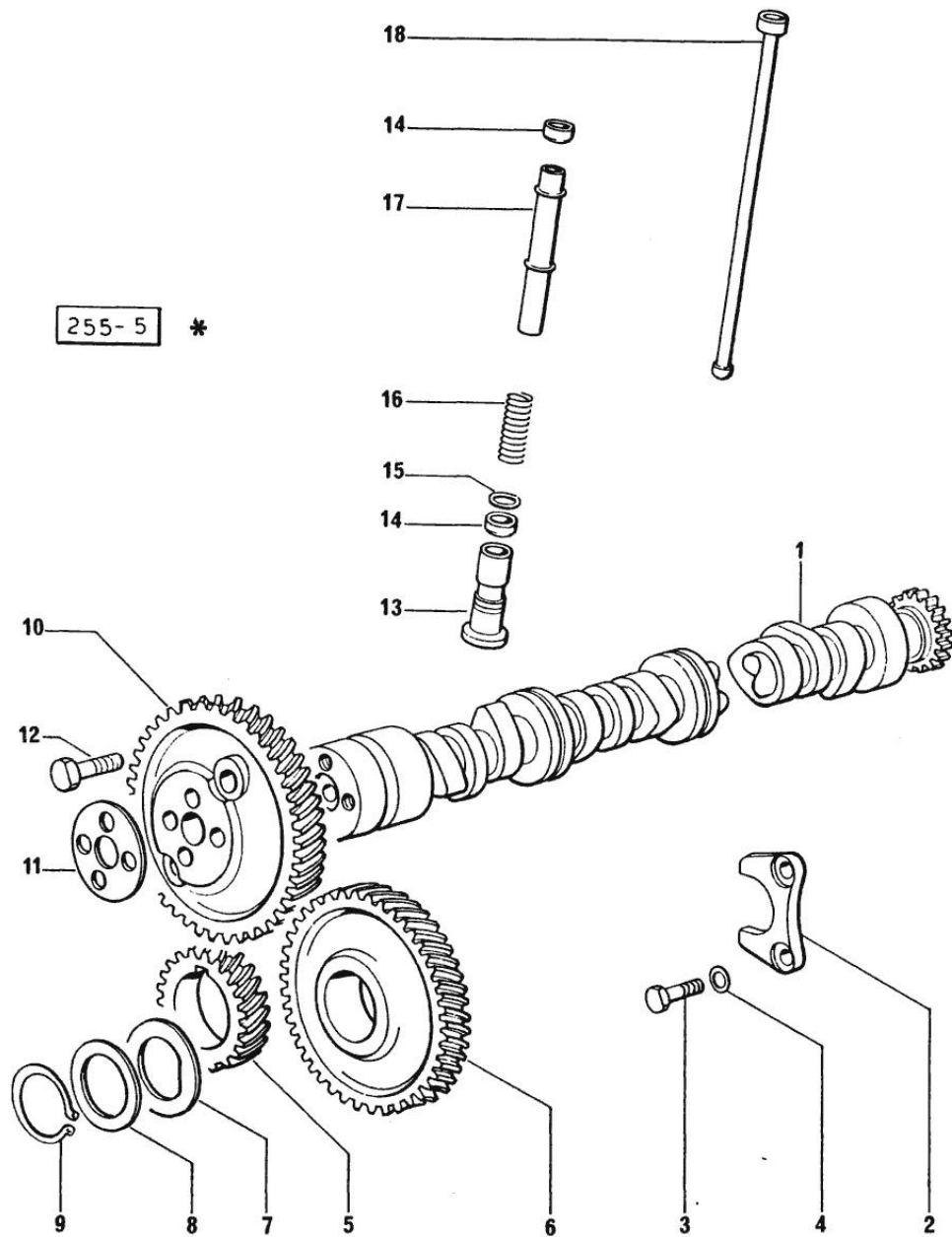


Fig.	P/n	QTY	Name
<b>Notes:</b>			
[H 356]			
1	0.065.1324.0/10	1	gear Z = 32
1	0.070.1310.3/30	1	camshaft
2	0.065.1353.0	1	small plate
3	2.0312.205.2	2	screw
4	2.1480.014.1	2	washer 8
5	0.065.1323.0/20	1	gear Z = 29
6	0.065.1325.3/20	1	gear Z = 57
6	2.1559.185.0/10	1	bushing
7	0.065.1351.0	2	shoulder ring
8	0.065.1352.0	1	shim
9	2.1410.016.1	1	circlip 40
10	0.065.1354.0/10	1	gear z=58
11	0.065.1350.0	1	small disc
12	2.0132.207.2	4	screw m 10 p.1 x 25
13	0.065.1330.0	6	tappets
14	2.1569.114.0	12	gasket
15	2.1599.437.0	6	shoulder ring
16	2.4019.300.1	6	spring
17	0.065.1332.0	6	sleeve
18	0.065.1331.2	6	rod

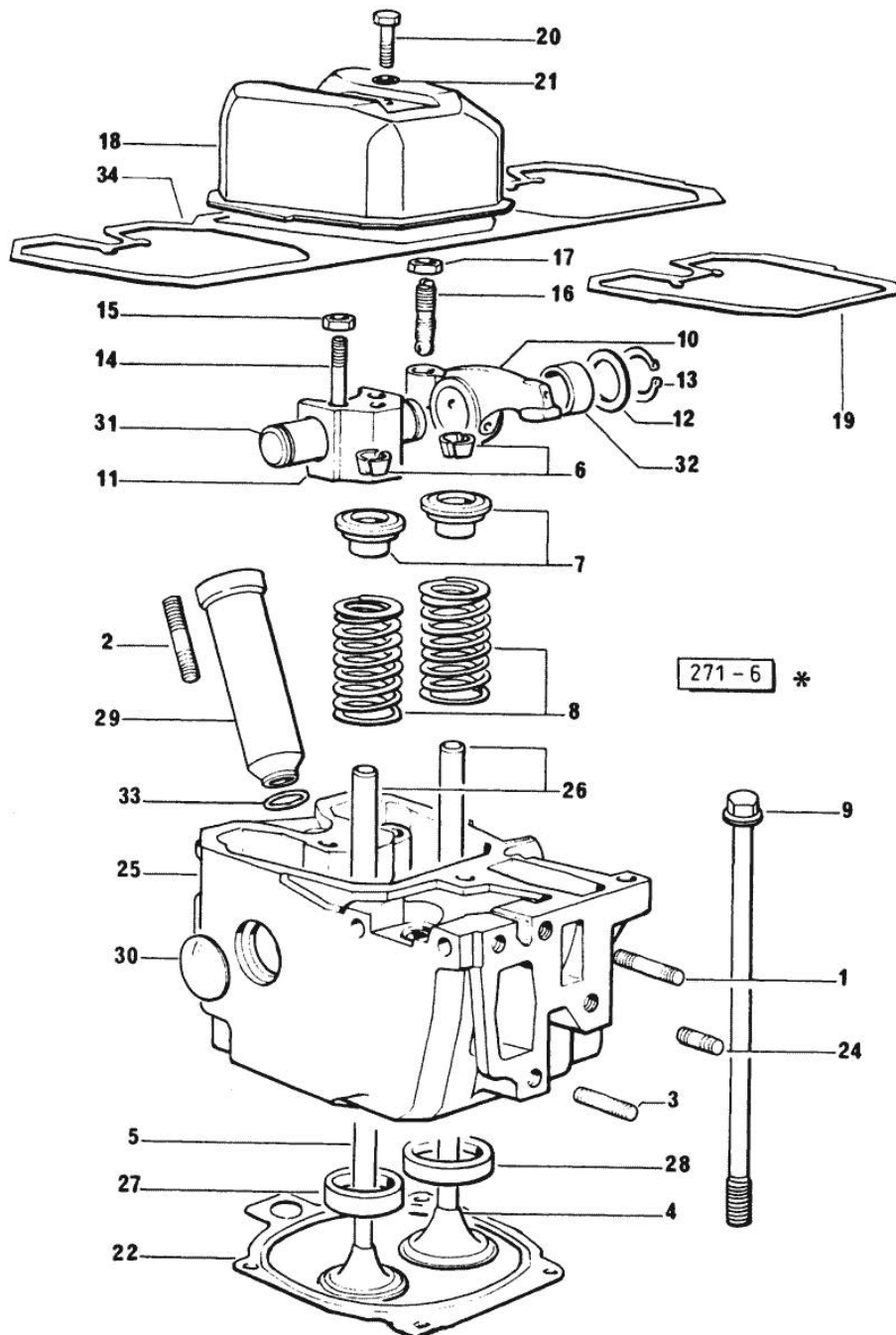
Section: ENGINE  
CYLINDER HEAD

Fig.	P/n	QTY	Name
<b>Notes:</b>			
[H 356]			
1	2.0432.011.7	3	stud bolt m 8 p.1.25 / p.1 x 40
2	2.0432.161.7	3	stud bolt m 10 p.1.5 / p.1.25 x 40
3	2.0432.007.7	8	stud bolt m 8 p.1.25 / p.1 x 30
4	0.066.1420.0	4	inlet valve Ø mm 9 X 916.3 W
4	0.078.1420.0	4	inlet valve X 1000.3 W
5	0.066.1421.0	3	exhaust valve
6	0.074.1423.0	6	conical valve cotter
7	0.066.1425.0	6	cup
8	2.4019.287.0	6	spring
9	0.066.1443.0/10	12	screw
10	0.066.1432.0	6	rocker arm
11	0.066.1430.0	3	support
12	2.1599.432.0	6	shoulder ring
13	2.1410.055.1	6	circlip 19
14	2.0432.163.7	6	stud bolt m 10 p.1.5 / p.1.25 x 45
15	2.1011.421.2	6	nut m 10 p.1.25
16	0.021.1434.0	6	screw
17	2.1011.405.2	6	nut m 8 p.1
18	0.066.1440.0/10	3	small cap
19	0.066.1450.0	3	tappet gasket
20	2.0112.211.2	3	screw m 8 p.1.25 x 30
21	2.1560.204.0	3	gasket
22	0.078.1451.0/30	4	gasket "A" (...) <= ORDER ALSO: 1x 2.1559.188.0
22	0.078.1452.0/20	3	gasket "B" (...) <= ORDER ALSO: 1x 2.1559.188.0
22	0.078.1453.0/30	3	gasket "C" (...) <= ORDER ALSO: 1x 2.1559.188.0
24	2.0432.005.7	3	stud bolt m 8 p.1.5 / p.1 x 25
25	0.066.1410.3/40	3	old part number X 916.3 W
25	0.078.1410.3/40	3	old part number X 1000.3 W
26	0.066.1416.0	6	valve guide
27	0.066.1427.0	3	valve seat
28	0.066.1426.0	3	valve seat
29	0.066.1413.0	3	bush
30	2.3170.012.1	6	expansion plug 30
31	0.066.1431.0	3	pin

Section: ENGINE  
CYLINDER HEAD

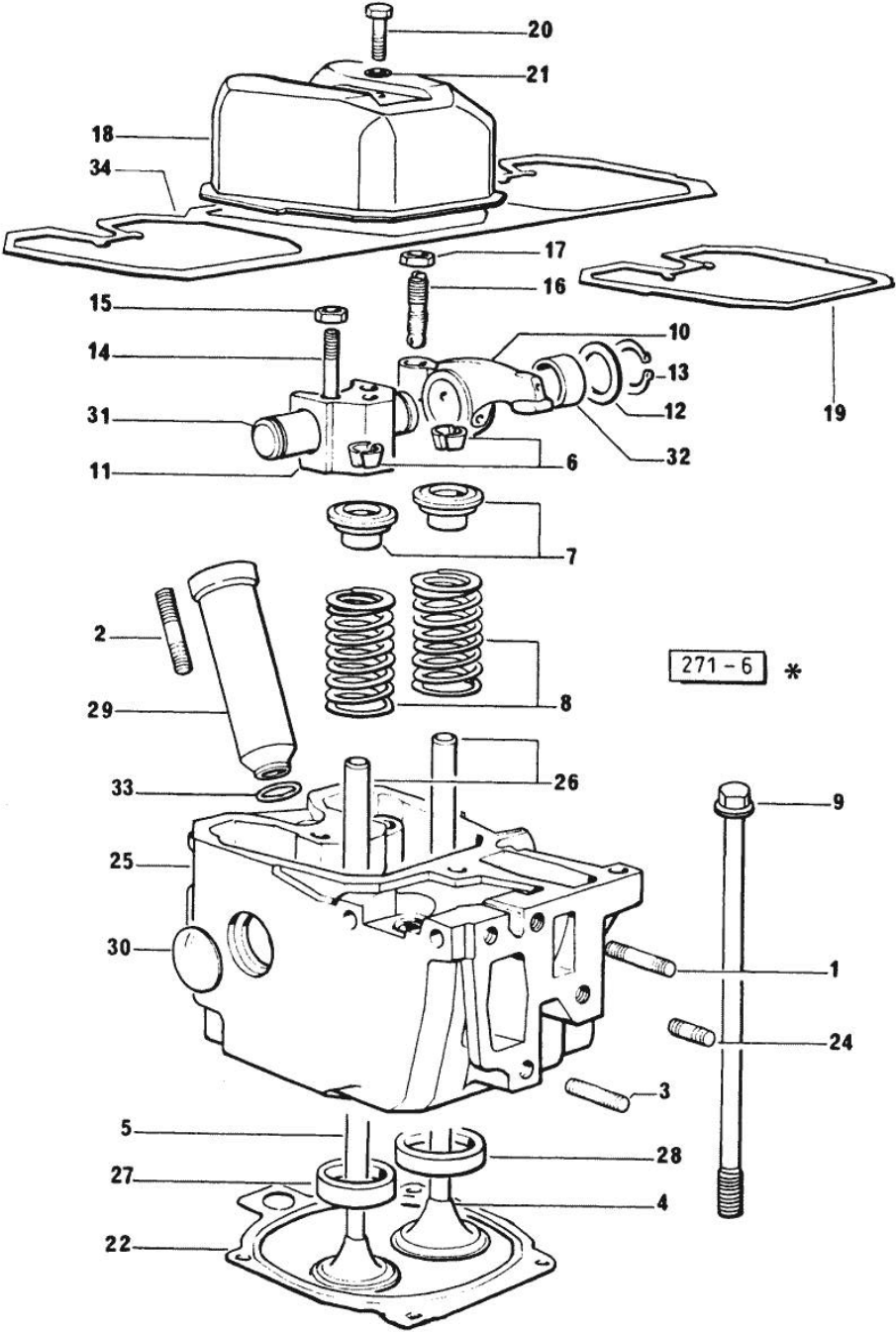


Fig.	P/n	QTY	Name
32	2.1559.021.0/40	8	bushing 15x19x22
33	2.1530.056.0	4	oil seal 21.82 x 3.53
34	0.069.1450.0/10	1	gasket

271 - 6 \*

Section: ENGINE  
LUBRICATION

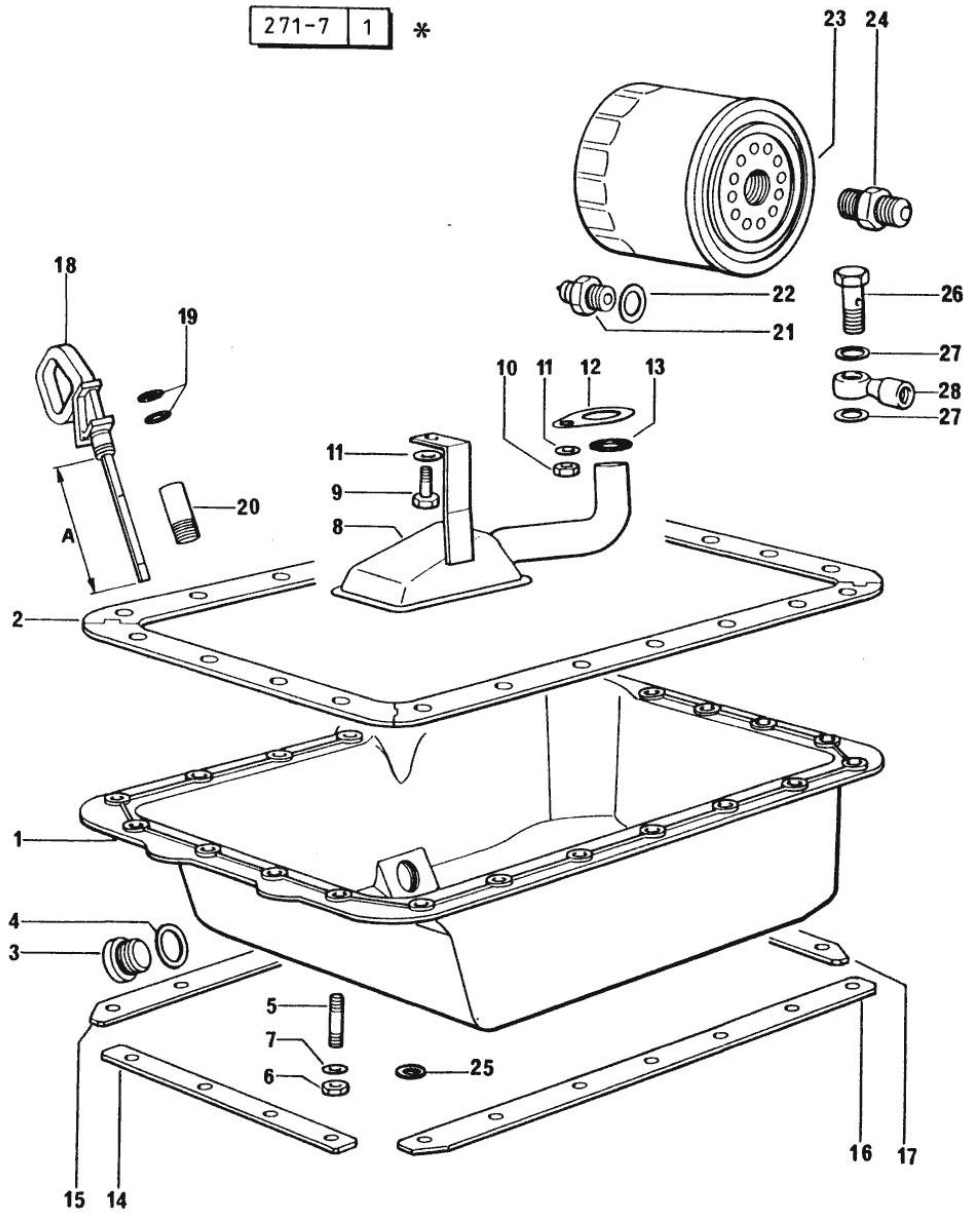


Fig.	P/n	QTY	Name
------	-----	-----	------

Notes:  
[H 356]

1	0.070.1510.2/20	1	oil sump
2	0.070.1551.0	1	gasket
3	2.3199.001.2	1	plug 1/2" gas
4	2.1560.054.0	1	gasket 21 x 26
5	2.0432.003.7	22	stud bolt m 8 p.1.25 / p.1 x 20
6	2.1121.105.2	22	nut m 8 x 1
7	2.1470.004.2	22	lock washer 8
8	0.070.1531.3	1	tube
9	2.0112.205.2	1	screw m 8 p.1.25 x 16
10	2.1011.105.2	1	nut m 8 p.1.25
11	2.1470.004.2	2	lock washer 8
12	0.065.1538.0	1	flange
13	2.1539.040.0	1	special oil seal 21.82 x 3.53
14	0.070.1554.0	1	small plate
15	0.070.1552.0	1	small plate
16	0.070.1553.0	1	small plate
17	0.070.1555.0	1	small plate
18	0.069.1513.2	1	dipstick
18	0.085.1513.2	1	dipstick mm 78
19	2.1539.065.0	2	special oil seal 8.73 x 1.78
20	0.066.1551.0	1	spacer
21	2.3339.359.2	1	pipe fitting
21	2.3339.359.2/10	1	pipe fitting
22	2.1560.008.0	1	gasket 12.2 x 18
23	0.044.1567.0	1	oil filter element
24	2.3339.307.1/20	1	pipe fitting
25	2.1599.459.0	3	small plate
26	2.3339.448.2	1	pipe union m 12 p.1.75
27	2.1560.008.0	2	gasket 12.2 x 18
28	2.3249.014.2	1	pipe fitting m 12 p.1.5

Section: ENGINE  
LUBRICATION 1211 <=

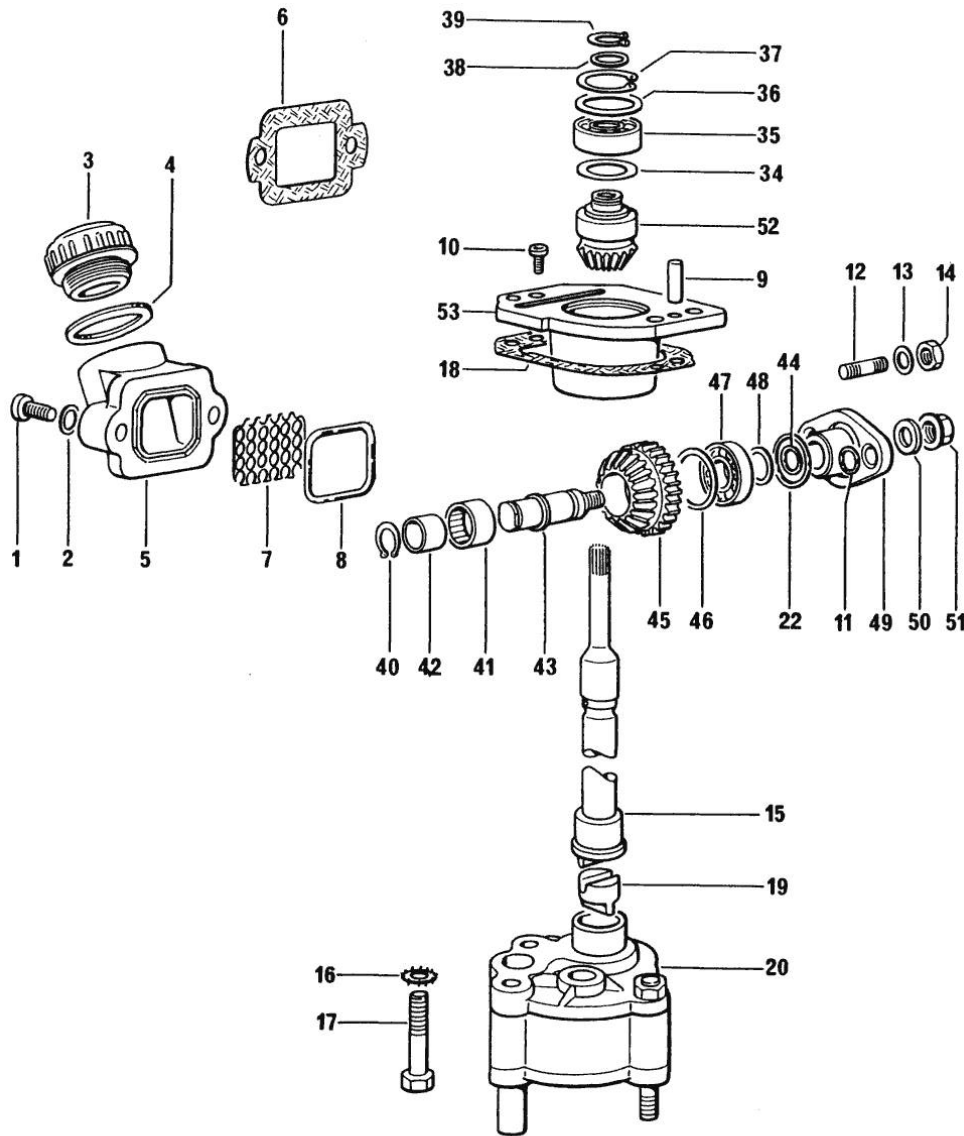


Fig.	P/n	QTY	Name
------	-----	-----	------

Notes:  
[H 356]

1	2.0312.205.2	2	screw
2	2.1480.014.1	2	washer 8
3	0.041.1135.4	1	plug 1" gas
4	2.1569.072.0	1	gasket 32 x 39.5 x 2
5	0.065.1565.0/10	1	pipe union
6	0.065.1566.0	1	gasket
7	0.065.1567.0/10	1	filter
8	2.1539.042.0	1	special oil seal 47.35x1.78
9	2.1652.711.0	2	cylindrical plug 8x25
10	2.0169.005.2	2	screw m 6 p.1 x 12
11	2.1530.016.0	2	oil seal 8.73 x 1.78
12	2.0439.151.2	2	stud bolt
13	2.1470.004.2	2	lock washer 8
14	2.1011.405.2	2	nut m 8 p.1
15	0.065.1569.0	1	shaft
16	2.1470.006.2	2	lock washer 10
17	2.0112.324.2	2	screw m 10 p.1.5x75
18	0.065.1560.0	1	old part number
19	0.065.1562.0	1	joint
20	9.07599.43.4	1	old part number
22	2.1530.053.0	1	oil seal 20.35x1.78
34	2.1589.148.0	1	shoulder ring 28.2 x 31.8 x 0.5
35	2.2020.001.0	1	ball bearing 15 x 32 x 8.00
36	2.1589.149.0	1	old part number
36	2.1589.150.0	1	shoulder ring 28.2 x 31.8 x 0.1
36	2.1589.151.0	1	shoulder ring 28.2 x 31.8 x 0.15
37	2.1411.013.1	1	circlip 32
38	2.1589.146.0	1	shoulder ring 15.2 x 19 x 0.15
38	2.1589.147.0	1	shoulder ring 15.2 x 19 x 0.10
38	2.1589.153.0	1	shoulder ring 15.2 x 19 x 1.00
39	2.1410.057.1	1	circlip 15
40	2.1410.002.1	1	circlip 12
41	2.2725.016.0	1	roller cage 15 x 21 x 12
42	2.2680.020.0	1	ring 12 x 15 x 12
43	0.065.1564.0	1	pin
44	2.1530.016.0	1	oil seal 8.73 x 1.78
45	0.065.1561.0	1	old part number
46	2.1589.152.0	1	shoulder ring
47	2.2030.002.0	1	ball bearing 12 x 28 x 8
48	2.1589.143.0	1	shoulder ring mm 0.5
48	2.1589.144.0	1	shoulder ring mm 0.15

291-8 \*

Section: ENGINE  
LUBRICATION 1211 <=

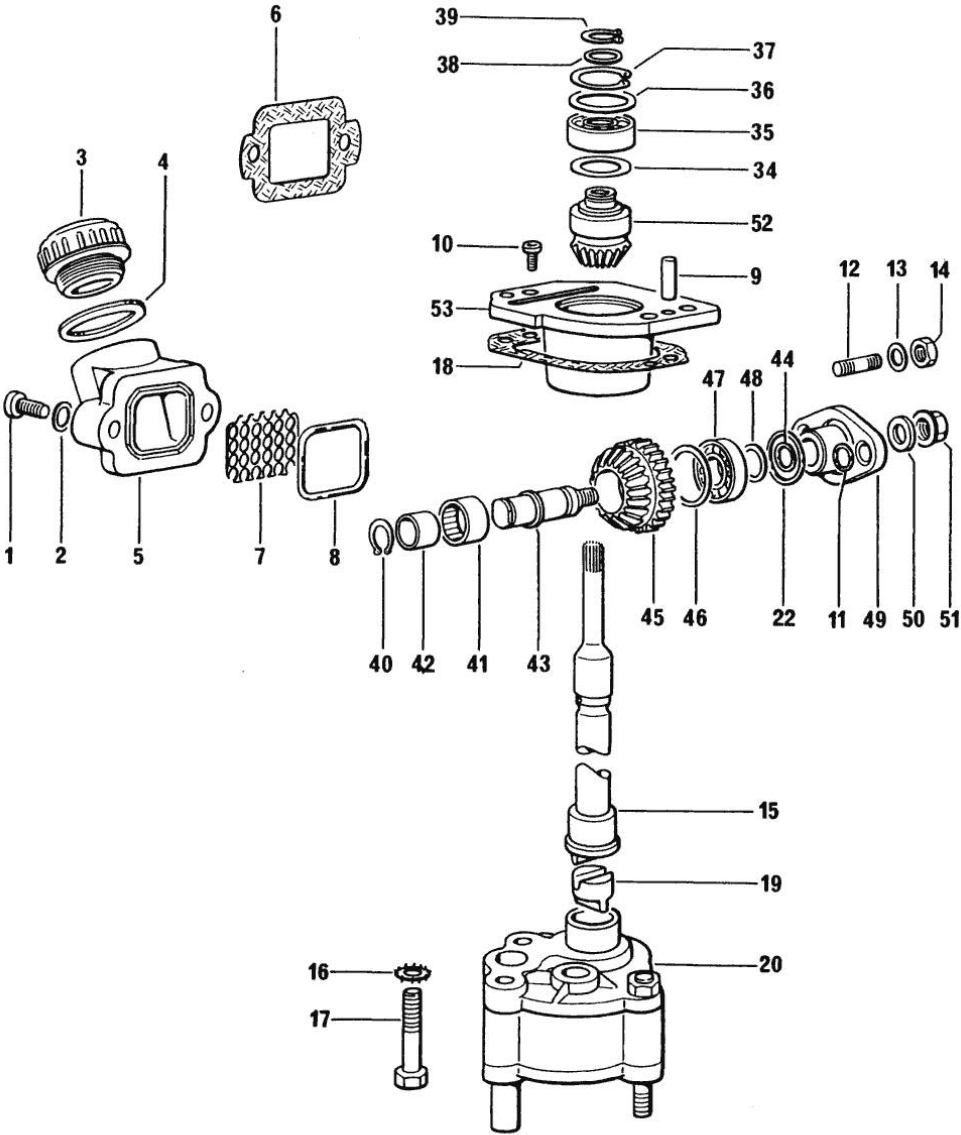


Fig.	P/n	QTY	Name
48	2.1589.145.0	1	shoulder ring mm 0.10
49	0.065.1563.0/10	1	flange
50	2.1599.477.0	1	shoulder ring
51	2.1099.094.0	1	self-locking nut
52	0.065.1558.3	1	old part number
53	0.065.1557.3	1	support

291-8 \*

LUBRICATION - => 1212 (...) <=

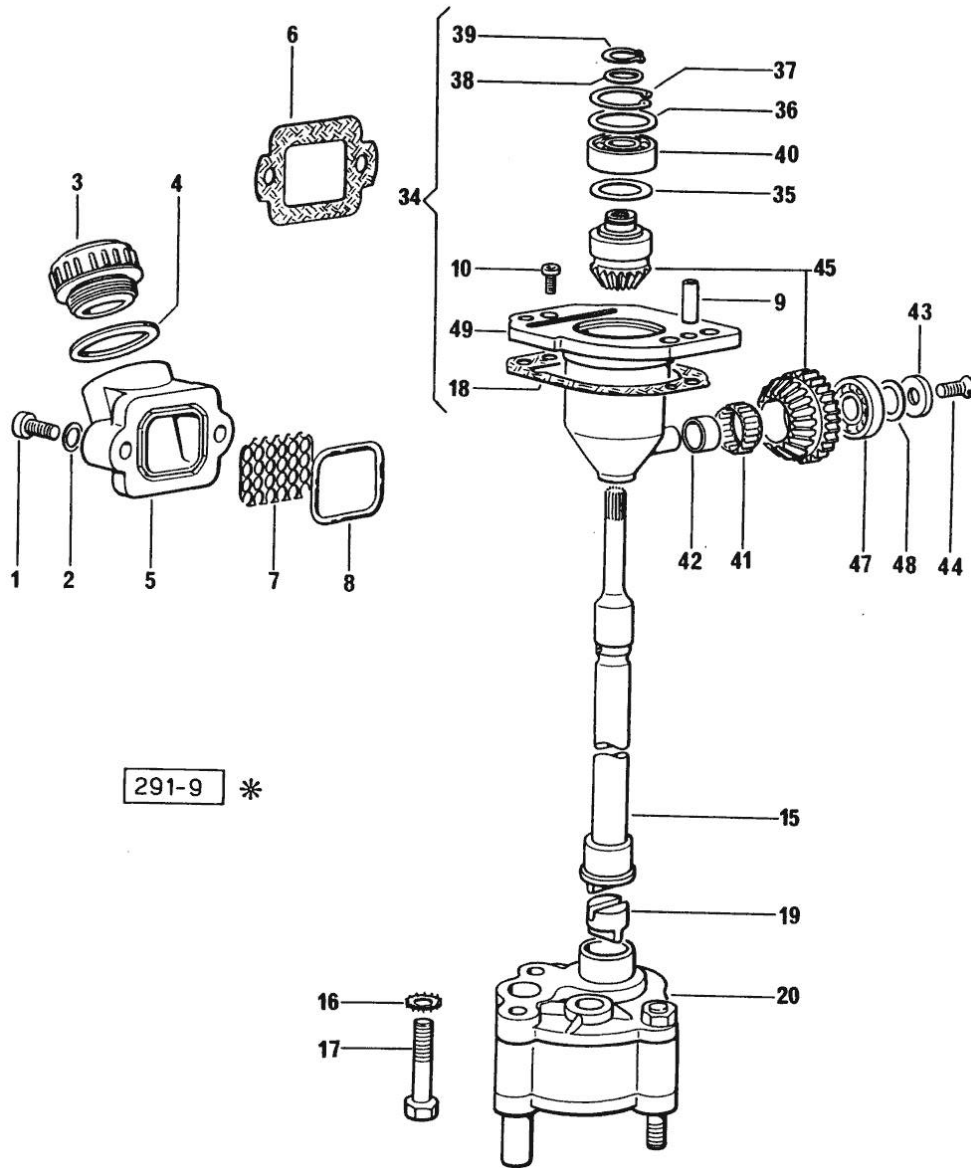


Fig.	P/n	QTY	Name
------	-----	-----	------

Notes:  
[H 356]

1	2.0312.205.2	2	screw
2	2.1480.014.1	2	washer 8
3	0.041.1135.4	1	plug 1" gas
4	2.1569.072.0	1	gasket 32 x 39.5 x 2
5	0.065.1565.0/10	1	pipe union
6	0.065.1566.0	1	gasket
7	0.065.1567.0/10	1	filter
8	2.1539.042.0	1	special oil seal 47.35x1.78
9	2.1652.711.0	2	cylindrical plug 8x25
10	2.0169.005.2	2	screw m 6 p.1 x 12
15	0.065.1569.0	1	shaft
16	2.1470.006.2	2	lock washer 10
17	2.0112.324.2	2	screw m 10 p.1.5x75
18	0.065.1560.0	1	old part number
19	0.065.1562.0	1	joint
20	9.06699.43.3	1	oil pump
34	9.07599.43.3	1	old part number
35	2.1589.148.0	1	shoulder ring 28.2 x 31.8 x 0.5
36	2.1589.149.0	1	old part number
36	2.1589.150.0	1	shoulder ring 28.2 x 31.8 x 0.1
36	2.1589.151.0	1	shoulder ring 28.2 x 31.8 x 0.15
37	2.1411.013.1	1	circlip 32
38	2.1589.146.0	1	shoulder ring 15.2 x 19 x 0.15
38	2.1589.147.0	1	shoulder ring 15.2 x 19 x 0.10
38	2.1589.153.0	1	shoulder ring 15.2 x 19 x 1.00
39	2.1410.057.1	1	circlip 15
40	2.2020.001.0	1	ball bearing 15 x 32 x 8.00
41	2.2725.016.0	1	roller cage 15 x 21 x 12
42	2.2680.020.0	1	ring 12 x 15 x 12
43	2.1599.483.0	1	shoulder ring
44	2.0342.202.2	1	screw
45	0.065.1558.6/10	1	bevel drive
47	2.2030.002.0	1	ball bearing 12 x 28 x 8
48	2.1589.143.0	1	shoulder ring mm 0.5
48	2.1589.144.0	1	shoulder ring mm 0.15
48	2.1589.145.0	1	shoulder ring mm 0.10
49	0.075.1551.3	1	old part number

Section: ENGINE  
LUBRICATION => (...)

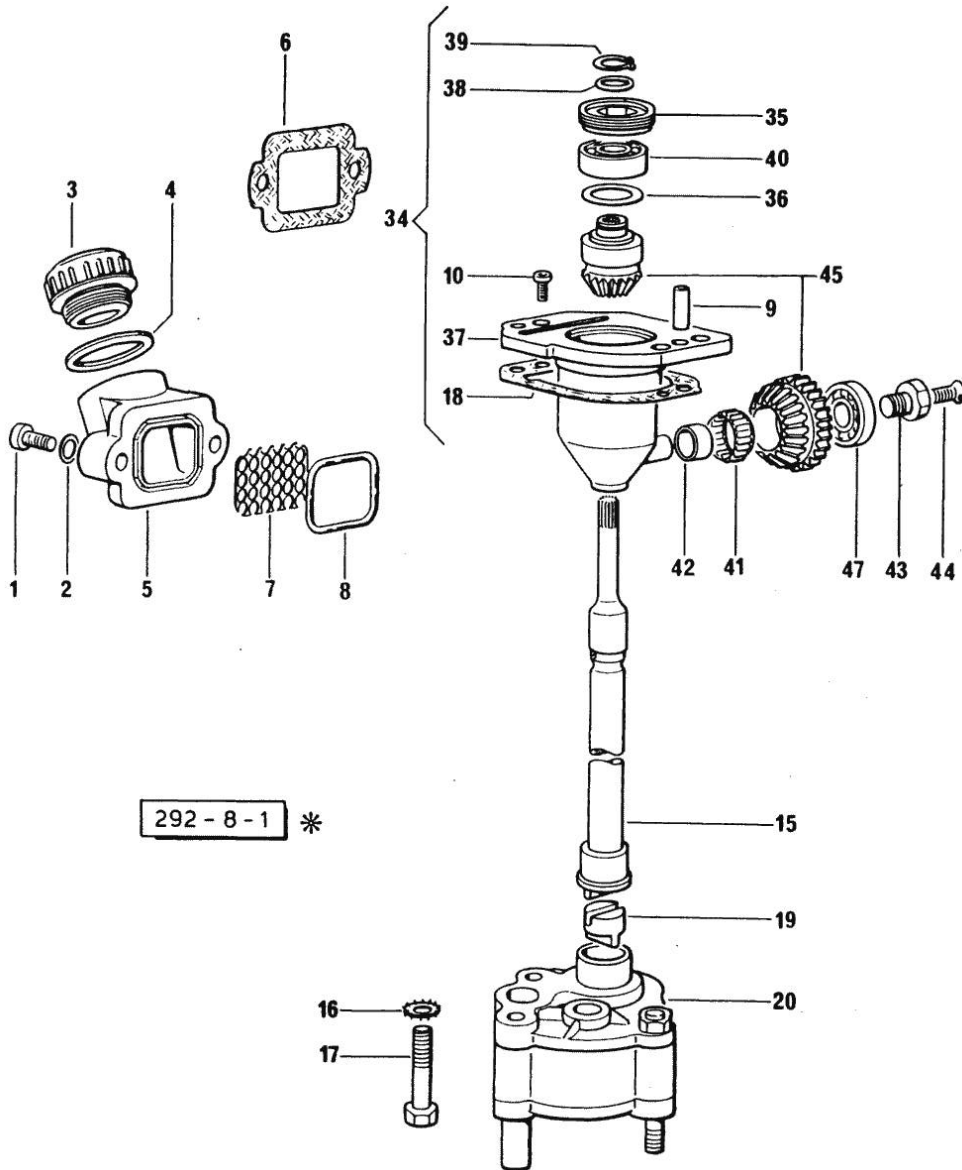


Fig.	P/n	QTY	Name
<b>Notes:</b> [H 356]			
1	2.0312.205.2	2	screw
2	2.1480.014.1	2	washer 8
3	0.041.1135.4	1	plug 1" gas
4	2.1569.072.0	1	gasket 32 x 39.5 x 2
5	0.065.1565.0/10	1	pipe union
6	0.065.1566.0	1	gasket (...)<=
7	0.065.1567.0/10	1	filter
8	2.1539.042.0	1	special oil seal 47.35x1.78
9	2.1652.711.0	2	cylindrical plug 8x25
10	2.0169.005.2	2	screw m 6 p.1 x 12
15	0.065.1569.0	1	shaft
16	2.1470.006.2	2	lock washer 10
17	2.0112.323.2	2	screw m 10 p.1.5x70
18	0.065.1560.0/20	2	gasket
19	0.065.1562.0	1	joint
20	9.06699.43.3	1	oil pump
34	9.07599.43.3	1	old part number
35	2.1219.025.2	1	ring nut m 36 p.1 (...)<=
35	2.1219.025.2/10	1	ring nut m 36 p.1.5 =>(…)
36	2.1589.148.0	1	shoulder ring 28.2 x 31.8 x 0.5
36	2.1589.150.0	1	shoulder ring 28.2 x 31.8 x 0.1
36	2.1589.151.0	1	shoulder ring 28.2 x 31.8 x 0.15
37	0.075.1551.3/30	1	support (...)<- ORDER ALSO: 1x 2.1219.025.2/10 - 1x 2.0399.128.2/10
38	2.1589.146.0	1	shoulder ring 15.2 x 19 x 0.15
38	2.1589.147.0	1	shoulder ring 15.2 x 19 x 0.10
38	2.1589.153.0	1	shoulder ring 15.2 x 19 x 1.00
39	2.1410.057.1	1	circlip 15
40	2.2020.001.0	1	ball bearing 15 x 32 x 8.00
41	2.2725.016.0	1	roller cage 15 x 21 x 12
42	2.2680.020.0	1	ring 12 x 15 x 12
43	2.0399.128.2	1	screw (...)<=
43	2.0399.128.2/10	1	screw m 8 p.1 x 8 =>(…)
44	2.0342.007.2	1	screw m 4 p.0.7x25
45	0.065.1558.6/10	1	bevel drive



**Suggest:**

**For more complete manuals. Please go to the home page.**

**<https://www.ebooklibonline.com>**

**If the above button click is invalid. Please download this document first, and then click the above link to download the complete manual.**

**Thank you so much for reading**

Section: ENGINE  
LUBRICATION => (...)

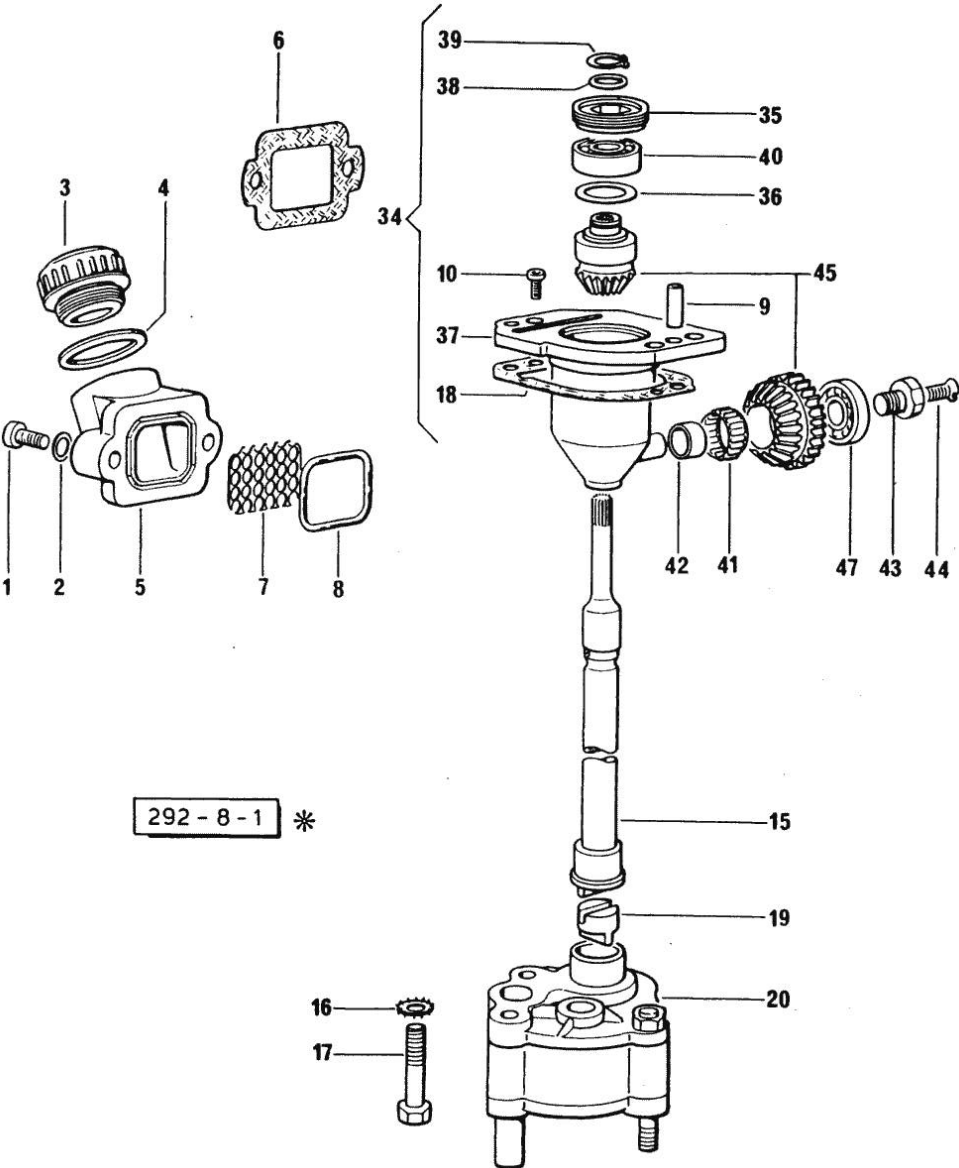


Fig.	P/n	QTY	Name
------	-----	-----	------

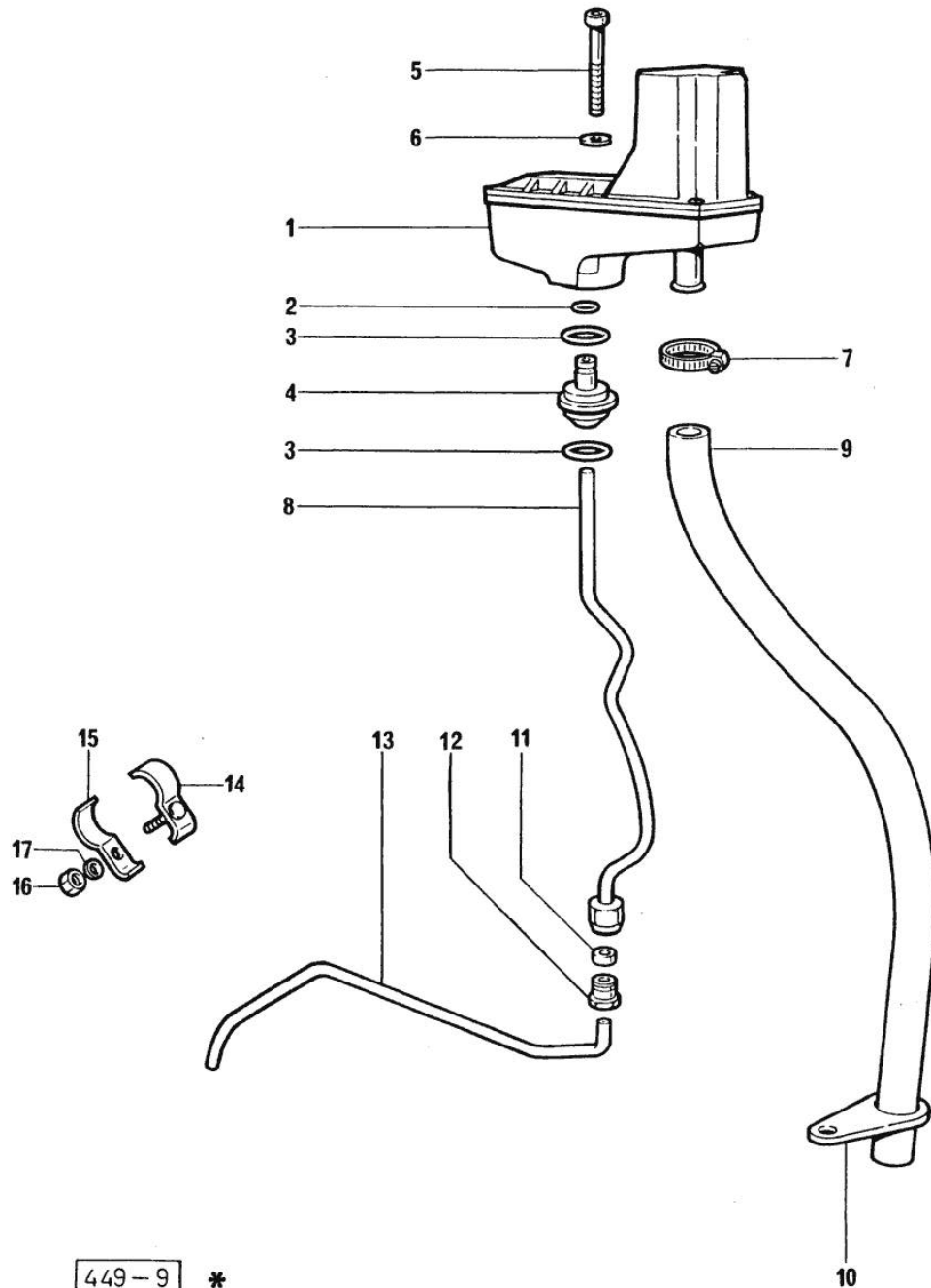
47	2.2030.002.0	1	ball bearing 12 x 28 x 8
----	--------------	---	--------------------------

Section: ENGINE  
**LUBRICATION => (...)**

Fig.	P/n	QTY	Name
------	-----	-----	------

 Notes:  
 [H 356]

1	0.000.0000.1	1	cannot be supplied ☞ 01.00.10
2	2.1539.074.0	1	special oil seal 7.66 x 1.78
3	2.1539.072.0	2	special oil seal 23.52 x 1.78
4	0.066.1558.0	1	bush
5	2.0312.221.2	2	screw m 8 p.1.25x75
6	2.1480.014.1	2	washer 8
7	2.6859.073.2	1	clamp
8	0.066.1557.2	1	tube
9	0.066.1559.0	1	tube
10	0.075.1151.0	1	bracket
11	2.3350.003.1	1	nosepiece 8
12	2.3339.418.1	1	pipe fitting m 12 p.1
13	0.069.1550.0	1	tube
14	0.075.1552.2	2	bracket
15	0.075.1552.0	2	bracket
16	2.1011.103.2	2	nut m 6 p.1
17	2.1470.002.2	2	lock washer 6



449-9

\*

**<https://www.ebooklibonline.com>**

Hello dear friend!

Thank you very much for reading.

Enter the link into your browser.

The full manual is available for immediate download.

**<https://www.ebooklibonline.com>**