

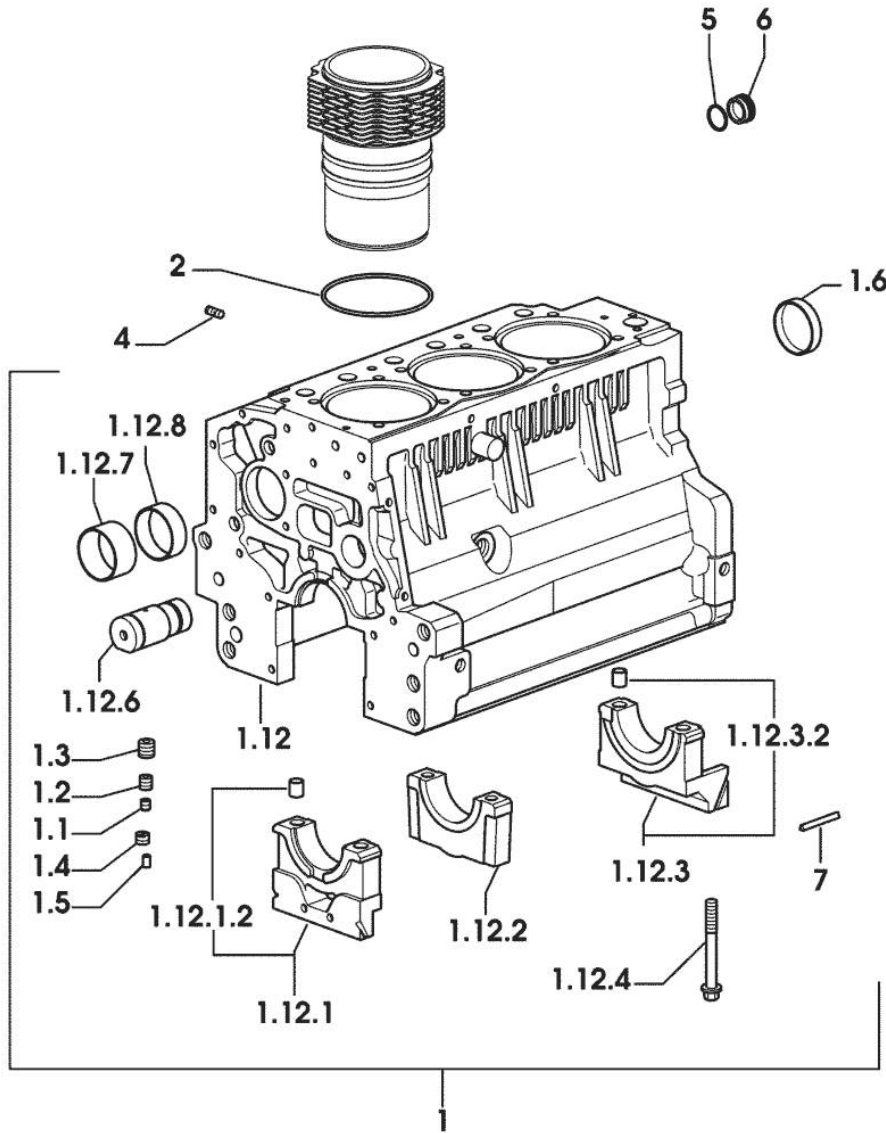
Section: ENGINE  
**CRANKCASE**

9\_34811\_00\_0\_A

Fig.	P/n	QTY	Name
------	-----	-----	------

Notes:  
 [H-355 F-XE]

1	0.007.1150.6/10	1	crankcase
1.1	2.3130.001.1	9	plug 1/8" gas
1.2	2.3130.002.1	2	plug 1/4" gas
1.3	2.3130.003.1	7	plug 3/8" gas
1.4	2.1324.011.0	1	plug
1.5	2.3199.092.0	3	plug 8 x 12
1.6	2.3179.012.0	1	plug 60
1.12	0.000.0000.1		cannot be supplied
1.12.1	0.065.1112.7	1	support
1.12.1.2	2.1699.165.0	1	bush 12.3x15x16
1.12.2	0.065.1114.0/10	2	support
1.12.3	0.065.1116.3	1	support
1.12.3.2	2.1699.165.0	1	bush 12.3x15x16
1.12.4	0.065.1117.0	8	screw m 12 x 100
1.12.6	0.066.1151.0	1	pin
1.12.7	0.065.1141.0	1	special bushing 59X55X30
1.12.8	0.065.1140.0	3	special bushing 59X55X20
2	2.1539.130.0/10	3	special oil seal 117.07x3.53
4	2.0432.003.7	9	stud bolt m 8 p.1.25 / p.1 x 20
5	2.1532.072.0	1	oil seal 26.70x1.78
6	2.3199.405.2	1	plug m 28 p.1.5
7	0.066.1152.0/10	4	gasket



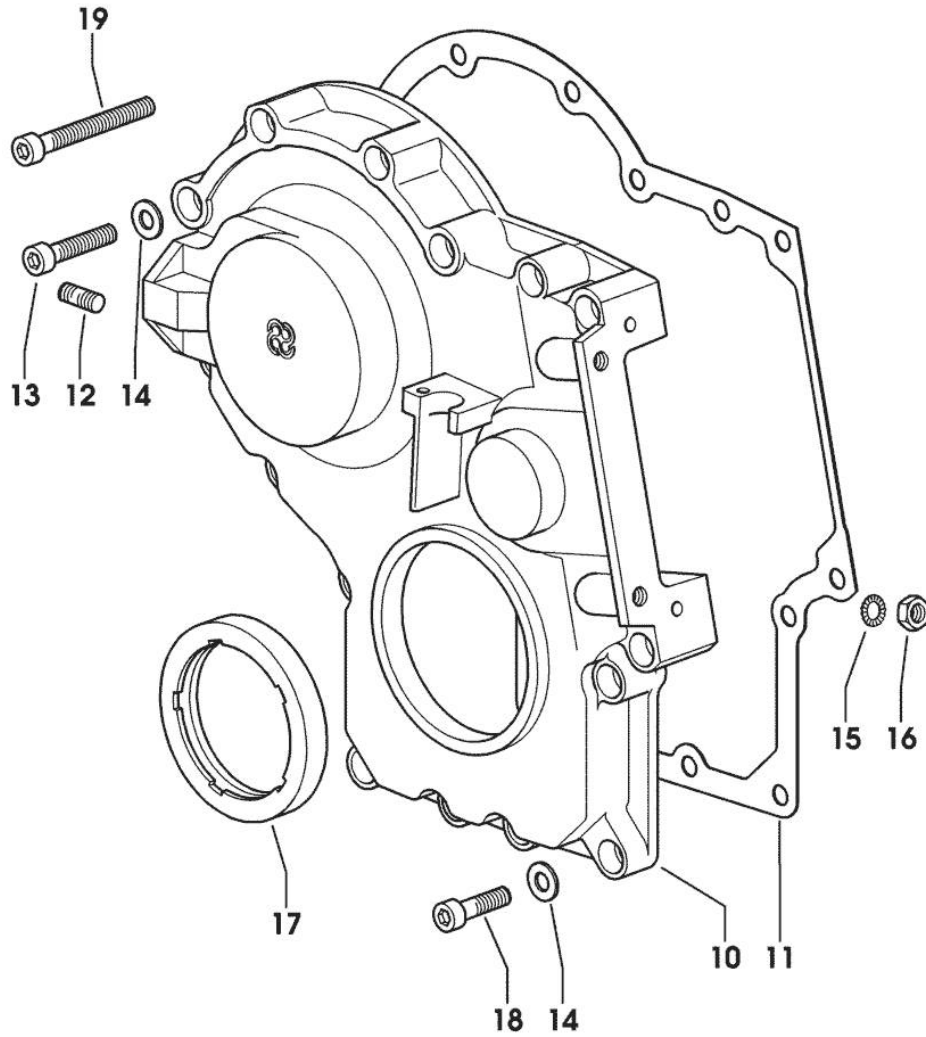
9\_34811\_00\_0\_B

Section: ENGINE  
TIMING CASE

Fig.	P/n	QTY	Name
------	-----	-----	------

Notes:  
[H-355 F-XE]

10	0.013.4981.0	1	guard
11	0.065.1150.0/30	1	gasket
12	2.0432.003.7	2	stud bolt m 8 p.1.25 / p.1 x 20
13	2.0312.214.2	3	screw m 8 p.1.25 x 40
14	2.1480.014.1	15	washer 8
15	2.1470.004.2	4	lock washer 8
16	2.1011.405.2	2	nut m 8 p.1
17	2.1529.141.0	1	special oil seal
18	2.0312.208.2	8	screw m 8 p.1.25 x 25
19	2.0312.219.2	4	screw m 8 p.1.25x65



Section: ENGINE

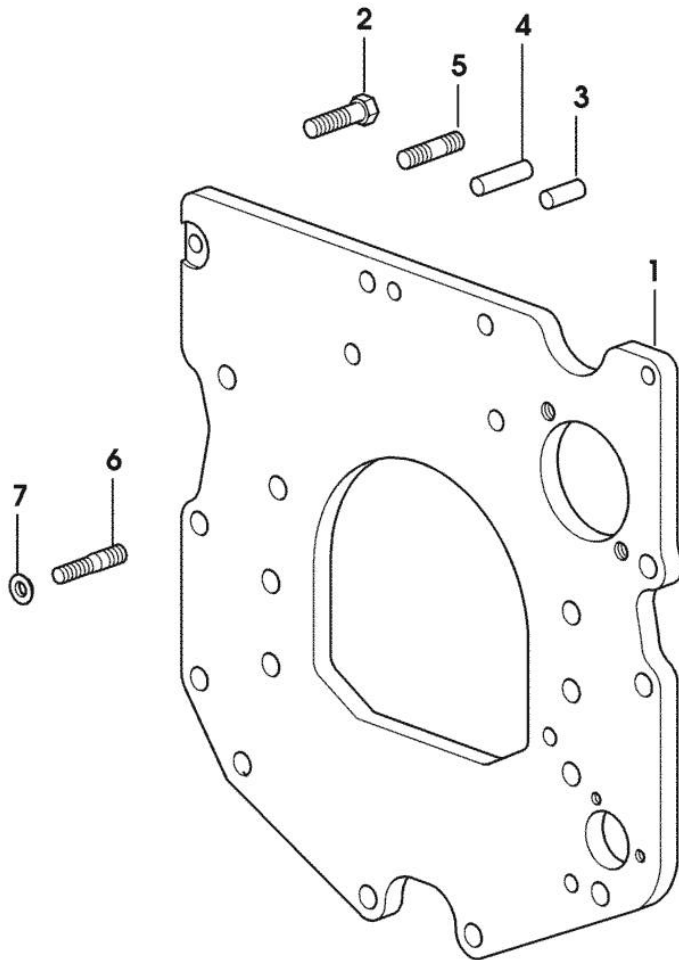
**MONOBLOC ENGINE-GEARBOX CONNECTING FLANGE**

Fig.	P/n	QTY	Name
------	-----	-----	------

**Notes:**

[H-355 F-XE]

1	0.007.1882.0/50	1	flange
2	2.0112.511.2	8	screw m 14 p.2 x 30
3	2.1651.912.0	2	cylindrical plug 12x28
4	2.1651.917.0	1	cylindrical plug 12x40
5	2.0432.257.7	1	stud bolt m 12 p.1.75 - 1.25 x 30
6	2.0439.250.7	1	stud bolt m 12 / m 10 x 30
7	0.011.9294.0/10	1	bush



9\_38611\_01\_0\_0

**<https://www.ebooklibonline.com>**

Hello dear friend!

Thank you very much for reading.

Enter the link into your browser.

The full manual is available for immediate download.

**<https://www.ebooklibonline.com>**

Section: ENGINE

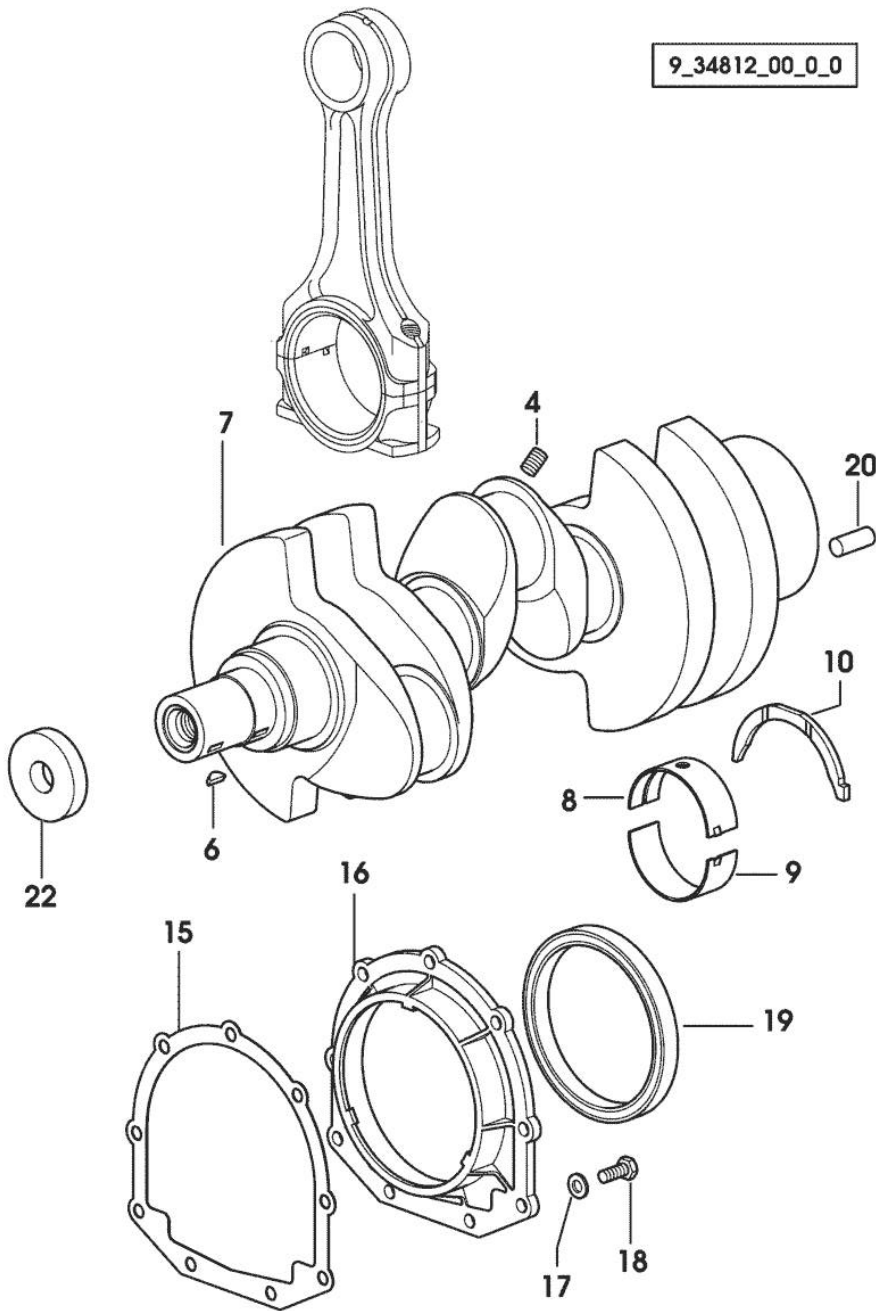
**CRANKSHAFT**

9\_34812\_00\_0\_0

Fig.	P/n	QTY	Name
------	-----	-----	------

Notes:  
[H-355 F-XE]

4	2.3130.001.1	3	plug 1/8" gas
6	2.1720.006.0	2	key 4x6.5
7	0.007.1554.0/20	1	crankshaft
8	0.065.1215.0	4	main half bushing STANDARD
8	0.065.1215.7		main half bushing - mm 0.25
8	0.065.1215.8		main half bushing - mm 0.50
9	0.065.1216.0	4	main half bushing
9	0.065.1216.7		main half bushing - mm 0.25
9	0.065.1216.8		main half bushing - mm 0.50
10	0.065.1218.0	4	shim STANDARD
10	0.065.1218.7		shim + mm 0.10
10	0.065.1218.8		shim + mm 0.15
15	0.065.1254.0/20	1	gasket
16	0.007.1711.0/10	1	cover
17	2.1475.002.2	9	conical washer 8
18	2.0112.207.2	9	screw m 8 p 1.25 x 20
19	2.1529.073.0	1	special oil seal 110x130x13
20	2.1651.915.0	1	pin 12x35
22	2.1599.524.7	1	washer 21x60x12



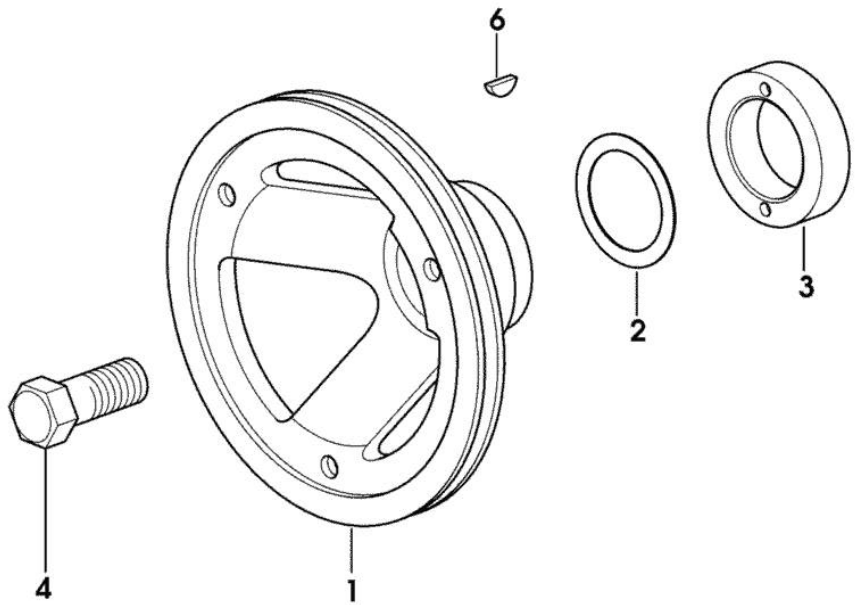
Section: ENGINE

**CRANKSHAFT PULLEY**

Fig.	P/n	QTY	Name
------	-----	-----	------

Notes:  
[H-355 F-XE]

1	0.007.1330.0/30	1	pulley
2	2.1589.189.0	2	shoulder ring mm 1.00
3	0.085.1248.0/10	1	hub
4	2.0399.144.7/10	1	screw m 20 p.1.5x51
6	2.1720.006.0	1	key 4x6.5



9\_33012\_02\_0\_0

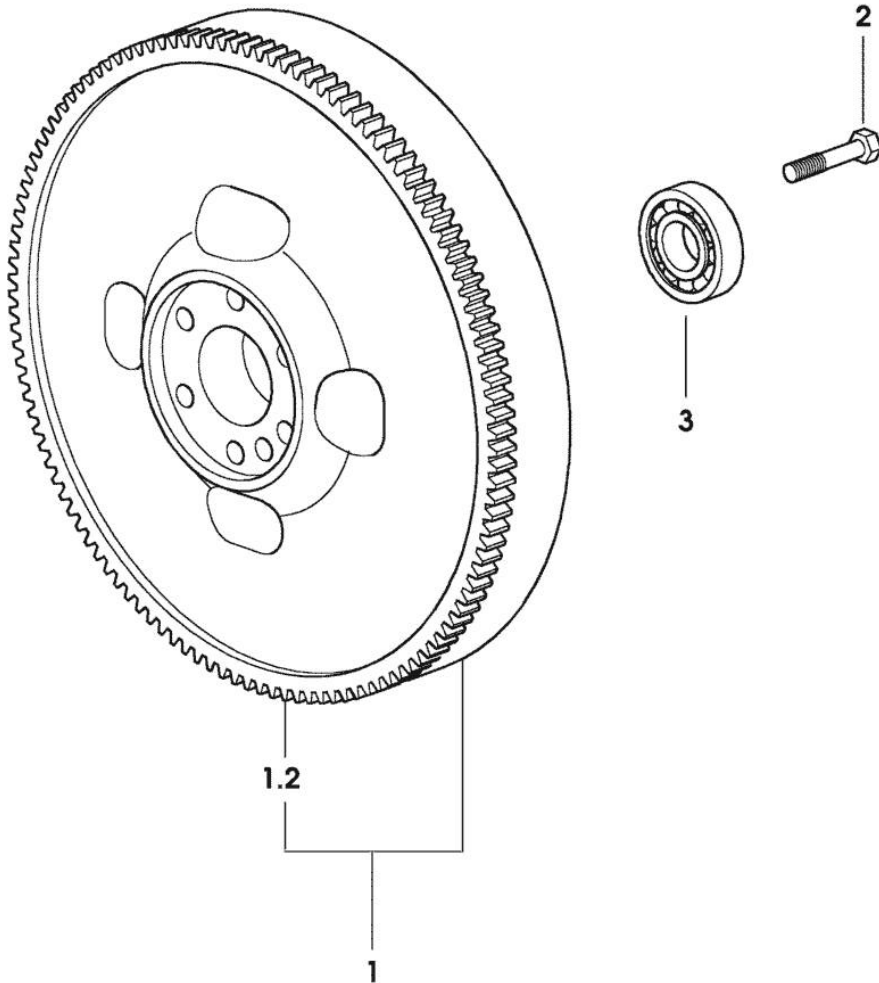
Section: ENGINE

**FLYWHEEL**

Fig.	P/n	QTY	Name
------	-----	-----	------

Notes:  
[H-355 F-XE]

1	0.007.1617.3/30	1	flywheel
1.2	0.069.1242.0	1	crown wheel Z = 121
2	2.0119.174.0/10	6	screw m 12 p.1.25x45
3	2.2041.008.0	1	ball bearing 20x47x14



9\_31112\_02\_0\_0

Section: ENGINE

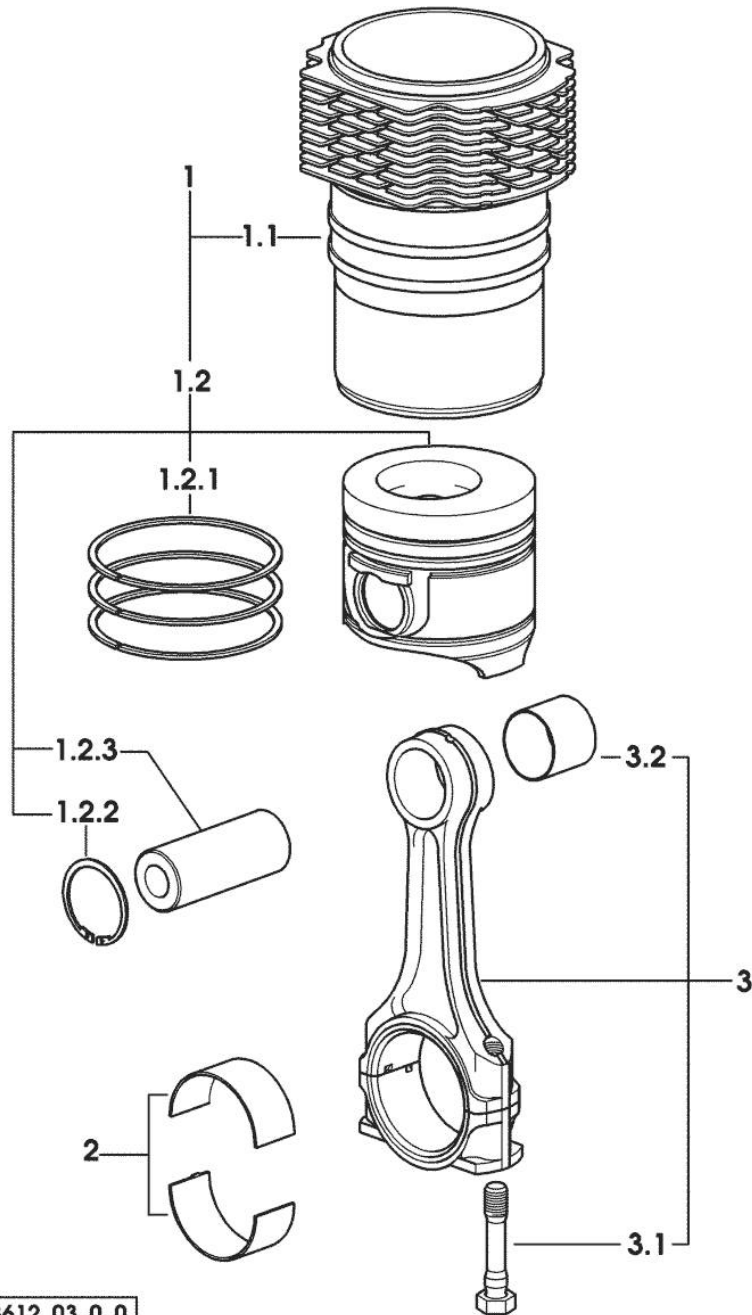
**CYLINDER - PISTON - CONNECTING ROD**

Fig.	P/n	QTY	Name
<b>Notes:</b>			
[H-355 F-XE]			
1	0.379.0065.A	3	cyl. piston assembly "A" - CLASS A
1	0.379.0065.B	3	cyl. piston assembly "B" - CLASS B
1.1	0.007.0762.0/50	1	engine cylinder 30845 <= X H-355 F-XE 2115 <= X H-365 F-XE
1.1	0.A13.0355.0	1	engine cylinder "A" => 30846 X H-355 F-XE => 2116 X H-365 F-XE - CLASS A
1.1	0.B13.0355.0	1	engine cylinder "B" => 30846 X H-355 F-XE => 2116 X H-365 F-XE - CLASS B
1.2	0.379.0060.6/10	1	complete piston 30845 <= X H-355 F-XE 2115 <= X H-365 F-XE
1.2	0.379.0060.A	1	complete piston "A" => 30846 X H-355 F-XE => 2116 X H-365 F-XE - CLASS A
1.2	0.379.0060.B	1	complete piston "B" => 30846 X H-355 F-XE => 2116 X H-365 F-XE - CLASS B
1.2.1	0.086.0052.6/10	1	piston ring set
1.2.2	2.1411.014.1	2	circlip 35
1.2.3	0.078.1236.0	1	piston pin Ø 18 / Ø 35 / L = mm 86
2	0.065.1225.0	6	con.rod half bushing STANDARD - A = 28.75 -> 29.00
2	0.065.1225.7	6	con.rod half bushing - mm 0.25
2	0.065.1225.8	6	con.rod half bushing - mm 0.50
3	0.078.1220.3/30	3	engine connecting rod
3.1	2.0399.213.0	2	screw m 12 p.1.25x61.5
3.2	2.1559.114.0/10	1	special bushing

Section: ENGINE

**CAMSHAFT**

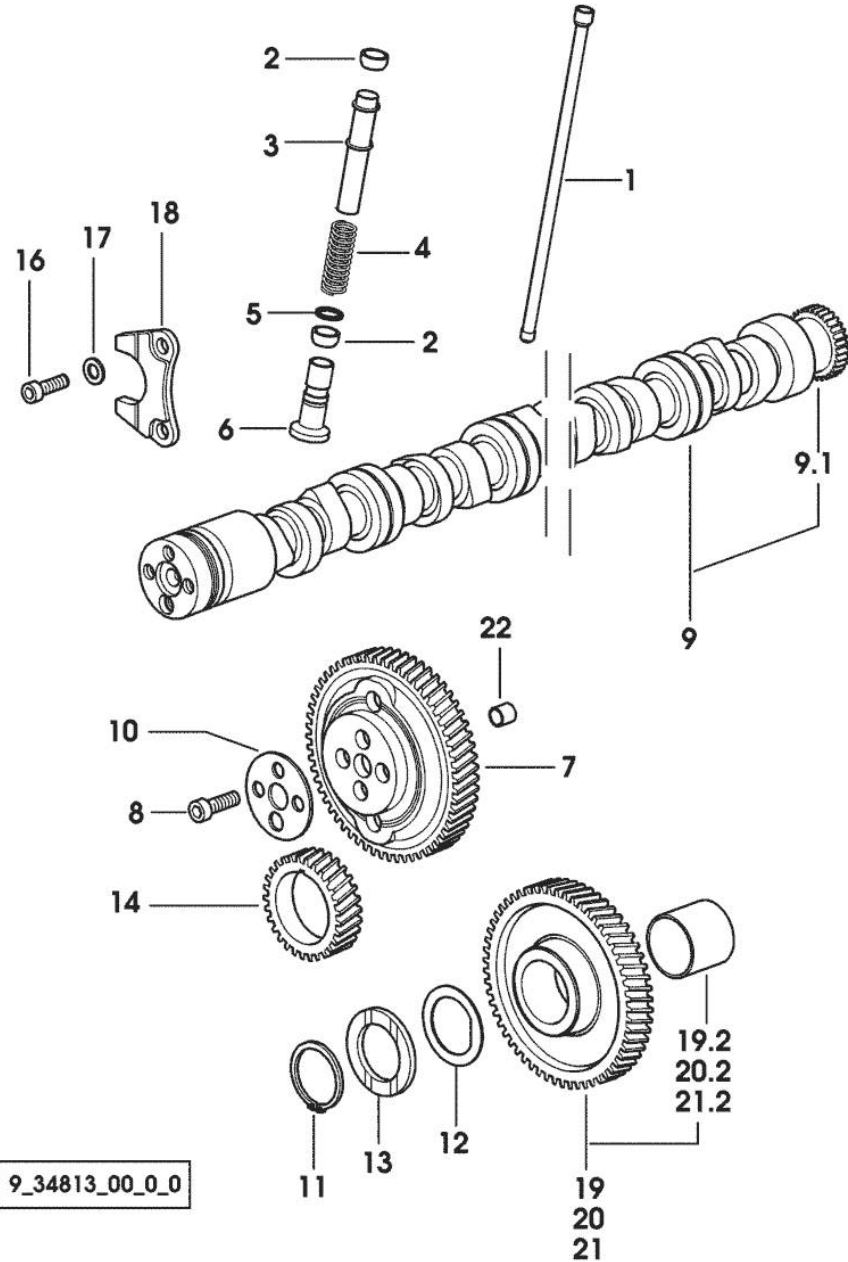


Fig.	P/n	QTY	Name
------	-----	-----	------

Notes:  
[H-355 F-XE]

1	0.065.1331.2	6	rod
2	2.1569.114.0/10	12	gasket 14x18.5x8
3	0.065.1332.0	6	sleeve
4	2.4019.300.1/10	6	spring 18.5x52x2
5	2.1599.437.0	6	shoulder ring
6	0.065.1330.0	6	tappets
7	0.065.1354.0/20	1	gear z=58
8	2.0132.207.2	4	screw m 10 p.1 x 25
9	0.070.1310.3/40	1	camshaft
9.1	0.065.1324.0/10	1	gear Z = 32
10	0.065.1350.0	1	small disc
11	2.1410.016.1	1	circlip 40
12	0.065.1352.0	1	shim
13	0.065.1351.0	2	shoulder ring
14	0.065.1323.0/30	1	gear Z = 29
16	2.0312.205.2	2	screw
17	2.1480.014.1	2	washer 8
18	0.065.1353.0	1	small plate
19	0.007.1177.3/20		gear z = 57 - WITH RED IDENTIFICATION STAMP
19.2	2.1559.185.0/10	1	bushing gear z = 57
20	0.007.1178.3/20		- WITH YELLOW IDENTIFICATION STAMP
20.2	2.1559.185.0/10	1	bushing
21	0.007.1179.3/20	1	gear z = 57 - WITH GREEN IDENTIFICATION STAMP
21.2	2.1559.185.0/10	1	bushing
22	2.1559.398.0	1	bushing 10.5x13x12

Section: ENGINE  
CYLINDER HEAD

9\_34814\_00\_0\_0

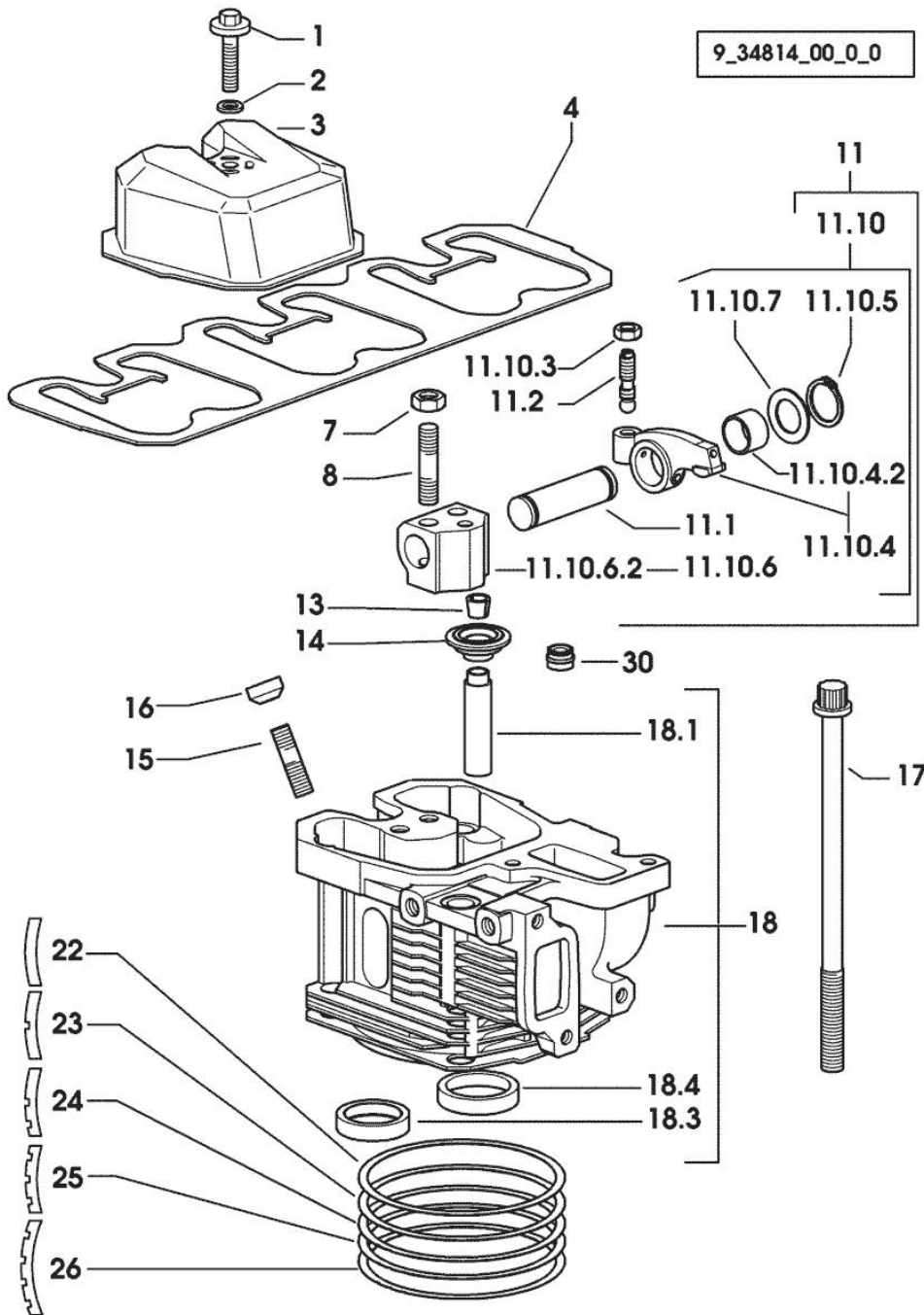


Fig.	P/n	QTY	Name
<b>Notes:</b> [H-355 F-XE]			
1	2.0399.130.2/10	3	screw m 8x36x44 50050 <- X H-355 F-XE 50007 <- X H-365 F-XE
1	2.0399.288.2/10	3	screw m 8x36x46 -> 50051 X H-355 F-XE -> 50008 X H-365 F-XE
2	2.1539.151.0	3	special oil seal 9.19 x 2.62 -> 50051 X H-355 F-XE -> 50008 X H-365 F-XE
2	2.1569.170.0/10	3	gasket 8.2 x 14 50050 <- X H-355 F-XE 50007 <- X H-365 F-XE
3	0.007.1139.0/10	3	small cap
4	0.069.1450.0/30	1	tappet gasket
7	2.1011.421.2	6	nut m 10 p.1.25
8	2.0432.163.7	6	stud bolt m 10 p.1.5 / p.1.25 x 45
11	0.000.0000.1		cannot be supplied
11.1	0.066.1431.0	1	pin
11.2	0.021.1434.0	2	screw
11.10	0.000.0000.1		cannot be supplied
11.10.3	2.1011.405.2	2	nut m 8 p.1
11.10.4	0.066.1432.3	2	rocker arm
11.10.4.2	2.1559.021.0/40	1	bushing 15x19x22
11.10.5	2.1410.055.7	2	circlip 19
11.10.6	0.000.0000.1		cannot be supplied
11.10.6.2	0.066.1430.0/10	1	support
11.10.7	2.1599.432.0	2	shoulder ring
13	0.074.1423.0	12	conical valve cotter
14	0.066.1425.0	6	cup
15	2.0432.161.7	3	stud bolt m 10 p.1.5 / p.1.25 x 40
16	0.007.1122.0/10	3	bush L = mm 6.4
17	0.065.1443.0/20	12	screw
18	0.007.1110.3/60	3	engine head
18.1	0.007.1779.0/20	2	valve guide
18.3	0.066.1427.0	1	valve seat
18.4	0.078.1426.0	1	valve seat
22	0.085.1450.0/10		head gasket mm 0.50
23	0.085.1451.0/10	3	head gasket mm 0.7
24	0.085.1452.0/10	1	head gasket mm 1.0
25	0.085.1453.0/10	1	head gasket mm 0.8
26	0.013.4598.0	3	head gasket mm 1.3



**Suggest:**

**For more complete manuals. Please go to the home page.**

**<https://www.ebooklibonline.com>**

**If the above button click is invalid. Please download this document first, and then click the above link to download the complete manual.**

**Thank you so much for reading**

Section: ENGINE  
CYLINDER HEAD

9\_34814\_00\_0\_0

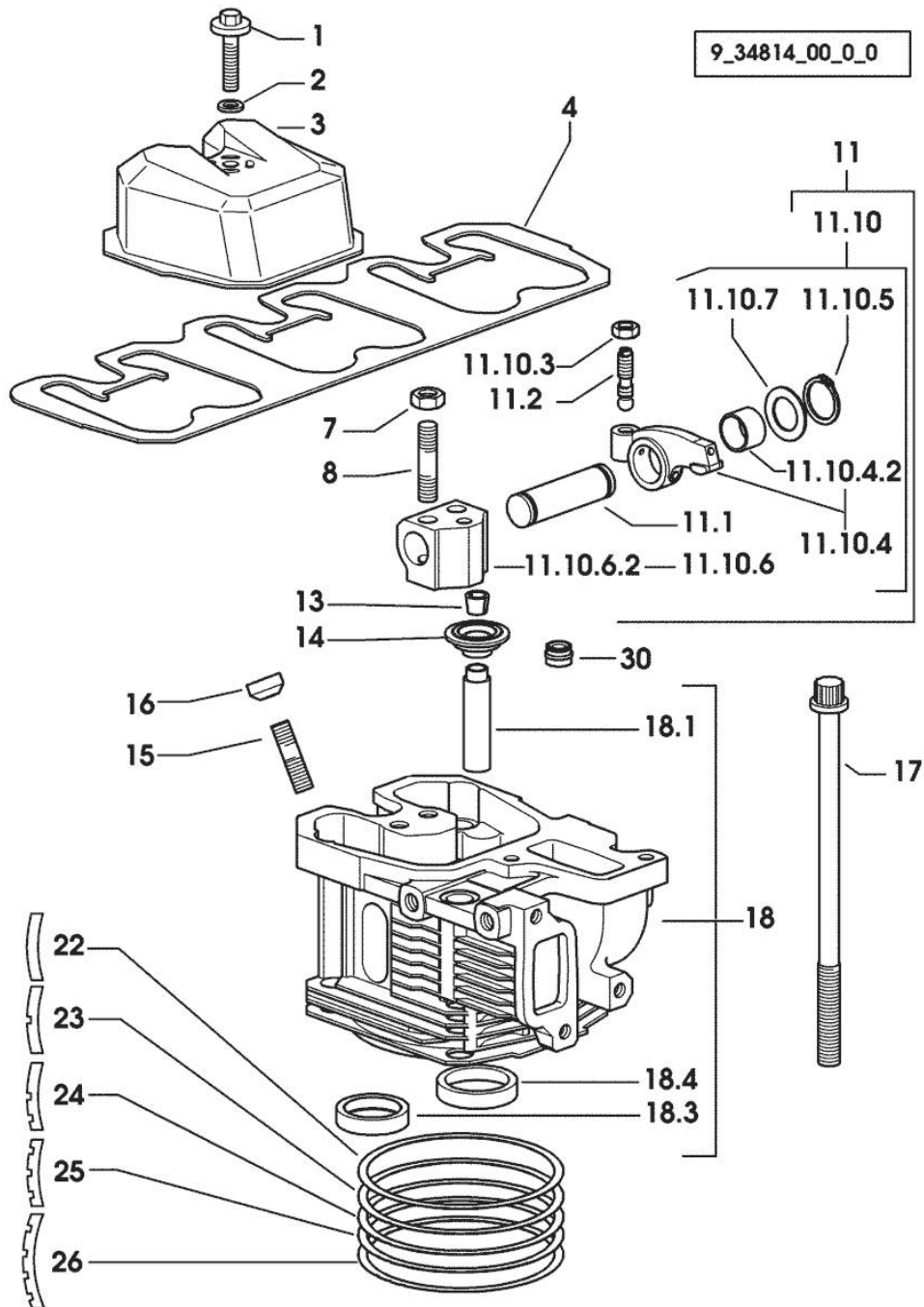


Fig.	P/n	QTY	Name
30	2.1519.117.0	6	special oil seal

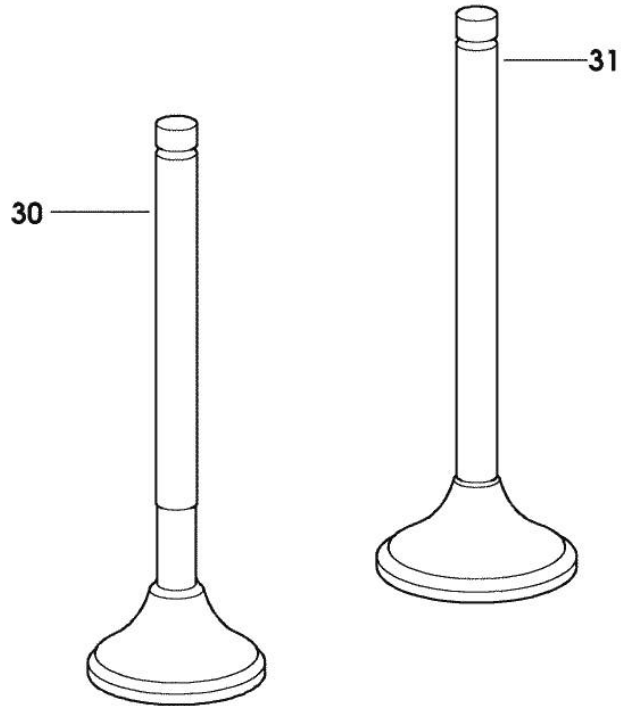
**INLET AND EXHAUST VALVES**

Fig.	P/n	QTY	Name
------	-----	-----	------

**Notes:**

[H-355 F-XE]

30	0.066.1421.0	3	exhaust valve
31	0.010.6016.0	3	inlet valve mm 43.63 / Ø mm 9



9\_34814\_02\_0\_0

**<https://www.ebooklibonline.com>**

Hello dear friend!

Thank you very much for reading.

Enter the link into your browser.

The full manual is available for immediate download.

**<https://www.ebooklibonline.com>**