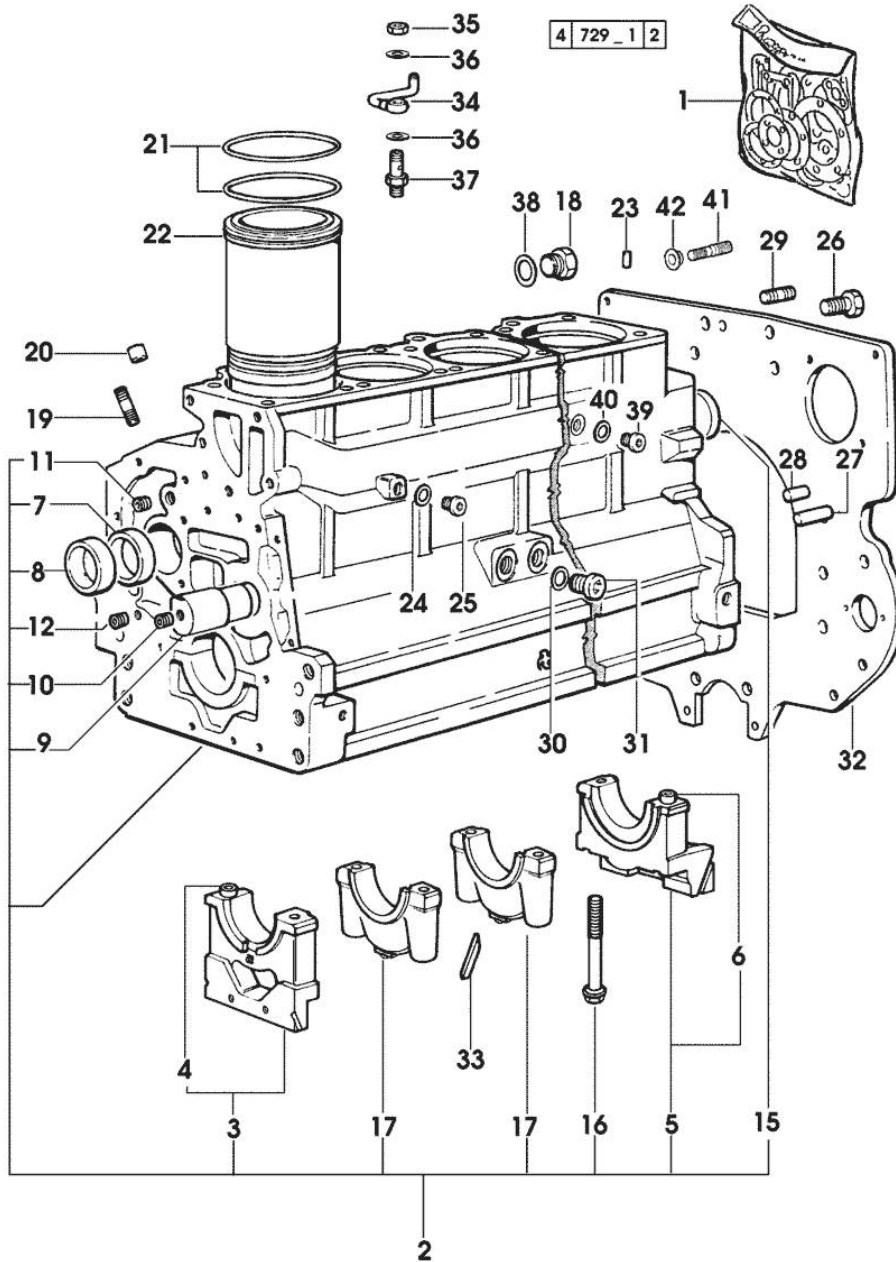


Section: ENGINE  
**CRANKCASE**

Fig.	P/n	QTY	Name
------	-----	-----	------

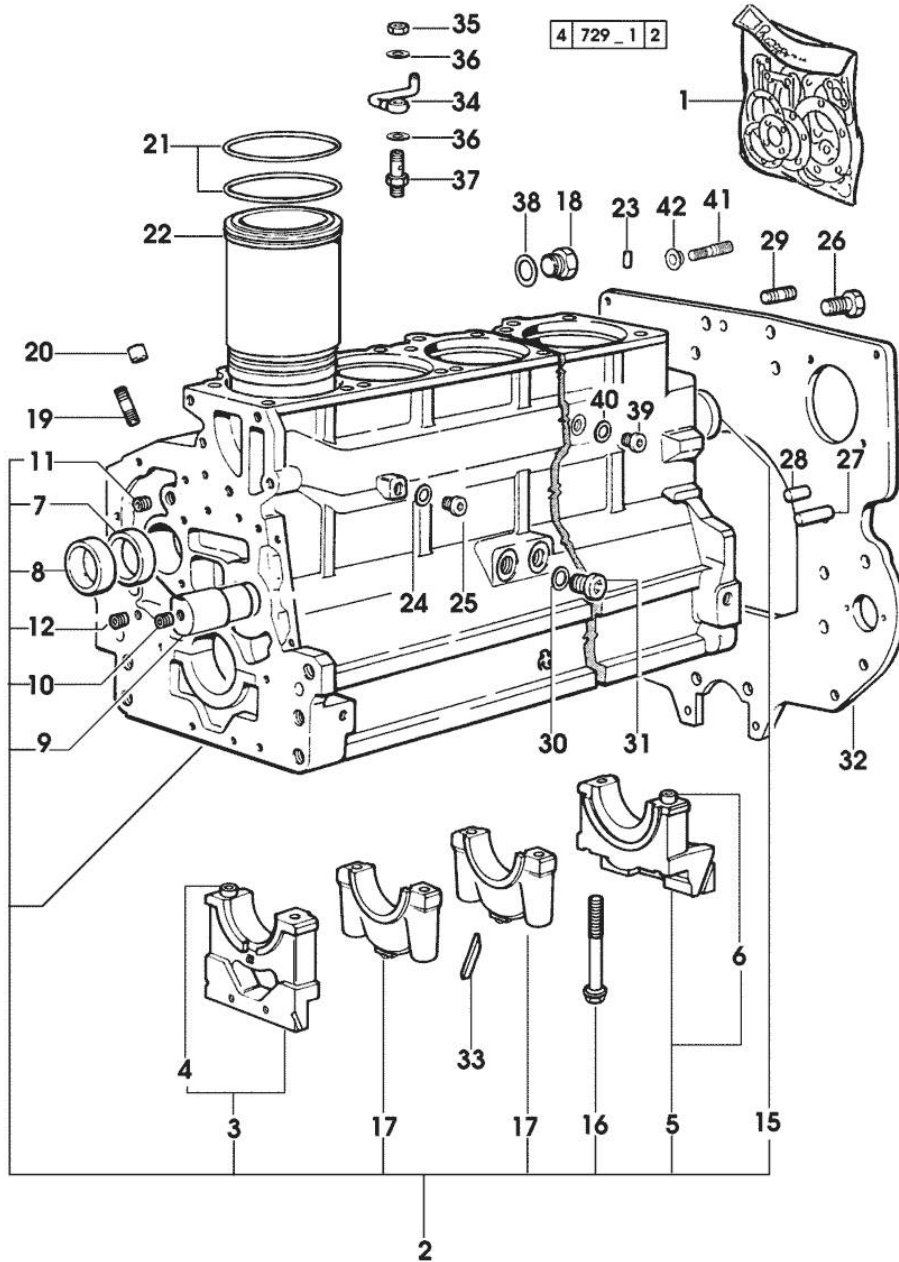
Notes:  
 [ELITE 6135-XB]

1	0.337.0050.6		gasket set - FOR ENGINE MOUNTING
2	0.007.1102.6/20	1	crankcase * 2808 <= X 115HP * 3142 <= X 135HP - N.6 011.0183.0/10 - N.12 2.1539.193.0
3	0.065.1112.7	1	support
4	2.1699.165.0	1	bush 12.3x15x16
5	0.007.0848.3/10	1	support
6	2.1699.165.0	1	bush 12.3x15x16
7	0.065.1141.0	1	special bushing 59X55X30
8	0.065.1140.0	6	special bushing 59X55X20
9	0.066.1151.0	1	pin
10	2.3130.001.1	14	plug 1/8" gas
11	2.3130.002.1	2	plug 1/4" gas
12	2.3130.003.1	8	plug 3/8" gas
15	2.3179.012.0	1	plug 60
16	0.065.1117.0	14	screw m 12 x 100
17	0.065.1114.0/10	5	support
18	2.3199.405.2	1	plug m 28 p.1.5
19	2.0432.003.7	18	stud bolt m 8 p.1.25 / p.1 x 20
20	2.1559.188.2	6	bush 11.4 x 14 x 16
21	2.1519.096.0/20	18	special oil seal 107.67x1.78 2808 <= X 115HP 3142 <= X 135HP
21	2.1539.193.0	12	special oil seal 107.62x2.62 => 2809 X 115HP => 3143 X 135HP
22	0.009.7500.0/10	6	engine cylinder 2086 <= X 115HP 1936 <= X 135HP
22	0.011.0183.0/20	6	engine cylinder => 2809 X 115HP => 3143 X 135HP
22	0.011.0582.0	6	engine cylinder => 2087 - 2808 <= X 115HP => 1937 - 3142 <= X 135HP
23	2.1549.154.2	6	bush 4.8x5.8x16
24	2.1560.010.0	1	gasket 14.2 x 20
25	2.3199.292.0	1	plug 1/4" gas
26	2.0112.511.1	8	screw m 14 p.2 x 30



CRANKCASE

Fig.	P/n	QTY	Name
27	2.1651.912.0	2	cylindrical plug 12x28
28	2.1651.917.0	1	cylindrical plug 12x40
29	2.0432.257.7	1	stud bolt m 12 p.1.75 - 1.25 x 30
30	2.1560.017.0	1	gasket 22.2 x 27
31	2.3120.002.4	1	plug m 22 x 1.5
32	0.007.0805.0/40	1	flange
33	0.066.1152.0/10	4	gasket
34	0.086.1550.2	6	sprayer nozzle
35	2.1099.108.2	6	special nut m 10 p.1
36	2.1560.006.0	12	gasket 10.2 x 16
37	0.065.1160.3/20	6	valve
38	2.1539.047.0	1	special oil seal 26.7x1.78
39	2.3120.101.0	1	plug m 18 p.1.5 => 2809 X 115HP => 3143 X 135HP
40	2.1560.014.0	1	washer 18.2 x 24
41	2.0439.250.7	1	stud bolt m 12 / m 10 x 30
42	0.011.9294.0/10	1	bush

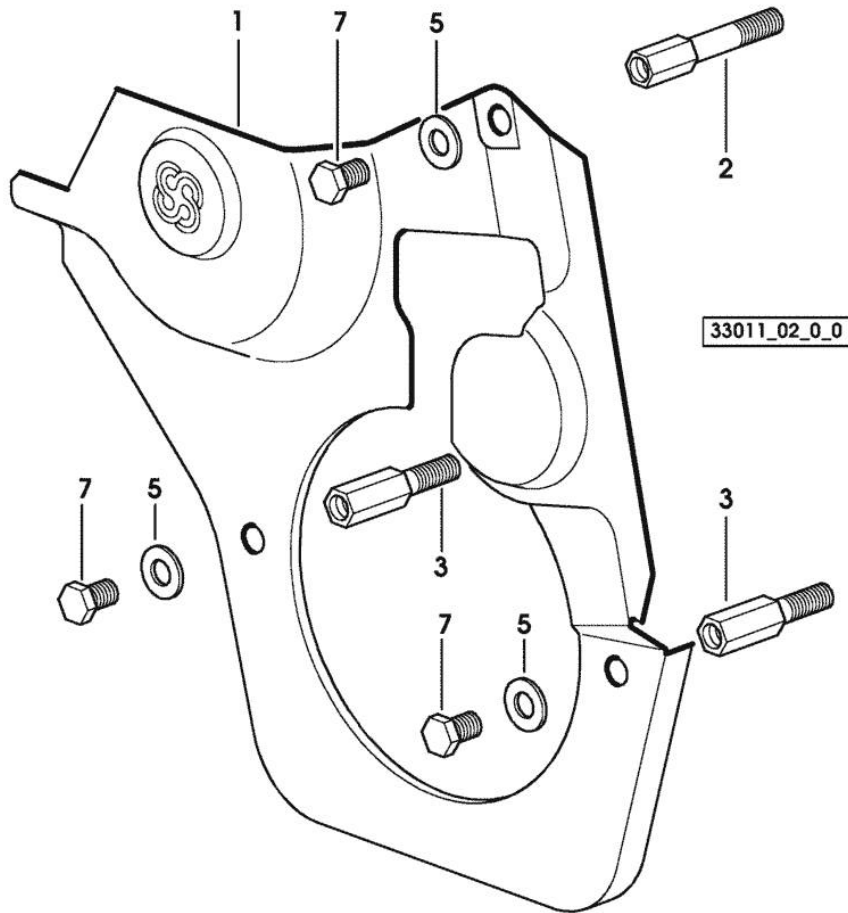


Section: ENGINE  
TIMING CASE

Fig.	P/n	QTY	Name
------	-----	-----	------

Notes:  
[ELITE 6135-XB]

1	0.007.1262.3/50	1	guard
2	0.007.1271.0/10	1	small column m 8 p.1.25 / L = mm 60
3	0.007.1272.0/10	2	small column m 8 p.1.25 / L = mm 50
5	2.1310.004.2	3	flat washer 8.4x17
7	2.0112.205.2	3	screw m 8 p.1.25 x 16



**<https://www.ebooklibonline.com>**

Hello dear friend!

Thank you very much for reading.

Enter the link into your browser.

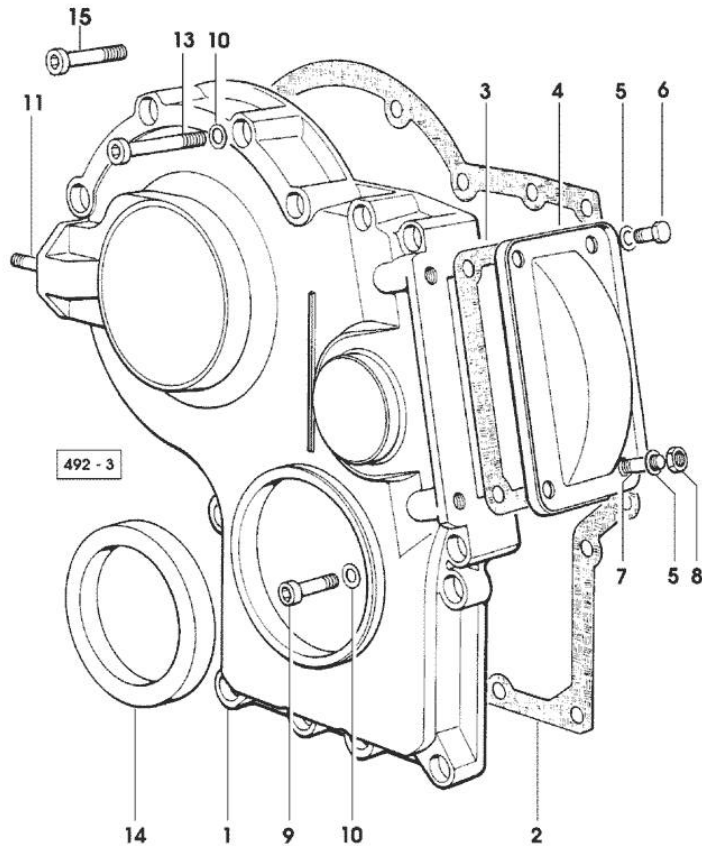
The full manual is available for immediate download.

**<https://www.ebooklibonline.com>**

Section: ENGINE  
TIMING CASE

Fig.	P/n	QTY	Name
------	-----	-----	------

Notes:  
[ELITE 6135-XB]



1	0.065.1132.0/60	1	guard
2	0.065.1150.0/30	1	gasket
3	0.065.1152.0	1	gasket
4	0.065.1151.0	1	cover
5	2.1470.004.2	4	lock washer 8
6	2.0112.205.2	2	screw m 8 p.1.25 x 16
7	2.0432.003.7	2	stud bolt m 8 p.1.25 / p.1 x 20
8	2.1011.405.2	2	nut m 8 p.1
9	2.0312.208.2	8	screw m 8 p.1.25 x 25
10	2.1480.014.1	15	washer 8
11	2.0432.003.7	2	stud bolt m 8 p.1.25 / p.1 x 20
13	2.0312.214.2	3	screw m 8 p.1.25 x 40
14	2.1529.141.0	1	special oil seal
15	2.0312.219.2	4	screw m 8 p.1.25x65

Section: ENGINE

**CRANKSHAFT**

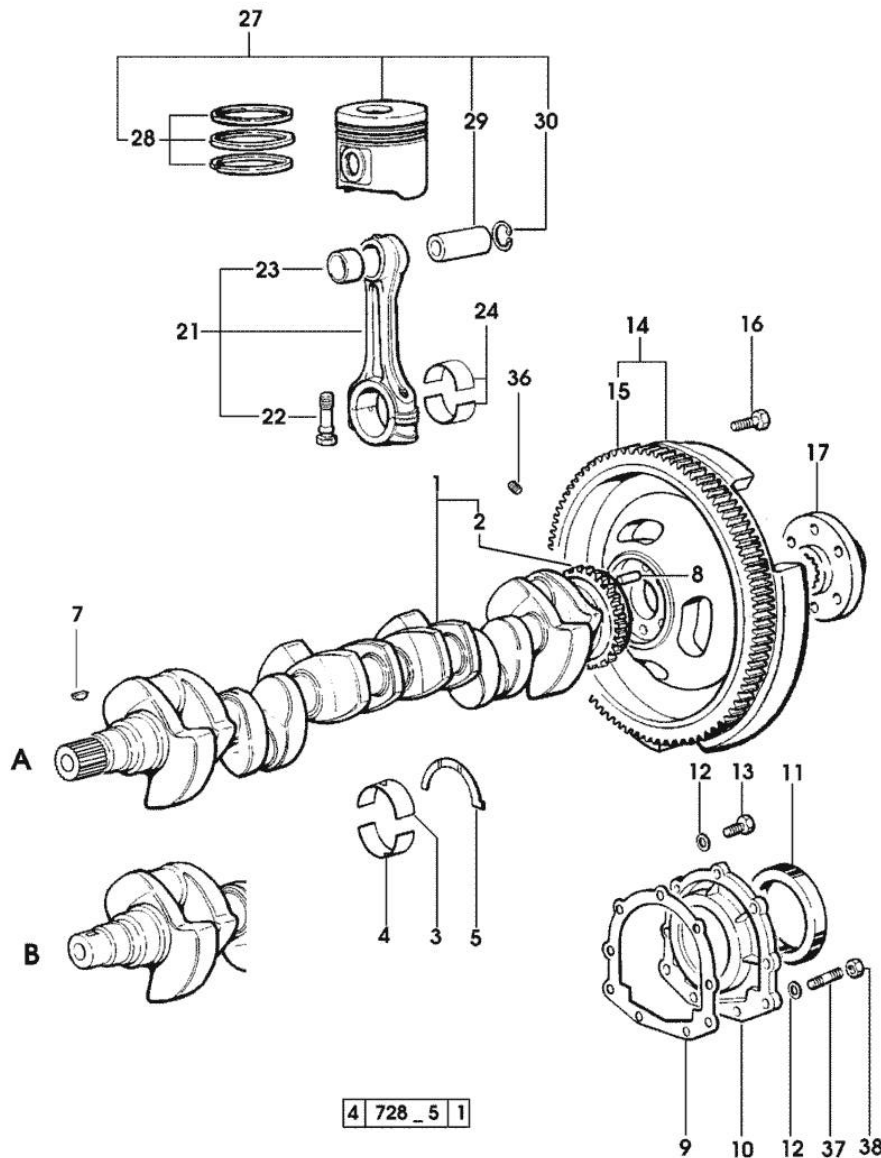


Fig.	P/n	QTY	Name
<b>Notes:</b> [ELITE 6135-XB]			
1	0.010.4320.3/20	1	crankshaft (...) <- = " B " * N.1 011.2206.0/10
2	0.007.0855.0	1	gear
3	0.065.1215.0	7	main half bushing STANDARD
3	0.065.1215.7		main half bushing - mm 0.25
3	0.065.1215.8		main half bushing - mm 0.50
4	0.065.1216.0	7	main half bushing
4	0.065.1216.7		main half bushing - mm 0.25
4	0.065.1216.8		main half bushing - mm 0.50
5	0.065.1218.0	4	shim STANDARD
5	0.065.1218.7		shim + mm 0.10
5	0.065.1218.8		shim + mm 0.15
7	2.1720.006.0	1	key 4x6.5
8	2.1652.915.0	1	cylindrical plug 12x35
9	0.065.1254.0/20	1	gasket
10	0.007.0851.0/10	1	cover
11	2.1529.073.0	1	special oil seal 110x130x13
12	2.1475.002.2	9	conical washer 8
13	2.0112.207.2	7	screw m 8 p 1.25 x 20
14	0.007.1702.3/30	1	flywheel
15	0.065.1242.0	1	crown wheel Z = 123
16	2.0139.022.2	6	screw m 12 p.1.25x55
17	0.288.3625.0	1	flange
21	0.078.1220.3/30	6	engine connecting rod
22	2.0399.213.0	12	screw m 12 p.1.25x61.5
23	2.1559.114.0/10	6	special bushing
24	0.065.1225.0	12	con.rod half bushing STANDARD - A = 28.75 -> 29.00
24	0.065.1225.7		con.rod half bushing - mm 0.25
24	0.065.1225.8		con.rod half bushing - mm 0.50
27	0.087.0060.6/10	6	complete piston
27	0.382.0060.6	6	complete piston - EXPORT U.S.A.
28	0.081.0090.6/10	1	piston ring set
29	0.078.1236.0	6	piston pin Ø 18 / Ø 35 / L = mm 86
30	2.1411.014.1	12	circlip 35
36	2.3130.001.1	6	plug 1/8" gas
37	2.0432.003.7	2	stud bolt m 8 p.1.25 / p.1 x 20
38	2.1011.105.2	2	nut m 8 p.1.25

**ENGINE SHAFT - PULLEYS**

4 | 729\_6 | 2

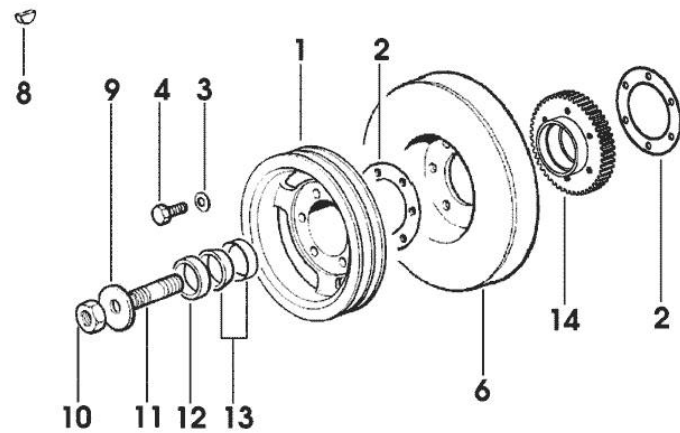
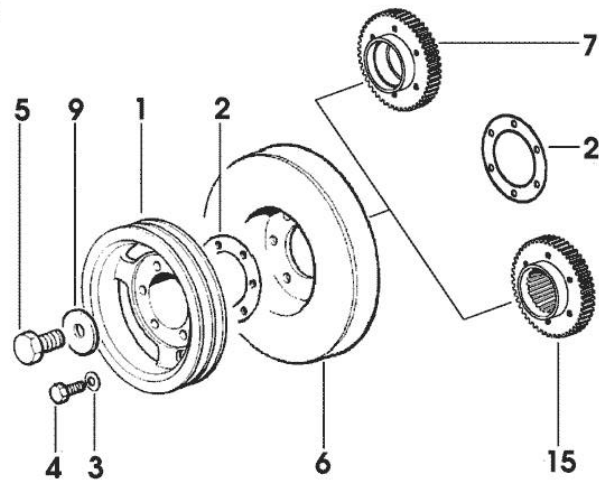
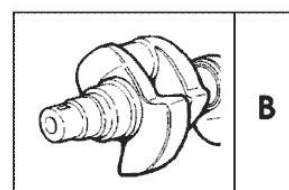
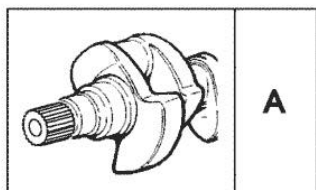


Fig.	P/n	QTY	Name
------	-----	-----	------

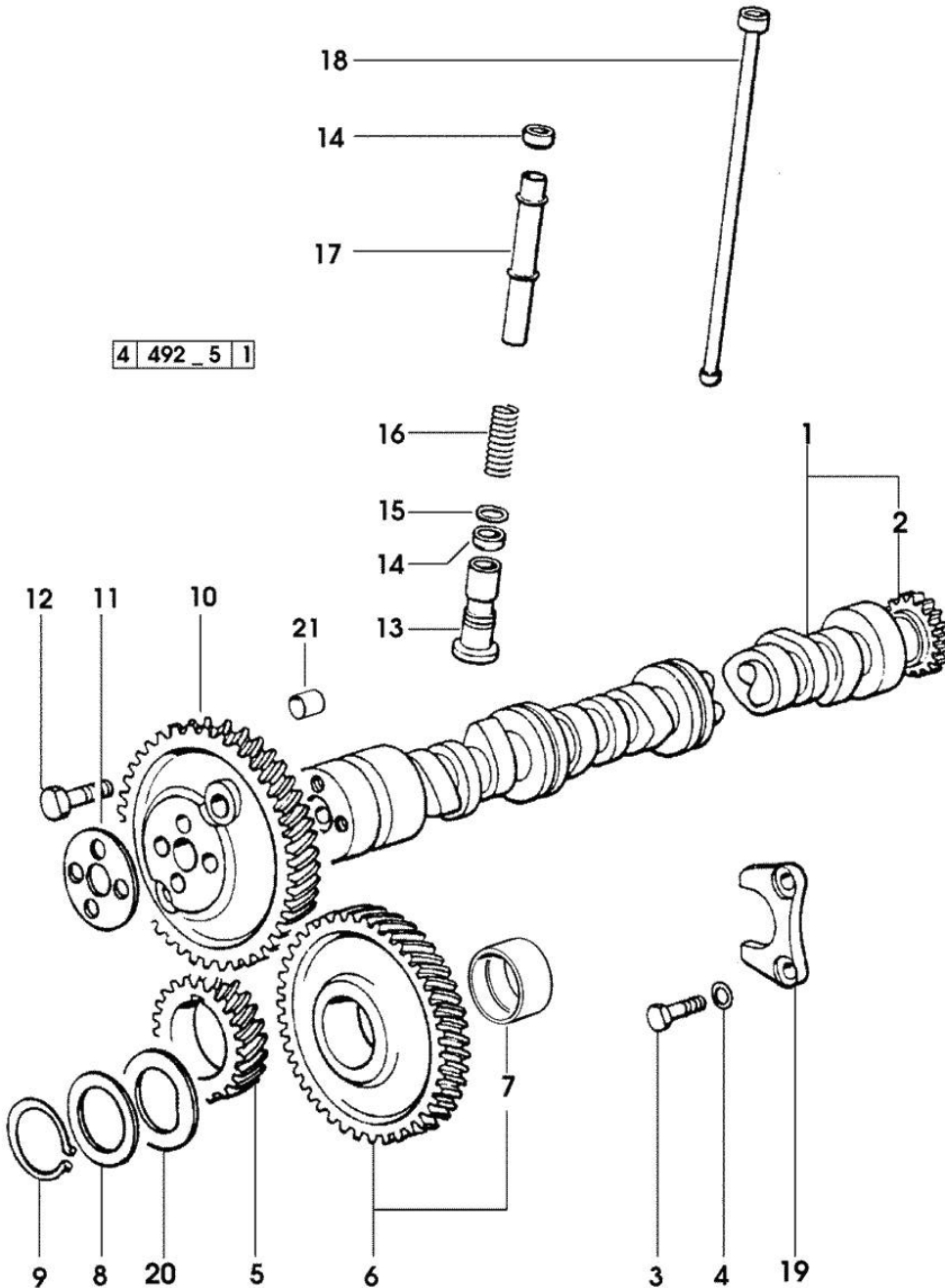
Notes:  
[ELITE 6135-XB]

1	0.007.0962.0/20	1	pulley
2	2.1589.136.0		shoulder ring 71x110x0.5
2	2.1589.137.0		shoulder ring 71x110x1
3	2.1470.006.2	6	lock washer 10
4	2.0112.322.2	6	screw m 10 p.1.5x65
5	2.0399.144.7/10	1	screw m 20 p.1.5x51
6	0.007.1010.3	1	antivibration pulley
7	0.011.2140.0/10	1	hub
			- X B (...) <=
8	2.1720.006.0	1	key 4x6.5
			- X B (...) <=
9	2.1599.524.7	1	washer 21x60x12
10	2.1019.094.7	1	nut m 20 p.1.5
			- X B (...) <=
11	2.0439.195.7	1	stud bolt m 20 p.1.5x80
			- X B (...) <=
12	2.1579.949.0	1	ring 50.2x56.8x8
			- X B (...) <=
13	0.035.1263.0	2	ring
			- X B (...) <=
14	0.011.2141.0/10	1	hub
			- FOR MODELS EQUIPPED WITH FRONT P.T.O.
			- X B (...) <=
15	0.011.2206.0/10	1	hub
			- X A => (...)



Section: ENGINE

**CAMSHAFT**



4 492\_5 1

Fig.	P/n	QTY	Name
------	-----	-----	------

Notes:  
[ELITE 6135-XB]

1	0.010.4968.3/10	1	camshaft - EXPORT U.S.A.
1	0.075.1310.3/30	1	camshaft
2	0.065.1324.0/10	1	gear Z = 32
3	2.0312.206.2	2	screw m 8 p 1.25 x 20
4	2.1480.014.1	2	washer 8
5	0.007.1188.0/20	1	gear Z = 29
6	0.007.1177.3/10	1	gear z = 57 - WITH RED IDENTIFICATION STAMP
6	0.007.1178.3/10		gear z = 57 - WITH YELLOW IDENTIFICATION STAMP
6	0.007.1179.3/10		gear z = 57 - WITH GREEN IDENTIFICATION STAMP
7	2.1559.185.0/10	1	bushing
8	0.065.1352.0	1	shim
9	2.1410.016.1	1	circlip 40
10	0.065.1354.0/20	1	gear z=58
11	0.065.1350.0	1	small disc
12	2.0132.207.2	4	screw m 10 p.1 x 25
13	0.065.1330.0	12	tappets
14	2.1569.114.0/10	24	gasket 14x18.5x8
15	2.1599.437.0	12	shoulder ring
16	2.4019.300.1/10	12	spring 18.5x52x2
17	0.065.1332.0	12	sleeve
18	0.065.1331.2	12	rod
19	0.065.1353.0	1	small plate
20	0.065.1351.0	2	shoulder ring
21	2.1559.398.0	1	bushing 10.5x13x12

Section: ENGINE  
CYLINDER HEAD

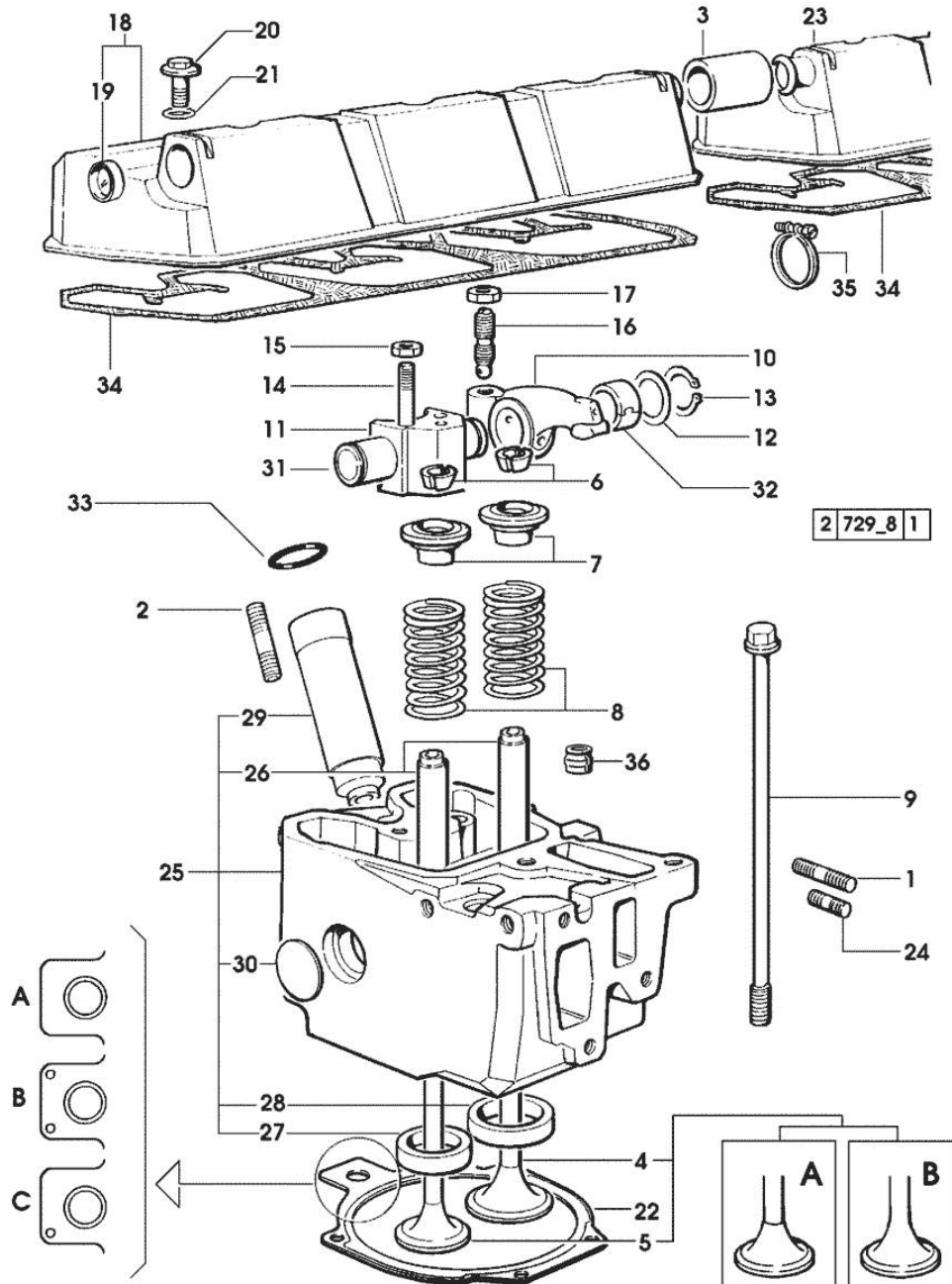


Fig.	P/n	QTY	Name
<b>Notes:</b> [ELITE 6135-XB]			
1	2.0432.011.7	6	stud bolt m 8 p.1.25 / p.1 x 40
2	2.0432.161.7	6	stud bolt m 10 p.1.5 / p.1.25 x 40
3	0.075.1452.0/10	1	sleeve
4	0.010.6016.0	6	inlet valve mm 43.63 / Ø mm 9 - X 115HP
4	0.010.6017.0	6	inlet valve mm 43.63 / Ø mm 9 - X 135 HP -> (...) = B
4	0.081.1420.0	6	inlet valve Ø mm 9 - X 135 HP (...) <- = A
5	0.010.6022.0	6	exhaust valve mm 39.1 / Ø mm 9 - X 135 HP -> (...) = B
5	0.066.1421.0	6	exhaust valve - X 115HP - X 135 HP (...) <- = A
6	0.074.1423.0	24	conical valve cotter
7	0.066.1425.0	12	cup
8	2.4019.287.0	12	spring
9	0.066.1443.0/10	24	screw
10	0.066.1432.0	12	rocker arm
11	0.066.1430.0/10	6	support
12	2.1599.432.0	12	shoulder ring
13	2.1410.055.1	12	circlip 19
14	2.0432.163.7	6	stud bolt m 10 p.1.5 / p.1.25 x 45
15	2.1011.421.2	12	nut m 10 p.1.25
16	0.021.1434.0	12	screw
17	2.1011.405.2	12	nut m 8 p.1
18	0.078.1440.3	1	cover
19	2.3171.008.4	1	plug 20
20	2.0399.130.2/10	6	screw m 8x36x44
21	2.1532.035.0	6	oil seal 14x1.78
22	0.078.1451.0/40	6	head gasket -A-
22	0.078.1452.0/30	6	head gasket -B-
22	0.078.1453.0/40	6	head gasket -C-
23	0.078.1450.3	1	cover
24	2.0432.005.7	6	stud bolt m 8 p.1.5 / p.1 x 25
25	0.007.1360.3/60	6	head - X 135 HP -> (...) = B - X 115HP - X 135 HP (...) <- = A
25	0.012.2693.3/10	6	engine head
26	0.007.1779.0/10	12	valve guide

Section: ENGINE  
CYLINDER HEAD

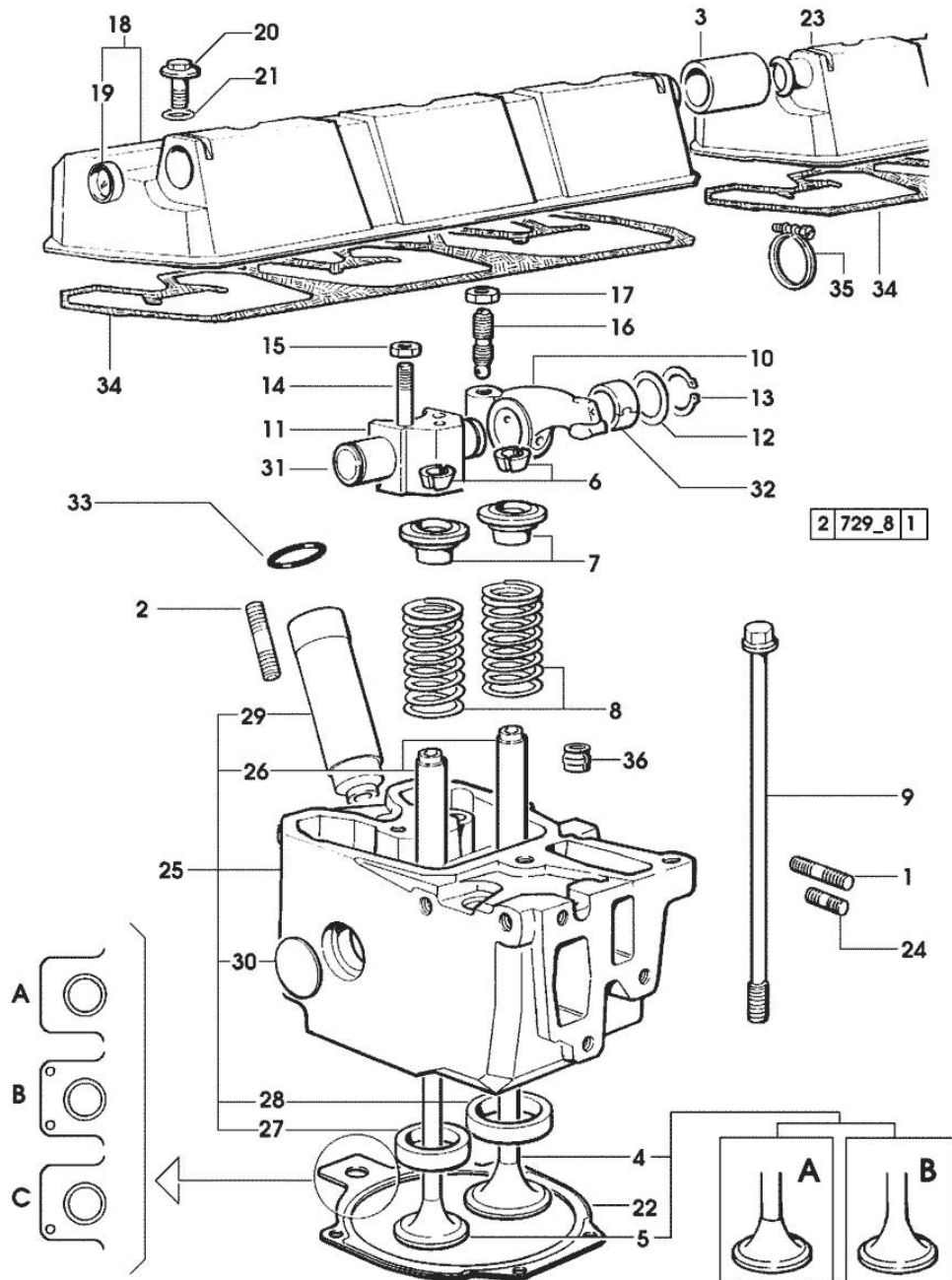


Fig.	P/n	QTY	Name
27	0.066.1427.0	6	valve seat
28	0.078.1426.0	6	valve seat
29	0.010.6041.0	6	bush
30	2.3170.012.1	12	expansion plug 30
31	0.066.1431.0	6	pin
32	2.1559.021.0/40	12	bushing 15x19x22
33	2.1530.051.0	6	oil seal 20.22x3.53
34	0.009.3877.0/10	2	tappet gasket
35	2.6859.052.2	2	clamp
36	2.1519.117.0	12	special oil seal

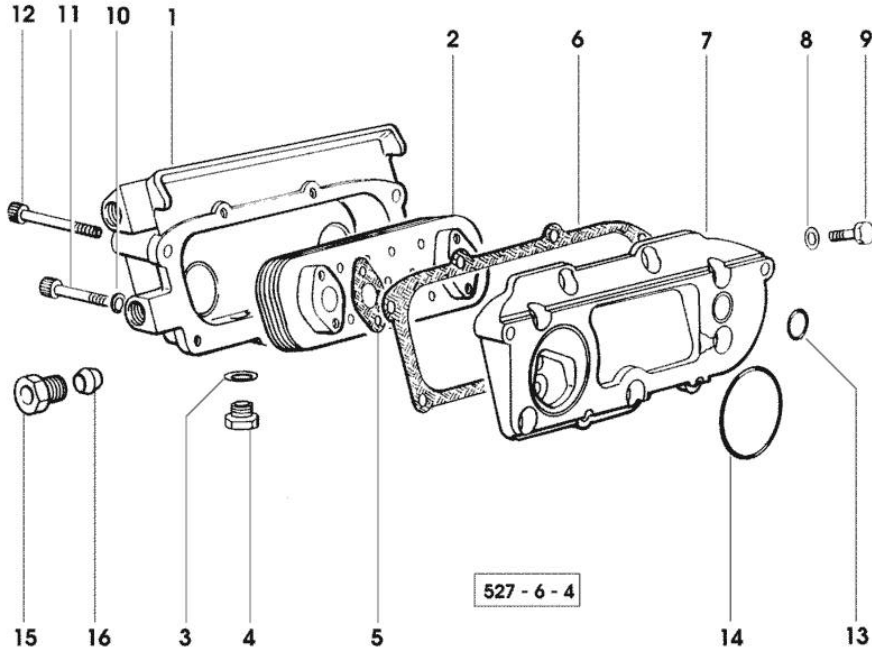


Section: ENGINE  
**LUBRICATION**

Fig.	P/n	QTY	Name
------	-----	-----	------

Notes:  
 [ELITE 6135-XB]

1	0.007.0703.0/10	1	box
2	0.007.1239.3	1	radiator
3	2.1560.014.0	1	washer 18.2 x 24
4	2.3120.101.0	1	plug m 18 p.1.5
5	0.078.1557.0/10	2	gasket
6	0.078.1556.0/10	1	gasket
7	0.078.1555.0/10	1	plate
8	2.1310.004.2	8	flat washer 8.4x17
9	2.0112.205.2	8	screw m 8 p.1.25 x 16
10	2.1480.014.1	4	washer 8
11	2.0312.220.1	2	screw m 8 p.1.25x70
12	2.0312.222.2	2	screw m 8 p.1.25 x 80
13	2.1539.048.0	1	special oil seal 20.35x1.78
14	2.1539.050.0	1	special oil seal 69.57x1.78
15	2.3249.023.1	2	pipe fitting m 24 p.2
16	2.3350.008.1	2	nosepiece 18



Section: ENGINE  
**LUBRICATION**

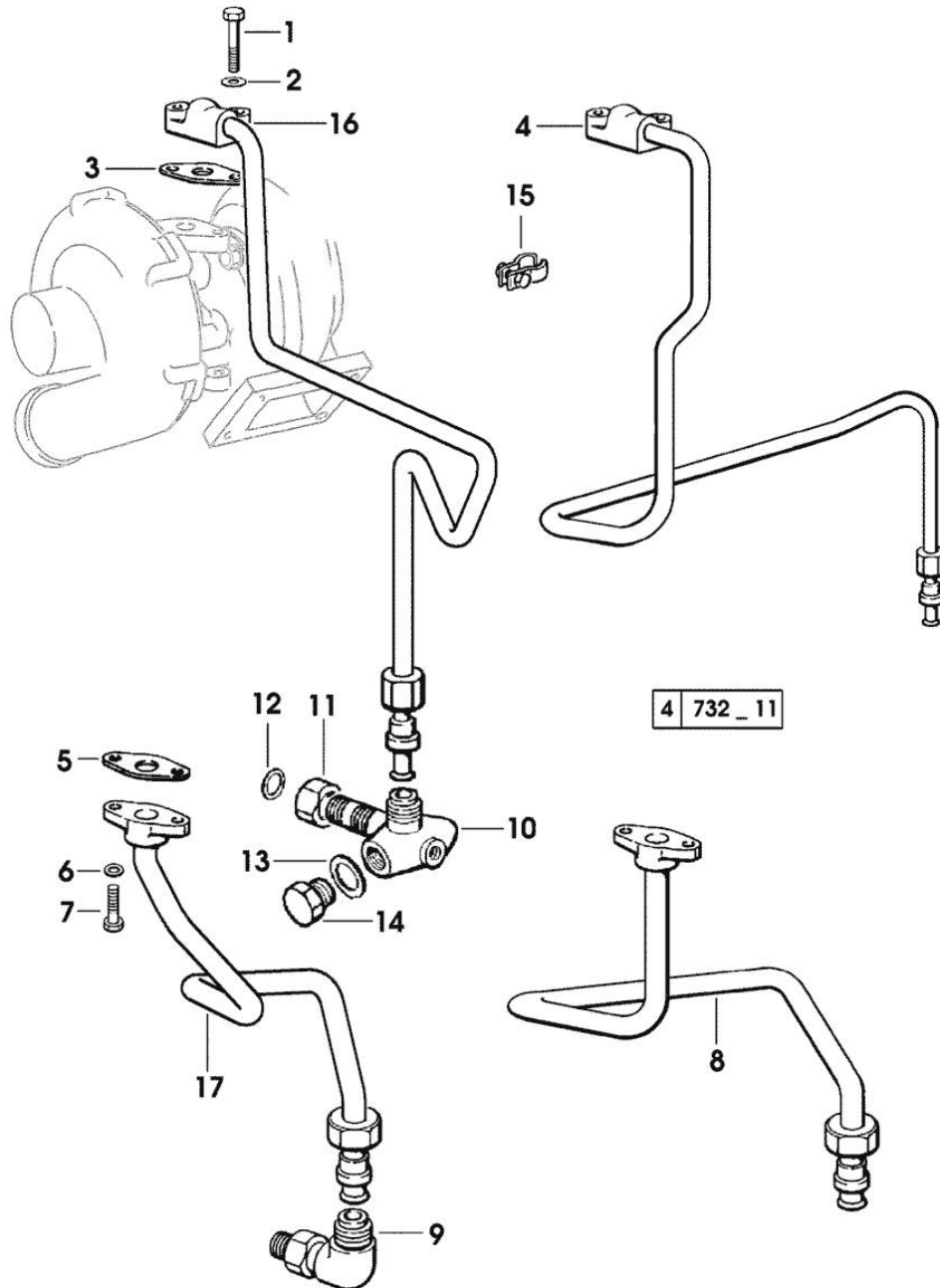


Fig.	P/n	QTY	Name
------	-----	-----	------

Notes:  
 [ELITE 6135-XB]

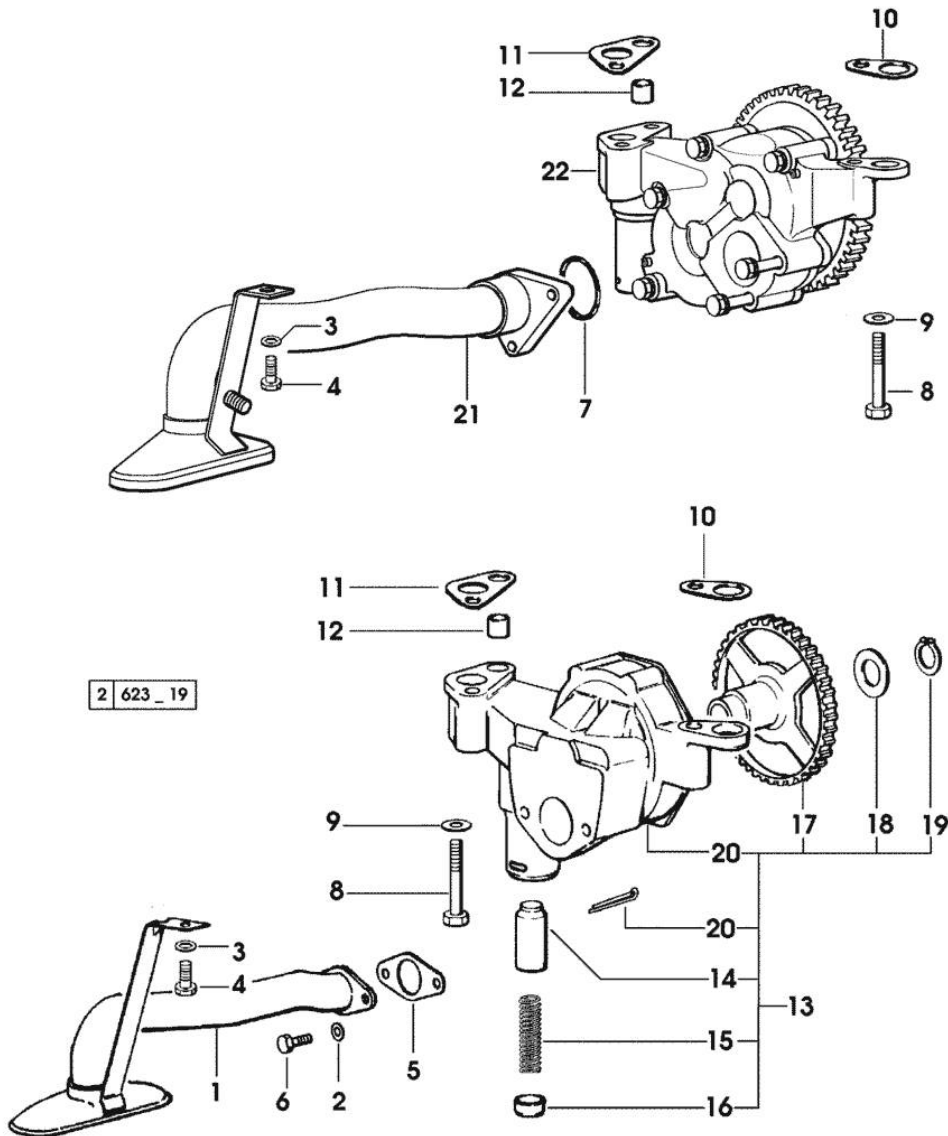
1	2.0312.212.2	2	screw m 8 p.1.25 x 35
2	2.1480.014.1	2	washer 8
3	0.052.1557.0	1	gasket
4	0.007.1300.3	1	tube (...) <=
5	0.052.1558.0/10	1	gasket
6	2.1470.004.2	2	lock washer 8
7	2.0112.207.2	2	screw m 8 p 1.25 x 20
8	0.007.1301.3	1	tube (...) <=
9	2.3264.021.2	1	pipe fitting m 22 p.1.5 - 1" 1/16
10	2.3339.673.0/10	1	pipe fitting
11	2.1019.129.2/10	1	nut m 18 p.1.5x12
12	2.1530.038.0	1	oil seal 15.54x2.62
13	2.1560.010.0	1	gasket 14.2 x 20
14	2.3110.403.1	1	plug m 14 p.1.5x12
15	0.007.1317.4	1	bracket
16	0.010.0957.3	1	tube => (...)
17	0.010.0958.3	1	tube => (...)

Section: ENGINE  
LUBRICATION

Fig.	P/n	QTY	Name
------	-----	-----	------

Notes:  
[ELITE 6135-XB]

1	0.007.1312.3	1	tube (...) <-
2	2.1470.004.2	2	lock washer 8
3	2.1470.004.2	1	lock washer 8
4	2.0112.205.2	1	screw m 8 p.1.25 x 16
5	0.007.0997.0	1	gasket (...) <-
6	2.0112.207.2	2	screw m 8 p 1.25 x 20
7	2.1539.153.0	1	oil seal 32.99x2.6 -> (...)
8	2.0112.322.2	3	screw m 10 p.1.5x65
9	2.1310.006.2	3	flat washer 10.5x21
10	0.007.0972.0	2	shim
11	0.007.0973.0	2	shim
12	0.007.0867.0	1	bush
13	0.000.0000.1	1	cannot be supplied * (...) <- - N.1 - 010.0194.4/30 - 011.0087.4 - 2.1539.153.0
14	0.007.1371.0	1	piston
15	0.007.1373.0	1	spring
16	0.007.1372.0	1	cup
17	0.007.1438.0/10	1	gear
18	0.007.1437.0	1	washer
19	0.007.1436.0	1	circlip
20	0.000.0000.1	1	cannot be supplied
21	0.011.0087.4	1	tube -> (...)
22	0.010.0194.4/30	1	oil pump -> (...) ☞ 0.010.0194.4/30 ☞ 01.00.37





**Suggest:**

**For more complete manuals. Please go to the home page.**

**<https://www.ebooklibonline.com>**

**If the above button click is invalid. Please download this document first, and then click the above link to download the complete manual.**

**Thank you so much for reading**

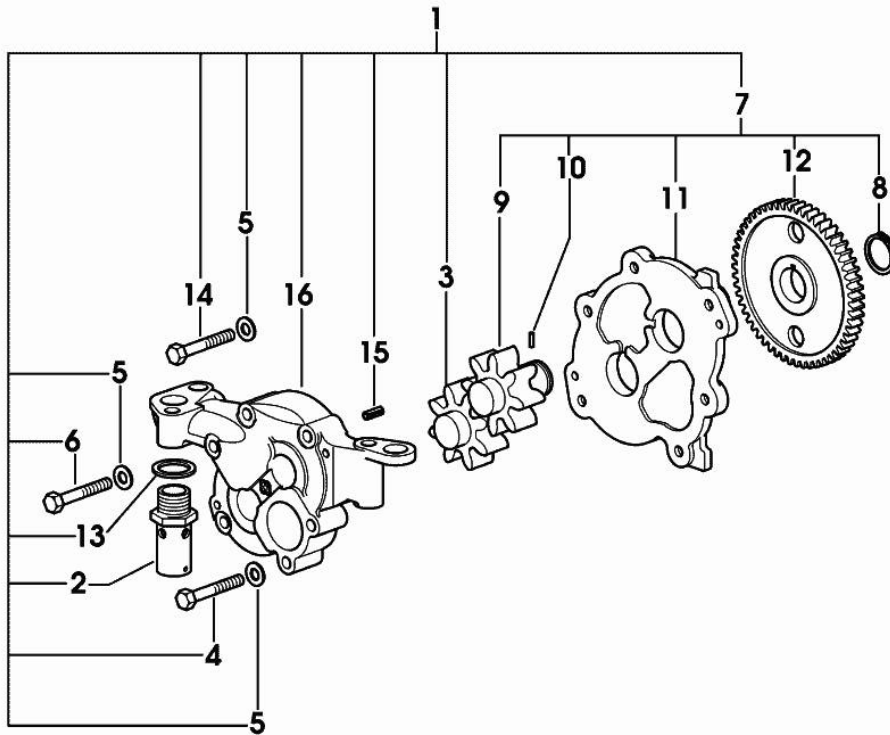
Section: ENGINE

**OIL PUMP**

Fig.	P/n	QTY	Name
------	-----	-----	------

Notes:  
[ELITE 6135-XB]

1	0.010.0194.4/30	1	oil pump ☞ 0.010.0194.4/30
2	0.007.0866.3/10	1	valve
3	0.010.1709.0	1	gear z=8
4	2.0112.220.2	2	screw m 8 p.1.25x55
5	2.1475.002.7	6	washer 8.4
6	2.0112.219.2	2	screw m 8 p.1.25x55
7	0.010.0195.3/20	1	cover
8	2.1410.064.7	1	circlip
9	0.010.1708.0/20	1	gear z=8
10	2.1651.204.0	1	pin 3x10
11	0.000.0000.1		cannot be supplied
12	0.000.0000.1		cannot be supplied
13	2.1560.020.0	1	copper gasket 24.3x32
14	2.0112.217.2	2	screw m 8 p.1.25 x 45
15	2.1630.608.0	2	pin 6x16
16	0.000.0000.1		cannot be supplied



0\_010\_0194\_4\_30

Section: ENGINE  
**LUBRICATION**

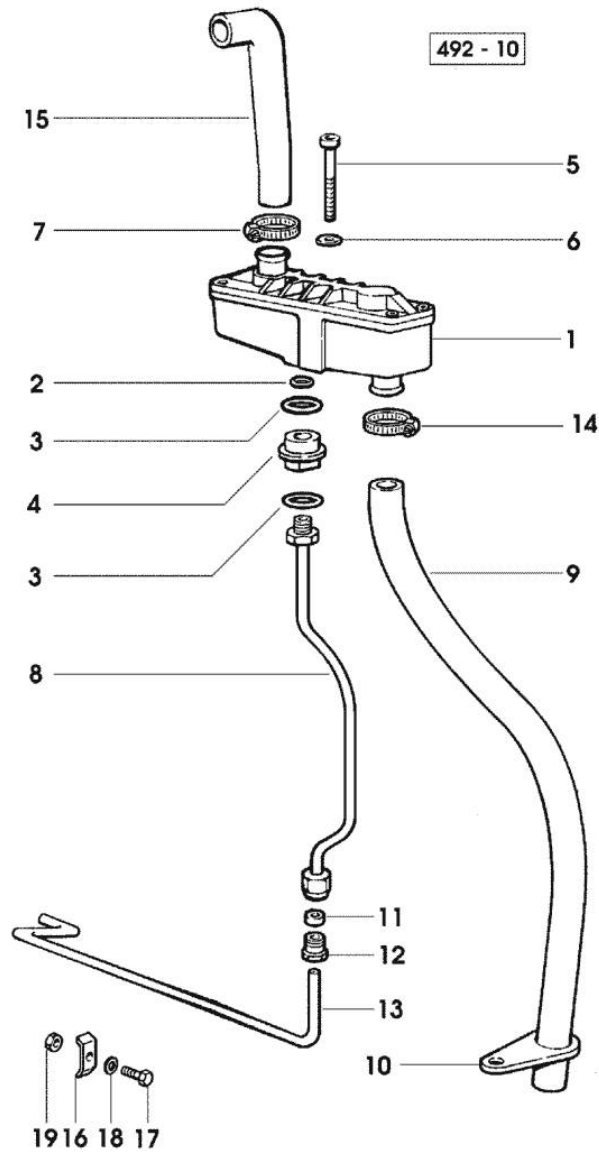


Fig.	P/n	QTY	Name
------	-----	-----	------

Notes:  
 [ELITE 6135-XB]

1	0.075.1557.4	1	sediment bowl ☞ 01.00.46
2	2.1560.008.0	1	gasket 12.2 x 18
3	2.1539.072.0	2	special oil seal 23.52 x 1.78
4	0.075.1553.0	1	bush
5	2.0312.221.2	2	screw m 8 p.1.25x75
6	2.1480.014.1	2	washer 8
7	2.6859.086.0	2	clamp
8	0.007.0861.0	1	tube
9	0.075.1554.0	1	tube
10	0.075.1151.0	1	bracket
11	2.3350.003.1	1	nosepiece 8
12	2.3339.418.1	1	pipe fitting m 12 p.1
13	0.007.0970.0	1	tube
14	2.6859.086.0	1	clamp
15	0.075.1453.0/10	1	tube
16	0.002.8816.0	1	small plate
17	2.0112.007.2	1	screw m 6 p.1 x 20
18	2.1310.002.2	1	flat washer 6.4x12.5
19	2.1011.103.2	1	nut m 6 p.1

**<https://www.ebooklibonline.com>**

Hello dear friend!

Thank you very much for reading.

Enter the link into your browser.

The full manual is available for immediate download.

**<https://www.ebooklibonline.com>**