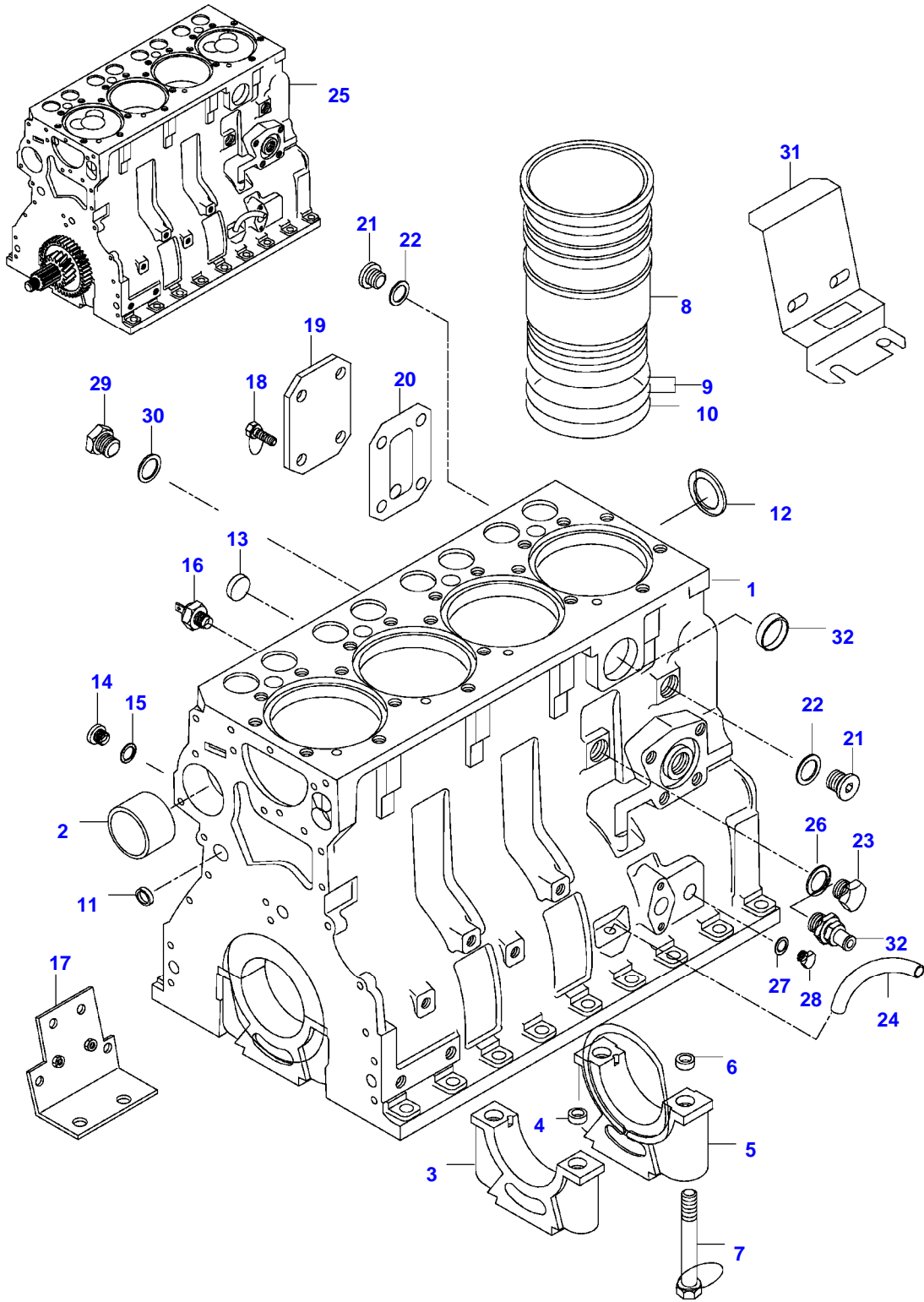


Page Number	Page Title	Page Reference
01-000-TOC	ENGINE, FUEL AND EXHAUST SYSTEM	01-000-TOC
02-000-TOC	AXLES	02-000-TOC
03-000-TOC	STEERING SYSTEM	03-000-TOC
04-000-TOC	DRIVE TRAIN SYSTEM	04-000-TOC
05-000-TOC	BRAKE SYSTEM	05-000-TOC
06-000-TOC	COMPRESSED AIR SYSTEM	06-000-TOC
07-000-TOC	HYDRAULIC SYSTEM	07-000-TOC
08-000-TOC	ELECTRICAL SYSTEM	08-000-TOC
09-000-TOC	CAB	09-000-TOC
10-000-TOC	AIR CONDITIONING AND HEATING SYSTEM	10-000-TOC
11-000-TOC	CHASSIS	11-000-TOC
12-000-TOC	DECALS	12-000-TOC
13-000-TOC	WHEELS	13-000-TOC
14-000-TOC	IMPLEMENT DRIVE SYSTEM	14-000-TOC
15-000-TOC	IMPLEMENT LIFT SYSTEM FRONT	15-000-TOC
16-000-TOC	IMPLEMENT LIFT SYSTEM REAR	16-000-TOC
17-000-TOC	PRECISION FARMING SYSTEMS	17-000-TOC
18-000-TOC	ATTACHMENTS	18-000-TOC
19-000-TOC	GENERAL INFORMATION	19-000-TOC

Page Number	Page Title	Page Reference
01-0001	CYLINDERBLOCK	21-04
01-0002	FLYWHEEL AND HOUSING	21-08
01-0003	CYLINDER HEAD	21-16
01-0004	VALVE MECHANISM	21-22
01-0005	CRANK MECHANISM	21-28
01-0006	GEAR HOUSING	21-32
01-0007	OIL FILTER	21-34
01-0008	OIL SUMP	21-40
01-0009	AIR CLEANER -F17108	21-46
01-0010	AIR CLEANER F17109-	21-48
01-0011	INTAKE- AND EXHAUST PIPE -N10361(M)	21-58
01-0012	INTAKE- AND EXHAUST PIPE N10362-(M)	21-58A
01-0013	MUFFLER	21-64
01-0014	TURBOCHARGER	21-72
01-0015	TURBOCHARGER	21-78
01-0016	COLD-STARTING DEVICE	21-80
01-0017	FEED PUMP	22-04
01-0018	FUEL FILTER -G16522(M)	22-08
01-0019	FUEL FILTER G16522-N10321(M)	22-16
01-0020	FUEL FILTER N10362-(M)	22-16A
01-0021	FUEL PIPES	22-30
01-0022	INJECTION PUMP -L10018 (M)	22-34
01-0023	INJECTION PUMP L10019(M)-N10361(M)	22-36A
01-0024	INJECTION PUMP N10362-(M)	22-36B
01-0025	SPEED LEVERS -N10361(M)	22-50
01-0026	SPEED LEVERS N10362-(M)	22-56
01-0027	RADIATOR	23-02
01-0028	COOLANT PUMP -K10175(M)	23-10
01-0029	COOLANT PUMP K10176-(M)	23-10A
01-0030	STARTERMOTOR -F4798 G17807-	31-02
01-0031	STARTERMOTOR	31-04
01-0032	ALTERNATOR -K6495(M)	31-06
01-0033	ALTERNATOR K6496-K14993(M)	31-06A
01-0034	ALTERNATOR K14994-(M)	31-12
01-0035	ALTERNATOR -N10361(M)	31-14
01-0036	ALTERNATOR N10362-(M)	31-14B
01-0037	ELECTRICAL EQUIPMENT ENGINE, EEM PARTS N10362-(M)	33-30
01-0038	GASKET SETS	28-04
01-0039	GASKET SETS	28-10
01-0040	ENGINE REPAIR KIT AND BEARING	28-14
01-0041	ADJUSTING PLATE FOR INJECTOR	28-18
01-0042	PREFILTER (OPTIONAL EQUIPMENT)	29-02
01-0043	CATALYZER (OPTIONAL EQUIPMENT)	29-16
01-0044	PILLAR EXHAUST PIPE (OPTIONAL EQUIPMENT)	29-18
01-0045	ELECTRIC STOP (OPTIONAL EQUIPMENT)	39-34
01-0046	ENGINE HEATER (OPTIONAL EQUIPMENT)	39-04

6400 TRACTOR (MEZZO SERIES)
SPIMG-006-21-04



<https://www.ebooklibonline.com>

Hello dear friend!

Thank you very much for reading.

Enter the link into your browser.

The full manual is available for immediate download.

<https://www.ebooklibonline.com>

Item	Part Number	Qty	Description Comments	Technical Specification
1	V836766377	1	CYLINDER BLOCK	
2	V836866069	1	CAMSHAFT BEARING BUSHING	
3	NS	4	NON-SERVICEABLE PART	
4	V836214478	8	BEARING COVER GUIDE SLEEVE	
5	NS	1	NON-SERVICEABLE PART	
6	V836214478	2	BEARING COVER GUIDE SLEEVE	
7	V835329030	10	HEX CAP SCREW	
8	V836666990	4	LINER	
	V836647933		LINER FLANGE S=9.08	FLANGE HEIGHT + 0.05 MM
	V836647934		LINER FLANGE S=9.13	FLANGE HEIGHT + 0.10 MM
	V836647935		LINER FLANGE S=9.23	FLANGE HEIGHT + 0.15 MM
9	V836647502	8	CYLINDER LINER O-RING S2	
10	V836647503	4	CYLINDER LINER O-RING S2	
11	V640016016	4	CUP PLUG	
12	V836529872	1	PLUG	
13	V640016018	1	CUP PLUG	
14	V640325110	2	SCREW PLUG	
15	V615571014	2	SEALING WASHER S2	
16	V887283760	1	PRESSURE SWITCH	
17	V836647927	1	RETAINING PLATE LEFT	
	V836647926	1	RETAINING PLATE RIGHT	
18	V528801362	2	HEX CAP SCREW -H2058(M)	
	V528801362	4	HEX CAP SCREW H2059-(M)	
19	V836647400	1	COVER -H2058(M)	
	V836866957	1	COVER H2059-(M)	
20	V836647401	1	GASKET -H2058(M)	
	V836866958	1	GASKET H2059-(M) S2	
21	V640325018	2	PLUG	
22	V615881822	2	SEALING WASHER	
23	V836019756	1	PLUG	
24	V836129747	1	OIL DIPSTICK GUIDE PIPE	
25	V862640001	1	REMANUFACTURED SHORT BLOCK ENGINE	
26	V615881824	1	SEALING WASHER S2	
27	V615881216	1	SEALING WASHER S2	
28	V640305012	1	PLUG	
31	V836755844	2	SUPPORT	
32	V836664377	1	DRAIN VALVE	

Valtra

6400 TRACTOR (MEZZO SERIES)

VFZ6400

CYLINDERBLOCK

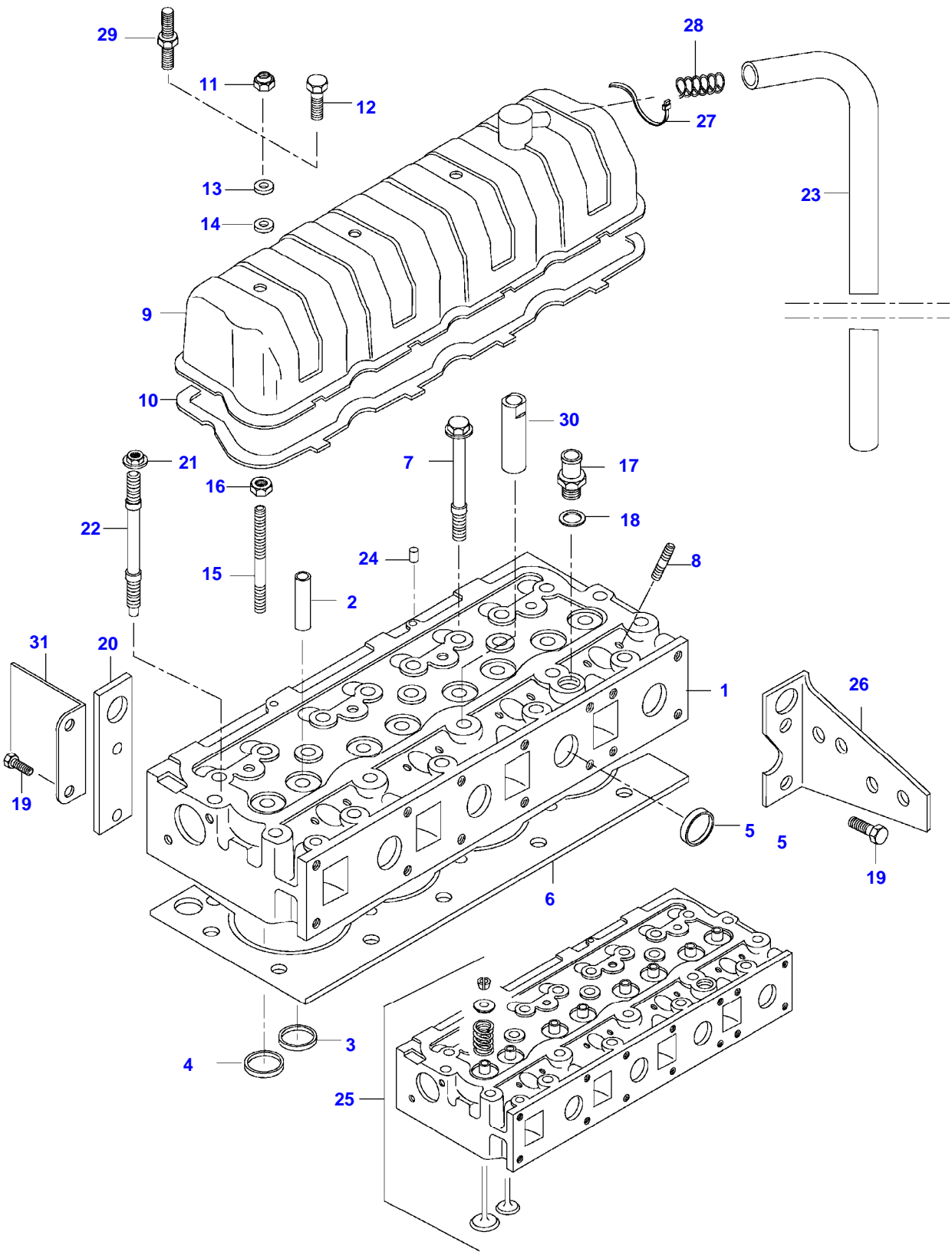
Page01-0001

Item	Part Number	Qty	Description Comments	Technical Specification
	V836740280	1	ENGINE GASKET KIT S1	
	V836740281	1	ENGINE GASKET KIT S1+S2	

Item	Part Number	Qty	Description Comments	Technical Specification
1	V836647040	1	FLYWHEEL HOUSING	
	V836647439	1	FLYWHEEL HOUSING HYDRAULIC CLUTCH VOITH	
	V836146956	1	FLYWHEEL HYDRAULIC CLUTCH TRANSFLUID	
2	V614500002	1	CRANKSHAFT SEAL S2	
3	V529702220	8	HEX CAP SCREW	
4	V581705030	6	HEX SOCKET SCREW	
5	V836007572	1	RUBBER PLUG	
6	V598359850	2	PIN	
7	V504601000	3	NUT	
8	V500951000	3	SPRING WASHER	
9	V546801800	3	STUD BOLT	
10	V836146784	1	FLYWHEEL	
	V836759818	1	FLYWHEEL H17045-(M)	
	V836146958	1	FLYWHEEL HYDRAULIC CLUTCH VOITH -666065	
	V836752255	1	FLYWHEEL HYDRAULIC CLUTCH VOITH D 9373-(M)	
	V836759820	1	FLYWHEEL HYDRAULIC CLUTCH VOITH 666066-	
	V836752257	1	FLYWHEEL HYDRAULIC CLUTCH TRANSFLUID	
11	V835328783	1	STARTER RING	
12	V595955060	1	PIN	
13	V836647590	1	PLATE	
	V836755845	1	FLYWHEEL HOUSING PILLAR EXHAUST PIPE	
14	V836647471	1	LIFT EYE -1994	
	V32999100	1	SUPPORT 1995-	
15	V528801362	4	HEX CAP SCREW	
16	V528801380	2	HEX CAP SCREW	
	V528801800	2	HEX CAP SCREW	
17	V504800800	3	NUT	
18	V528802180	2	HEX CAP SCREW	
19	V835338745	1	RUBBER INLET	
20	V836755361	1	SUPPORT	
21	V500150842	3	WASHER	
22		1	HUB HYDRAULIC CLUTCH SEE PAGE 04-0002 SEE PAGE 04-0003	
23	V529902240	7	HEX CAP SCREW HYDRAULIC CLUTCH SEE PAGE 04-0002 SEE PAGE 04-0003	
24	VHC9784	2	HEX SOCKET SCREW	M12 X 140 SFS_EN_ISO_4762 12.9
25	V528702230	8	HEX CAP SCREW	
	V529702250	8	HEX CAP SCREW HYDRAULIC CLUTCH	
26	V500951200	8	SPRING WASHER	

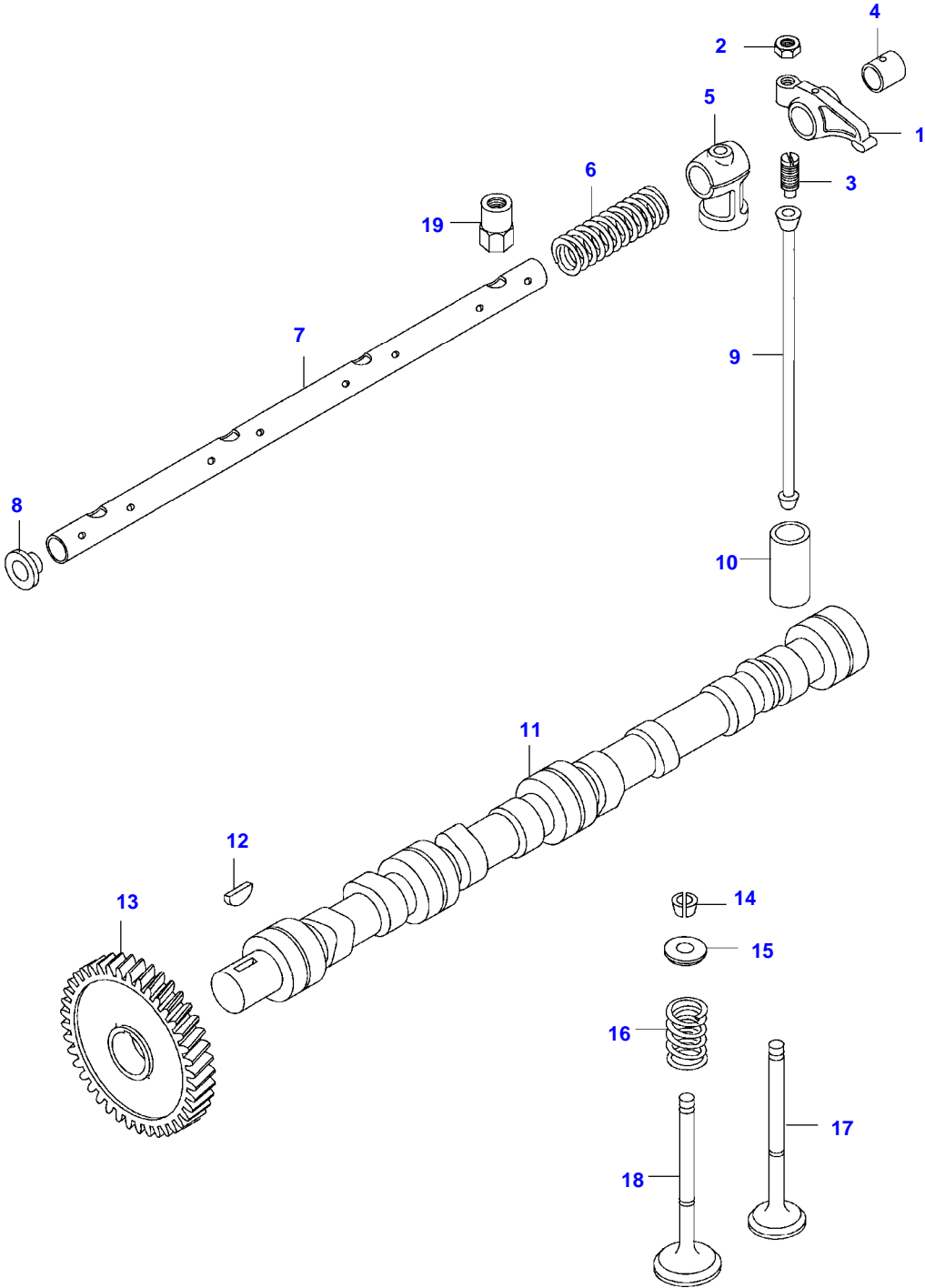
Item	Part Number	Qty	Description Comments	Technical Specification
27	V836659527	1	GUIDE SLEEVE H17045-(M)	
28	V836759798	1	BRACKET J6780-(M)	
29	V528801362	1	HEX CAP SCREW	
	V528801760	1	HEX CAP SCREW	
30	V836859311	1	PLUG	

6400 TRACTOR (MEZZO SERIES)
SPIMG-006-21-16



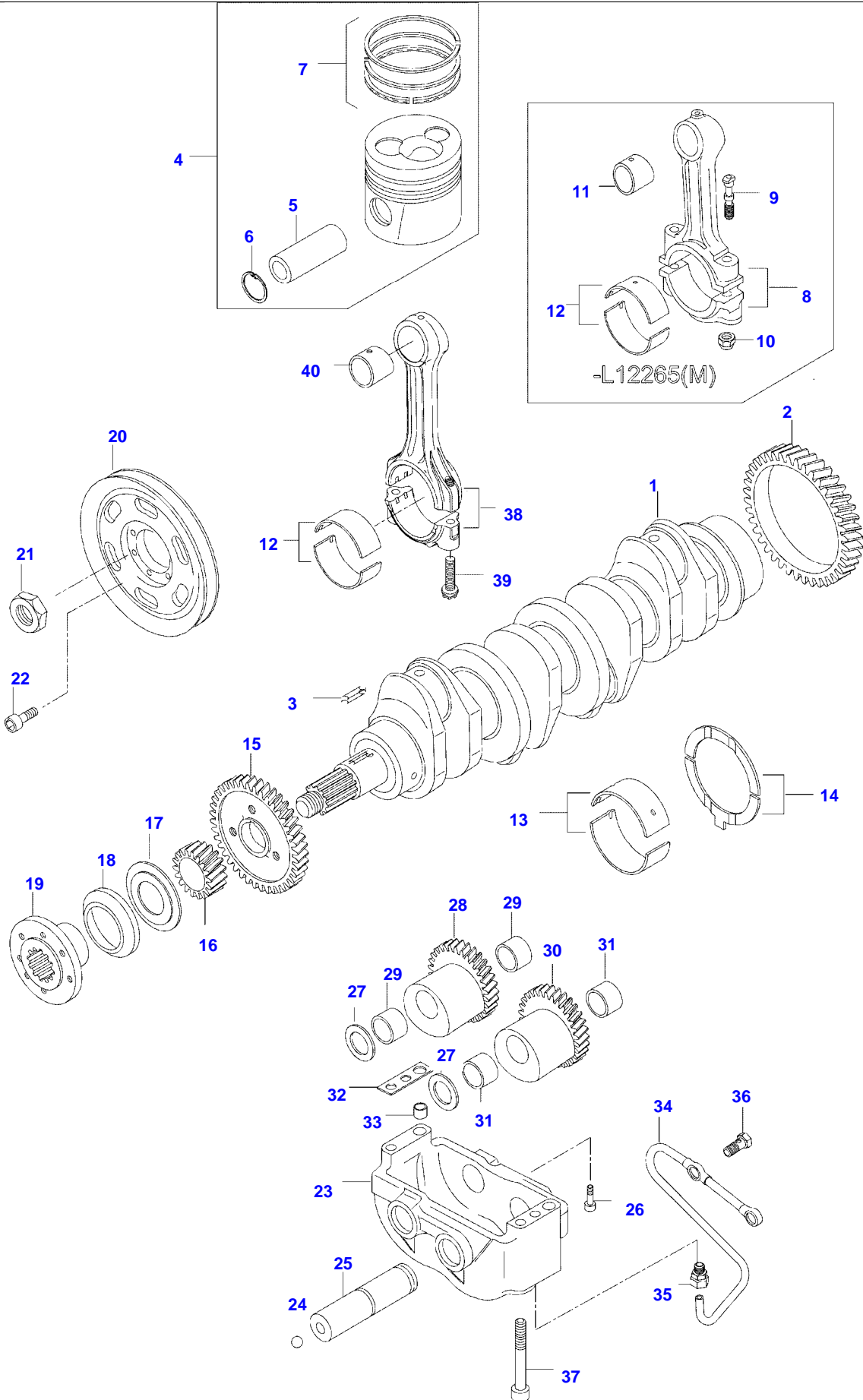
Item	Part Number	Qty	Description Comments
1	V836755383	1	CYLINDER
2	V836647601	8	GUIDE
3	V836647600	4	VALVE SEAT
5	V836647942	8	EXHAUST CUP PLUG
6	V837070291	1	CYLINDER HEAD GASKET S1
7	V836859104	20	HEXAGON FLANGE BOLT -K14993(M)
	V836859104	19	HEXAGON FLANGE BOLT K14994-(M)
8	V546901435	8	STUD BOLT
9	V836746361	1	VALVE ROCKER COVER
10	V836746362	1	VALVE ROCKER COVER GASKET S1
11	V510601002	4	NUT
12	V528801780	4	HEX CAP SCREW F9293-(M)
13	V836119855	4	WASHER
14	V836012841	4	RUBBER BUSHING S1
15	V836652357	4	STUD BOLT -F9292(M)
	V546801900	4	STUD BOLT F9293-(M)
16	V504601000	4	NUT -F9292(M)
	V836655406	4	SLEEVE NUT F9293-(M)
17	V836119837	1	HOSE COUPLER
18	V615881822	1	SEALING WASHER S1
19	V528801380	2	HEX CAP SCREW
	V528801800	4	HEX CAP SCREW
20	V836855349	1	LIFT EYE
	V836855349	2	LIFT EYE J6780-(M)
21	V836859110	2	NUT -K14993(M)
	V836859110	3	NUT K14994-(M)
22	V836859109	2	STUD BOLT -K14993(M)
	V836859109	3	STUD BOLT K14994-(M)
23	V836647814	1	RUBBER HOSE
24	V595959140	2	PIN
25	V836740854	1	CYLINDER HEAD
27	V835329746	1	CABLE TIE
28	V836659103	1	SPRING
29	V836659175	1	STUD BOLT K14994-(M)
30	V836667062	1	LIFTING EYE EXTENSION K14994-(M)
31	V836666199	1	HEAT SHIELD L8344-(M)

6400 TRACTOR (MEZZO SERIES)
SPIMG-006-21-22



Item	Part Number	Qty	Description Comments
	V836746331	1	ROCKER SHAFT ASM -F9292(M)
1	V835328363	8	ROCKER ARM
2	V504800800	8	NUT
3	V836010106	8	VALVE ROCKER ADJUSTMENT SCREW
4	V836006586	8	BEARING
5	V836006580	4	BRACKET
6	V836006582	3	SPRING
7	V836746330	1	SHAFT
8	V836655113	2	PLUG
	V836767044	1	ROCKER SHAFT ASM F9293-(M)
1	V836666608	8	ROCKER ARM -S12222(M)
	V836667042	8	ROCKER ARM S12223-(M)
2	V512861000	8	NUT
3	V836655866	8	ADJUSTING SCREW -S12222(M)
	V837069023	8	VALVE ROCKER ADJUSTMENT SCREW S12223-(M)
5	V836655869	4	BRACKET
6	V836655884	3	SPRING
7	V836755871	1	SHAFT
8	V836655899	2	PLUG -S12222(M)
	V837069020	2	PLUG S12223-(M)
9	V836110237	8	PUSHROD -F9292(M)
	V836655867	8	PUSHROD F9293-(M)
10	V836014264	8	TAPPET
11	V836746375	1	CAMSHAFT
12	V603305760	1	WOODRUFF KEY
13	V836646389	1	GEAR,CAMSHAFT
14	V836646382	16	COTTER
15	V836646381	15	WASHER
16	V836646380	8	SPRING
17	V836646357	4	EXHAUST VALVE
18	V836646356	4	INTAKE VALVE
19	V836655406	4	SLEEVE NUT F9293-(M)

6400 TRACTOR (MEZZO SERIES)
SPIMG-006-21-28

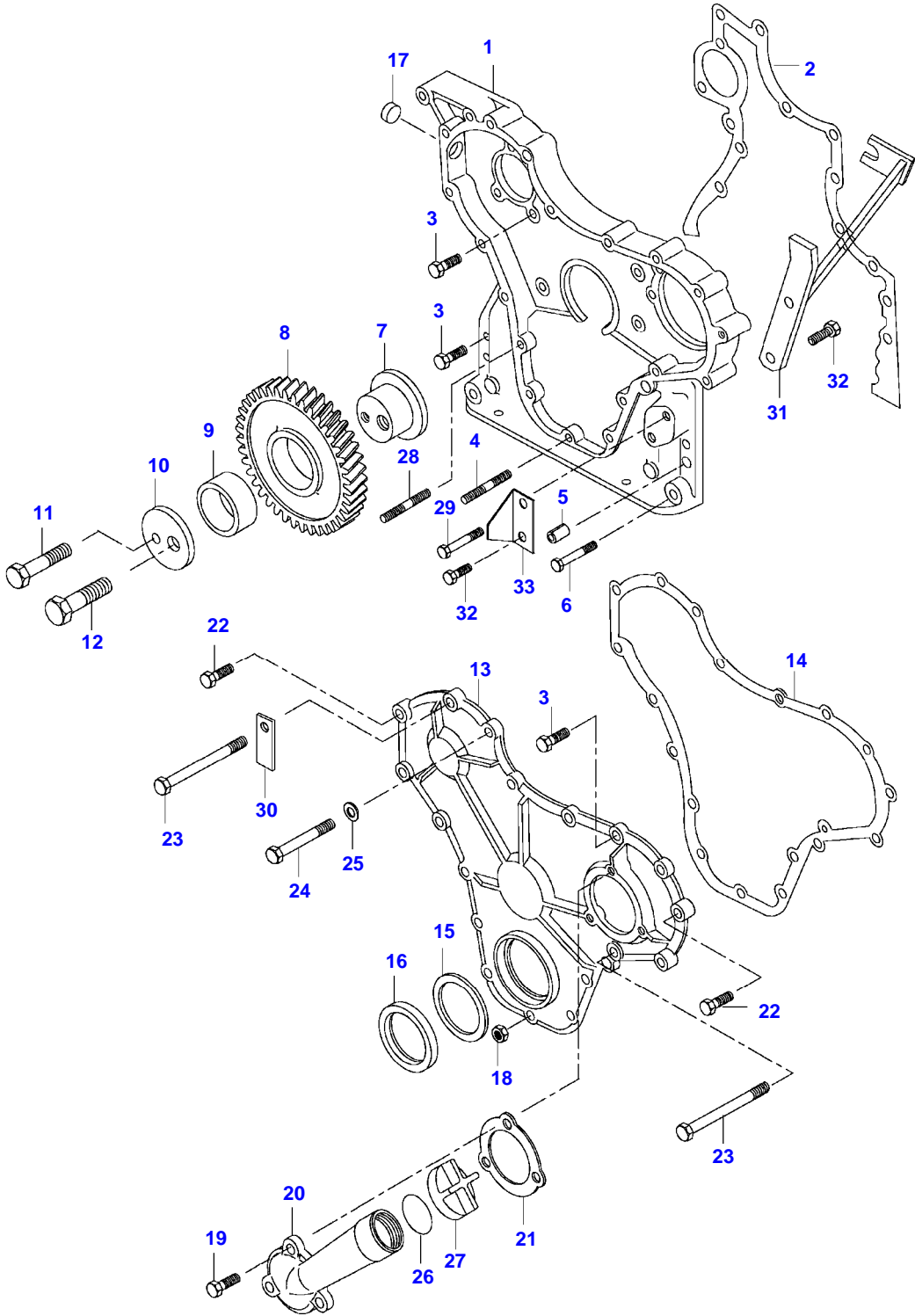


Item	Part Number	Qty	Description Comments	Technical Specification
1	V836747324	1	CRANKSHAFT	
	V836766486	1	CRANKSHAFT N10362-(M)	
2	V836124524	1	GEAR	
3	V603345110	1	KEY	
4	V836640073	4	PISTON	
5	NS	4	NON-SERVICEABLE PART	
6	NS	8	PISTON PIN NON-SERVICEABLE PART	
7	V836640078	4	CIRCLIP PISTON RING KIT	
4	V836659702	4	PISTON N10362-(M)	
5	NS	4	NON-SERVICEABLE PART	
6	NS	8	PISTON PIN NON-SERVICEABLE PART	
7	V836640126	4	CIRCLIP PISTON RING KIT	
8	V836647460	4	CONROD 2150-2169 G X -L12265(M)	
	V836652104		CONROD 2170-2189 G A -L12265(M)	
	V836652105		CONROD 2190-2209 G B -L12265(M)	
	V836652106		CONROD 2210-2229 G C -L12265(M)	
	V836652107		CONROD 2230-2249 G D -L12265(M)	
	V836652108		CONROD 2250-2269 G E -L12265(M)	
	V836652109		CONROD 2270-2289 G H -L12265(M)	
	V836652110		CONROD 2290-2309 G I -L12265(M)	
	V836652111		CONROD 2310-2329 G J -L12265(M)	
	V836652112		CONROD 2330-2349 G K -L12265(M)	
	V836652113		CONROD 2350-2369 G L -L12265(M)	
	V836652114		CONROD 2370-2389 G M -L12265(M)	
	V836652115		CONROD 2390-2409 G N -L12265(M)	

Item	Part Number	Qty	Description Comments	Technical Specification
	V836652116		CONROD 2410-2429 G O -L12265(M)	
	V836652117		CONROD 2430-2449 G P -L12265(M)	
	V836652118		CONROD 2450-2469 G R -L12265(M)	
	V836652119		CONROD 2470-2489 G S -L12265(M)	
	V836652120		CONROD 2490-2509 G T -L12265(M)	
	V836652121		CONROD 2510-2529 G U -L12265(M)	
38	NS		NON-SERVICEABLE PART CONNECTING ROD 1935-1954 G F L12266-(M) [A]	
	NS		NON-SERVICEABLE PART CONNECTING ROD 1955-1974 G V L12266-(M) [A]	
	NS		NON-SERVICEABLE PART CONNECTING ROD 1975-1994 G X L12266-(M) [A]	
	NS		NON-SERVICEABLE PART CONNECTING ROD 1995-2014 G Y L12266-(M) [A]	
	NS		NON-SERVICEABLE PART CONNECTING ROD 2015-2034 G W L12266-(M) [A]	
	NS		NON-SERVICEABLE PART CONNECTING ROD 2035-2054 G Z L12266-(M) [A]	
	NS		NON-SERVICEABLE PART CONNECTING ROD 2055-2074 G G L12266-(M) [A]	
9	V836646204	8	CONNECTING ROD BOLT . -L12265(M)	
39	V836864141	8	CONNECTING ROD BOLT . L12266-(M) [A]	
10	V836646205	8	NUT . -L12265(M)	
11	V836646271	4	BEARING BUSH . -L12265(M)	

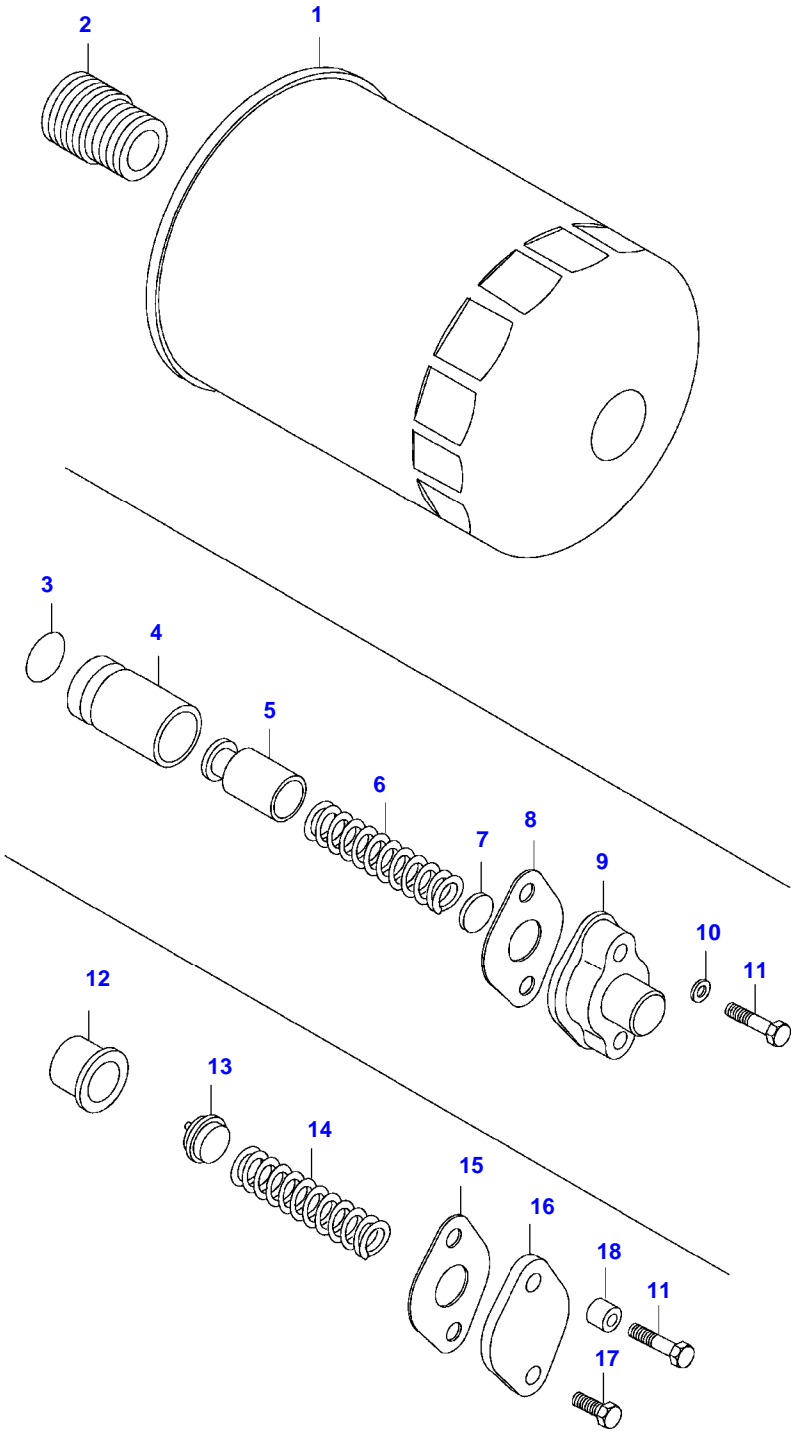
Item	Part Number	Qty	Description Comments	Technical Specification
40	V836110646	4	BEARING BUSH . L12266-(M) [A]	STD
12	V836110552	4	BEARING SHELL SEE PAGE 01-0040	
13	V836655514	5	MAIN BEARING SEE PAGE 01-0040	
14	V836119459	2	THRUST WASHER SEE PAGE 01-0040	
15	V836119550	1	GEAR,CRANKSHAFT	
16	V836122840	1	GEAR,CRANKSHAFT	
17	V836129781	1	RING	
18	V836136271	1	SHIELD	
19	V836846463	1	CRANKSHAFT HUB	
20	V836655449	1	CRANKSHAFT V-BELT PULLEY	
	V836655534	1	CRANKSHAFT V-BELT PULLEY K14994-(M)	
	V836766988	1	CRANKSHAFT PULLEY N10362-(M)	
21	V836647310	1	CRANKSHAFT NUT	
22	V581804600	6	HEX SOCKET SCREW	
23	V836747349	1	BALANCER -L10351(M)	
	V836766123	1	COUNTERWEIGHT L10352-(M)	
24	V616810103	2	BALL .	
25	V836146879	2	SHAFT .	
26	V581804200	2	HEX SOCKET SCREW .	
27	V836146880	4	THRUST WASHER .	
28	V836146877	1	GEAR .	
	V836766121	1	-L10351(M) COUNTERWEIGHT .	
			L10352-(M)	
29	V836146876	2	BEARING BUSH ..	
30	V836146878	1	GEAR .	
	V836766122	1	-L10351(M) COUNTERWEIGHT .	
			L10352-(M)	
31	V836146876	2	BEARING BUSH ..	
32	V836119920		SHIM	
33	V598359850	2	PIN	
34	V836747298	1	OIL PIPE	
35	V641016008	1	STRAIGHT FITTING	
36	V640435008	2	BANJO BOLT	
37	V581805170	4	HEX SOCKET SCREW [A] V836740859 CONNECTING ROD SET L12266-(M), REF. 38, 39, 40	

6400 TRACTOR (MEZZO SERIES)
SPIMG-006-21-32-



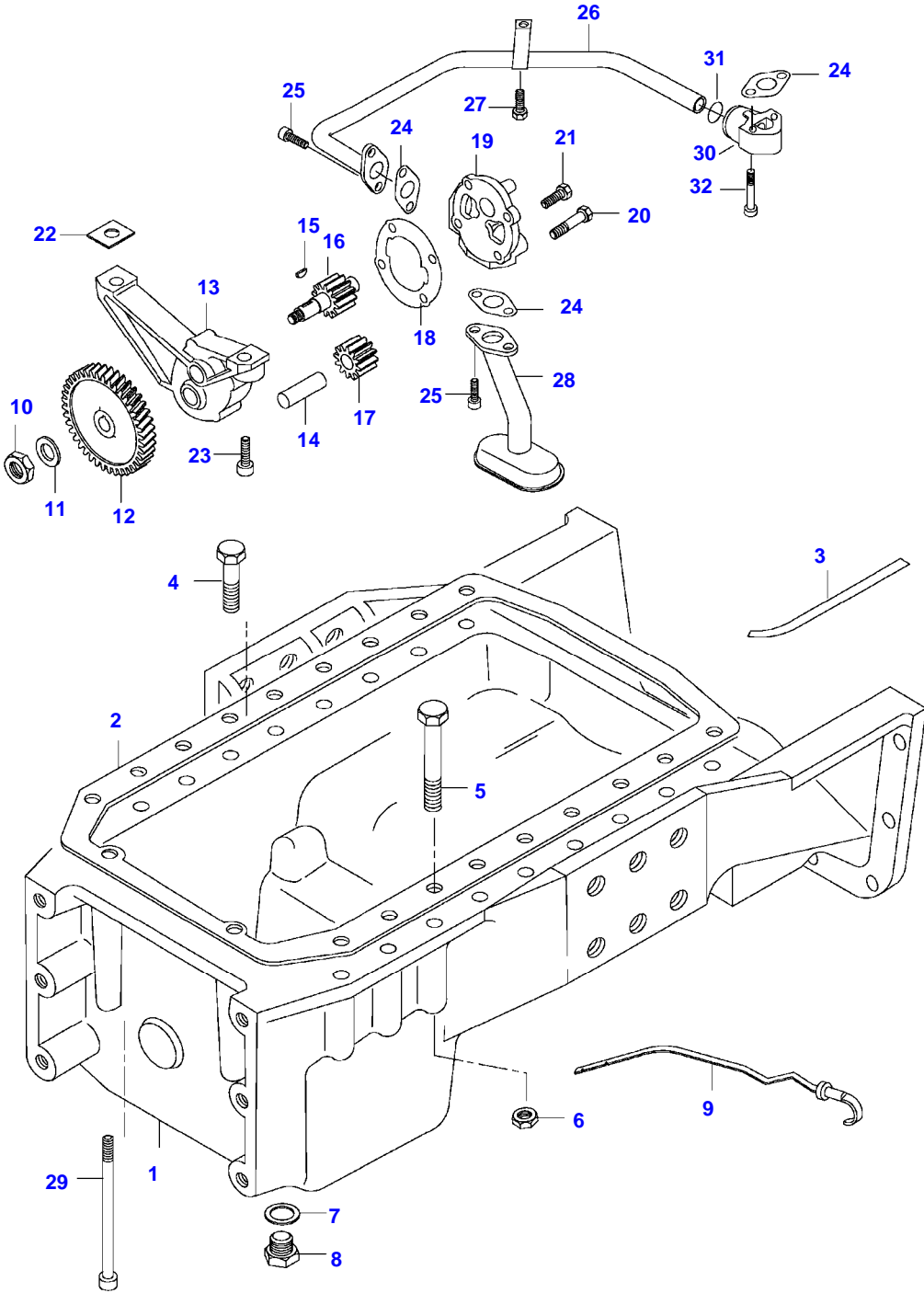
Item	Part Number	Qty	Description Comments
1	V836647406	1	TIMING GEAR CASE
	V836666400	1	TIMING GEAR CASE N10362-(M)
2	V836647419	1	GASKET S2
3	V528801400	11	HEX CAP SCREW
4	V546801380	4	STUD BOLT
5	V598359850	4	PIN
6	V529801440	2	HEX CAP SCREW
7	V836129709	1	SHAFT
8	V836129863	1	IDLER GEAR
9	V836129844	1	BEARING BUSH
10	V836129845	1	FLANGE
11	V528801860	1	HEX CAP SCREW
12	V529902680	1	HEX CAP SCREW
13	V836647572	1	GEAR HOUSING FRONT COVER
14	V836129942	1	GASKET S2
15	V836129782	1	COVER
16	V614105880	1	OIL SEAL S2
17	V640016016	1	CUP PLUG
18	V504800800	5	NUT
19	V528801380	3	HEX CAP SCREW
20	V836746921	1	PIPE
21	V836129946	1	GASKET S2
22	V528801420	4	HEX CAP SCREW
23	V529801500	2	HEX CAP SCREW
24	V529801470	3	HEX CAP SCREW
25	V836120989	1	WASHER
26	V614604740	1	O-RING S2
27	V836338733	1	OIL FILLER CAP
29	V529801450	1	HEX CAP SCREW
33	V836747675	1	TIMING MARK INDICATOR N10362-(M)

6400 TRACTOR (MEZZO SERIES)
SPIMG-006-21-34



Item	Part Number	Qty	Description Comments
1	V836162572	1	ENGINE OIL FILTER
2	V836647404	1	UNION
	V835340042		OIL PRESSURE CONTROL VALVE
3	V614601524	1	O-RING
			.
			S2
4	V836117834	1	CYLINDER
			.
5	V836338850	1	OIL PRESSURE CONTROL VALVE
			.
6	V836117836	1	SPRING
			.
7	V836020290	1	INJECTOR SHIM
			.
8	V836322190	1	GASKET
			.
			S2
9	V836129849	1	COVER
10	V500950800	1	SPRING WASHER
11	V528801420	2	HEX CAP SCREW
	V836662129		OIL PRESSURE CONTROL VALVE
			J7602-(M)
12	V836659521	1	VALVE SEAT
			.
13	V836659522	1	VALVE CONE
			.
14	V836659523	1	SPRING
			.
15	V836322190	1	GASKET
			.
16	V836659524	1	COVER
			.
17	V528801380	1	HEX CAP SCREW
			.
18	V836136337	1	SPACER PIECE
			.

6400 TRACTOR (MEZZO SERIES)
SPIMG-006-21-40



Item	Part Number	Qty	Description Comments
1	V836136014	1	OIL SUMP (V30146600)
2	V836129728	1	OIL SUMP GASKET S2
3	V836129727	2	GASKET S2
4	V529702270	11	HEX CAP SCREW
5	V529902390	7	HEX CAP SCREW
6	V504801200	18	NUT
7	V615882432	1	SEALING WASHER S2
	V615881827	1	SEALING WASHER S2
8	V836655495	1	PLUG
	V836655493	1	PLUG
9	V836129939	1	DIPSTICK -R13715(M)
	V836767743	1	DIPSTICK R13716-(M) BLUE
	V836129413	1	OIL PUMP -C1327(M)
	V836652605	1	LUBRICATING OIL PUMP C1328-(M)
10	V504861000	1	NUT
11	V836122910	1	WASHER
12	V836112362	1	GEAR . -C1327(M)
	V836338667	1	GEAR . C1328-(M)
13	V836120195	1	HOUSING .
14	V836120191	1	OIL PUMP SHAFT .
15	V603305530	1	KEY . -C1327(M)
16	V836120194	1	GEAR . -C1327(M)
	V836652600	1	OIL PUMP SHAFT . C1328-(M)
17	V836120193	1	GEAR .
18	V836119796	1	GASKET . S2
19	V836129412	1	COVER .
20	V529801440	2	HEX CAP SCREW .
21	V528801380	2	HEX CAP SCREW .
22	V836007871		SHIM
23	V581805050	2	HEX SOCKET SCREW
24	V836008449	3	GASKET S2
25	V581804600	4	HEX SOCKET SCREW
26	V836766983	1	OIL PIPE
27	V528801760	1	HEX CAP SCREW
28	V836138033	1	AIR PIPE

Valtra

6400 TRACTOR (MEZZO SERIES)

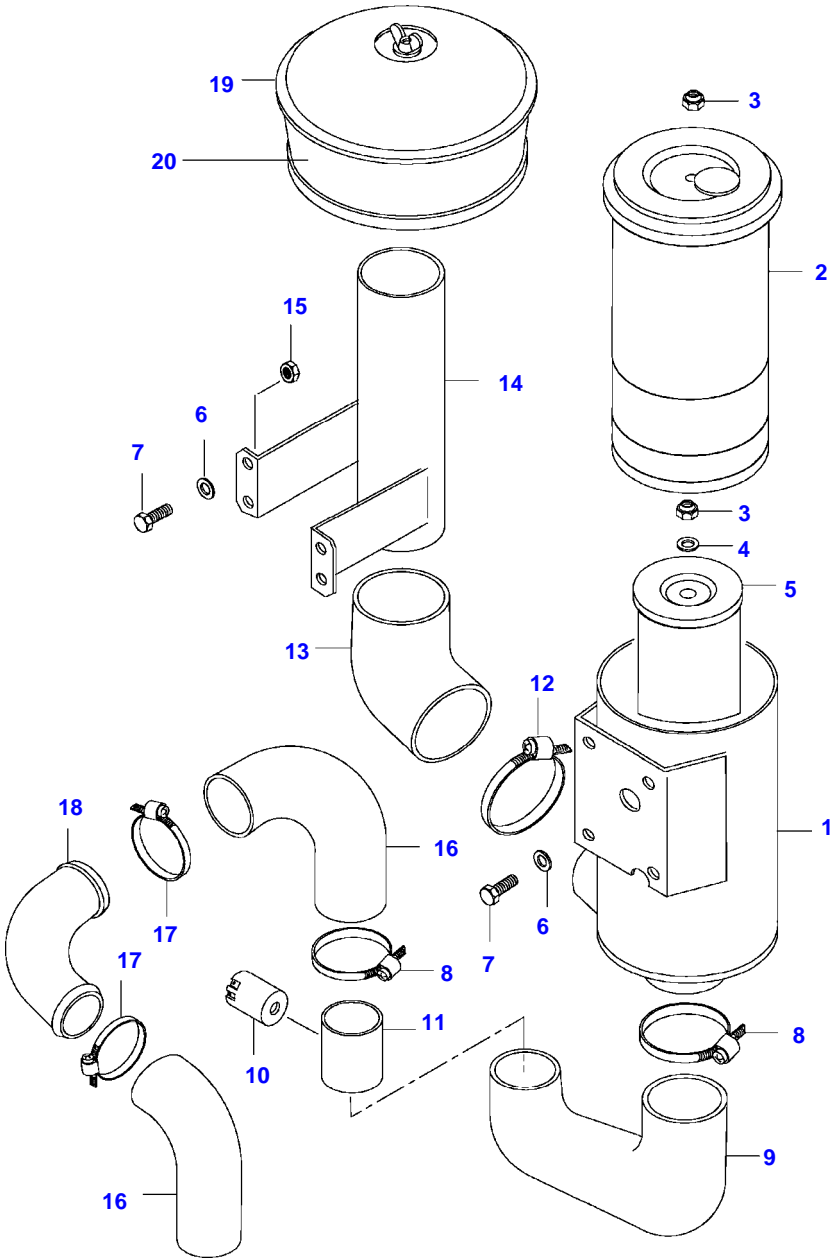
VFZ6400

OIL SUMP

Page01-0008

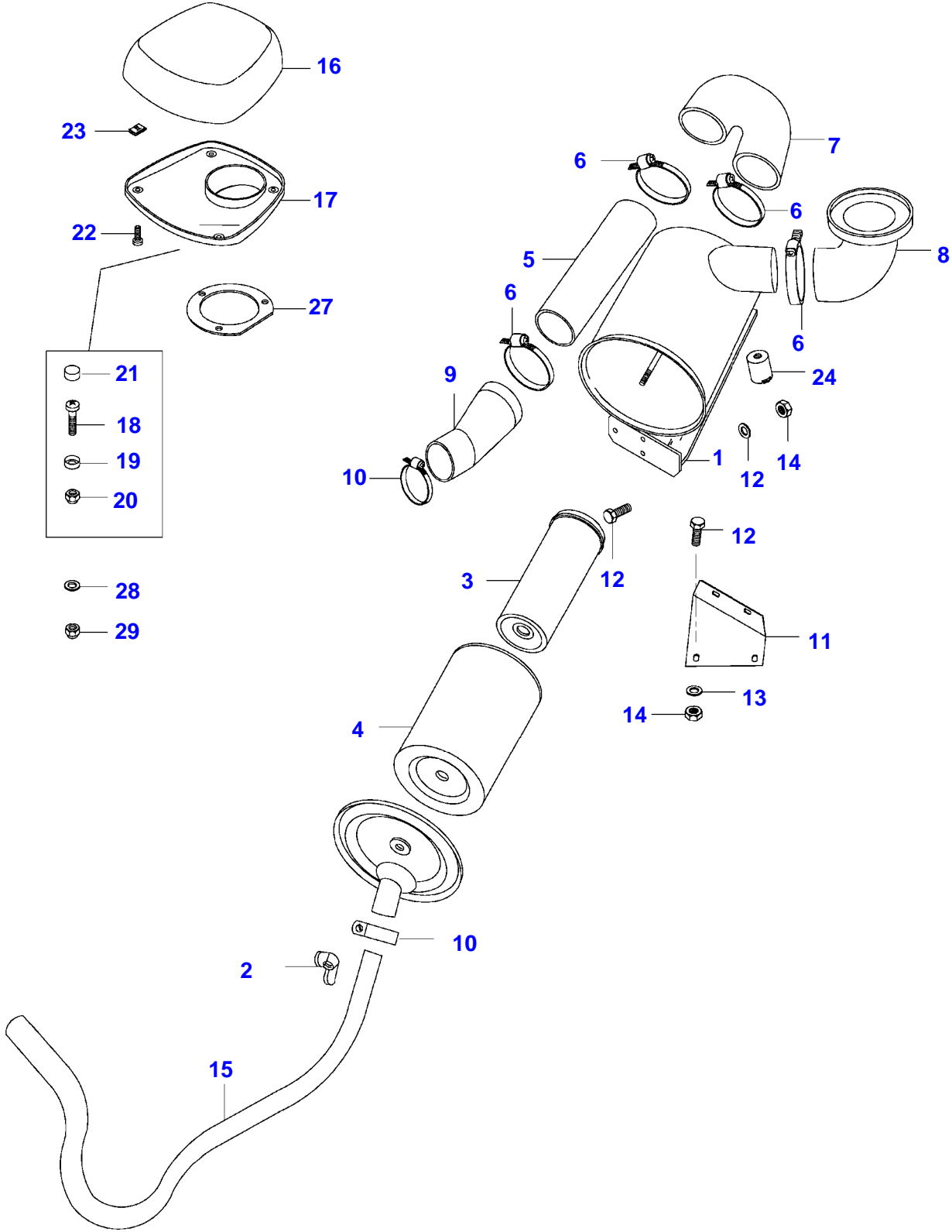
Item	Part Number	Qty	Description Comments
29	V581704800	2	HEX SOCKET SCREW
30	V836766984	1	ADAPTER FLANGE
31	V614701830	1	O-RING
32	V581804680	2	HEX SOCKET SCREW

6400 TRACTOR (MEZZO SERIES)
SPIMG-006-21-46



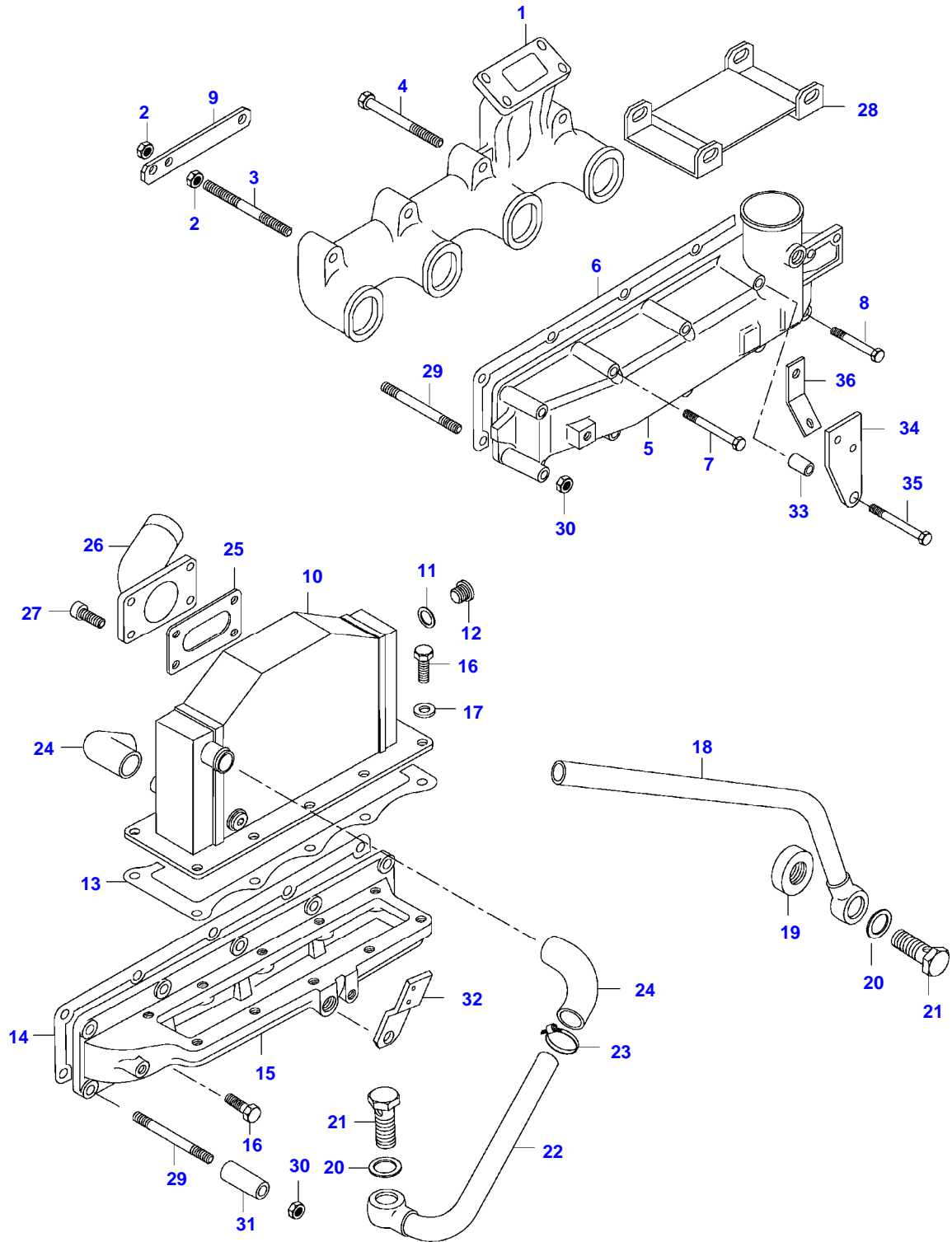
Item	Part Number	Qty	Description Comments
			-F17108
1	V836646966 NS	1	AIR FILTER NON-SERVICEABLE PART
2	V20236409	1	HOUSING FILTER ELEMENT
3	V510200802	2	NUT
4	V836015967	2	SEALING WASHER
5	V20228655	1	FILTER ELEMENT
6	V500150842	8	WASHER
7	V528801362	8	HEX CAP SCREW
8	V602096595	3	HOSE CLIP
9	V836647591	1	RUBBER HOSE
10	V836116325	1	SENDER
11	V836138277	1	AIR PIPE
12	V602097112	2	HOSE CLIP
13	V836138272	1	RUBBER ELBOW
14	V836646968	1	AIR PIPE
15	V504800802	4	NUT
16	V836747593	1	RUBBER ELBOW
17	V602094575	1	HOSE CLIP
19	V836116039	1	CYCLONE
20	V836130078	1	HOUSING

6400 TRACTOR (MEZZO SERIES)
SPIMG-006-21-48



Item	Part Number	Qty	Description Comments	Technical Specification
			F17109-	
	V33057500	1	AIR FILTER F17109-K23222	D=225
	V33057510	1	AIR FILTER K23222-	D=225
1	NS	1	NON-SERVICEABLE PART	
			HOUSING	
2	VJC1610	1	BLADE NUT	M10 DIN315 G5 ZNE
			SECONDARY AIR FILTER ELEMENT	
			PRIMARY AIR FILTER ELEMENT	
5	V33031600	1	TUBE	
6	VGP3933	4	HOSE CLIP	D=95 SMS2298
7	V33031900	1	CURVED RUBBER	
8	V33032100	1	CURVED RUBBER	
9	V32999400	1	TUBE	
10	VGP3919	2	HOSE CLIP	D=26-38 SMS2298
11	V32952300	1	CARRIER	
12	VHA6323	7	SCREW	M8 X 20 CL8.8
13	VJD0408	7	WASHER	M8
14	VJB8904	7	NUT	M8
15	V33032810	1	HOSE	L=1250
	V33042610	1	COVER ASSEMBLY	
16	V33051700	1	COVER	
			BOTTOM	
18	VHD9024	3	SCREW	M6 X 16 SFS_EN_ISO_7045 4.8
			RING WASHER	M6
20	VJB1106	3	NUT	M6 SFS-EN_ISO_4032
			CUP	M6
22	VHN6646	4	SCREW	B 4.8 X 13 SFS-ISO_7049
23	VJC9001	4	NUT	B 4.8 SFS:EN_ISO_1478
			SENSOR	6.5 KPA
25	VJD0406	3	WASHER	6.4 X 1.6 SFS-EN_ISO_7089
27	V33052610	1	GASKET	
28	VJD0406	3	WASHER	6.4 X 1.6 SFS-EN_ISO_7089
29	VJB8903	3	LOCKNUT	M6 SFS_EN_ISO_7042

6400 TRACTOR (MEZZO SERIES)
SPIMG-006-21-58





Suggest:

For more complete manuals. Please go to the home page.

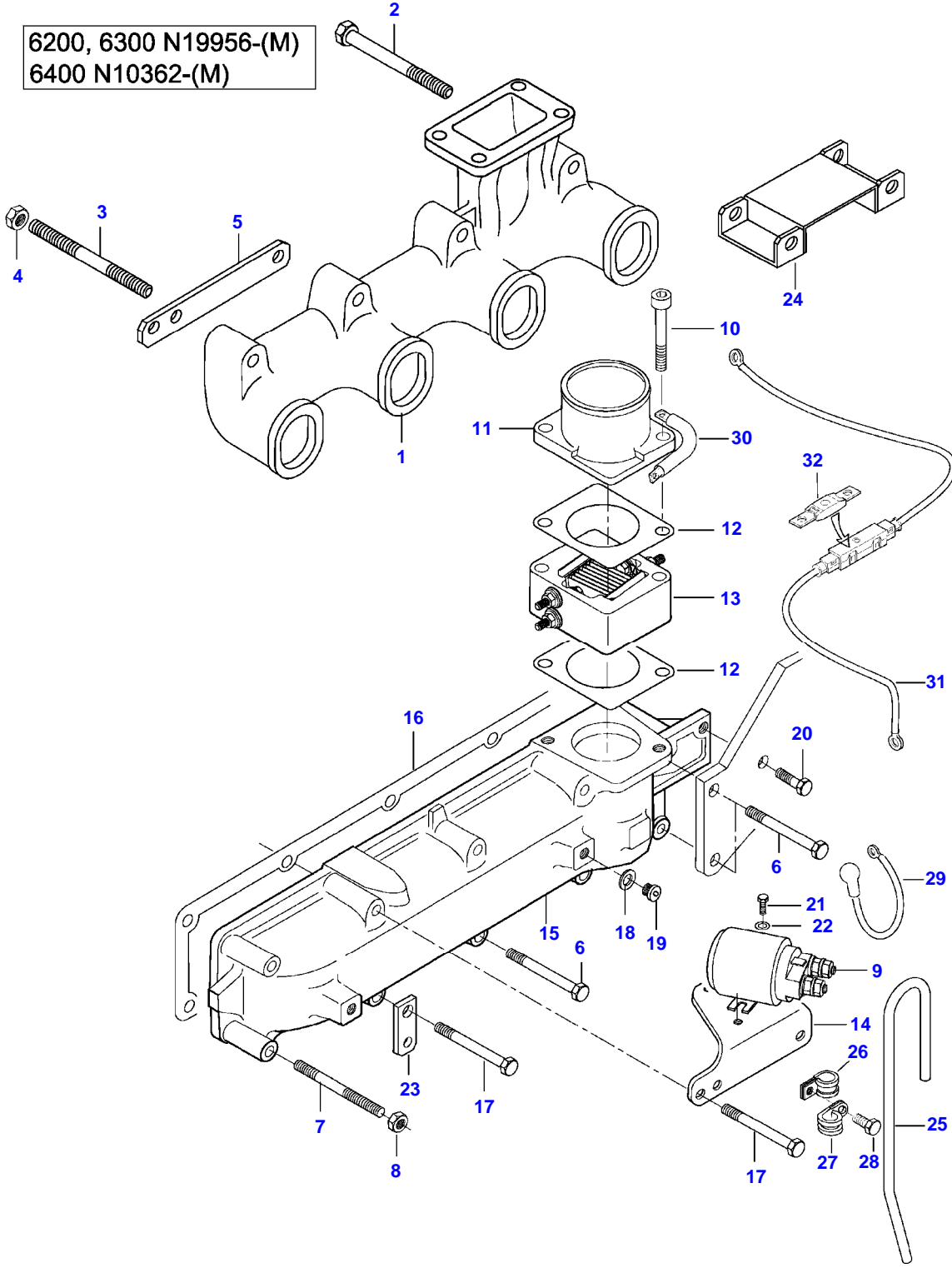
<https://www.ebooklibonline.com>

If the above button click is invalid. Please download this document first, and then click the above link to download the complete manual.

Thank you so much for reading

Item	Part Number	Qty	Description Comments
			-N10361(M)
1	V836747524	1	EXHAUST MANIFOLD
2	V504601000	4	NUT
3	V546801960	2	STUD BOLT
4	V529801950	7	HEX CAP SCREW
5	V836747044	1	MANIFOLD
	V836747691	1	INTAKE MANIFOLD L10019-(M)
6	V836747595	1	INTAKE MANIFOLD GASKET S1
7	V529801490	9	HEX CAP SCREW
8	V529801470	1	HEX CAP SCREW
9	V836755027	1	RETAINING PLATE
28	V836655735	1	HEAT SHIELD L10019-(M)
29	V546801510	1	STUD BOLT G10516-(M)
30	V504800800	1	NUT G10516-(M)
33	V836114846	1	SPACER J6780-(M)
34	V836664162	1	BRACKET J6780-(M)
35	V529801550	1	HEX CAP SCREW J6780-(M)

6400 TRACTOR (MEZZO SERIES)
SPIMG-006-21-58A



<https://www.ebooklibonline.com>

Hello dear friend!

Thank you very much for reading.

Enter the link into your browser.

The full manual is available for immediate download.

<https://www.ebooklibonline.com>