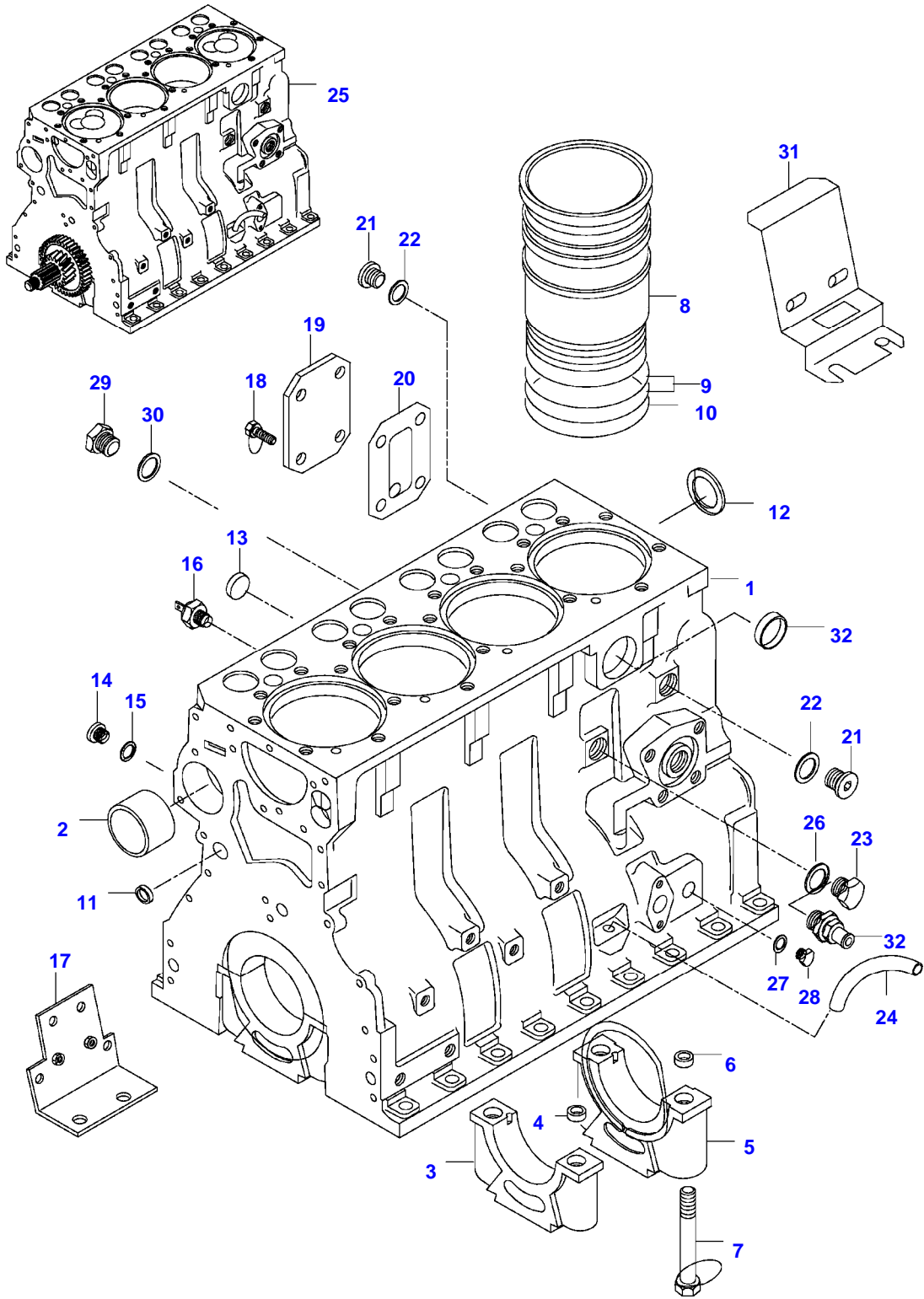


| Page Number | Page Title | Page Reference |
|--------------------|-------------------------------------|-----------------------|
| 01-000-TOC | ENGINE, FUEL AND EXHAUST SYSTEM | 01-000-TOC |
| 02-000-TOC | AXLES | 02-000-TOC |
| 03-000-TOC | STEERING SYSTEM | 03-000-TOC |
| 04-000-TOC | DRIVE TRAIN SYSTEM | 04-000-TOC |
| 05-000-TOC | BRAKE SYSTEM | 05-000-TOC |
| 06-000-TOC | COMPRESSED AIR SYSTEM | 06-000-TOC |
| 07-000-TOC | HYDRAULIC SYSTEM | 07-000-TOC |
| 08-000-TOC | ELECTRICAL SYSTEM | 08-000-TOC |
| 09-000-TOC | CAB | 09-000-TOC |
| 10-000-TOC | AIR CONDITIONING AND HEATING SYSTEM | 10-000-TOC |
| 11-000-TOC | CHASSIS | 11-000-TOC |
| 12-000-TOC | DECALS | 12-000-TOC |
| 13-000-TOC | WHEELS | 13-000-TOC |
| 14-000-TOC | IMPLEMENT DRIVE SYSTEM | 14-000-TOC |
| 15-000-TOC | IMPLEMENT LIFT SYSTEM FRONT | 15-000-TOC |
| 16-000-TOC | IMPLEMENT LIFT SYSTEM REAR | 16-000-TOC |
| 17-000-TOC | PRECISION FARMING SYSTEMS | 17-000-TOC |
| 18-000-TOC | ATTACHMENTS | 18-000-TOC |
| 19-000-TOC | GENERAL INFORMATION | 19-000-TOC |

| Page Number | Page Title | Page Reference |
|-------------|--|----------------|
| 01-0001 | CYLINDERBLOCK | 21-04 |
| 01-0002 | FLYWHEEL AND HOUSING | 21-08 |
| 01-0003 | CYLINDER HEAD | 21-16 |
| 01-0004 | VALVE MECHANISM | 21-22 |
| 01-0005 | CRANK MECHANISM | 21-28 |
| 01-0006 | GEAR HOUSING | 21-32 |
| 01-0007 | OIL FILTER | 21-34 |
| 01-0008 | OIL SUMP | 21-40 |
| 01-0009 | AIR CLEANER -F17108 | 21-46 |
| 01-0010 | AIR CLEANER F17109- | 21-48 |
| 01-0011 | INTAKE- AND EXHAUST PIPE -N10361(M) | 21-58 |
| 01-0012 | INTAKE- AND EXHAUST PIPE N10362-(M) | 21-58A |
| 01-0013 | MUFFLER | 21-64 |
| 01-0014 | TURBOCHARGER | 21-72 |
| 01-0015 | COLD-STARTING DEVICE | 21-80 |
| 01-0016 | FEED PUMP | 22-04 |
| 01-0017 | FUEL FILTER -G16522(M) | 22-08 |
| 01-0018 | FUEL FILTER G16522-N19955(M) | 22-16 |
| 01-0019 | FUEL FILTER N19956-(M) | 22-16.1 |
| 01-0020 | FUEL PIPES | 22-30 |
| 01-0021 | INJECTION PUMP -L10005 (M) | 22-34 |
| 01-0022 | INJECTION PUMP L10006(M)-N19955(M) | 22-36A |
| 01-0023 | INJECTION PUMP N19956-(M) | 22-36A.1 |
| 01-0024 | INJECTION PUMP UNITED STATES OF AMERICA | 22-40 |
| 01-0025 | SPEED LEVERS | 22-50 |
| 01-0026 | RADIATOR | 23-02 |
| 01-0027 | COOLANT PUMP -K11154(M) | 23-10 |
| 01-0028 | COOLANT PUMP K11155-(M) | 23-10A |
| 01-0029 | STARTERMOTOR -F4793 H1623- | 31-02 |
| 01-0030 | STARTERMOTOR | 31-04 |
| 01-0031 | ALTERNATOR -K6495(M) | 31-06 |
| 01-0032 | ALTERNATOR K6496-K14993(M) | 31-06A |
| 01-0033 | ALTERNATOR K14994-(M) | 31-12 |
| 01-0034 | ALTERNATOR K14994-(M) | 31-14 |
| 01-0035 | GASKET SETS | 28-04 |
| 01-0036 | GASKET SETS | 28-10 |
| 01-0037 | ENGINE REPAIR KIT AND BEARING | 28-14 |
| 01-0038 | ADJUSTING PLATE FOR INJECTOR | 28-18 |
| 01-0039 | PREFILTER (OPTIONAL EQUIPMENT) | 29-02 |
| 01-0040 | CATALYZER (OPTIONAL EQUIPMENT) | 29-16 |
| 01-0041 | PILLAR EXHAUST PIPE (OPTIONAL EQUIPMENT) | 29-18 |
| 01-0042 | ELECTRIC STOP (OPTIONAL EQUIPMENT) | 39-34 |
| 01-0043 | ENGINE HEATER (OPTIONAL EQUIPMENT) | 39-04 |

6300 TRACTOR (MEZZO SERIES)
SPIMG-006-21-04



<https://www.ebooklibonline.com>

Hello dear friend!

Thank you very much for reading.

Enter the link into your browser.

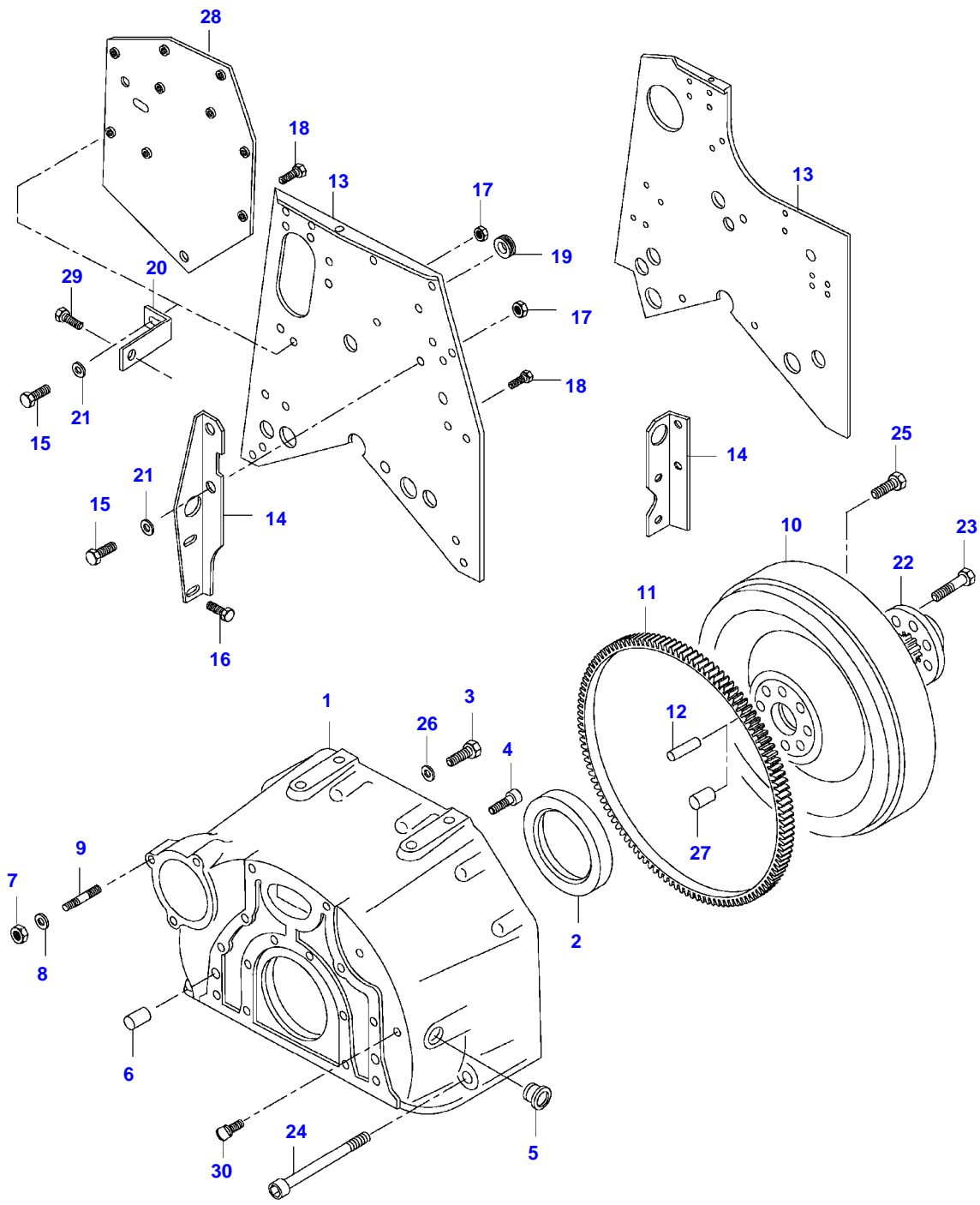
The full manual is available for immediate download.

<https://www.ebooklibonline.com>

| Item | Part Number | Qty | Description Comments | Technical Specification |
|------|-------------|-----|-----------------------------------|-------------------------|
| 1 | V836766377 | 1 | CYLINDER BLOCK | |
| 2 | V836866069 | 1 | CAMSHAFT BEARING BUSHING | |
| 3 | NS | 4 | NON-SERVICEABLE PART | |
| 4 | V836214478 | 8 | BEARING COVER GUIDE SLEEVE | |
| 5 | NS | 1 | NON-SERVICEABLE PART | |
| 6 | V836214478 | 2 | BEARING COVER GUIDE SLEEVE | |
| 7 | V835329030 | 10 | HEX CAP SCREW | |
| 8 | V836666990 | 4 | LINER | |
| | V836647933 | | LINER FLANGE S=9.08 | FLANGE HEIGHT + 0.05 MM |
| | V836647934 | | LINER FLANGE S=9.13 | FLANGE HEIGHT + 0.10 MM |
| | V836647935 | | LINER FLANGE S=9.23 | FLANGE HEIGHT + 0.15 MM |
| 9 | V836647502 | 8 | CYLINDER LINER O-RING S2 | |
| 10 | V836647503 | 4 | CYLINDER LINER O-RING S2 | |
| 11 | V640016016 | 4 | CUP PLUG | |
| 12 | V836529872 | 1 | PLUG | |
| 13 | V640016018 | 1 | CUP PLUG | |
| 14 | V640325110 | 2 | SCREW PLUG | |
| 15 | V615571014 | 2 | SEALING WASHER S2 | |
| 16 | V887283760 | 1 | PRESSURE SWITCH | |
| 17 | V836647927 | 1 | RETAINING PLATE LEFT | |
| | V836647926 | 1 | RETAINING PLATE RIGHT | |
| 18 | V528801362 | 2 | HEX CAP SCREW -H2058(M) | |
| | V528801362 | 4 | HEX CAP SCREW H2059-(M) | |
| 19 | V836647400 | 1 | COVER -H2058(M) | |
| | V836866957 | 1 | COVER H2059-(M) | |
| 20 | V836647401 | 1 | GASKET -H2058(M) | |
| | V836866958 | 1 | GASKET H2059-(M) S2 | |
| 21 | V640325018 | 2 | PLUG | |
| 22 | V615881822 | 2 | SEALING WASHER | |
| 23 | V836019756 | 1 | PLUG | |
| 24 | V836129747 | 1 | OIL DIPSTICK GUIDE PIPE | |
| 25 | V862640001 | 1 | REMANUFACTURED SHORT BLOCK ENGINE | |
| 26 | V615881824 | 1 | SEALING WASHER S2 | |
| 27 | V615881216 | 1 | SEALING WASHER S2 | |
| 28 | V640305012 | 1 | PLUG | |
| 31 | V836755844 | 2 | SUPPORT | |
| 32 | V836664377 | 1 | DRAIN VALVE | |

| Item | Part Number | Qty | Description Comments | Technical Specification |
|------|-------------|-----|----------------------------|-------------------------|
| | V836740280 | 1 | ENGINE GASKET KIT S1 | |
| | V836740281 | 1 | ENGINE GASKET KIT S1+S2 | |

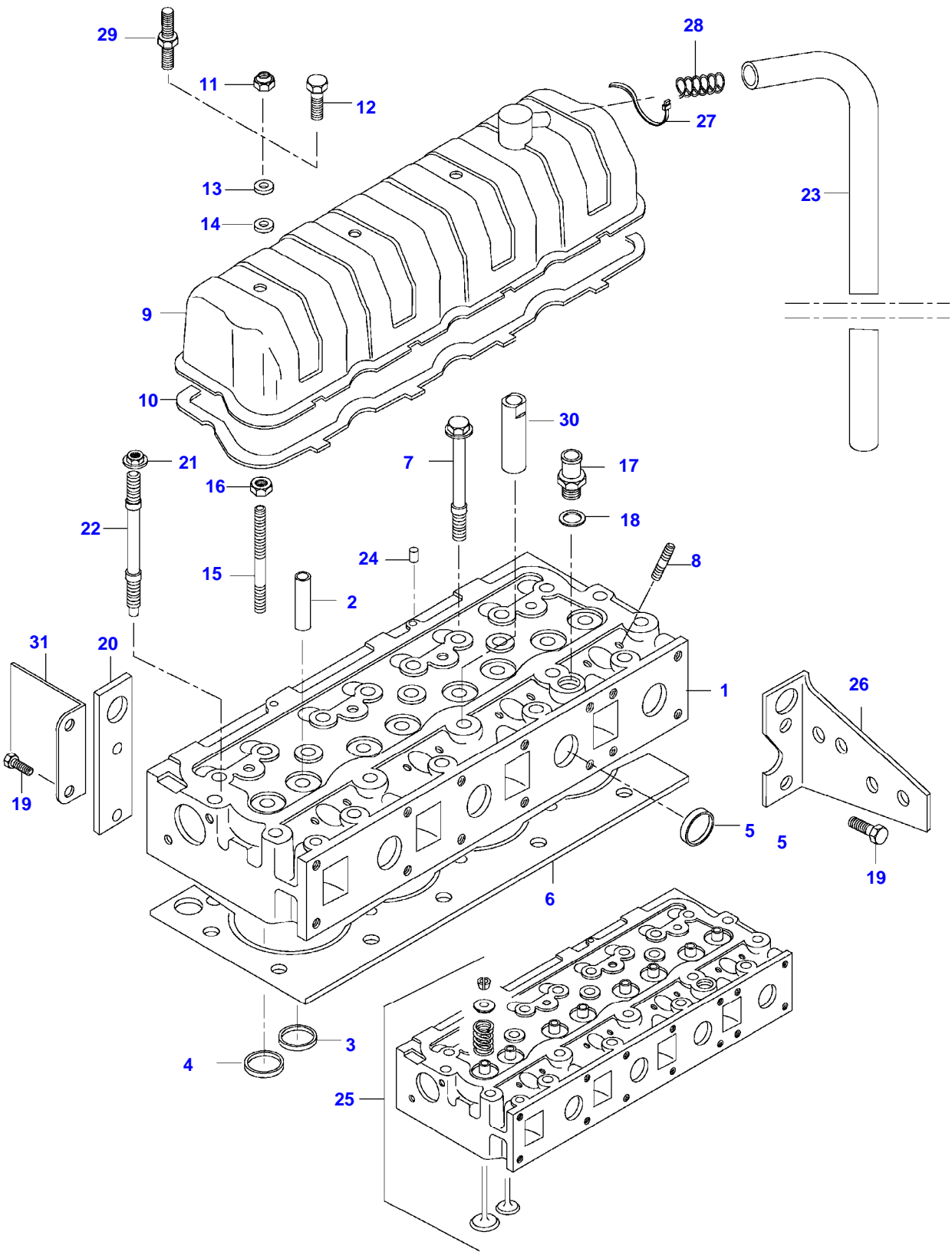
6300 TRACTOR (MEZZO SERIES)
SPIMG-006-21-08



| Item | Part Number | Qty | Description Comments | Technical Specification |
|------|-------------|-----|---|--------------------------------|
| 1 | V836647040 | 1 | FLYWHEEL HOUSING | |
| | V836647439 | 1 | FLYWHEEL HOUSING HYDRAULIC CLUTCH VOITH | |
| | V836146956 | 1 | FLYWHEEL HYDRAULIC CLUTCH TRANSFLUID | |
| 2 | V614500002 | 1 | CRANKSHAFT SEAL S2 | |
| 3 | V529702220 | 8 | HEX CAP SCREW | |
| 4 | V581705030 | 6 | HEX SOCKET SCREW | |
| 5 | V836007572 | 1 | RUBBER PLUG | |
| 6 | V598359850 | 2 | PIN | |
| 7 | V504601000 | 3 | NUT | |
| 8 | V500951000 | 3 | SPRING WASHER | |
| 9 | V546801800 | 3 | STUD BOLT | |
| 10 | V836146784 | 1 | FLYWHEEL | |
| | V836759818 | 1 | FLYWHEEL H17045-(M) | |
| | V836146958 | 1 | FLYWHEEL HYDRAULIC CLUTCH VOITH -666065 | |
| | V836752255 | 1 | FLYWHEEL HYDRAULIC CLUTCH VOITH D 9373-(M) | |
| | V836759820 | 1 | FLYWHEEL HYDRAULIC CLUTCH VOITH 666066- | |
| | V836752257 | 1 | FLYWHEEL HYDRAULIC CLUTCH TRANSFLUID | |
| 11 | V835328783 | 1 | STARTER RING | |
| 12 | V595955060 | 1 | PIN | |
| 13 | V836647590 | 1 | PLATE | |
| | V836755584 | 1 | FLYWHEEL HOUSING UNITED STATES OF AMERICA | |
| 14 | V836647471 | 1 | LIFT EYE -1994 | |
| | V32999100 | 1 | SUPPORT 1995- | |
| | V836755585 | 1 | LIFT EYE UNITED STATES OF AMERICA | |
| 15 | V528801362 | 4 | HEX CAP SCREW | |
| 16 | V528801380 | 2 | HEX CAP SCREW | |
| | V528801800 | 2 | HEX CAP SCREW | |
| 17 | V504800800 | 3 | NUT | |
| 18 | V528802180 | 2 | HEX CAP SCREW | |
| 19 | V835338745 | 1 | RUBBER INLET | |
| 20 | V836755361 | 1 | SUPPORT | |
| 21 | V500150842 | 3 | WASHER | |
| 22 | | 1 | HUB HYDRAULIC CLUTCH SEE PAGE 04-0002 SEE PAGE 04-0003 | |
| 23 | V529902240 | 7 | HEX CAP SCREW HYDRAULIC CLUTCH SEE PAGE 04-0002 SEE PAGE 04-0003 | |
| 24 | VHC9784 | 2 | HEX SOCKET SCREW | M12 X 140 SFS_EN_ISO_4762 12.9 |
| 25 | V528702230 | 8 | HEX CAP SCREW | |

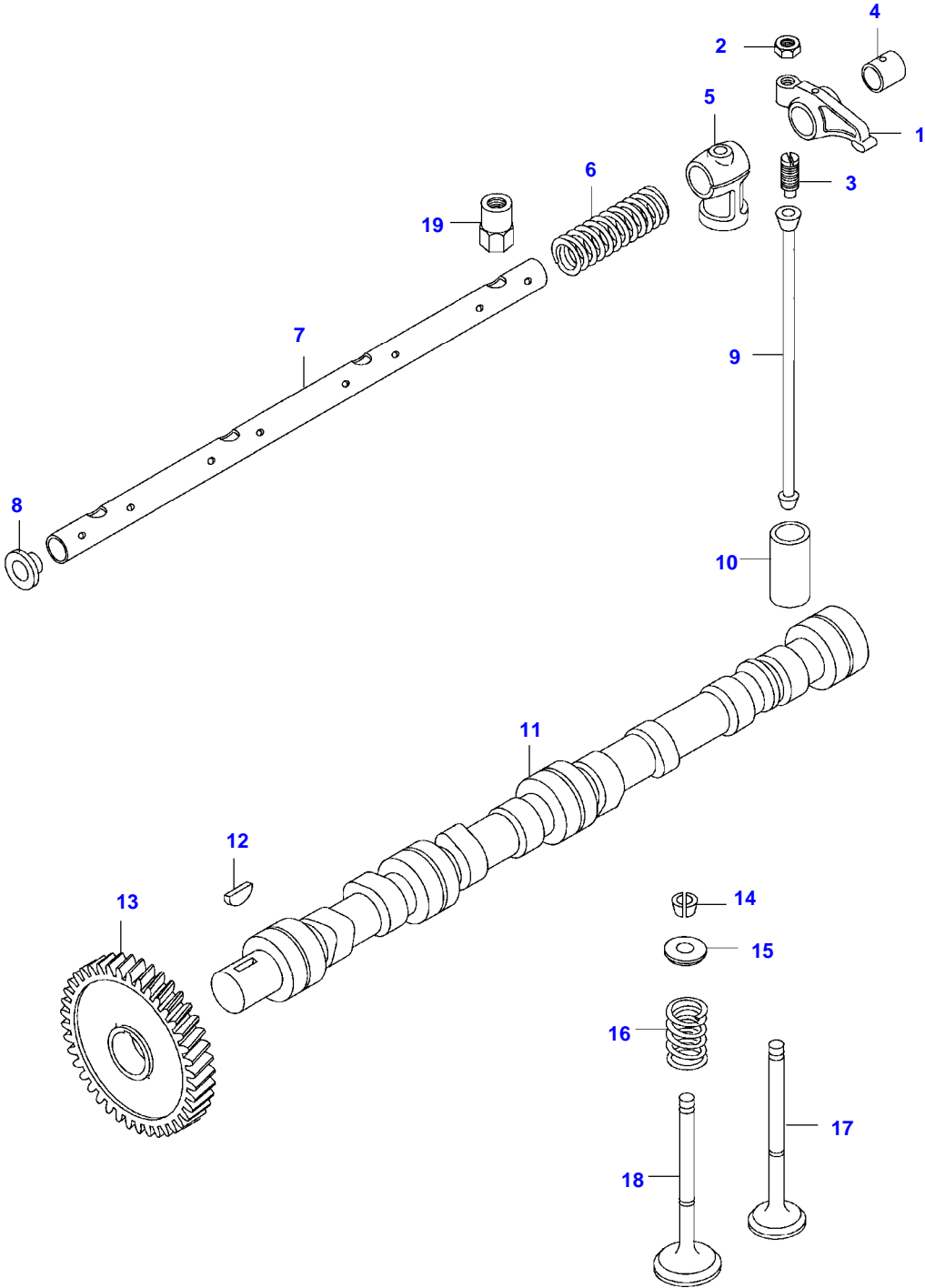
| Item | Part Number | Qty | Description Comments | Technical Specification |
|-------------|--------------------|------------|-----------------------------------|--------------------------------|
| | V529702250 | 8 | HEX CAP SCREW HYDRAULIC CLUTCH | |
| 26 | V500951200 | 8 | SPRING WASHER | |
| 27 | V836659527 | 1 | GUIDE SLEEVE H17045-(M) | |
| 28 | V836759798 | 1 | BRACKET J6780-(M) | |
| 29 | V528801362 | 1 | HEX CAP SCREW | |
| | V528801760 | 1 | HEX CAP SCREW | |
| 30 | V836859311 | 1 | PLUG | |

6300 TRACTOR (MEZZO SERIES)
SPIMG-006-21-16



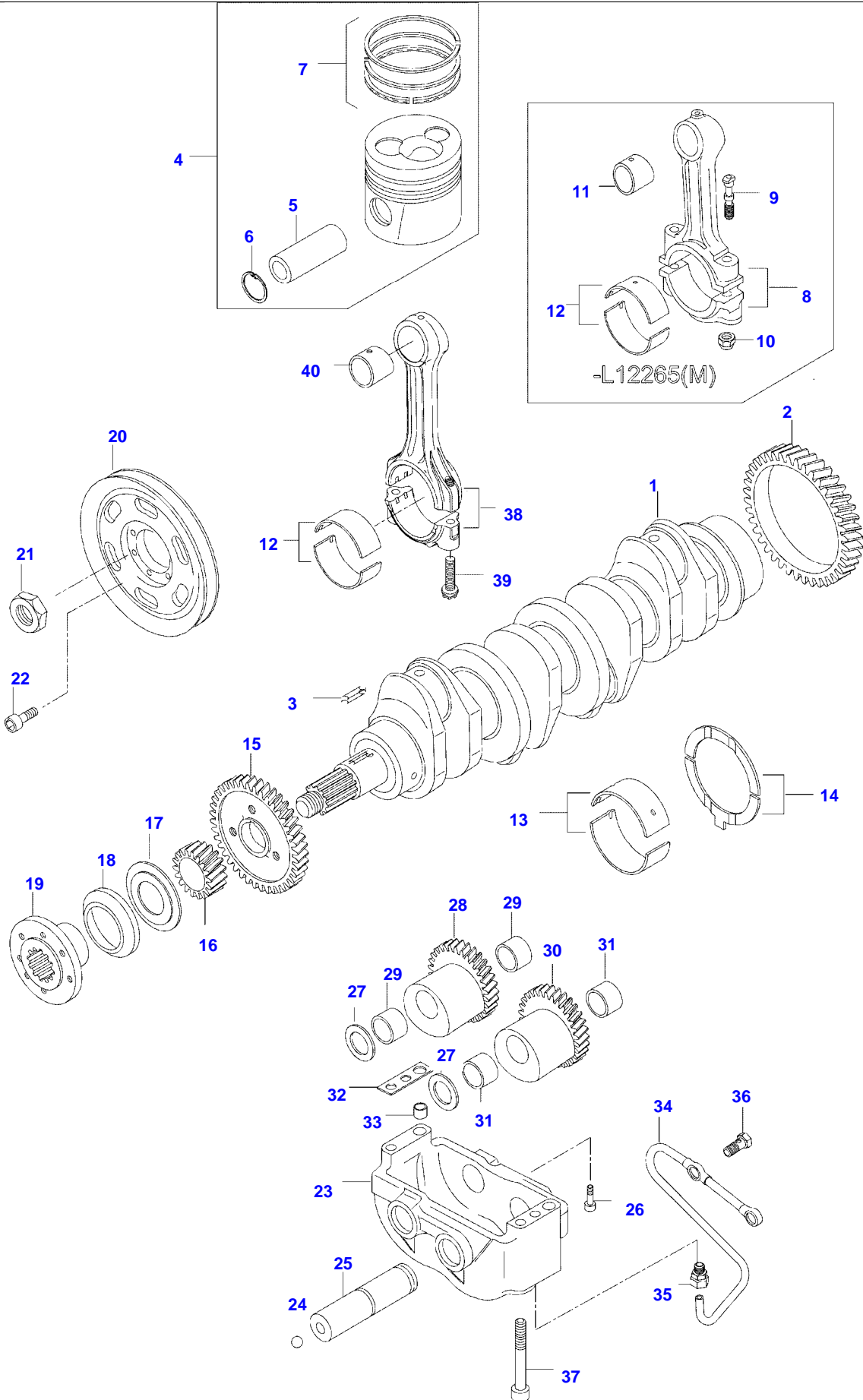
| Item | Part Number | Qty | Description Comments |
|------|-------------|-----|-------------------------------------|
| 1 | V836755383 | 1 | CYLINDER |
| 2 | V836647601 | 8 | GUIDE |
| 3 | V836647600 | 4 | VALVE SEAT |
| 5 | V836647942 | 8 | EXHAUST CUP PLUG |
| 6 | V837070291 | 1 | CYLINDER HEAD GASKET S1 |
| 7 | V836859104 | 20 | HEXAGON FLANGE BOLT -K14993(M) |
| | V836859104 | 19 | HEXAGON FLANGE BOLT K14994-(M) |
| 8 | V546901435 | 8 | STUD BOLT |
| 9 | V836746361 | 1 | VALVE ROCKER COVER |
| 10 | V836746362 | 1 | VALVE ROCKER COVER GASKET S1 |
| 11 | V510601002 | 4 | NUT |
| 12 | V528801780 | 4 | HEX CAP SCREW F9293-(M) |
| 13 | V836119855 | 4 | WASHER |
| 14 | V836012841 | 4 | RUBBER BUSHING S1 |
| 15 | V836652357 | 4 | STUD BOLT -F9292(M) |
| | V546801900 | 4 | STUD BOLT F9293-(M) |
| 16 | V504601000 | 4 | NUT -F9292(M) |
| | V836655406 | 4 | SLEEVE NUT F9293-(M) |
| 17 | V836119837 | 1 | HOSE COUPLER |
| 18 | V615881822 | 1 | SEALING WASHER S1 |
| 19 | V528801380 | 2 | HEX CAP SCREW |
| | V528801800 | 4 | HEX CAP SCREW |
| 20 | V836855349 | 1 | LIFT EYE |
| | V836855349 | 2 | LIFT EYE J6780-(M) |
| 21 | V836859110 | 2 | NUT -K14993(M) |
| | V836859110 | 3 | NUT K14994-(M) |
| 22 | V836859109 | 2 | STUD BOLT -K14993(M) |
| | V836859109 | 3 | STUD BOLT K14994-(M) |
| 23 | V836647814 | 1 | RUBBER HOSE |
| 24 | V595959140 | 2 | PIN |
| 25 | V836740854 | 1 | CYLINDER HEAD |
| 27 | V835329746 | 1 | CABLE TIE |
| 28 | V836659103 | 1 | SPRING |
| 29 | V836659175 | 1 | STUD BOLT K14994-(M) |
| 30 | V836667062 | 1 | LIFTING EYE EXTENSION K14994-(M) |
| 31 | V836666199 | 1 | HEAT SHIELD L8344-(M) |

6300 TRACTOR (MEZZO SERIES)
SPIMG-006-21-22



| Item | Part Number | Qty | Description Comments |
|------|-------------|-----|---|
| | V836746331 | 1 | ROCKER SHAFT ASM -F9292(M) |
| 1 | V835328363 | 8 | ROCKER ARM |
| 2 | V504800800 | 8 | NUT |
| 3 | V836010106 | 8 | VALVE ROCKER ADJUSTMENT SCREW |
| 4 | V836006586 | 8 | BEARING |
| 5 | V836006580 | 4 | BRACKET |
| 6 | V836006582 | 3 | SPRING |
| 7 | V836746330 | 1 | SHAFT |
| 8 | V836655113 | 2 | PLUG |
| | V836767044 | 1 | ROCKER SHAFT ASM F9293-(M) |
| 1 | V836666608 | 8 | ROCKER ARM -S12222(M) |
| | V836667042 | 8 | ROCKER ARM S12223-(M) |
| 2 | V512861000 | 8 | NUT |
| 3 | V836655866 | 8 | ADJUSTING SCREW -S12222(M) |
| | V837069023 | 8 | VALVE ROCKER ADJUSTMENT SCREW S12223-(M) |
| 5 | V836655869 | 4 | BRACKET |
| 6 | V836655884 | 3 | SPRING |
| 7 | V836755871 | 1 | SHAFT |
| 8 | V836655899 | 2 | PLUG -S12222(M) |
| | V837069020 | 2 | PLUG S12223-(M) |
| 9 | V836110237 | 8 | PUSHROD -F9292(M) |
| | V836655867 | 8 | PUSHROD F9293-(M) |
| 10 | V836014264 | 8 | TAPPET |
| 11 | V836746375 | 1 | CAMSHAFT |
| 12 | V603305760 | 1 | WOODRUFF KEY |
| 13 | V836646389 | 1 | GEAR,CAMSHAFT |
| 14 | V836646382 | 16 | COTTER |
| 15 | V836646381 | 15 | WASHER |
| 16 | V836646380 | 8 | SPRING |
| 17 | V836646357 | 4 | EXHAUST VALVE |
| 18 | V836646356 | 4 | INTAKE VALVE |
| 19 | V836655406 | 4 | SLEEVE NUT F9293-(M) |

6300 TRACTOR (MEZZO SERIES)
SPIMG-006-21-28



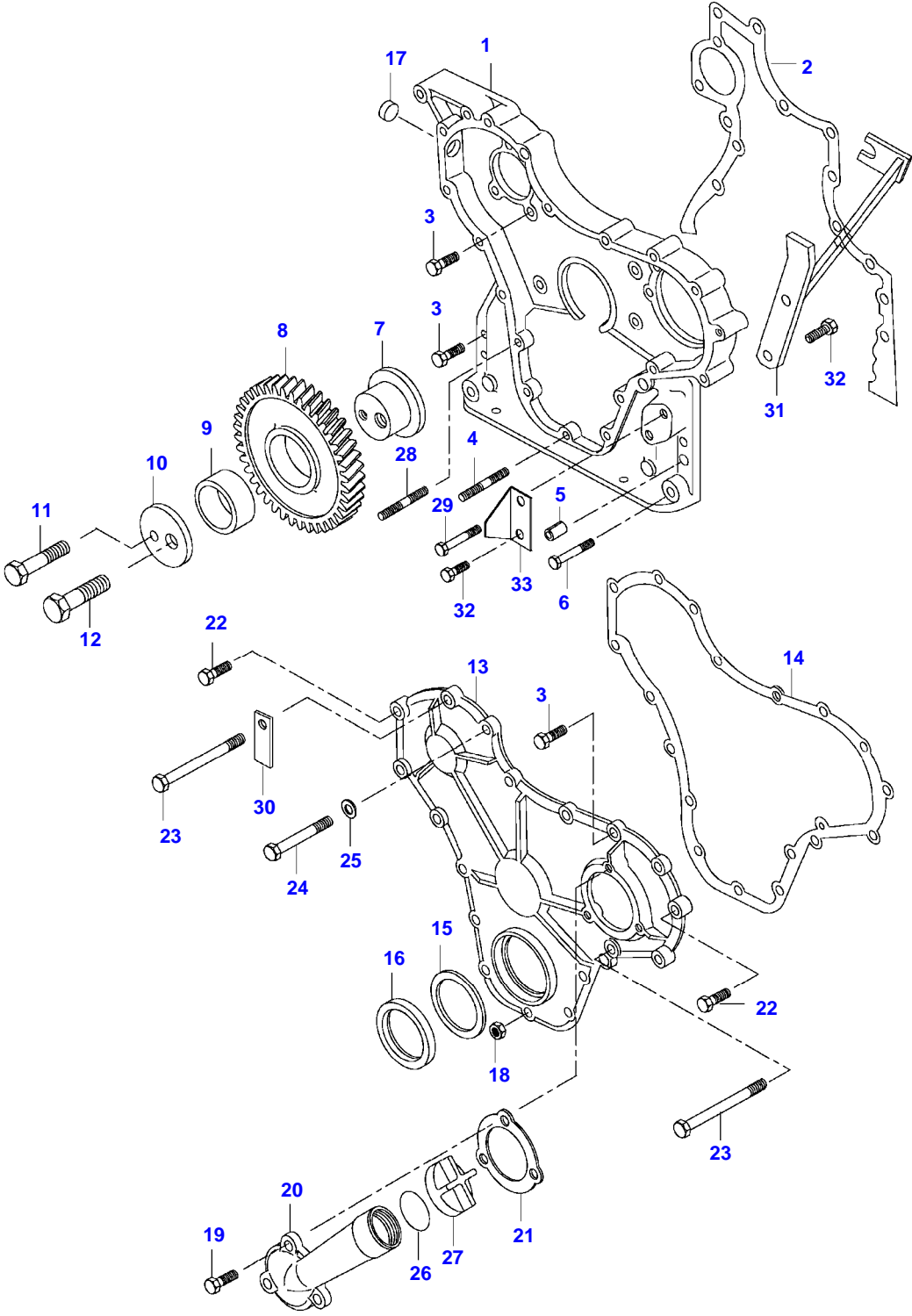
| Item | Part Number | Qty | Description Comments | Technical Specification |
|------|-------------|-----|---------------------------------------|-------------------------|
| 1 | V836747324 | 1 | CRANKSHAFT | |
| 2 | V836124524 | 1 | GEAR | |
| 3 | V603345110 | 1 | KEY | |
| 4 | V836640073 | 4 | PISTON L10006-(M) | |
| 5 | NS | 4 | NON-SERVICEABLE PART | |
| 6 | NS | 8 | PISTON PIN NON-SERVICEABLE PART | |
| 7 | V836640078 | 4 | CIRCLIP PISTON RING KIT | |
| 4 | V836655269 | 4 | KIT, PISTON | |
| | V836659702 | 4 | PISTON N19956-(M) | |
| 5 | NS | 4 | NON-SERVICEABLE PART | |
| 6 | NS | 8 | PISTON PIN NON-SERVICEABLE PART | |
| 7 | V836640126 | 4 | CIRCLIP PISTON RING KIT | |
| 8 | V836647460 | 4 | CONROD 2150-2169 G X -L12265(M) | |
| | V836652104 | | CONROD 2170-2189 G A -L12265(M) | |
| | V836652105 | | CONROD 2190-2209 G B -L12265(M) | |
| | V836652106 | | CONROD 2210-2229 G C -L12265(M) | |
| | V836652107 | | CONROD 2230-2249 G D -L12265(M) | |
| | V836652108 | | CONROD 2250-2269 G E -L12265(M) | |
| | V836652109 | | CONROD 2270-2289 G H -L12265(M) | |
| | V836652110 | | CONROD 2290-2309 G I -L12265(M) | |
| | V836652111 | | CONROD 2310-2329 G J -L12265(M) | |
| | V836652112 | | CONROD 2330-2349 G K -L12265(M) | |
| | V836652113 | | CONROD 2350-2369 G L -L12265(M) | |
| | V836652114 | | CONROD 2370-2389 G M -L12265(M) | |
| | V836652115 | | CONROD 2390-2409 G N -L12265(M) | |

| Item | Part Number | Qty | Description Comments | Technical Specification |
|------|-------------|-----|--|-------------------------|
| | V836652116 | | CONROD 2410-2429 G O -L12265(M) | |
| | V836652117 | | CONROD 2430-2449 G P -L12265(M) | |
| | V836652118 | | CONROD 2450-2469 G R -L12265(M) | |
| | V836652119 | | CONROD 2470-2489 G S -L12265(M) | |
| | V836652120 | | CONROD 2490-2509 G T -L12265(M) | |
| | V836652121 | | CONROD 2510-2529 G U -L12265(M) | |
| 38 | NS | | NON-SERVICEABLE PART CONNECTING ROD 1935-1954 G F L12266-(M) [A] | |
| | NS | | NON-SERVICEABLE PART CONNECTING ROD 1955-1974 G V L12266-(M) [A] | |
| | NS | | NON-SERVICEABLE PART CONNECTING ROD 1975-1994 G X L12266-(M) [A] | |
| | NS | | NON-SERVICEABLE PART CONNECTING ROD 1995-2014 G Y L12266-(M) [A] | |
| | NS | | NON-SERVICEABLE PART CONNECTING ROD 2015-2034 G W L12266-(M) [A] | |
| | NS | | NON-SERVICEABLE PART CONNECTING ROD 2035-2054 G Z L12266-(M) [A] | |
| | NS | | NON-SERVICEABLE PART CONNECTING ROD 2055-2074 G G L12266-(M) [A] | |
| 9 | V836646204 | 8 | CONNECTING ROD BOLT . -L12265(M) | |
| 39 | V836864141 | 8 | CONNECTING ROD BOLT . L12266-(M) [A] | |
| 10 | V836646205 | 8 | NUT . -L12265(M) | |
| 11 | V836646271 | 4 | BEARING BUSH . -L12265(M) | |

| Item | Part Number | Qty | Description Comments | Technical Specification |
|------|-------------|-----|--|-------------------------|
| 40 | V836110646 | 4 | BEARING BUSH . L12266-(M) [A] | STD |
| 12 | V836110552 | 4 | BEARING SHELL SEE PAGE 01-0037 | |
| 13 | V836655514 | 5 | MAIN BEARING SEE PAGE 01-0037 | |
| 14 | V836119459 | 2 | THRUST WASHER SEE PAGE 01-0037 | |
| 15 | V836119550 | 1 | GEAR,CRANKSHAFT | |
| 16 | V836122840 | 1 | GEAR,CRANKSHAFT | |
| 17 | V836129781 | 1 | RING | |
| 18 | V836136271 | 1 | SHIELD | |
| 19 | V836846463 | 1 | CRANKSHAFT HUB | |
| 20 | V836655449 | 1 | CRANKSHAFT V-BELT PULLEY | |
| | V836655534 | 1 | CRANKSHAFT V-BELT PULLEY K14994-(M) | |
| 21 | V836647310 | 1 | CRANKSHAFT NUT | |
| 22 | V581804600 | 6 | HEX SOCKET SCREW | |
| 23 | V836747349 | 1 | BALANCER -L10351(M) | |
| | V836766123 | 1 | COUNTERWEIGHT L10352-(M) | |
| 24 | V616810103 | 2 | BALL | |
| 25 | V836146879 | 2 | SHAFT . | |
| 26 | V581804200 | 2 | HEX SOCKET SCREW . | |
| 27 | V836146880 | 4 | THRUST WASHER . | |
| 28 | V836146877 | 1 | GEAR . | |
| | V836766121 | 1 | -L10351(M) COUNTERWEIGHT . | |
| 29 | V836146876 | 2 | L10352-(M) BEARING BUSH | |
| 30 | V836146878 | 1 | GEAR . | |
| | V836766122 | 1 | -L10351(M) COUNTERWEIGHT . | |
| 31 | V836146876 | 2 | L10352-(M) BEARING BUSH . | |
| 32 | V836119920 | | SHIM | |
| 33 | V598359850 | 2 | PIN | |
| 34 | V836747298 | 1 | OIL PIPE | |
| 35 | V641016008 | 1 | STRAIGHT FITTING | |
| 36 | V640435008 | 2 | BANJO BOLT | |
| 37 | V581805170 | 4 | HEX SOCKET SCREW | |

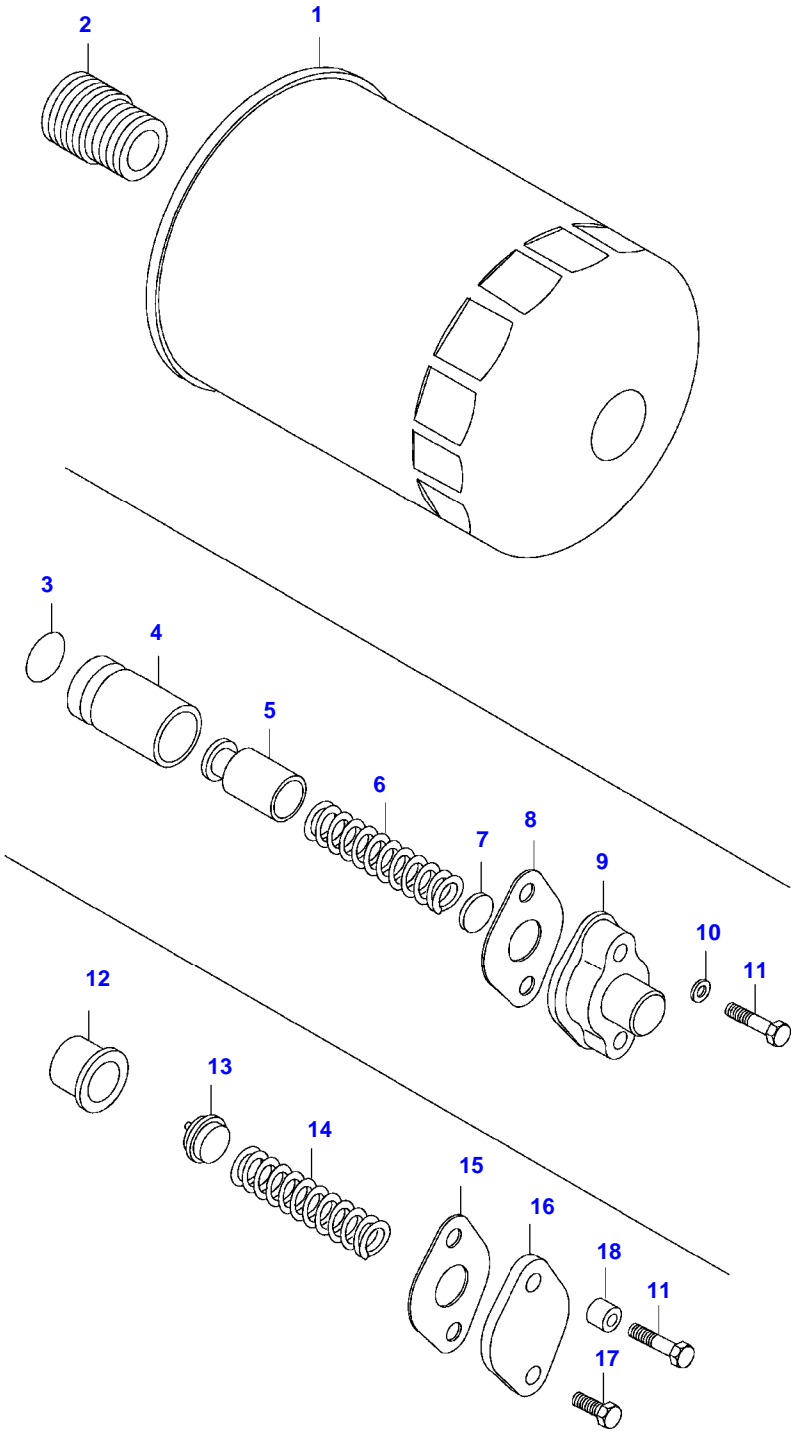
[A] V836740859 CONNECTING ROD SET L12266-(M), REF. 38, 39, 40

6300 TRACTOR (MEZZO SERIES)
SPIMG-006-21-32-



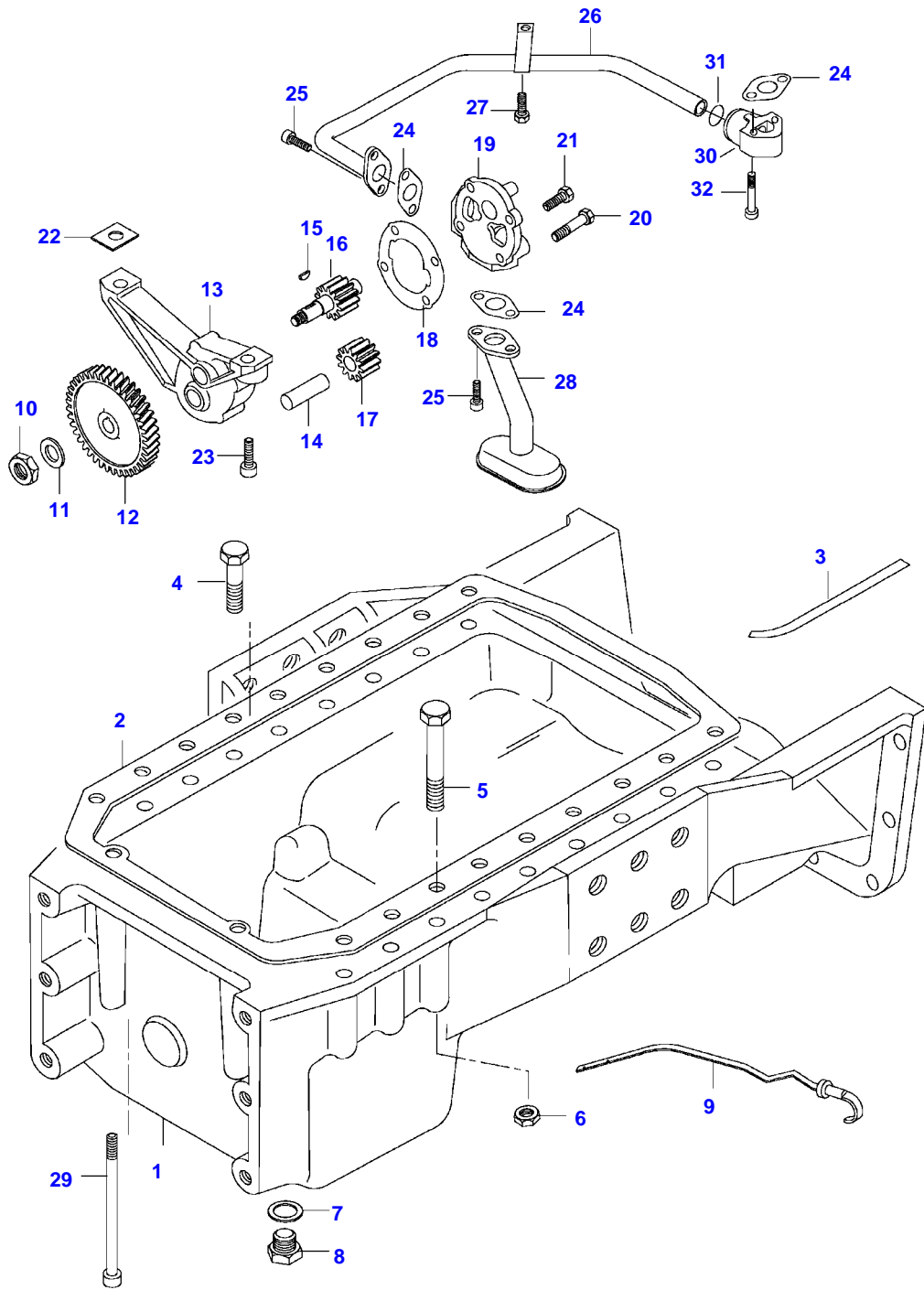
| Item | Part Number | Qty | Description Comments | Technical Specification |
|------|-------------|-----|--|-------------------------|
| 1 | V836647406 | 1 | TIMING GEAR CASE | |
| | V836647865 | 1 | TIMING GEAR CASE UNITED STATES OF AMERICA | |
| | V836666400 | 1 | TIMING GEAR CASE N19956-S9538(M) | |
| | V836667947 | 1 | TIMING GEAR CASE S9539-(M) | |
| 2 | V836647419 | 1 | GASKET S2 | |
| | VUK0182 | 1 | GASKET SEALPASTE S9539-(M) | 250ML |
| 3 | V528801400 | 11 | HEX CAP SCREW | |
| 4 | V546801380 | 4 | STUD BOLT | |
| 5 | V598359850 | 4 | PIN | |
| 6 | V529801440 | 2 | HEX CAP SCREW | |
| 7 | V836129709 | 1 | SHAFT | |
| 8 | V836129863 | 1 | IDLER GEAR | |
| 9 | V836129844 | 1 | BEARING BUSH | |
| 10 | V836129845 | 1 | FLANGE | |
| 11 | V528801860 | 1 | HEX CAP SCREW | |
| 12 | V529902680 | 1 | HEX CAP SCREW | |
| 13 | V836647572 | 1 | GEAR HOUSING FRONT COVER | |
| 14 | V836129942 | 1 | GASKET S2 | |
| | VUK0182 | 1 | GASKET SEALPASTE S9539-(M) | 250ML |
| 15 | V836129782 | 1 | COVER | |
| 16 | V614105880 | 1 | OIL SEAL S2 | |
| 17 | V640016016 | 1 | CUP PLUG | |
| 18 | V504800800 | 5 | NUT | |
| 19 | V528801380 | 3 | HEX CAP SCREW | |
| 20 | V836746921 | 1 | PIPE | |
| 21 | V836129946 | 1 | GASKET S2 | |
| 22 | V528801420 | 4 | HEX CAP SCREW | |
| 23 | V529801500 | 2 | HEX CAP SCREW | |
| 24 | V529801470 | 3 | HEX CAP SCREW | |
| 25 | V836120989 | 1 | WASHER | |
| 26 | V614604740 | 1 | O-RING S2 | |
| 27 | V836338733 | 1 | OIL FILLER CAP | |
| 29 | V529801450 | 1 | HEX CAP SCREW | |
| 31 | V836655512 | 1 | BRACKET UNITED STATES OF AMERICA | |
| | V836664528 | 1 | THROTTLE SENSOR BRACKET UNITED STATES OF AMERICA L8253-(M) | |
| 33 | V836747675 | 1 | TIMING MARK INDICATOR N19956-(M) | |

6300 TRACTOR (MEZZO SERIES)
SPIMG-006-21-34



| Item | Part Number | Qty | Description Comments |
|------|-------------|-----|----------------------------|
| 1 | V836162572 | 1 | ENGINE OIL FILTER |
| 2 | V836647404 | 1 | UNION |
| | V835340042 | | OIL PRESSURE CONTROL VALVE |
| 3 | V614601524 | 1 | O-RING |
| | | | . |
| | | | S2 |
| 4 | V836117834 | 1 | CYLINDER |
| | | | . |
| 5 | V836338850 | 1 | OIL PRESSURE CONTROL VALVE |
| | | | . |
| 6 | V836117836 | 1 | SPRING |
| | | | . |
| 7 | V836020290 | 1 | INJECTOR SHIM |
| | | | . |
| 8 | V836322190 | 1 | GASKET |
| | | | . |
| | | | S2 |
| 9 | V836129849 | 1 | COVER |
| 10 | V500950800 | 1 | SPRING WASHER |
| 11 | V528801420 | 2 | HEX CAP SCREW |
| | V836662129 | | OIL PRESSURE CONTROL VALVE |
| | | | J7602-(M) |
| 12 | V836659521 | 1 | VALVE SEAT |
| | | | . |
| 13 | V836659522 | 1 | VALVE CONE |
| | | | . |
| 14 | V836659523 | 1 | SPRING |
| | | | . |
| 15 | V836322190 | 1 | GASKET |
| | | | . |
| 16 | V836659524 | 1 | COVER |
| | | | . |
| 17 | V528801380 | 1 | HEX CAP SCREW |
| | | | . |
| 18 | V836136337 | 1 | SPACER PIECE |
| | | | . |

6300 TRACTOR (MEZZO SERIES)
SPIMG-006-21-40



| Item | Part Number | Qty | Description Comments |
|------|-------------|-----|-----------------------------------|
| 1 | V836136014 | 1 | OIL SUMP (V30146600) |
| 2 | V836129728 | 1 | OIL SUMP GASKET S2 |
| 3 | V836129727 | 2 | GASKET S2 |
| 4 | V529702270 | 11 | HEX CAP SCREW |
| 5 | V529902390 | 7 | HEX CAP SCREW |
| 6 | V504801200 | 18 | NUT |
| 7 | V615882432 | 1 | SEALING WASHER S2 |
| | V615881827 | 1 | SEALING WASHER S2 |
| 8 | V836655495 | 1 | PLUG |
| | V836655493 | 1 | PLUG |
| 9 | V836129939 | 1 | DIPSTICK -R13715(M) |
| | V836767743 | 1 | DIPSTICK R13716-(M) BLUE |
| | V836129413 | 1 | OIL PUMP -C1327(M) |
| | V836652605 | 1 | LUBRICATING OIL PUMP C1328-(M) |
| 10 | V504861000 | 1 | NUT |
| 11 | V836122910 | 1 | WASHER |
| 12 | V836112362 | 1 | GEAR . -C1327(M) |
| | V836338667 | 1 | GEAR . C1328-(M) |
| 13 | V836120195 | 1 | HOUSING . |
| 14 | V836120191 | 1 | OIL PUMP SHAFT . |
| 15 | V603305530 | 1 | KEY . -C1327(M) |
| 16 | V836120194 | 1 | GEAR . -C1327(M) |
| | V836652600 | 1 | OIL PUMP SHAFT . C1328-(M) |
| 17 | V836120193 | 1 | GEAR . |
| 18 | V836119796 | 1 | GASKET . S2 |
| 19 | V836129412 | 1 | COVER . |
| 20 | V529801440 | 2 | HEX CAP SCREW . |
| 21 | V528801380 | 2 | HEX CAP SCREW . |
| 22 | V836007871 | | SHIM |
| 23 | V581805050 | 2 | HEX SOCKET SCREW |
| 24 | V836008449 | 3 | GASKET S2 |
| 25 | V581804600 | 4 | HEX SOCKET SCREW |
| 26 | V836766983 | 1 | OIL PIPE |
| 27 | V528801760 | 1 | HEX CAP SCREW |
| 28 | V836138033 | 1 | AIR PIPE |

Valtra

6300 TRACTOR (MEZZO SERIES)

VFZ6300

OIL SUMP

Page01-0008

| Item | Part Number | Qty | Description Comments |
|------|-------------|-----|-------------------------|
| 29 | V581704800 | 2 | HEX SOCKET SCREW |
| 30 | V836766984 | 1 | ADAPTER FLANGE |
| 31 | V614701830 | 1 | O-RING |
| 32 | V581804680 | 2 | HEX SOCKET SCREW |



Suggest:

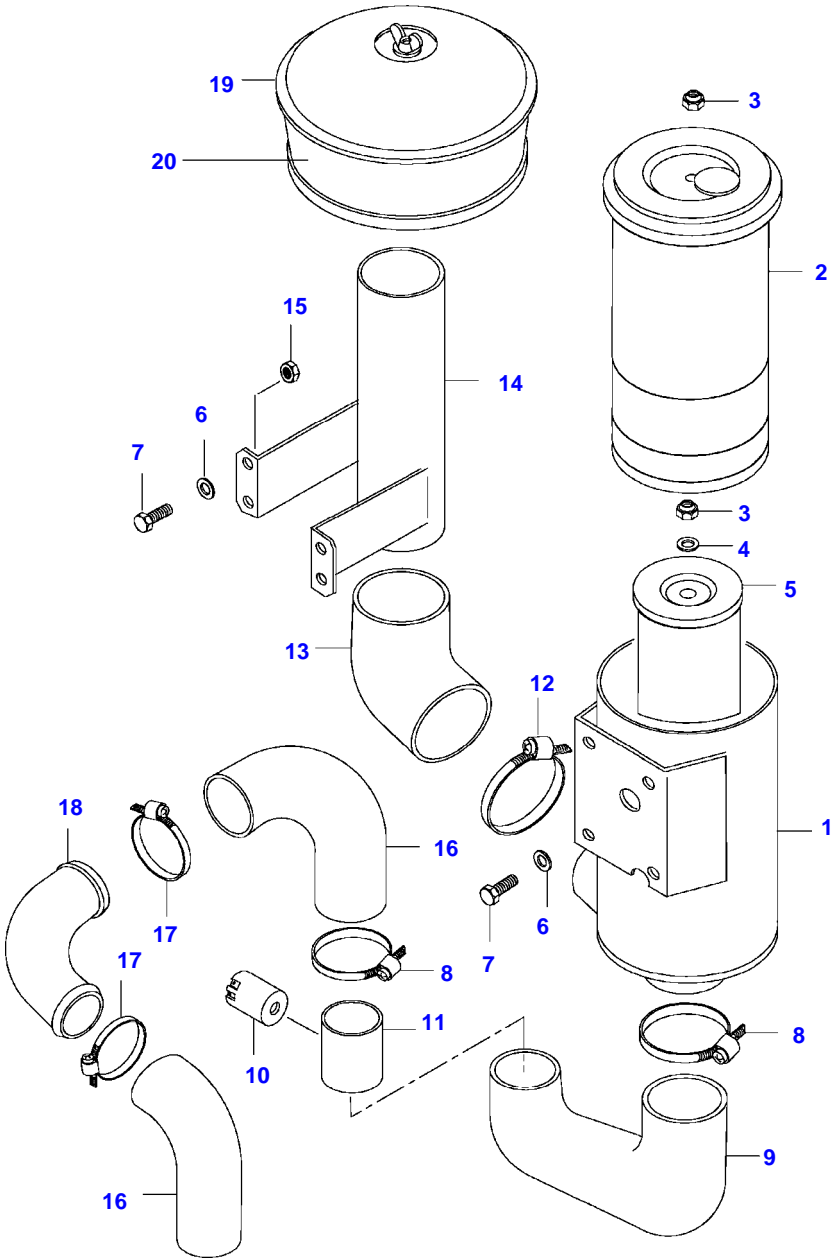
For more complete manuals. Please go to the home page.

<https://www.ebooklibonline.com>

If the above button click is invalid. Please download this document first, and then click the above link to download the complete manual.

Thank you so much for reading

6300 TRACTOR (MEZZO SERIES)
SPIMG-006-21-46



| Item | Part Number | Qty | Description Comments |
|------|------------------|-----|------------------------------------|
| | | | -F17108 |
| 1 | V836646966 NS | 1 | AIR FILTER NON-SERVICEABLE PART |
| 2 | V20236409 | 1 | HOUSING FILTER ELEMENT |
| 3 | V510200802 | 2 | NUT |
| 4 | V836015967 | 2 | SEALING WASHER |
| 5 | V20228655 | 1 | FILTER ELEMENT |
| 6 | V500150842 | 8 | WASHER |
| 7 | V528801362 | 8 | HEX CAP SCREW |
| 8 | V602096595 | 3 | HOSE CLIP |
| 9 | V836647591 | 1 | RUBBER HOSE |
| 10 | V836116325 | 1 | SENDER |
| 11 | V836138277 | 1 | AIR PIPE |
| 12 | V602097112 | 2 | HOSE CLIP |
| 13 | V836138272 | 1 | RUBBER ELBOW |
| 14 | V836646968 | 1 | AIR PIPE |
| 15 | V504800802 | 4 | NUT |
| 16 | V836747593 | 1 | RUBBER ELBOW |
| 17 | V602094575 | 1 | HOSE CLIP |
| 19 | V836116039 | 1 | CYCLONE |
| 20 | V836130078 | 1 | HOUSING |

<https://www.ebooklibonline.com>

Hello dear friend!

Thank you very much for reading.

Enter the link into your browser.

The full manual is available for immediate download.

<https://www.ebooklibonline.com>