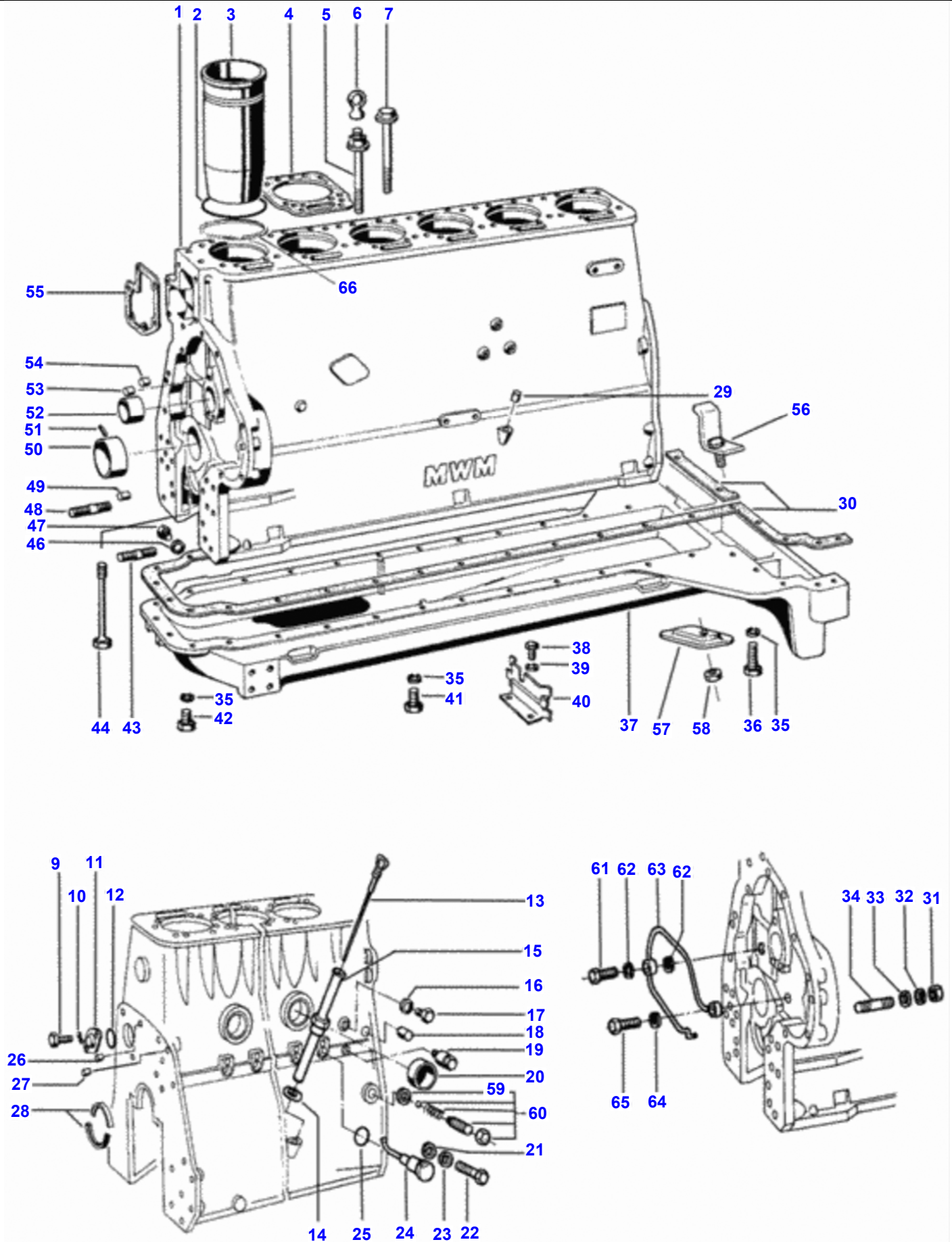


Page Title	Page Number
Cylinder Block	020-0010
Front Cover And Flywheel Housing	020-0015
Cylinder Head	020-0020
Valve Mechanism	020-0025
Crankshaft Mechanism	020-0030
Piston And Rod	020-0035
Oil Pump	020-0040
Inlet And Exhaust Manifold	020-0045
Exhaust Bend	020-0050
Muffler	020-0055
Turbocharger	020-0060
Air Filter	020-0065
Instalation Air Filter	020-0070
Sedimentation Filter	020-0075
Fuel Filter	020-0080
Fuel Pipes System	020-0085
Injection Pump	020-0090
Feed Pump	020-0095
Injector	020-0100
Lubrificant Oil Filter	020-0105
Throttle System	020-0110
Throttle System	020-0115
Radiator	020-0120
Water Pump	020-0125
Gasket Kit	020-0130
Engine Repair Kit	020-0135

1780 TRACTOR (BR) - C178004  
0000691



## Cylinder Block

Item	Part Number	Qty	Description	Comments
1	V81217600	1	Cylinder Block	
2	V149320	12	O-Ring	
3	V135860	6	Cylinder Liner	
4	V143810	6	Cylinder	
5	V111000	2	Cylinder	
6	V111140	2	Lift Ring	
7	V110990	22	Bolt	
9	V117190	2	Bolt M8X35Mm	
10	V116890	2	Washer	
11	V146530	1	Seal Cover	
12	V117710	1	O-Ring	
13	V135870	1	Dipstick	
14	V132650	2	Seal Washer	
15	V82605700	1	Pipe	
16	V116310	1	Collet	
17	V148730	1	Plug 3/8-18 Npsf	
18	V141340	11	Pad	
19	V135900	1	Relief Valve	
20	V111450	3	Seal Cover	
21	V135910	6	Washer	
22	VHA6322	6	Screw	
23	VJD3108	6	Washer	
24	V135920	6	Oil Injector	
25	V135930	6	O-Ring	
26	V142740	2	Guide Pin	
27	V142730	2	Guide Pin	
28	V135940	2	Stop Ring	
	V135950	2	Thrust	
29	V141350	2	Seal Cover	
30	V115710	1	Gasket Sump	
31	VJB1110	4	Nut	
32	V116950	4	Tooth Washer	
33	V116940	4	Washer	
34	V116810	4	Dog	
35	VJD3108	39	Washer	
36	V120700	3	Bolt	
37	V117740	1	Sump	
38	V117760	2	Bolt	
39	VJD3108	2	Washer	
40	V115660	1	Balance Plate	
41	V117100	30	Bolt	
42	V117770	6	Bolt	
43	V111360	2	Dog	
44	V110990	14	Bolt	
46	V81288900	1	Seal Washer	
47	V81288800	1	Sump Plug	
48	V115720	4	Dog	
49	V142730	2	Guide Pin	
50	V135970	7	1St	
	V135980	7	2Nd	
	V135990	7	3Rd	
	V136000	7	4Th	
	V135960	7	Big-End	
51	V111030	7	Pressure Pin	
52	V110980	4	Bush	
53	V142360	3	Seal Pin	14mm
54	V142370	2	Pad	16mm
55	V111120	1	Gasket	
56	V195810	1	Bracket	
57	V229600	1	Cover	
58	VJB1106	1	Washer	
59	V135530	1	Seal Washer	
60	V142410	1	Dust Valve	
61	V80962900	1	Banjo Bolt	
62	V118550	2	Seal Washer	1780
63	V82601700	1	Lubricant Tube	1780
64	V141710	1	Seal Washer	
65	V117640	1	Bolt	

**<https://www.ebooklibonline.com>**

Hello dear friend!

Thank you very much for reading.

Enter the link into your browser.

The full manual is available for immediate download.

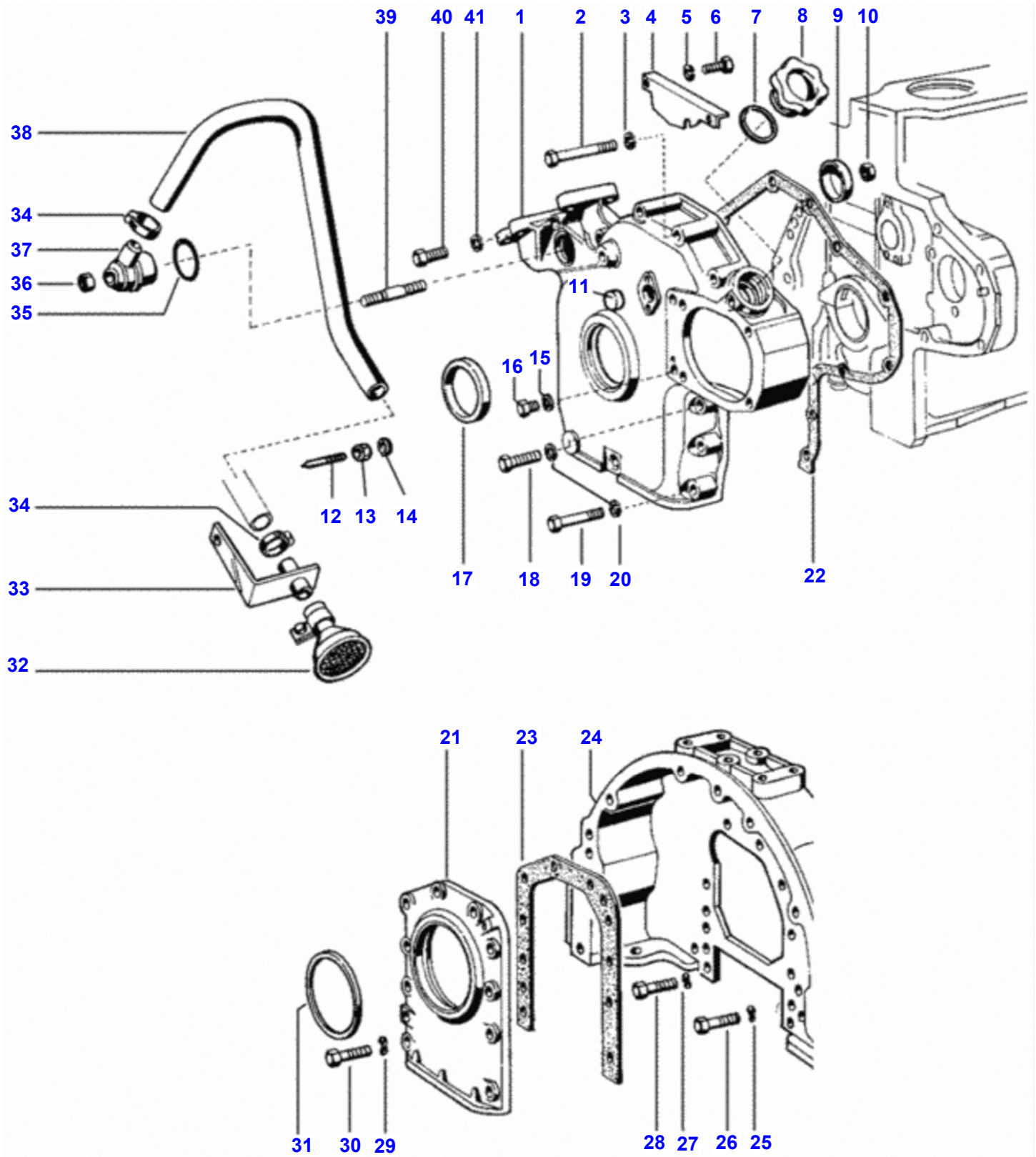
**<https://www.ebooklibonline.com>**

Cylinder Block

Item	Part Number	Qty	Description	Comments
66	V143960	1	Shim 0.20 Mm	[A]
	V143950	1	Shim 0.15 Mm	[A]
	V143940	1	Shim 0.10 Mm	[A]
	V143930	1	Shim 0.05Mm	[A]

FOOTNOTE [A] ACCORDING TO NECESSITY

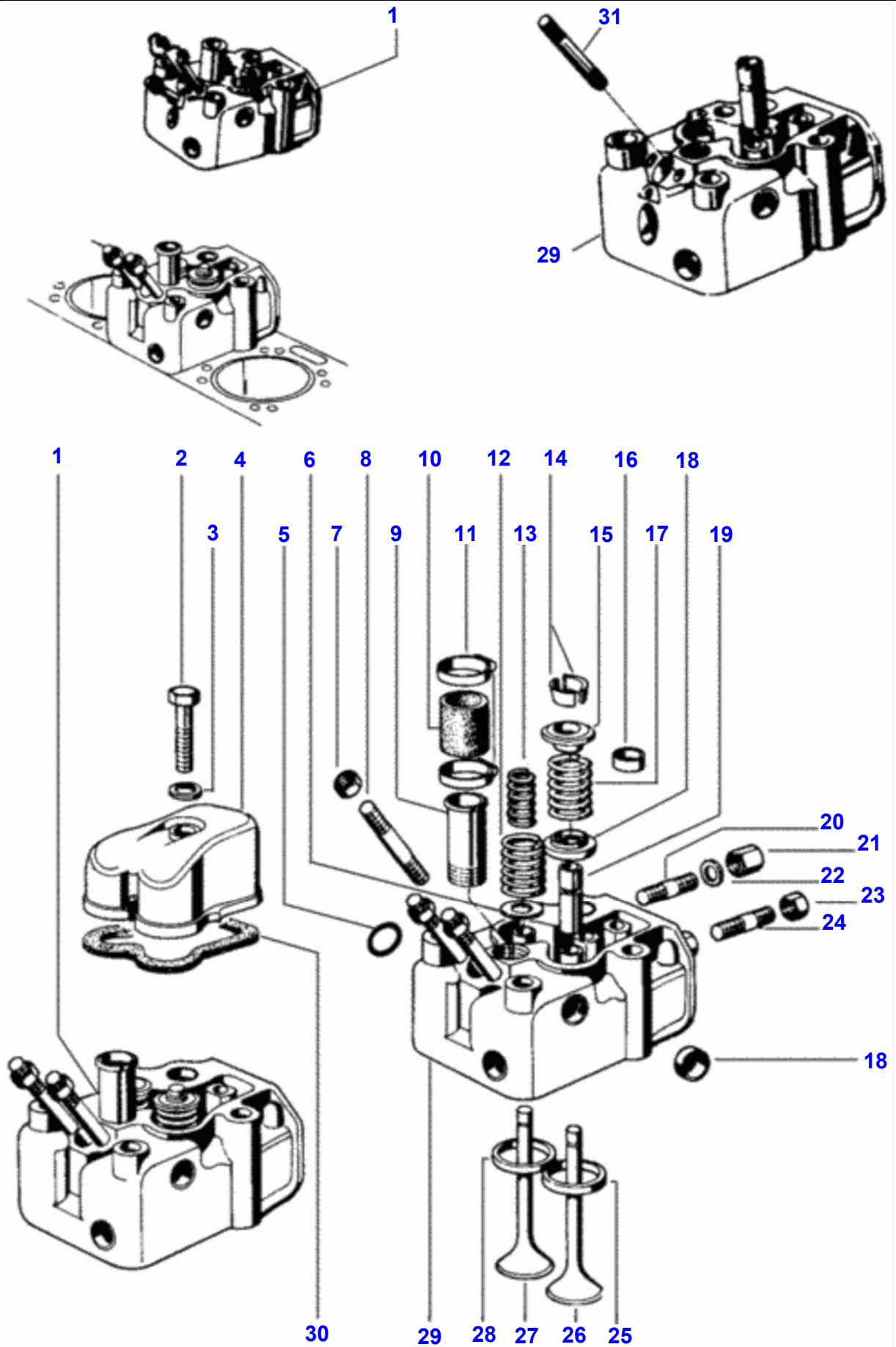
1780 TRACTOR (BR) - C178004  
00000693



## Front Cover And Flywheel Housing

Item	Part Number	Qty	Description
1	V133800	1	Front Cover
2	V117120	5	Bolt
3	VJD3108	5	Washer
4	V136010	1	Baffle Plate
5	V117570	2	Washer
6	V125240	2	Bolt
7	V117000	1	O-Ring
8	V116990	1	Filler Cap
9	V111600	1	Protector Plate
10	V111630	1	Nut
11	V110970	1	Seal Cover
12	V80974000	1	T.D.C. Indicator
13	VJB1108	2	Nut
14	VJD3108	2	Washer
15	V141710	1	Seal Washer
16	V111500	1	Bolt
17	V111560	1	Seal
18	V111660	3	Bolt
19	V117090	4	Bolt
20	VJD3108	7	Washer
21	V111510	1	Rear Cover
22	V111640	1	Gasket
23	V111530	1	Gasket
24	V148750	1	Flywheel Housing
25	V117030	12	Washer
26	V118470	12	Bolt
27	V117050	6	Spring Washer
28	V149150	6	Bolt
29	V116890	10	Washer
30	V117190	10	Bolt M8X35Mm
31	V111520	1	Seal
32	V136020	1	Breather Filter
33	V136040	1	Bracket
34	VGP3918	2	Clamp
35	V111340	1	O-Ring
36	V111630	1	Nut
37	V136050	1	Breather Cover
38	V136070	1	Hose
39	V111590	1	Dog
40	V117100	1	Bolt
41	VJD3108	2	Washer

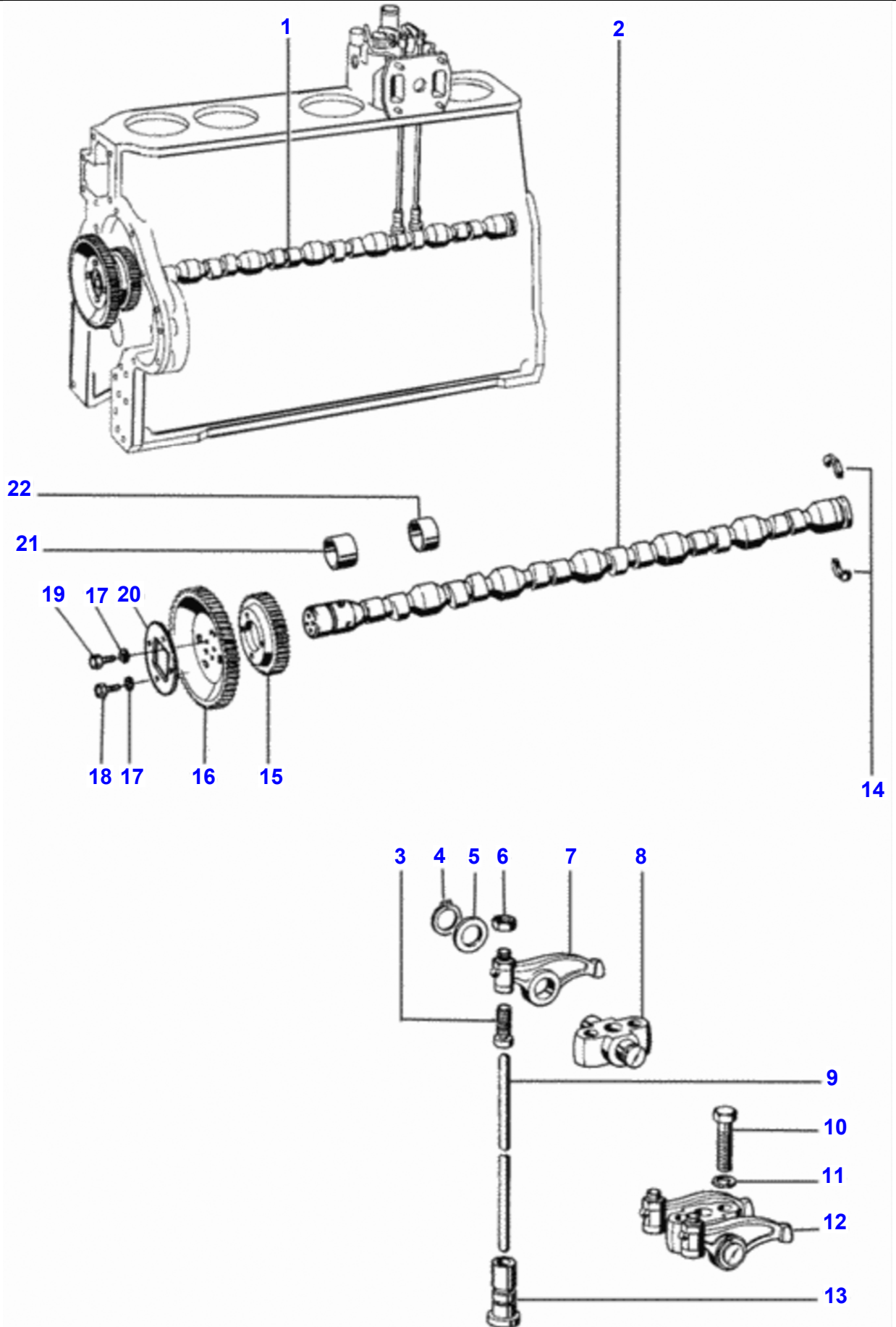
1780 TRACTOR (BR) - C178004  
00000694



## Cylinder Head

Item	Part Number	Qty	Description
1	V81216300	6	Complete
2	V121390	6	Bolt
3	V112620	6	Seal Washer
4	V149330	6	Valve Cover
5	V117300	6	O-Ring
6	V136320	6	Lower Disc
7	VJB1108	12	Nut
8	V142270	12	Dog
9	V112550	6	Pipe
10	V112570	6	Hose
11	VGP3918	12	Clamp
12	V136330	6	Outer Spring
13	V136340	6	Inner Spring
14	V116030	24	Valve Cotter
15	V112450	12	Upper Disc
16	V112480	30	Seal Cover
17	V116020	12	Valve Spring
18	V81348000	6	Specil
19	V117330	12	Valve Guide Std
	V81291200	12	Valve
20	V136360	12	Dog
21	V136370	12	Nut
22	V116080	12	Washer
23	V133670	12	Nut
24	V116810	6	Dog
25	V80963400	6	Intake
26	V136400	6	Intake Valve
27	V136411	6	Exhaust Vale
28	V80963500	6	Exhaust
29	V81216300	6	Complete
30	V149340	6	Gasket
31	V140090	12	Dog

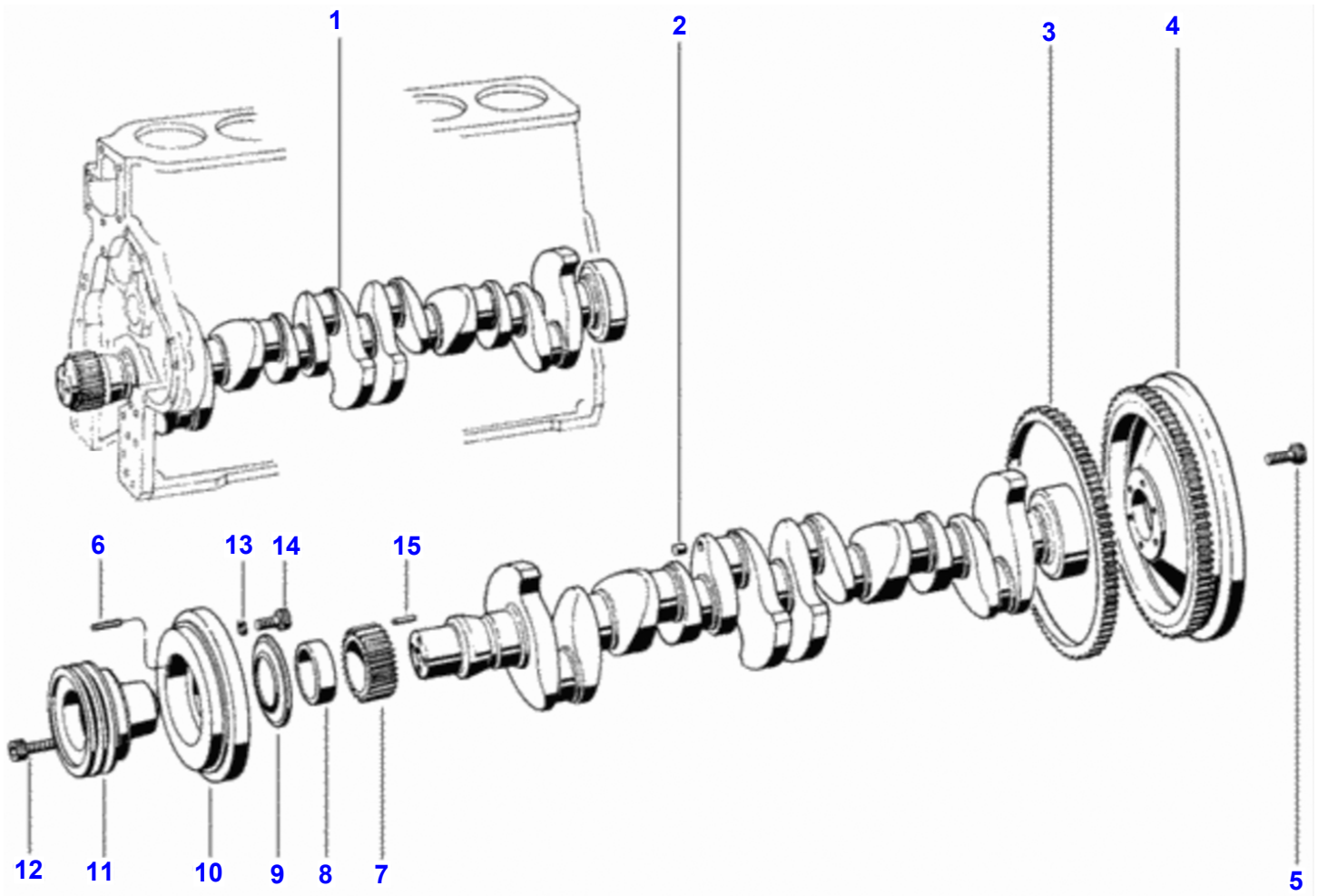
1780 TRACTOR (BR) - C178004  
0000695



## Valve Mechanism

Item	Part Number	Qty	Description
1	V80974400	1	Complete
2	V80974500	1	Valve
3	V112170	12	Adjusting Screw
4	V112190	12	Circlip
5	V112180	12	Rocker
6	VJB1108	12	Nut
7	V149370	12	Assy Rocker Arm
8	V149350	6	Rocker
9	V112201	12	Push Rod
10	V117150	12	Bolt
11	VJD3110	12	Pressure Washer
12	V149360	6	Complete
13	V112210	12	Rocker
14	V115950	1	Setting Ring
15	V112000	1	Gear
16	V111990	1	Gear
17	VJD3108	8	Washer
18	V117190	4	Bolt M8X35Mm
19	V80974600	4	Bolt
20	V112020	1	Lock
21	V112120	2	Bushing
22	V112130	5	Bushing

1780 TRACTOR (BR) - C178004  
00000697

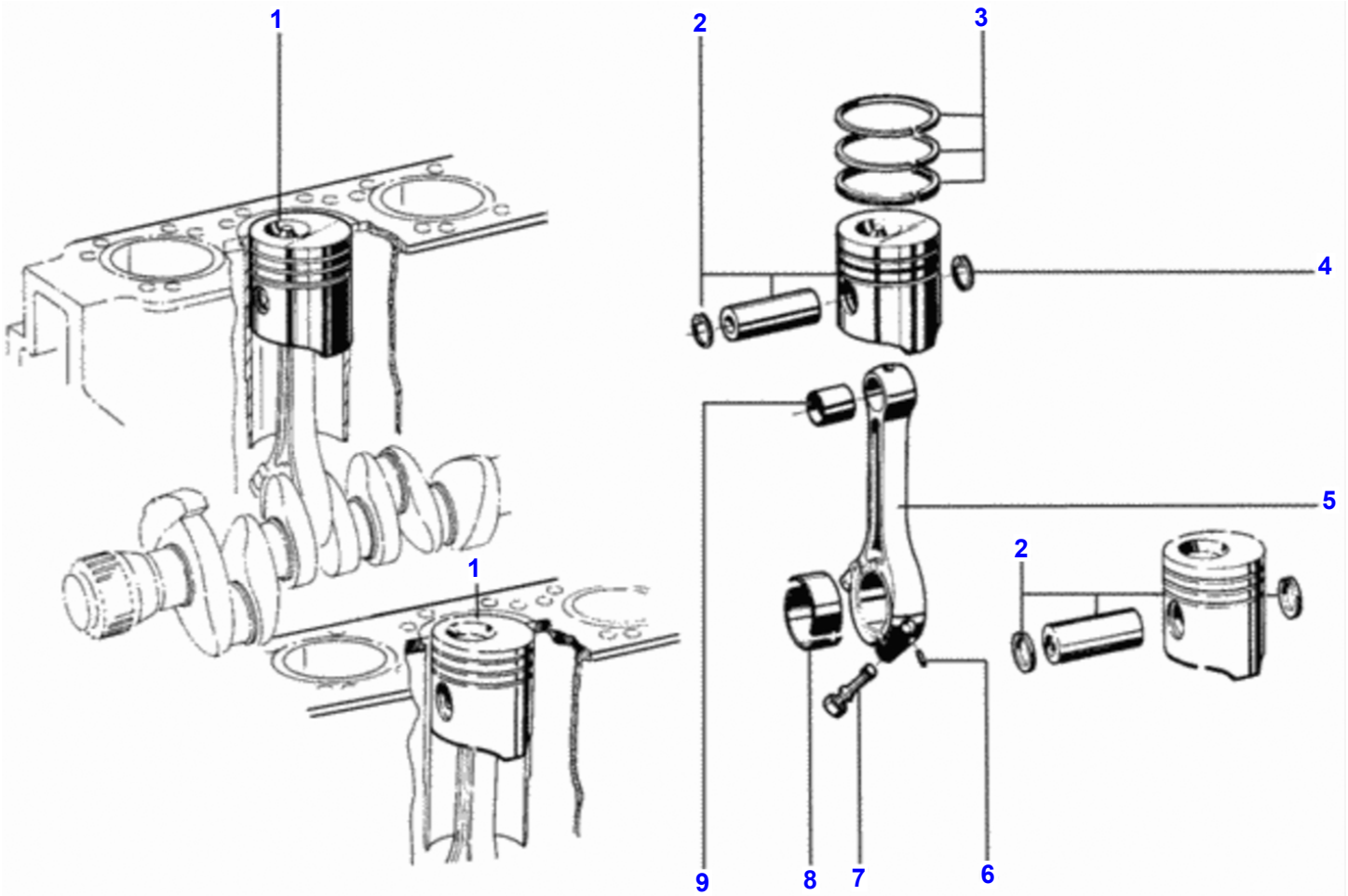


## Crankshaft Mechanism

Item	Part Number	Qty	Description	Comments
1	V81364400	1	Complete	
2	V142390	6	Pad	
3	V222340	1	Flywheel	
4	V81267100	1	Flywheel	[A]
	V80876100	1	Flywheel	
5	V81214700	6	Bolt	
6	V118680	1	Key	
7	V136130	1	Gear	
8	V136140	1	Pulley Bushing	
9	V136150	1	Dust Deflector	
10	V80974200	1	Vibration Damper	
11	V149660	1	Pulley	
12	V136180	4	Bolt	
13	VJD3110	6	Pressure Washer	
14	V136190	6	Bolt	
15	V118680	1	Key	

FOOTNOTE [A] FOR DOUBLE CLUTCH

1780 TRACTOR (BR) - C178004  
0000698





**Suggest:**

**For more complete manuals. Please go to the home page.**

**<https://www.ebooklibonline.com>**

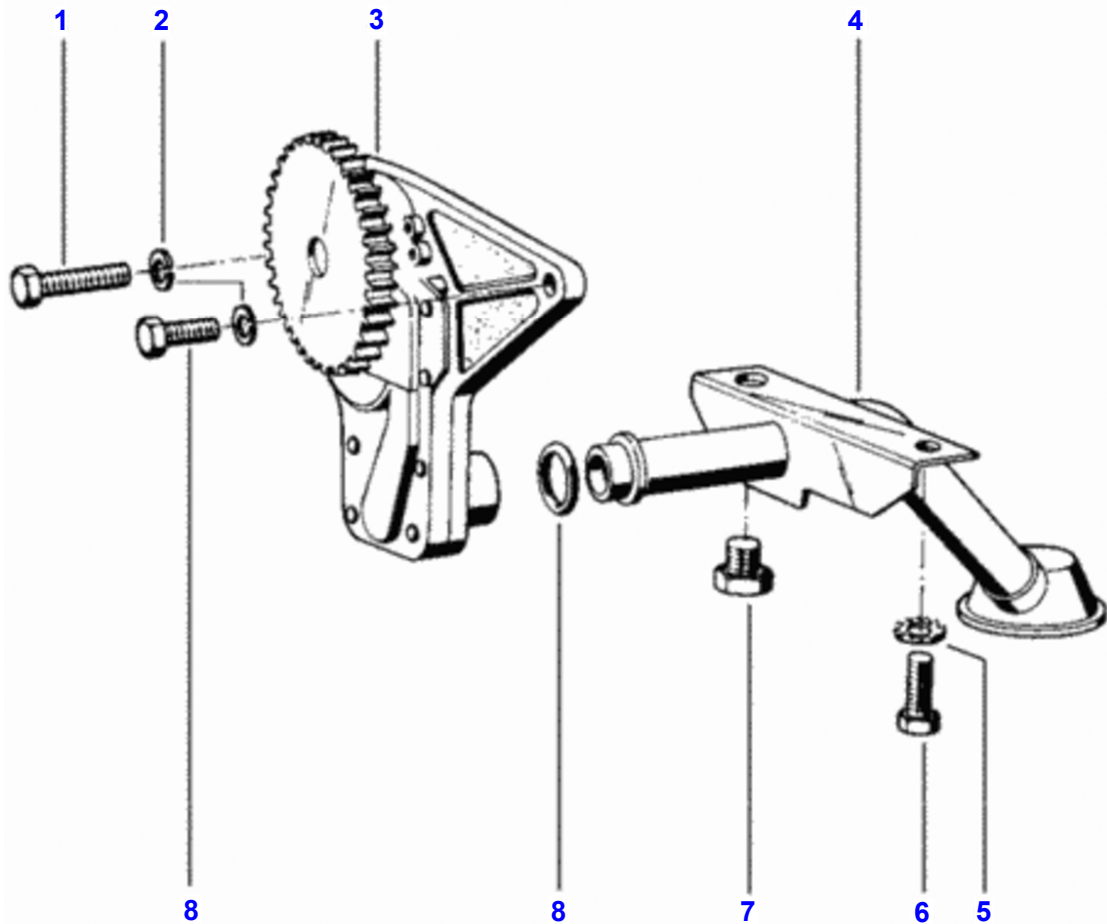
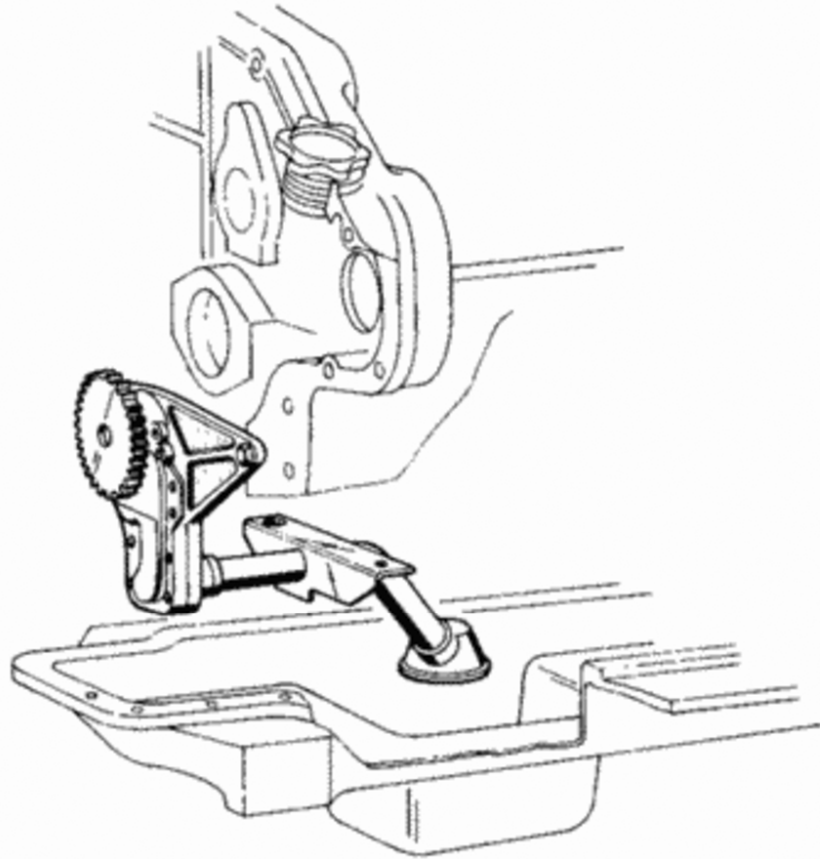
**If the above button click is invalid. Please download this document first, and then click the above link to download the complete manual.**

**Thank you so much for reading**

## Piston And Rod

Item	Part Number	Qty	Description	Comments
1	V81140700	6	Assy Piston	Ref. 2,3,4
2	V81140800	6	Piston	
3	V145370	6	Piston Ring Set	
4	V136230	12	Circlip	
5	V136240	6	Connecting Rod	
6	V116000	6	Pressure Pin	
7	V112300	12	Bolt	
8	V136290	6	4Th	
	V136280	6	3Rd	
	V136270	6	2Nd	
	V136250	6	Big-End	
	V136260	6	Big-End	
9	V136300	6	Bush	

1780 TRACTOR (BR) - C178004  
0000700



**<https://www.ebooklibonline.com>**

Hello dear friend!

Thank you very much for reading.

Enter the link into your browser.

The full manual is available for immediate download.

**<https://www.ebooklibonline.com>**