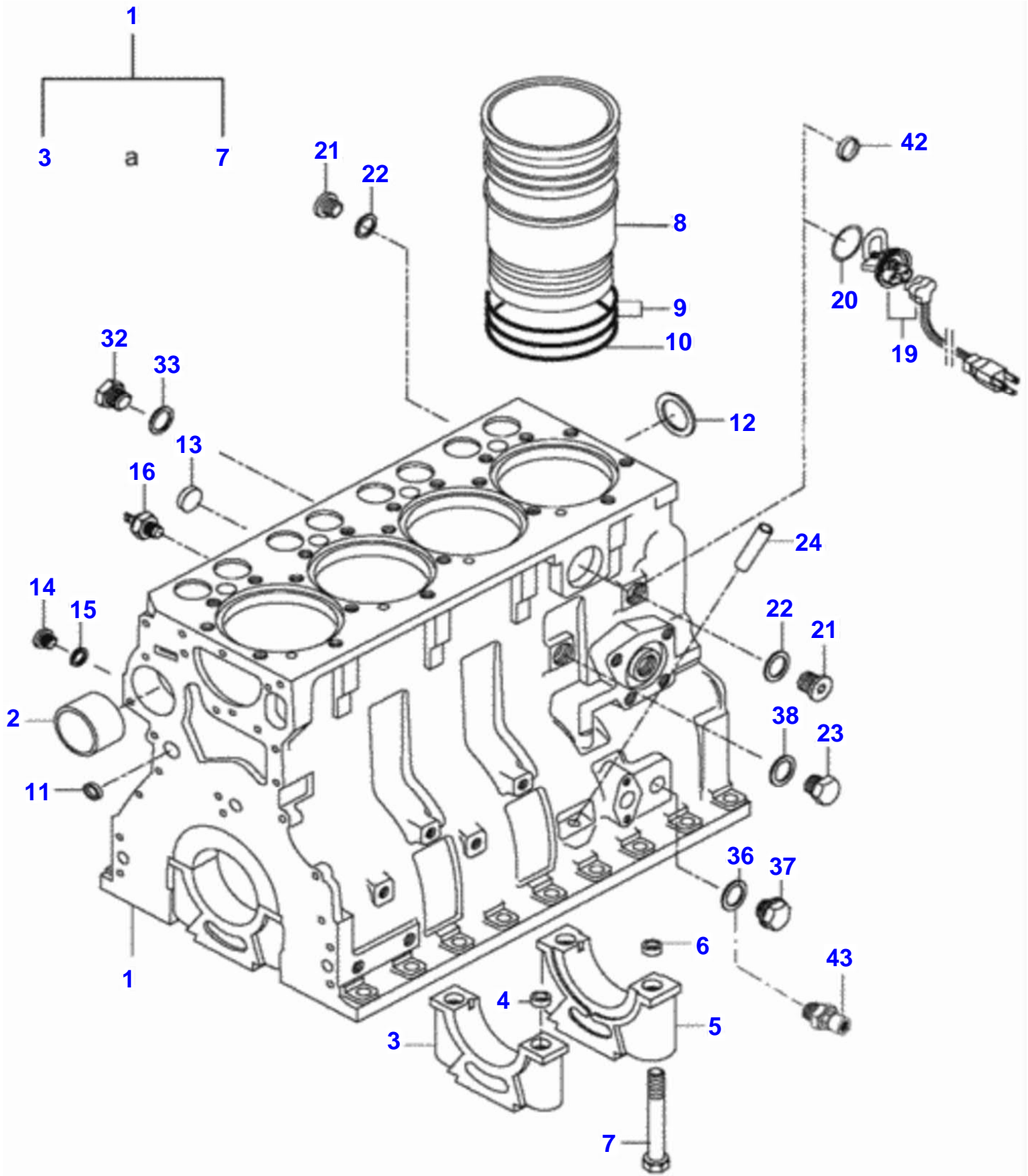


| Page Title | Page Number |
|--------------------------------------|-------------|
| Cylinder Block | 020-0010 |
| Flywheel And Gear Rim | 020-0015 |
| Cylinder Head | 020-0020 |
| Valves Mechanism | 020-0025 |
| Crankshaft Mechanism | 020-0030 |
| Gear Housing | 020-0035 |
| Sump | 020-0040 |
| Oil Filter | 020-0045 |
| Air Filter | 020-0050 |
| Inlet And Exhaust Manifold | 020-0055 |
| Inlet And Exhaust Manifold - Tier Ii | 020-0060 |
| Muffler | 020-0065 |
| Muffler | 020-0070 |
| Turbocharger | 020-0075 |
| Feed Pump | 020-0080 |
| Sedimentation Filter | 020-0085 |
| Fuel Filter- Tier I | 020-0090 |
| Fuel Filter - Tier Ii | 020-0095 |
| Fuel Filter Brezil | 020-0100 |
| Injection Pump Stanadyne | 020-0105 |
| Injection Pump | 020-0110 |
| Injection Pump - Tier Ii | 020-0115 |
| Nozzle | 020-0120 |
| Throttle System | 020-0125 |
| Prefilter, Fuel | 020-0130 |
| Fuel Pipes | 020-0135 |
| Radiator | 020-0140 |
| Water Pump And Fan | 020-0145 |
| Gasket Set S1 | 020-0150 |
| Gasket Kit S1 + S2 | 020-0155 |
| Repair Kit | 020-0160 |



Cylinder Block

| Item | Part Number | Qty | Description | Comments |
|------|-------------|-----|-----------------|-----------------|
| 1 | V836766377 | 1 | Assy | |
| 2 | V836866069 | 2 | Bush | |
| 3 | | 1 | Bearing Cover | [A] |
| 4 | V836214478 | 8 | Guide Bushing | |
| 5 | | 1 | Bearing Cover | [A] |
| 6 | V836214478 | 2 | Guide Bushing | |
| 7 | V529903180 | 10 | Screw | |
| 8 | V836666990 | 4 | Liner | Flange s=9,03mm |
| | V836647935 | 4 | Liner | Flange s=9,23mm |
| | V836647934 | 4 | Liner | Flange s=9,13mm |
| | V836647933 | 4 | Liner | Flange s=9,08mm |
| 9 | V836647502 | 8 | Collet | S2 |
| 10 | V836647503 | 4 | Collet | S2 |
| 11 | V640016016 | 4 | Plug | |
| 12 | V836529872 | 1 | Pad | |
| 13 | V640016018 | 1 | Plug | |
| 14 | V640325110 | 2 | Plug | |
| 15 | V615571014 | 2 | Washer | S2 |
| 16 | V836666797 | 1 | Pressure Switch | USA |
| | V887283760 | 1 | Pressure Sensor | |
| 19 | V836640935 | 1 | Endurance | 600W 120V, USA |
| 20 | V836640999 | 1 | O-Ring | USA |
| 21 | V640325018 | 2 | Plug | |
| 22 | V615881822 | 2 | Collet | |
| 23 | V836019756 | 1 | Plug | |
| 24 | V836014334 | 1 | Pipe | |
| 32 | V836119079 | 1 | Plug | |
| 33 | V615881620 | 1 | O-Ring | S2 |
| 36 | V615881216 | 1 | Collet | S2 |
| 37 | V640305012 | 1 | Plug | |
| 38 | V615881824 | 1 | O-Ring | S2 |
| 42 | V640016040 | 1 | Plug | |
| 43 | V836664377 | 1 | Connection | |
| 999 | V836740333 | 1 | Kit, Gasket | S1+S2 |
| | V836740280 | 1 | Kit, Joint | S1 |

FOOTNOTE [A] DELIVERED ONLY COMPLETE WITH BLOCK

<https://www.ebooklibonline.com>

Hello dear friend!

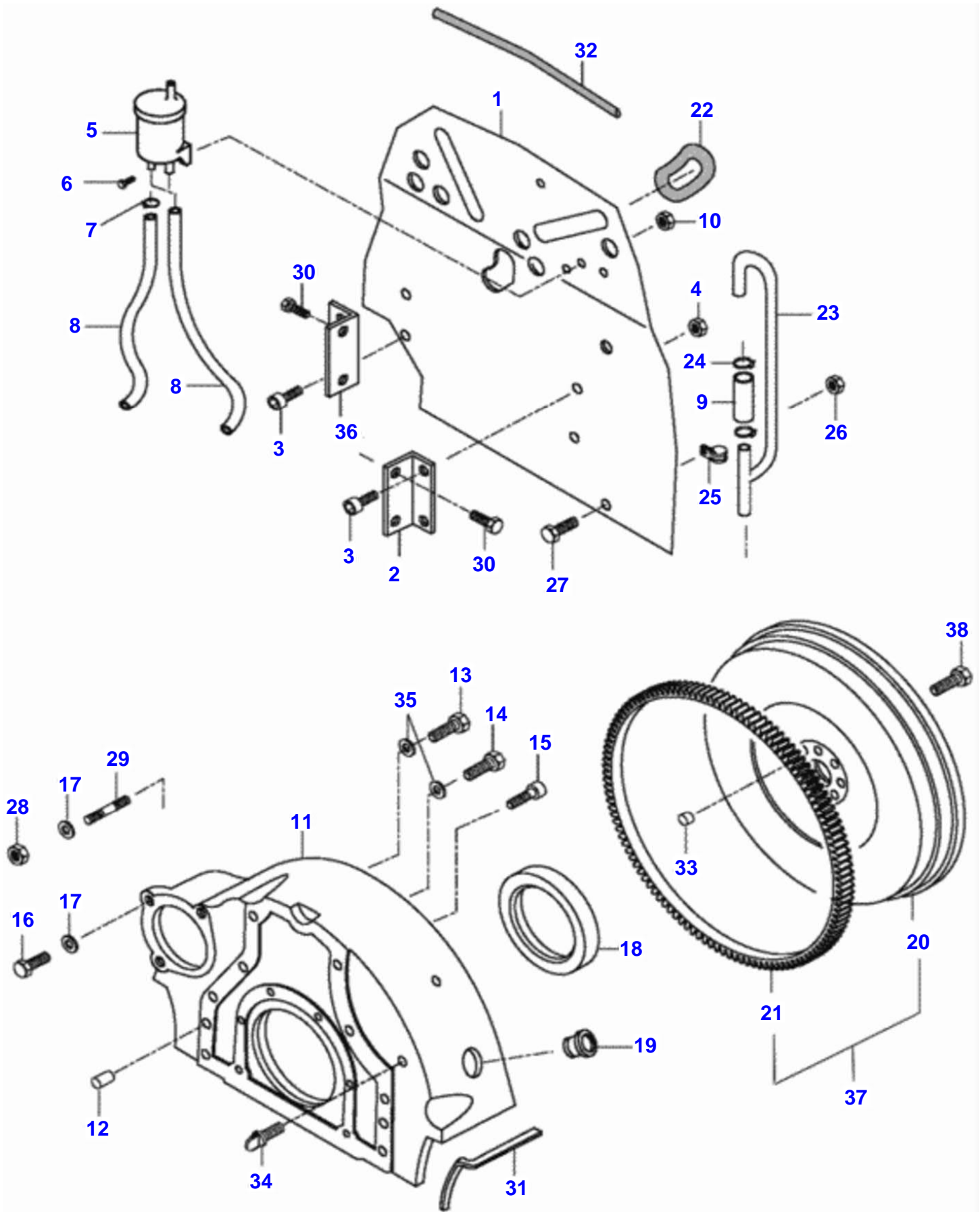
Thank you very much for reading.

Enter the link into your browser.

The full manual is available for immediate download.

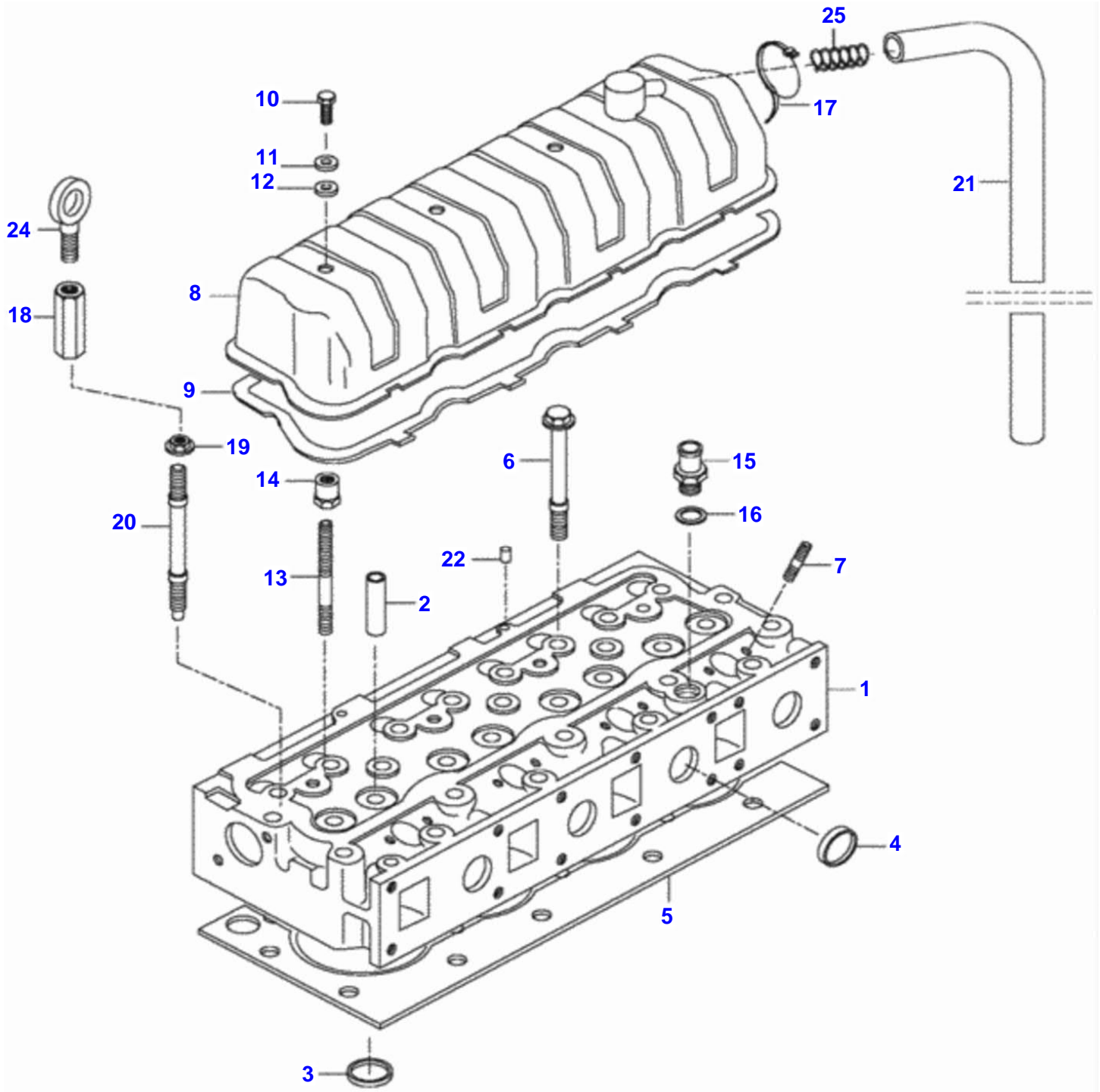
<https://www.ebooklibonline.com>

800 TRACTOR (BR) - C080002
00002068



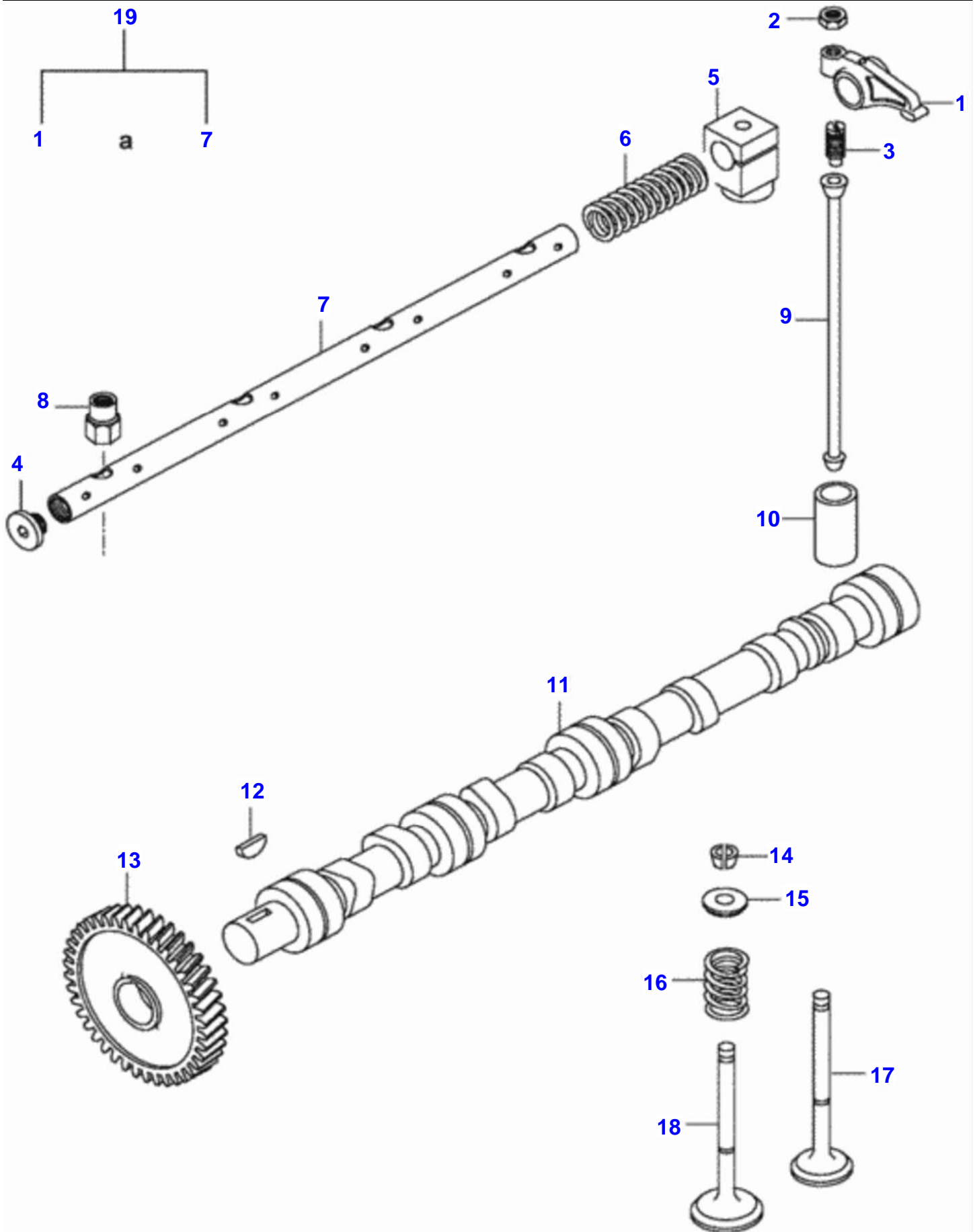
Flywheel And Gear Rim

| Item | Part Number | Qty | Description | Comments |
|------|-------------|-----|---------------|--------------|
| 1 | V836759277 | 1 | Rear Plate | |
| | V836667303 | 1 | Rear Plate | |
| 2 | V836659279 | 1 | Left Support | |
| 3 | V581804582 | 4 | Bolt | |
| 4 | V504800800 | 4 | Nut | |
| 5 | V835324375 | 1 | Reservoir | |
| 6 | V528800762 | 2 | Bolt | |
| 7 | V602066609 | 4 | Clamp | |
| 8 | V836655792 | 2 | Rubber Pipe | |
| 9 | V835328356 | 1 | Rubber Pipe | |
| 10 | V510600502 | 2 | Nut | |
| 11 | V836752443 | 1 | Housing | |
| 12 | V598359850 | 2 | Pin | |
| 13 | V581705440 | 2 | Bolt | |
| 14 | V528702220 | 14 | Bolt | |
| 15 | V581705030 | 6 | Screw | |
| 16 | V528801800 | 3 | Screw | |
| 17 | V500951000 | 3 | Washer | |
| 18 | V614500002 | 1 | Seal | S2 |
| 19 | V836007572 | 1 | Plug | |
| 20 | V836538042 | 1 | Flywheel | |
| 21 | V836117970 | 1 | Starter Ring | Z=128 |
| 22 | V836647731 | 1 | Gasket | |
| 23 | V836759585 | 1 | Pipe | |
| 24 | V602066612 | 2 | Clamp | |
| 25 | V602074610 | 2 | Clamp | |
| 26 | V504600502 | 2 | Nut | |
| 27 | V528800802 | 2 | Bolt | |
| 28 | V504601000 | 3 | Nut | |
| 29 | V546801800 | 3 | Dog | |
| 30 | V528801760 | 2 | Bolt | |
| 31 | V31085600 | 1 | Left Gasket | |
| 32 | V30229000 | 1 | Gasket | |
| 33 | V836659527 | 1 | Bush | |
| 34 | V836859311 | 1 | Plug | |
| 35 | V500951200 | 8 | Washer | |
| 36 | V836659278 | 2 | Right Support | |
| 37 | V836538043 | 1 | Flywheel | Ref. 20 e 21 |
| 38 | V528902230 | 7 | Screw | |



Cylinder Head

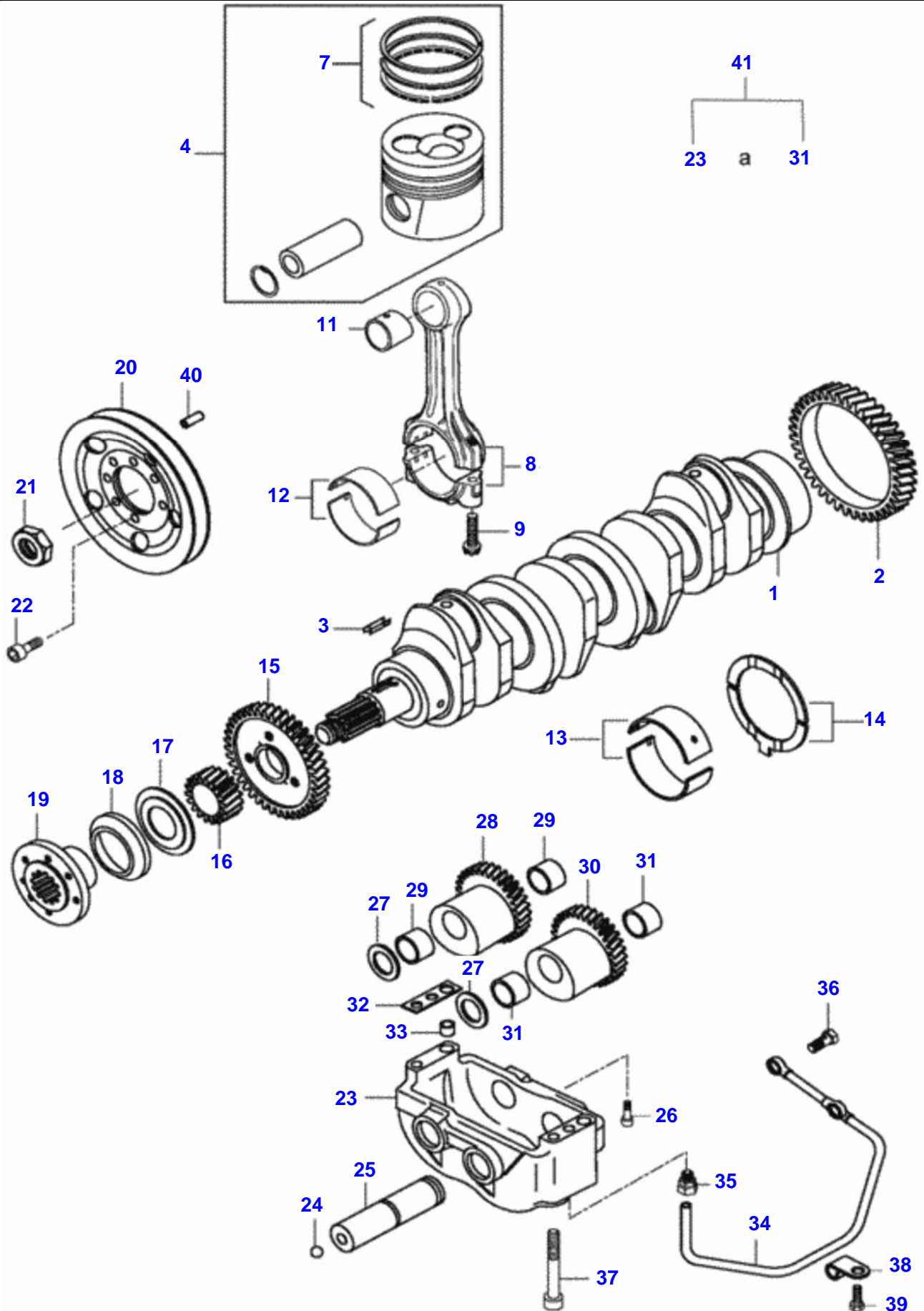
| Item | Part Number | Qty | Description | Comments |
|------|-------------|-----|-------------|----------|
| 1 | V836755385 | 1 | Head | |
| 2 | V836673175 | 8 | Valve Guide | |
| 3 | V836647600 | 4 | Valve Seat | |
| 4 | V836647942 | 7 | Pad | |
| 5 | V836764156 | 1 | Gasket | S1 |
| 6 | V836859104 | 20 | Bolt | |
| 7 | V546901435 | 8 | Dog | |
| 8 | V836746361 | 1 | Cover | |
| 9 | V836746362 | 1 | Gasket | S1 |
| 10 | VHA9089 | 4 | Screw | |
| 11 | V836119855 | 4 | Washer | |
| 12 | V836012841 | 4 | Washer | S1 |
| 13 | V846801900 | 4 | Bolt | |
| 14 | V836655406 | 4 | Nut | |
| 15 | V836119837 | 1 | Connection | |
| 16 | V615881822 | 1 | Collet | S1 |
| 17 | V835329746 | 1 | Clamp | |
| 18 | V836647835 | 1 | Nut | |
| 19 | V836859110 | 2 | Nut | |
| 20 | V836859109 | 2 | Dog | |
| 21 | V836647814 | 1 | Hose | |
| 22 | V595959140 | 2 | Pin | |
| 24 | V836640252 | 1 | Eyelet | |
| 25 | V836659103 | 1 | Spring | |



Valves Mechanism

| Item | Part Number | Qty | Description |
|------|-------------|-----|---------------|
| 1 | V836667042 | 8 | Complete |
| 2 | V512861000 | 8 | Nut |
| 3 | V837069023 | 8 | Bolt |
| 4 | V837069020 | 2 | Plug |
| 5 | V836655869 | 4 | Bracket |
| 6 | V836655884 | 3 | Spring |
| 7 | V836755871 | 1 | Shaft |
| 8 | V836655406 | 4 | Nut |
| 9 | V836655867 | 8 | Rod |
| 10 | V836014264 | 8 | Tappet |
| 11 | V836746375 | 1 | Shaft |
| 12 | V603305760 | 1 | Key |
| 13 | V836646389 | 1 | Gear |
| 14 | V836646382 | 16 | Valve Cotter |
| 15 | V836646381 | 15 | Spring Plate |
| 16 | V837073405 | 8 | Spring |
| 17 | V836646357 | 4 | Valve Exhaust |
| 18 | V836646356 | 4 | Valve Inlet |
| 19 | V836767044 | 1 | Valve |

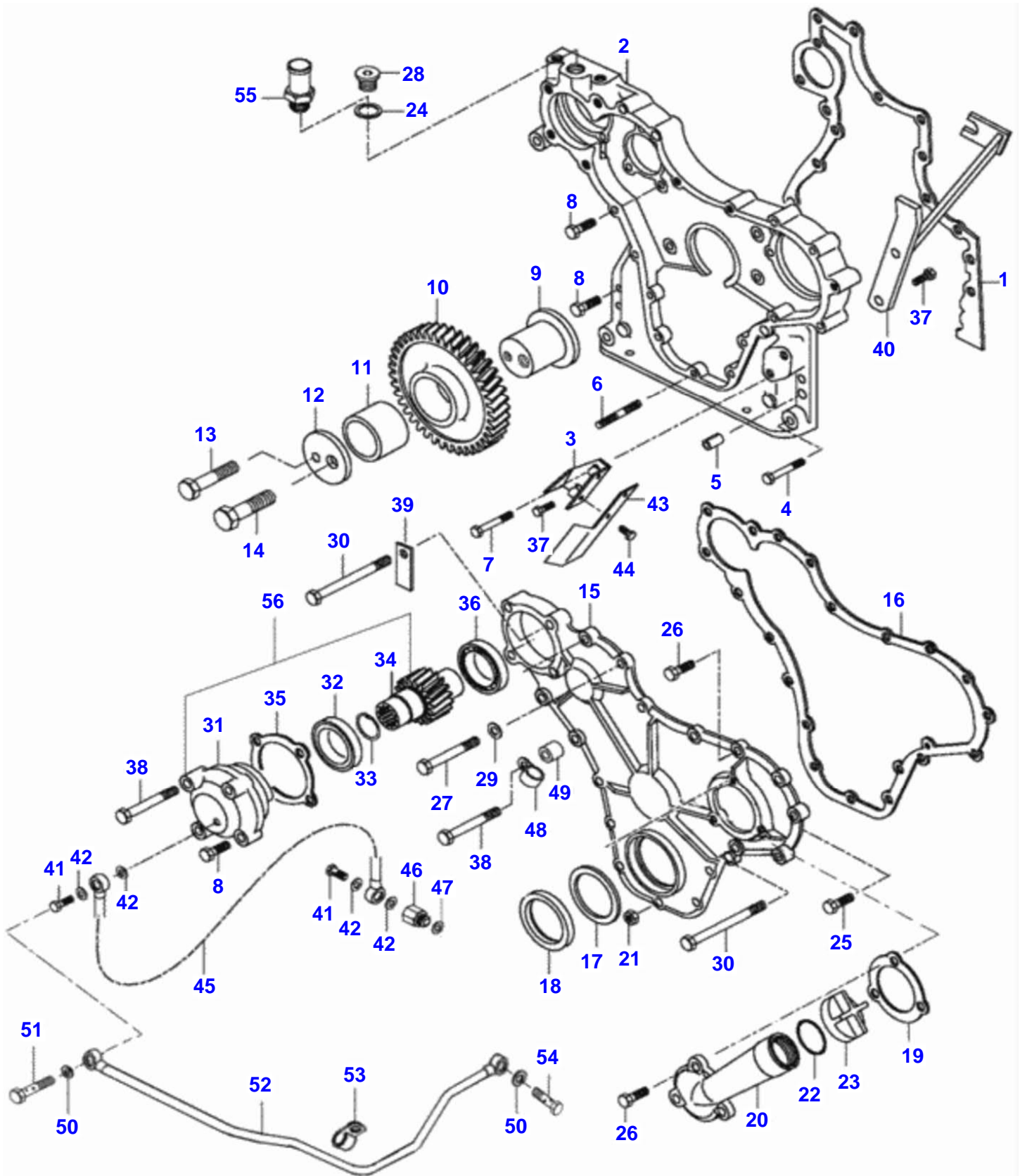
800 TRACTOR (BR) - C080002
00002074



Crankshaft Mechanism

| Item | Part Number | Qty | Description | Comments |
|------|-------------|-----|-----------------|---------------|
| 1 | V836747324 | 1 | Crankshaft | |
| 2 | V836124524 | 1 | Gear | |
| 3 | V603345110 | 1 | Key | |
| 4 | V836659702 | 4 | Complete Piston | USA |
| | V88605300 | 4 | Complete Piston | VDB |
| 7 | V836640126 | 4 | Piston Ring Set | |
| 8 | V836666433 | 4 | Conrod | 1995 - 2014 g |
| | V836666432 | 4 | Conrod | 1975 - 1994 g |
| | V836666431 | 4 | Conrod | 1955 - 1974 g |
| | V836666435 | 4 | Conrod | 2035 - 2054 g |
| | V836666434 | 4 | Conrod | 2015 - 2034 g |
| | V836666436 | 4 | Conrod | 2055 - 2074 g |
| | V836666430 | 4 | Conrod | 1935 - 1954 g |
| 9 | V836864141 | 8 | Screw | |
| 11 | V836110646 | 4 | Bush | |
| 12 | V836112762 | 3 | Slider Bearing | |
| | V836112763 | 3 | Slider Bearing | |
| | V836112765 | 3 | Slider Bearing | |
| | V836112767 | 3 | Slider Bearing | |
| | V836110552 | 4 | Big End Bearing | |
| 13 | V836655539 | 4 | Big-end Bearing | |
| | V836655538 | 4 | Big-end Bearing | |
| | V836655537 | 4 | Big-end Bearing | |
| | V836655536 | 4 | Big-end Bearing | |
| | V836655514 | 5 | Big-end Bearing | |
| 14 | V836120333 | 2 | Washer | 0,20mm |
| | V836120332 | 2 | Washer | 0,10mm |
| | V836119459 | 2 | Washer | |
| 15 | V836119550 | 1 | Gear | |
| 16 | V836122840 | 1 | Gear | |
| 17 | V836129781 | 1 | Ring | |
| 18 | V836136271 | 1 | Dustcap | |
| 19 | V836846463 | 1 | Hub | |
| 20 | V836655449 | 1 | Pulley | |
| 21 | V836647310 | 1 | Nut | |
| 22 | V581804600 | 6 | Bolt | |
| 23 | V836747348 | 1 | Housing | |
| 24 | V616810103 | 2 | Ball | |
| 25 | V836146879 | 2 | Shaft | |
| 26 | V581804202 | 2 | Bolt | |
| 27 | V836146880 | 4 | Washer | |
| 28 | V836146877 | 1 | Gear | Ref. 29 |
| 29 | V836146876 | 2 | Bush | |
| 30 | V836146878 | 1 | Gear | Ref. 31 |
| 31 | V836146876 | 2 | Bush | |
| 32 | V836119920 | | Shim | |
| 33 | V598359850 | 2 | Pin | |
| 34 | V836747478 | 1 | Pipe | |
| 35 | V641016008 | 1 | Connection | |
| 36 | V640435008 | 2 | Bolt | |
| 37 | V581805170 | 4 | Allen Bolt | |
| 38 | V602071608 | 1 | Clamp | |
| 39 | VHA6313 | 1 | Screw | |
| 40 | V595959140 | 1 | Pin | |
| 41 | V836766123 | 1 | Engine | Ref. 23 a 31 |

800 TRACTOR (BR) - C080002
00002075



Gear Housing

| Item | Part Number | Qty | Description | Comments |
|------|-------------|-----|------------------|---------------|
| 1 | V836647419 | 1 | Gasket | S2 |
| 2 | V836652221 | 1 | Timing Gear Case | |
| | V836666401 | 1 | Gear Housing | USA |
| 3 | V836655720 | 1 | Gauge | |
| 4 | V529801440 | 2 | Screw | |
| 5 | V598359850 | 4 | Pin | |
| 6 | V546801380 | 5 | Dog | |
| 7 | V529801450 | 1 | Bolt | |
| 8 | V528801400 | 10 | Bolt | |
| 9 | V836138356 | 1 | Shaft | |
| 10 | V836138354 | 1 | Gear | Ref. 11 |
| 11 | V836139039 | 1 | Bush | |
| 12 | V836129845 | 1 | Flange | |
| 13 | V528801910 | 1 | Bolt | |
| 14 | V529902720 | 1 | Screw | |
| 15 | V836647575 | 1 | Cover | |
| 16 | V835336796 | 1 | Gasket | S2 |
| 17 | V836129782 | 1 | Collet | |
| 18 | V614105880 | 1 | Seal | S2 |
| 19 | V836129946 | 1 | Gasket | S2 |
| 20 | V835338325 | 1 | Right Tube | |
| 21 | V504800800 | 5 | Nut | |
| 22 | V614603540 | 1 | Collet | S2 |
| 23 | V836017927 | 1 | Cover | |
| | V836655188 | 1 | Pad | USA |
| 24 | V615881822 | 1 | Collet | S2 |
| 25 | V528801420 | 2 | Bolt | |
| 26 | VHA6323 | 5 | Screw | |
| 27 | V529801470 | 3 | Bolt | |
| 28 | V836119851 | 1 | Plug | |
| 29 | V836120989 | 1 | Washer | |
| 30 | V529801500 | 2 | Screw | |
| 31 | V836655230 | 1 | Bearing Housing | |
| 32 | VLA1014 | 1 | Bearing | |
| 33 | VKG3031 | 1 | Circlip | |
| 34 | V836122843 | 1 | Shaft | |
| 35 | V835336793 | 1 | Gasket | |
| 36 | V610060090 | 1 | Bearing | |
| 37 | V528801362 | 3 | Bolt | |
| 38 | V529801460 | 4 | Screw | |
| 39 | V836083428 | 1 | Fastening Plate | |
| 40 | V836664528 | 1 | Bracket | |
| 41 | V640435008 | 2 | Bolt | |
| 42 | V615870610 | 1 | Washer | |
| 43 | V836659093 | 1 | Belt Cover | |
| 44 | V528801082 | 2 | Bolt | |
| 45 | V82664500 | 1 | Hose | |
| 46 | V836655233 | 1 | Connection | |
| 47 | V615571014 | 1 | Washer | |
| 48 | V602060612 | 1 | Clamp | |
| 49 | V836119296 | 1 | Spacer | |
| 50 | V615571014 | 2 | Washer | USA |
| 51 | V836664212 | 2 | Banjo Bolt | USA |
| 52 | V836664543 | 1 | Pipe | USA |
| 53 | V836009683 | 1 | Clamp | USA |
| 54 | V835330966 | 1 | Screw | USA |
| 55 | V836119851 | 1 | Plug | |
| 56 | V836655232 | 1 | Assy | Ref. 31 ao 35 |



Suggest:

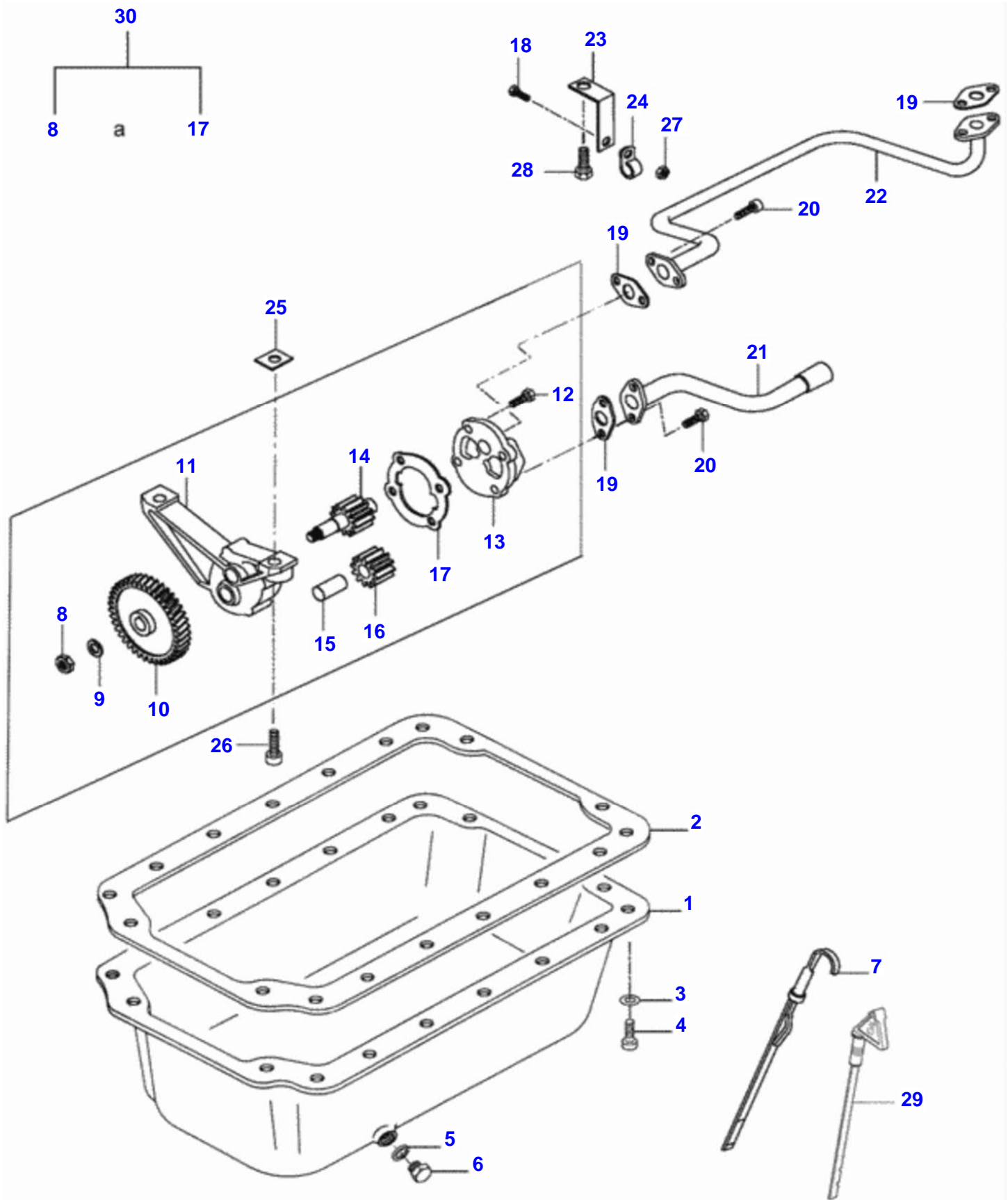
For more complete manuals. Please go to the home page.

<https://www.ebooklibonline.com>

If the above button click is invalid. Please download this document first, and then click the above link to download the complete manual.

Thank you so much for reading

800 TRACTOR (BR) - C080002
00002077



Sump

| Item | Part Number | Qty | Description | Comments |
|------|-------------|-----|----------------|----------|
| 1 | V836128794 | 1 | Oil Sump | |
| 2 | V836107726 | 1 | Gasket | S2 |
| 3 | V500950800 | 22 | Washer | |
| 4 | V581804580 | 22 | Bolt | |
| 5 | V615881827 | 1 | Ring | S2 |
| 6 | V836655493 | 1 | Plug | |
| 7 | V836014330 | 1 | Measuring | |
| 8 | V504861000 | 1 | Nut | |
| 9 | V836122910 | 1 | Washer | |
| 10 | V836338667 | 1 | Gear | |
| 11 | V836120195 | 1 | Housing | |
| 12 | V528801380 | 4 | Bolt | |
| 13 | V836119794 | 1 | Cover | |
| 14 | V836652600 | 1 | Gear | |
| 15 | V836120191 | 1 | Shaft | |
| 16 | V836120193 | 1 | Gear | |
| 17 | V836119796 | 1 | Gasket | S2 |
| 18 | V528801362 | 1 | Bolt | |
| 19 | V836008449 | 3 | Gasket | S2 |
| 20 | V581804600 | 6 | Bolt | |
| 21 | V836759171 | 1 | Pipe | |
| 22 | V836746457 | 1 | Pipe | |
| 23 | V836746572 | 1 | Bracket | |
| 24 | V602074618 | 1 | Clamp | |
| 25 | V836007871 | 1 | Spacing Plate | |
| 26 | V581805050 | 2 | Bolt | |
| 27 | V504800800 | 1 | Nut | |
| 28 | V528801780 | 1 | Bolt | |
| 29 | V836666908 | 1 | Measuring | |
| 30 | V836652603 | 1 | Built Oil Pump | |

<https://www.ebooklibonline.com>

Hello dear friend!

Thank you very much for reading.

Enter the link into your browser.

The full manual is available for immediate download.

<https://www.ebooklibonline.com>