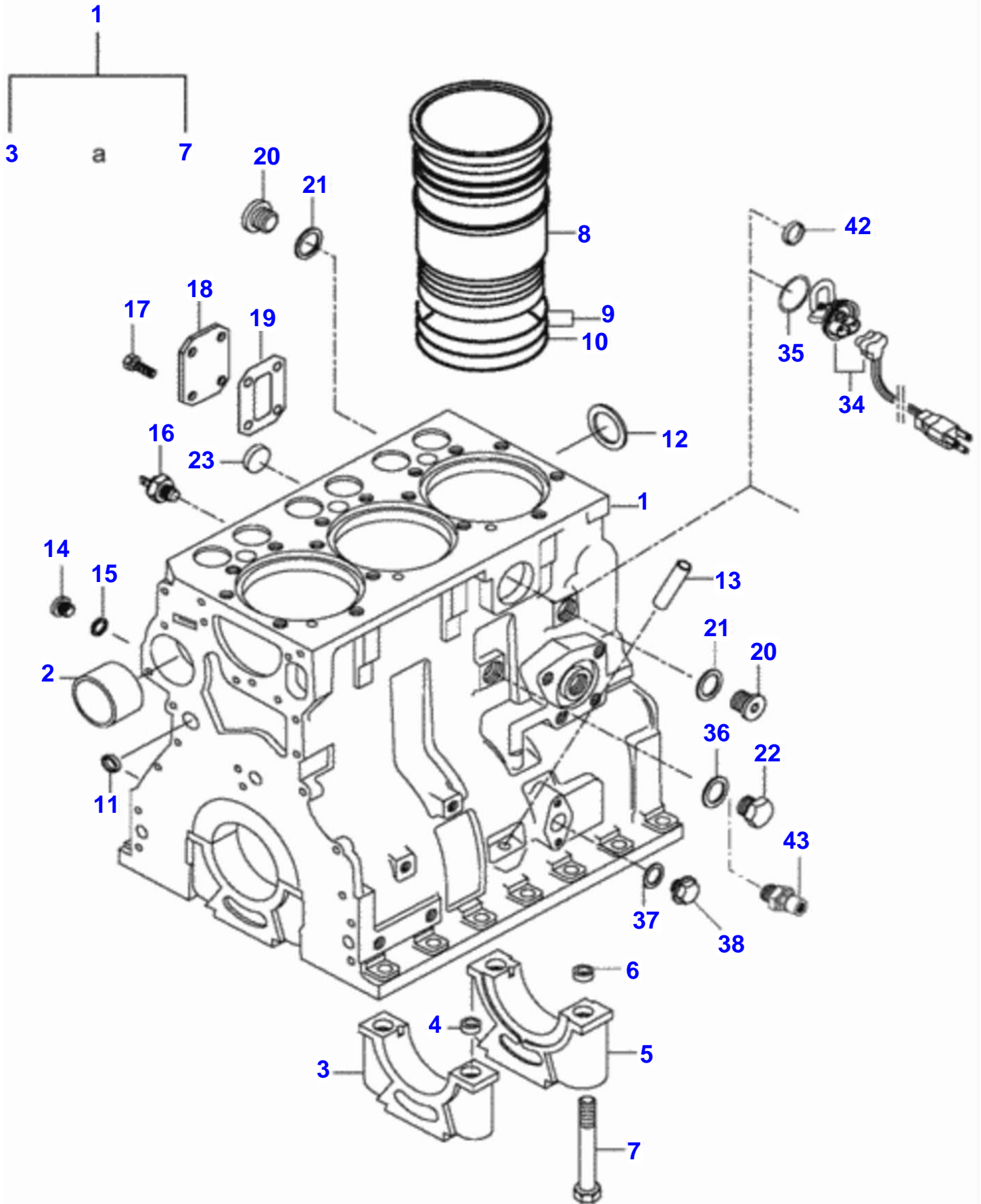


Page Title	Page Number
Cylinder Block	020-0010
Flywheel And Gear Rim	020-0015
Cylinder Head	020-0020
Valves Mechanism	020-0025
Crankshaft Mechanism	020-0030
Gear Housing	020-0035
Sump	020-0040
Oil Filter	020-0045
Air Filter	020-0050
Inlet And Exhaust Manifold	020-0055
Muffler	020-0060
Turbocharger	020-0065
Inlet And Exhaust Manifold - Tier I	020-0070
Feed Pump	020-0075
Sedimentation Filter	020-0080
Fuel Filter- Tier I	020-0085
Fuel Filter - Tier Ii	020-0090
Fuel Filter Brezil	020-0095
Injection Pump Stanadyne	020-0100
Injection Pump	020-0105
Injection Pump - Tier Ii	020-0110
Nozzle	020-0115
Throttle System	020-0120
Prefilter, Fuel	020-0125
Fuel Pipes	020-0130
Radiator	020-0135
Water Pump And Fan	020-0140
Gasket Set S1	020-0145
Gasket Set S1+S2	020-0150
Repair Kit	020-0155

700 TRACTOR (BR) - C070001  
00002066



## Cylinder Block

Item	Part Number	Qty	Description	Comments
1	836667523	1	Assy	
2	836866069	1	Bush	
3		1	Bearing Cover	[A]
4	836214478	6	Guide Bushing	
5		1	Bearing Cover	[A]
6	836214478	2	Guide Bushing	
7	529903180	8	Screw	
8	836666990	3	Liner	Flange s=9,13mm
	836647935	3	Liner	Flange s=9,23mm
	836647934	3	Liner	Flange s=9,13mm
	836647933	3	Liner	Flange s=9,08mm
9	836647502	6	Seal Ring	S2
10	836647503	3	Seal Ring	S2
11	640016016	4	Plug	S2
12	836529872	1	Pad	
13	836014334	1	Pipe	
14	640325110	2	Plug	
15	615571014	2	Seal Ring	S2
16	887283760	1	Temp. Sensor	
	836666797	1	Pressure Switch	USA
17	528801362	2	Bolt	
18	836659543	1	Cover	
19	836647401	1	Gasket	S2
	836659544	1	Gasket	S2
20	640325018	2	Plug	
21	615881822	2	Collet	
22	836019756	1	Plug	
23	640016018	1	Plug	
34	836640935	1	Endurance	600W 120V USA
35	836640999	1	O-Ring	USA
36	615881824	1	O-Ring	S2
37	615881216	2	Collet	
38	640305012	2	Plug	
42	640016040	1	Plug	
43	836664377	1	Connection	
999	836640289	1	Kit, Joint	S1
	836640356	1	Gasket Set S1+S2	S1+S2

FOOTNOTE [A] DELIVERED ONLY COMPLETE WITH BLOCK

**<https://www.ebooklibonline.com>**

Hello dear friend!

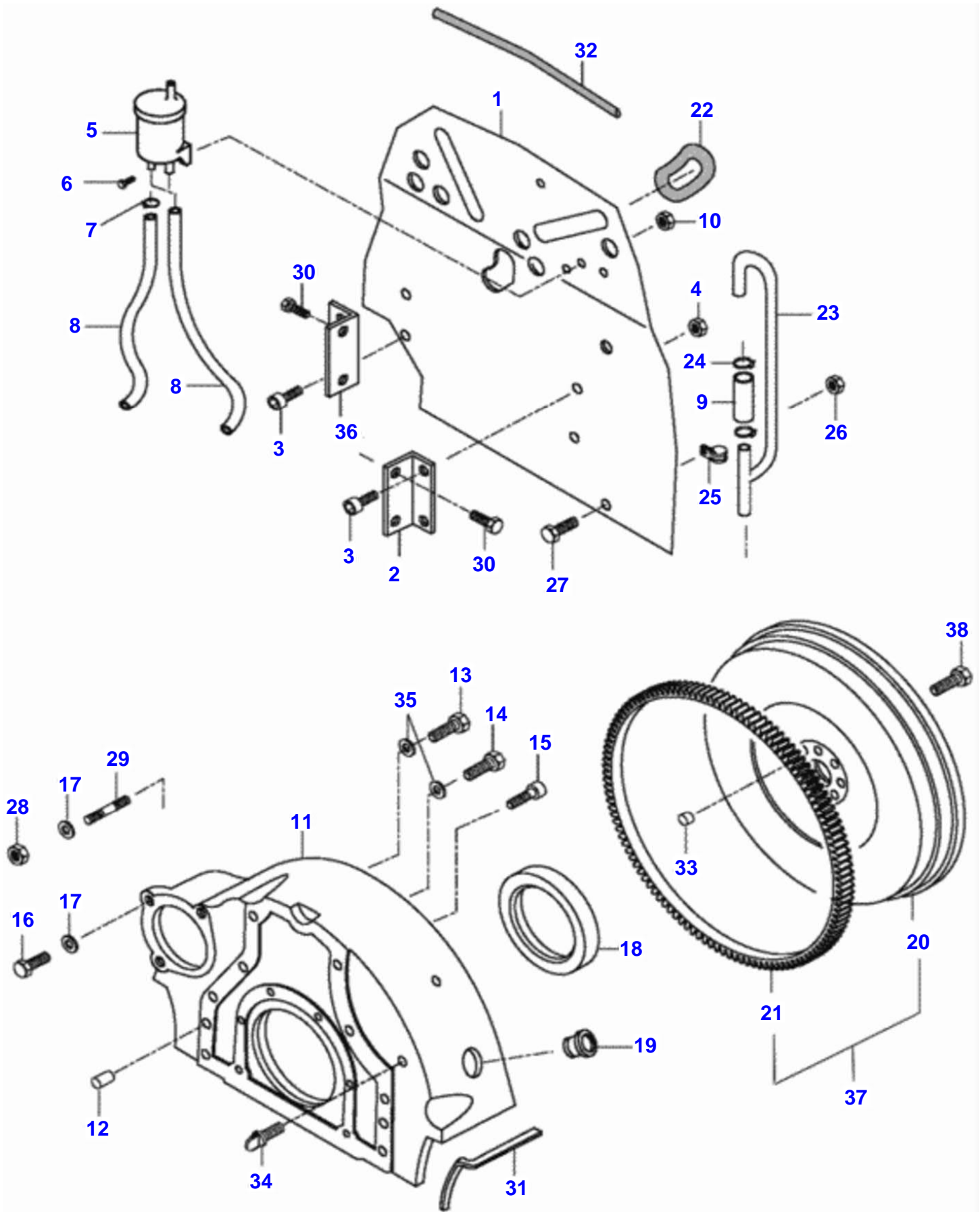
Thank you very much for reading.

Enter the link into your browser.

The full manual is available for immediate download.

**<https://www.ebooklibonline.com>**

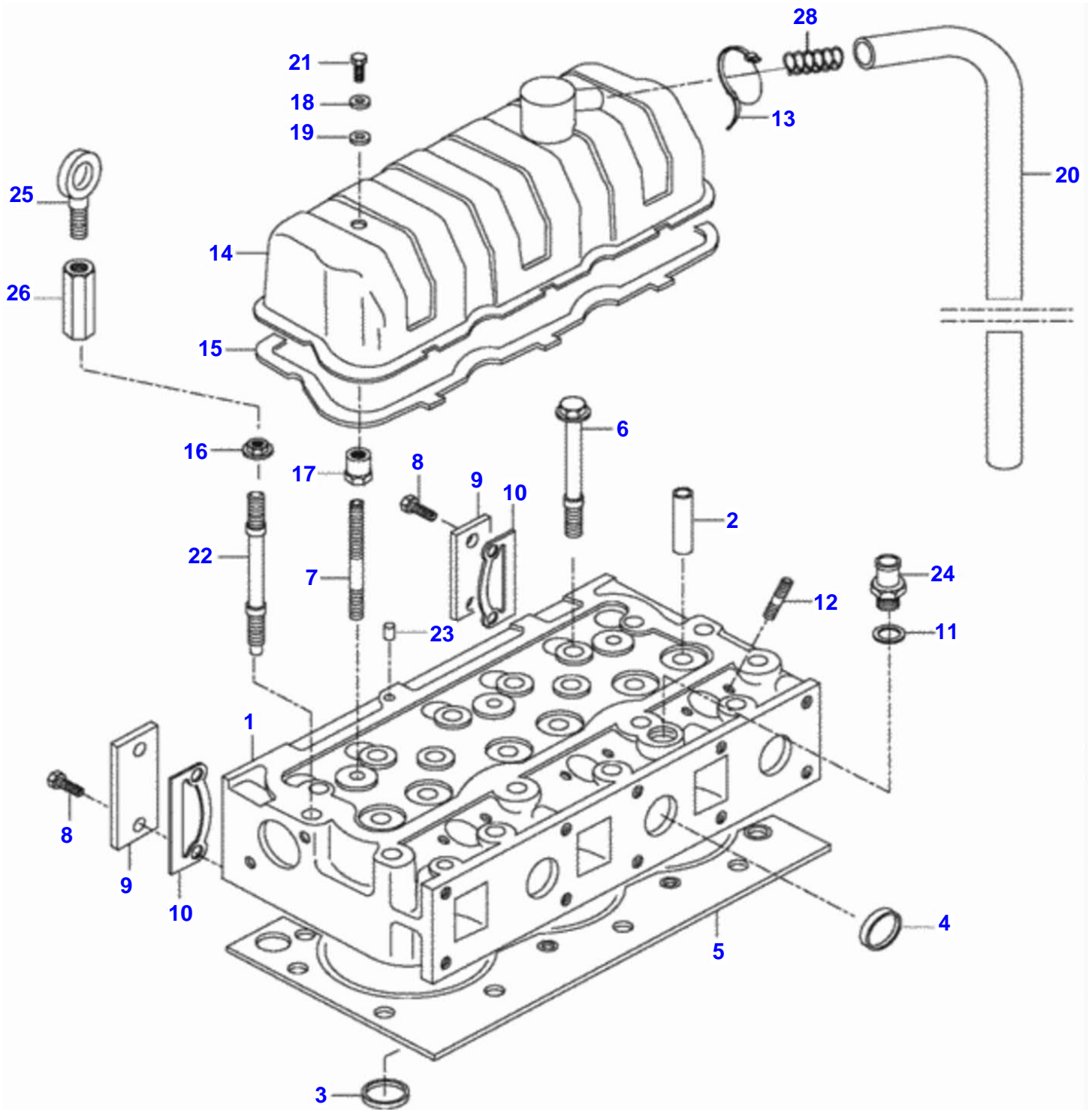
700 TRACTOR (BR) - C070001  
00002068



## Flywheel And Gear Rim

Item	Part Number	Qty	Description	Comments
1	836664018	1	Rear Plate	
	836759277	1	Rear Plate	
2	836659279	1	Left Support	
3	581804582	4	Bolt	
4	504800800	4	Nut	
5	835324375	1	Reservoir	
6	528800762	2	Bolt	
7	602066609	4	Clamp	
8	836655792	2	Rubber Pipe	
9	835328356	1	Rubber Pipe	
10	510600502	2	Nut	
11	836752443	1	Housing	
12	598359850	2	Pin	
13	581705440	2	Bolt	
14	528702220	14	Bolt	
15	581705030	6	Screw	
16	528801800	3	Screw	
17	500951000	3	Washer	
18	837074841	1	Seal	S2
19	836007572	1	Plug	
20	836538042	1	Flywheel	
21	836117970	1	Starter Ring	Z=128
22	836647731	1	Gasket	
23	836759585	1	Pipe	
24	602066612	2	Clamp	
25	602074610	2	Clamp	
26	504600502	2	Nut	
27	528800802	2	Bolt	
28	504601000	3	Nut	
29	546801800	3	Stud	
30	528801760	2	Bolt	
31	31085600	1	Left Gasket	
32	30229000	1	Gasket	
33	836659527	1	Bush	
34	836859311	1	Plug	
35	500951200	8	Washer	
36	836659278	2	Right Support	
37	836538043	1	Flywheel	Ref. 20 e 21
38	528902230	7	Screw	

700 TRACTOR (BR) - C070001  
00002069



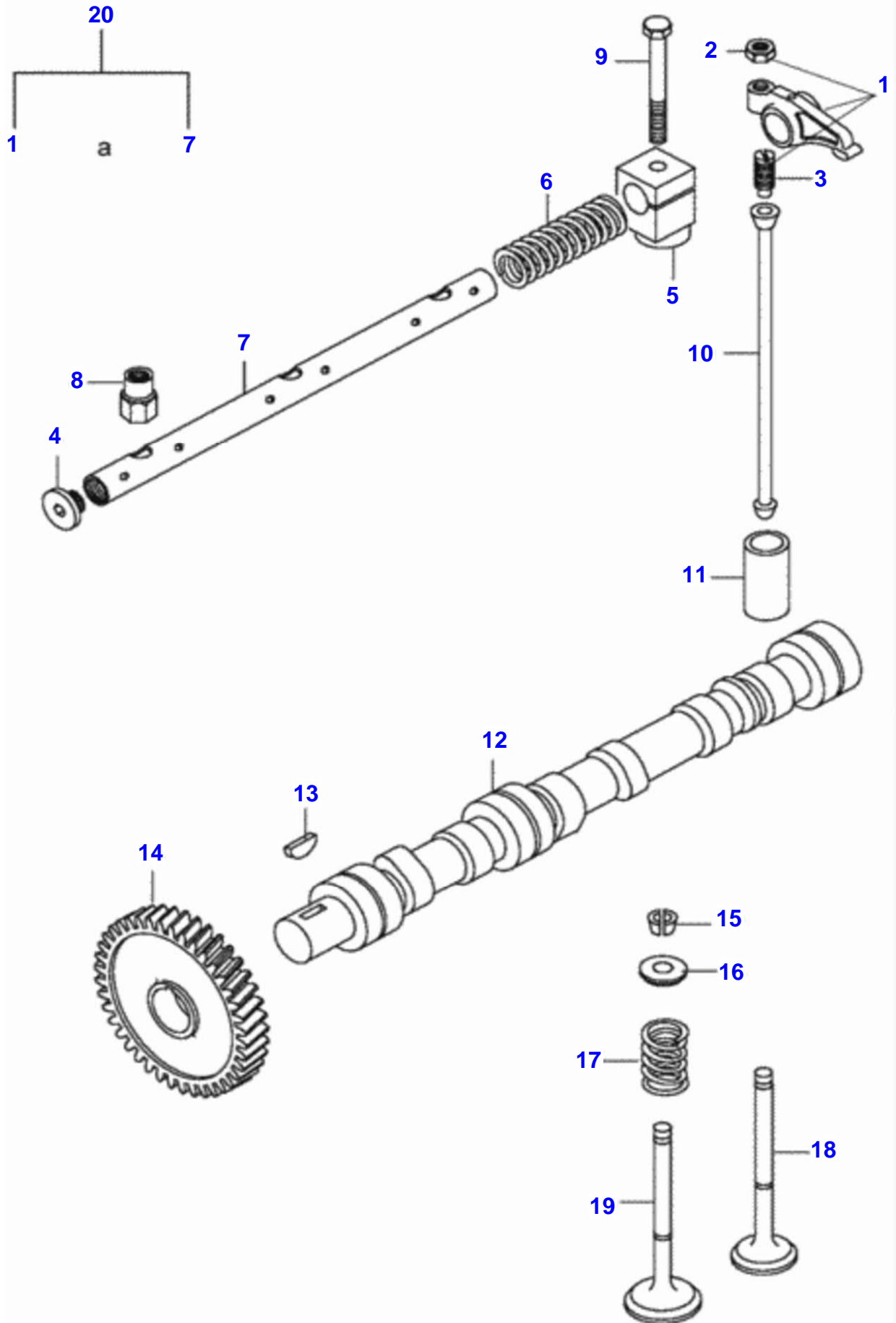
**Valtra****700 TRACTOR (BR) - C070001**

C070001

Page020-0020

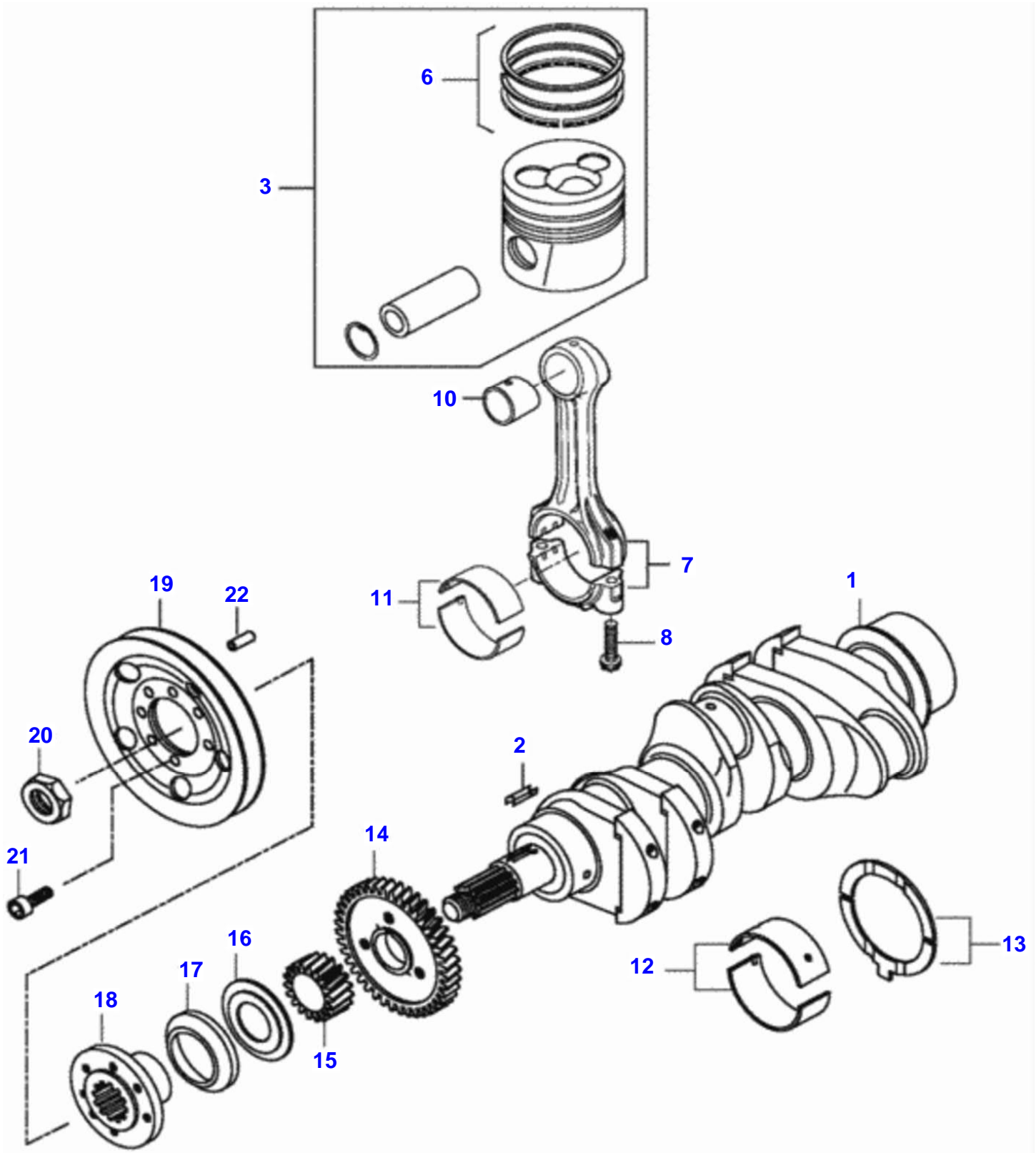
**Cylinder Head**

Item	Part Number	Qty	Description	Comments
1	836855381	1	Head	
2	836673175	6	Valve Guide	
3	836647600	3	Valve Seat	
4	836647942	5	Pad	
5	837084523	1	Head Gasket	S1
6	836859104	15	Bolt	
7	546801900	2	Stud	
8	528801800	4	Screw	
9	836855350	2	Cover	
10	836866215	2	Gasket	S1
11	615881822	1	Collet	S1
12	546901435	6	Stud	
13	835329746	1	Clamp	
14	836646359	1	Cover	
15	836646360	1	Gasket	S1
16	836859110	2	Nut	
17	836655406	2	Nut	
18	836119855	2	Washer	
19	836012841	2	Washer	S1
20	836647814	1	Hose	
21	HA9089	2	Screw	
22	836859109	2	Stud	
23	595959140	1	Pin	
24	836119837	1	Connection	
25	836640252	1	Eyelet	
26	836647835	1	Nut	
28	836659103	1	Spring	



## Valves Mechanism

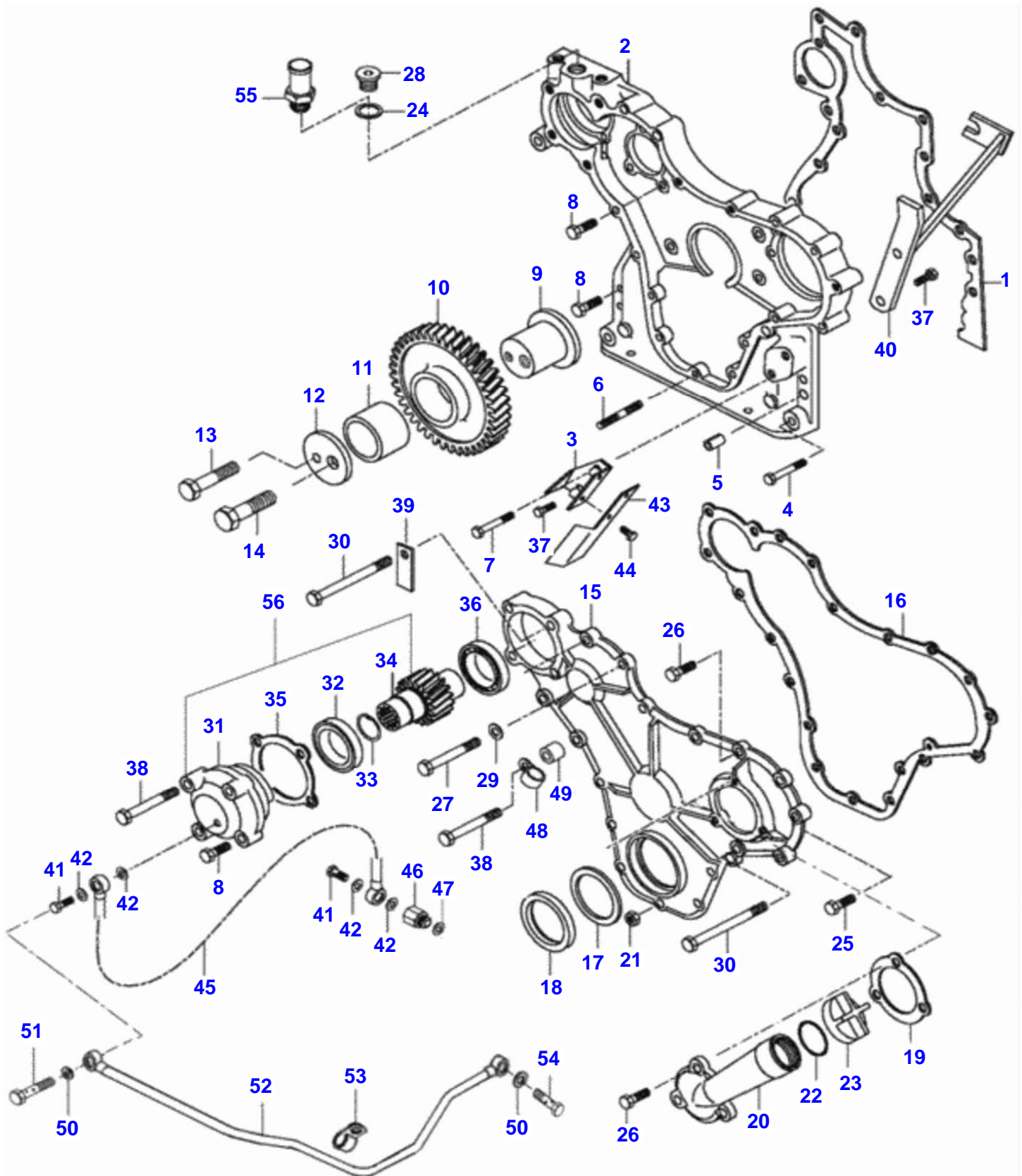
Item	Part Number	Qty	Description	Comments
1	836667042	6	Complete	
2	512861000	6	Nut	
3	837069023	6	Bolt	
4	837069020	2	Plug	
5	836666609	3	Bracket	
6	836655884	2	Spring	
7	836655870	1	Shaft	
8	836655406	2	Nut	
9	529801910	1	Screw	
10	836655867	6	Push Rod	
11	836014264	6	Tappet	
12	836646374	1	Camshaft	
13	603305760	1	Key	
14	836646389	1	Gear	
15	836646382	12	Valve Cotter	
16	836646381	6	Spring Plate	
17	837073405	6	Spring	
18	836646357	3	Valve Exhaust	
19	836646356	3	Valve Inlet	
20	836667043	1	Valve Mechanism	Ref. 1,2,3,4,5,6



## Crankshaft Mechanism

Item	Part Number	Qty	Description	Comments
1	837074337	1	Crankshaft	
2	603345110	1	Key	
3	88605300	3	Complete Piston	VDB
	836659702	3	Complete Piston	USA
6	836640126	3	Piston Ring Set	
7	82659700	1	Kit, Conrod	
8	836864141	6	Screw	
10	836646271	3	Bush	
11	836112767	3	Slider Bearing	Thickness 1,50mm
	836112765	3	Slider Bearing	Thickness 1,00mm
	836112763	3	Slider Bearing	Thickness 0,50mm
	836112762	3	Slider Bearing	Thickness 0,25mm
	836120333	2	Washer	0,20mm
	836120332	2	Washer	0,10mm
	836110552	3	Big-End	
12	836655539	4	Big-end Bearing	
	836655538	4	Big-end Bearing	
	836655537	4	Big-end Bearing	
	836655536	4	Big-end Bearing	
	836655514	4	Big-end Bearing	
13	836119459	2	Stop Ring	
14	836120019	1	Gear	
15	836122840	1	Gear	
16	836129781	1	Ring	
17	836136271	1	Dustcap	
18	836846463	1	Hub	
19	836655449	1	Pulley	
20	836647310	1	Nut	
21	581804600	6	Bolt	
22	595953360	1	Pin	

700 TRACTOR (BR) - C070001  
00002075



## Gear Housing

Item	Part Number	Qty	Description	Comments
1	836647419	1	Gasket	S2
2	836666401	1	Gear Housing	USA
	836652221	1	Timing Gear Case	
3	836655720	1	Gauge	
4	529801440	2	Screw	
5	598359850	4	Pin	
6	546801380	5	Stud	
7	529801450	1	Bolt	
8	528801400	10	Bolt	
9	836138356	1	Shaft	
10	836138354	1	Gear	Ref. 11
11	836139039	1	Bush	
12	836129845	1	Attachment Cover	
13	528801910	1	Bolt	
14	529902720	1	Screw	
15	836647575	1	Cover	
16	835336796	1	Gasket	S2
17	836129782	1	Collet	
18	614105880	1	Seal	S2
19	836129946	1	Gasket	S2
20	835338325	1	Right Tube	
21	504800800	5	Nut	
22	614603540	1	O Ring	S2
23	836017927	1	Cover	
	836655188	1	Pad	USA
24	615881822	1	Collet	S2
25	528801420	2	Bolt	
26	HA6323	5	Screw	
27	529801470	3	Bolt	
28	836119851	1	Left Connection	
29	836120989	1	Double	
30	529801500	2	Screw	
31	836655230	1	Bearing Housing	
32	LA1014	1	Bearing	
33	KG3031	1	Circlip	
34	836674533	1	Gear Z - 38	
35	835336793	1	Gasket	
36	610060090	1	Bearing	
37	528801362	3	Bolt	
38	529801460	4	Screw	
39	836083428	1	Fastening Plate	
40	836664528	1	Bracket	
41	640435008	2	Bolt	
42	615870610	1	Seal Ring	
43	836659093	1	Belt Cover	
44	528801082	2	Bolt	
45	82664500	1	Hose	
46	836655233	1	Connection	
47	615571014	1	Seal Ring	
48	602060612	1	Clamp	
49	836119296	1	Spacer	
50	615571014	2	Seal Ring	USA
51	836664212	2	Banjo Bolt	USA
52	836664543	1	Pipe	USA
53	836009683	1	Clamp	USA
54	835330966	1	Screw	USA
55	836119851	1	Left Connection	
56	836655232	1	Assy	Ref. 31 ao 35



**Suggest:**

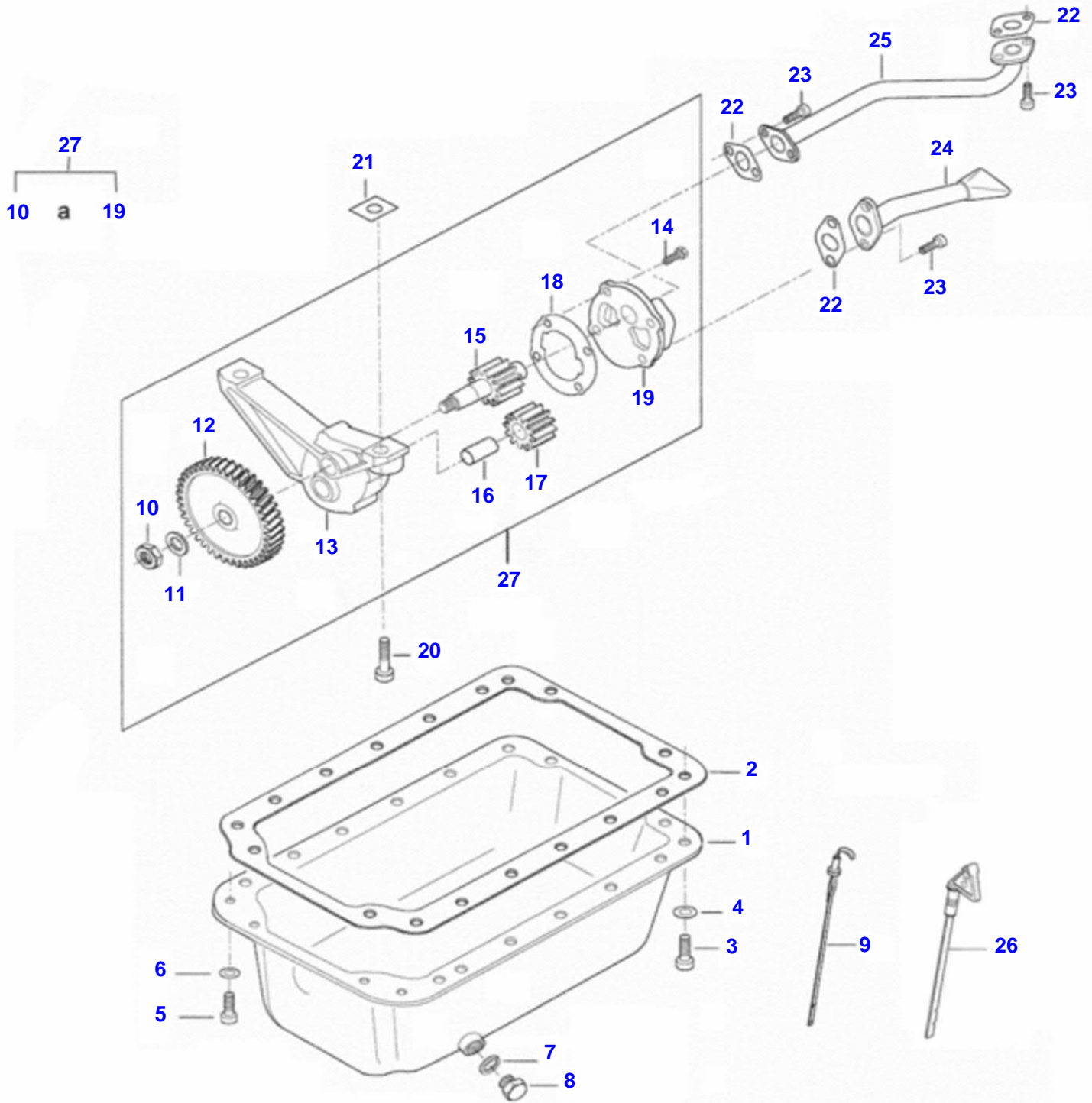
**For more complete manuals. Please go to the home page.**

**<https://www.ebooklibonline.com>**

**If the above button click is invalid. Please download this document first, and then click the above link to download the complete manual.**

**Thank you so much for reading**

700 TRACTOR (BR) - C070001  
00002076



## Sump

Item	Part Number	Qty	Description	Comments
1	836664336	1	Oil Sump	
2	836664515	1	Gasket	S2
3	HC9334	14	Bolt	[A] M10x16
	581804980	18	Bolt	M10x16
4	JD9065	14	Washer	[A] M10
	500951032	18	Washer	M10
5	581804580	4	Bolt	[A] M8x16
	581804580	18	Bolt	M8x16
6	500950800	18	Pressure Ring	M10
	500950800	4	Pressure Ring	[A] M10
7	615881827	1	Seal Ring	S2
8	836655493	1	Plug	M18
9	836014330	1	Measuring	
10	504861000	1	Nut	M10
11	836122910	1	Washer	
12	836652596	1	Gear	
13	836120195	1	Housing	
14	528801380	4	Bolt	
15	836652600	1	Gear	
16	836120191	1	Shaft	
17	836120193	1	Gear	
18	836119796	1	Gasket	S2
19	836119794	1	Cover	
20	581705050	2	Bolt	
21	836007871	1	Shim	
22	836008449	3	Gasket	S2
23	581804600	2	Bolt	
24	836664495	1	Suction Pipe	
25	836659624	1	Pressure Tube	Up to Serial or Engine Number EX8151
	836673154	1	Pressure Tube	From Serial or Engine Number EX8152
26	836666908	1	Measuring	TIER II
27	836652604	1	Built Oil Pump	[A] Ref.10-19/BS03/0
	836673147	1	Oil Pump	Up to Serial or Engine Number EX8151 From Serial or Engine Number EX8152

FOOTNOTE [A] STARTING FROM THE TRACTORS 700 SERIES 0700DA00174

**<https://www.ebooklibonline.com>**

Hello dear friend!

Thank you very much for reading.

Enter the link into your browser.

The full manual is available for immediate download.

**<https://www.ebooklibonline.com>**