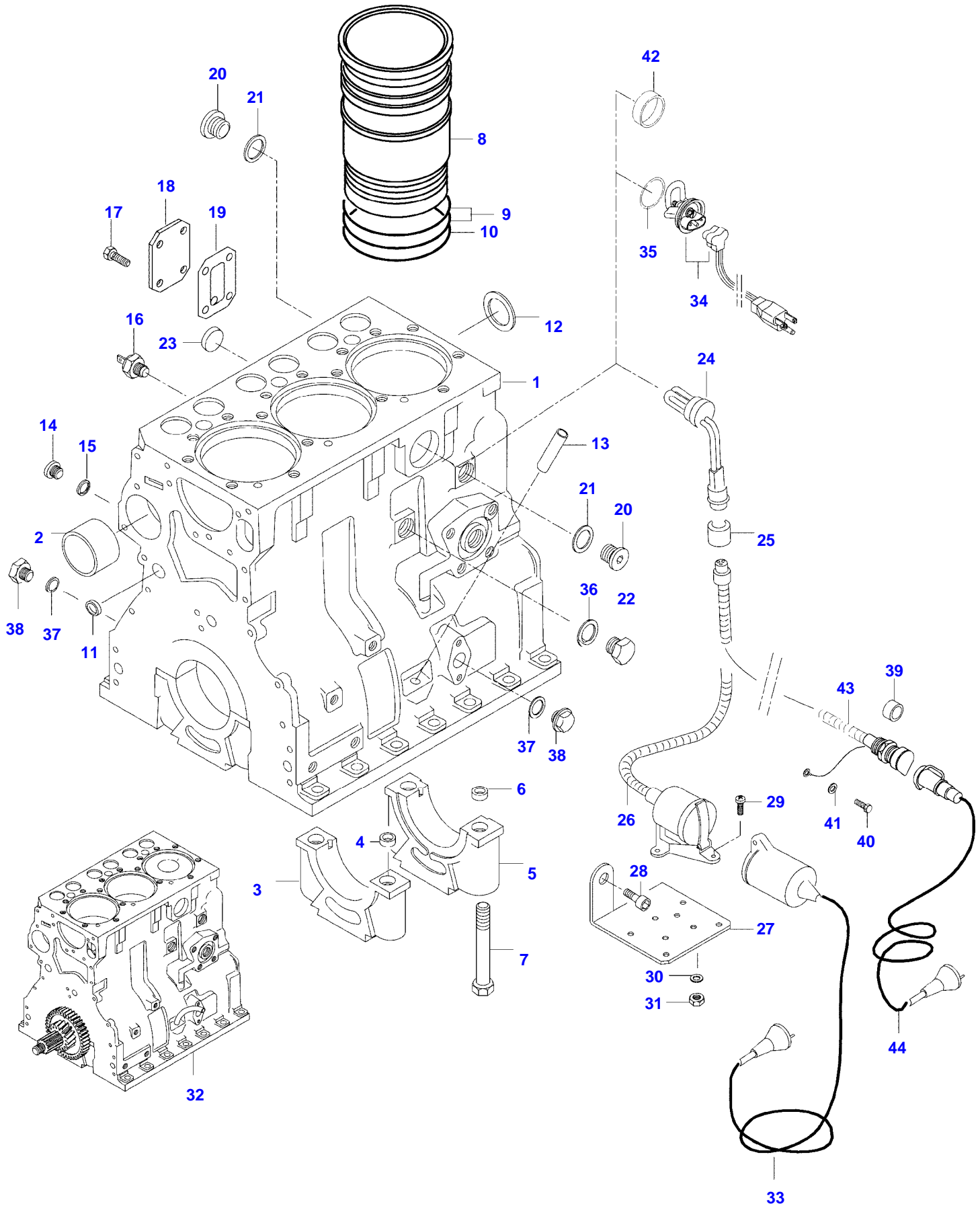


<b>Page Number</b>	<b>Page Title</b>	<b>Page Reference</b>
01-000-TOC	ENGINE, FUEL AND EXHAUST SYSTEM	01-000-TOC
02-000-TOC	AXLES	02-000-TOC
03-000-TOC	STEERING SYSTEM	03-000-TOC
04-000-TOC	DRIVE TRAIN SYSTEM	04-000-TOC
05-000-TOC	BRAKE SYSTEM	05-000-TOC
06-000-TOC	COMPRESSED AIR SYSTEM	06-000-TOC
07-000-TOC	HYDRAULIC SYSTEM	07-000-TOC
08-000-TOC	ELECTRICAL SYSTEM	08-000-TOC
09-000-TOC	CAB	09-000-TOC
10-000-TOC	AIR CONDITIONING AND HEATING SYSTEM	10-000-TOC
11-000-TOC	CHASSIS	11-000-TOC
12-000-TOC	DECALS	12-000-TOC
13-000-TOC	WHEELS	13-000-TOC
14-000-TOC	IMPLEMENT DRIVE SYSTEM	14-000-TOC
15-000-TOC	IMPLEMENT LIFT SYSTEM FRONT	15-000-TOC
16-000-TOC	IMPLEMENT LIFT SYSTEM REAR	16-000-TOC
17-000-TOC	ATTACHMENTS	17-000-TOC
18-000-TOC	GENERAL INFORMATION	18-000-TOC

Page Number	Page Title	Page Reference
01-0001	CYLINDERBLOCK	21-02
01-0002	FLYWHEEL AND HOUSING	21-06
01-0003	CYLINDER HEAD	21-08
01-0004	VALVE MECHANISM	21-12
01-0005	CRANK MECHANISM	21-16
01-0006	GEAR HOUSING	21-20
01-0007	OIL SUMP	21-22
01-0008	OIL FILTER	21-26
01-0009	AIR CLEANER	21-28
01-0010	AIR CLEANER	21-28A
01-0011	TURBO-CHARGER	21-30
01-0012	INTAKE- AND EXHAUST PIPE	21-34
01-0013	MUFFLER	21-38
01-0014	FEED PUMP	22-02
01-0015	FUEL FILTER	22-06
01-0016	FUEL FILTER	22-08A
01-0017	PREFILTER, FUEL	22-10A
01-0018	FUEL PIPES	22-12
01-0019	FUEL PIPES	22-12A
01-0020	INJECTION PUMP	22-14
01-0021	INJECTION PUMP VALTRA DO BRASIL	22-14B
01-0022	SPEED LEVERS	22-20
01-0023	SPEED LEVERS VALTRA DO BRASIL	22-20A
01-0024	SPEED LEVERS, FOREST	22-22
01-0025	RADIATOR	23-02
01-0026	COOLANT PUMP -J17504(M)	23-04
01-0027	COOLANT PUMP	23-04A
01-0028	COOLANT PUMP J17505-(M) J10179(M)-J10187(M) J10191(M)-J10193(M) J12660(M)-J12671(M) J16187(M) J16726(M) J16747(M) J16751(M)	23-06
01-0029	STARTERMOTOR -J6773(M)	31-02
01-0030	STARTERMOTOR J6774-(M)	31-02A
01-0031	STARTERMOTOR	31-02B
01-0032	ALTERNATOR -J6773(M)	31-04
01-0033	ALTERNATOR J6774-(M)	31-04A
01-0034	ENGINE REPAIR KIT AND BEARINGS	28-10

700 TRACTOR (600-900 SERIES)  
SPIMG-004-21-02



**<https://www.ebooklibonline.com>**

Hello dear friend!

Thank you very much for reading.

Enter the link into your browser.

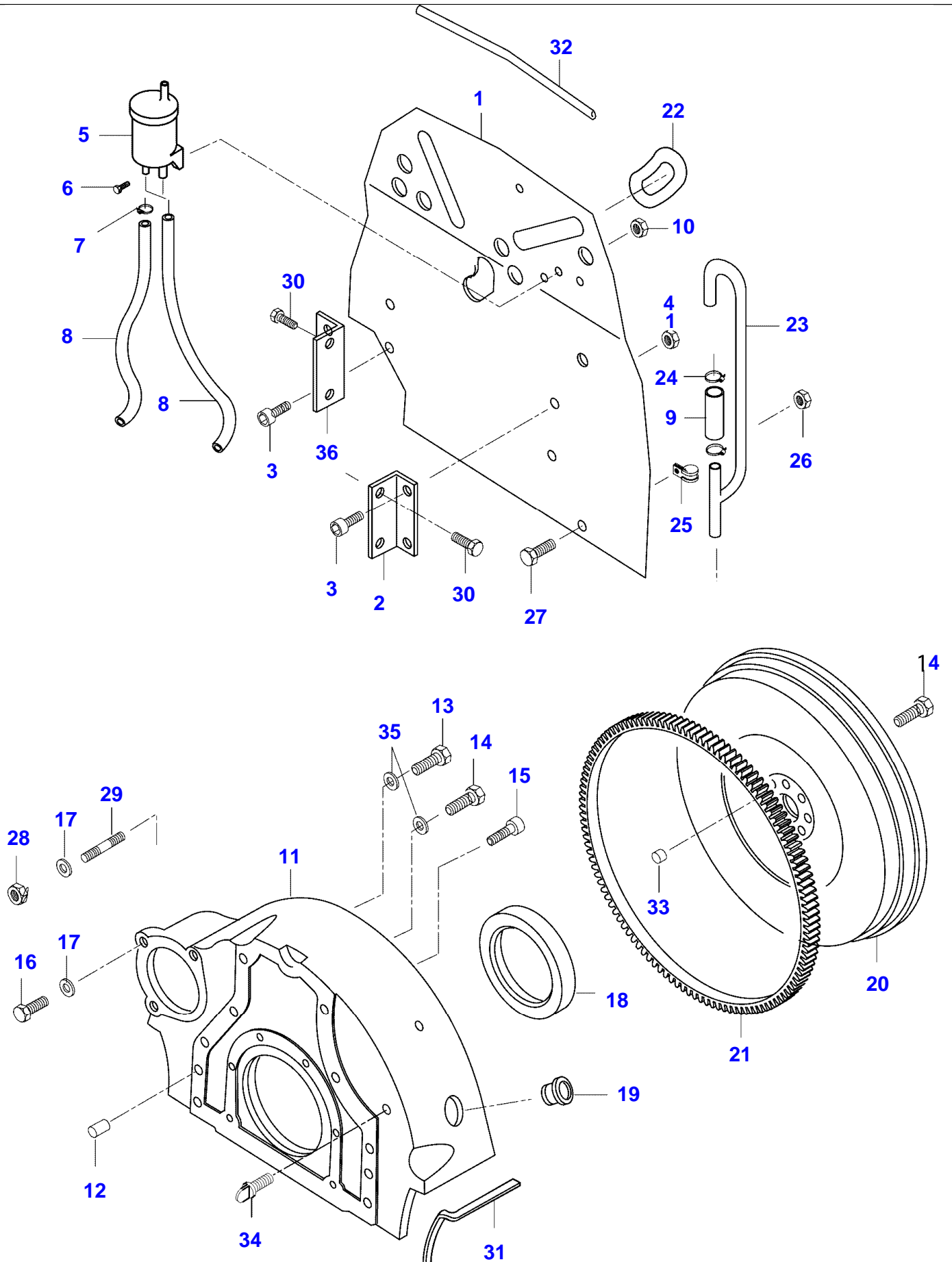
The full manual is available for immediate download.

**<https://www.ebooklibonline.com>**

Item	Part Number	Qty	Description Comments	Technical Specification
1	V836664514	1	CYLINDER-BLOCK	
2	V836322610	1	CAMSHAFT BEARING BUSHING	
3	NS	3	NON-SERVICEABLE PART	
4	V836214478	6	BEARING COVER GUIDE SLEEVE	
5	NS	1	NON-SERVICEABLE PART	
6	V836214478	2	BEARING COVER GUIDE SLEEVE	
7	V835329030	8	HEX CAP SCREW	
8	V836647420	3	LINER	FLANGE HEIGHT + 0.05 MM
	V836647933		LINER FLANGE S=9.08	
	V836647934		LINER FLANGE S=9.13	FLANGE HEIGHT + 0.10 MM
	V836647935		LINER FLANGE S=9.23	FLANGE HEIGHT + 0.15 MM
	V836666550		CYLINDER BARREL VALTRA DO BRASIL UNITED STATES OF AMERICA	
9	V836647502	6	CYLINDER LINER O-RING S2	
10	V836647503	3	CYLINDER LINER O-RING S2	
11	V640016016	4	CUP PLUG S2	
12	V836529872	1	PLUG	
13	V836014334	1	OIL DIPSTICK GUIDE PIPE	
14	V640325110	2	SCREW PLUG	
15	V615571014	2	SEALING WASHER S2	
16	V887283760	1	PRESSURE SWITCH	
17	V528801362	2	HEX CAP SCREW -H3286(M)	
	V528801362	4	HEX CAP SCREW	
18	V836647400	1	COVER -H3286(M)	
	V836659543	1	COVER H3287-(M)	
19	V836647401	1	GASKET S2 -H3286(M)	
	V836659544	1	GASKET S2 H3287-(M)	
20	V640325018	2	PLUG	
21	V615881822	2	SEALING WASHER	
22	V836019756	1	PLUG	
23	V640016018	1	CUP PLUG	
24	V836647622	1	ENGINE BLOCK HEATER 750W	
25	V33550000	1	ROD CLAMP	
26	V836130361	1	CABLE L=500 -1999	
43	V33733700	1	CABLE MINI	L=1500
27	V836655927	1	BRACKET	

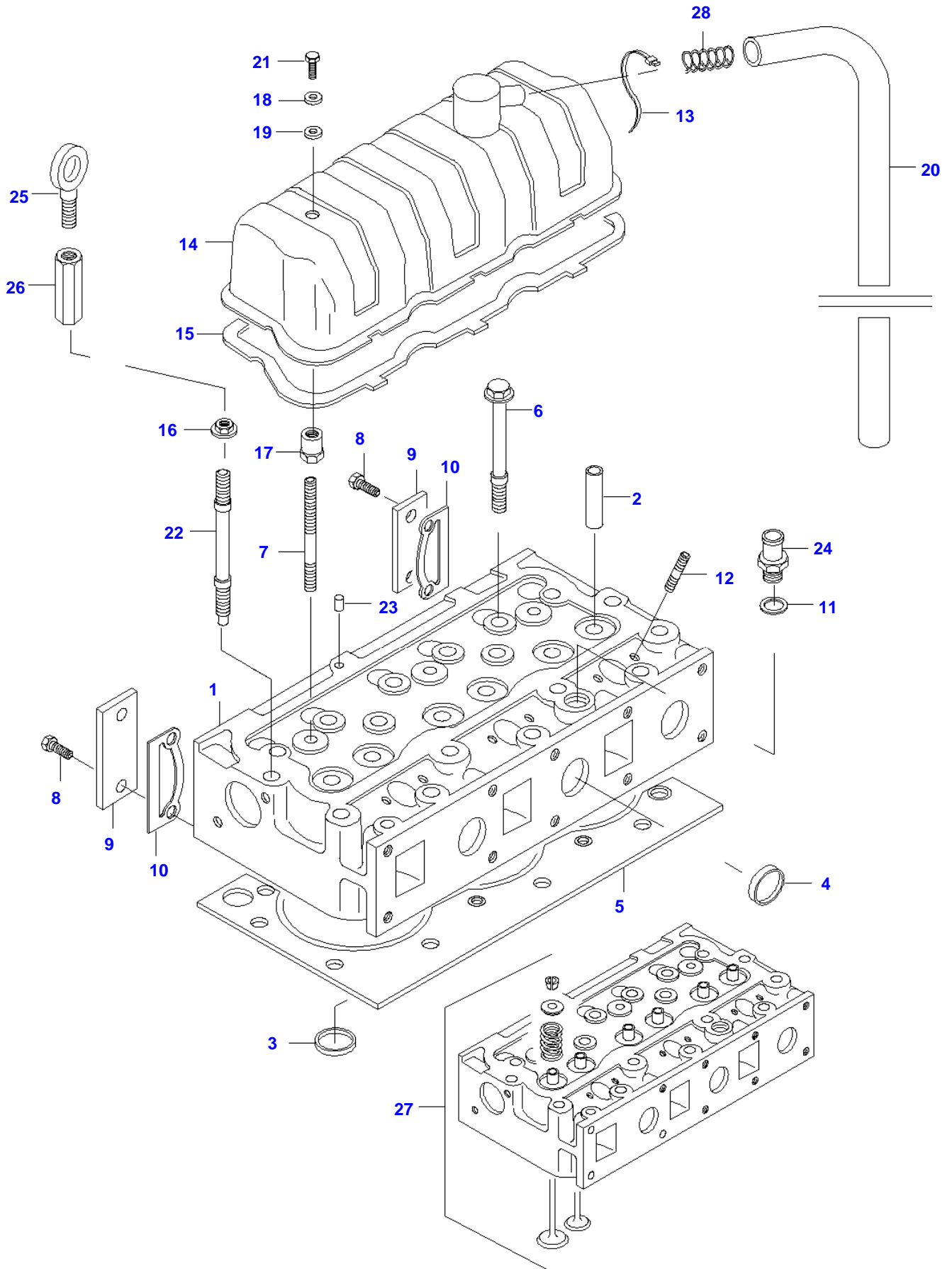
Item	Part Number	Qty	Description Comments	Technical Specification
28	V581805800	2	HEX SOCKET SCREW	
29	V572502582	3	SCREW	
30	V503050432	2	WASHER	
31	V504600402	3	NUT	
32	V836640357	1	SHORT BLOCK ENGINE	
33	V725930	1	WIRE -1999	L=5000
	V63978300	1	CONNECTING WIRE DENMARK -1999	L=5000
	V725932	1	WIRE FRANCE -1999	L=5000
44	V33733800	1	WIRE MINI	L=5000
	V33733900	1	WIRE DENMARK MINI	L=5000
	V33734000	1	WIRE FRANCE MINI	L=5000
34	V836640935	1	ENGINE BLOCK HEATER 600W 120V CANADA	
35	V836640999	1	O-RING . CANADA	
36	V615881824	1	SEALING WASHER S2	
37	V615881216	2	SEALING WASHER	
38	V640305012	2	PLUG	
39	V33734100	1	SLEEVE BUSHING	
40	VHN6816	1	SCREW	B 4.2 X 30 SFS-ISO_7049
41	VJD9019	2	WASHER	A 4.3 X 0.5 DIN6798
42	V640016040	1	CUP PLUG	
	V836640289	1	ENGINE GASKET KIT S1	
	V836640356	1	ENGINE GASKET KIT S1+S2	

700 TRACTOR (600-900 SERIES)  
SPIMG-004-21-06



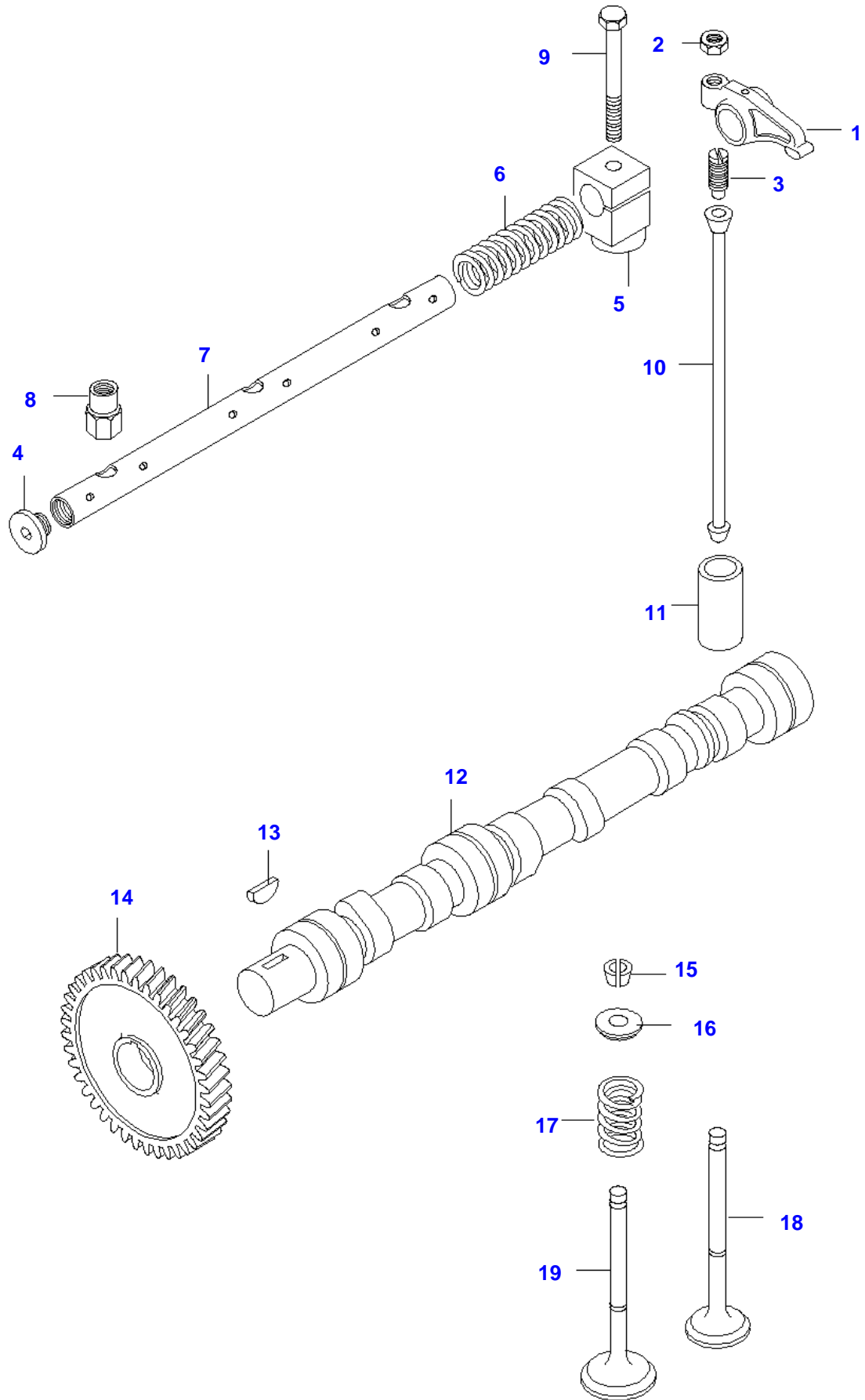
Item	Part Number	Qty	Description Comments	Technical Specification
1	V836659619	1	FLYWHEEL HOUSING -J12659(M)	
	V836664018	1	FLYWHEEL HOUSING J12660-(M)	
2	V836659279	1	BRACKET LEFT	
36	V836659278	2	BRACKET RIGHT	
3	V581804582	4	HEX SOCKET SCREW	
4	V504800800	4	NUT	
5	V835324375	1	RESERVOIR SEE PAGE 01-0012	
6	V528800762	2	HEX CAP SCREW	
7	V602066609	4	HOSE CLIP	
8	V836136702	2	RUBBER HOSE L=160 -J12659(M)	
	V836655792	1	RUBBER HOSE L=320 J12660-(M)	
9	V835328356	1	RUBBER HOSE L=40	
10	V510600502	2	NUT	
11	V836752443	1	FLYWHEEL HOUSING	
12	V598359850	2	PIN	
13	V581705440	2	HEX SOCKET SCREW	
14	V528702220	14	HEX CAP SCREW	
15	V581705030	6	HEX SOCKET SCREW	
16	V528801800	3	HEX CAP SCREW	
17	V500951000	3	SPRING WASHER	
18	V614500002	1	CRANKSHAFT SEAL S2	
19	V836428065	1	RUBBER PLUG D=38	
	V836007572	1	RUBBER PLUG D=25	
20	V836538043	1	FLYWHEEL	
21	V836014127	1	ANNULAR GEAR	
23	V836759585	1	PIPE SEE PAGE 01-0012	
24	V602066612	2	HOSE CLIP	
25	V602074610	2	HOSE CLIP	
26	V504600502	2	NUT	
27	V528800802	2	HEX CAP SCREW	
30	V528801760	2	HEX CAP SCREW	
31	V31085600	1	GASKET LEFT	
	V31085500	1	GASKET RIGHT	
32	V30229000	1	GASKET	L=1200MM
33	V836659527	1	GUIDE SLEEVE	
34	V836859311	1	PLUG	
35	V500951200	8	SPRING WASHER	

700 TRACTOR (600-900 SERIES)  
SPIMG-004-21-08



Item	Part Number	Qty	Description Comments
1	V836655379	1	CYLINDER HEAD
2	V836647601	6	GUIDE
3	V836647600	3	VALVE SEAT
4	V836647942	5	CUP PLUG
5	V836664155	1	CYLINDER HEAD GASKET S1
6	V836859104	15	HEXAGON FLANGE BOLT -K3020(M)
	V836859104	16	HEXAGON FLANGE BOLT K3021-(M)
7	V546801900	2	STUD BOLT
8	V528801800	4	HEX CAP SCREW
9	V836855350	2	BLOCK OFF PLATE
10	V836855417	2	GASKET S1
11	V615881822	1	SEALING WASHER S1
12	V546901435	6	STUD BOLT
13	V835329746	1	CABLE TIE
14	V836646359	1	VALVE ROCKER COVER
15	V836646360	1	VALVE ROCKER COVER GASKET S1
16	V836859110	2	NUT -K3020(M)
	V836859110	1	NUT K3021-(M)
17	V836655406	2	SLEEVE NUT
18	V836119855	2	WASHER
19	V836012841	2	RUBBER BUSHING S1
20	V836647814	1	RUBBER HOSE
21	V528801780	2	HEX CAP SCREW
22	V836859109	2	STUD BOLT -K3020(M)
	V836859109	1	STUD BOLT K3021-(M)
23	V595959140	1	PIN
24	V836119837	1	HOSE COUPLER
25	V836640252	1	LIFT EYE
26	V836647835	1	LIFTING EYE EXTENSION
27	V836640853	1	CYLINDER HEAD
28	V836659103	1	SPRING

700 TRACTOR (600-900 SERIES)  
SPIMG-004-21-12



Item	Part Number	Qty	Description Comments
	V836666610	1	ROCKER SHAFT ASM
1	V836666608	6	ROCKER ARM
			.
2	V512861000	6	NUT
			..
3	V836655866	6	ADJUSTING SCREW
			..
4	V836655899	2	PLUG
			.
5	V836655869	3	BRACKET
			.
	V836666609	3	BRACKET
			.
			M5020-(M)
6	V836655884	2	SPRING
			.
7	V836655870	1	SHAFT
			.
8	V836655406	2	SLEEVE NUT
9	V529801910	1	HEX CAP SCREW
10	V836655867	6	PUSHROD
11	V836014264	6	TAPPET
12	V836646374	1	CAMSHAFT
13	V603305760	1	WOODRUFF KEY
14	V836646389	1	GEAR,CAMSHAFT
15	V836646382	12	COTTER
16	V836646381	6	WASHER
17	V836646380	6	SPRING
18	V836646357	3	EXHAUST VALVE
19	V836646356	3	INTAKE VALVE



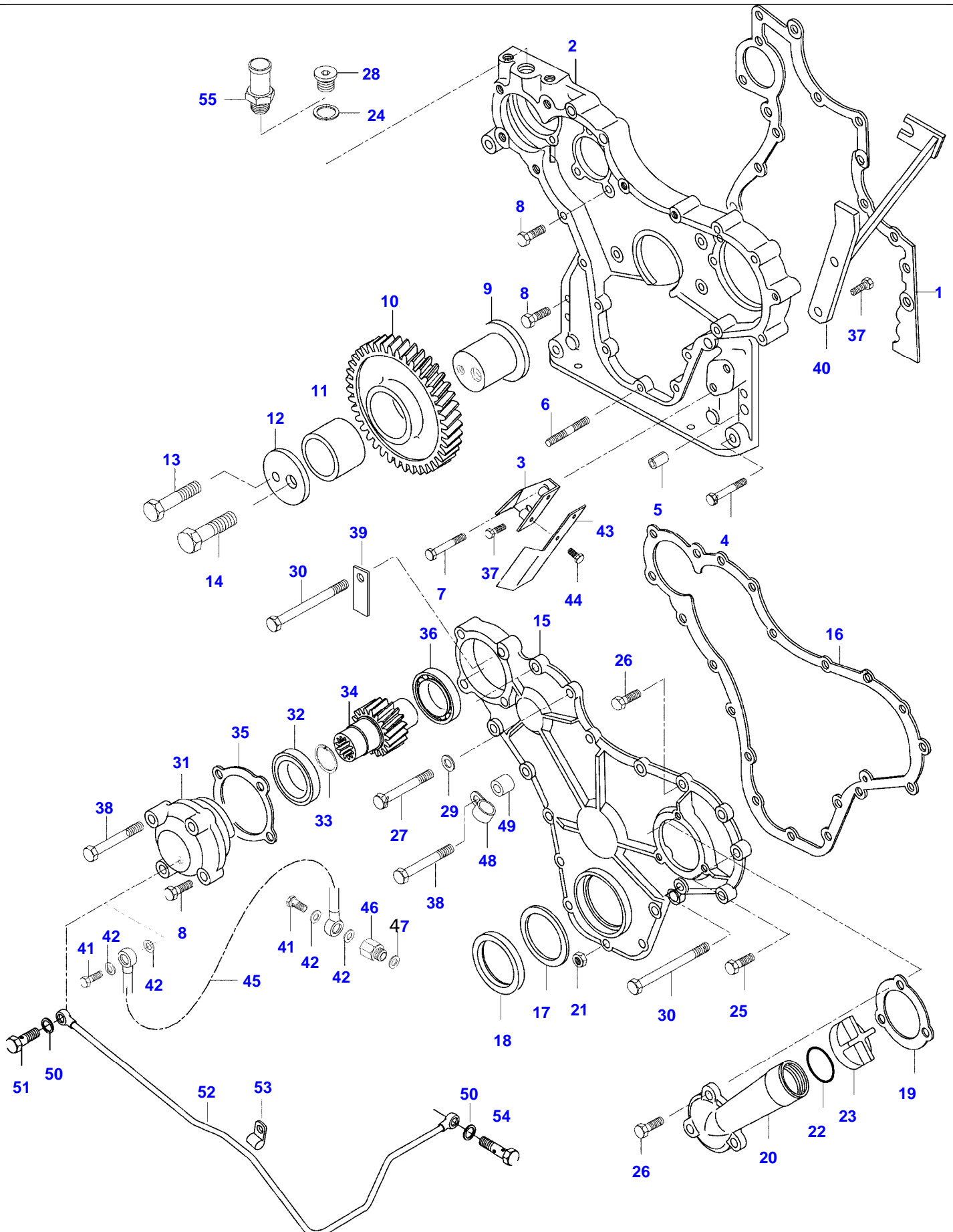
Item	Part Number	Qty	Description Comments	Technical Specification
1	V836647314	1	CRANKSHAFT	
2	V603345110	1	KEY	
3	V836655269	3	KIT, PISTON	
4	NS	3	NON-SERVICEABLE PART	
5	NS	6	PISTON PIN NON-SERVICEABLE PART	
6	V836640126	3	CIRCLIP PISTON RING KIT	
7	V836640968	1	CONNECTING ROD KIT	
	V82659700	1	CONNECTING ROD KIT VALTRA DO BRASIL UNITED STATES OF AMERICA	
	V836647460	3	CONROD 2150-2169 G X -L13633(M)	
	V836652104		CONROD 2170-2189 G A -L13633(M)	
	V836652105		CONROD 2190-2209 G B -L13633(M)	
	V836652106		CONROD 2210-2229 G C -L13633(M)	
	V836652107		CONROD 2230-2249 G D -L13633(M)	
	V836652108		CONROD 2250-2269 G E -L13633(M)	
	V836652109		CONROD 2270-2289 G H -L13633(M)	
	V836652110		CONROD 2290-2309 G I -L13633(M)	
	V836652111		CONROD 2310-2329 G J -L13633(M)	
	V836652112		CONROD 2330-2349 G K -L13633(M)	
	V836652113		CONROD 2350-2369 G L -L13633(M)	
	V836652114		CONROD 2370-2389 G M -L13633(M)	
	V836652115		CONROD 2390-2409 G N -L13633(M)	
	V836652116		CONROD 2410-2429 G O -L13633(M)	
	V836652117		CONROD 2430-2449 G P -L13633(M)	
	V836652118		CONROD 2450-2469 G R -L13633(M)	
	V836652119		CONROD 2470-2489 G S -L13633(M)	

Item	Part Number	Qty	Description Comments	Technical Specification
	V836652120		CONROD 2490-2509 G T -L13633(M)	
	V836652121		CONROD 2510-2529 G U -L13633(M)	
23	NS		NON-SERVICEABLE PART CONNECTING ROD 1935-1954 G F L13634-(M)	
	NS		NON-SERVICEABLE PART CONNECTING ROD 1955-1974 G V L13634-(M)	
	NS		NON-SERVICEABLE PART CONNECTING ROD 1975-1994 G X L13634-(M)	
	NS		NON-SERVICEABLE PART CONNECTING ROD 1995-2014 G Y L13634-(M)	
	NS		NON-SERVICEABLE PART CONNECTING ROD 2015-2034 G W L13634-(M)	
	NS		NON-SERVICEABLE PART CONNECTING ROD 2035-2054 G Z L13634-(M)	
	NS		NON-SERVICEABLE PART CONNECTING ROD 2055-2074 G G L13634-(M)	
8	V836646204	6	CONNECTING ROD BOLT .	
			-L13633(M)	
24	V836864141	6	CONNECTING ROD BOLT .	
			L13634-(M)	
9	V836646205	6	NUT .	
			-L13633(M)	
10	V836646271	3	BEARING BUSH .	
			-L13633(M)	
25	V836110646	3	BEARING BUSH .	STD
			L13634-(M)	
11	V836110552	3	BEARING SHELL SEE PAGE 01-0034	
12	V836655514	4	MAIN BEARING SEE PAGE 01-0034	
13	V836119459	2	THRUST WASHER SEE PAGE 01-0034	
14	V836117650	1	GEAR -L20629(M) Z=51	
	V836120019	1	GEAR,CRANKSHAFT L20630-(M) Z=55	
15	V836122840	1	GEAR,CRANKSHAFT	
16	V836129781	1	RING	
17	V836136271	1	SHIELD	
18	V836846463	1	CRANKSHAFT HUB	
19	V836655449	1	CRANKSHAFT V-BELT PULLEY	

---

Item	Part Number	Qty	Description Comments	Technical Specification
20	V836647310	1	CRANKSHAFT NUT	
21	V581804600	6	HEX SOCKET SCREW	
22	V595953360	1	PIN	

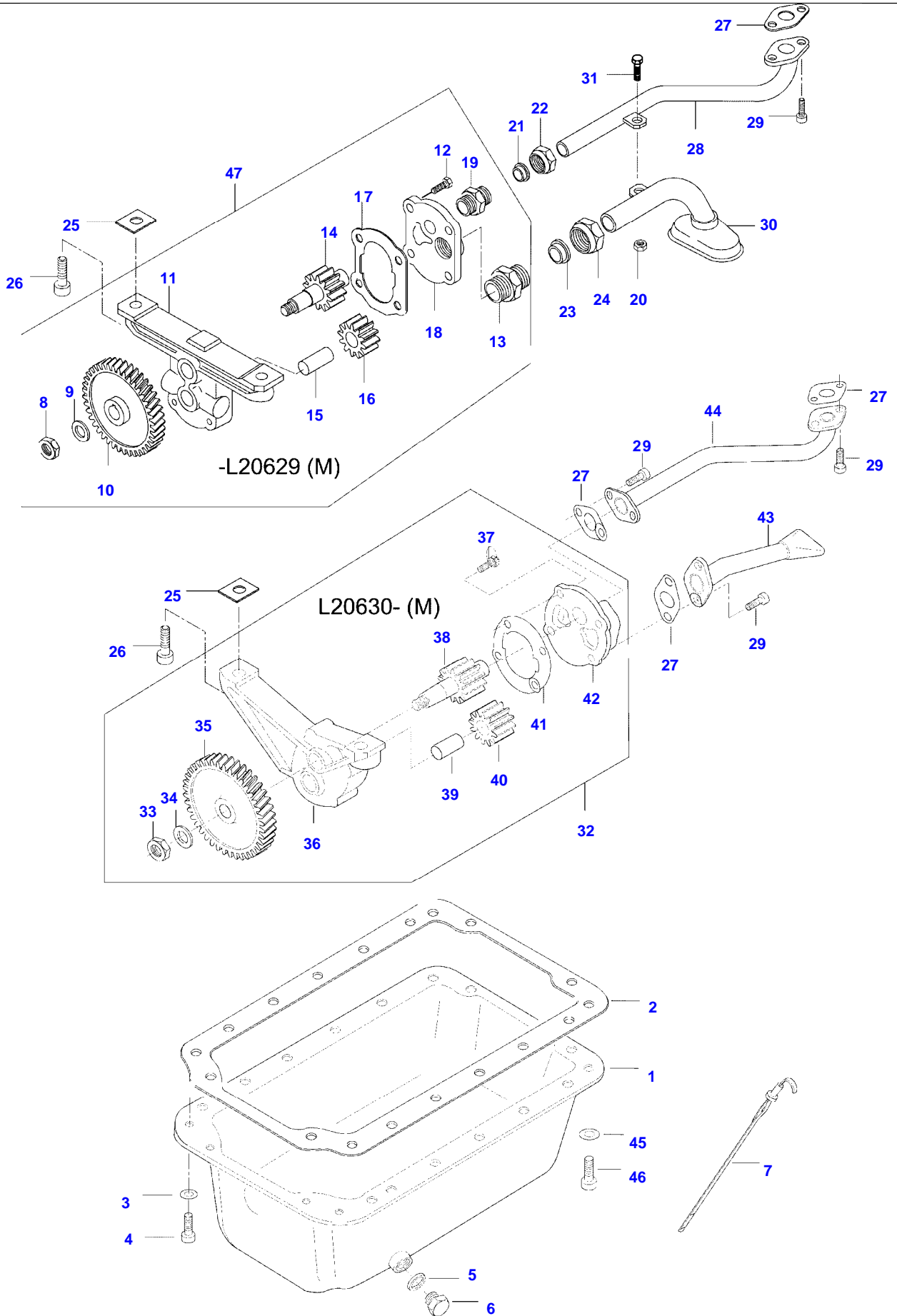
700 TRACTOR (600-900 SERIES)  
SPIMG-004-21-20



Item	Part Number	Qty	Description Comments
1	V836647419	1	GASKET S2
2	V836647407	1	TIMING GEAR CASE
3	V836655720	1	TIMING MARK INDICATOR
4	V529801440	2	HEX CAP SCREW
5	V598359850	4	PIN
6	V546801380	5	STUD BOLT
7	V529801450	1	HEX CAP SCREW
8	V528801400	10	HEX CAP SCREW
9	V836766127	1	SHAFT
	V836138354	1	IDLER GEAR ASSEMBLY
10	NS	1	NON-SERVICEABLE PART . GEAR
11	V836139039	1	BUSHING .
12	V836129845	1	FLANGE
13	V528801910	1	SCREW
14	V529902720	1	HEX CAP SCREW
15	V836647575	1	GEAR HOUSING FRONT COVER
16	V835336796	1	GASKET S2
17	V836129782	1	COVER
18	V614105880	1	OIL SEAL S2
19	V836129946	1	GASKET S2
20	V835338325	1	ENGINE OIL FILL PIPE
21	V504800800	5	NUT
22	V614603540	1	O-RING S2
23	V836017927	1	CAP
	V836655188	1	CAP INCLUDES CHAIN
24	V615881822	1	SEALING WASHER S2
25	V528801420	2	HEX CAP SCREW
26	V528801382	5	HEX CAP SCREW
27	V529801470	3	HEX CAP SCREW
28	V640325018	1	PLUG
55	V836119851	1	FITTING TURBO
29	V836120989	1	WASHER
30	V529801500	2	HEX CAP SCREW
	V836655232	1	DRIVE ASSEMBLY -K17877(M)
	V836666028	1	DRIVE ASSEMBLY K17878-(M)
31	V836655230	1	BEARING HOUSING . -K17877(M)
	V836664542	1	BEARING HOUSING . K17878-(M)
32	V610060096	1	BALL BEARING .
33	V617330031	1	LOCK RING .
34	V836120880	1	SHAFT .
35	V835336793	1	GASKET S2
36	V610060096	1	BALL BEARING

Item	Part Number	Qty	Description Comments
37	V528801362	3	HEX CAP SCREW
38	V529801460	4	HEX CAP SCREW
39	V836083428	1	CABLE TIE
41	V528801042	1	HEX CAP SCREW -1998
	V835331289	2	BANJO BOLT
42	V615870610	4	SEALING WASHER
43	V836659093	1	SHIELD
44	V528801082	2	HEX CAP SCREW
45	V836655234	1	HOSE
46	V836655736	1	UNION J10179-(M)
47	V615571014	1	SEALING WASHER
48	V602060612	1	RETAINER CLAMP
49	V836119296	1	SPACER PIECE
50	V615571014	4	SEALING WASHER K17878-(M)
51	V836664212	1	BANJO BOLT K17878-(M)
52	V836664543	1	OIL PIPE K17878-(M)
53	V836009683	1	RETAINER CLAMP K17878-(M)
54	V835330966	1	BANJO BOLT K17878-(M) [A] [A] LINE PUMP

700 TRACTOR (600-900 SERIES)  
SPIMG-004-21-22



Item	Part Number	Qty	Description Comments
1	V836664336	1	OIL SUMP
2	V836006704	1	GASKET -L5723(M) S2
	V836664515	1	GASKET L5724-(M)
3	V500950800	18	SPRING WASHER -L5723(M)
	V500950800	4	SPRING WASHER L5724-(M)
45	V500951032	14	SPRING WASHER L5724-(M)
4	V528801362	18	HEX CAP SCREW -L5723(M)
	V581804580	4	HEX SOCKET SCREW L5724-(M)
46	V581804980	14	HEX SOCKET SCREW L5724-(M)
5	V836655490	1	SEALING WASHER S2 -H3927(M)
	V615881827	1	SEALING WASHER S2 H3928- (M)
6	V836655492	1	PLUG -H3927(M)
	V836655493	1	PLUG H3928- (M)
7	V836014330	1	DIPSTICK
47	V836652602	1	LUBRICATING OIL PUMP ASSEMBLY -L20629(M)
8	V504861000	1	NUT . -L20629(M)
9	V836122910	1	WASHER . -L20629(M)
10	V836652595	1	GEAR . -L20629(M)
11	V836014197	1	HOUSING . -L20629(M)
12	V528801380	4	HEX CAP SCREW . -L20629(M)
13	V836183814	1	FRAME . -L20629(M)
14	V836652598	1	OIL PUMP SHAFT . -L20629(M)
15	V836010166	1	OIL PUMP SHAFT . -L20629(M)
16	V836010164	1	GEAR,OIL PUMP . -L20629(M)
17	V836014198	1	GASKET . S2 -L20629(M)
18	V836117653	1	COVER . -L20629(M)

Item	Part Number	Qty	Description Comments
19	V836082264	1	UNION . -L20629(M)
20	V504600602	1	NUT -L20629(M)
21	V836082276	1	RING -L20629(M)
22	V836082277	1	NUT -L20629(M)
23	V836183816	1	RING -L20629(M)
24	V836428338	1	NUT -L20629(M)
25	V836007871	X	SHIM
26	V581705050	2	HEX SOCKET SCREW
27	V836008449	1	GASKET S2 -L20629(M)
	V836008449	3	GASKET S2 L20630-(M)
28	V836647565	1	OIL PIPE -L20629(M)
29	V581804600	2	HEX SOCKET SCREW -L20629(M)
	V581804600	6	HEX SOCKET SCREW L20630-(M)
30	V836647570	1	OIL PUMP SUCTION PIPE -L20629(M)
31	V528801082	1	HEX CAP SCREW
32	V836652604	1	LUBRICATING OIL PUMP ASSEMBLY L20630-(M)
33	V504861000	1	NUT . L20630-(M)
34	V836122910	1	WASHER . L20630-(M)
35	V836652596	1	GEAR . L20630-(M)
36	V836120195	1	HOUSING . L20630-(M)
37	V528801380	4	HEX CAP SCREW . L20630-(M)
38	V836652600	1	OIL PUMP SHAFT . L20630-(M)
39	V836120191	1	OIL PUMP SHAFT . L20630-(M)
40	V836120193	1	GEAR . L20630-(M)
41	V836119796	1	GASKET . S2 L20630-(M)
42	V836119794	1	COVER . L20630-(M)
43	V836664495	1	OIL PUMP SUCTION PIPE L20630-(M)

---

Valtra

700 TRACTOR (600-900 SERIES)

VF69700

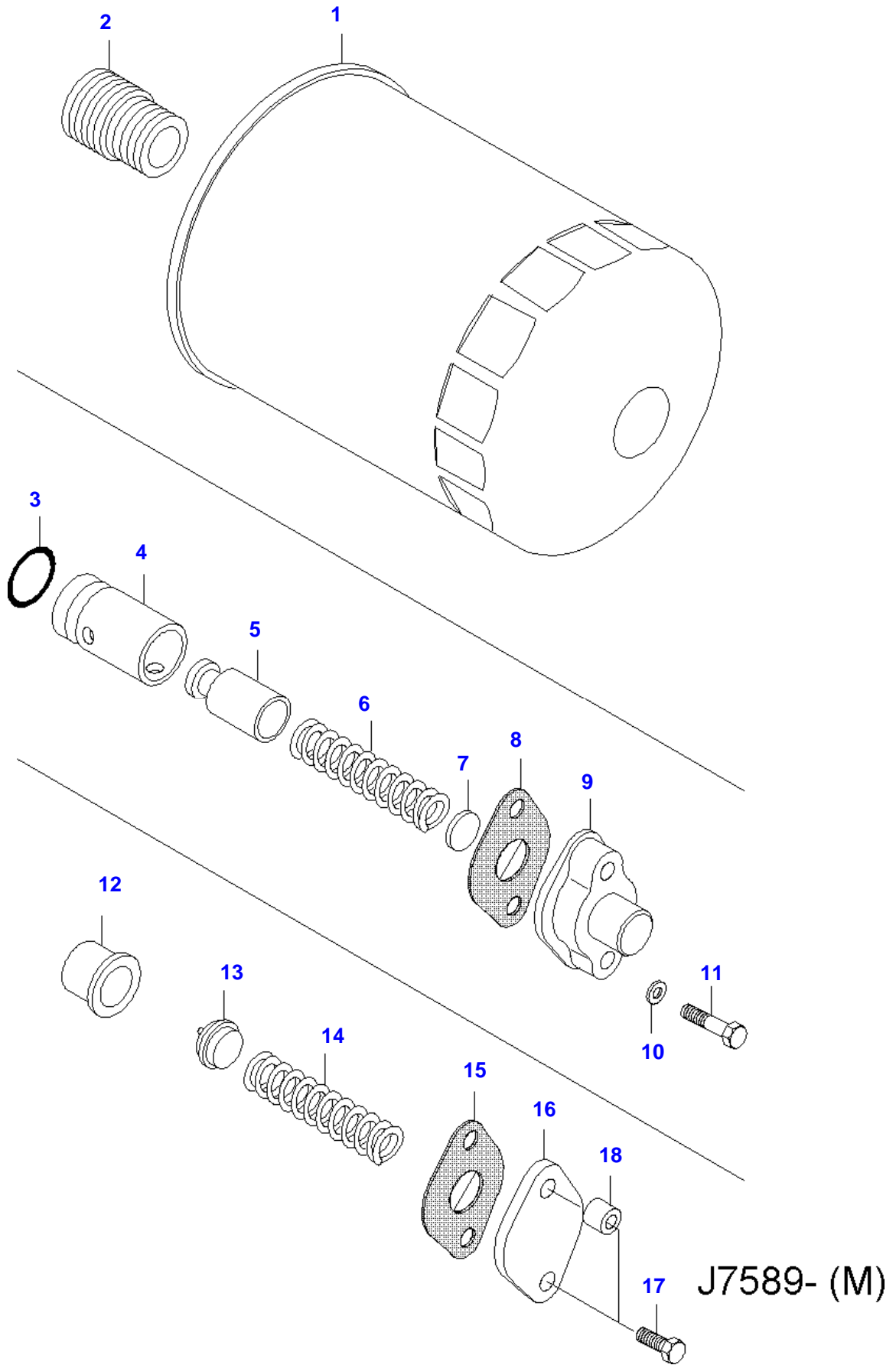
OIL SUMP

Page01-0007

---

Item	Part Number	Qty	Description Comments
44	V836659624	1	OIL PIPE L20630-(M)

700 TRACTOR (600-900 SERIES)  
SPIMG-004-21-26





**Suggest:**

**For more complete manuals. Please go to the home page.**

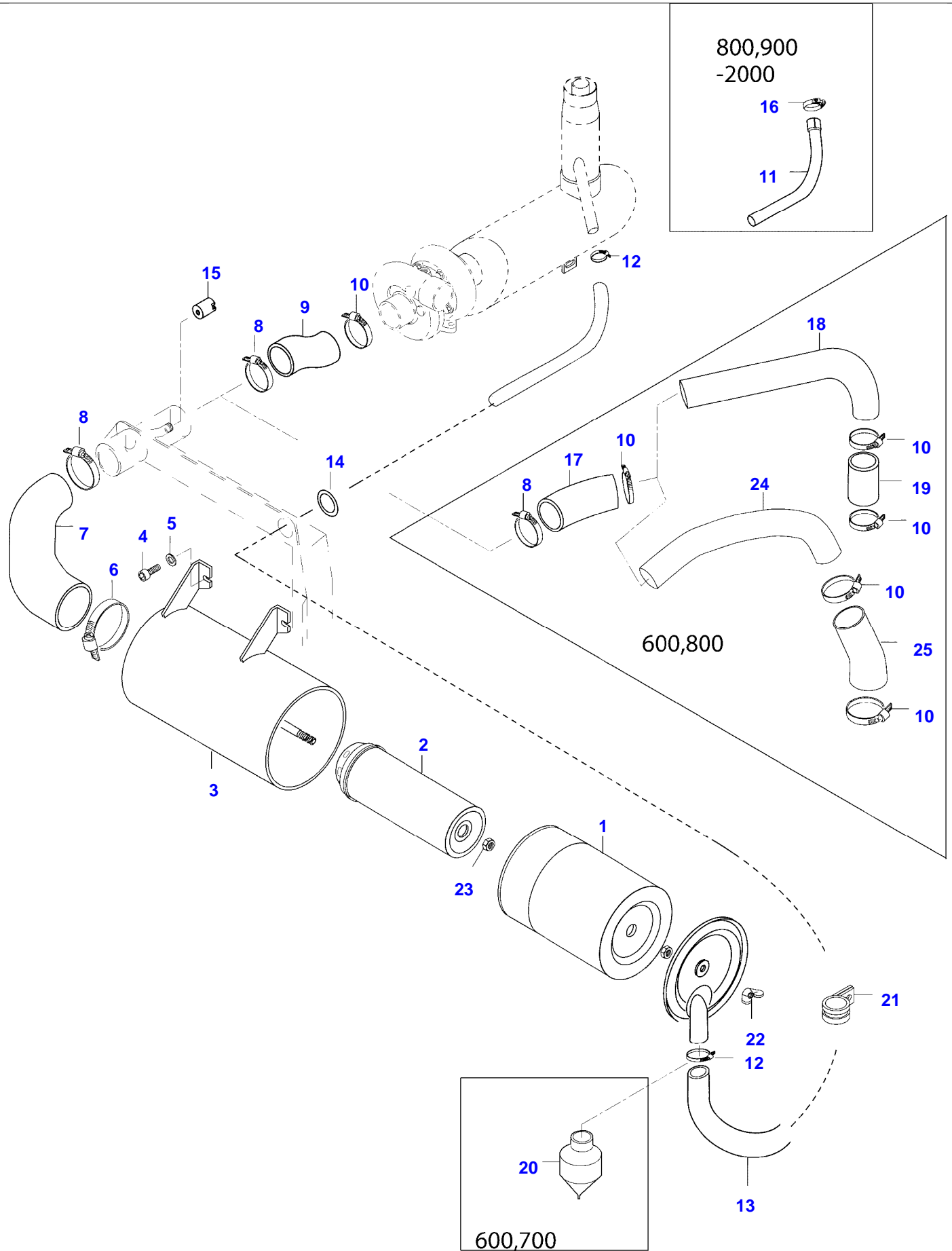
**<https://www.ebooklibonline.com>**

**If the above button click is invalid. Please download this document first, and then click the above link to download the complete manual.**

**Thank you so much for reading**

Item	Part Number	Qty	Description Comments
1	V20136346	1	OIL FILTER
2	V836647404 V835340042	1	UNION OIL PRESSURE CONTROL VALVE ASSEMBLY -J7588(M)
3	V614601524	1	O-RING . S2
4	V836117834	1	CYLINDER .
5	V836338850	1	OIL PRESSURE CONTROL VALVE .
6	V836117836	1	SPRING .
7	V836020290	1	INJECTOR SHIM .
8	V836322190	1	GASKET . S2
9	V836129849	1	COVER
10	V500950800	1	SPRING WASHER
11	V528801420 V836662129	2	HEX CAP SCREW OIL PRESSURE CONTROL VALVE ASSEMBLY J7589-(M)
12	V836659521	1	VALVE SEAT .
13	V836659522	1	VALVE CONE .
14	V836659523	1	SPRING .
15	V836322190	1	GASKET .
16	V836659524	1	COVER .
17	V528801380	2	HEX CAP SCREW .
18	V836136337	1	SPACER PIECE .

700 TRACTOR (600-900 SERIES)  
SPIMG-004-21-28



**<https://www.ebooklibonline.com>**

Hello dear friend!

Thank you very much for reading.

Enter the link into your browser.

The full manual is available for immediate download.

**<https://www.ebooklibonline.com>**