

Page Title	Page Number
100 - SPANNER	101-01-1582
100 - TOOLS BOX - SUPER NARROW	101-02-1583
100 - TOOLS	101-03-1584
100 - PROTECTOR	101-04-1585
100 - GREASER	101-05-1586
100 - ADHESIVES (SPANISH)	101-06E-1559
100 - ADHESIVES (ENGLISH)	101-06I-1561
100 - ADHESIVES (PORTUGUESE)	101-06-1556
100 - ADHESIVES (SPANISH)	101-07E-1560
100 - ADHESIVES (ENGLISH)	101-07I-1562
100 - ADHESIVES (PORTUGUESE)	101-07-1557
20 - CYLINDER BLOCK	21-01-1590
20 - FLYWHEEL AND GEAR RIM	21-02-1604
20 - CYLINDER HEAD	21-03-1595
20 - VALVE MECHANISM	21-04-1593
20 - CRANKSHAFT MECHANISM	21-05-1591
20 - GEAR HOUSING	21-06-1592
20 - ROCKER	21-07-1596
20 - SUMP	21-08-1594
20 - COVER HEAD	21-09-1597
20 - FIXATION ENGINE	21-10-1589
20 - BEARING	21-11-1599
20 - EXHAUST MANIFOLD	21-12-1598
20 - SHORT ENGINE	21-13-1588
20 - ENGINE INSTALLATION	21-14-1587
20 - MUFFLER	21-15-1607
20 - INJECTION PUMP	22-01-1601
20 - OIL FILTER	22-02-1602
20 - FUEL SYSTEM ALIMENTATION	22-03-1610
20 - FUEL COVER	22-04-1611
20 - FUEL FLOWMETER	22-05-1612
20 - FUEL FILTER	22-06-1613
20 - AIR SYSTEM ADMISSION - DRY ELEMENT	22-07-1605
20 - THROTTLE	22-08-1614
20 - AIR FILTER	22-09-1606
20 - RADIATOR	23-01-1608
20 - WATER PUMP	23-02-1600
20 - GASKET KIT	28-01-1603
30 - STARTING HEATER	31-01-1627
30 - BATTERY - WET	32-01-1615
30 - ELECTRICAL SYSTEM	32-02-1551
30 - FRONT ELETRIC SYSTEM	32-02-1616
30 - ELECTRIC SYSTEM - WITHOUT TEMPERATURE INDICATOR	32-03-1619
30 - ELECTRIC SYSTEM - WITH TEMPERATURE INDICATOR	32-04-1620
30 - EMERGENCY LIGHT AND DIRECTION INDICATOR LIGHTS KIT	32-05-1564
30 - WORKING HEADLIGHT	32-06-1553
30 - HORN KIT	32-08-1554
30 - ELECTRIC SYSTEM - HARNESS	32-09-1629
30 - BRAKE LIGHT KIT	32-10-1630
30 - LIGHTING SYSTEM	39-01-1625

TABLE OF CONTENT

30 - KIT LIGHTS BRACKET	39-02-1626
40 - TRANSMISSION	41-01-1631
40 - DUAL CLUTCH - 12" - ND - 21 FURROW	41-02-1632
40 - CLUTCH - DUAL	41-03-1633
40 - CLUTCH SPLIT TORQUE - 12" - ND - 21 FURROW	41-04-1634
40 - CLUTCH SPLIT TORQUE	41-05-1635
40 - COVER AND CONTROLS	41-06-1649
40 - COVER AND CONTROLS	41-07-1650
40 - PIPE AND FILTER	41-08-1651
40 - COVER AND LEVER PTO - IPTO	41-09-1652
40 - TRANSMISSION - 8 SPEED - SLIP	42-01-1636
40 - TRANSMISSION	42-02-1637
40 - SELECTOR FORKS	42-03-1638
40 - GEAR AND SHAFT	42-04-1639
40 - KIT CARRIER	42-05-1640
40 - BRACKET AND LEVERS	44-01-1641
40 - COLLAR	44-02-1642
40 - HOUSING	44-03-1643
40 - REAR AXLE- DIFFERENTIAL LOCK PEDAL	46-01-1644
40 - INDEPENDENT POWER TAKE OFF - 540 RPM	46-02-1645
40 - INDEPENDENT POWER TAKE OFF - 540 RPM	46-03-1646
40 - GEAR TRAIN	46-04-1647
40 - INDEPENDENT POWER TAKE-OFF CLUTCH	46-05-1648
50 - BRAKE - OIL COOLED	51-01-1653
50 - BRAKE OIL COOLED	51-02-1654
50 - BRAKE DRIVE	51-03-1655
50 - BRAKE PEDALS AND CLUTCH - 4 WHEELS DRIVE	51-04-1656
50 - BRAKE PEDALS AND CLUTCH - 4 WHEELS DRIVE	51-05-1657
50 - ROD - CLUTCH	51-06-1658
50 - ROD	51-07-1659
50 - LEVER KIT	51-08-1660
50 - BRAKE PEDAL - RIGHT HAND	51-09-1661
50 - BRAKE PEDAL - LEFT HAND	51-10-1662
50 - CLUTCH - PEDAL	51-11-1663
50 - ROD - BRAKE	51-12-1664
50 - LEVER - RIGHT HAND	51-13-1665
60 - HYDROSTATIC STEERING - 2 WHEELS DRIVE	61-01-1704
60 - HYDROSTATIC STEERING - 4 WHEELS DRIVE	61-02-1705
60 - CONTAINER	61-03-1706
60 - HYDROSTATIC UNIT - 2 WHEELS DRIVE - DANFOSS	61-04-1707
60 - HYDROSTATIC UNIT - 4 WHEELS DRIVE - DANFOSS	61-05-1708
60 - HYDRAULIC CYLINDER - STEERING	61-06-1745
60 - REAR AXLE - TRANSMISSION - 2 WHEELS DRIVE	62-01-1666
60 - REAR AXLE - TRANSMISSION - 4 WHEELS DRIVE	62-02-1667
60 - REAR AXLE - TRANSMISSION	62-03-1668
60 - PROPELLER AXLE	62-04-1669
60 - HALF AXLE	62-05-1685
60 - HALF AXLE	62-06-1686
60 - HALF AXLE	62-07-1687
60 - FRONT AXLE - 2 WHEELS DRIVE	62-08-1688
60 - FRONT AXLE - 2 WHEELS DRIVE	62-09-1689
60 - FRONT AXLE - 4 WHEELS DRIVE	62-10-1690

TABLE OF CONTENT

60 - FRONT AXLE	62-11-1691
60 - REAR AXLE - 2WD	62-12-1683
60 - REAR AXLE - 4WD	62-13-1684
60 - CENTRAL BEAM	62-14-1744
60 - REAR AXLE CENTRE HOUSING - 2 WHEELS DRIVE	64-01-1670
60 - REAR AXLE CENTRE HOUSING - 4 WHEELS DRIVE	64-02-1671
60 - MIDDLE BODY - 2 WHEELS DRIVE	64-03-1672
60 - MIDDLE BODY - 4 WHEELS DRIVE	64-04-1673
60 - COVER	64-05-1674
60 - FASTENER SIDE COVER	64-06-1675
60 - SIDE DRIVE BOX - INSTALLATION	64-07-1676
60 - SIDE DRIVE BOX - CONSTITUENT PARTS	64-08-1677
60 - PINION AND DIFERENTIAL - 2 WHEELS DRIVE	64-09-1678
60 - PINION AND DIFERENTIAL - 4 WHEELS DRIVE	64-10-1679
60 - FLANGE AND PINION	64-11-1680
60 - DIFFERENTIAL	64-12-1681
60 - FLANGE AND PINION	64-13-1682
60 - DIFFERENTIAL - CARRARO - 20.14	64-14-1695
60 - FRONT AXLE - CARRARO - 20.14	64-15-1696
60 - FRONT AXLE - CARRARO - 20.14	64-16-1697
60 - FRONT AXLE - CARRARO - 20.14	64-17-1698
60 - FRONT AXLE - CARRARO	64-18-1693
60 - FRONT AXLE HOUSING - CARRARO - 20.14	64-19-1694
60 - CARDAN SHAFT	64-20-1692
60 - FRONT AXLE - ZF	64-21-1699
60 - FRONT AXLE - ZF - APL335-SIDE DRIVE	64-22-1703
60 - FRONT AXLE - ZF - APL335-SIDE DRIVE	64-23-1701
60 - FRONT AXLE - ZF - APL335-SIDE DRIVE	64-24-1702
60 - FRONT AXLE - ZF - APL335-SIDE DRIVE	64-25-1700
70 - FUEL TANK	71-01-1609
70 - WHEELS - 6.00 X 16 - 2 WHEELS DRIVE	72-01-1709
70 - WHEELS - 8.00 X 18 R1 - 4 WHEELS DRIVE	72-02-1710
70 - REAR WHEELS - 14.9 X 24 R1	72-03-1711
70 - REAR WHEELS - 12.4 X 28 R1	72-04-1712
70 - REAR WHEELS - 12.4 X 24 R1	72-05-1713
70 - REAR WHEELS - 14.9 X 24 R2	72-06-1714
70 - WHEEL AND TYRE	72-07-1715
70 - WHEEL AND TYRE - LEFT HAND	72-08-1716
70 - REAR WHEELS - 16.9 X 24 R1 8L	72-09-1717
70 - SUPPORT AND FRONT WEIGHTS	79-01-1563
70 - REAR WHEEL WEIGHTS - 1 + 1 X 40 KGF	79-03-1720
70 - REAR WEIGHTS - 2 + 2 X 40 KG	79-04-1721
70 - REAR WHEEL WEIGHTS - 1 + 1 X 52 KGF	79-05-1722
70 - REAR WHEEL WEIGHTS - 2 + 2 X 52 KGF	79-06-1723
80 - FRONT SHIELDS	81-01-1552
80 - STEERING FRAME	81-02-1725
80 - FOOTSTEP - WITHOUT SAFETY FRAME	81-03-1726
80 - FOOTSTEPS - 2WD - WITH SAFETY FRAME	81-04-1727
80 - FOOTSTEPS - 4WD	81-05-1728
80 - REAR MUDGUARD	81-06-1566
80 - MUDGUARD SUPPORT 4RM	81-08-1567

<https://www.ebooklibonline.com>

Hello dear friend!

Thank you very much for reading.

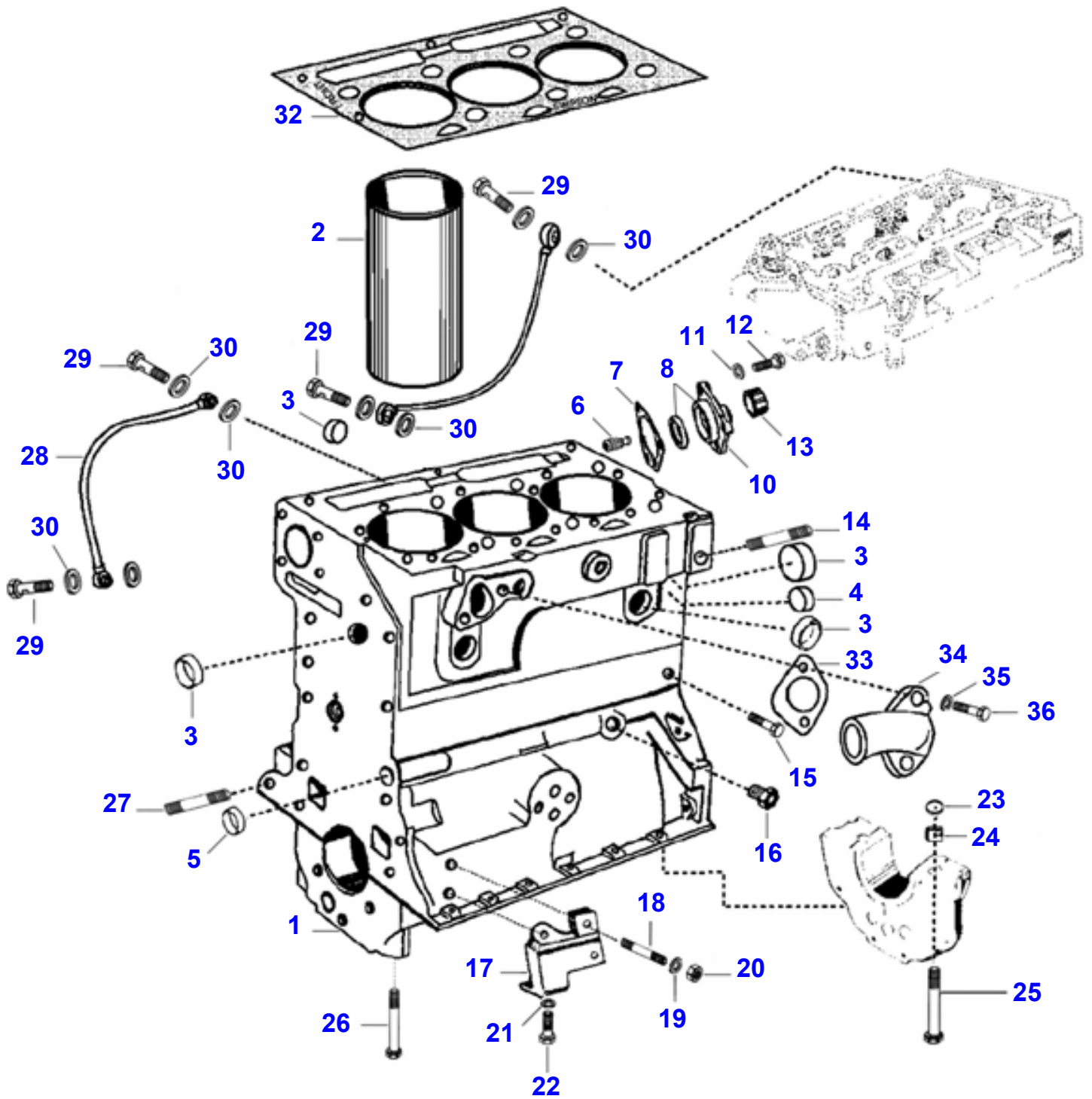
Enter the link into your browser.

The full manual is available for immediate download.

<https://www.ebooklibonline.com>

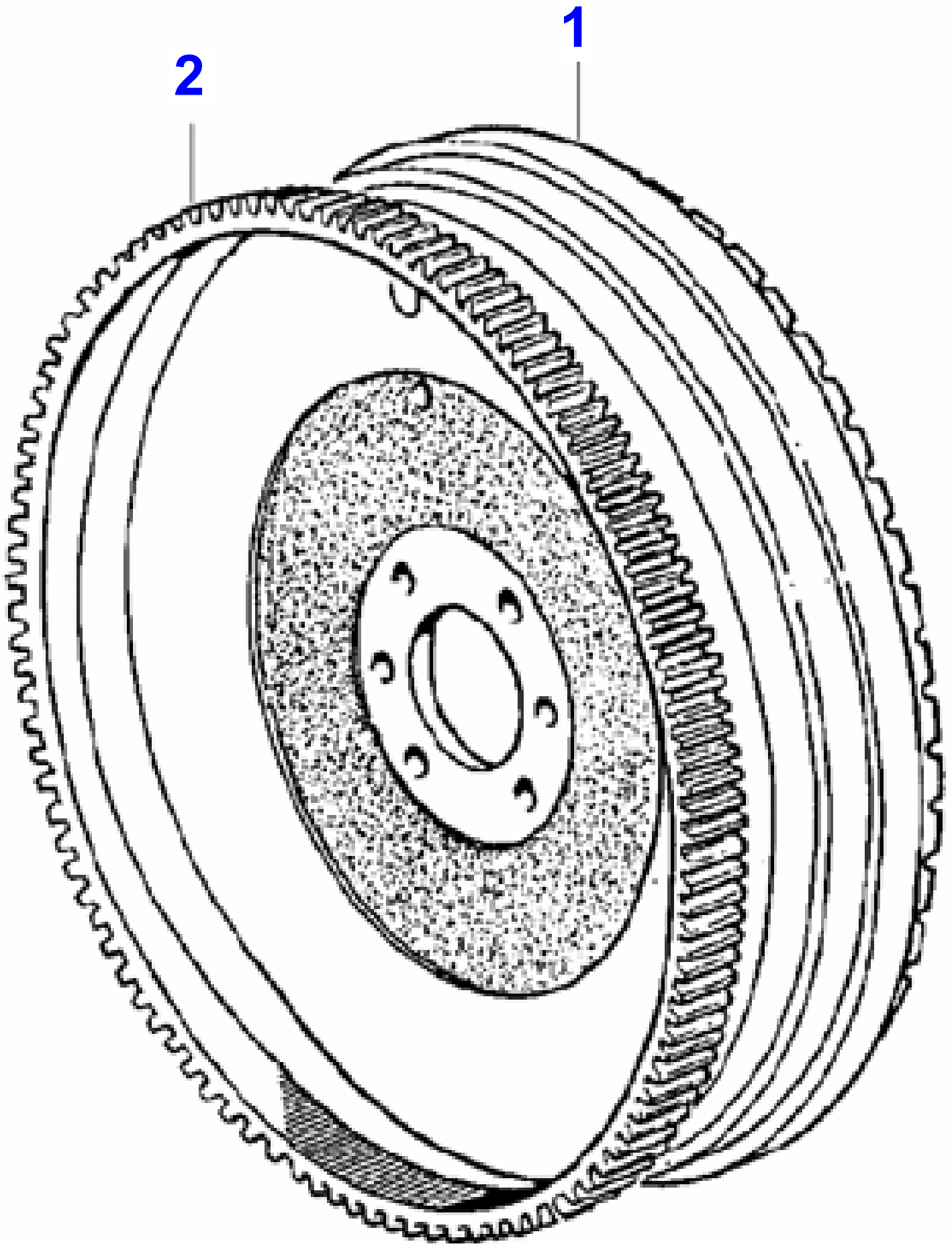
TABLE OF CONTENT

80 - SEAT - NARROW	81-09-1732
80 - SEAT - SEAT BELT	81-10-1733
80 - SAFETY FRAME	81-11-1734
80 - CANOPY	81-12-1735
90 - HYDRAULIC ARMS	91-01-1737
90 - LEVELLING ARM	91-02-1738
90 - LINKS	91-03-1739
90 - LINKS	91-04-1740
90 - STABILISER - STANDARD	91-05-1741
90 - STABILISER	91-06-1742
90 - HYDRAULIC PUMP AUXILIARY	91-07-1743
90 - HYDRAULIC LIFT COVER - STANDARD	91-08-1746
90 - HYDRAULIC LIFT COVER	91-09-1747
90 - HYDRAULIC LIFT COVER	91-10-1748
90 - HYDRAULIC LIFT - DEPTH QUADRANT	91-11-1749
90 - HYDRAULIC LIFT - DEPTH QUADRANT	91-12-1750
90 - HYDRAULIC LIFT COVER - LINK	91-13-1751
90 - HYDRAULIC LIFT - HINGE SUPPORT	91-14-1752
90 - HYDRAULIC LIFT - QUADRANT SUPPORT	91-15-1753
90 - HYDRAULIC LIFT COVER	91-16-1754
90 - HYDRAULIC CYLINDER	91-17-1755
90 - HYDRAULIC LIFT PUMP - ISYP - WITH IPTO	91-18-1756
90 - HYDRAULIC PUMP - COLLECTOR AND GLOVE	91-19-1757
90 - HYDRAULIC PUMP	91-20-1758
90 - BODY	91-21-1759
90 - HYDRAULIC LIFT PUMP - STRAINER UNIT	91-22-1760
90 - HYDRAULIC PUMP - OSCILLATOR VALVE	91-23-1761
90 - DRAWBAR	99-01-1736
90 - REMOTE CONTROL - 1 BODDY	99-02-1762
90 - REMOTE CONTROL - 1 BODDY	99-03-1763
90 - COUPLER	99-04-1764
90 - DIVIDING VALVE	99-05-1765
90 - DIVIDING VALVE - ALBARUS	99-06-1766
90 - DIVIDING VALVE - HIDROVER	99-07-1767



20 - CYLINDER BLOCK

Item	Part Number	Qty	Description
1	V84545900	1	Cylinder block
2	V84545000	3	Liner
3	V85311900	5	Ring Alt. 85123500
4	V85311800	1	Ring
5	V85322200	1	Bushing
6	V84545100	1	Pin
7	V85308200	1	Gasket
8	V85318500	1	Washer
9	V84545200	1	Seal
10	V85318200	1	Cover
11	V85312700	3	Washer
12	V85316600	2	Screw
	V85316500	1	Screw
13	V85314800	1	Cap
14	V85306400	1	Stud bolt
15	V85314600	1	Screw
16	V85309200	1	Adapter
17	V85310400	1	Bracket
18	V85317700	2	Stud bolt
19	V85312800	2	Washer
20	V85316300	1	Nut
21	V85312900	2	Washer
22	V85317100	1	Screw
23	V85309300	2	O-ring
24	V85310100	2	Bushing
25	V85310200	2	Screw
26	V85310300	6	Screw
27	V85317600	1	Stud bolt
28	V84545300	1	Hose
29	V84545400	4	Banjo bolt
30	V84545500	8	Washer
31	V84545600	1	Hose
32	V84545700	1	Gasket
33	V85308300	1	Gasket
34	V85316000	1	Neck
35	V85313000	2	Washer
36	V85316600	2	Screw



Valtra

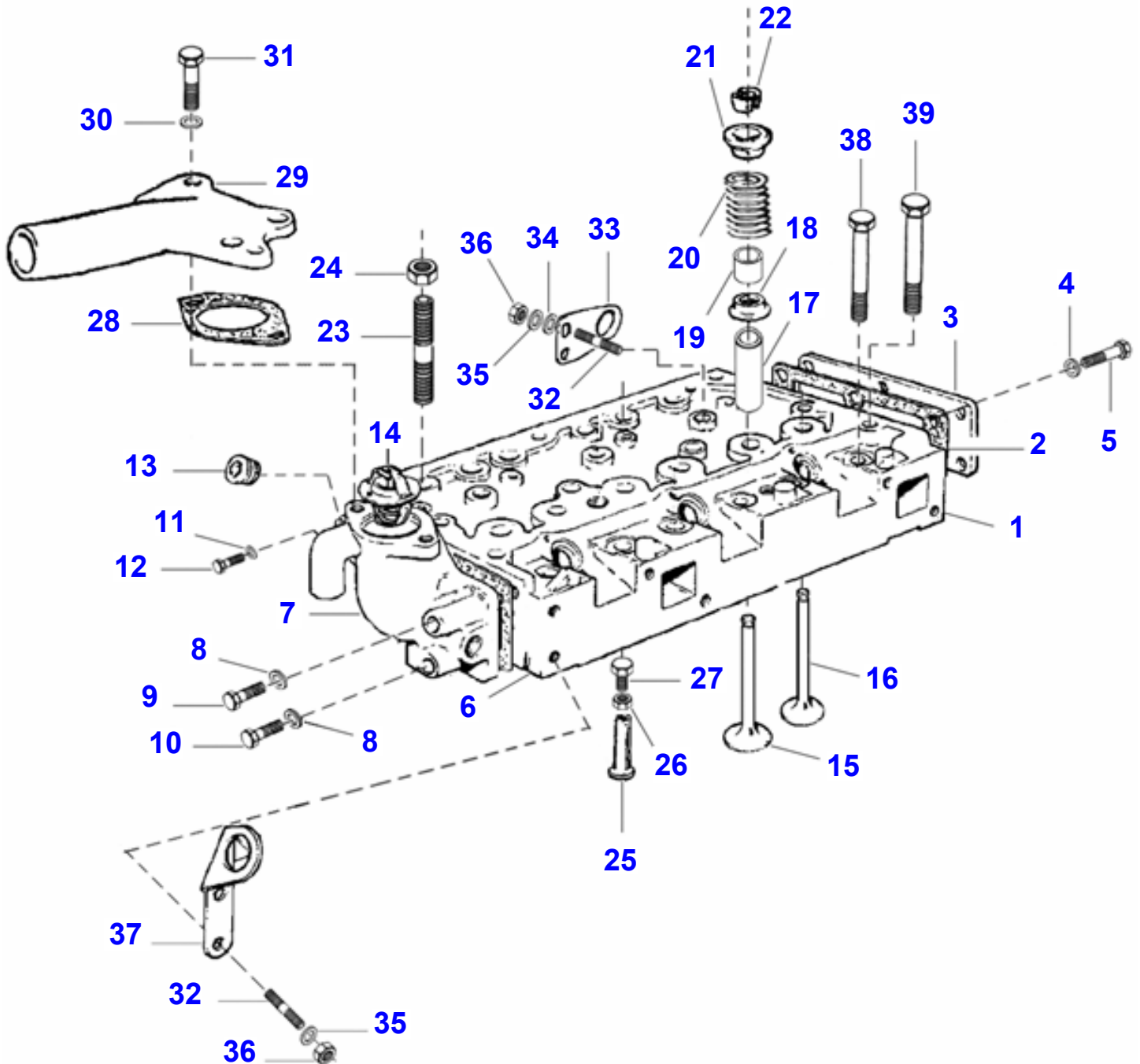
585 TRACTOR (BRAZIL)

VB585

20 - FLYWHEEL AND GEAR RIM

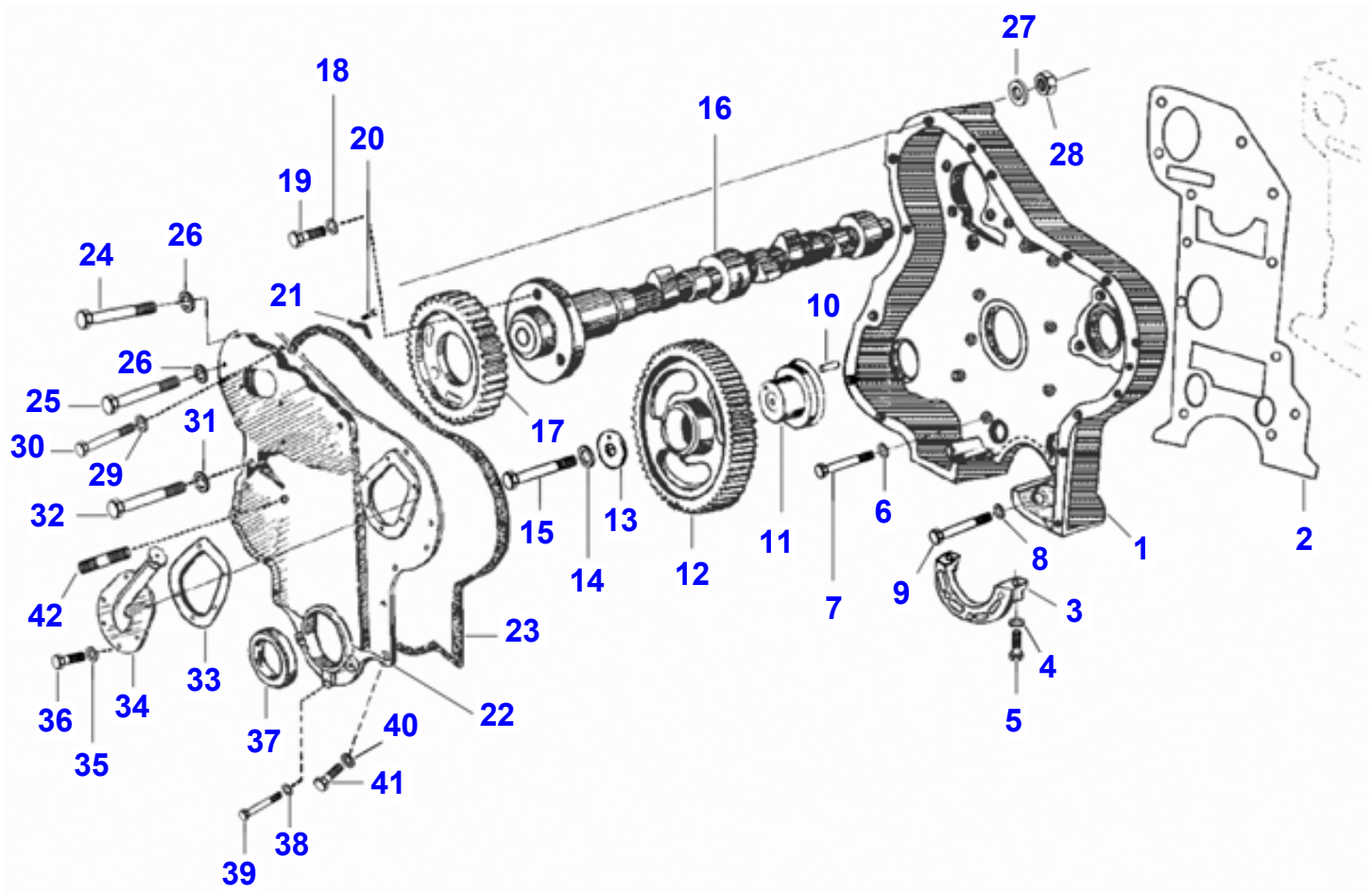
Page21-02-1604

Item	Part Number	Qty	Description
1	V84406600	1	Flywheel
2	V84406400	1	Gear rim



20 - CYLINDER HEAD

Item	Part Number	Qty	Description
1	V84549400	1	Head
2	V85308500	1	Gasket
3	V85313400	1	Cover
4	V85312700	6	Washer
5	V85316600	6	Screw M8 x 1.25
6	V85308600	1	Gasket
7	V85307100	1	Housing
8	V85318100	2	Washer
9	V85321100	1	Screw
10	V85316900	1	Screw
11	V85318100	3	Washer
12	V85316800	3	Bolt m10 x 1.5 M10 x 1.5
13	V85314000	1	Plug
14	V84549500	1	Thermostat
15	V84549600	3	Valve
16	V84549700	3	Valve
17	V84549800	6	Guide
18	V85315100	6	Washer
19	V84549900	6	Seal
20	V84550000	6	Spring
21	V84550100	6	Boot
22	V84550200	6	Ring
23	V85307400	3	Stud bolt
24	V84547200	3	Nut
25	V84550300	6	Pin
26	V85311500	6	Nut Alt. 85123400 (kit)
27	V84550400	6	Bolt Alt. 85123400 (kit)
28	V85308100	1	Gasket
29	V85307500	1	Connection
30	V85318100	2	Washer
31	V85316800	2	Bolt m10 x 1.5 M10 x 1.5
32	V85321500	4	Stud bolt m10 x 1.5 M10 x 1.5
33	V85318300	1	Bracket
34	V85312500	2	Washer
35	V85318100	4	Washer
36	V85319500	4	Nut m10 x 1.25 M10 x 1.25
37	V85318400	1	Bracket
38	V85307300	6	Screw
39	V85307200	9	Screw

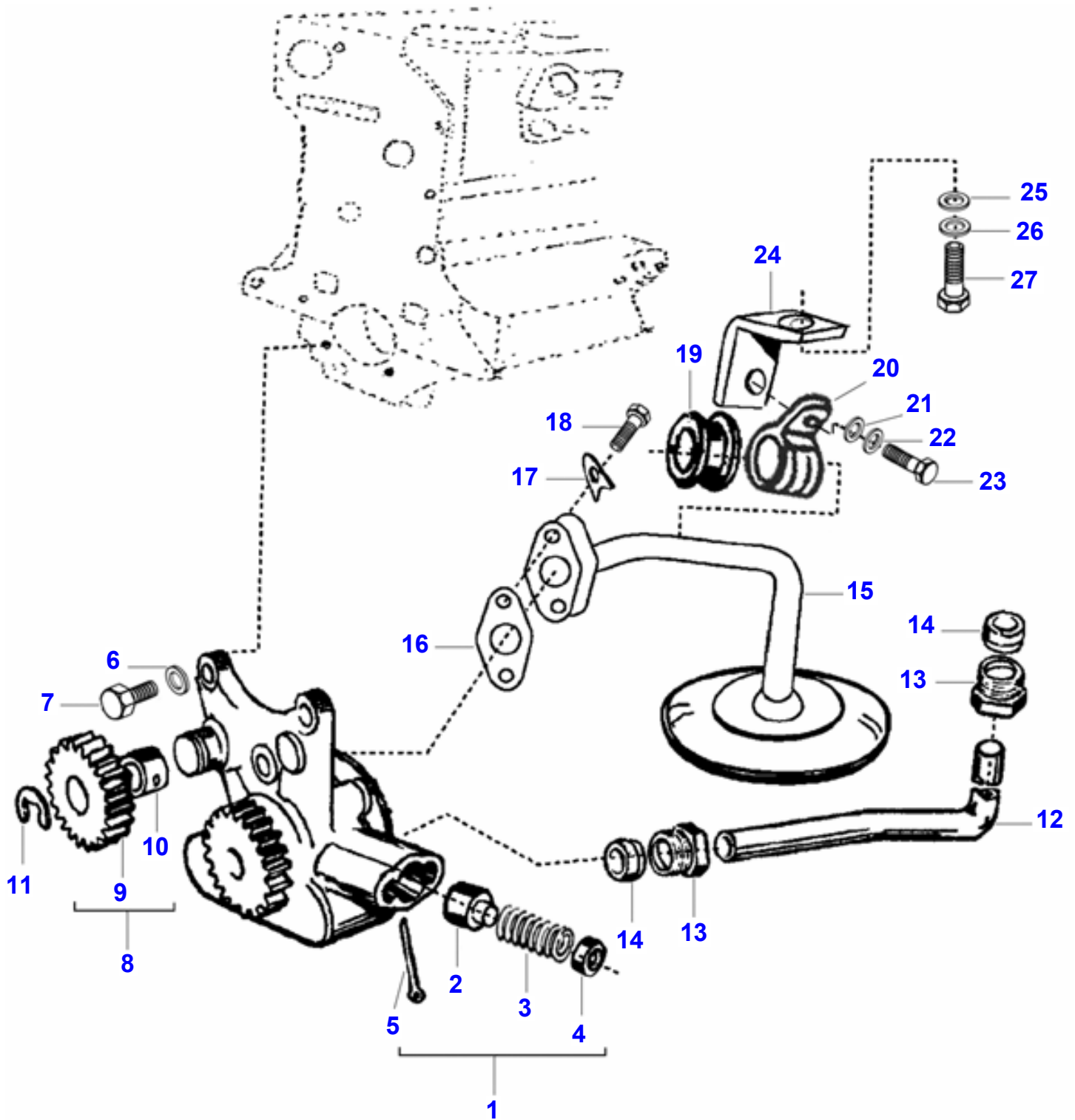


20 - VALVE MECHANISM

Item	Part Number	Qty	Description
1	V85309800	1	Cover
2	V84548000	1	Gasket
3	V84548100	1	Bearing
4	V85313900	2	Washer
5	V85320500	2	Bolt m8 x 1.25 M8 x 1.25
6	V85312700	12	Washer
7	V85317000	12	Screw
8	V85312700	2	Washer
9	V85320400	2	Screw
10	V85310000	1	Pin
11	V85313700	1	Flange
12	V84548200	1	Gear
13	V85313500	1	Shim
14	V85309100	1	Washer
15	V85316700	1	Screw
16	V84548300	1	Shaft
17	V84548400	1	Gear
18	V85312700	3	Washer
19	V85316600	3	Screw
20	V85312100	1	Screw
21	V85307600	1	Lock
22	V85319000	1	Cover
23	V84548500	1	Gasket
24	V85317200	2	Screw
25	V85320200	1	Screw
26	V85310700	3	Washer
27	V85312700	3	Washer
28	V85319600	3	Nut
29	V85312700	2	Washer
30	V85320100	2	Screw
31	V85318100	2	Washer
32	V85320600	2	Bolt m10 x 1.50 M10 x 1.50
33	V85308000	1	Gasket
34	V85318800	1	Flange
35	V85312600	6	Washer
36	V85320800	6	Bolt m6 x 1 M6 x 1
37	V84548600	1	Seal
38	V85312700	3	Washer
39	V85320300	3	Screw
40	V85312600	8	Washer
41	V85320000	9	Screw
42	V85321900	1	Stud bolt
43	V85306500	1	Pin

20 - CRANKSHAFT MECHANISM

Item	Part Number	Qty	Description
1	V84545800	1	Crankshaft
2	V85309400	3	Counterweight
3	V85309500	4	Screw
4	V85309600	2	Lock ring
5	V85309700	2	Cleat
6	V84546000	1	Key
7	V84546100	1	Gear crankshaft
8	V85322300	1	Washer
9	V84546200	1	Pulley
10	V85314900	1	Washer
11	V85320900	1	Screw
12	V84546300	1	Big end bearing std
	V84546400	1	Big end bearing 010 0,010"
	V84546500	1	Big end bearing 020 0,020"
	V84546600	1	Big end bearing 030 0,030"
13	V84546700	2	Shim std
	V84546800	2	Shim .007 0,007"
14	V84546700	2	Shim std STD, Alt. 84546700 (kit)
	V84546800	2	Shim .007 0,007", Alt. 84546800 (kit)
15	V84546900	3	Kit conrod
16	V84547000	3	Bush Alt. 85123800
17	V84547100	6	Bolt
18	V84547200	6	Nut
19	V84547300	6	Bush assy std Std
	V84547400	6	Bush assy 010 mm 0,010"
	V84547500	6	Bush assy 020 mm 0,020"
	V84547600	6	Bush assy 030 mm 0,030"
20	V85306600	3	Kit piston
21	V84547700	3	Kit piston
22	V84547800	3	Ring
23	V84550700	2	Circlip





Suggest:

For more complete manuals. Please go to the home page.

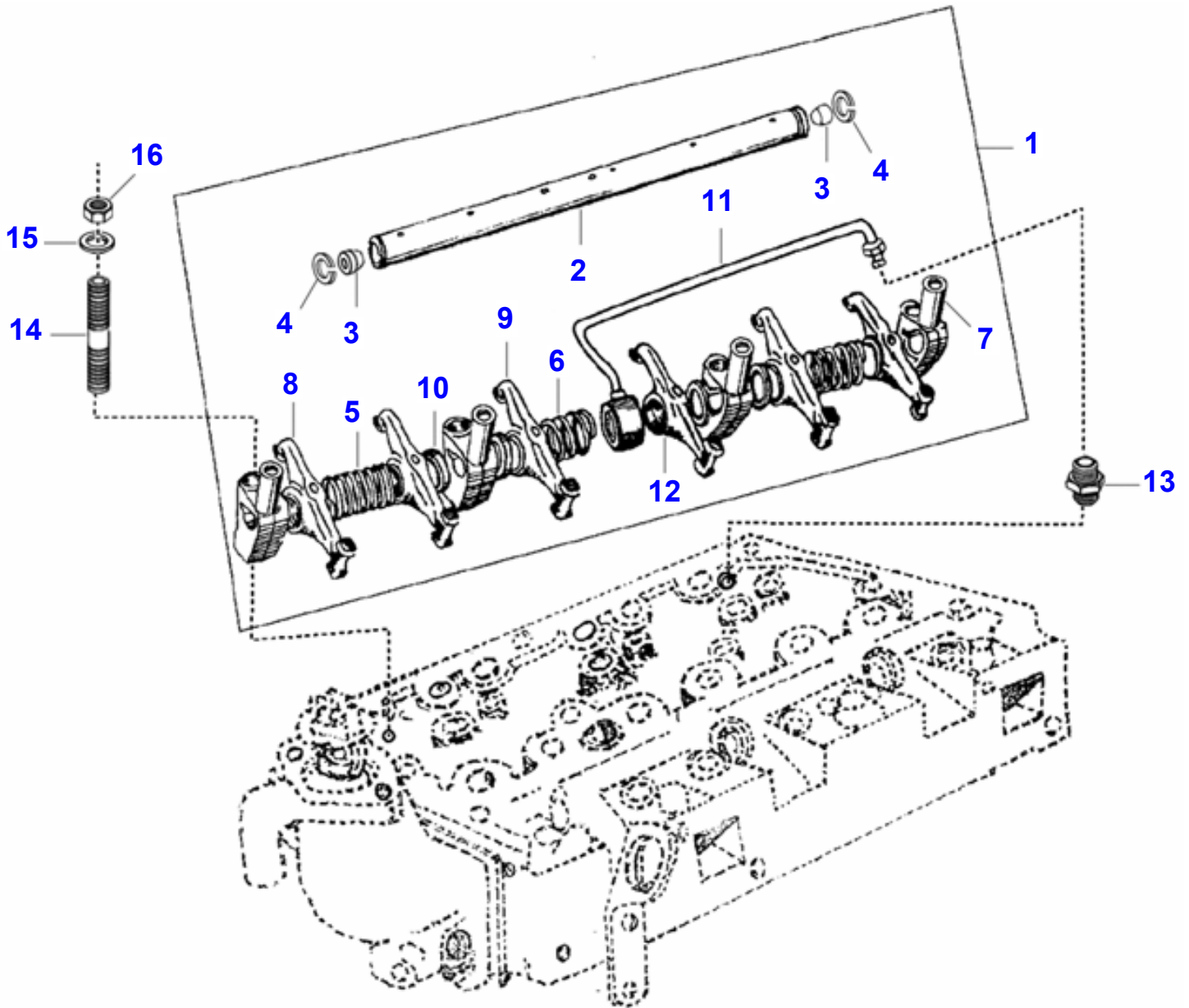
<https://www.ebooklibonline.com>

If the above button click is invalid. Please download this document first, and then click the above link to download the complete manual.

Thank you so much for reading

20 - GEAR HOUSING

Item	Part Number	Qty	Description
1	V84547900	1	Parts pack
2	V85314700	1	Shaft
3	V85314400	1	Spring
4	V85315000	1	Shim
5	V85311600	1	Cotter pin
6	V85312700	3	Washer
7	V85316600	3	Screw M8 x 1.25
8	V85308700	1	Kit gear
9	V85314300	1	Gear
10	V85310600	1	Bushing
11	V85308800	1	Lock ring
12	V85315300	1	Pipe
13	V85319700	2	Adapter
14	V85311300	2	Connection
15	V85318900	1	Pipe
16	V85311200	1	Gasket
17	V85313300	2	Washer
18	V85320100	2	Screw
19	V85315200	1	Bushing
20	V85315600	1	Clamp
21	V85312300	1	Washer
22	V85312600	1	Washer
23	V85320800	1	Bolt m6 x 1 M6 x 1
24	V85318600	1	Bracket
25	V85312300	1	Washer
26	V85312600	1	Washer
27	V85320800	1	Bolt m6 x 1 M6 x 1



<https://www.ebooklibonline.com>

Hello dear friend!

Thank you very much for reading.

Enter the link into your browser.

The full manual is available for immediate download.

<https://www.ebooklibonline.com>