

**O P E R A T O R ' S M A N U A L**

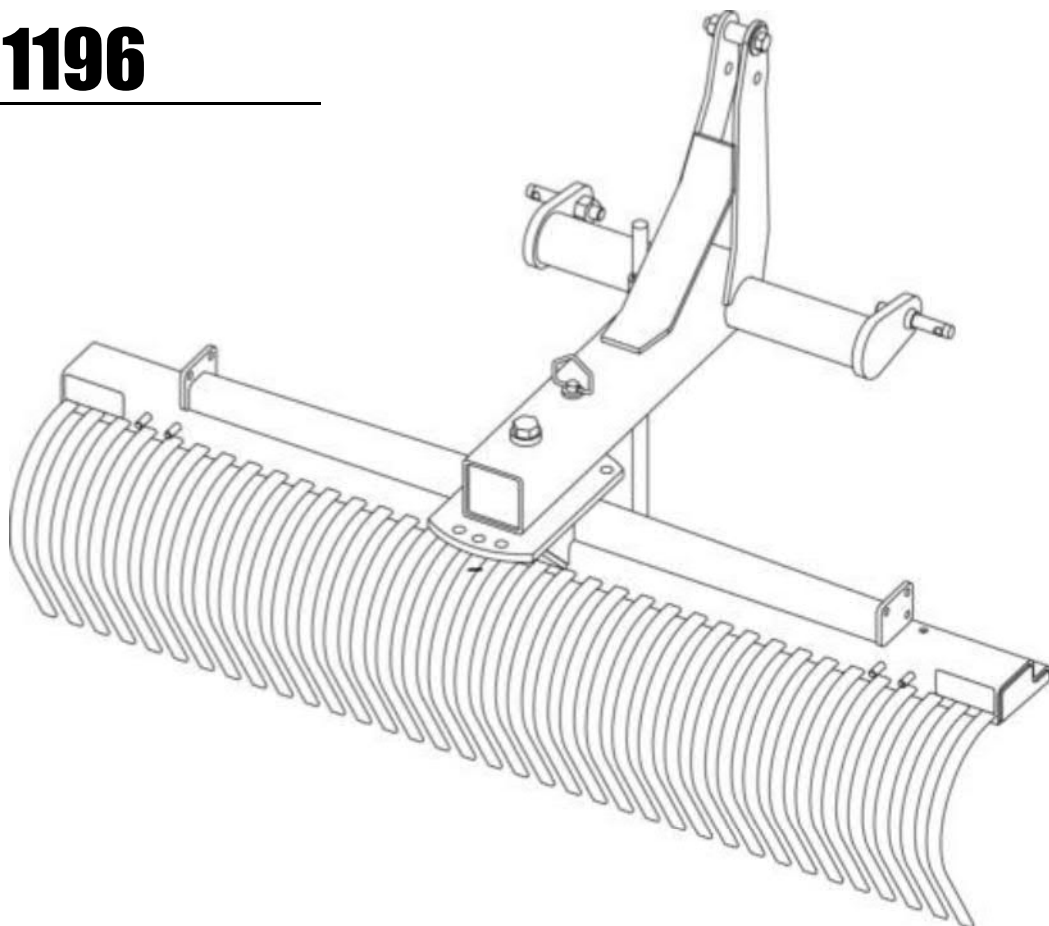
# **LANDSCAPE RAKES**

**LR1072**

**LR1172**

**LR1184**

**LR1196**



**FRONTIER**  
EQUIPMENT™



**Suggest:**

**For more complete manuals. Please go to the home page.**

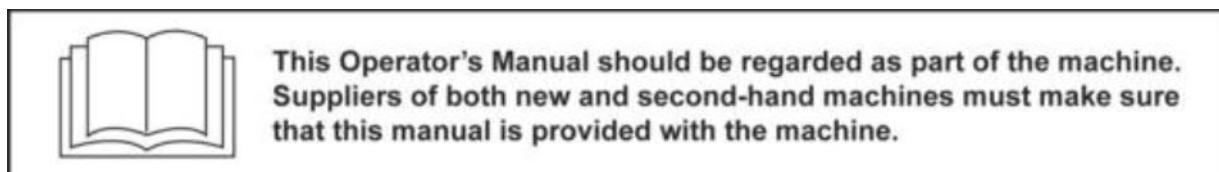
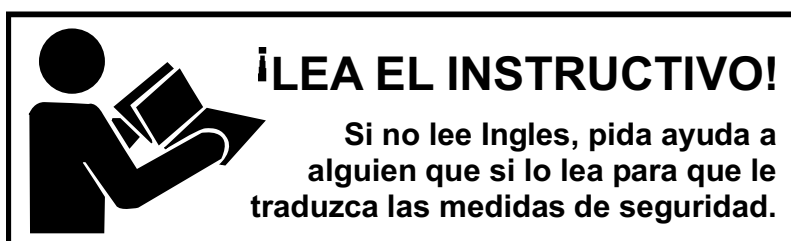
**<https://www.ebooklibonline.com>**

**If the above button click is invalid. Please download this document first, and then click the above link to download the complete manual.**

**Thank you so much for reading**

# TABLE OF CONTENTS

INTRODUCTION.....	2
SPECIFICATIONS.....	4
GENERAL INFORMATION.....	4
SAFETY RULES.....	5
SAFETY DECALS.....	7
OPERATION.....	9
MAINTENANCE.....	11
ASSEMBLY INSTRUCTIONS.....	13
DEALER CHECK LISTS.....	14
PARTS LISTS.....	15
BOLT TORQUE CHART.....	18
BOLT SIZE CHART & ABBREVIATIONS.....	19



**<https://www.ebooklibonline.com>**

Hello dear friend!

Thank you very much for reading.

Enter the link into your browser.

The full manual is available for immediate download.

**<https://www.ebooklibonline.com>**