

O P E R A T O R ' S M A N U A L

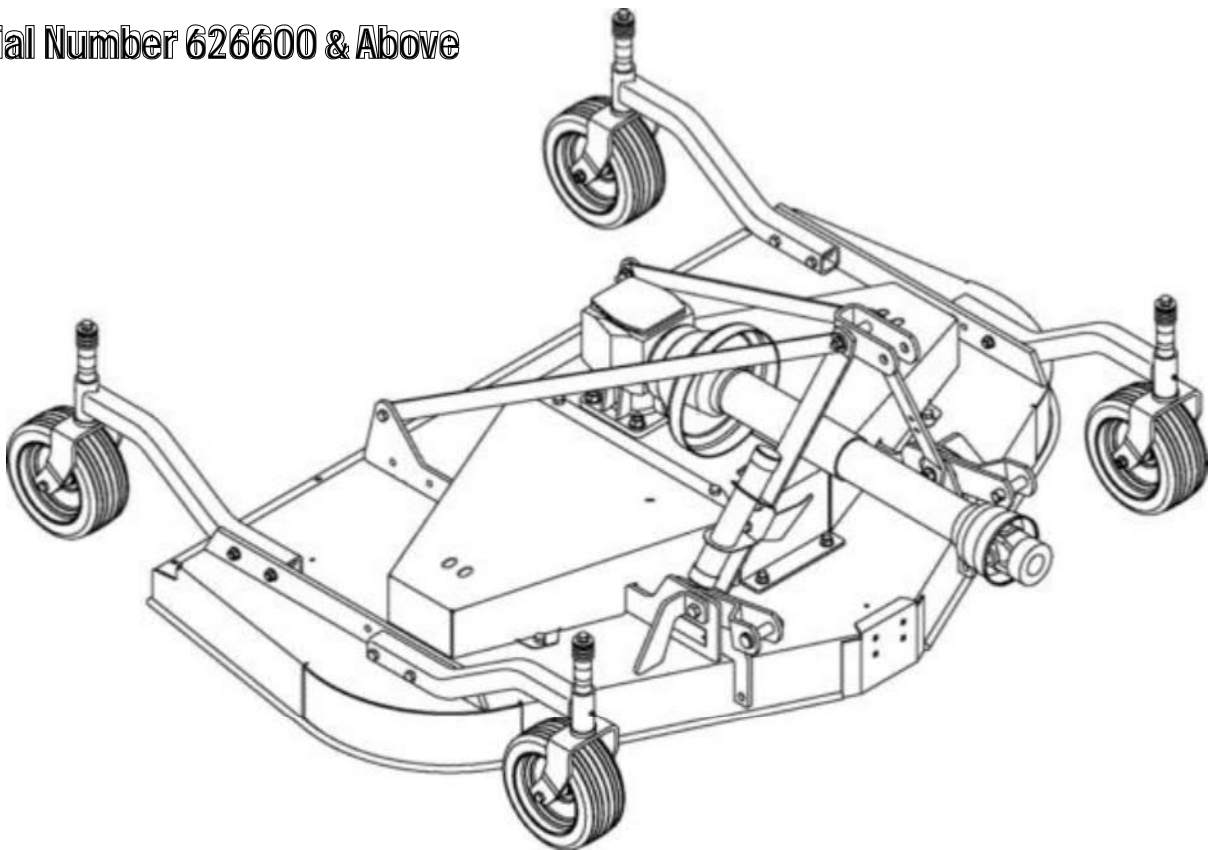
GROOMING MOWERS

GM1060R

GM1072R

GM1084R

Serial Number 626600 & Above



FRONTIER
EQUIPMENT™



Suggest:

For more complete manuals. Please go to the home page.

<https://www.ebooklibonline.com>

If the above button click is invalid. Please download this document first, and then click the above link to download the complete manual.

Thank you so much for reading

TABLE OF CONTENTS

INTRODUCTION	2
SPECIFICATIONS	4
GENERAL INFORMATION	4
SAFETY RULES	5-7
SAFETY DECALS	8-9
OPERATION	10
OWNER SERVICE	16
TROUBLESHOOTING	20
DEALER SERVICE	22
ASSEMBLY	29
DEALER CHECK LISTS	33
PARTS INDEX	35
BOLT TORQUE CHART	44
BOLT SIZE CHART & ABBREVIATIONS	45
INDEX	46
PRODUCT WARRANTY	48
REPLACEMENT PARTS WARRANTY	49

<https://www.ebooklibonline.com>

Hello dear friend!

Thank you very much for reading.

Enter the link into your browser.

The full manual is available for immediate download.

<https://www.ebooklibonline.com>