

O P E R A T O R ' S M A N U A L

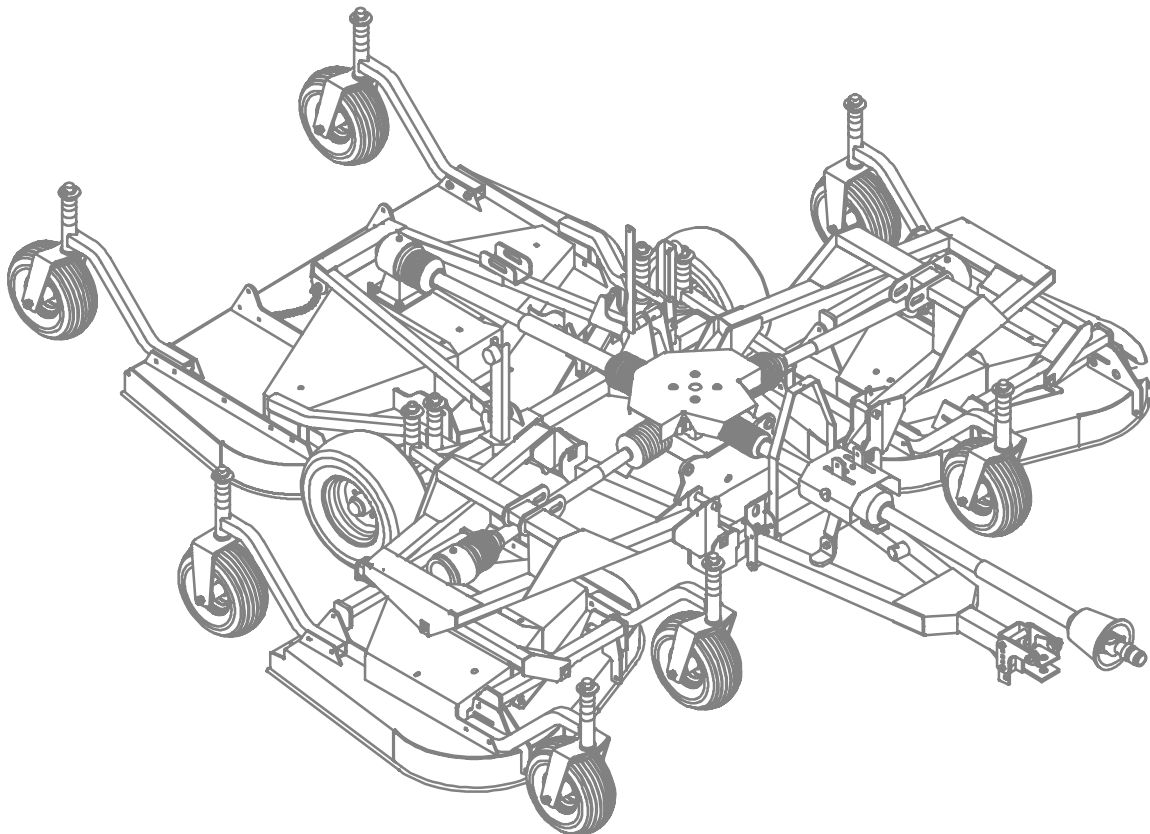
GROOMING MOWERS

FM1012R

FM1015R

FM1017R

15-Digit Serial Numbers prior to WDFM10XXR239170
Revision Effective 2/2006



FRONTIER
EQUIPMENT™



Suggest:

For more complete manuals. Please go to the home page.

<https://www.ebooklibonline.com>

If the above button click is invalid. Please download this document first, and then click the above link to download the complete manual.

Thank you so much for reading

TABLE OF CONTENTS

| | |
|----------------------------------|-------------------|
| INTRODUCTION | ii |
| SPECIFICATIONS | 1 |
| GENERAL INFORMATION | 2 |
| SAFETY RULES | 3-6 |
| SAFETY DECALS | 7-10 |
| BOLT TORQUE CHART | 11 |
| BOLT SIZE CHART | 12 |
| OPERATION | 13 |
| OWNER SERVICE | 18 |
| DEALER SERVICE | 23 |
| TROUBLE SHOOTING | 30-31 |
| ASSEMBLY INSTRUCTIONS | 32 |
| INDEX TO PARTS LISTS | 35 |
| INDEX | 55 |
| REPLACEMENT PARTS WARRANTY | 56 |
| PRODUCT WARRANTY | Inside Back Cover |

SPECIFICATIONS

| | <u>FM1012R</u> | <u>FM1015R</u> | <u>FM1017R</u> |
|---|---|-----------------------|-----------------------|
| Cutting Width | 12' | 15' | 17' |
| Cutting Height Range | 1.0" - 5.0" | 1.0" - 5.0" | 1.0" - 5.0" |
| Shipping Weight (Approximate) | 2,900 lbs. | 3,200 lbs. | 3,340 lbs. |
| Blade Speed (Feet per minute - Approximate) | 16,950 | 16,950 | 16,950 |
| Blades Spindles | 7 | 9 | 9 |
| Number of Blades | 7 | 9 | 9 |
| Universal Drive | ---(Input: ASAE Cat 4; Wing: ASAE Cat 3)--- | | |
| Transport Wheels | 20.5 x 8.0-10 | 20.5 x 8.0-10 | 20.5 x 8.0-10 |
| Caster Wheels | 15 x 6.00-6 | 15 x 6.00-6 | 15 x 6.00-6 |
| Tractor PTO Speed RPM | 540 | 540 | 540 |
| Minimum Tractor Horsepower | 30 | 35 | 40 |

<https://www.ebooklibonline.com>

Hello dear friend!

Thank you very much for reading.

Enter the link into your browser.

The full manual is available for immediate download.

<https://www.ebooklibonline.com>