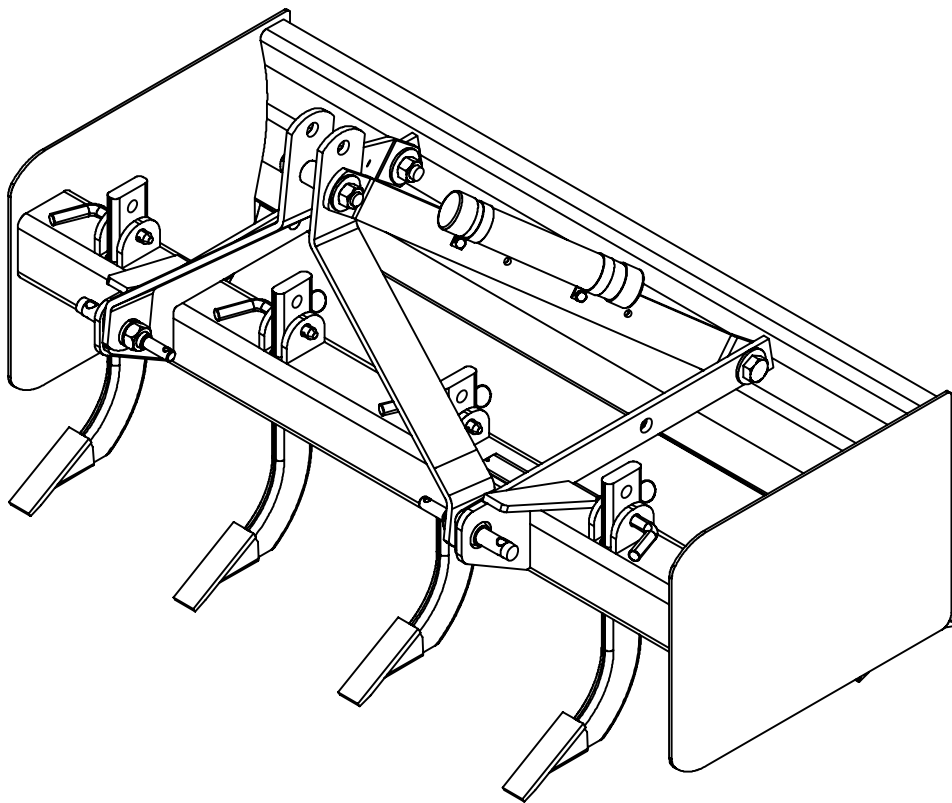


O P E R A T O R ' S M A N U A L

# BOX BLADE

BB1048L



**FRONTIER**  
EQUIPMENT™



**Suggest:**

**For more complete manuals. Please go to the home page.**

**<https://www.ebooklibonline.com>**

**If the above button click is invalid. Please download this document first, and then click the above link to download the complete manual.**

**Thank you so much for reading**

# TABLE OF CONTENTS

INTRODUCTION .....	2
SPECIFICATIONS .....	4
GENERAL INFORMATION .....	4
SAFETY RULES .....	5 - 6
SAFETY DECALS .....	7
OPERATION .....	8
OWNER SERVICE .....	11
ASSEMBLY .....	13
DEALER CHECK LISTS .....	15
PARTS LIST .....	16
BOLT TORQUE CHART .....	18
BOLT SIZE CHART & ABBREVIATIONS .....	19

---

**<https://www.ebooklibonline.com>**

Hello dear friend!

Thank you very much for reading.

Enter the link into your browser.

The full manual is available for immediate download.

**<https://www.ebooklibonline.com>**