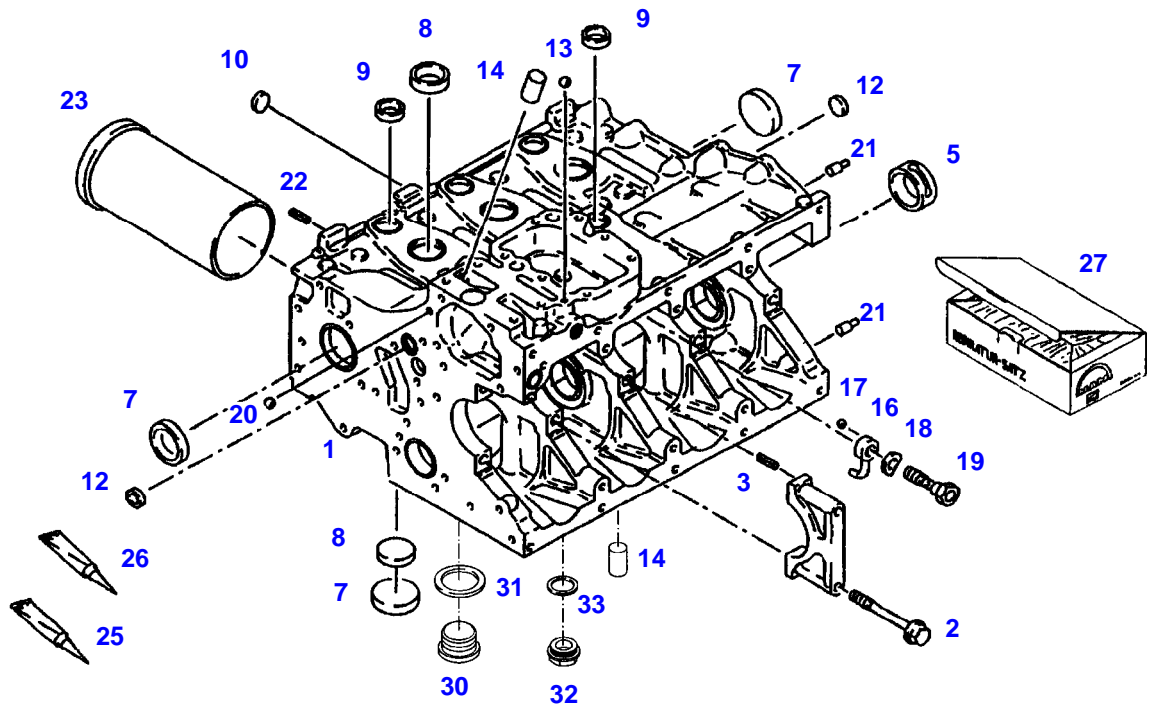


TABLE OF CONTENT

Page Number	Page Title	Page Reference
01-000-TOC	ENGINE, FUEL AND EXHAUST SYSTEM	01-000-TOC
02-000-TOC	AXLES	02-000-TOC
03-000-TOC	STEERING SYSTEM	03-000-TOC
04-000-TOC	DRIVE TRAIN SYSTEM	04-000-TOC
05-000-TOC	COMPRESSED AIR SYSTEM	05-000-TOC
06-000-TOC	HYDRAULIC SYSTEM	06-000-TOC
07-000-TOC	ELECTRICAL SYSTEM	07-000-TOC
08-000-TOC	CAB	08-000-TOC
09-000-TOC	AIR CONDITIONING AND HEATING SYSTEM	09-000-TOC
10-000-TOC	CHASSIS	10-000-TOC
11-000-TOC	WHEELS	11-000-TOC
12-000-TOC	IMPLEMENT LIFT SYSTEM FRONT	12-000-TOC
13-000-TOC	IMPLEMENT LIFT SYSTEM REAR	13-000-TOC
14-000-TOC	FRONT/REAR LOADERS	14-000-TOC
15-000-TOC	ACCESSORIES	15-000-TOC

XYLON 524 (524/00101-99999)
30984



Item	Part Number	Qty	Description Comments	Technical Specification
	72431946	1	SHORT ENGINE	
1	72311576	1	CRANKCASE ><2-14,30-33	
2	72315380	10	WASHER HEAD BOLT	
3	72313719	10	CYLINDER PIN	
5	72316153	3	BEARING CUP 55,07MM	
	72310225	3	BEARING CUP 55,10MM	
7	72417059	6	COVER 62,20MM	
	72311421	6	COVER 63,00MM	
8	72311422	7	COVER 50,20MM	
	72311423	7	COVER 51,00MM	
9	72311424	4	COVER 40,20MM	
	72311425	4	COVER 41,00MM	
10	72311426	3	COVER	
12	72311432	2	COVER	
13	72310168	1	BALL	
14	72314696	2	SEALING PLUG	
16	72313230	4	OIL SPLASH NOZZLE ><17	
17			NOT AVAILABLE IN SINGLE PARTS	
18	72317123	4	SPRING WASHER	DIN 137 B12-ZNPHR
19	72315369	4	BANJO BOLT	
20	72310168	1	BALL	
21	72313721	2	CENTERING PIN	
22	72313719	4	CYLINDER PIN	
23	72313100	4	SLEEVE BUSHING	
	72431672	4	CYLINDER LINER COLLAR OVERSIZE 0.20MM	
25	72313159	1	ADHESIVE	LOCTITE 648 50ML
26	72313158	1	SEALING COMPOUND	LOCTITE 573 250ML
27	72312356	1	SEAL KIT <>	
	72426464	16	HEX BOLT, WITH COLLAR	
30	72315445	1	PLUG	DIN 908 M30X1,5-ST
31	72315105	1	SEALING WASHER	DIN 7603 A30X36-CU
32	72315799	1	PLUG	DIN 7604 AM14X1,5-A3L
33	72315094	1	SEALING WASHER	DIN 7603 A14X18-CU

<https://www.ebooklibonline.com>

Hello dear friend!

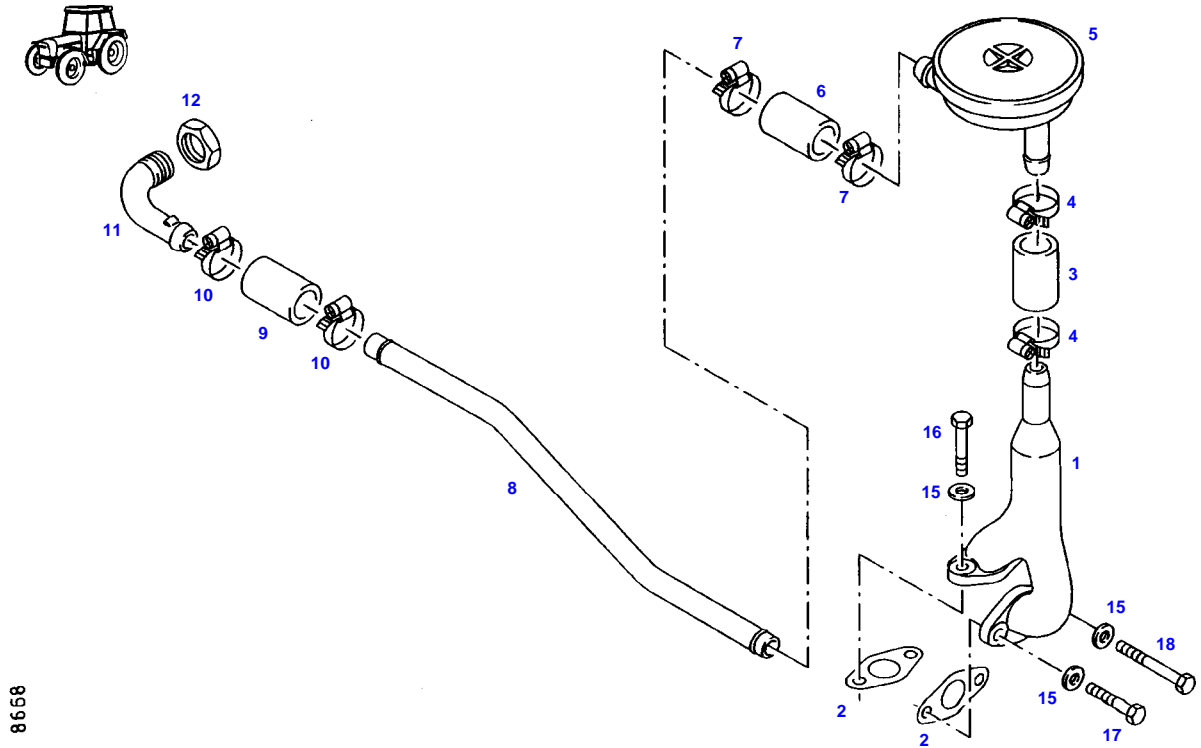
Thank you very much for reading.

Enter the link into your browser.

The full manual is available for immediate download.

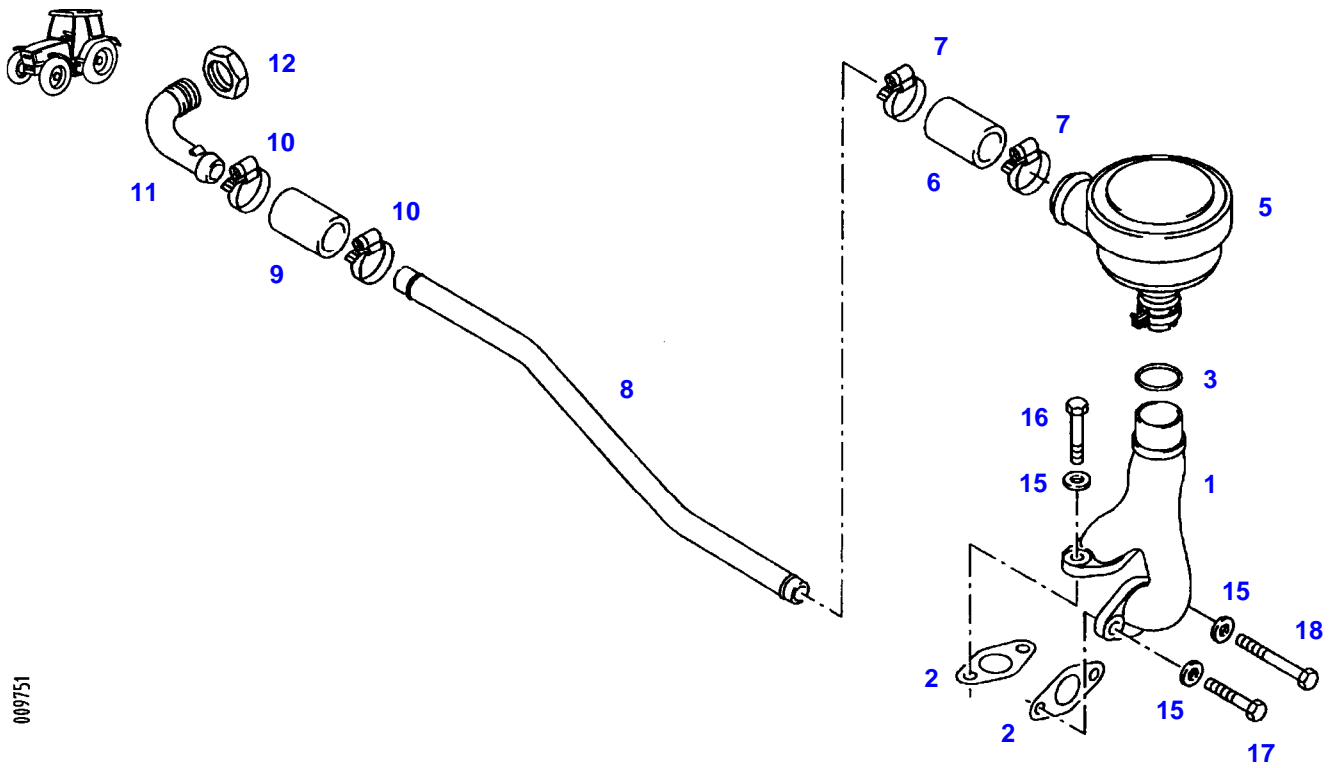
<https://www.ebooklibonline.com>

XYLON 524 (524/00101-99999)
8668



Item	Part Number	Qty	Description Comments	Technical Specification
			AERATING ENGINE NUMBER <-- 063 7500 000 --> 063 7944 999	
1	72312744	1	HOUSING <-- F524.200.210.350 <> <>	
	72313525	1	SEAL	
	72317031	1	OIL SEPARATOR VALVE	
	72313948	1	BREATHER PIPE	
2	72312239	2	SEAL	
3	72450423	1	PRESSURE HOSE 1X 70MM CUT TO LENGTH	L=120
4	72311167	2	HOSE CLIP	
5	72317038	1	CONTROL VALVE	
6	72430361	1	PRESSURE HOSE 1X 80MM CUT TO LENGTH	L=240 FWN66041-DN22-B10
7	72311168	2	HOSE CLIP	
8	72313948	1	BREATHER PIPE	
9	72430361	1	PRESSURE HOSE 1X 80MM CUT TO LENGTH	L=240 FWN66041-DN22-B10
10	72311168	2	HOSE CLIP	
11	72313939	1	PIPE BEND	
12	72313351	1	NUT	DIN74305-M26X1,5-11H-A4C
15	72311788	4	DISC	DIN 125-8,4-ST.A3L
16	72315651	2	HEXAGONAL HEAD BOLT	DIN 933 M8X22-8.8A3L
17	72315657	1	HEXAGONAL HEAD BOLT	DIN 933 M8 X 30-8.8A3L
18	72315665	1	HEXAGONAL HEAD BOLT	DIN 933 M8X45-8.8A3L

XYLON 524 (524/00101-99999)
9751



009751

Item	Part Number	Qty	Description Comments	Technical Specification
			AERATING ENGINE NUMBER <-- 063 7945 000 --> 063 9999 999 <-- 063 0001 000 --> 063 7499 999	
1	72312746	1	HOUSING	
2	72312239	2	SEAL	
3	72313525	1	SEAL	
5	72317031	1	OIL SEPARATOR VALVE	
6	72430361	1	PRESSURE HOSE	L=240 FWN66041-DN22-B10
			ENG.NO. <-- 063 7945 001 --> 063 8485 584 6360 1X 80MM CUT TO LENGTH	
	72430361	1	PRESSURE HOSE	L=240 FWN66041-DN22-B10
			ENG.NO. <-- 063 8485 584 6361 --> 063 9999 999 <-- 063 0001 000 --> 063 7499 999 1X 80MM CUT TO LENGTH	
7	72311168	2	HOSE CLIP	
			ENG.NO. <-- 063 7945 001 --> 063 8485 584 6360	
	72608303	2	CLIP	
			ENG.NO. <-- 063 8485 584 6361 --> 063 9999 999 <-- 063 0001 000 --> 063 7499 999	
8	72313948	1	BREATHER PIPE	
9	72430361	1	PRESSURE HOSE	L=240 FWN66041-DN22-B10
			ENG.NO. <-- 063 7945 001 --> 063 8485 584 6360 1X 80MM CUT TO LENGTH	
	72430361	1	PRESSURE HOSE	L=240 FWN66041-DN22-B10
			ENG.NO. <-- 063 8485 584 6361 --> 063 9999 999 <-- 063 0001 000 --> 063 7499 999 1X 80MM CUT TO LENGTH	
10	72311168	2	HOSE CLIP	
			ENG.NO. <-- 063 7945 001 --> 063 8485 584 6360	
	72608303	2	CLIP	
			ENG.NO. <-- 063 8485 584 6361 --> 063 9999 999 <-- 063 0001 000 --> 063 7499 999	
11	72313185	1	MANIFOLD PASSAGE	
12	72313351	1	NUT	DIN74305-M26X1,5-11H-A4C

Fendt

XYLON 524 (524/00101-99999)

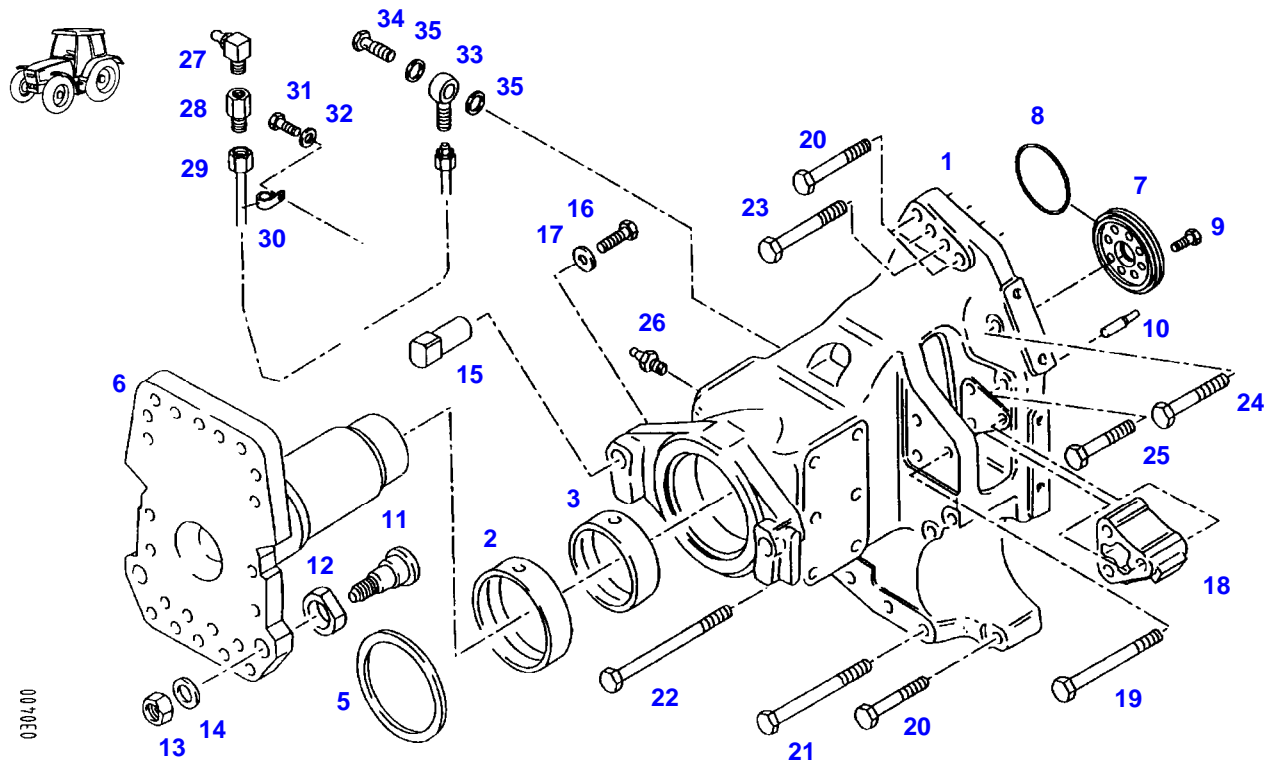
F524000

CRANKCASE

Page01-0003

Item	Part Number	Qty	Description Comments	Technical Specification
15	72311788	4	DISC	DIN 125-8,4-ST.A3L
16	72315651	2	HEXAGONAL HEAD BOLT	DIN 933 M8X22-8.8A3L
17	72315657	1	HEXAGONAL HEAD BOLT	DIN 933 M8 X 30-8.8A3L
18	72315665	1	HEXAGONAL HEAD BOLT	DIN 933 M8X45-8.8A3L

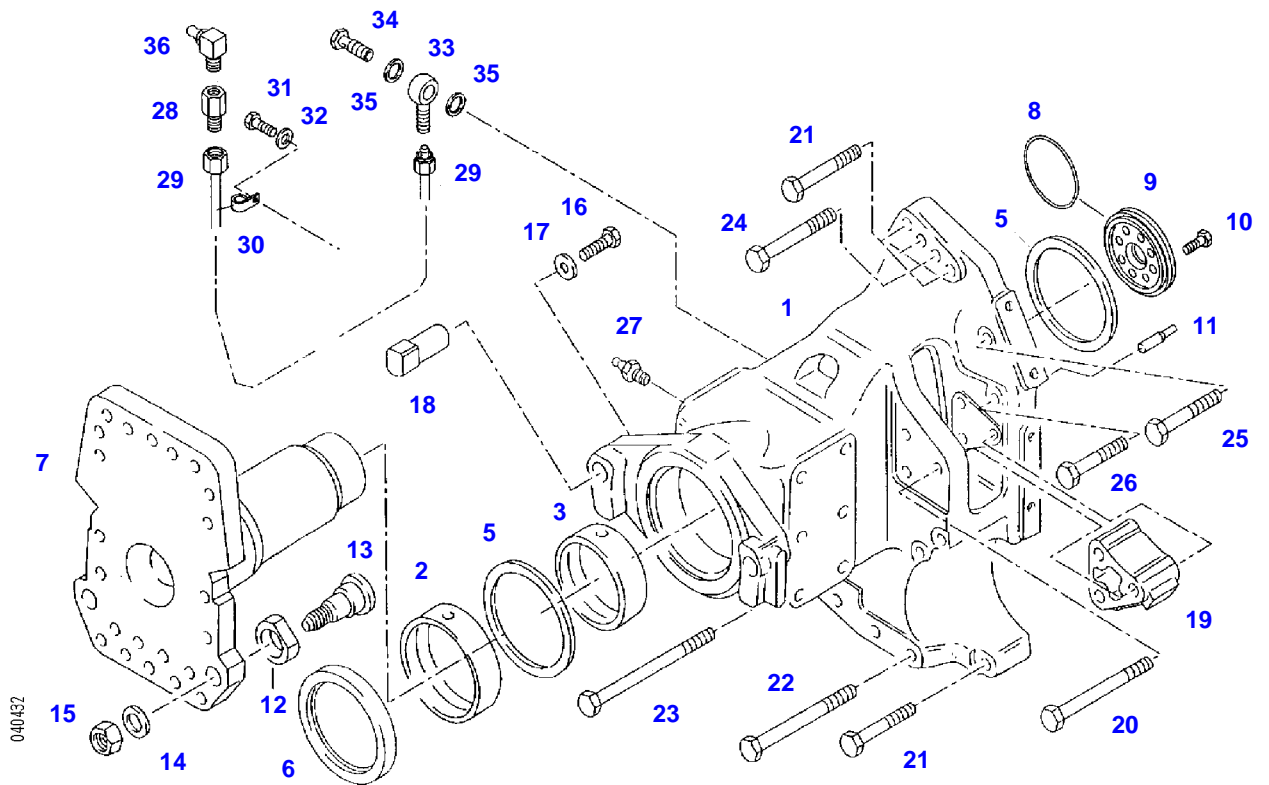
XYLON 524 (524/00101-99999)
30400



0070E0

Item	Part Number	Qty	Description Comments	Technical Specification
			ENGINE NUMBER <-- 063 7500 000 --> 063 9110 999	
1	72418337	1	REPAIR KIT JOINT CARRIER <-- F524.200.210.590 1X COMPLETE ASSEMBLY	
2	72310570	1	CARRIER	
3	72310655	1	BEARING BUSHING ENG.NO. <-- 063 7500 000 <> --> 063 8865 505 6360 <> <>	
	72418336	1	REPAIR KIT	
5	72315925	1	SHAFT SEAL	R140X160X13
6	72316945	1	TUBULAR STRUT	
7	72317113	1	THRUST WASHER <>	
	72313528	1	SEAL	
8	72313528	1	SEAL	
9	72315474	8	SOCKET HEAD BOLT	
10	72313721	2	CENTERING PIN	
11	72310400	2	ECCENTRIC BOLT	
12	72316546	2	STOP	
13	72313291	2	NUT	DIN 934 M22X1,5-8A3L
14	72311796	2	DISC	DIN 125-23-ST A3L
15	72316547	2	STOP	
16	72315691	2	HEXAGONAL HEAD BOLT	DIN 933 M10X40-8.8A3L
17	72311758	2	DISC	
18	72312115	1	INTERMEDIATE FLANGE	
19	72315594	5	HEXAGONAL HEAD BOLT	DIN 931 M16X180 GWA-10.9
20	72315584	3	HEXAGONAL HEAD BOLT	DIN 931 M16X90 GWA-10.9
21	72315592	6	HEXAGONAL HEAD BOLT	DIN 931 M16X150 GWA-10.9
22	72315595	1	HEXAGONAL HEAD BOLT	DIN 931 M16X170-10.9
23	72315587	2	HEXAGONAL HEAD BOLT	DIN 931-M16X100-10.9-
24	72315736	1	HEXAGONAL HEAD BOLT	DIN 933 M16X50 GWA-10.9
25	72315742	1	HEXAGONAL HEAD BOLT	DIN 933 M16X75 GWA-10.9
26	72313161	1	CONE-TYPE LUBRICATING NIPPLE	DIN71412-AM10X1
27	72313162	1	CONE-TYPE LUBRICATING NIPPLE	DIN71412-CM10X1
28	72414666	1	ADAPTER NIPPLE	
29	72414667	1	LUBRICATION LINE	
30	72605605	1	CLIP	
31	72315625	1	HEXAGONAL HEAD BOLT	DIN 933 M6X16-8.8
32	72311787	1	DISC	DIN 125-6,4-ST.A3L
33	72310191	1	RING FITTING	
34	72315804	1	BANJO BOLT	DIN 7643-6
35	72315089	2	SEALING WASHER	DIN 7603 A10X16-CU

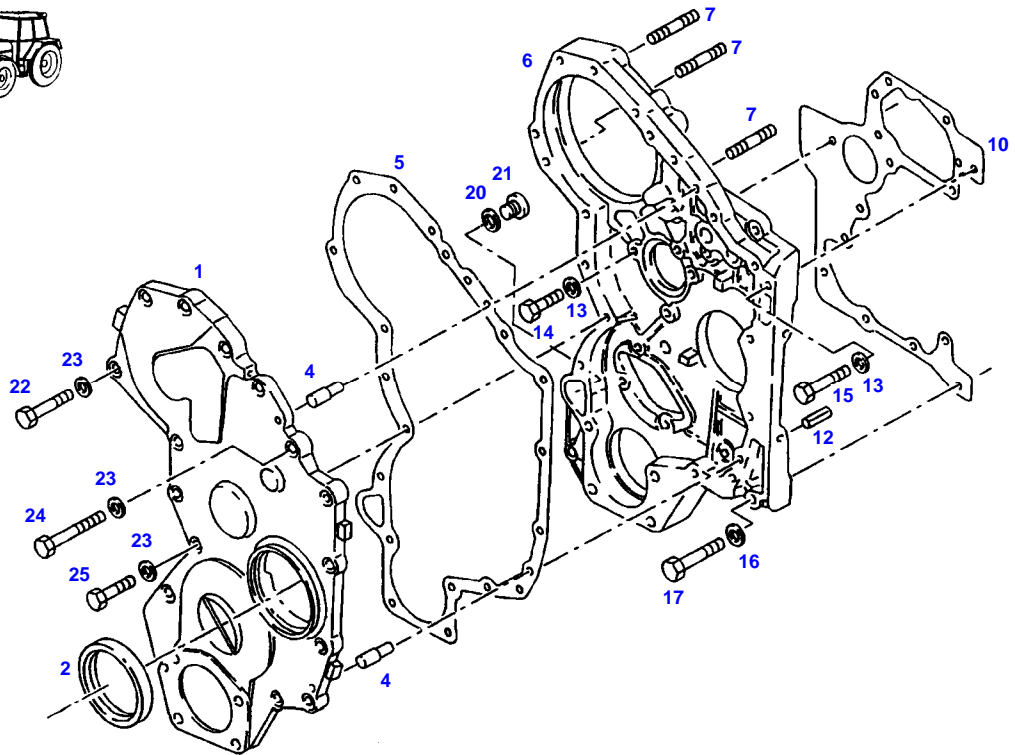
XYLON 524 (524/00101-99999)
40432



040432

Item	Part Number	Qty	Description Comments	Technical Specification
			ENGINE NUMBER <-- 063 9111 000 --> 063 9999 999 <-- 063 0001 000 --> 063 7499 999	
1	72425783	1	JOINT CARRIER ><2-9,12-19,27-36	
2	72416345	1	BEARING BUSHING	
3	72416346	1	BEARING BUSHING	
5	72416347	2	BEARING WASHER	
6	72416348	1	SHAFT SEAL	
7	72416349	1	TUBULAR STRUT	
8	72416350	1	SEAL	
9	72416351	1	THRUST WASHER <>	
	72416350	1	SEAL	
10	72315474	8	SOCKET HEAD BOLT	
11	72313721	2	CENTERING PIN	
12	72316546	2	STOP	
13	72310400	2	ECCENTRIC BOLT	
14	72311796	2	DISC	DIN 125-23-ST A3L
15	72313291	2	NUT	DIN 934 M22X1,5-8A3L
16	72315691	2	HEXAGONAL HEAD BOLT	DIN 933 M10X40-8.8A3L
17	72311758	2	DISC	
18	72416352	2	STOP	
19	72312115	1	INTERMEDIATE FLANGE	
20	72315594	5	HEXAGONAL HEAD BOLT	DIN 931 M16X180 GWA-10.9
21	72315584	3	HEXAGONAL HEAD BOLT	DIN 931 M16X90 GWA-10.9
22	72315592	6	HEXAGONAL HEAD BOLT	DIN 931 M16X150 GWA-10.9
23	72315595	1	HEXAGONAL HEAD BOLT	DIN 931 M16X170-10.9
24	72317614	2	HEXAGONAL HEAD BOLT	D931 M16X100 GWA10.9-OB3FWN102
25	72315739	1	HEXAGONAL HEAD BOLT	DIN 933 M16X60 GWA-10.9
26	72315742	1	HEXAGONAL HEAD BOLT	DIN 933 M16X75 GWA-10.9
27	72313161	1	CONE-TYPE LUBRICATING NIPPLE	DIN71412-AM10X1
28	72414666	1	ADAPTER NIPPLE	
29	72414667	1	LUBRICATION LINE ><30	
30	72605605	1	CLIP	
31	72315625	1	HEXAGONAL HEAD BOLT	DIN 933 M6X16-8.8
32	72311787	1	DISC	DIN 125-6,4-ST.A3L
33	72310191	1	RING FITTING	
34	72315804	1	BANJO BOLT	DIN 7643-6
35	72315089	2	SEALING WASHER	DIN 7603 A10X16-CU
36	72313162	1	CONE-TYPE LUBRICATING NIPPLE	DIN71412-CM10X1

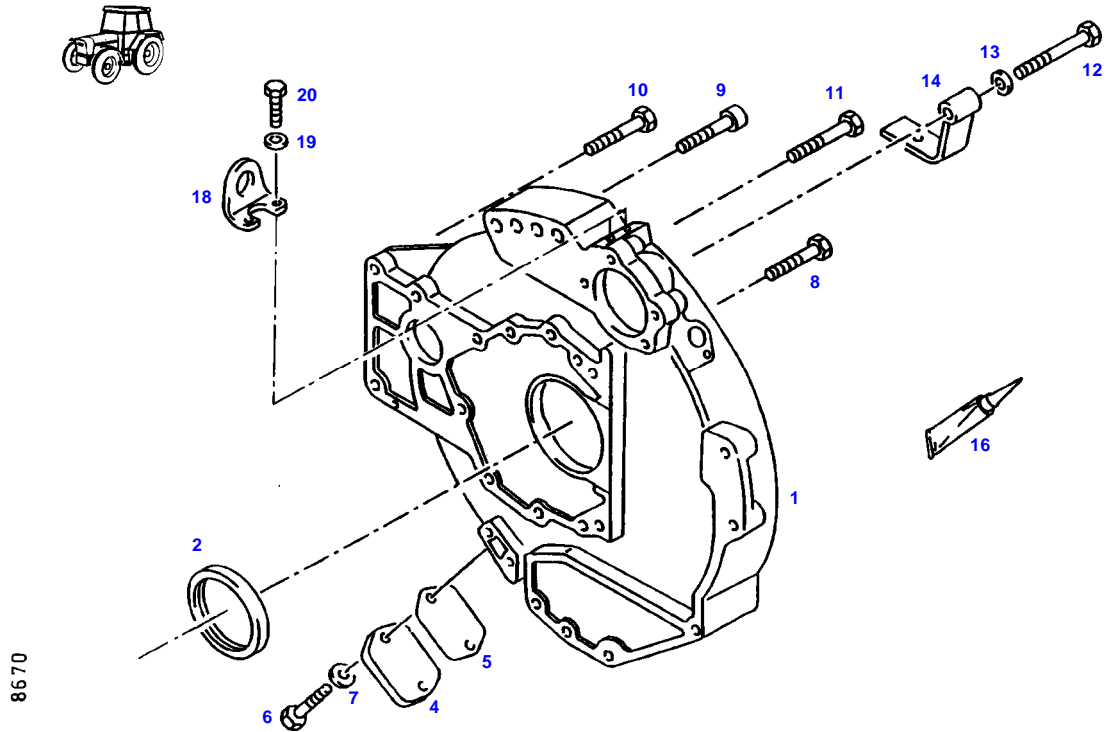
XYLON 524 (524/00101-99999)
8669



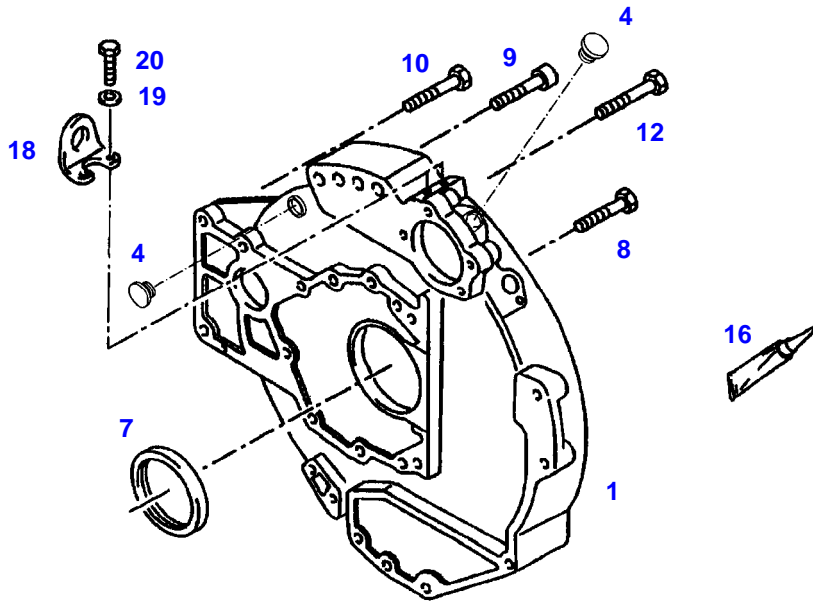
8598

Item	Part Number	Qty	Description Comments	Technical Specification
1	72311404	1	COVER ><2,4	
2	72346310	1	SHAFT SEALING RINGS	
4	72313720	2	CENTERING PIN	
5	72312260	1	SEAL	
6	72312752	1	CONTROL HOUSING	
7	72313754	3	STUD BOLT	DIN 835-M8X25-8.8-ZNPHR3F
			<-- 524/0101 --> 524/0300	
			<-- 524/1001 --> 524/2120	
			<-- 524/2131 --> 524/2201	
			<-- 524/2204 --> 524/2213	
			<-- 524/2215 --> 524/2229	
	72313712	4	STUD BOLT M8X40	
			<-- 524/2121 --> 524/2130	
			<-- 524/2202 --> 524/2203	
			<-- 524/2214 --> 524/2214	
			<-- 524/2230	
10	72312259	1	SEAL	
12	72313848	1	TENSIONING PIN	ISO8750-8X16-ST
13	72311788	12	DISC	DIN 125-8,4-ST.A3L
14	72315653	11	HEXAGONAL HEAD BOLT	DIN 933 M8 X 25-8.8A3L
15	72315529	1	HEXAGONAL HEAD BOLT	DIN 931 M8X50-8.8A3L
16	72311789	1	DISC	DIN 125-10,5-ST.A3L
17	72315544	1	HEXAGONAL HEAD BOLT	DIN 931 M10X50-8.8A3L
20	72315101	1	SEALING WASHER	DIN 7603 A22X27-CU
21	72315802	1	SCREW	DIN 7604 AM22X1,5-ST
22	72315657	1	HEXAGONAL HEAD BOLT	DIN 933 M8 X 30-8.8A3L
23	72311788	15	DISC	DIN 125-8,4-ST.A3L
24	72315663	2	HEXAGONAL HEAD BOLT	DIN 933 M8X40-8.8A3L
25	72315657	13	HEXAGONAL HEAD BOLT	DIN 933 M8 X 30-8.8A3L

XYLON 524 (524/00101-99999)
8670

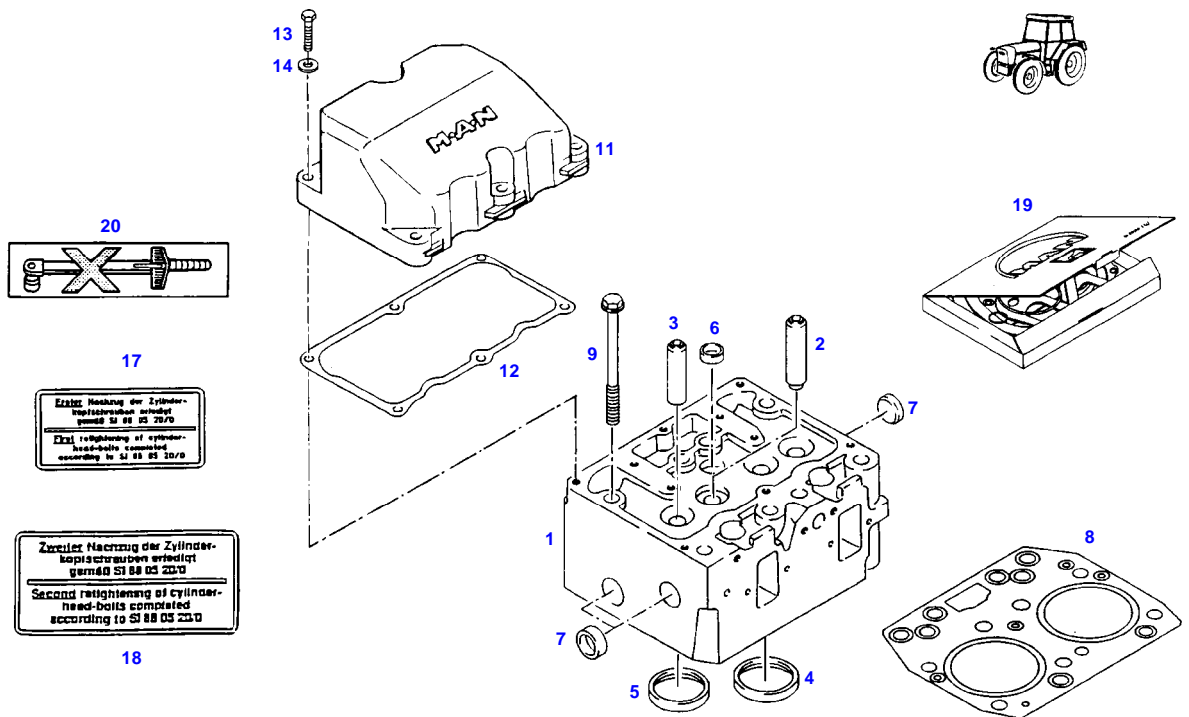


Item	Part Number	Qty	Description Comments	Technical Specification
			ENGINE NUMBER <-- 063 7500 000 --> 063 8462 999	
1	72312745	1	FLYWHEEL HOUSING	
2	72315031	1	SHAFT SEALING RINGS	
4	72311405	1	COVER	
5	72312240	1	SEAL	
6	72315642	2	HEXAGONAL HEAD BOLT	DIN 933 M8 X 16-8.8A3L
7	72311788	2	DISC	DIN 125-8,4-ST.A3L
8	72315711	8	HEXAGONAL HEAD BOLT	DIN 933 M12X35-8.8A3L
9	72315513	1	SOCKET HEAD BOLT	DIN 912 M12X60-10.9
10	72315725	1	HEXAGONAL HEAD BOLT	DIN 933 M14X50-8.8
11	72315726	1	HEXAGONAL HEAD BOLT	DIN 933 M14X60-8.8
12	72315538	1	HEXAGONAL HEAD BOLT	DIN 931-M8X80-10.9-ZNPHR3F
13	72311788	1	DISC	DIN 125-8,4-ST.A3L
14	72316638	1	RETAINER	
16	72311273	1	SEALING COMPOUND	TEROST-63S
18	72312039	1	SUSPENSION EYE	
19	72311789	2	DISC	DIN 125-10,5-ST.A3L
20	72315681	2	HEXAGONAL HEAD BOLT	DIN 933 M10X25-8.8A3L



0310979

Item	Part Number	Qty	Description Comments	Technical Specification
			ENGINE NUMBER <-- 063 8463 001 --> 063 9999 999 <-- 063 0001 000 <-- 063 7499 999	
1	72312747	1	FLYWHEEL HOUSING	
4	72314695	2	LOCKING PLUG	
7	72315031	1	SHAFT SEALING RINGS	
8	72315711	8	HEXAGONAL HEAD BOLT	DIN 933 M12X35-8.8A3L
9	72315513	1	SOCKET HEAD BOLT	DIN 912 M12X60-10.9
10	72315725	1	HEXAGONAL HEAD BOLT	DIN 933 M14X50-8.8
	72315726	1	HEXAGONAL HEAD BOLT	DIN 933 M14X60-8.8
12	72315666	1	HEXAGONAL HEAD BOLT	DIN 933 M8X50-10.9 ZNPHR3F
16	72602309	1	SEALING COMPOUND	
18	72312039	1	SUSPENSION EYE	
19	72311789	2	DISC	DIN 125-10,5-ST.A3L
20	72315681	2	HEXAGONAL HEAD BOLT	DIN 933 M10X25-8.8A3L



10869

Item	Part Number	Qty	Description Comments	Technical Specification
1	72497995	2	CYLINDER HEAD ><-2-7	
2	72310651	4	VALVE GUIDE 16,00MM INTAKE	
	72310652	4	VALVE GUIDE 16,25MM INTAKE	
3	72310653	4	VALVE GUIDE 16,00MM OUTLET	
	72310654	4	VALVE GUIDE 16,25MM OUTLET	
4	72315032	4	VALVE SEAT RING 51,11MM INTAKE	
	72315033	4	VALVE SEAT RING 51,31MM INTAKE	
5	72315034	4	VALVE SEAT RING 44,10MM OUTLET	
	72315035	4	VALVE SEAT RING 44,30MM OUTLET	
6	72311428	2	COVER	
7	72311429	4	COVER	
8	72312241	2	CYLINDER HEAD GASKET <>	
	72426464	8	HEX BOLT, WITH COLLAR	
9	72426464	16	HEX BOLT, WITH COLLAR MUST NOT BE RETIGHTENED SCREWS-TO BE USED ONCE ONLY ENG.NO. <-- 063 7500 000 <> --> 063 8420 999 <> <>	
	72423094	1	MARKING PLATE	
11	72311630	2	CYLINDER HEAD COVER	
12	72317854	2	SEAL	
13	72315520	12	HEXAGONAL HEAD BOLT	DIN 931-M6X40-10.9-ZNPHR3F DIN 125-6,4-ST.A3L
14	72311787	12	DISC	
17	72314423	1	LABEL ENG.NO. <-- 063 7500 000 --> 063 8420 999 D,GB	
	72314424	1	LABEL ENG.NO. <-- 063 7500 000 --> 063 8420 999 F,E	
18	72314425	1	LABEL ENG.NO. <-- 063 7500 000 --> 063 8420 999 D,GB	
	72314426	1	LABEL ENG.NO. <-- 063 7500 000 --> 063 8420 999 F,E	
19	72312366	2	SEAL KIT <>	

Fendt

XYLON 524 (524/00101-99999)

F524000

CYLINDER HEAD

Page01-0009

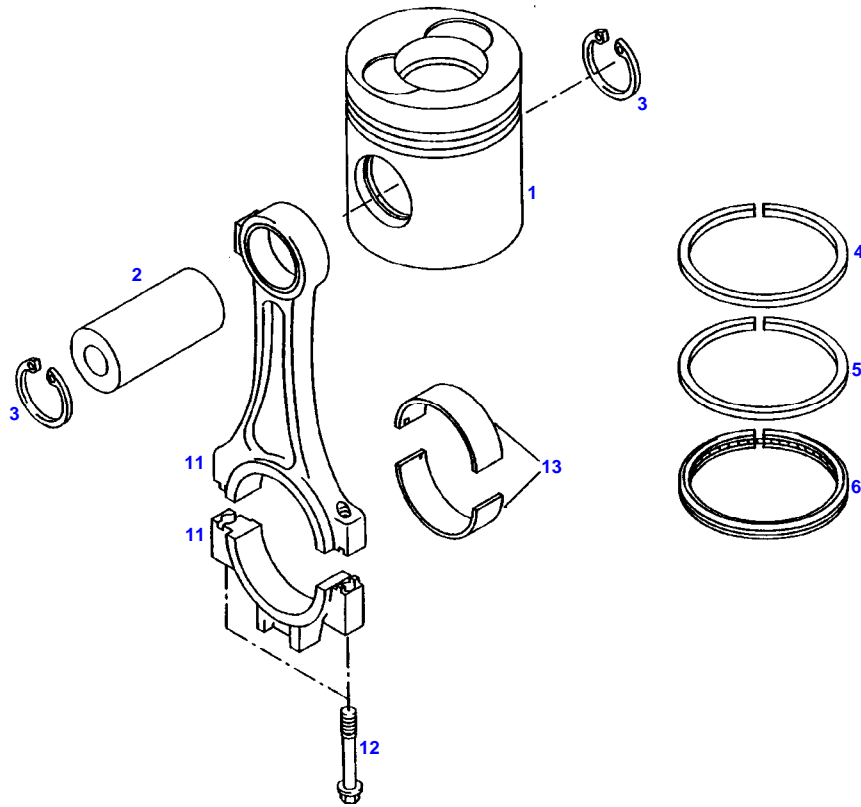
Item	Part Number	Qty	Description Comments	Technical Specification
	72426464	8	HEX BOLT, WITH COLLAR	
20	72423094	1	MARKING PLATE	

Item	Part Number	Qty	Description Comments	Technical Specification
1	72311578	1	CRANKSHAFT ><2-5	
2	72312388	1	RING GEAR	
3	72313849	1	TENSIONING PIN	ISO8750-8X24-ST
4	72313817	1	TENSIONING PIN	ISO8752-6X16-A-ST-ZNPHR10F-KOE
5	72313722	4	DOWEL PIN	
6	72310327	4	MAIN BEARING 77,00MM	
	72310328	4	MAIN BEARING 76,90MM	
	72310329	4	MAIN BEARING 76,75MM	
	72310330	4	MAIN BEARING 76,50MM	
	72310331	4	MAIN BEARING 76,25MM	
	72310332	4	MAIN BEARING 76,00MM	
7	72310232	1	TIGHT-FIT BEARING 77,00MM	
	72310233	1	TIGHT-FIT BEARING 76,90MM ENG.NO. <-- 063 7500 000 --> 063 8253 999	
	72310233	1	TIGHT-FIT BEARING 76,90MM ENG.NO. <-- 063 8254 001 --> 063 9999 999 <-- 063 0001 000 --> 063 7499 999	
	72310228	1	TIGHT-FIT BEARING 76,75MM ENG.NO. <-- 063 7500 000 --> 063 8253 999	
	72310234	1	TIGHT-FIT BEARING 76,75MM ENG.NO. <-- 063 8254 001 --> 063 9999 999 <-- 063 0001 000 --> 063 7499 999	
	72310235	1	TIGHT-FIT BEARING 76,50MM	
	72416971	1	TIGHT-FIT BEARING 76,25MM ENG.NO. <-- 063 7500 000 --> 063 8253 999	
	72416971	1	TIGHT-FIT BEARING 76,25MM ENG.NO. <-- 063 8254 001 --> 063 9999 999 <-- 063 0001 000 --> 063 7499 999	
8	72416972	1	TIGHT-FIT BEARING 76,00MM	
9	72315016	1	SPRAYER RING	
10	72311631	1	VIBRATION DAMPER	
11	72311934	1	DISC	
12	72315368	6	SOCKET HEAD BOLT	
13	72314861	1	V BELT SHEAVE	

CRANKSHAFT

Item	Part Number	Qty	Description Comments	Technical Specification
15			SEE FRONT P.T.O. G.SHIFT	
16			SEE FRONT P.T.O. G.SHIFT	
17			SEE FRONT P.T.O. G.SHIFT	
18			SEE FRONT P.T.O. G.SHIFT	
19			SEE FRONT P.T.O. G.SHIFT	
20	72316540	1	CRANKSHAFT GEAR	
22	72312181	1	FLYWHEEL ><23	
23	72312389	1	RING GEAR	
24	72310764	1	BUSH	
25	72312143	1	COUPLING FLANGE	
26	72315372	8	HEX BOLT, WITH COLLAR	
30	72312390	1	DYNAMIC BALANCER ><31	
31	72313713	2	CYLINDER PIN	
32	72315565	2	HEXAGONAL HEAD BOLT	DIN 931 M12X90 GWA-10.9
34	72311273	1	SEALING COMPOUND	TEROST-63S
35	72311272	1	SEALING COMPOUND	

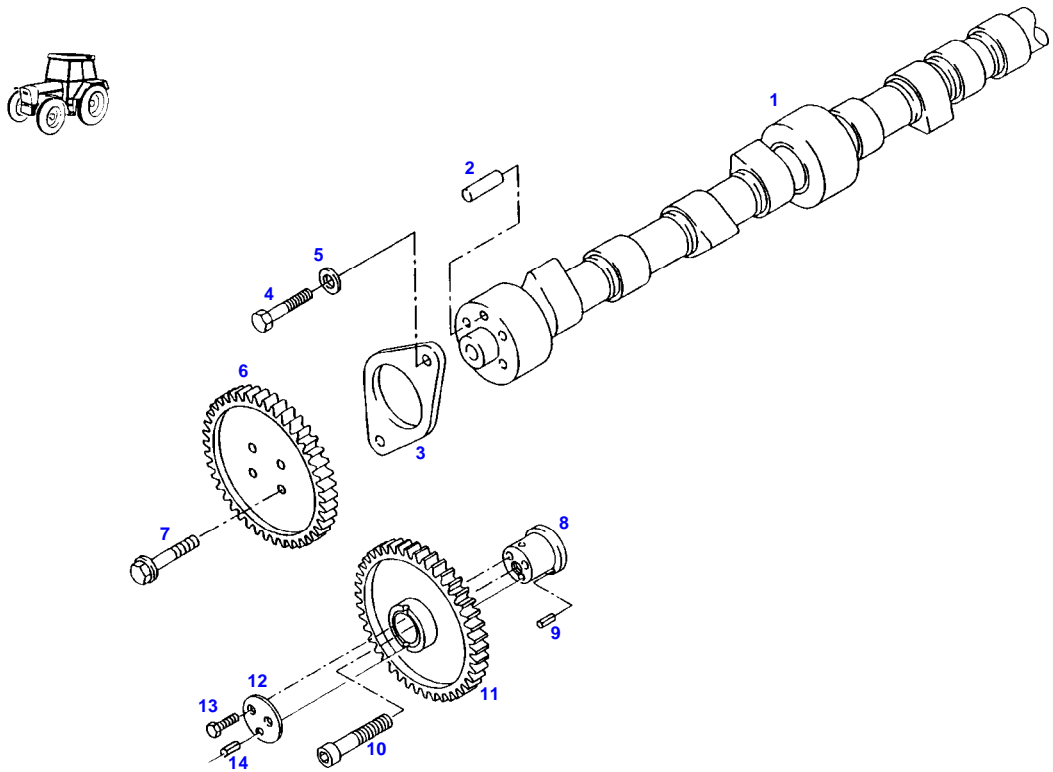
XYLON 524 (524/00101-99999)
8735



8735

Item	Part Number	Qty	Description Comments	Technical Specification
1	72314357	4	PISTON ><2-6	
2			NOT AVAILABLE IN SINGLE PARTS	
3	72311095	8	LOCK WASHER	DIN 472-40X1,75
4	72315036	4	KEYSTONE RING	
5	72317292	4	TAPERED COMPRESSION RING	
6	72315017	4	WEDGE-SECTION RING S=4MM	
11	72311288	4	PISTON ROD PARALLEL CYLINDER CHANGE SETWISE ><12	
12	72414855	8	TORX SCREW REPLACE SCREWS SETWISE SCREWS-TO BE USED ONCE ONLY	
13	72317206	4	CONNECTING ROD BEARING 65,00MM	
	72310333	4	CONNECTING ROD BEARING 64,90MM	
	72310334	4	CONNECTING ROD BEARING 64,75MM	
	72310335	4	CONNECTING ROD BEARING 64,50MM	
	72310336	4	CONNECTING ROD BEARING 64,25MM	
	72310337	4	CONNECTING ROD BEARING 64,00MM	

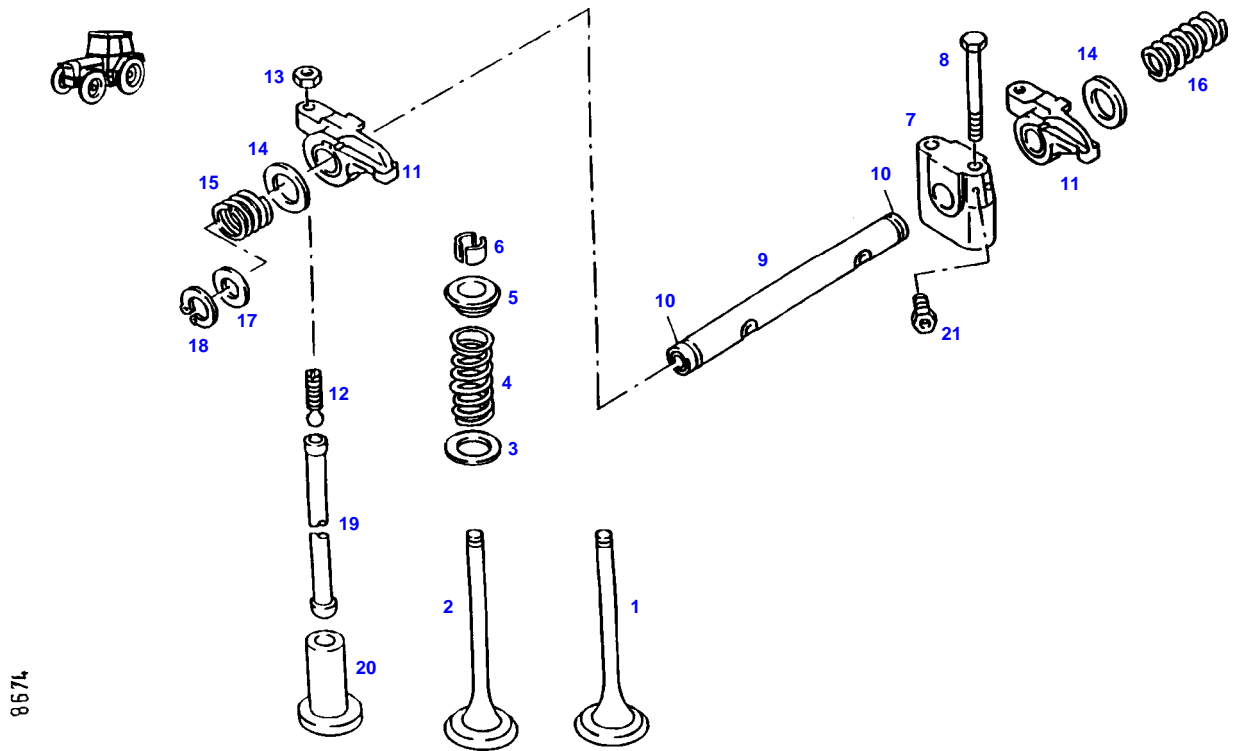
XYLON 524 (524/00101-99999)
10539



10539

Item	Part Number	Qty	Description Comments	Technical Specification
1	72310910	1	CAMSHAFT ><2	
2	72313859	1	CYLINDER PIN	DIN 7-8M6X18-ST50K
3	72312126	1	FLANGE	
4	72315642	2	HEXAGONAL HEAD BOLT	DIN 933 M8 X 16-8.8A3L
5	72311788	2	DISC	DIN 125-8,4-ST.A3L
6	72312394	1	CAM WHEEL	
7	72315385	4	HEX BOLT, WITH COLLAR	
8	72310408	1	BOLT >< 9,14	
9	72313847	1	TENSIONING PIN	ISO8750-8X10-ST
10	72315373	1	SOCKET HEAD BOLT	
11	72317157	1	INTERMEDIATE GEAR	
12	72317117	1	THRUST WASHER <>	
	72315477	2	SOCKET HEAD BOLT	DIN 912 M8X30-8.8A3L
13	72315776	2	SOCKET HEAD BOLT	DIN 6912 M8X30-8.8
14	72313846	1	TENSIONING PIN	ISO8750-5X10-ST

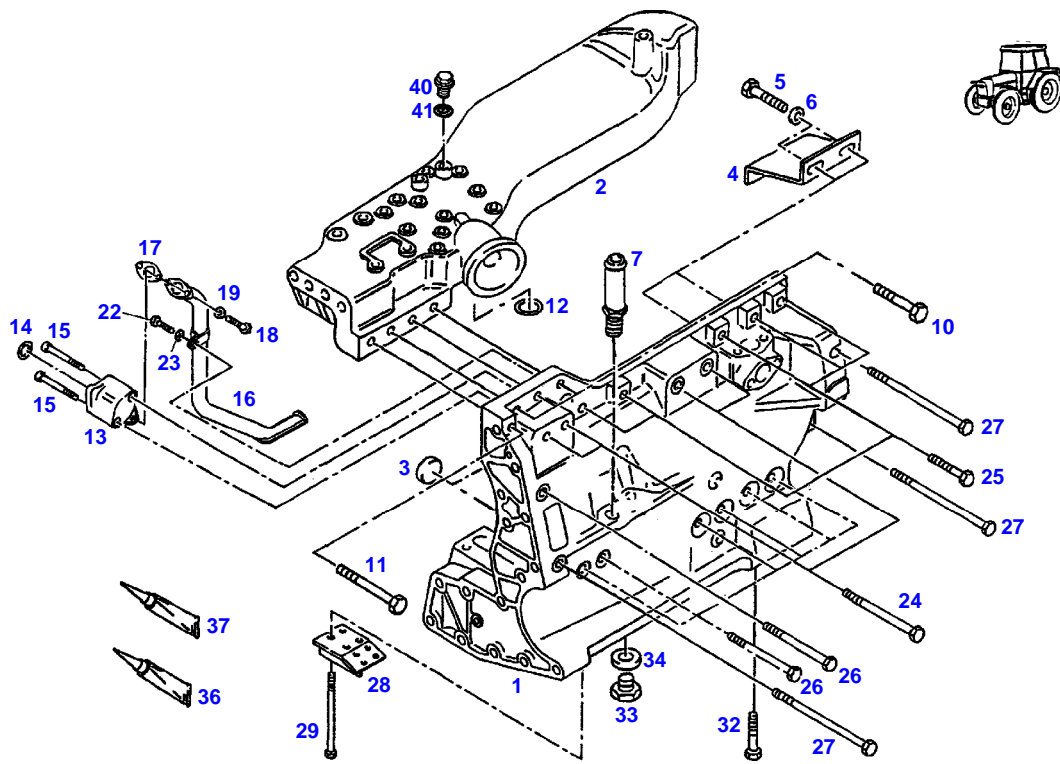
XYLON 524 (524/00101-99999)
8674



8674

Item	Part Number	Qty	Description Comments	Technical Specification
1	72317040	4	INTAKE VALVE	
2	72317039	4	OUTLET VALVE	
3	72311770	8	DISC	
4	72426516	8	VALVE SPRING	
5	72314931	8	VALVE SPRING RETAINER	
6	72311279	16	VALVE SPRING KEY	
7	72310119	4	ROCKER ARM SUPPORT	
8	72315554	8	HEXAGONAL HEAD BOLT	DIN 931 M10X65 GWA-10.9
			ENG.NO. <-- 063 7500 000 --> 063 8680 999	
	72310402	8	TORX SCREW ENG.NO. <-- 063 8681 001 --> 063 9999 999 <-- 063 0001 000 <-- 063 7499 999	
9	72310120	2	ROCKER SHAFT ><10	
10	72314697	4	PLUG	
11	72604686	8	ROCKER ARM	
12	72315386	8	PRESSURE SCREW	
13	72313252	8	NUT	
14	72311769	8	DISC	
15	72316451	4	COMPRESSION SPRING	
16	72316450	2	COMPRESSION SPRING	
17	72317112	4	MACHINE WASHER	
18	72311061	4	LOCK WASHER	DIN 471-20X1,2
19	72316921	8	PUSH ROD	
20	72316919	8	VALVE TAPPET 20,00MM	
	72316920	8	VALVE TAPPET 20,25MM	
21	72313229	8	NOZZLE	

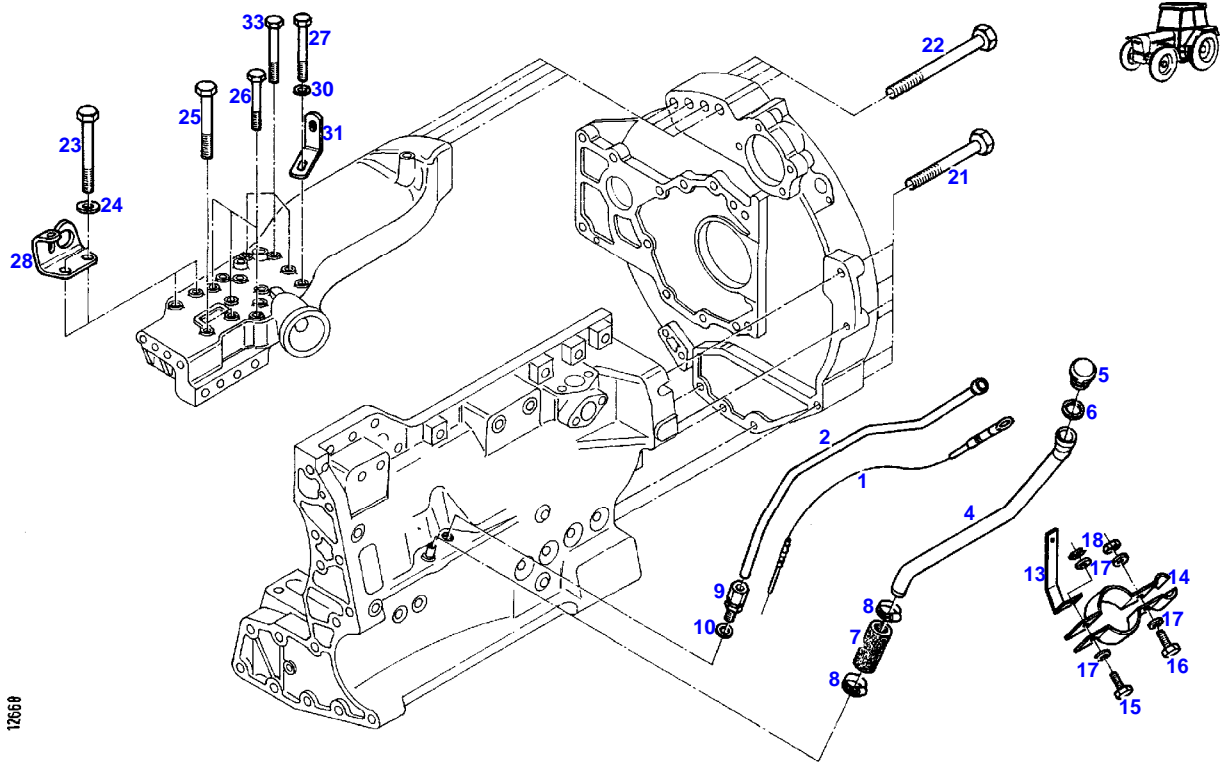
XYLON 524 (524/00101-99999)
12666



12666

Item	Part Number	Qty	Description Comments	Technical Specification
1	72431653	1	OIL PAN ><2-7,33,34 ENG.NO. <-- 063 7500 000 <> --> 063 9499 999 <> <>	
	72315099	1	SEALING WASHER	DIN 7603 A18X22-CU
	72315440	1	PLUG SCREW	DIN 908 M18 X 1,5-ST
	72315527	3	HEXAGONAL HEAD BOLT	DIN 931 M8X95-10.9
	72315668	2	HEXAGONAL HEAD BOLT	DIN 933 M8X50-8.8A3L
2			NOT AVAILABLE IN SINGLE PARTS	
3	72417059	3	COVER	
4	72311649	1	OIL DEFLECTOR	
5	72315642	2	HEXAGONAL HEAD BOLT	DIN 933 M8 X 16-8.8A3L
6	72311788	2	DISC	DIN 125-8,4-ST.A3L
7	72316287	1	OIL FILLER NECK	
10	72315543	3	HEXAGONAL HEAD BOLT	DIN 931-M10X45-12.9
11	72315696	1	HEXAGONAL HEAD BOLT	DIN 933 M10X60-10.9
12	72313529	1	SEAL	
13	72312116	1	INTERMEDIATE FLANGE	
14	72313530	1	SEAL	
15	72315485	2	SOCKET HEAD BOLT	DIN 912 M8X70-8.8
16	72316946	1	OIL SUCTION LINE	
17	72312243	1	SEAL	
18	72315651	2	HEXAGONAL HEAD BOLT	DIN 933 M8X22-8.8A3L
19	72311788	2	DISC	DIN 125-8,4-ST.A3L
22	72315646	1	HEXAGONAL HEAD BOLT	DIN 933 M8X18-8.8A3L
23	72311788	1	DISC	DIN 125-8,4-ST.A3L
24	72315674	4	HEXAGONAL HEAD BOLT	DIN 933-M8X110-8.8-A3L
25	72315663	5	HEXAGONAL HEAD BOLT	DIN 933 M8X40-8.8A3L
26	72315540	8	HEXAGONAL HEAD BOLT	DIN 931 M8X100-10.9
27	72315524	3	HEXAGONAL HEAD BOLT	DIN 931 M8X160-10.9
28	72316640	1	RETAINER	
29	72315572	4	HEXAGONAL HEAD BOLT	DIN 931 M12X180-10.9
32	72315527	1	HEXAGONAL HEAD BOLT	DIN 931 M8X95-10.9
33	72315442	1	PLUG	DIN 908 M22X1,5-ST
34	72315101	1	SEALING WASHER	DIN 7603 A22X27-CU
36	72313159	1	ADHESIVE	LOCTITE 648 50ML
37	72602309	1	SEALING COMPOUND	
40	72315440	1	PLUG SCREW	DIN 908 M18 X 1,5-ST
41	72315099	1	SEALING WASHER	DIN 7603 A18X22-CU

XYLON 524 (524/00101-99999)
12668



Item	Part Number	Qty	Description Comments	Technical Specification
OIL FILLING SOCKET				
1	72311666	1	DIPSTICK	
2	72316947	1	GUIDE TUBE	
4	72316289	1	OIL FILLER NECK	
5	72311395	1	COVER ><6	
6	72312231	1	SEAL	
7	72312630	1	HOSE	
8	72604914	2	CLIP	
9	72311313	1	STRAIGHT THREADED CONNECTION	DIN 2353-CL10-A-ST
10	72315095	1	SEALING WASHER	DIN 7603 A14X20-CU
13	72316641	1	RETAINER	
14	72311217	2	PIPE CLAMP	
			ENG.NO. <-- 063 7500 000 --> 063 8614 999	
	72316642	1	RETAINER ENG.NO. <-- 063 8615 001 --> 063 9999 999 <-- 063 0001 000 <-- 063 7499 999	
15	72315653	1	HEXAGONAL HEAD BOLT	DIN 933 M8 X 25-8.8A3L
16	72315649	1	HEXAGONAL HEAD BOLT	DIN 933 M8X20-10.9
17	72311788	4	DISC	DIN 125-8,4-ST.A3L
18	72313268	2	NUT	DIN 934 M8-8A3L
21	72317614	6	HEXAGONAL HEAD BOLT ENG.NO. <-- 063 7500 000 --> 063 8462 999	D931 M16X100 GWA10.9-OB3FWN102
	72315591	6	HEXAGONAL HEAD BOLT ENG.NO. <-- 063 8463 001 --> 063 9999 999 <-- 063 0001 000 --> 063 7499 999	DIN 931-M16X130-10.9
22	72315593	4	HEXAGONAL HEAD BOLT	DIN 931 M16X160-10.9
23	72315569	2	HEXAGONAL HEAD BOLT	DIN 931 M12X110 GWA-10.9
24	72311791	2	DISC	DIN 125-13-ST.A3L
25	72315567	2	HEXAGONAL HEAD BOLT	DIN 931 M12X100 GWA-10.9
26	72315536	3	HEXAGONAL HEAD BOLT	DIN 931 M8X85-10.9
27	72315527	1	HEXAGONAL HEAD BOLT ENG.NO. <-- 063 7500 000 --> 063 8965 000	DIN 931 M8X95-10.9
	72315540	1	HEXAGONAL HEAD BOLT ENG.NO. <-- 063 8965 001 --> 063 9999 999 <-- 063 0001 000 --> 063 7499 999	DIN 931 M8X100-10.9
28	72312040	1	SUSPENSION EYE	
30	72311788	1	DISC ENG.NO. <-- 063 8965 001 --> 063 9999 999 <-- 063 0001 000 <-- 063 7499 999	DIN 125-8,4-ST.A3L
31	72316660	1	RETAINER ENG.NO. <-- 063 8965 001 --> 063 9999 999 <-- 063 0001 000 <-- 063 7499 999	

Item	Part Number	Qty	Description Comments	Technical Specification
33	72315536	3	HEXAGONAL HEAD BOLT ENG.NO. <-- 063 7500 000 --> 063 9499 999	DIN 931 M8X85-10.9
	72315527	3	HEXAGONAL HEAD BOLT ENG.NO. <-- 063 9500 000 --> 063 9999 999 <-- 063 0001 000 <-- 063 7499 999	DIN 931 M8X95-10.9



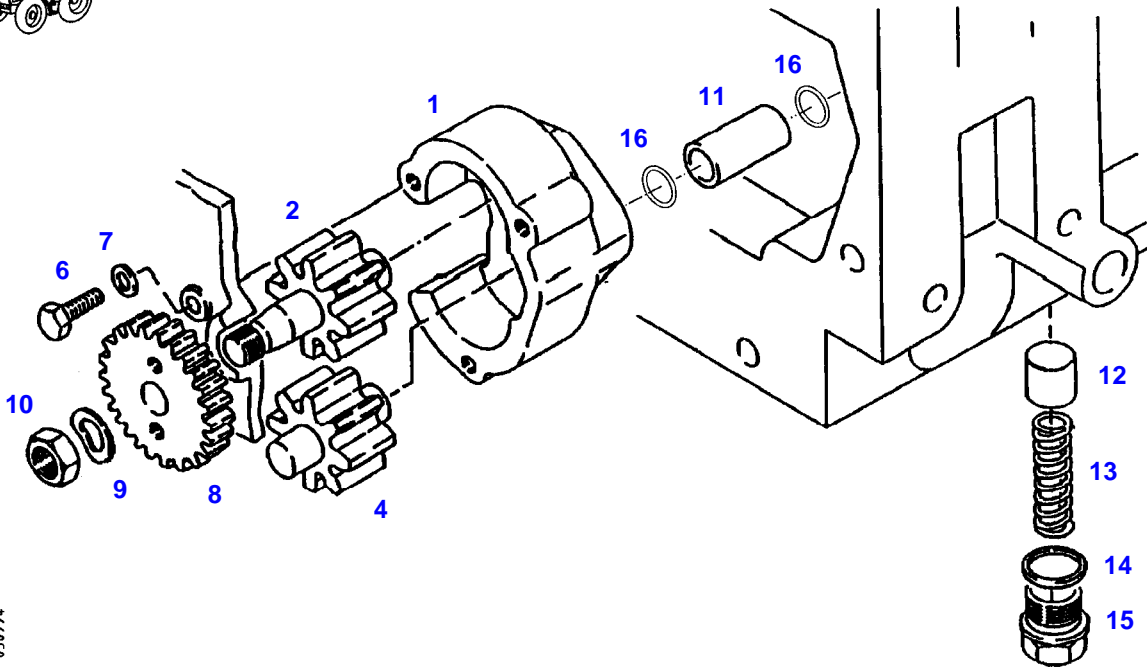
Suggest:

For more complete manuals. Please go to the home page.

<https://www.ebooklibonline.com>

If the above button click is invalid. Please download this document first, and then click the above link to download the complete manual.

Thank you so much for reading



765030

Item	Part Number	Qty	Description Comments	Technical Specification
1	72312750	1	PUMP HOUSING	
2	72608870	1	OIL IMPELLER	
	72432741	1	OIL IMPELLER	
4	72432741	1	OIL IMPELLER	
	72608870	1	OIL IMPELLER	
6	72315649	3	HEXAGONAL HEAD BOLT	DIN 933 M8X20-10.9
7	72311788	3	DISC	DIN 125-8,4-ST.A3L
8	72317160	1	DRIVE GEAR	
9	72317123	1	SPRING WASHER	DIN 137 B12-ZNPHR
10	72476348	1	NUT	
11	72316956	1	JOINT TUBE	
	72313529	2	SEAL	
12	72314366	1	PISTON	
13	72316448	1	COMPRESSION SPRING	
14	72315102	1	SEALING WASHER	DIN 7603 A24X29-CU
15	72315382	1	SCREW	
16	72313529	2	SEAL	

<https://www.ebooklibonline.com>

Hello dear friend!

Thank you very much for reading.

Enter the link into your browser.

The full manual is available for immediate download.

<https://www.ebooklibonline.com>