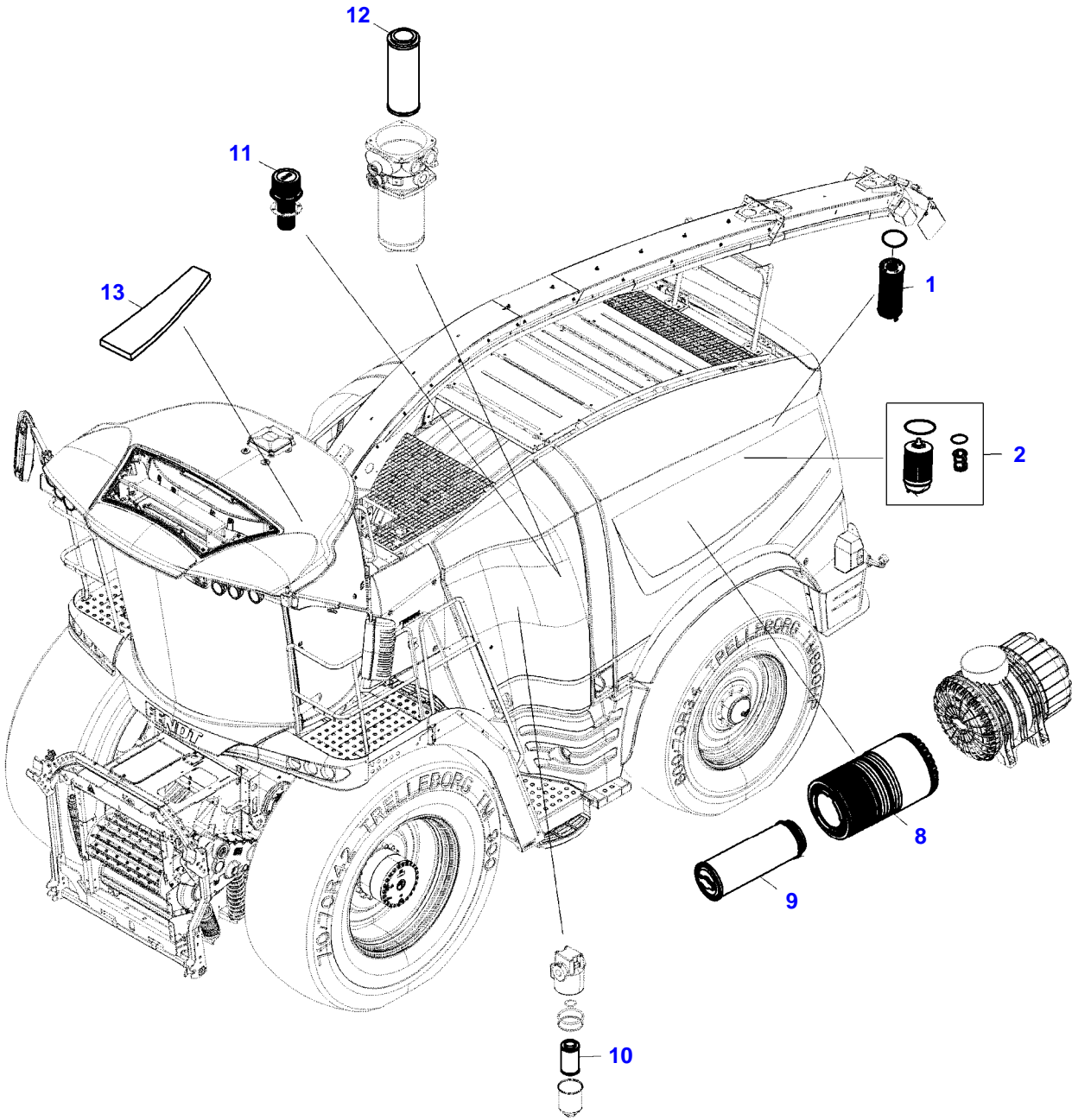


TABLE OF CONTENT

Page Number	Page Title	Page Reference
01-000-TOC	ENGINE, FUEL AND EXHAUST SYSTEM	01-000-TOC
02-000-TOC	DRIVE SYSTEM	02-000-TOC
03-000-TOC	AXLES	03-000-TOC
04-000-TOC	COMPRESSED AIR SYSTEM	04-000-TOC
05-000-TOC	HYDRAULIC SYSTEM	05-000-TOC
06-000-TOC	ELECTRICAL SYSTEM	06-000-TOC
07-000-TOC	CAB	07-000-TOC
08-000-TOC	AIR CONDITIONING AND HEATING SYSTEM	08-000-TOC
09-000-TOC	CHASSIS	09-000-TOC
10-000-TOC	WHEELS	10-000-TOC
11-000-TOC	INFEED	11-000-TOC
12-000-TOC	CHOPPING SYSTEM	12-000-TOC
13-000-TOC	UNLOADING SYSTEM	13-000-TOC
14-000-TOC	HARVEST DRIVE TRAIN SYSTEM	14-000-TOC
15-000-TOC	CENTRAL LUBRICATION SYSTEM	15-000-TOC
16-000-TOC	PRECISION FARMING SYSTEMS	16-000-TOC
17-000-TOC	ACCESSORIES	17-000-TOC



OVERVIEW - FILTERS

Item	Part Number	Qty	Description Comments	Technical Specification
1	F652201510010	1	OIL FILTER SEE PAGE 01-0017	
2	F652201060010	1	FUEL FILTER WITH FILTER ELEMENT PRE FUEL FILTER SEE PAGE 01-0020	FUEL FILTER
8	652201091020	1	MAIN FILTER SEE PAGE 01-0051	
9	653201092060	1	SECONDARY FILTER SEE PAGE 01-0051	
10	F931962025010	1	FILTER ELEMENT TUBES TRANSMISSION OIL COOLER SEE PAGE 05-0050	
11	F916861060011	1	VENTILATION FILTER HYDRAULIC OIL TANK SEE PAGE 05-0062	
12	F650963050010	1	FILTER CARTRIDGE HYDRAULIC OIL TANK SEE PAGE 05-0063	
13	F650810020010	1	AIR FILTER CAB SEE PAGE 07-0007	

<https://www.ebooklibonline.com>

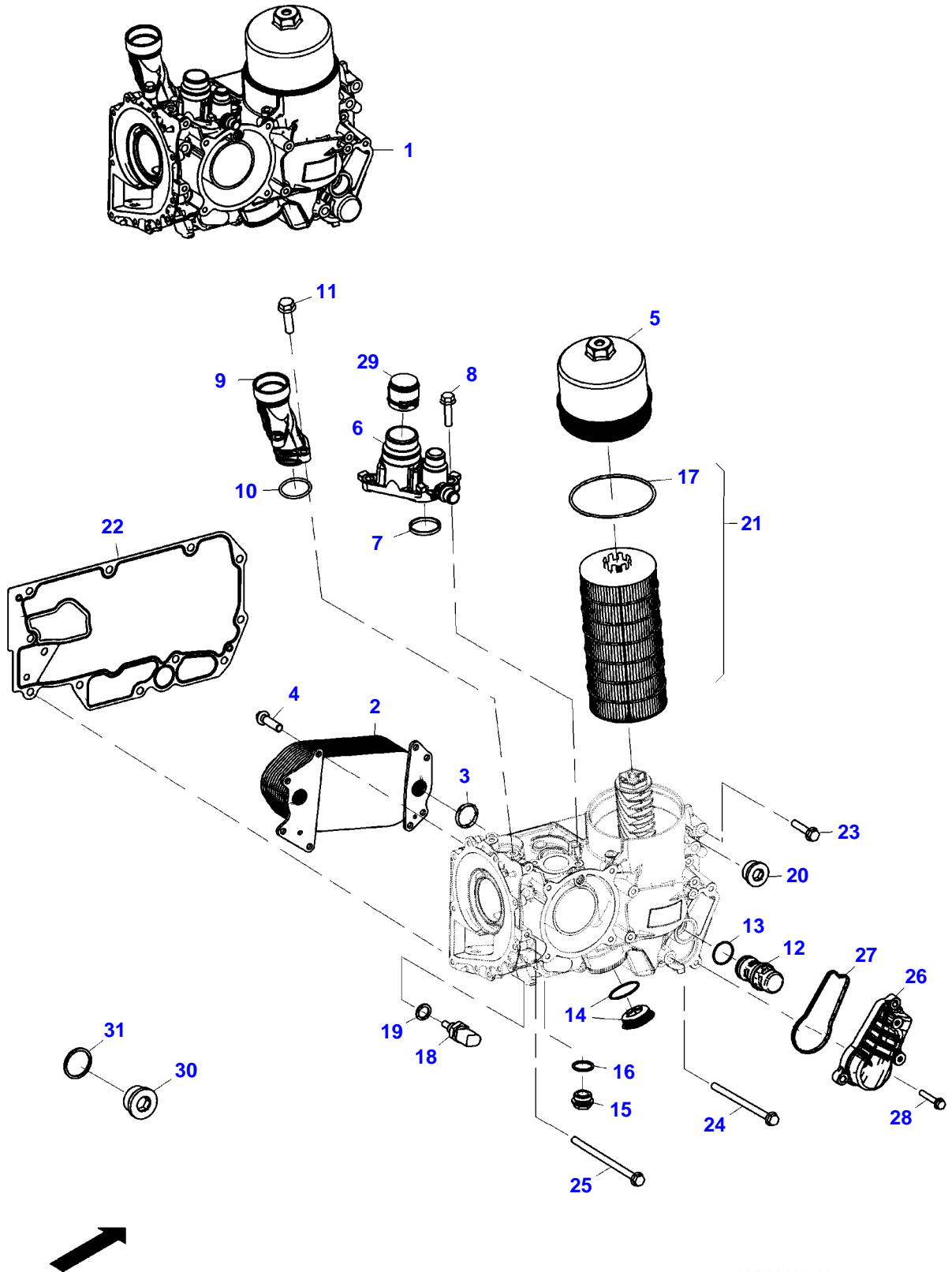
Hello dear friend!

Thank you very much for reading.

Enter the link into your browser.

The full manual is available for immediate download.

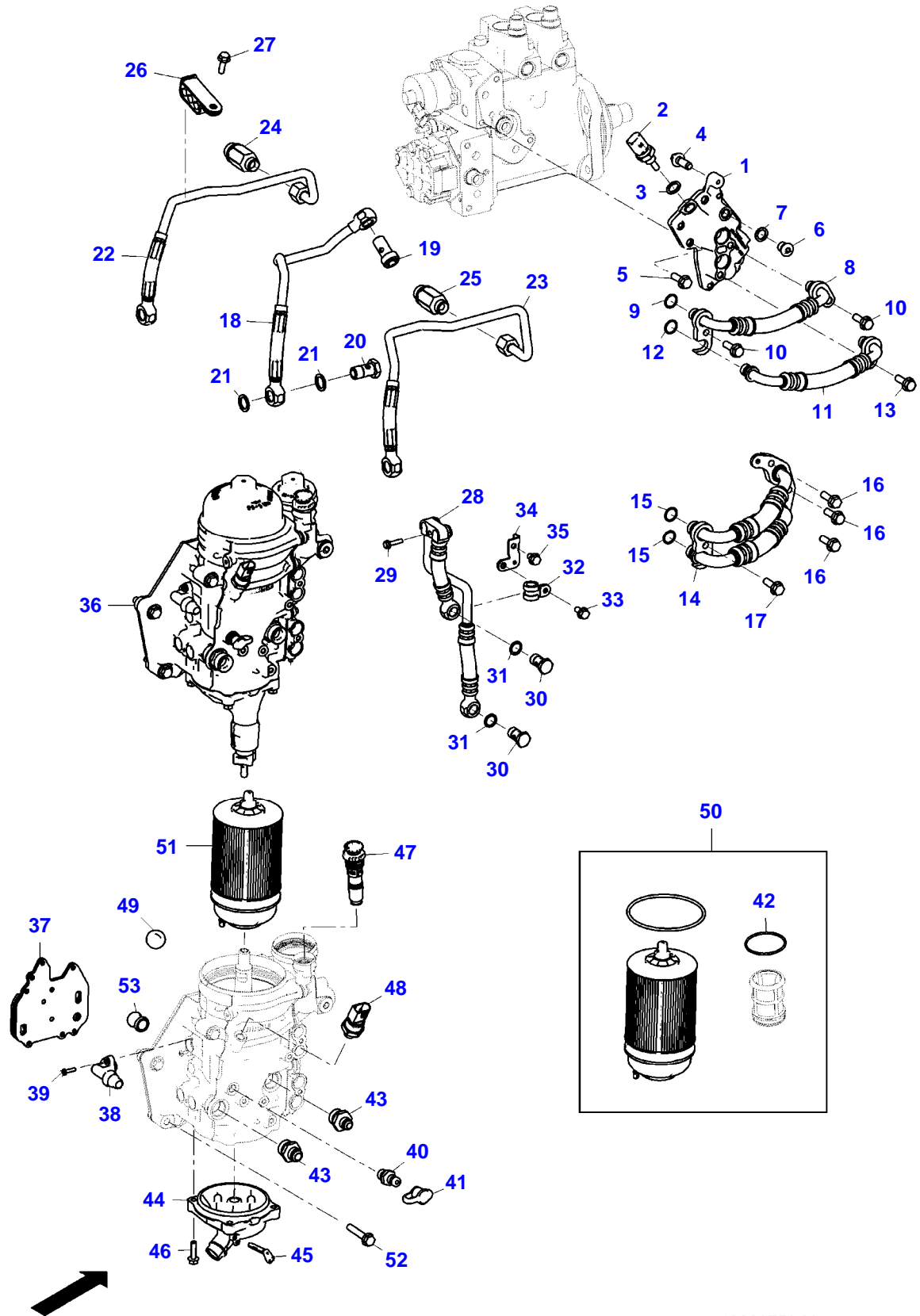
<https://www.ebooklibonline.com>



18062691-M-1

Item	Part Number	Qty	Description Comments	Technical Specification
1	F652201240310	1	TEMPERATURE CONTROL MODULE	
2	F652201240320	1	OIL COOLER	
3	F652201240330	2	GASKET	
4	F652201240340	8	HEXAGONAL HEAD BOLT	M8X30
5	F652201220010	1	OIL FILTER CAP	
6	F652201240350	1	SOCKET	
7	F652201240360	1	GASKET	
8	F652201210270	2	HEXAGONAL HEAD BOLT	
9	F652201240370	1	SOCKET	
10	F652201240380	1	O-RING	
11	F652201210270	3	HEXAGONAL HEAD BOLT	
12	F652201240390	1	THERMOSTAT	
13	F652201240410	1	O-RING	
14	F652201240420	1	PLUG SCREW	M52
15	F652201240430	1	PLUG SCREW	M22
16	F652201210380	1	SEALING WASHER	
17	F652201240440	1	SEALING WASHER	
18	F652201210160	1	TEMPERATURE TRANSMITTER B296 TEMP. TRANSMITTER COOLING MEDIUM ZULAUF	
19	F652201210590	1	SEALING WASHER	
20	F652201240450	1	PLUG SCREW	M27
21	F652201510010	1	OIL FILTER	
22	F652201240460	1	GASKET	
23	F652201230010	6	HEXAGONAL HEAD BOLT	M10X60
24	F652201240470	1	HEXAGONAL HEAD BOLT	M10X160
25	F652201240480	4	HEXAGONAL HEAD BOLT	M10X180
26	F652201240490	1	LID	
27	F652201240500	1	GASKET	
28	F652201210270	3	HEXAGONAL HEAD BOLT	
29	F652201240510	1	PLUG SCREW	
30	F652201240520	1	PLUG SCREW	M33
31	F652201240530	1	SEALING WASHER	M33

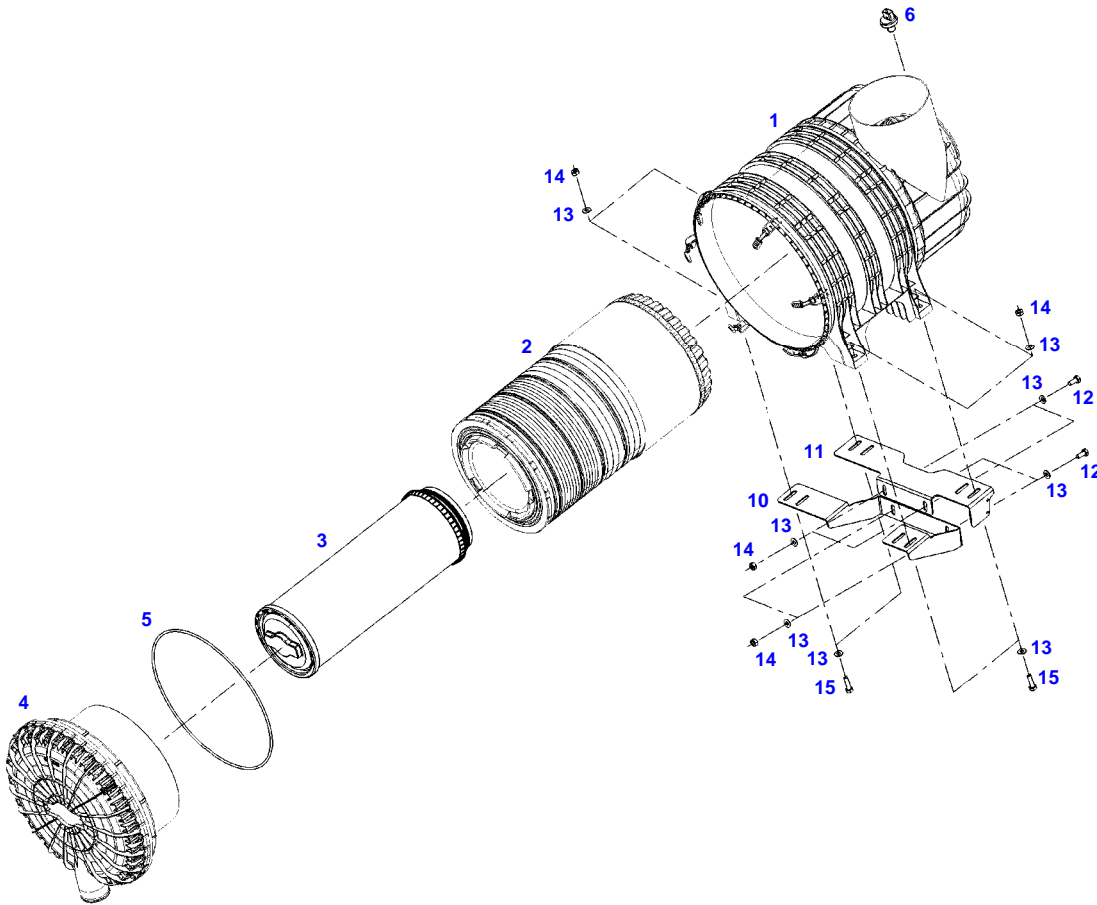
FENDT KATANA 65 S4 (652/00101-01100) (WAM652XXX00F01101-99999)
18062759-M-1



18062759-M-1

FUEL FILTER

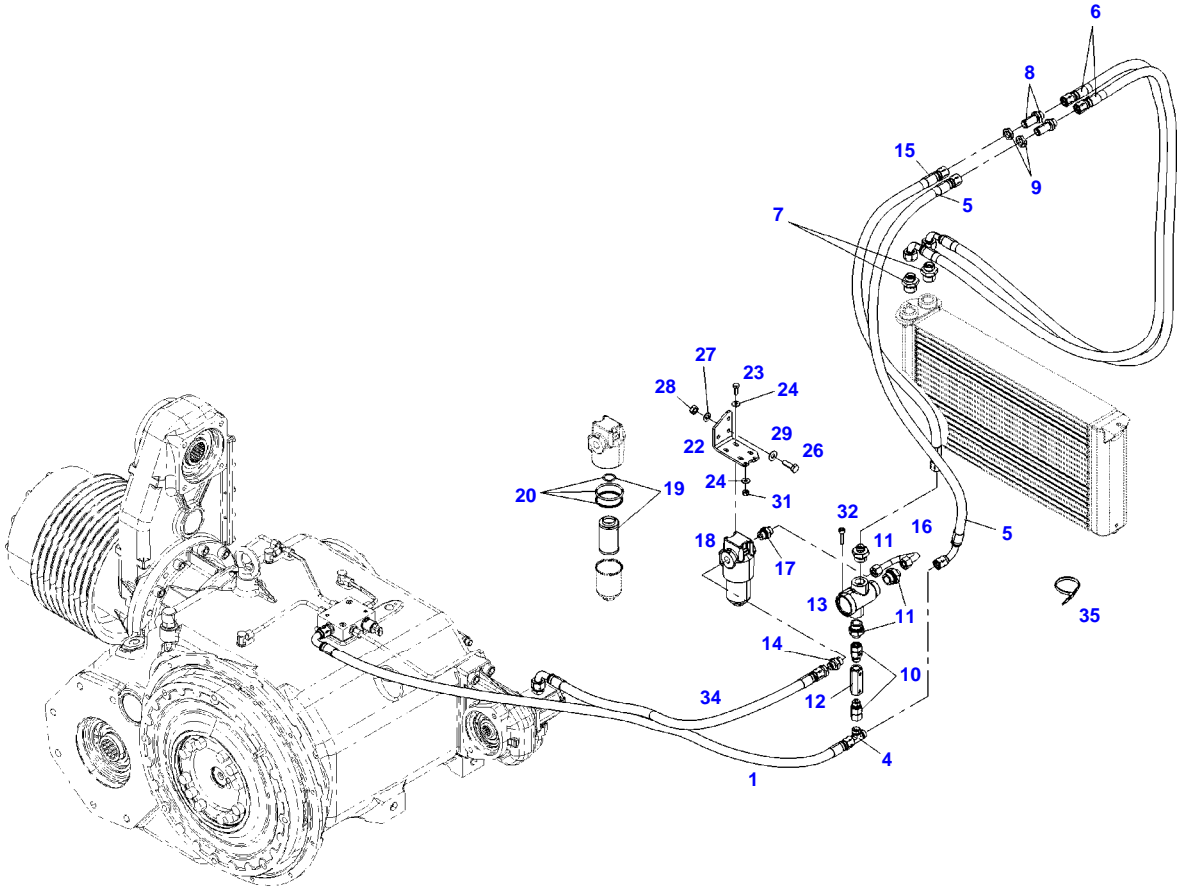
Item	Part Number	Qty	Description Comments	Technical Specification
1	F652201240930	1	SEALING FLANGE	
2	F652201210160	1	TEMPERATURE TRANSMITTER	
3	F652201210590	1	SEALING WASHER	
4	F652201240940	4	HEXAGONAL HEAD BOLT	
5	F652201210570	3	HEXAGONAL HEAD BOLT	
6	F652201240950	1	PLUG SCREW	
7	F652201240960	1	SEALING WASHER	
8	F652201210520	1	FUEL LINE	
9	F652201210530	4	SEALING WASHER	
10	F652201210570	2	HEXAGONAL HEAD BOLT	
11	F652201240970	1	FUEL LINE	
12	F652201240980	4	SEALING WASHER	
13	F652201210570	2	HEXAGONAL HEAD BOLT	
14	F652201240990	1	FUEL LINE	
15	F652201250010	4	SEALING WASHER	
16	F652201210570	3	HEXAGONAL HEAD BOLT	
17	F652201210570	1	HEXAGONAL HEAD BOLT	
18	F652201210580	1	FUEL LINE	
19	F652201250020	1	QUICK LOCK	
20	F652201250030	1	BANJO BOLT	
21	F652201210590	4	SEALING WASHER	
22	F652201210600	1	FUEL LINE	
23	F652201210610	1	FUEL LINE	
24	F652201250040	2	PIPE UNION	
25	F652201250050	2	PIPE UNION	
26	F652201250060	1	HOLDER	
27	F652201250070	1	HEXAGONAL HEAD BOLT	M6X20
28	F652201210620	1	FUEL LINE	
29	F652201230360	1	HEXAGONAL HEAD BOLT	M8X35
30	F652201250080	2	BANJO BOLT	
31	F652201210630	4	SEALING WASHER	
32	F653201260330	1	CLIP	15/20
33	F652201220730	1	HEXAGONAL HEAD BOLT	M8X16
34	F652201250090	1	HOLDER	
35	F652201250100	1	HEXAGONAL HEAD BOLT	
36	F652201250110	1	FUEL FILTER	
37	F652201250120	1	CAP COVER	
38	F652201250130	1	PIPE UNION	
39	F652201250140	2	HEXAGONAL HEAD BOLT	M5X20
40	F652201250150	1	SOLENOID VALVE	
41	F652201250160	1	BOOT	
42	F652201210640	1	O-RING	
43	F652201250170	2	CHECK VALVE	
44	F652201250180	1	STRAINER	
45	F652201250190	1	BOOT	
46	F652201210270	4	HEXAGONAL HEAD BOLT	
47	F652201210650	1	HAND PUMP	
48	F652201210660	1	PRESSURE TRANSDUCER B087 FUEL LOW PRESSURE CIRCUIT	
49	F652201250200	1	BALL	
50	F652201060010	1	FUEL FILTER	FUEL FILTER
51	F652201250210	1	FILTER ELEMENT	
52	F652201250220	4	HEXAGONAL HEAD BOLT	M10X55
53	F652201250230	1	JOINT TUBE	



F061244



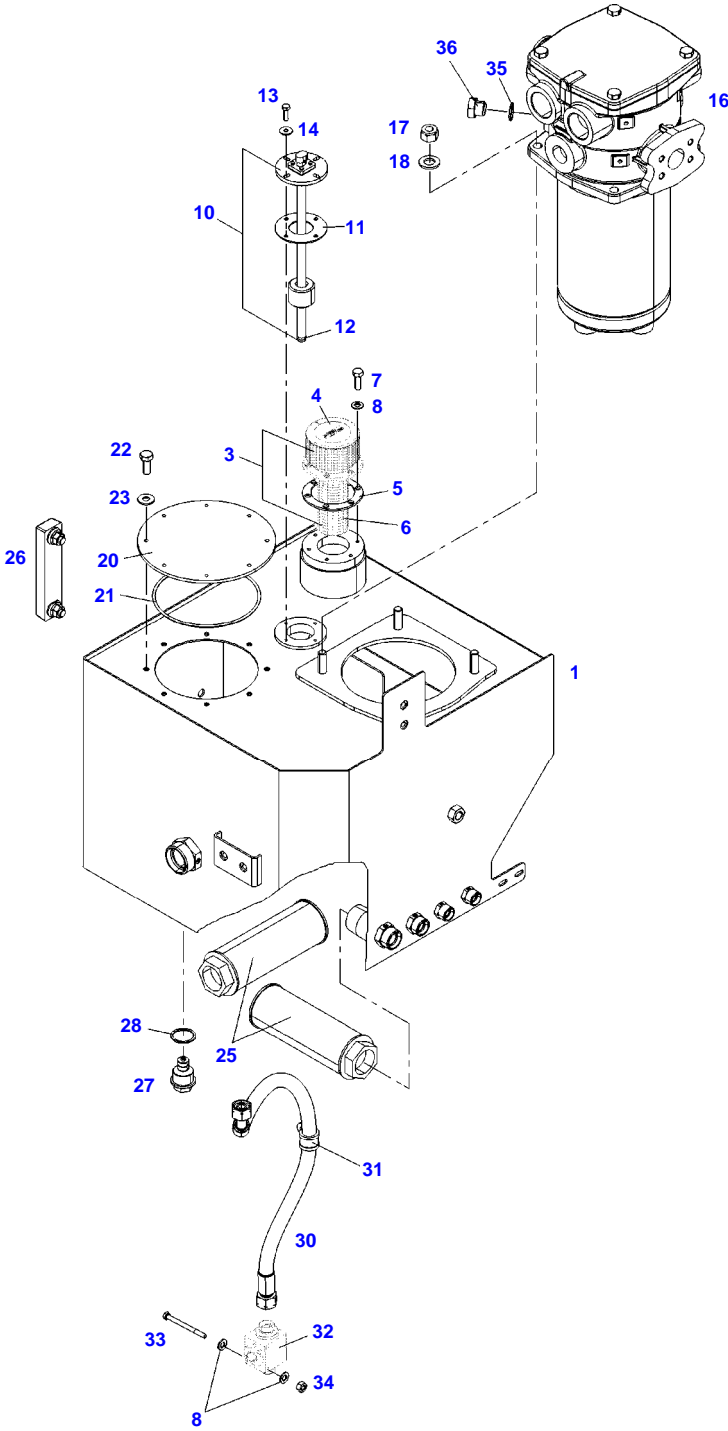
Item	Part Number	Qty	Description Comments	Technical Specification
1	G652201090020	1	AIR FILTER ><2-5	
2	652201091020	1	MAIN FILTER	
3	653201092060	1	SECONDARY FILTER	
4	F652201090010	1	FILTER LID	
5	F652201090020	1	SEALING WASHER	
6	650203090010	1	MAINTENANCE SWITCH	
10	653201092250	1	SHEET METAL	
11	653201092280	1	SHEET METAL	
12	X487531541000	4	HEXAGONAL HEAD BOLT	DIN 933 M10X25-8.8A3L
13	X522504400000	16	SPLIT WASHER	DENTED EDGE M10 FORM M-GEO321B
14	X428202839000	8	NUT	DIN 934 M10-8A3L
15	X487531941000	4	HEXAGONAL HEAD BOLT	DIN 933 M10X40-8.8A3L



F061484

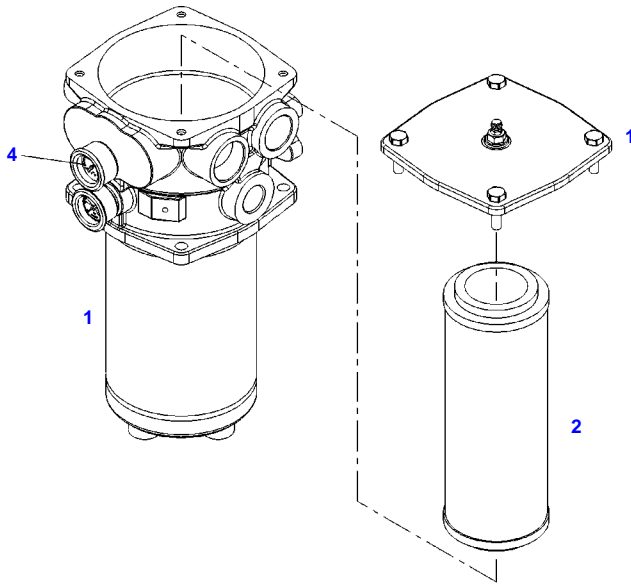


Item	Part Number	Qty	Description Comments	Technical Specification
			FROM MACHINE S/N WAM652XXX00F01301	
1	G653951600061	1	RETURN HOSE	
			>>	
	X548832201000	1	O-RING	12X2-FPM 70 FWN56402
	X548819150000	1	O-RING	9X1,5-NBR 70 FWN56402
4	X592716200000	1	T-FITTING	DIN 3908-L12-A3L
5	G653951600051	1	RETURN HOSE	
	X548819150000	2	O-RING	9X1,5-NBR 70 FWN56402
6	G652950600010	2	PRESSURE HOSE	
			>>	
	X548819150000	1	O-RING	9X1,5-NBR 70 FWN56402
	X548832201000	1	O-RING	12X2-FPM 70 FWN56402
7	X592501305000	2	SCREW NECK	DIN 3901-L15-M-ST-A3L_1
8	X592116200000	2	STRAIGHT BULKHEAD UNION	DIN3910-L12-ST-A3L
9	X435904800000	2	NUT	DIN80705-M18X1,5-11H-A3L
10	X592510800000	2	SCREW NECK	L12-G3/8A
11	524893070100	3	TUBE FITTING	
12	H650953600150	1	CHECK VALVE	RV-10-01.1/0-5BAR
13	G210952250020	1	OIL TEMPERERATURE CONTROLLER	
			>>	
	G210952251020	1	REGULATOR CARTRIDGE	
	F210952250010	1	O-RING	37X2,5MM FPM 70SHORE
14	X592301301000	1	THREADED STUD	L15-A3G
15	G653951600021	1	PRESSURE HOSE	
			>>	
	X548819150000	2	O-RING	9X1,5-NBR 70 FWN56402
16	H653951600010	1	BOOST PIPE	
17	X592501205000	1	SCREW NECK	FWN65925-L12-M18X1,5OMD-A3L 1
18	G931962025040	1	FILTER	
19	F931962025010	1	FILTER ELEMENT	
20	F931962025070	1	SEAL KIT	
22	653951600030	1	HOLDER	
23	X487520041000	4	HEXAGONAL HEAD BOLT	DIN 933-M6 X 16-8.8-A3L
24	X522503000000	6	SPLIT WASHER	DENTED EDGE M6 FORM M-GEO321B
26	X487527941000	3	HEXAGONAL HEAD BOLT	DIN 933 M8 X 25-8.8A3L
27	X450006308000	3	DISC	DIN 125-8,4-ST.A3L
28	X428202439000	3	NUT	DIN 934 M8-8A3L
29	X522503900000	3	SPLIT WASHER	DENTED EDGE M8 FORM M-GEO321B
31	X428202239000	2	NUT	DIN 934 M6-8A3L
32	X485005300000	2	SOCKET HEAD BOLT	DIN 912 M6X25-8.8 A3L
34	G653951600081	1	PRESSURE HOSE	
			>>	
	X548832201000	1	O-RING	12X2-FPM 70 FWN56402
35	X665091000000	6	CABLE STRAP	FWN 66650 B360X7,5-SW



F060662

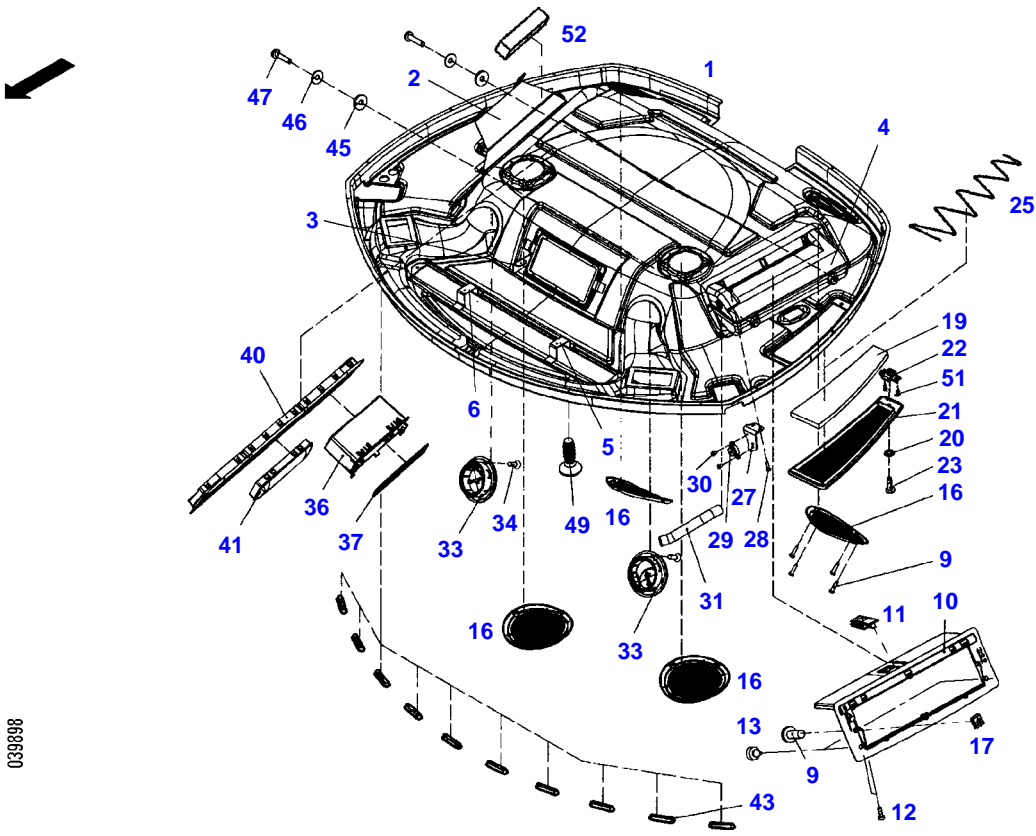
Item	Part Number	Qty	Description Comments	Technical Specification
1	H653961051011	1	HYDRAULIC TANK	
3	G916861060011	1	FILTER ><4,5,6	
4	F916861060011	1	VENTILATION FILTER	
5	F395860060030	1	FLAT SEALING WASHER	
6	F916860060020	1	INLET STRAINER ><5	
7	X487516941000	6	HEXAGONAL HEAD BOLT	DIN 933 M5X16-8.8A3L
8	X450003908000	10	DISC	DIN 125-5,3-ST.A3L
10	G650963050020	1	FUEL LEVEL SENSOR ><11,12	
11	F716970020030	1	FLANGE WASHER	
12	X548821200000	1	O-RING	D9X2,5
13	X487516941000	4	HEXAGONAL HEAD BOLT	DIN 933 M5X16-8.8A3L
14	X454303908000	4	DISC	DIN9021-5,3-140HV-A3L
16			SEE PAGE 05-0063	
17	X434103240000	4	NUT	DIN 980-VM12-8-A3L
18	X450008708000	4	DISC	DIN 125-13-ST.A3L
20	650963050150	1	COVER	
21	X549017500000	1	O-RING	149X4-NBR 70-FWN56402
22	X487520041000	8	HEXAGONAL HEAD BOLT	DIN 933-M6 X 16-8.8-A3L
23	X522503000000	8	SPLIT WASHER	DENTED EDGE M6 FORM M-GEO321B
25	H650963050050	2	SUCTION FILTER L=250MM	
26	G653961050030	1	OIL LEVEL INDICATOR	
27	H716151150010	1	MAGNETIC FILTER	
28	X540009478000	1	SEALING WASHER	DIN 7603 A30X36-CU
30	G653961051020	1	RETURN HOSE	
31	X459076400000	1	PIPE CLAMP	
32	X597805101000	1	2-WAY BALL VALVE BLOCK	
33	X486518400000	2	SCREW	DIN 931 M5X60-8.8-A3L
34	X428202039000	2	NUT	DIN 934 M5-8A3L
35	X540004078000	1	SEALING WASHER	DIN 7603 A14X18-CU
36	X494203800000	1	PLUG	DIN 7604 AM14X1,5-A3L



051709

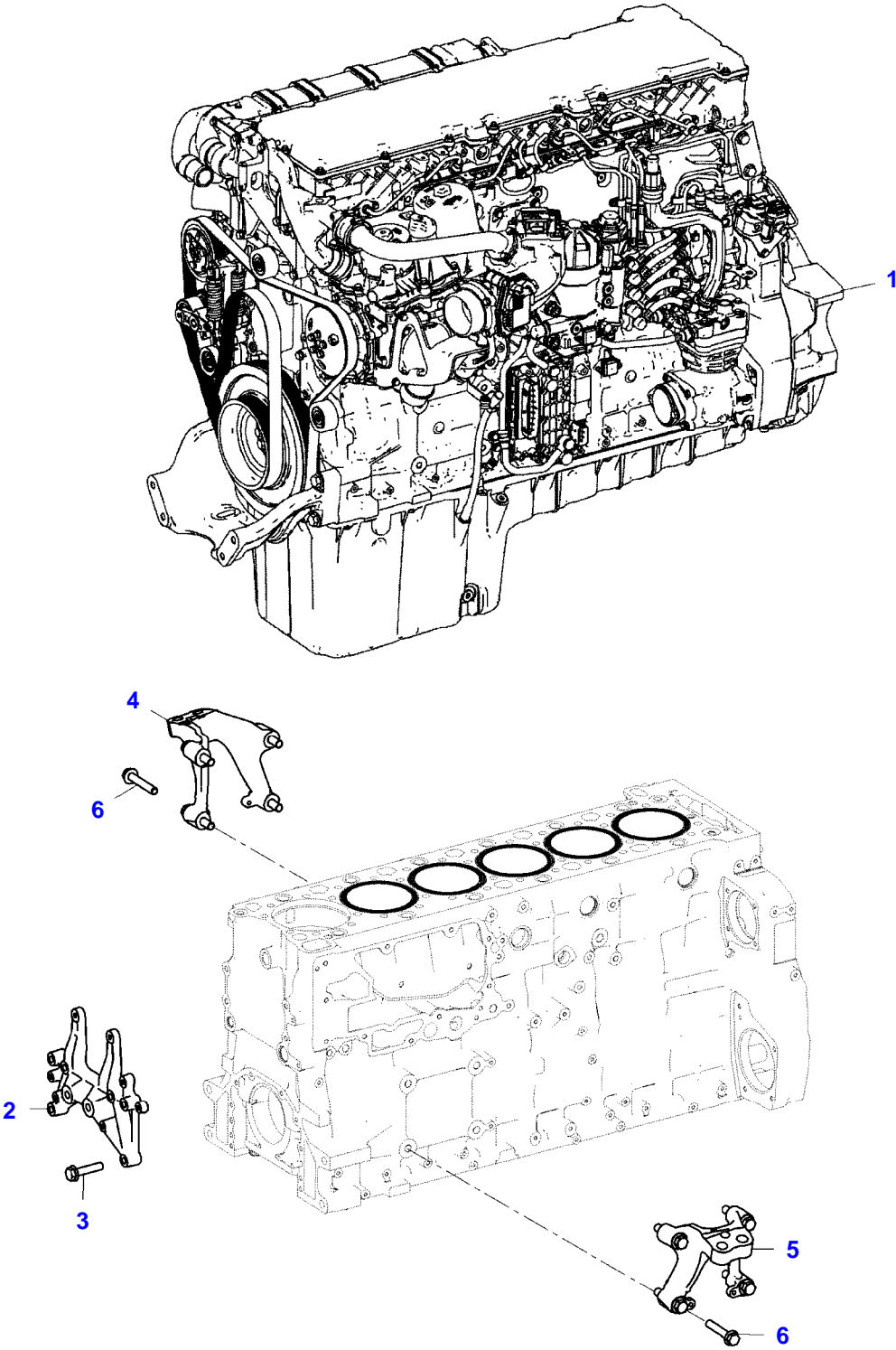


Item	Part Number	Qty	Description Comments
1	G653961050041	1	FILTER ><2-4
	F653961050020	1	DIVIDER
	F650963050060	1	SEAL KIT
2	F650963050010	1	FILTER CARTRIDGE
4	F650963050040	1	PRESSURE GAUGE



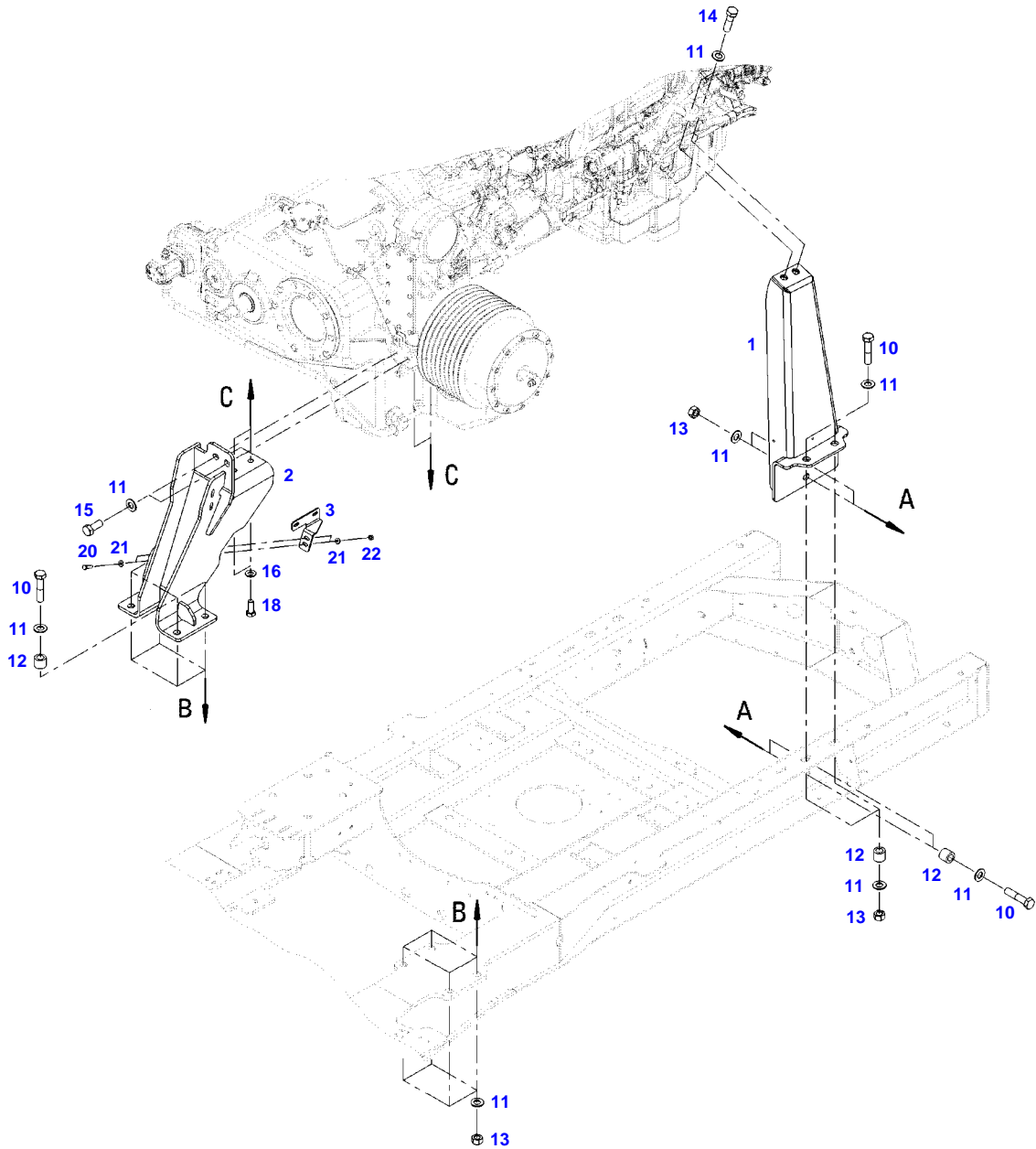
039898

Item	Part Number	Qty	Description Comments	Technical Specification
1	E650813080021	1	HEADLINING ><2-6	
2	F650813360580	1	RADIO BRACKET	
3	F650813360590	1	BRACKET	
4	F650813360600	1	COOL BOX	
5	F650813360610	1	RETAINING BRACKET	
6	F650813360620	1	RETAINING BRACKET	
9	X493808805000	6	SCREW	DIN 7981 ST4,2X19-C-H-A3L
10	G931812080113	1	COVER ><11-13	
11	931812080350	1	CATCH	
12	X473512001000	2	SCREW	KST-3,5X10
13	816810260061	2	PLUG STOPPER	
16	737812080220	4	SPEAKER	
17	X435721901000	2	SPEED NUT	4,2 ZN PASS
19	F650810020010	1	AIR FILTER	
20	F650813360680	1	LOCK WASHER	
21	F650813360670	1	GRATE	
22	F650813360690	1	CATCH	
23	F650813360700	1	CATCH	
25	F650813360750	1	WIRE	
27	F650813360710	1	RETAINING PLATE	
28	F650813360230	2	SCREW	
29	F650813360720	1	DAMPER	
30	X493801305000	2	SCREW	DIN 7981 ST2,9X6,5-C-H-A3
31	X665966500400	1	CORRUGATED PIPE	L=400 FWN66659 NW22-PA6
33	F650813360650	2	NOZZLE	
34	X493903100000	8	SCREW	DIN 7982 ST3,5X16-C-A3L
36	737812080260	1	STORAGE COMPARTMENT	
37	737812080290	1	NETWORK	
40	F650813080010	1	RADIO TRIM	
41	931812080300	1	COVER	
43	F650813360660	10	NOZZLE	
45	F650813360730	2	DISC	
46	X454305108000	2	DISC	DIN9021-6,4-140HV-A3L
47	X495923001000	2	OVAL HEAD SCREW	DIN 7985 M6X30-4.8A3L
49	F650813360740	15	SCREW	
51	X444908101000	2	POP RIVET	3X8
52	F650813020010	2	SEALING PROFILE	5M



18062526-M-1

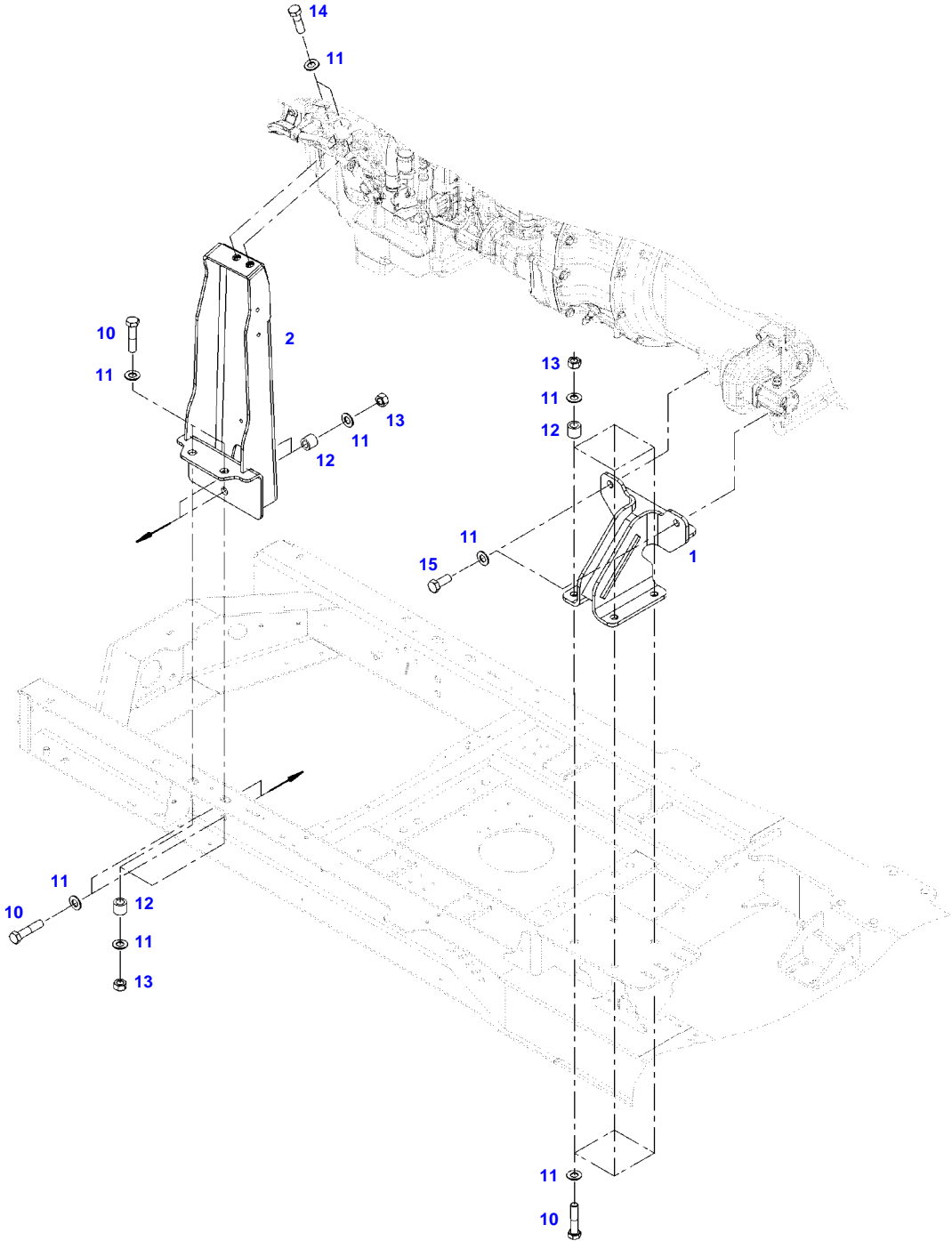
Item	Part Number	Qty	Description Comments	Technical Specification
1	E652201010010	1	DIESEL ENGINE	F652 KATANA65 S4
2	F652201240080	1	BRACKET	
3	F652201230600	6	HEXAGONAL HEAD BOLT	M10X45
4	F652201240090	1	BRACKET	RH
5	F652201240100	1	BRACKET	LH
6	F652201240110	8	HEXAGONAL HEAD BOLT	M16X1,5X80



F060287



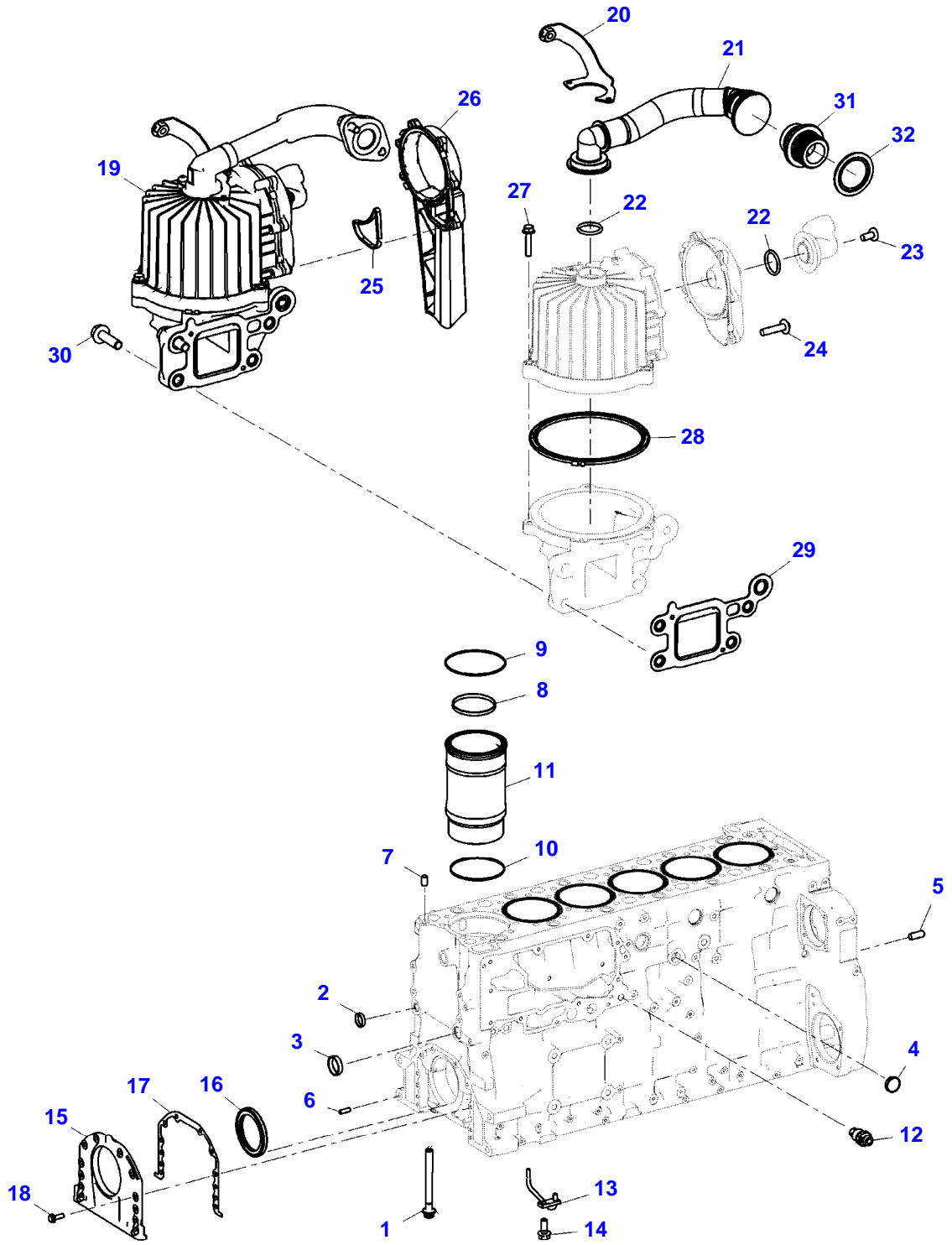
Item	Part Number	Qty	Description Comments	Technical Specification
1	H652201031021	1	CARRIER	
2	H652201030060	1	BRACKET	
3	652201031100	1	BRACKET	
10	X486555702000	8	HEXAGONAL HEAD BOLT	DIN 931 M20X90-10.9-OB3
11	X522507800000	20	SPLIT WASHER	DENTED EDGE M20 FORM M-GEO321B
12	650503531120	8	BUSH	
13	X428205005000	8	NUT	DIN 934 M20-10 A3L
14	X487555200000	2	HEXAGONAL HEAD BOLT	DIN 933 M20X65-10.9-OB3
15	X487554901000	2	HEXAGONAL HEAD BOLT	DIN933-M20X50-10.9-OB
16	X522506600000	2	SPLIT WASHER	DENTED EDGE M16 FORM M-GEO321B
18	X485029302000	2	SOCKET HEAD BOLT	DIN 912 M16X40 10.9-GEO500A
20	X487528105000	2	HEXAGONAL HEAD BOLT	DIN 933 M8X30-8.8
21	X522503900000	4	SPLIT WASHER	DENTED EDGE M8 FORM M-GEO321B
22	X428202439000	2	NUT	DIN 934 M8-8A3L



F060288

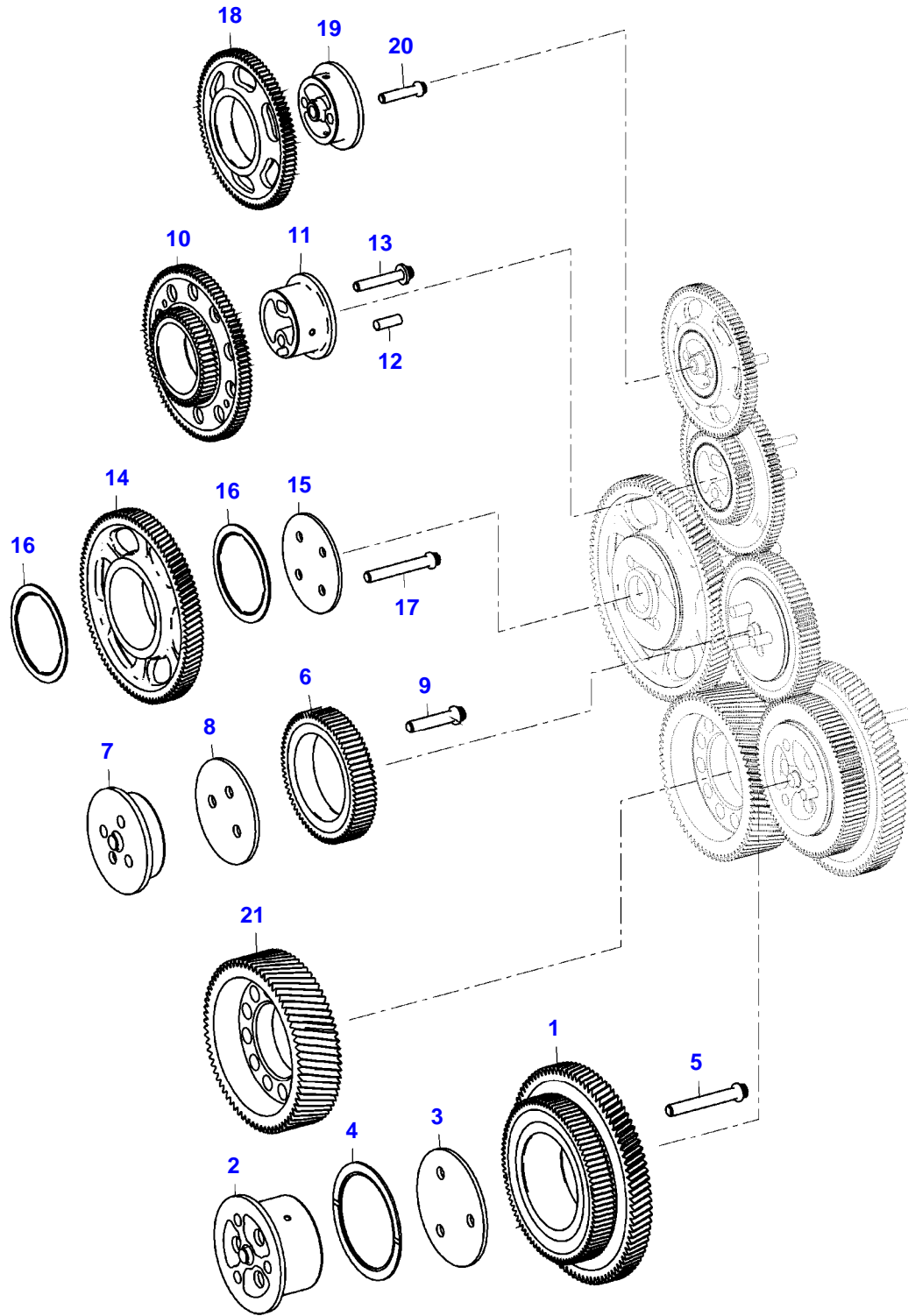


Item	Part Number	Qty	Description Comments	Technical Specification
1	H652201030050	1	CARRIER	
2	H652201031040	1	CARRIER	
10	X486555702000	8	HEXAGONAL HEAD BOLT	DIN 931 M20X90-10.9-OB3
11	X522507800000	20	SPLIT WASHER	DENTED EDGE M20 FORM M-GEO321B
12	650503531120	8	BUSH	
13	X428205005000	8	NUT	DIN 934 M20-10 A3L
14	X486555200000	2	HEXAGONAL HEAD BOLT	DIN 931-M20X65-10.9
15	X487554901000	2	HEXAGONAL HEAD BOLT	DIN933-M20X50-10.9-OB



18062530-M-1

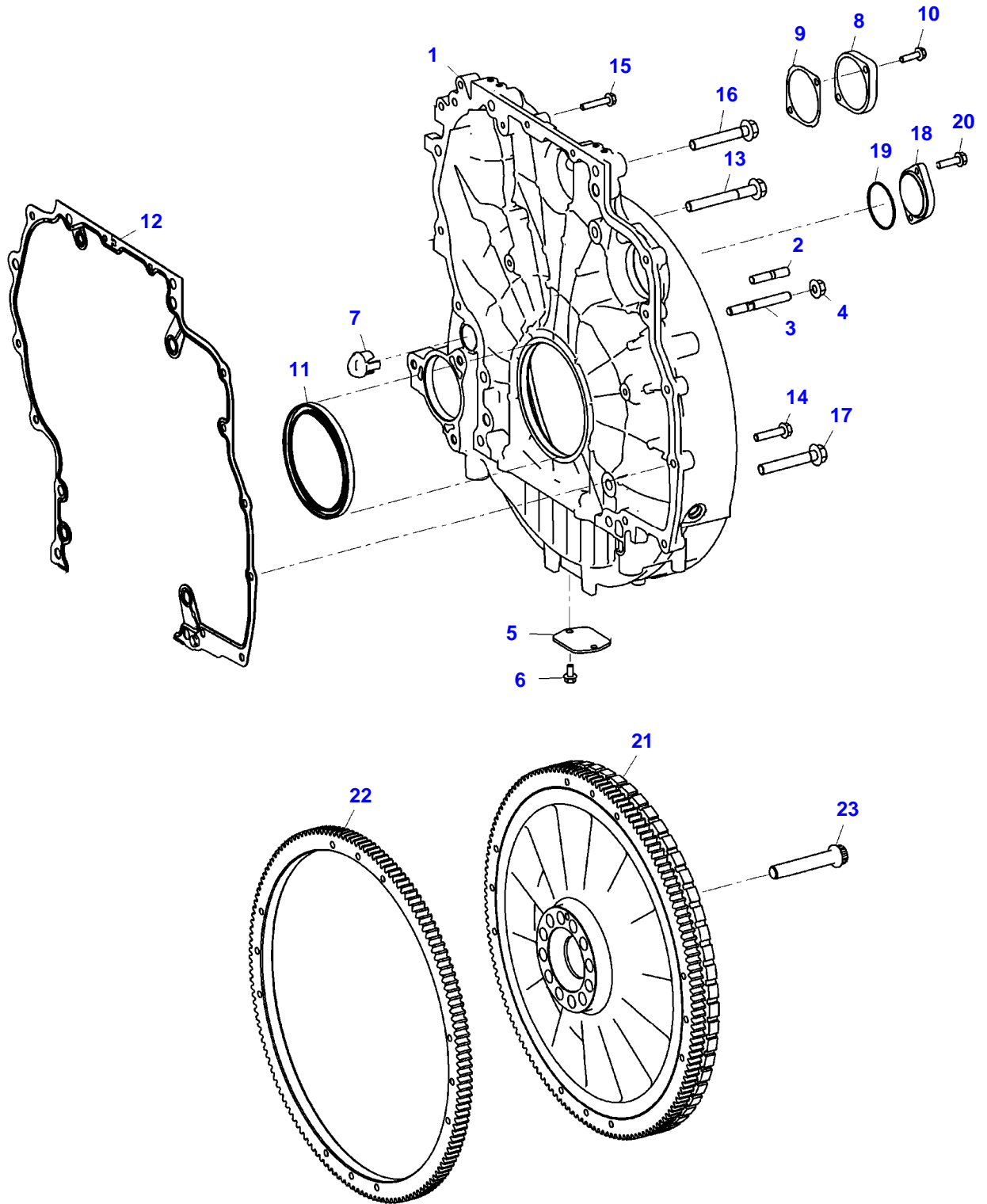
Item	Part Number	Qty	Description Comments	Technical Specification
1	F652201220090	14	SCREW	
2	F652201220100	2	CAP COVER	
3	F652201220110	2	CAP COVER	
4	F652201220120	1	CAP COVER	
5	F652201220130	2	DOWEL	16X40
6	F652201220140	2	DOWEL	
7	F652201220150	2	DOWEL	16X24
8	F652201220160	6	SCRAPER RING	
9	F652201220180	6	O-RING	
10	F652201220190	6	O-RING	
11	F652201220210	6	CYLINDER LINER	
12	F652201220220	1	PLUG SCREW	
13	F652201220230	6	OIL SPLASH NOZZLE	
14	F652201220240	6	HEXAGONAL HEAD BOLT	M8X20
15	F652201220250	1	HALF HOUSING	
16	F652201210330	1	SHAFT SEAL	
17	F652201210340	1	GASKET	
18	F652201220260	8	HEXAGONAL HEAD BOLT	M10X30
19	F652201220270	1	OIL SEPARATOR	
20	F652201220280	1	HOLDER	
21	F652201220290	1	BREATHER LINE	
22	F652201220300	1	O-RING	
23	F652201220310	2	SCREW	
24	F652201220320	7	SCREW	
25	F652201220330	1	GASKET	
26	F652201220340	1	LID	
27	F652201220350	3	SCREW	
28	F652201220360	1	GASKET	
29	F652201220370	1	GASKET	
30	F652201220380	4	HEXAGONAL HEAD BOLT	
31	F652201220390	1	SCREW NECK	
32	F652201220400	1	SEALING WASHER	



18062531-M-1

GEARS

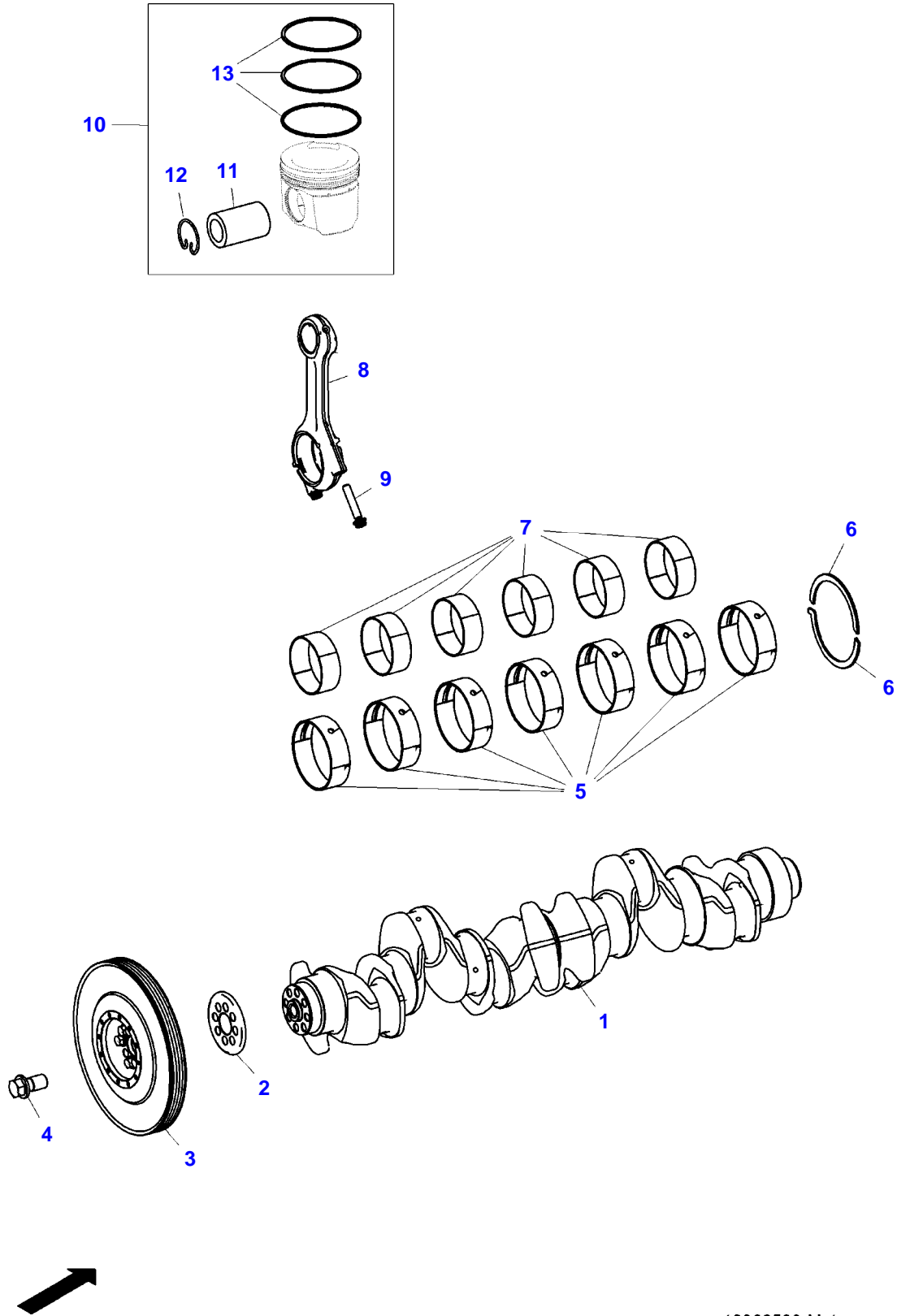
Item	Part Number	Qty	Description Comments
1	F652201250500	1	GEAR,IDLER
2	F652201250510	1	JOURNAL
3	F652201250520	1	BEARING COVER
4	F652201250530	2	START-UP BUSH
5	F652201250540	3	SCREW
6	F652201250550	1	GEAR,IDLER
7	F652201250560	1	JOURNAL
8	F652201250570	1	BEARING COVER
9	F652201250580	3	SCREW
10	F652201250590	1	GEAR,IDLER
11	F652201250600	1	JOURNAL
12	F652201250610	1	DOWEL
13	F652201250620	2	SCREW
14	F652201250630	1	GEAR,IDLER
15	F652201250640	1	BEARING COVER
16	F652201250530	2	START-UP BUSH
17	F652201250540	4	SCREW
18	F652201250650	1	GEAR,IDLER
19	F652201250660	1	JOURNAL
20	F652201250670	2	SCREW
21	F652201250680	1	CRANKSHAFT GEAR



18062532-M-1

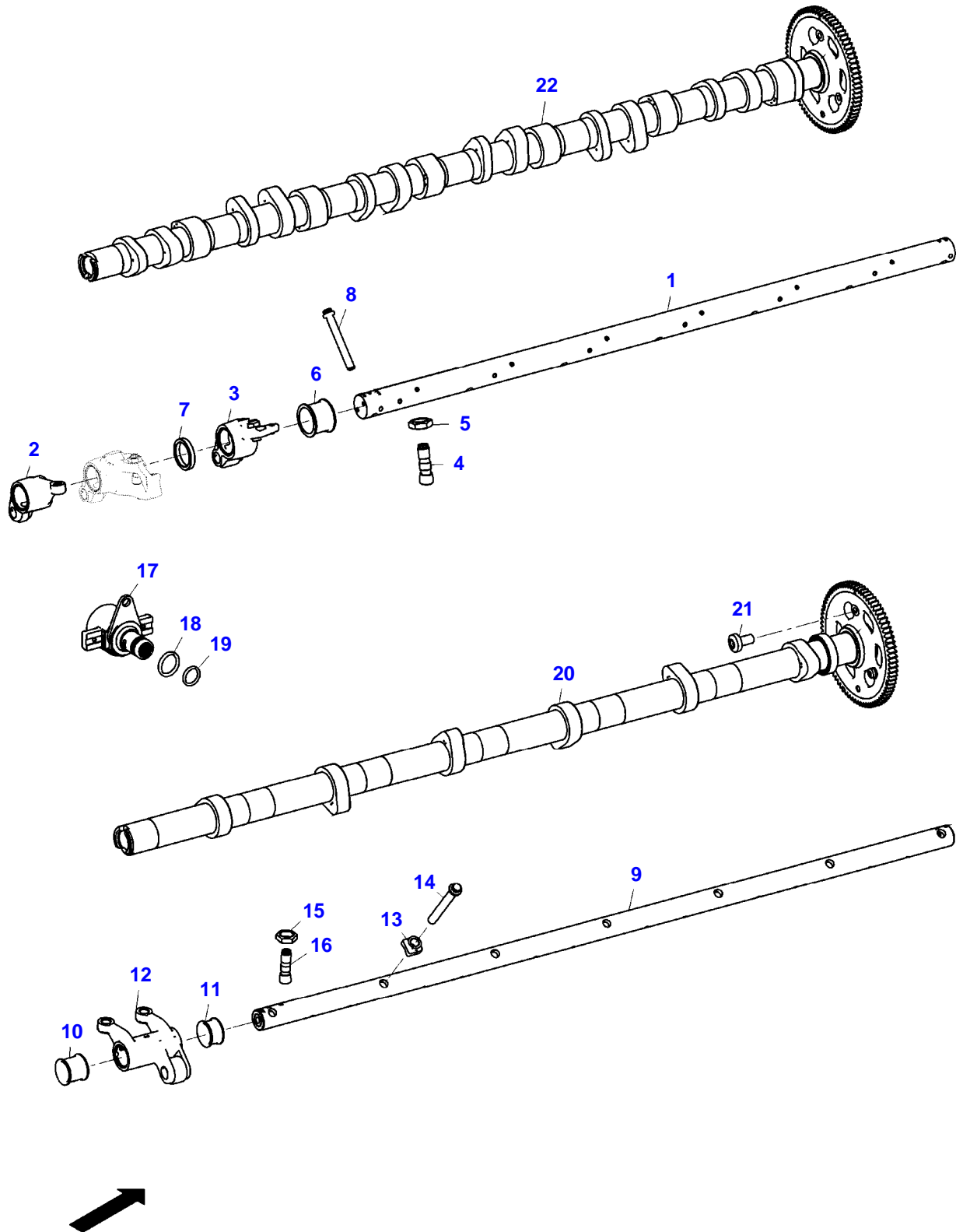
FLYWHEEL AND HOUSING

Item	Part Number	Qty	Description Comments	Technical Specification
1	F652201230610	1	FLYWHEEL HOUSING	
2	F652201230620	2	SCREW	M12X35
3	F652201230630	1	SCREW	
4	F652201230640	1	HEX NUT	
5	F652201230650	1	LID LOCK	
6	F652201220730	2	HEXAGONAL HEAD BOLT	M8X16
7	F652201230660	1	LID LOCK	
8	F652201230670	1	LID LOCK	
9	F652201230680	1	PROFILE SEAL	
10	F652201210270	2	HEXAGONAL HEAD BOLT	
11	F652201210350	1	SHAFT SEAL	
12	F652201210360	1	GASKET	
13	F652201230690	1	HEXAGONAL HEAD BOLT	M14X1,5X110
14	F652201230490	2	HEXAGONAL HEAD BOLT	M8X45
15	F652201230600	7	HEXAGONAL HEAD BOLT	M10X45
16	F652201230700	2	HEXAGONAL HEAD BOLT	M14X1,5X90
17	F652201230700	5	HEXAGONAL HEAD BOLT	M14X1,5X90
18	F652201230710	1	LID LOCK	
19	F652201230720	1	GASKET	
20	F652201220380	1	HEXAGONAL HEAD BOLT	
21	F652201230730	1	FLYWHEEL	
22	F652201230740	1	STARTER RING	
23	F652201230750	12	SCREW	M16X87



CRANKSHAFT AND PISTONS

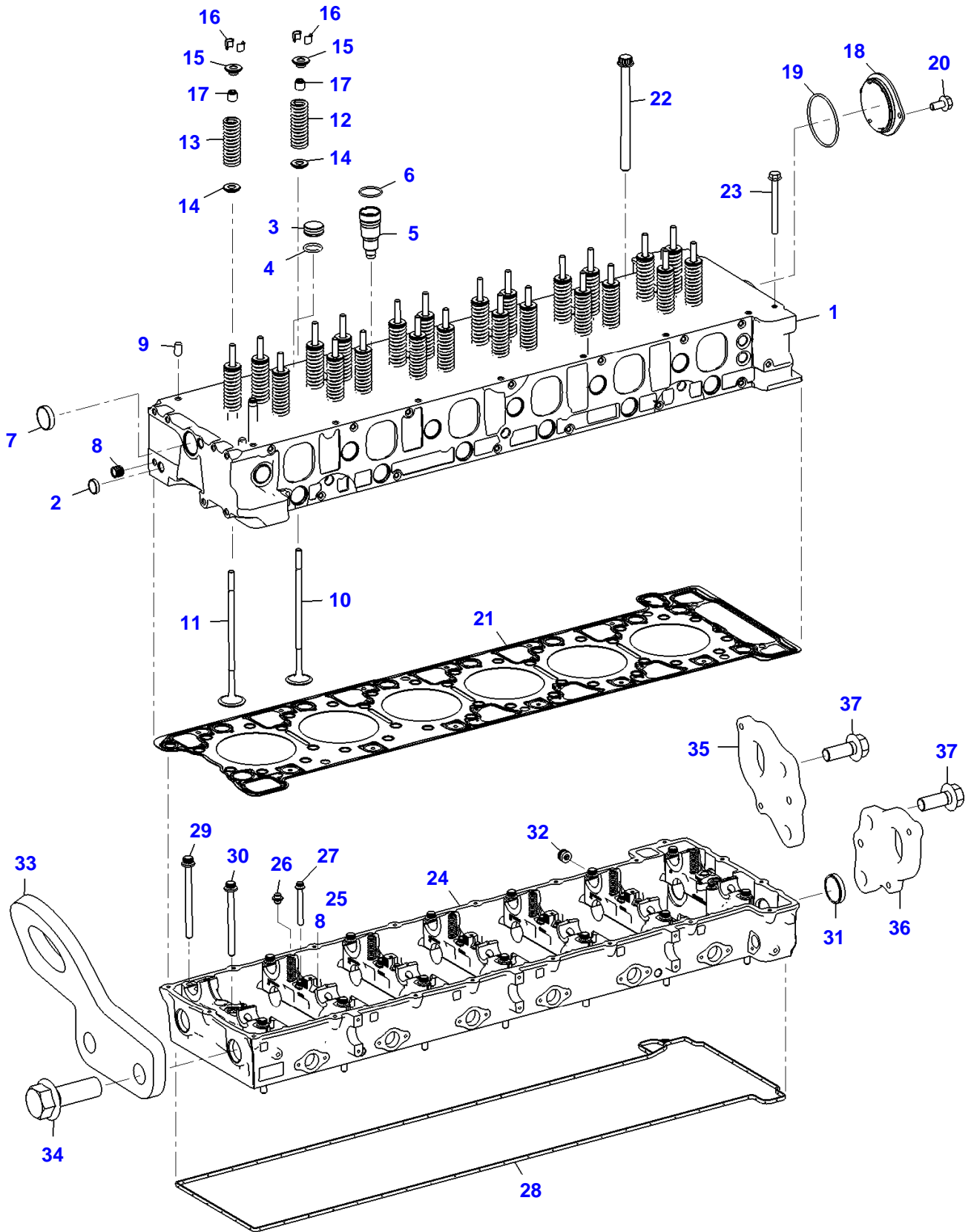
Item	Part Number	Qty	Description Comments
1	F652201220830	1	CRANKSHAFT
2	F652201220840	1	SLINGER
3	F652201220850	1	CRANKSHAFT VIBRATION DAMPENER
4	F652201220860	8	HEXAGONAL HEAD BOLT
5	F652201220870	7	MAIN BEARING
6	F652201220880	1	LOCATING BEARING
7	F652201220890	6	CONROD BEARING
8	F652201220900	6	PISTON ROD
9	F652201220910	12	CONNECTING ROD BOLT
10	F652201220920	6	PISTON
11	F652201220930	6	PISTON PIN
12	F652201220940	6	LOCK WASHER
13	F652201220950	6	PISTON RING



18062534-M-1

Item	Part Number	Qty	Description Comments	Technical Specification
1	F652201230060	1	ROCKER SHAFT	
2	F652201230070	6	ROCKER ARM	
3	F652201230080	6	ROCKER ARM	
4	F652201230090	12	THREAD BOLT	
5	F652201230100	12	NUT	
6	F652201230110	6	SHIM	
7	F652201230120	6	SHIM	
8	F652201230130	7	SCREW	
9	F652201230140	1	ROCKER SHAFT	
10	F652201230150	6	DINSTANCE SLEEVE	
11	F652201230160	6	DINSTANCE SLEEVE	
12	F652201230170	6	ROCKER ARM	
13	F652201230180	7	TENSIONING DEVICE	
14	F652201230130	7	SCREW	
15	F652201230100	12	NUT	
16	F652201230090	12	THREAD BOLT	
17	F652201230190	2	SOLENOID VALVE	
18	F652201230200	1	O-RING	
19	F652201230210	1	O-RING	
20	F652201230220	1	CAMSHAFT	
21	F652201230230	3	HEXAGONAL HEAD BOLT	M6X12
22	F652201230240	1	CAMSHAFT	

FENDT KATANA 65 S4 (652/00101-01100) (WAM652XXX00F01101-99999)
18344657-M-2





Suggest:

For more complete manuals. Please go to the home page.

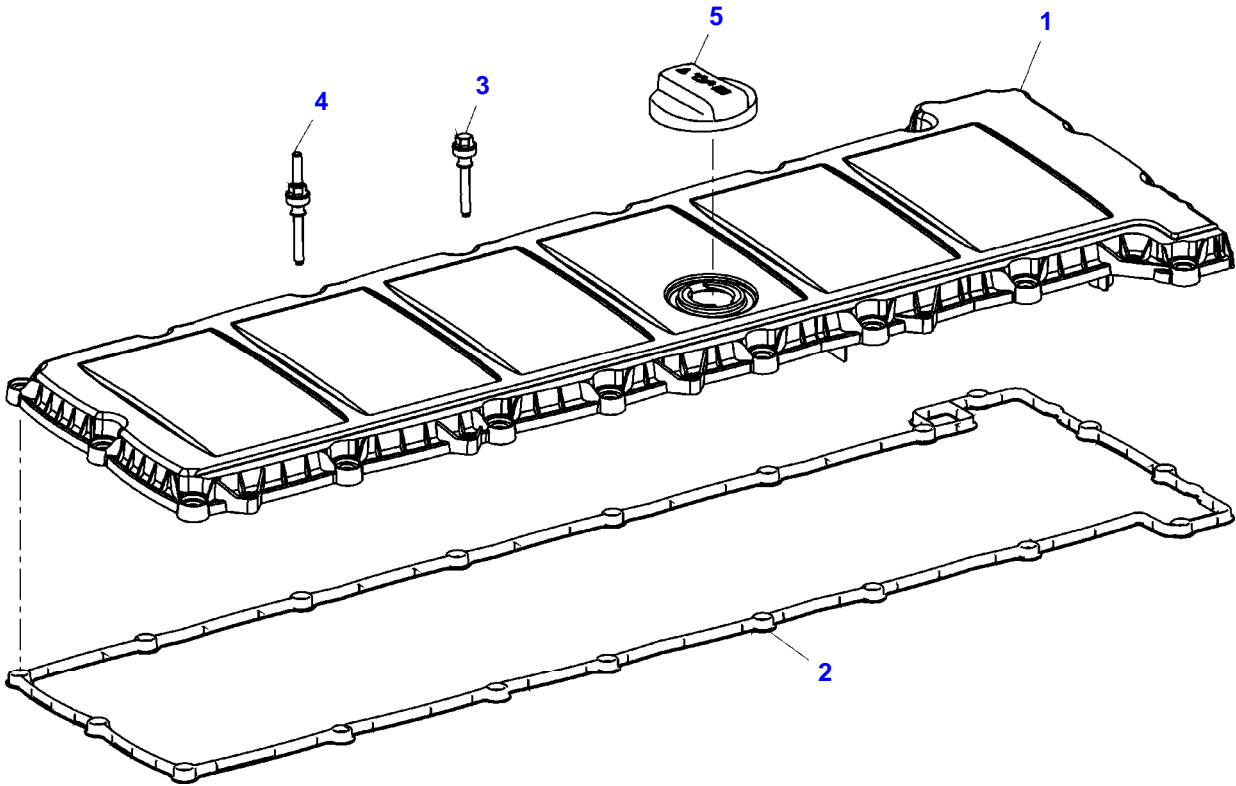
<https://www.ebooklibonline.com>

If the above button click is invalid. Please download this document first, and then click the above link to download the complete manual.

Thank you so much for reading

CYLINDER HEAD AND VALVES

Item	Part Number	Qty	Description Comments	Technical Specification
1	F652201230760	1	CYLINDER HEAD	
2	F652201230770	1	CAP COVER	
3	F652201230780	6	CAP COVER	
4	F650203210520	1	SEAL RING	
5	F652201230790	6	PROTECTING TUBE	
6	F652201230800	6	O-RING	
7	F652201220120	2	CAP COVER	
8	F652201230810	4	CAP COVER	
9	F652201230820	2	DOWEL	M6X22
10	F652201230830	12	INLET VALVE	
11	F652201230840	12	EXHAUST VALVE	
12	F652201230850	12	VALVE SPRING	
13	F652201230860	12	VALVE SPRING	
14	F652201230870	24	WASHER	
15	F652201230880	24	SPRING SEAT	
16	F652201230890	48	VALVE CONE	
17	F652201230900	24	GASKET	
18	F652201230910	1	CAP COVER	
19	F652201230920	1	O-RING	
20	F652201220730	2	HEXAGONAL HEAD BOLT	M8X16
21	F652201210400	1	CYLINDER HEAD GASKET	
22	F652201210410	38	SCREW	
23	F652201230930	2	HEXAGONAL HEAD BOLT	M10X100
24	F652201230940	1	HOUSING	
25	F652201230950	6	DOWEL	8X16
26	F652201230960	2	SPRING GUIDE	
27	F652201230970	7	SCREW	
28	F652201210420	1	CYLINDER HEAD GASKET	
29	F652201230980	14	SCREW	
30	F652201230990	7	SCREW	
31	F652201240010	5	CAP COVER	
32	F652201240020	2	CAP COVER	10X6,8
33	F652201240030	1	LUG	
34	F652201240040	2	HEXAGONAL HEAD BOLT	M14X1,5X40
35	F652201240050	1	LUG	
36	F652201240060	1	LUG	
37	F652201240070	4	HEXAGONAL HEAD BOLT	M16X1,5X80



18062535-M-1

<https://www.ebooklibonline.com>

Hello dear friend!

Thank you very much for reading.

Enter the link into your browser.

The full manual is available for immediate download.

<https://www.ebooklibonline.com>