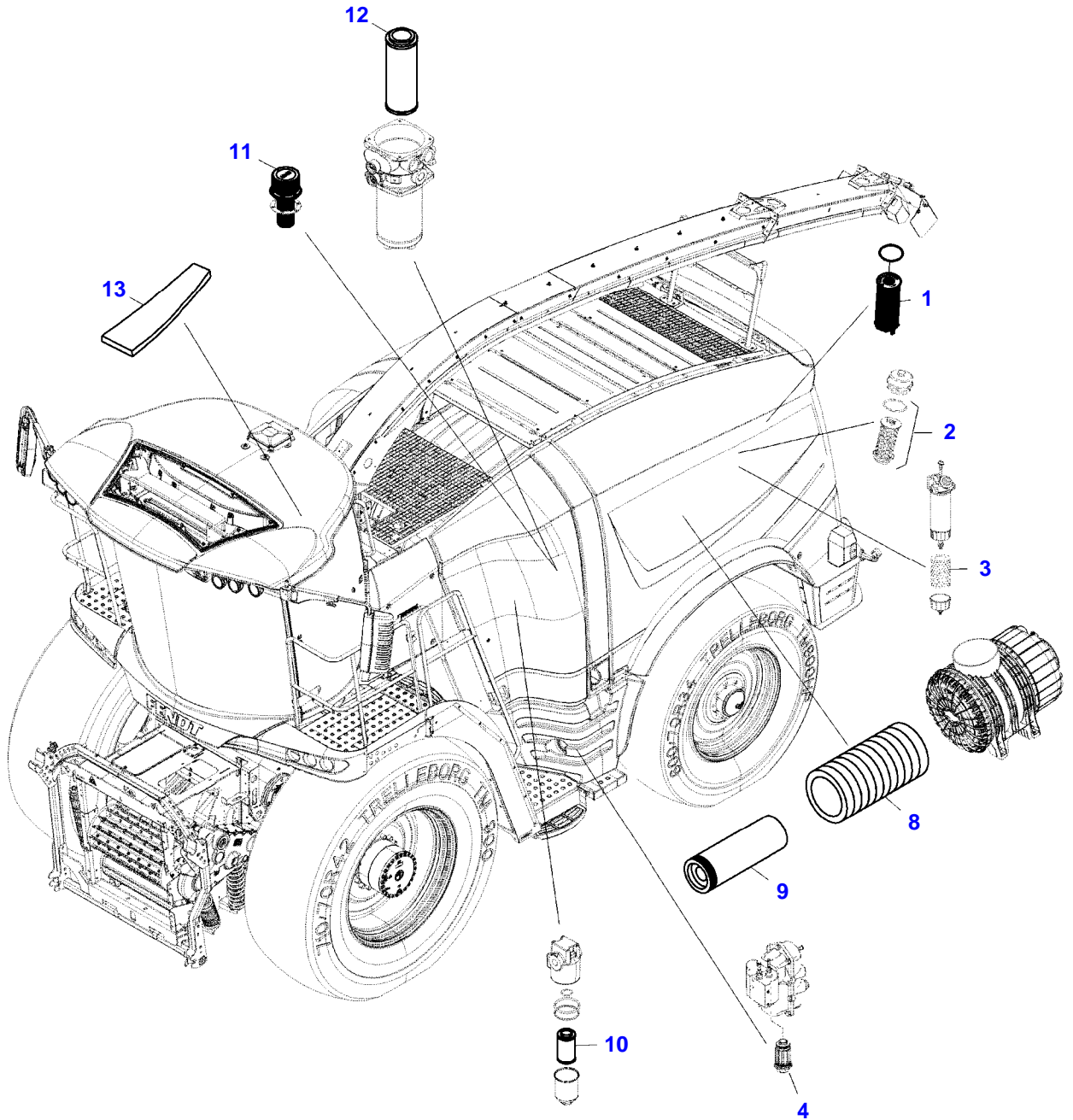


Page Number	Page Title	Page Reference
01-000-TOC	ENGINE, FUEL AND EXHAUST SYSTEM	01-000-TOC
02-000-TOC	DRIVE SYSTEM	02-000-TOC
03-000-TOC	AXLES	03-000-TOC
04-000-TOC	COMPRESSED AIR SYSTEM	04-000-TOC
05-000-TOC	HYDRAULIC SYSTEM	05-000-TOC
06-000-TOC	ELECTRICAL SYSTEM	06-000-TOC
07-000-TOC	CAB	07-000-TOC
08-000-TOC	AIR CONDITIONING AND HEATING SYSTEM	08-000-TOC
09-000-TOC	CHASSIS	09-000-TOC
10-000-TOC	WHEELS	10-000-TOC
11-000-TOC	INFEED	11-000-TOC
12-000-TOC	CHOPPING SYSTEM	12-000-TOC
13-000-TOC	UNLOADING SYSTEM	13-000-TOC
14-000-TOC	HARVEST DRIVE TRAIN SYSTEM	14-000-TOC
15-000-TOC	CENTRAL LUBRICATION SYSTEM	15-000-TOC
16-000-TOC	PRECISION FARMING SYSTEMS	16-000-TOC
17-000-TOC	ACCESSORIES	17-000-TOC

FENDT KATANA 65 (650/01001-99999)
18382938-M-1



18382938-M-1

Item	Part Number	Qty	Description Comments
1	F650203510010	1	FILTER ELEMENT OIL FILTER SEE PAGE 01-0015
2	F650203060010	1	FILTER BOX FUEL FILTER SEE PAGE 01-0018
3	F650203060030	1	FILTER BOX PRE FUEL FILTER SEE PAGE 01-0018
4	F650203110010	1	FILTER ELEMENT ADBLUE SEE PAGE 01-0069
8	H650203090100	1	FILTER CARTRIDGE PRIMARY AIR FILTER SEE PAGE 01-0058
9	H650203090150	1	SAFETY CARTRIDGE SECONDARY FILTER SEE PAGE 01-0058
10	F931962025010	1	FILTER ELEMENT TUBES TRANSMISSION OIL COOLER SEE PAGE 05-0041
11	F916861060011	1	VENTILATION FILTER HYDRAULIC OIL TANK SEE PAGE 05-0053
12	F650963050010	1	FILTER CARTRIDGE HYDRAULIC OIL TANK SEE PAGE 05-0054
13	F650810020010	1	AIR FILTER CAB SEE PAGE 07-0006

<https://www.ebooklibonline.com>

Hello dear friend!

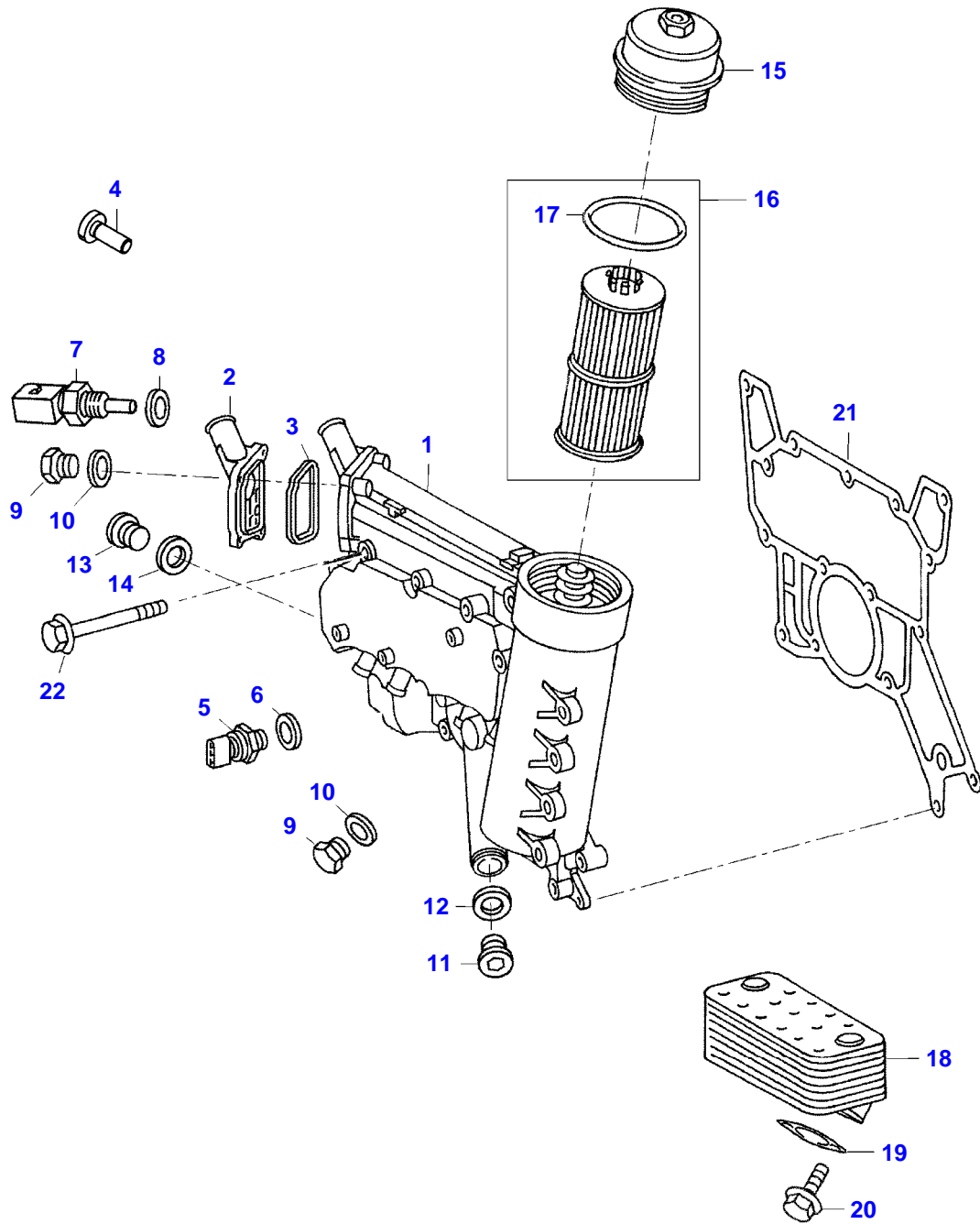
Thank you very much for reading.

Enter the link into your browser.

The full manual is available for immediate download.

<https://www.ebooklibonline.com>

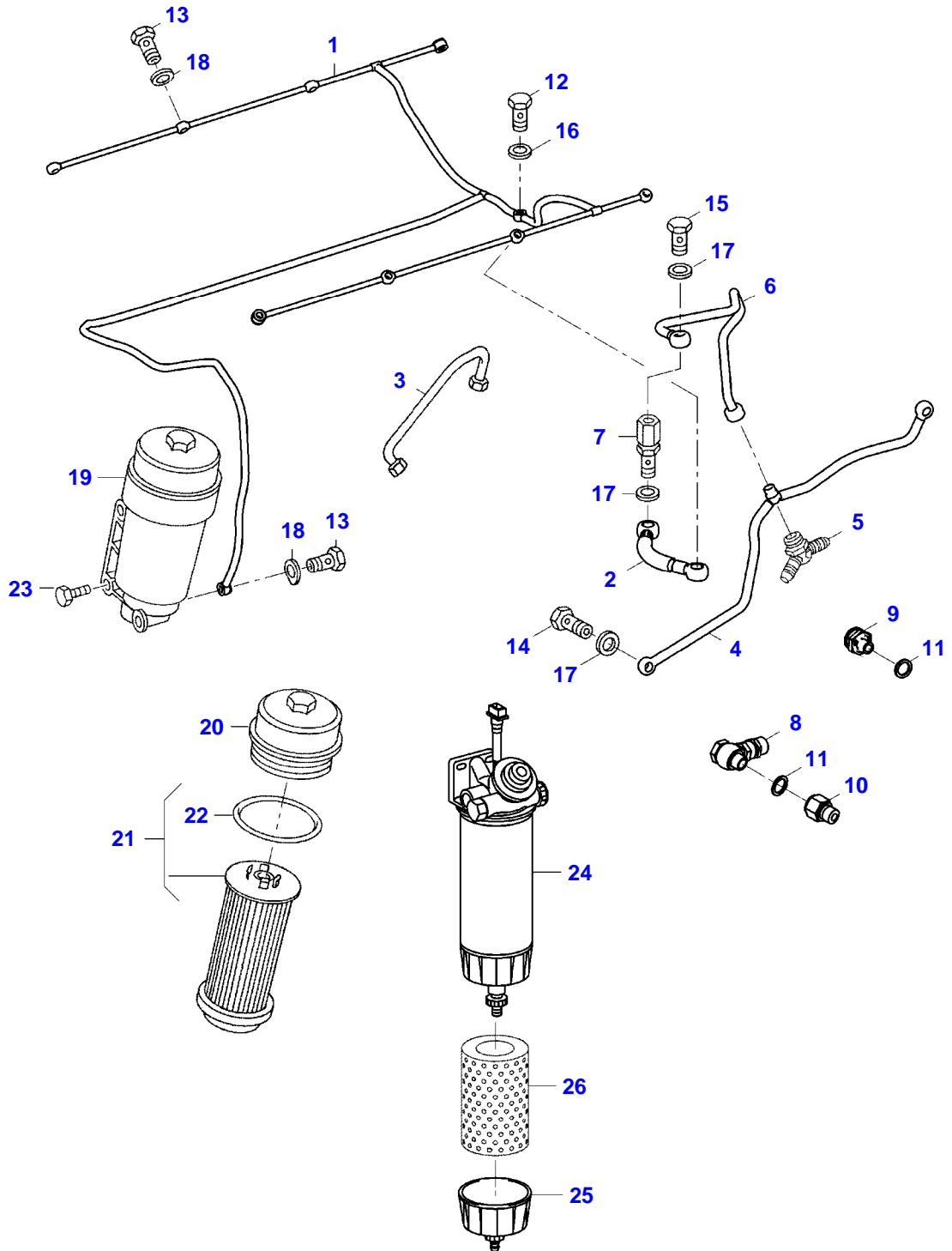
FENDT KATANA 65 (650/01001-99999)
18382988-M-1



18382988-M-1

Item	Part Number	Qty	Description Comments	Technical Specification
1	F650203220700	1	OIL COOLER HOUSING	
2	F650203240770	1	SOCKET	
3	F650203220710	1	GASKET	
4	F650203220890	4	HEXAGONAL HEAD BOLT	M6X16
5	F652201210170	1	PRESSURE TRANSDUCER ENGINE OIL PRESSURE B090	
6	F652201210940	1	SEALING WASHER	
7	F650203230610	1	SENDER COOLING WATER TEMPERATURE B204	
8	F652201210590	2	SEALING WASHER	
9	F650203250290	1	PLUG SCREW	M14X1,5
10	F652201210590	1	SEALING WASHER	
11	F652201240520	1	PLUG SCREW	M33
12	F652201240530	1	SEALING WASHER	M33
13	F650203230970	1	PLUG SCREW	
14	F652201240280	1	SEALING WASHER	
15	F650203240730	1	LID	
16	F650203510010	1	FILTER ELEMENT	
17	F652201240440	1	SEALING WASHER	
18	F650203220720	1	OIL COOLER	
19	F650203220730	2	SEAL	
20	F652201240140	4	HEXAGONAL HEAD BOLT	M8X50
21	F650203240760	1	GASKET	
22	F650203250430	8	HEXAGONAL HEAD BOLT	M10X110

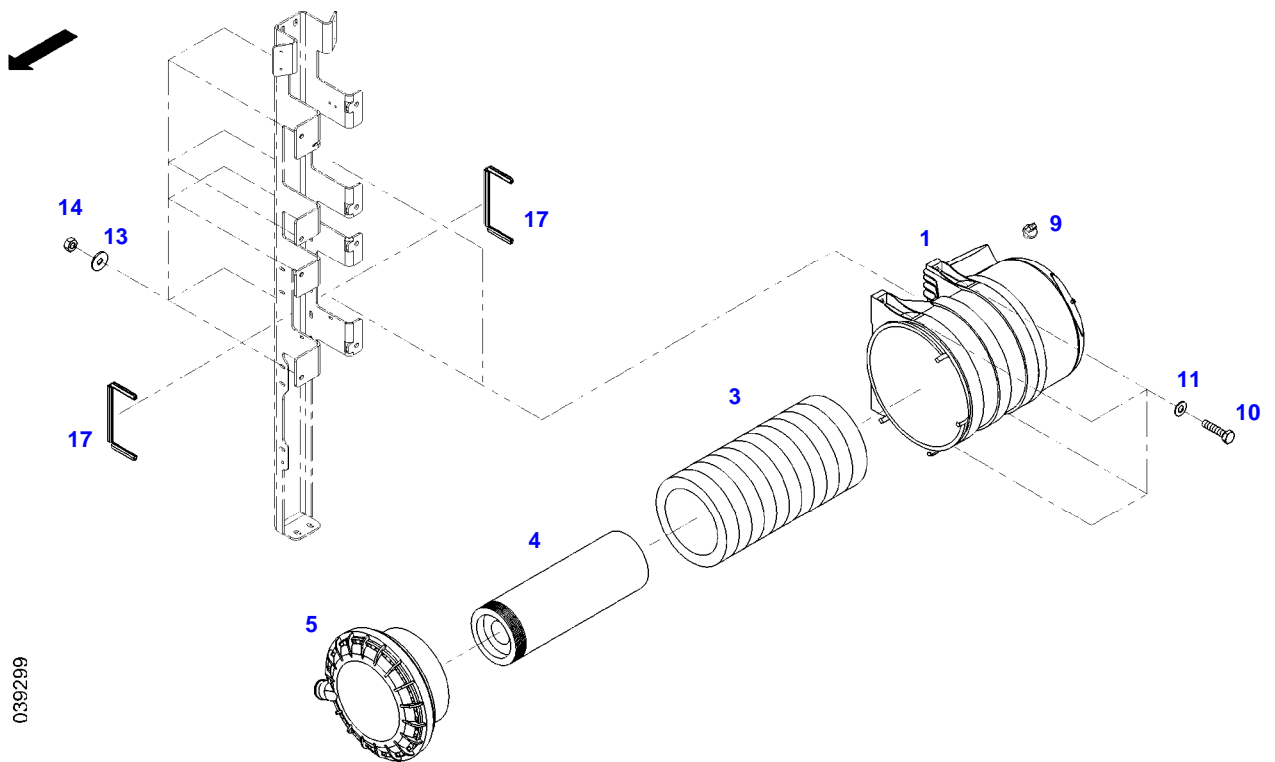
FENDT KATANA 65 (650/01001-99999)
18383000-M-1



18383000-M-1

Item	Part Number	Qty	Description Comments	Technical Specification
1	F650203210870	1	LINE	
2	F650203210880	1	LINE	
3	F650203210890	8	LINE	
4	F650203210900	1	LINE	
5	F650203230420	1	CONNECTING PART	
6	F650203210910	1	LINE	
7	F650203240520	1	VALVE	
8	F650203250300	1	VALVE	
9	F650203240550	1	VALVE	
10	F650203230730	1	SOCKET	
11	F652201210940	1	SEALING WASHER	
12	F650203210960	1	BANJO BOLT	
13	F650203210970	1	BANJO BOLT	
14	F650203210980	1	BANJO BOLT	
15	F650203210980	1	BANJO BOLT	
16	F652201210940	1	SEALING WASHER	
17	F652201210940	1	SEALING WASHER	
18	F650203220010	1	SEALING RING	
19	F650203220020	1	FUEL FILTER	
20	F650203220030	1	COVER	
21	F650203060010	1	FILTER BOX	
22	F650203230790	1	SEALING WASHER	
23	F652201230040	2	HEXAGONAL HEAD BOLT	M10X40
24	F650203220040	1	FUEL PREFILTER	
25	F650203220050	1	FILTER HOUSING	
26	F650203060030	1	FILTER BOX	

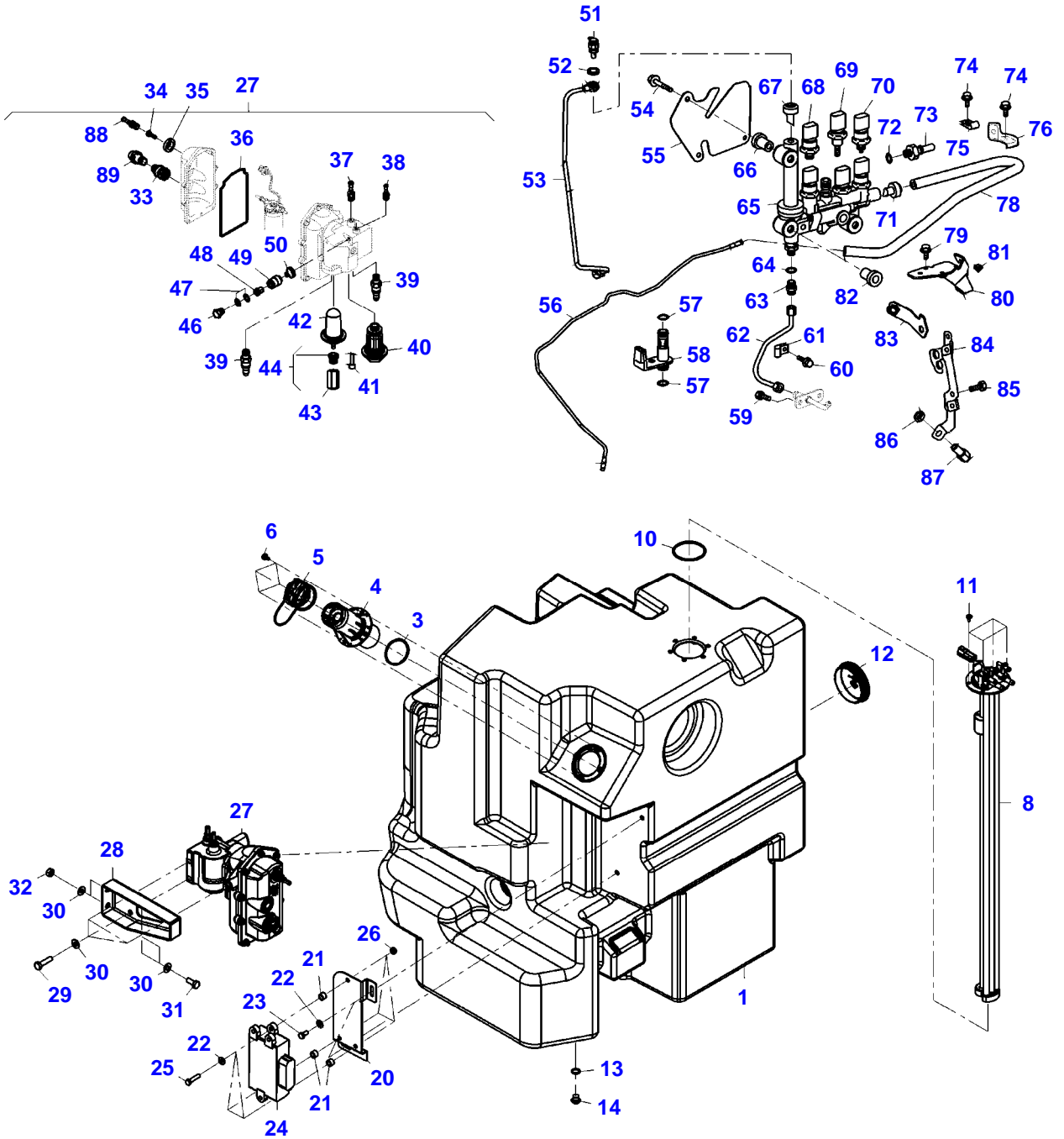
FENDT KATANA 65 (650/01001-99999)
39299



039299

Item	Part Number	Qty	Description Comments	Technical Specification
1	G650203090010	2	AIR FILTER ><3-5	
3	H650203090100	2	FILTER CARTRIDGE	
4	H650203090150	2	SAFETY CARTRIDGE	
5	H650203090200	2	FILTER LID	
9	650203090010	1	MAINTENANCE SWITCH	
10	X487532041000	8	HEXAGONAL HEAD BOLT	DIN 933 M10X45-8.8A3L
11	X522504400000	8	SPLIT WASHER	DENTED EDGE M10 FORM M-GEO321B
13	X454407508000	8	DISC	DIN9021-10,5-140HV-A3L
14	X428202839000	8	NUT	DIN 934 M10-8A3L
17	X304319000970	1	PROTECTIVE STRIP CUT TO LENGTH 750MM	L=3120 FWN 63040

FENDT KATANA 65 (650/01001-99999)
2296673-M-1

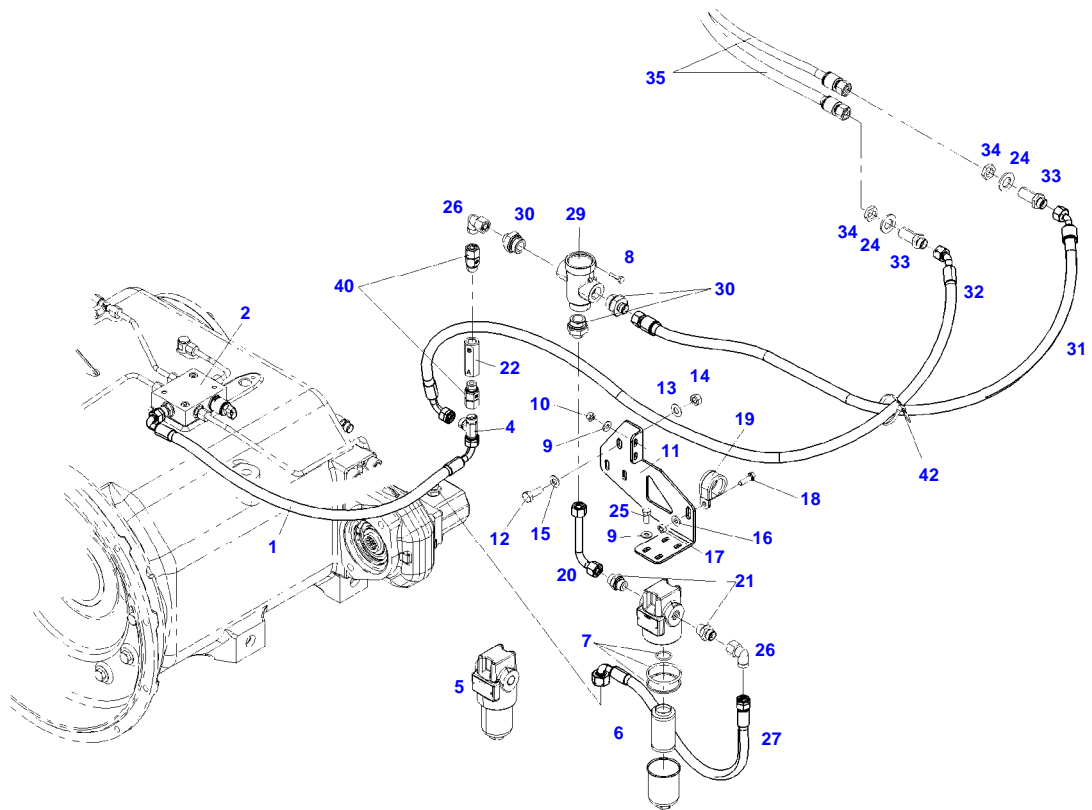


2296673-M-1

Item	Part Number	Qty	Description Comments	Technical Specification
			<-- 650/1030	
1	H650203111100	1	TANK	
3	X548936600000	1	O-RING	57X4-EPDM 70 FWN56402
4	H835201110120	1	FILLER NECK	
5	H835201110160	1	FUEL CAP	
6	X466021700000	6	OVAL HEAD SCREW	WN7381-M6X12-A2 NIRO
8	G650203110030	1	FUEL LEVEL SENSOR TEMPERATURE FILLING LEVEL B162	
10	X548950400000	1	O-RING	67X4 EPDM 70 DIN3771
11	X466021901000	4	OVAL HEAD SCREW	WN7381-M6X16-A2 NIRO
12	X499505500000	1	LOCKING PLUG	GL102
13	650203111670	1	FLAT SEALING WASHER	
14	650203111680	1	PLUG SCREW	
20	650203111530	1	SHEET METAL	
21	135903050050	3	RING	
22	X522503900000	5	SPLIT WASHER	DENTED EDGE M8 FORM M-GEO321B
23	X487526841000	2	HEXAGONAL HEAD BOLT	DIN 933 M8 X 16-8.8A3L
24	F650203250530	1	CONTROL UNIT SCR MODULE A117	
25	X487528241000	3	HEXAGONAL HEAD BOLT	DIN 933 M8X35-8.8A3L
26	X428202439000	3	NUT	DIN 934 M8-8A3L
27	F650203210280	1	PUMP ADBLUE M027	
28	650203111400	1	SHEET METAL	
29	X487531841000	3	HEXAGONAL HEAD BOLT	DIN 933 M10X35-8.8A3L
30	X522504400000	7	SPLIT WASHER	DENTED EDGE M10 FORM M-GEO321B
31	X487531541000	2	HEXAGONAL HEAD BOLT	DIN 933 M10X25-8.8A3L
32	X428202839000	2	NUT	DIN 934 M10-8A3L
33	F650203220390	1	VALVE	
34	F650203230020	1	FILTER STRAINER	
35	F650203230310	1	SPOUT	
36	F650203230060	1	OIL SUMP GASKET	
37	F650203230530	1	SOCKET	
38	F650203230540	1	SOCKET	
39	F650203230520	2	SOCKET	
40	F650203110010	1	FILTER ELEMENT	
41	F650203220980	3	HEXAGONAL HEAD BOLT	M5X16
42	F650203220380	1	ACCUMULATOR PAD	
43	F650203230050	1	BOOT	
44	F650203230260	1	VALVE INSERT	
46	F650203230290	1	UNION SCREW	
47	F650203220400	1	REPAIR KIT	
48	F650203220300	1	FILTER	
49	F650203230570	1	SOCKET	
50	F650203230030	1	VALVE	
51	F650203220370	1	CONNECTION	
52	F652201240840	2	SEALING WASHER	
53	F650203220360	1	AIR LINE	
54	F652201240600	3	HEXAGONAL HEAD BOLT	M8X60
55	F650203240690	1	SCREENING PLATE	
56	F650203220340	1	PRESSURE LINE	
57	F650203220320	2	SEAL RING	
58	F650203210270	1	NOZZLE	
59	F650203230390	2	SCREW	
60	F653201230710	1	TORX SCREW	M8X20
61	F650203250490	1	HOSE CLIP	
62	F650203220330	1	PRESSURE LINE	
63	F650203230580	1	SOCKET	
64	F650203220310	1	SEAL RING	

Item	Part Number	Qty	Description Comments	Technical Specification
65	F650203210230	1	DOSING MODULE	
66	F650203230040	6	BUSH	
67	F650203220300	1	FILTER	
68	F650203210240	1	SENSOR PRESSURE SENSOR BRAKE SUPPLY EQUIPEMENT B202	
69	F650203210260	1	TEMPERATURE SENSOR. TEMPERATURE ADBLUE MODULE B205	
70	F650203210250	1	SENSOR PRESSURE SENSOR ADBLUE MODULE B201	
71	F650203220300	2	FILTER	
72	F650203220310	1	SEAL RING	
73	F650203230600	1	SOCKET	
74	F652201220510	X	HEXAGONAL HEAD BOLT	M8X16
75	F650203250490	X	HOSE CLIP	
76	F650203240560	1	HOLDER	
78	F650203220350	1	PRESSURE LINE	
79	F652201220610	3	HEXAGONAL HEAD BOLT	M8X20
80	F652201220700	1	CABLE TIE	
81	F650203250330	1	HOLDER	
82	F650203230040	1	BUSH	
83	F650203240660	1	HOLDER	
84	F650203240300	1	HOLDER	
85	F652201220510	3	HEXAGONAL HEAD BOLT	M8X16
86	F650203230680	1	NUT	
87	F650203230270	1	SOCKET	
88	F650203230550	1	SOCKET	
89	F650203230560	1	SOCKET	

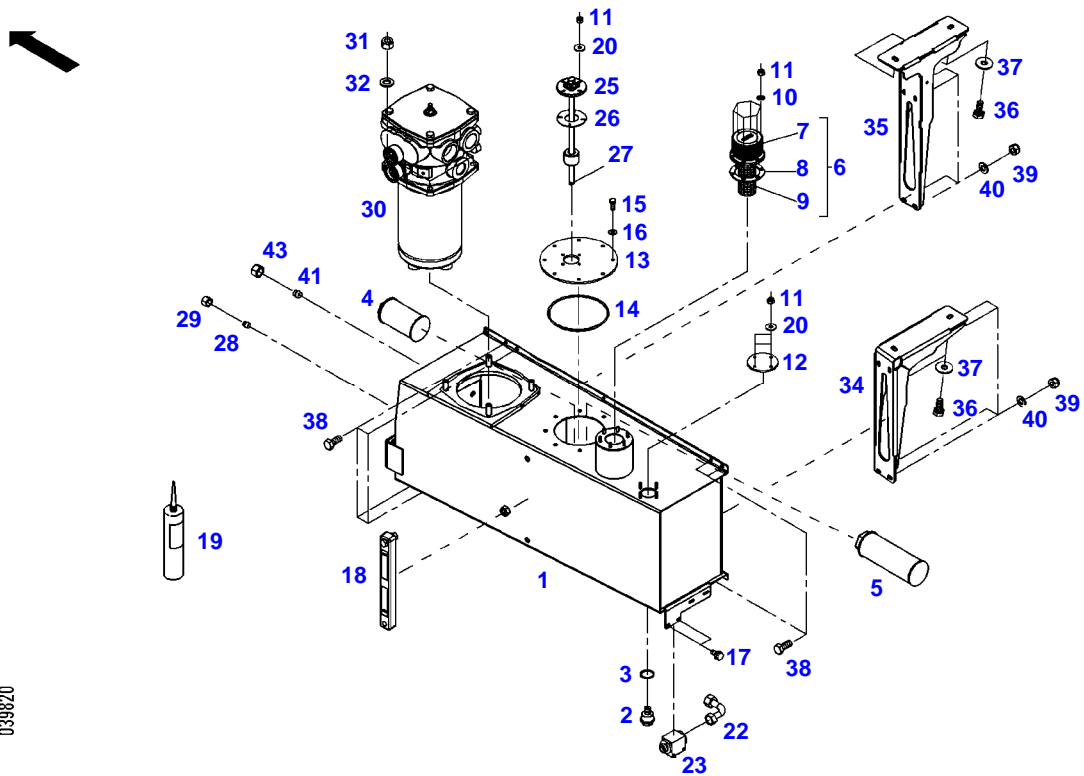
FENDT KATANA 65 (650/01001-99999)
F50341



050341

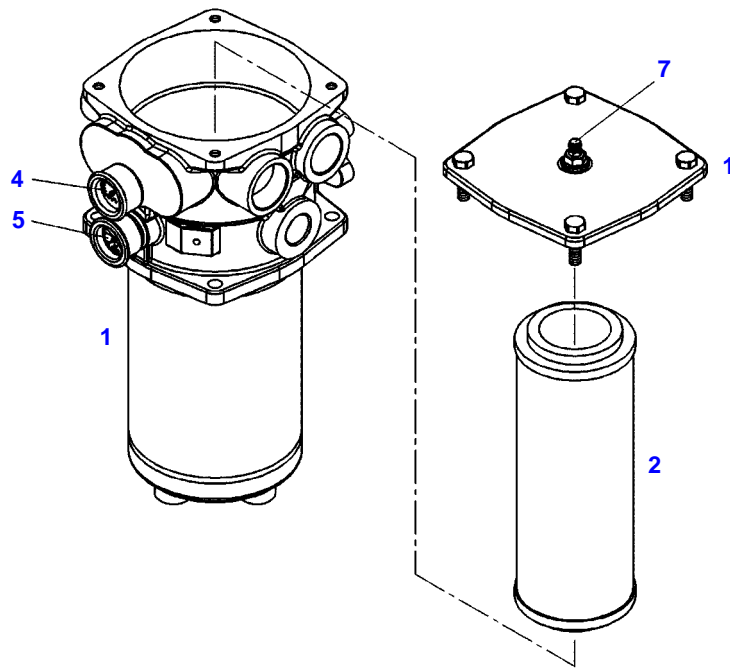
Item	Part Number	Qty	Description Comments	Technical Specification
1	G650953600020	1	HOSE	
2			SEE HARV. MACH. TRANSM. ENGINE OUTPUT SIDE	
4	X592716200000	1	T-FITTING	DIN 3908-L12-A3L
5	G931962025040	1	FILTER ><6,7	
6	F931962025010	1	FILTER ELEMENT	
7	F931962025070	1	SEAL KIT	
8	X487520941000	2	HEXAGONAL HEAD BOLT	DIN 933 M6X25-8.8A3L
9	X522503000000	6	SPLIT WASHER	DENTED EDGE M6 FORM M-GEO321B
10	X428202239000	2	NUT	DIN 934 M6-8A3L
11	650953600022	1	HOLDER	
12	X487527841000	3	HEXAGONAL HEAD BOLT	DIN 933 M8X22-8.8A3L
13	X522503900000	3	SPLIT WASHER	DENTED EDGE M8 FORM M-GEO321B
14	X428202439000	3	NUT	DIN 934 M8-8A3L
15	X450006308000	3	DISC	DIN 125-8,4-ST.A3L
16	X522503900000	1	SPLIT WASHER	DENTED EDGE M8 FORM M-GEO321B
17	X428202439000	1	NUT	DIN 934 M8-8A3L
18	X487527741000	1	HEXAGONAL HEAD BOLT	DIN 933 M8 X 20-8.8A3L
19	X459077200000	1	PIPE CLAMP	
20	H650953600110	1	BOOST PIPE	
21	X592501205000	2	SCREW NECK	FWN65925-L12-M18X1,5OMD-A3L 1
22	H650953600150	1	CHECK VALVE	RV-10-01.1/0-5BAR
24	X450010808000	2	DISC	DIN 125-19-ST.A3L
25	X487520041000	4	HEXAGONAL HEAD BOLT	DIN 933-M6 X 16-8.8-A3L
26	X584316900000	2	ADJUST. W-THREAD CONNECTION,PREINSTALLED	FWN65843-L12-A3L
27	H650953600011	1	PRESSURE HOSE	
29	G210952250020	1	OIL TEMPERERATURE CONTROLLER	
	G210952251020	1	REGULATOR CARTRIDGE	
	F210952250010	1	O-RING	37X2,5MM FPM 70SHORE
30	524893070100	3	TUBE FITTING	
31	H650953600060	1	PRESSURE HOSE	
32	G650953600010	1	HOSE	
33	X592116200000	2	STRAIGHT BULKHEAD UNION	DIN3910-L12-ST-A3L
34	X435904800000	2	NUT	DIN80705-M18X1,5-11H-A3L
35			SEE ENGINE OIL COOLER	
40	X592510800000	2	SCREW NECK	L12-G3/8A
42	X668980522000	3	CABLE STRAP	FWN 66650 B290X4,8-SW

FENDT KATANA 65 (650/01001-99999)
39820



039820

Item	Part Number	Qty	Description Comments	Technical Specification
HYDRAULIC OIL				
1	H650963050060	1	HYDRAULIC SYSTEM	
2	H716151150010	1	MAGNETIC FILTER	
3	X540009478000	1	SEALING WASHER	DIN 7603 A30X36-CU
4	H650963050040	1	SUCTION FILTER L=133MM	
5	H650963050050	1	SUCTION FILTER L=205MM	
6	G916861060011	1	FILTER ><7-9	
7	F916861060011	1	VENTILATION FILTER	
8	F395860060030	1	FLAT SEALING WASHER	
9	F916860060020	1	INLET STRAINER ><8	
10	X450003908000	6	DISC	DIN 125-5,3-ST.A3L
11	X434102040000	14	NUT	DIN6925-M5-8-A3L
12	650963050210	1	LID LOCK	
13	H650963050101	1	LID LOCK	
14	X549017500000	1	O-RING	149X4-NBR 70-FWN56402
15	X487520041000	8	HEXAGONAL HEAD BOLT	DIN 933-M6 X 16-8.8-A3L
16	X522503000000	8	SPLIT WASHER	DENTED EDGE M6 FORM M-GEO321B
17	X490522300000	2	HEXAGONAL HEAD BOLT	FURCHEND FWN64930-AM6X12-A3L
18	G650960050070	1	OIL LEVEL INDICATOR	
19	X903050059000	1	SEALING COMPOUND	LOCTITE 5970 300ML
20	X454303908000	8	DISC	DIN9021-5,3-140HV-A3L
22	H650963050030	1	RETURN PIPE	
23	X597805101000	1	2-WAY BALL VALVE BLOCK	
25	G650963050020	1	FUEL LEVEL SENSOR ><26,27	
26	F716970020030	1	FLANGE WASHER	
27	X548821200000	1	O-RING	D9X2,5
28	X571322800000	1	PLUG NECK	FWN 65713-12L-A3L
29	X596516239000	1	CONNECTING NUT	DIN 3870 AL12-9S20K A3L
30			SEE FILTER	
31	X434103240000	4	NUT	DIN 980-VM12-8-A3L
32	X450008708000	4	DISC	DIN 125-13-ST.A3L
34	650963050100	1	RETAINER	
35	650963050111	1	RETAINER	
36	X487531541000	4	HEXAGONAL HEAD BOLT	DIN 933 M10X25-8.8A3L
37	X454407508000	4	DISC	DIN9021-10,5-140HV-A3L
38	X487527741000	8	HEXAGONAL HEAD BOLT	DIN 933 M8 X 20-8.8A3L
39	X434102440000	8	NUT	DIN6925-M8-8-A3L
40	X450006308000	8	DISC	DIN 125-8,4-ST.A3L
41	X571316300000	1	PLUG NECK	FWN 65713-15L-A3L
43	X596516339000	1	CONNECTING NUT	DIN3870 AL15/M22X1.5-9S20K A3L



899068

Fendt

FENDT KATANA 65 (650/01001-99999)

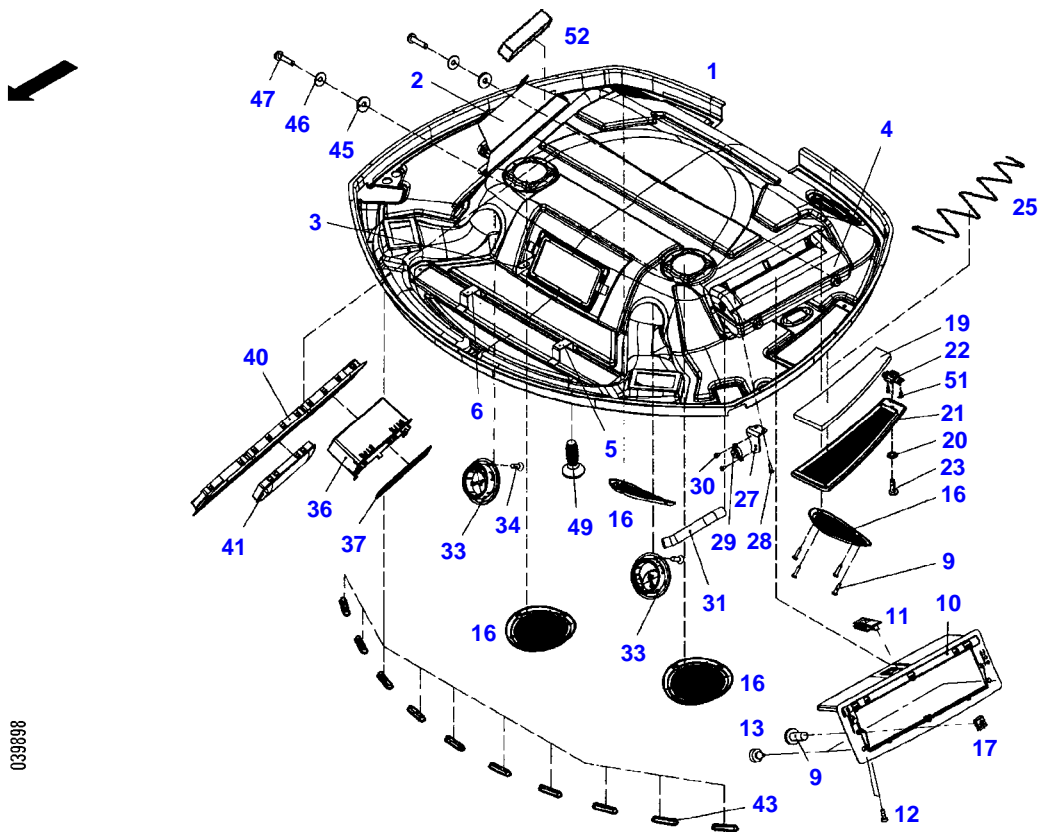
F650000

FILTER

Page05-0054

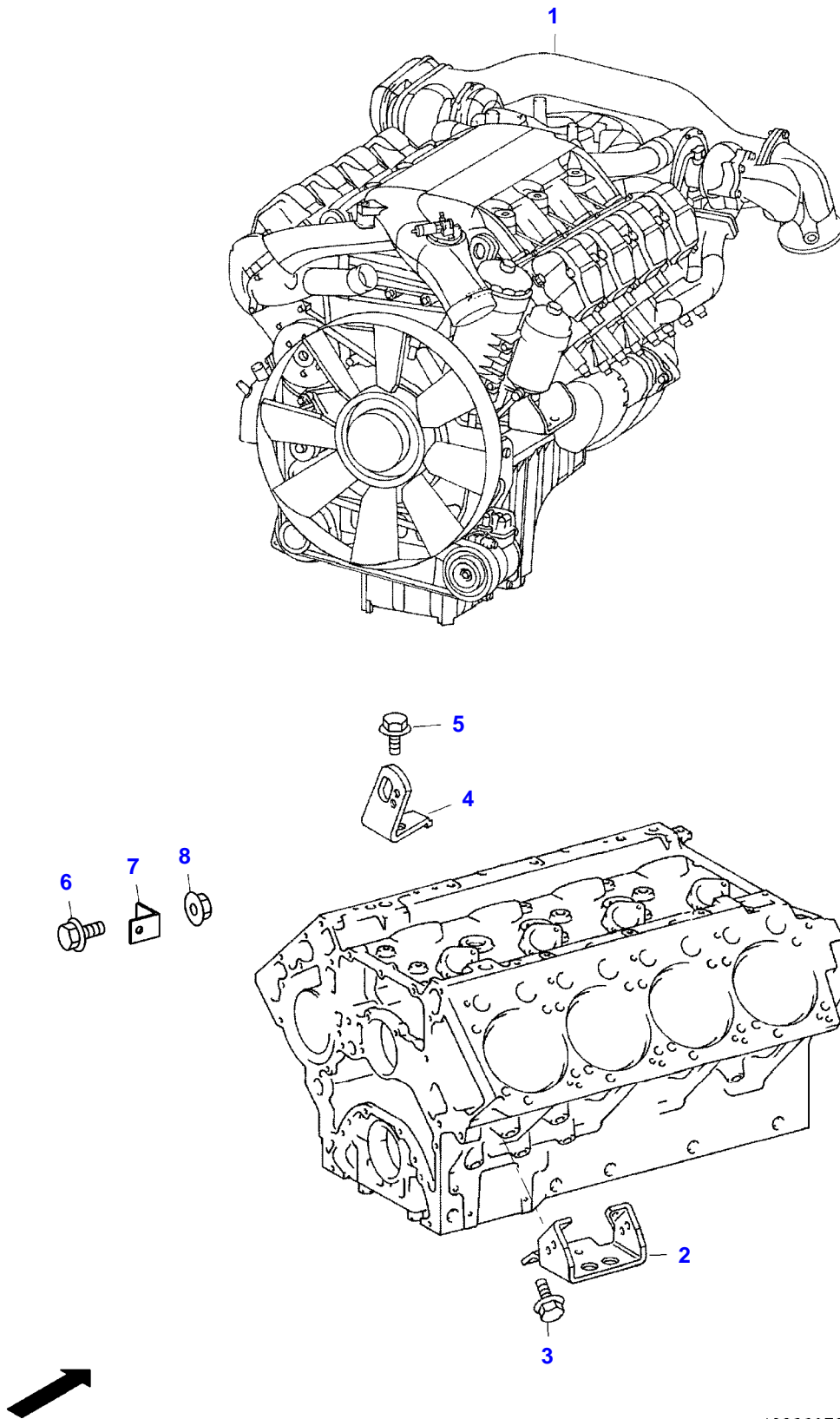
Item	Part Number	Qty	Description Comments
			HYDRAULIC OIL
1	G650963050010	1	FILTER ><2-7
	F650963050020	1	SCREEN FILTER
	F650963050060	1	SEAL KIT
2	F650963050010	1	FILTER CARTRIDGE
4	F650963050040	1	PRESSURE GAUGE
5	F650963050030	1	PRESSURE GAUGE
7	F650963050050	1	BLEEDER VALVE

FENDT KATANA 65 (650/01001-99999)
F39898



Item	Part Number	Qty	Description Comments	Technical Specification
1	E650813080021	1	HEADLINING ><2-6	
2	F650813360580	1	RADIO BRACKET	
3	F650813360590	1	BRACKET	
4	F650813360600	1	COOL BOX	
5	F650813360610	1	RETAINING BRACKET	
6	F650813360620	1	RETAINING BRACKET	
9	X493808805000	6	SCREW	DIN 7981 ST4,2X19-C-H-A3L
10	G931812080113	1	COVER ><11-13	
11	931812080350	1	CATCH	
12	X473512001000	2	SCREW	KST-3,5X10
13	816810260061	2	PLUG STOPPER	
16	737812080220	4	SPEAKER	
17	X435721901000	2	SPEED NUT	4,2 ZN PASS
19	F650810020010	1	AIR FILTER	
20	F650813360680	1	LOCK WASHER	
21	F650813360670	1	GRATE	
22	F650813360690	1	CATCH	
23	F650813360700	1	CATCH	
25	F650813360750	1	WIRE	
27	F650813360710	1	RETAINING PLATE	
28	F650813360230	2	SCREW	
29	F650813360720	1	DAMPER	
30	X493801305000	2	SCREW	DIN 7981 ST2,9X6,5-C-H-A3
31	X665966500400	1	CORRUGATED PIPE	L=400 FWN66659 NW22-PA6
33	F650813360650	2	NOZZLE	
34	X493903100000	8	SCREW	DIN 7982 ST3,5X16-C-A3L
36	737812080260	1	STORAGE COMPARTMENT	
37	737812080290	1	NETWORK	
40	F650813080010	1	RADIO TRIM	
41	931812080300	1	COVER	
43	F650813360660	10	NOZZLE	
45	F650813360730	2	DISC	
46	X454305108000	2	DISC	DIN9021-6,4-140HV-A3L
47	X495923001000	2	OVAL HEAD SCREW	DIN 7985 M6X30-4.8A3L
49	F650813360740	15	SCREW	
51	X444908101000	2	POP RIVET	3X8
52	F650813020010	2	SEALING PROFILE	5M

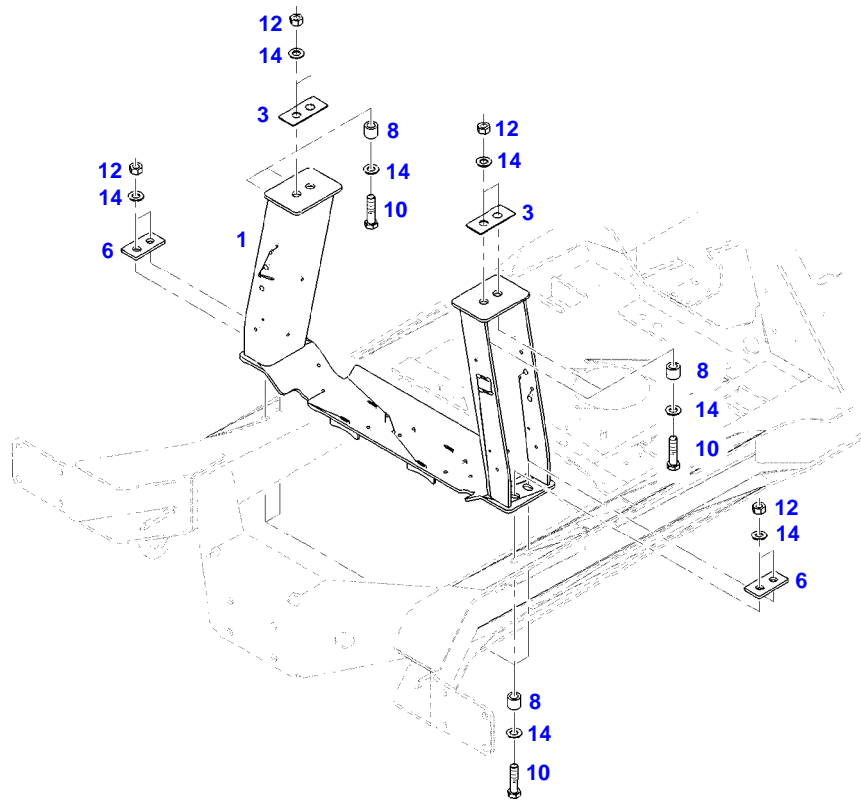
FENDT KATANA 65 (650/01001-99999)
18382970-M-1



18382970-M-1

Item	Part Number	Qty	Description Comments	Technical Specification
1	E650203010011	1	DIESEL ENGINE	
2	F650203240850	2	ENGINE CARRIER	
3	F650203220820	8	SCREW	M14X1,5X30
4	F650203240860	1	SUSPENSION EYE	LH
	F650203240870	1	SUSPENSION EYE	RH
5	F652201240070	2	HEXAGONAL HEAD BOLT	M16X1,5X80
6	F652201210570	1	HEXAGONAL HEAD BOLT	
7	F650203240020	1	HOLDER	
8	F650203250460	1	NUT	

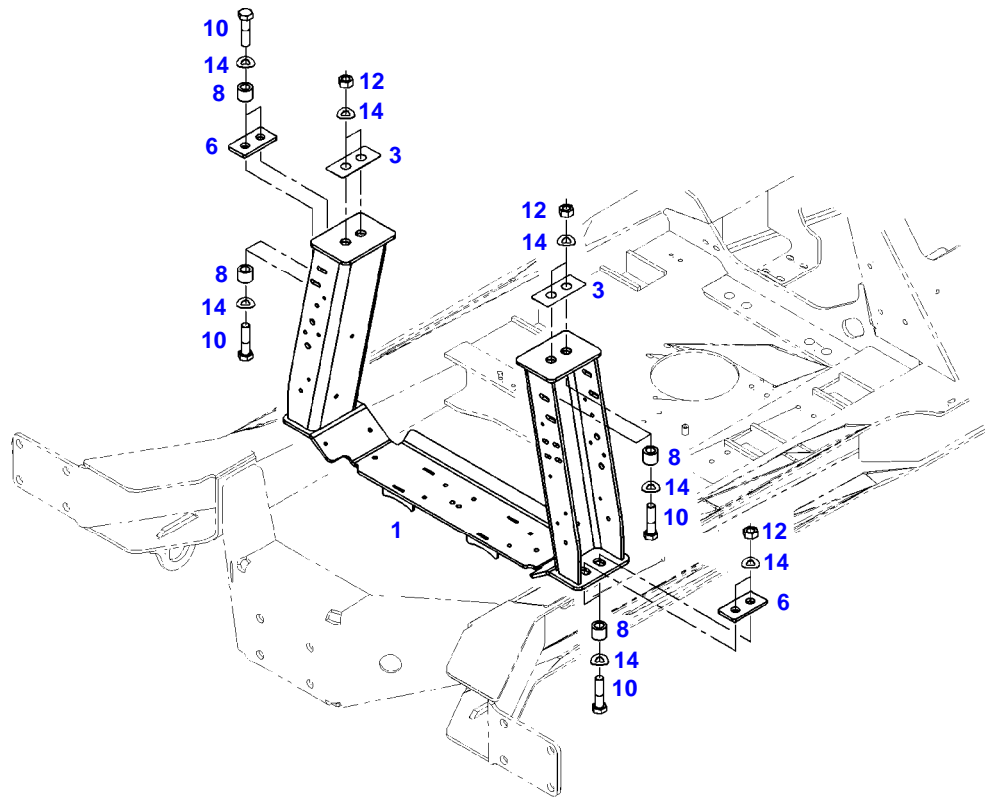
FENDT KATANA 65 (650/01001-99999)
39027



039027

Item	Part Number	Qty	Description Comments	Technical Specification
			<-- 650/0101 --> 650/1029	
1	H650203031110	1	ENGINE MOUNT	
3	650203030200	X	SHIM S=1,0MM	
	650203030210	X	SHIM S=1,5MM	
	650203030220	X	SHIM S=2,5MM	
6	650203030050	2	PLATE	
8	650503531120	8	BUSH	
10	X486555502000	8	HEXAGONAL HEAD BOLT	DIN 931 M20X80-10.9 GEO321B
12	X428205005000	8	NUT	DIN 934 M20-10 A3L
14	X522507800000	16	SPLIT WASHER	DENTED EDGE M20 FORM M-GEO321B

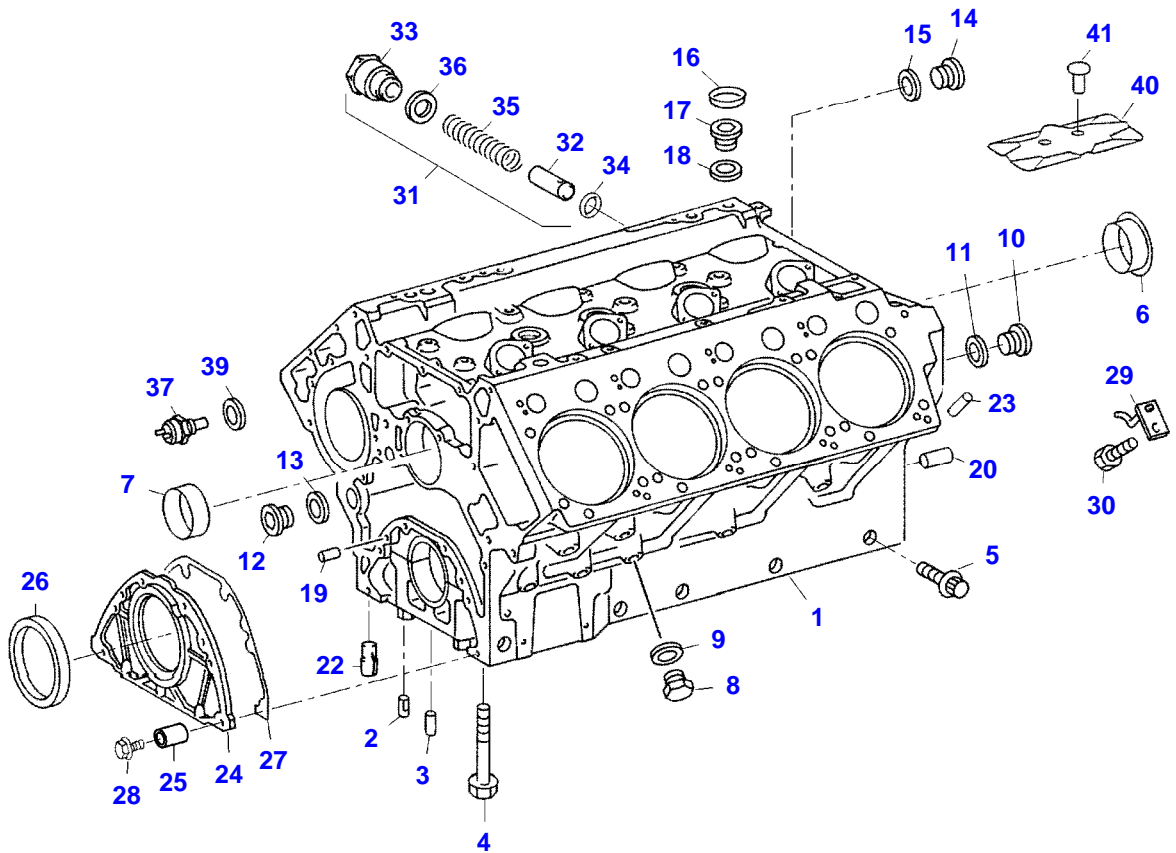
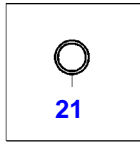
FENDT KATANA 65 (650/01001-99999)
39879



039879

Item	Part Number	Qty	Description Comments	Technical Specification
			<-- 650/1030	
1	H650203031110	1	ENGINE MOUNT	
3	650203030200	X	SHIM S=1,0MM	
	650203030210	X	SHIM S=1,5MM	
	650203030220	X	SHIM S=2,5MM	
6	650203030050	2	PLATE	
8	650503531120	6	BUSH	
10	X486555502000	8	HEXAGONAL HEAD BOLT	DIN 931 M20X80-10.9 GEO321B
12	X428205005000	6	NUT	DIN 934 M20-10 A3L
14	X522507800000	14	SPLIT WASHER	DENTED EDGE M20 FORM M-GEO321B

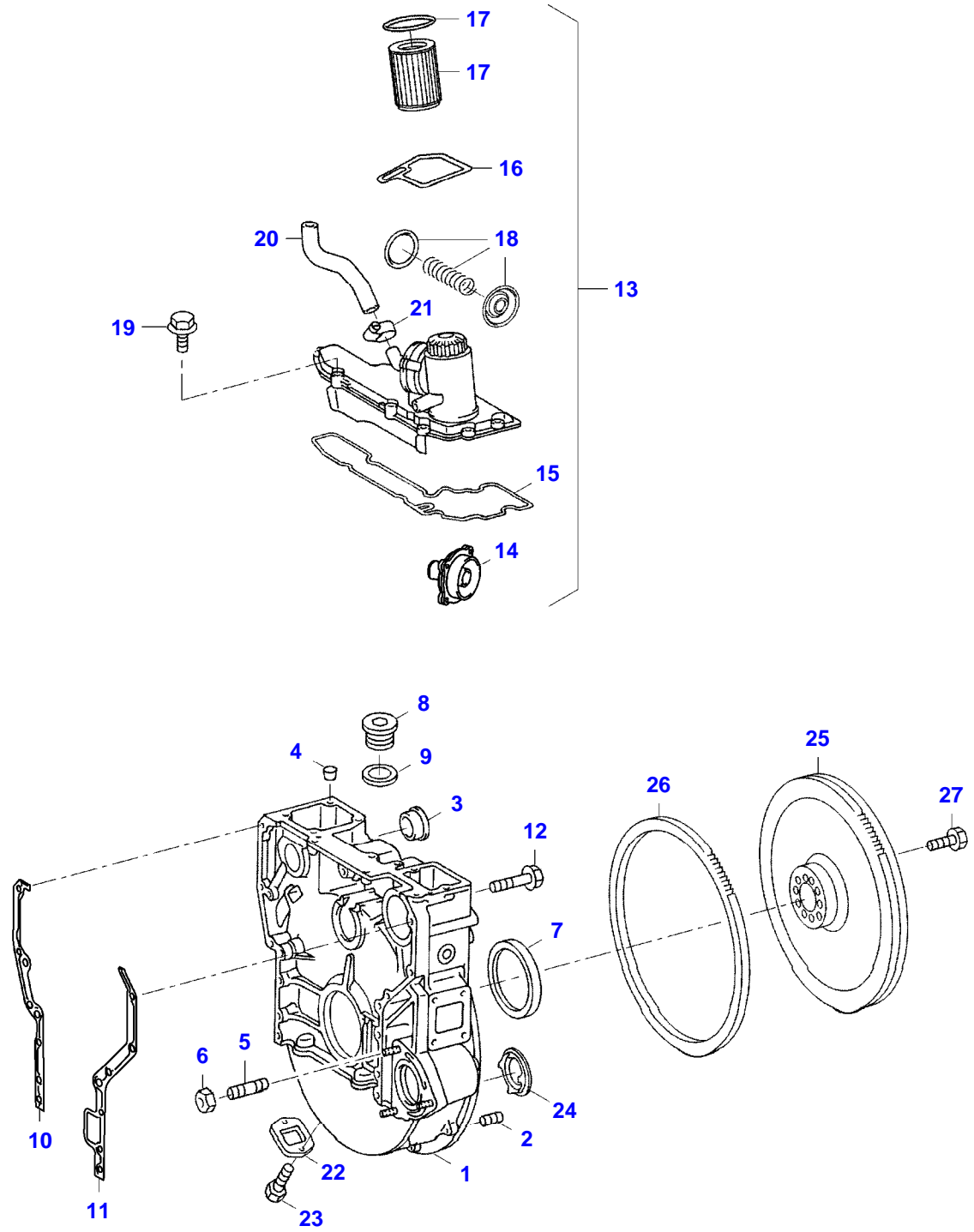
FENDT KATANA 65 (650/01001-99999)
18382971-M-1



18382971-M-1

Item	Part Number	Qty	Description Comments	Technical Specification
1	F650203240990	1	CRANKCASE	
2	F650203240930	2	PIN	
3	F650203230200	8	DOWEL	
4	F650203240330	10	SCREW	M18X2X120
5	F650203240340	10	SCREW	M4X1,5X85
6	F650203240460	1	BEARING SHELL	
7	F650203240450	4	BEARING SHELL	
8	F650203250290	2	PLUG SCREW	M14X1,5
9	F652201210590	2	SEALING WASHER	
10	F650203240080	1	OIL NOZZLE	
11	F652201210630	1	SEALING WASHER	
12	F650203230880	3	PLUG SCREW	
13	F650203220870	3	SEALING WASHER	
14	F650203230880	2	PLUG SCREW	
15	F650203220870	2	SEALING WASHER	
16	F650203220900	5	CAP COVER	L=34,2 MM
17	F650203230280	4	PLUG SCREW	
18	F650203220860	4	SEALING WASHER	
19	F650203230210	2	DOWEL	
20	F650203230230	2	DOWEL	
21	F650203240270	1	BALL	
22	F650203230950	2	GROOVE PIN	
23	F653201210130	16	DOWEL	ISO2338 10 M6X18
24	F650203240350	1	LID	
25	F650203240680	2	GUIDE SLEEVE	
26	F652201210330	1	SHAFT SEAL	
27	F650203210310	1	GASKET	
28	F650203250420	4	HEXAGONAL HEAD BOLT	M10X25
29	F650203210320	8	OIL NOZZLE	
30	F652201220610	8	HEXAGONAL HEAD BOLT	M8X20
31	F650203240720	1	BLOW OFF VALVE	
32	F650203240740	1	PISTON	
33	F650203240750	1	PLUG SCREW	
34	F650203230810	1	SEALING WASHER	
35	F650203240220	1	SPRING	
36	F652201240530	1	SEALING WASHER	M33
37	F652201210160	1	TEMPERATURE TRANSMITTER FUEL TEMPERATURE B130	
39	F652201210590	1	SEALING WASHER	
40	F650203240050	1	IDENTITY PLATE	
41	F650203230590	2	RIVET	

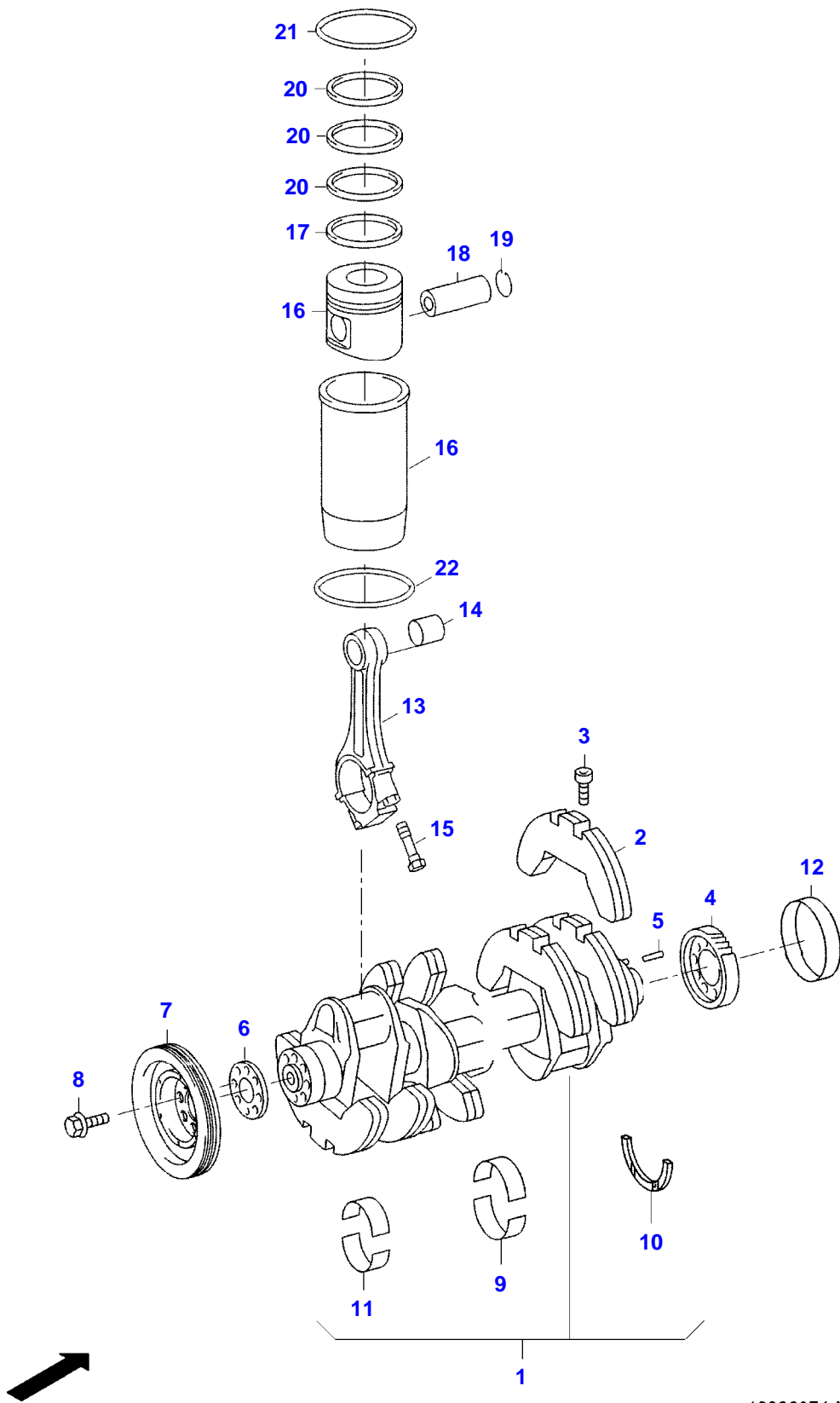
FENDT KATANA 65 (650/01001-99999)
18382973-M-1



18382973-M-1

Item	Part Number	Qty	Description Comments	Technical Specification
1	F650203240320	1	CONTROL HOUSING	
2	F650203250390	X	THREADED INSERT	
3	F650203240650	1	FLANGE	
4	F650203230830	1	CAP COVER	
5	F652201230620	2	SCREW	M12X35
6	F652201230640	1	HEX NUT	
7	F650203210340	1	SEAL RING	D=115MM
8	F650203230280	2	PLUG SCREW	
9	F650203220860	2	SEALING WASHER	
10	F650203210360	1	GASKET	RH
11	F650203210370	1	GASKET	LH
12	F650203240180	11	SCREW	
13	F650203210380	1	COVER	
14	F650203240370	1	LID	
15	F650203210390	1	GASKET	
16	F650203210400	1	GASKET	
17	F650203210410	1	OIL FILTER	
18	F650203240380	1	DIAPHRAGM	
19	F652201210270	9	HEXAGONAL HEAD BOLT	
20	F650203210420	1	VENT	
21	F650203220840	2	HOSE CLIP	
22	F652201230650	1	LID LOCK	
23	F652201220510	2	HEXAGONAL HEAD BOLT	M8X16
24	F650203240140	1	PLUG STOPPER	
25	F650203250010	1	FLYWHEEL	
26	F650203240100	1	ANNULAR GEAR	
27	F650203240170	10	SCREW	

FENDT KATANA 65 (650/01001-99999)
18382974-M-1



18382974-M-1

Item	Part Number	Qty	Description Comments
1	F650203250030	1	CRANKSHAFT
2	F650203240390	6	COUNTERWEIGHT
3	F650203240160	12	SCREW
4	F650203240420	1	CRANKSHAFT GEAR
5	F650203230220	1	DOWEL
6	F650203240090	1	SLINGER
7	F650203240250	1	DAMPER
8	F652201220860	8	HEXAGONAL HEAD BOLT
9	F650203210720	5	CRANKSHAFT BEARING
10	F650203210730	4	FOOT PROBE GUARD PLATE
11	F650203210740	8	ROD BEARING
12	F650203240110	1	RING
13	F650203250020	8	PISTON ROD
14	F650203240410	8	SMALL-END BUSH
15	F650203210750	16	SCREW
16	F650203210760	8	PISTON
17	F650203240360	8	SCRAPER RING
18	F650203240400	8	PISTON PIN
19	F650203240940	8	SNAPRING
20	F650203210770	8	PISTON RING
21	F650203210780	8	SEAL RING
22	F650203210790	X	O-RING



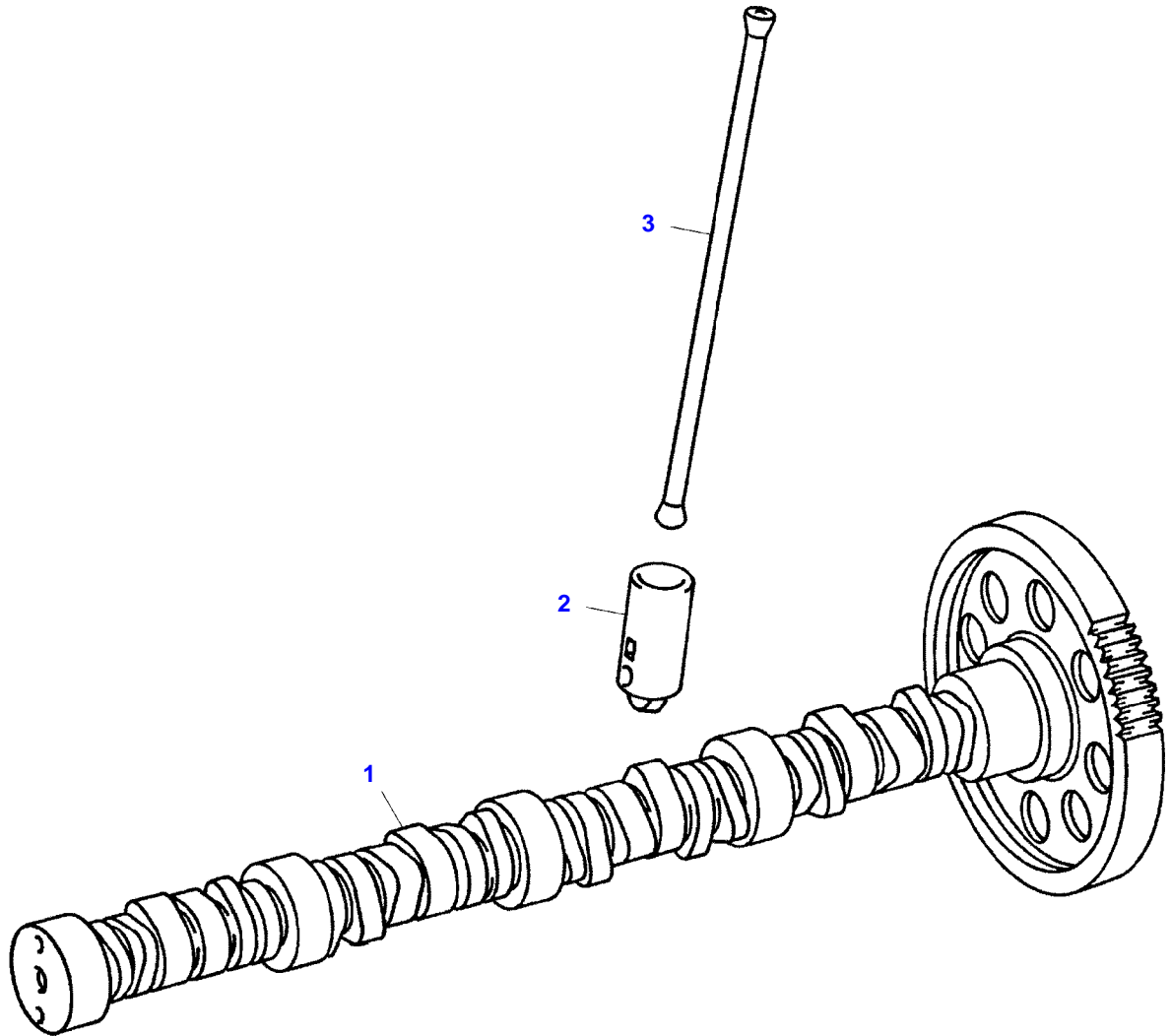
Suggest:

For more complete manuals. Please go to the home page.

<https://www.ebooklibonline.com>

If the above button click is invalid. Please download this document first, and then click the above link to download the complete manual.

Thank you so much for reading



18382975-M-1

Fendt

FENDT KATANA 65 (650/01001-99999)

F650000

CAMSHAFT AND VALVE

Page01-0008

Item	Part Number	Qty	Description Comments	Technical Specification
1	F650203250040	1	CAMSHAFT	
2	F650203240440	16	ROLLER TAPPET	30 MM
3	F650203210800	16	PUSH ROD	

<https://www.ebooklibonline.com>

Hello dear friend!

Thank you very much for reading.

Enter the link into your browser.

The full manual is available for immediate download.

<https://www.ebooklibonline.com>