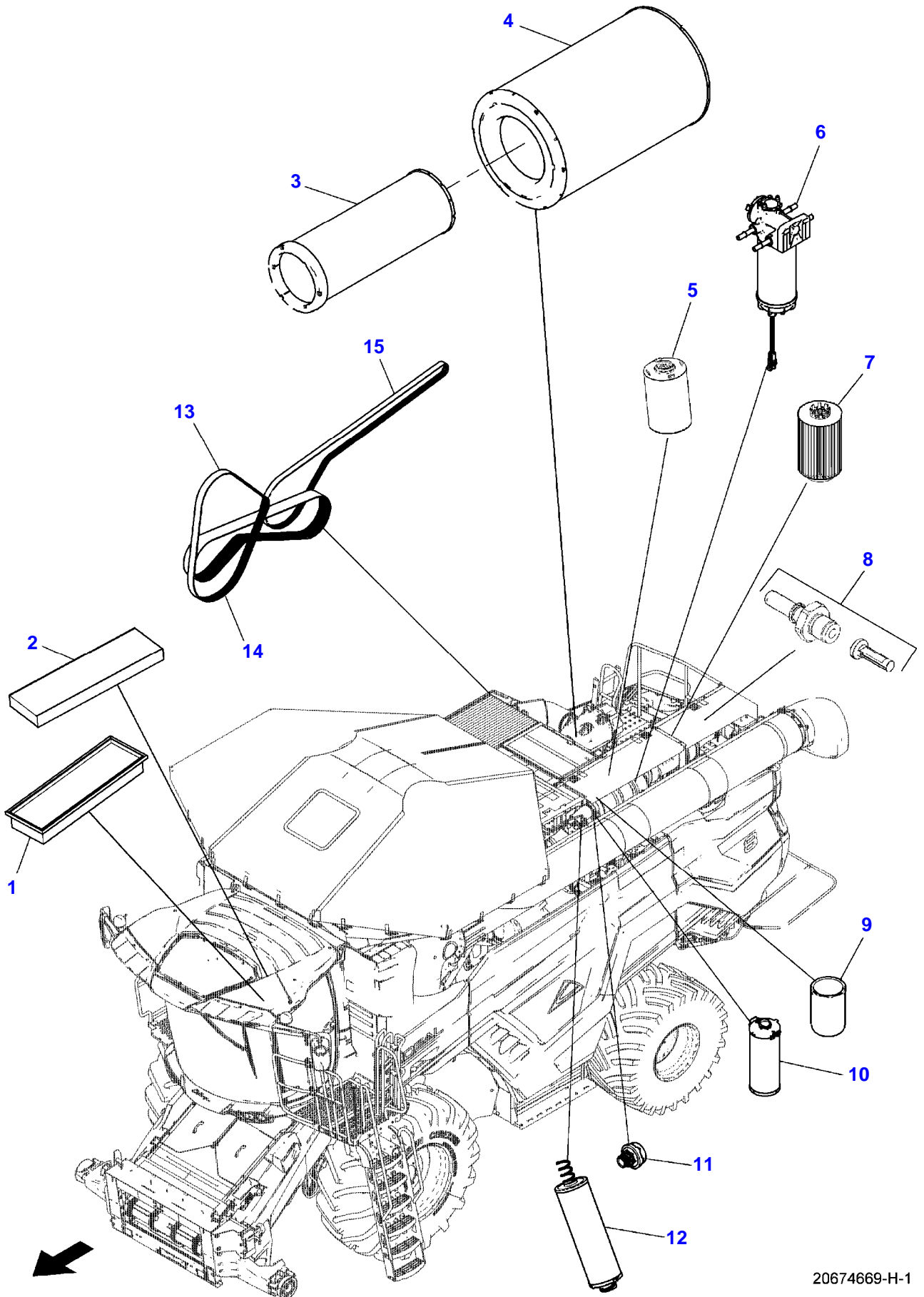


Page Number	Page Title	Page Reference
01-000-TOC	ENGINE, FUEL AND EXHAUST SYSTEM	01-000-TOC
02-000-TOC	ENGINE	02-000-TOC
03-000-TOC	ENGINE INSTALLATION	03-000-TOC
04-000-TOC	DRIVE SYSTEM	04-000-TOC
05-000-TOC	AXLES	05-000-TOC
06-000-TOC	DRIVE TRAIN SYSTEM	06-000-TOC
07-000-TOC	BRAKE SYSTEM	07-000-TOC
08-000-TOC	HYDRAULIC SYSTEM	08-000-TOC
09-000-TOC	ELECTRICAL SYSTEM	09-000-TOC
10-000-TOC	CAB	10-000-TOC
11-000-TOC	AIR CONDITIONING AND HEATING SYSTEM	11-000-TOC
12-000-TOC	CHASSIS	12-000-TOC
13-000-TOC	DECALS	13-000-TOC
14-000-TOC	WHEELS	14-000-TOC
15-000-TOC	FEEDING SYSTEM	15-000-TOC
16-000-TOC	THRESHING SYSTEM	16-000-TOC
17-000-TOC	CLEANING SYSTEM	17-000-TOC
18-000-TOC	GRAIN BIN AND ELEVATOR SYSTEM	18-000-TOC
19-000-TOC	DISCHARGE SYSTEM	19-000-TOC
20-000-TOC	PRECISION FARMING SYSTEMS	20-000-TOC
21-000-TOC	ATTACHMENTS	21-000-TOC
22-000-TOC	ACCESSORIES	22-000-TOC

Page Number	Page Title	Page Reference
01-0001	FILTER AND BELT GUIDE - CL7	2329734
01-0002	ENGINE T4F - ENGINE, ALTERNATOR, STARTER, AIR CONDITIONER T4F	2329903
01-0003	STARTER, ALTERNATOR AND AIR CONDITIONER COMPRESSOR - CL7	2343778
01-0004	FUEL SYSTEM ASSEMBLY - CL7	2343779
01-0005	FUEL INJECTION SYSTEM	2333324
01-0006	FUEL INJECTION PUMP - SERVICE PARTS	2333323
01-0007	FUEL FILTERS	2333322
01-0008	FUEL FILTERS - SERVICE PARTS - ENGINE TYPE AWF	2333321
01-0009	FUEL FILTERS - SERVICE PARTS - ENGINE TYPE AXW3	2333320
01-0010	FUEL TANK ASSEMBLY, 1000 LITER, 264 GALLON 1000L 264 GALLONS	2314676
01-0011	FUEL TANK ASSEMBLY, 1250 LITER, 330 GALLON 1250L 330 GALLONS	2314677
01-0012	DEF SYSTEM INSTALLATION - T4F, ST4 - CL7	2343390
01-0013	DEF TANK	2314678
01-0014	COOLING PACKAGE ASSEMBLY	2330353
01-0015	RADIATOR AND COOLERS	2330354
01-0016	COOLANT AND AIR TUBES PAGE 2 OF 2	2330352
01-0017	COOLANT AND AIR TUBES	2370052
01-0018	COOLANT AND AIR TUBES	2330065
01-0019	COMPRESSED AIR - CL7	2343391
01-0020	AIR COMPRESSOR	2372974
01-0021	COMPRESSED AIR	2343392
01-0022	ASPIRATOR GROUP - MOUNT	2332669
01-0023	EXHAUST GROUP - T4F, ST4 - CL7	2344167
01-0024	EXHAUST AFTERTREATMENT - SERVICE PARTS	2333316

IDEAL CLASS 7 COMBINE  
20674669-H-1



**<https://www.ebooklibonline.com>**

Hello dear friend!

Thank you very much for reading.

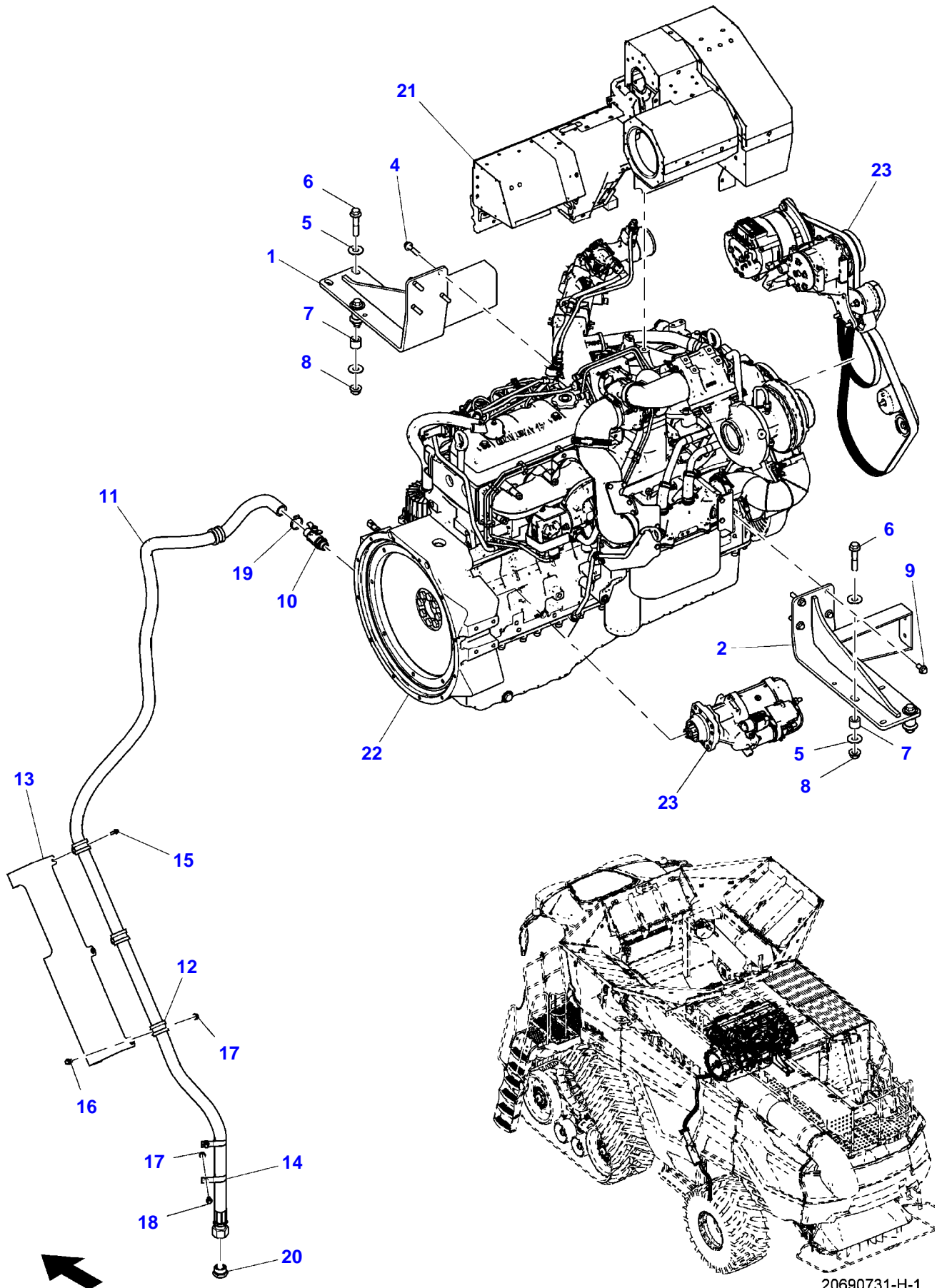
Enter the link into your browser.

The full manual is available for immediate download.

**<https://www.ebooklibonline.com>**

Item	Part Number	Qty	Description Comments	Technical Specification
1	71484324	1	AIR FILTER	
2	71468247	1	AIR FILTER	
3	ACP0287840	1	SECONDARY AIR FILTER ELEMENT	
4	ACP0287830	1	PRIMARY AIR FILTER ELEMENT	
5	ACP0154860	1	FILTER CARTRIDGE	
6	ACW4182090	1	FUEL FILTER	
7	ACP0153530	1	FILTER ELEMENT	
8	ACP0300680	1	SUCTION FILTER	
9	ACW1330790	1	FILTER ELEMENT	
10	ACW1344920	1	OIL FILTER	
	ACW1344930	1	INDICATOR	
	ACX0102830	1	FILTER ELEMENT	
11	ACX0102560	1	HYDRAULIC TANK FILTER BREATHER	
12	ACW0742020	1	OIL FILTER	
	ACX0102560	1	HYDRAULIC TANK FILTER BREATHER	
	ACW0703380	1	SENSOR	
	ACW0741900	1	FILTER CARTRIDGE	
13	ACW1752880	1	WATER PUMP BELT	CL7
14	ACW1752330	1	COOLING FAN V-BELT	
15	ACW1752340	1	BELT	

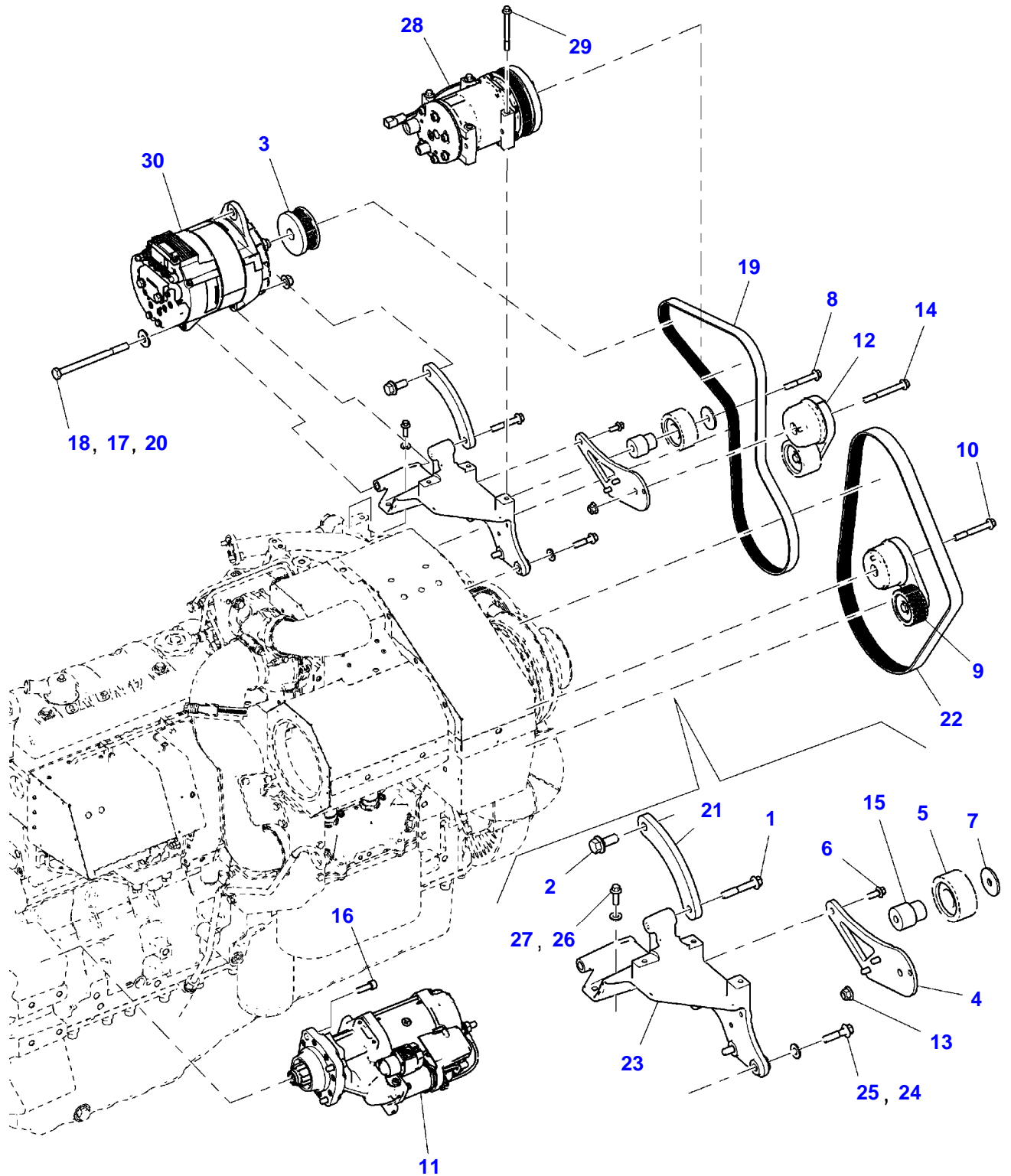
IDEAL CLASS 7 COMBINE  
20690731-H-1



20690731-H-1

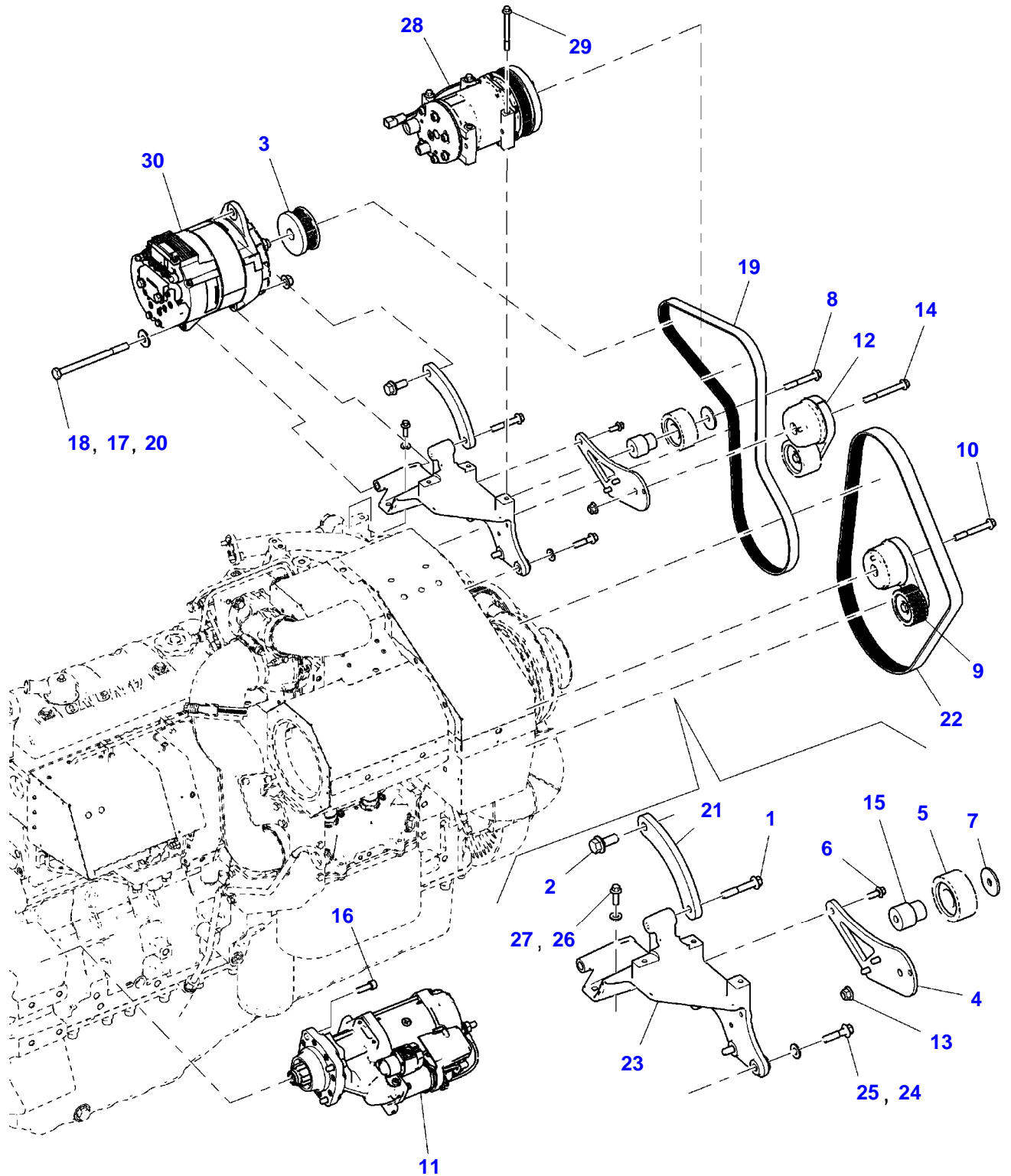
Item	Part Number	Qty	Description Comments	Technical Specification
<b>T4F</b>				
1	ACW3807310	1	FRONT SUPPORT	
2	ACW3807420	1	SUPPORT	
4	ACW1040950	7	HEXAGON FLANGE BOLT	ISO4162 M12X1.75X50-10 FLZN1
	71322759	7	SPACER	.531" ID
5	ACW1628590	8	FLAT WASHER	ISO887CZ 16-200HV FLZN1
6	ACW1041070	4	HEXAGON FLANGE BOLT	ISO4162 M16X2X80-10 FLZN1
7	ACW0807420	4	SPACER	
8	ACW1027170	4	HEX FLANGE TOP LOCK NUT	ISO7044 M16X2-8 FLZN1
9	ACW1040900	1	HEXAGON FLANGE BOLT	ISO4162 M12X1.75X25-10 FLZN1
10	ACW1762570	1	OIL DRAIN VALVE	
11	ACW1930340	1	OIL DRAIN HOSE	
12	ACW1135600	4	CLAMP	?35 MM
13	ACW115446A	1	SHIELD	
14	70937684	2	J-CLIP	1-1/4" ID X .406" HOLE
15	ACW1041160	6	HEXAGON FLANGE BOLT	ISO4162 M6X1X20-8 FLZN1
16	ACW1041210	3	HEXAGON FLANGE BOLT	ISO4162 M8X1.25X20-8 FLZN1
17	ACW1023930	5	HEX FLANGE NUT	EN1661 M8X1.25-10 FLZN1
18	ACW1041130	2	HEXAGON FLANGE BOLT	ISO4162 M8X1.25X16-8 FLZN1
19	70921912	1	HOSE CLAMP	1.06"-2.0" DIA
20	NS	1	NON-SERVICEABLE PART	
21	ACW4989210	1	INSULATION	
22	ACW0695300	1	ENGINE	
23		1		
SEE PAGE 01-0003				

IDEAL CLASS 7 COMBINE  
20691218-H-1



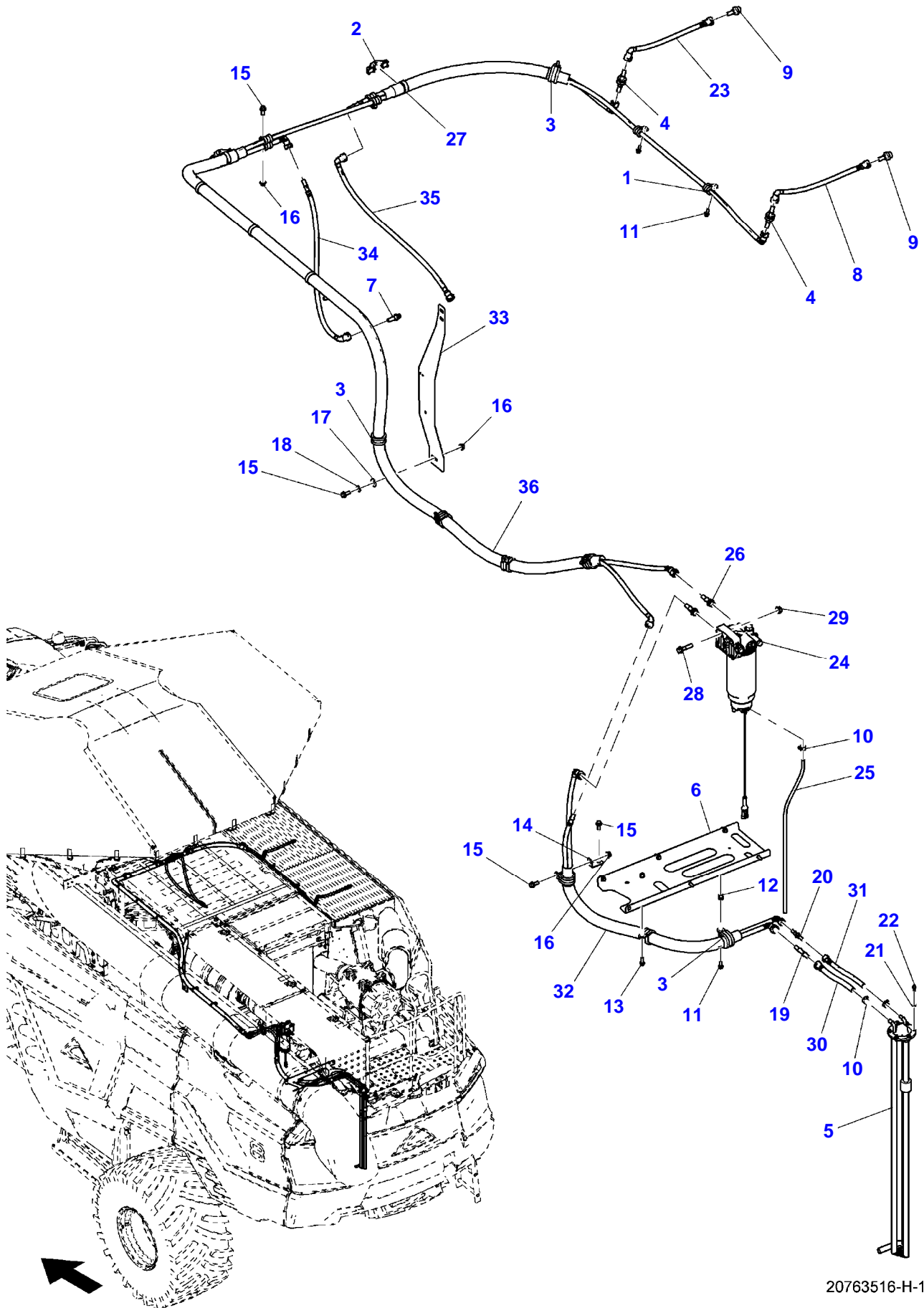
Item	Part Number	Qty	Description Comments	Technical Specification
1	ACW1040840	1	HEXAGON FLANGE BOLT	M10 X 60 (1.5) ISO 10 FLZN1
2	700710984	1	HEXAGON FLANGE BOLT	1/2"-13 X 1-1/4", GR8, FT
3	ACW1760990	1	ALTERNATOR SHEAVE	
4	ACW1828100	1	IDLER PLATE	
5	ACW1856350	1	IDLER	75 X 32.5
6	ACW1041210	3	HEXAGON FLANGE BOLT	ISO4162 M8X1.25X20-8 FLZN1
7	ACW1628350	1	FLAT WASHER	ISO887CZ 10-200HV FLZN1
8	ACW1040860	1	HEXAGON FLANGE BOLT	ISO4162 M10X1.5X70-10 FLZN1
9	ACW0701140	1	BELT TENSIONER	8 RIB
10	ACW1040870	1	HEXAGON FLANGE BOLT	ISO4162 M10X1.5X80-10 FLZN1
11	ACW7581510	1	STARTER	24V, SAE 1
12	ACW1856410	1	BELT TENSIONER	
13	ACW1027150	1	HEX NUT	ISO7044 M10X1.5-8 FLZN1
14	ACW1040880	1	HEXAGON FLANGE BOLT	ISO4162 M10X1.5X90-10 FLZN1
15	ACW1856380	1	IDLER SHAFT	
16	ACW1066510	3	SOCKET HEAD SETSCREW	ISO4762 M10X1.5X30-10 FLZN1
17	ACW1628580	1	FLAT WASHER	ISO887CZ 12-200HV FLZN1
18	ACW1955890	1	HEX BOLT	DIN931 M12X1.75X160-10 FLZN1
19	ACW1752870	1	ACCESSORY DRIVE BELT	CL7
20	ACW1027160	1	HEX FLANGE TOP LOCK NUT	ISO7044 M12X1.75-8 FLZN1
21	ACW1856390	1	ALTERNATOR MOUNT	
22	ACW1752880	1	WATER PUMP BELT	CL7
23	ACW1856370	1	SUPPORT	
24	ACW1066970	2	BELLEVILLE WASHER	DIN6796 10X23X2.5 FLZN1
25	ACW1040810	2	HEXAGON FLANGE BOLT	ISO4162 M10X1.5X40-10 FLZN1
26	ACW1066960	2	BELLEVILLE WASHER	DIN6796 8X18X2 FLZN1
27	ACW1493700	2	HEXAGON FLANGE BOLT	ISO4162 M8X1.25X25-10 FLZN1
28	ACW0479310	1	COMPRESSOR	
29	ACW1041300	3	HEXAGON FLANGE BOLT	ISO4162 M8X1.25X90-8 FLZN1
30	71479178	1	ALTERNATOR	320A

IDEAL CLASS 7 COMBINE  
20691218-H-1



Item	Part Number	Qty	Description Comments	Technical Specification
1	ACW1040840	1	HEXAGON FLANGE BOLT	M10 X 60 (1.5) ISO 10 FLZN1
2	700710984	1	HEXAGON FLANGE BOLT	1/2"-13 X 1-1/4", GR8, FT
3	ACW1760990	1	ALTERNATOR SHEAVE	
4	ACW1828100	1	IDLER PLATE	
5	ACW1856350	1	IDLER	75 X 32.5
6	ACW1041210	3	HEXAGON FLANGE BOLT	ISO4162 M8X1.25X20-8 FLZN1
7	ACW1628350	1	FLAT WASHER	ISO887CZ 10-200HV FLZN1
8	ACW1040860	1	HEXAGON FLANGE BOLT	ISO4162 M10X1.5X70-10 FLZN1
9	ACW0701140	1	BELT TENSIONER	8 RIB
10	ACW1040870	1	HEXAGON FLANGE BOLT	ISO4162 M10X1.5X80-10 FLZN1
11	ACW7581510	1	STARTER	24V, SAE 1
12	ACW1856410	1	BELT TENSIONER	
13	ACW1027150	1	HEX NUT	ISO7044 M10X1.5-8 FLZN1
14	ACW1040880	1	HEXAGON FLANGE BOLT	ISO4162 M10X1.5X90-10 FLZN1
15	ACW1856380	1	IDLER SHAFT	
16	ACW1066510	3	SOCKET HEAD SETSCREW	ISO4762 M10X1.5X30-10 FLZN1
17	ACW1628580	1	FLAT WASHER	ISO887CZ 12-200HV FLZN1
18	ACW1955890	1	HEX BOLT	DIN931 M12X1.75X160-10 FLZN1
19	ACW1752870	1	ACCESSORY DRIVE BELT	CL7
20	ACW1027160	1	HEX FLANGE TOP LOCK NUT	ISO7044 M12X1.75-8 FLZN1
21	ACW1856390	1	ALTERNATOR MOUNT	
22	ACW1752880	1	WATER PUMP BELT	CL7
23	ACW1856370	1	SUPPORT	
24	ACW1066970	2	BELLEVILLE WASHER	DIN6796 10X23X2.5 FLZN1
25	ACW1040810	2	HEXAGON FLANGE BOLT	ISO4162 M10X1.5X40-10 FLZN1
26	ACW1066960	2	BELLEVILLE WASHER	DIN6796 8X18X2 FLZN1
27	ACW1493700	2	HEXAGON FLANGE BOLT	ISO4162 M8X1.25X25-10 FLZN1
28	ACW0479310	1	COMPRESSOR	
29	ACW1041300	3	HEXAGON FLANGE BOLT	ISO4162 M8X1.25X90-8 FLZN1
30	71479178	1	ALTERNATOR	320A

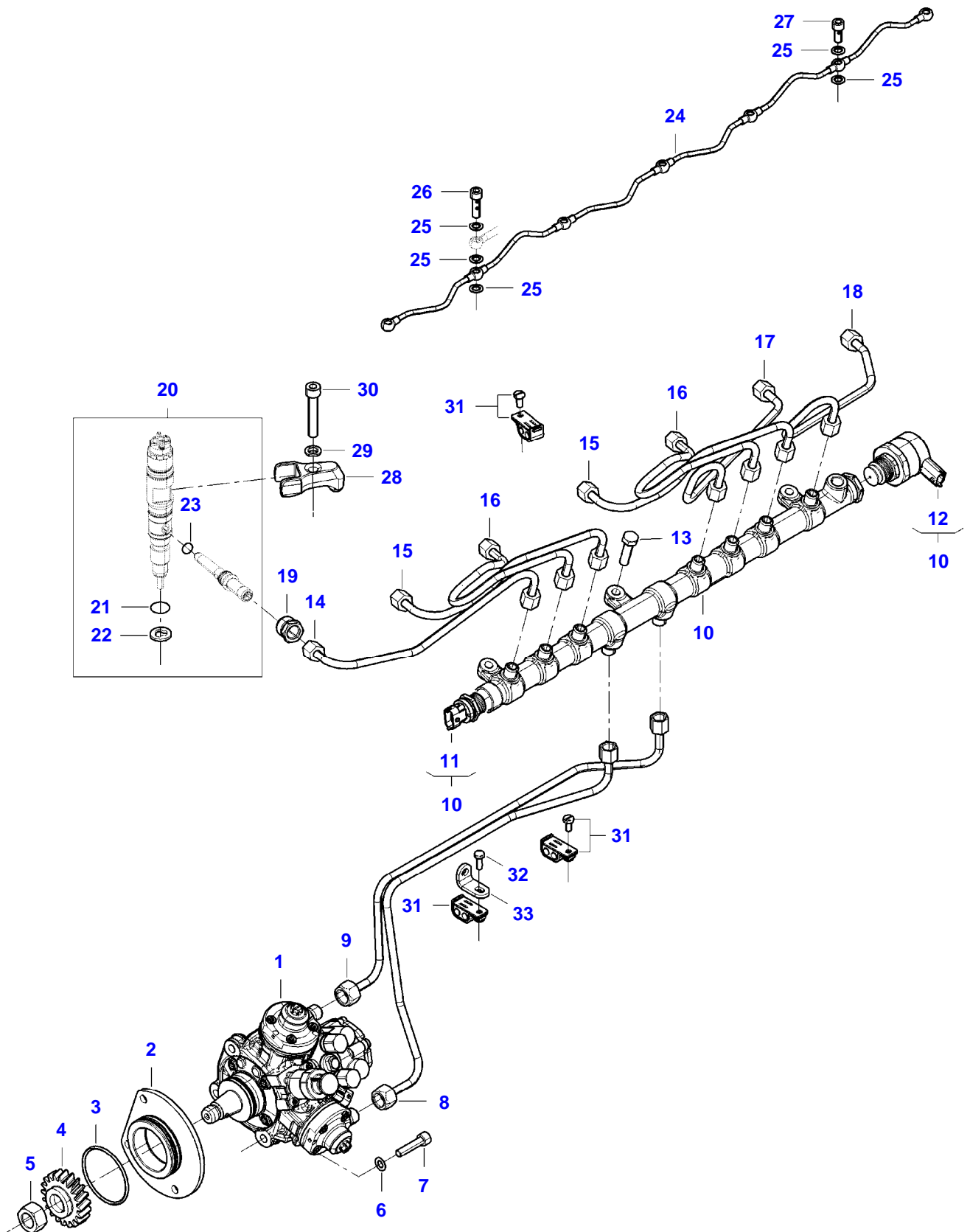
IDEAL CLASS 7 COMBINE  
20763516-H-1



20763516-H-1

Item	Part Number	Qty	Description Comments	Technical Specification
1	ACW1135490	6	CLAMPING PIPE	
2	402230X1	2	CABLE TIE MOUNT	2 T50-T250 CABLE TIES
3	ACW1135610	8	PIPE CLAMP	
4	ACW2862860	2	BULKHEAD FITTING	
5	ACW2161930	1	FUEL PRESSURE SENSOR	
6	ACW1959850	1	LINE SUPPORT	
7	ACW1960910	1	FITTING	
8	ACW1960220	1	RETURN TUBE	
9	ACX0033440	2	ADAPTER	1/2" X 7/8"
10	AG561227	3	HOSE CLAMP	0.44"-0.78",SAE 6,SS
11	ACW1041210	11	HEXAGON FLANGE BOLT	ISO4162 M8X1.25X20-8 FLZN1
12	ACW1061380	2	BLIND RIVET NUT	HRIV M10 F 0.5-3.0 ST OP ZNCR3
13	ACW1493700	1	HEXAGON FLANGE BOLT	ISO4162 M8X1.25X25-10 FLZN1
14	ACW2073880	1	BRACKET	
15	ACW1040780	5	HEXAGON FLANGE BOLT	ISO4162 M10X1.5X25-10 FLZN1
16	ACW1023940	4	HEX FLANGE NUT	ISO4161 M10X1.5-10 FLZN1
17	ACW1628570	1	FLAT WASHER	ISO887CL 10-200HV FLZN1
18	ACW1066970	1	BELLEVILLE WASHER	DIN6796 10X23X2.5 FLZN1
19	NS	1	NON-SERVICEABLE PART	
20	ACW4980500	1	CONNECTOR	
21	ACW1066950	6	BELLEVILLE WASHER	DIN2093-A 6X12.5X0.7 FLZN1
22	ACW1041150	6	HEXAGON FLANGE BOLT	ISO4162 M6X1X16-8 FLZN1
23	ACW1960210	1	TUBE	
24	ACW1960230	1	FUEL PUMP	
25	71470245	1	HOSE	5/16"ID X 675MM
26	ACW1959840	2	FITTING	1/2"
27	402295X1	5	CABLE TIE	L = 390 MM
28	ACW1040950	2	HEXAGON FLANGE BOLT	ISO4162 M12X1.75X50-10 FLZN1
29	ACW1023950	2	HEX FLANGE NUT	EN1661 M12X1.75-10 FLZN1
30	NS	1	NON-SERVICEABLE PART	
31	NS	1	NON-SERVICEABLE PART	
32	ACW1960990	1	FUEL LINE	
33	NS	1	NON-SERVICEABLE PART	
34	ACW1960950	1	TUBE ASSY	
35	ACW1960940	1	TUBE ASSY	
36	NS	1	NON-SERVICEABLE PART	

IDEAL CLASS 7 COMBINE  
APG18G2539

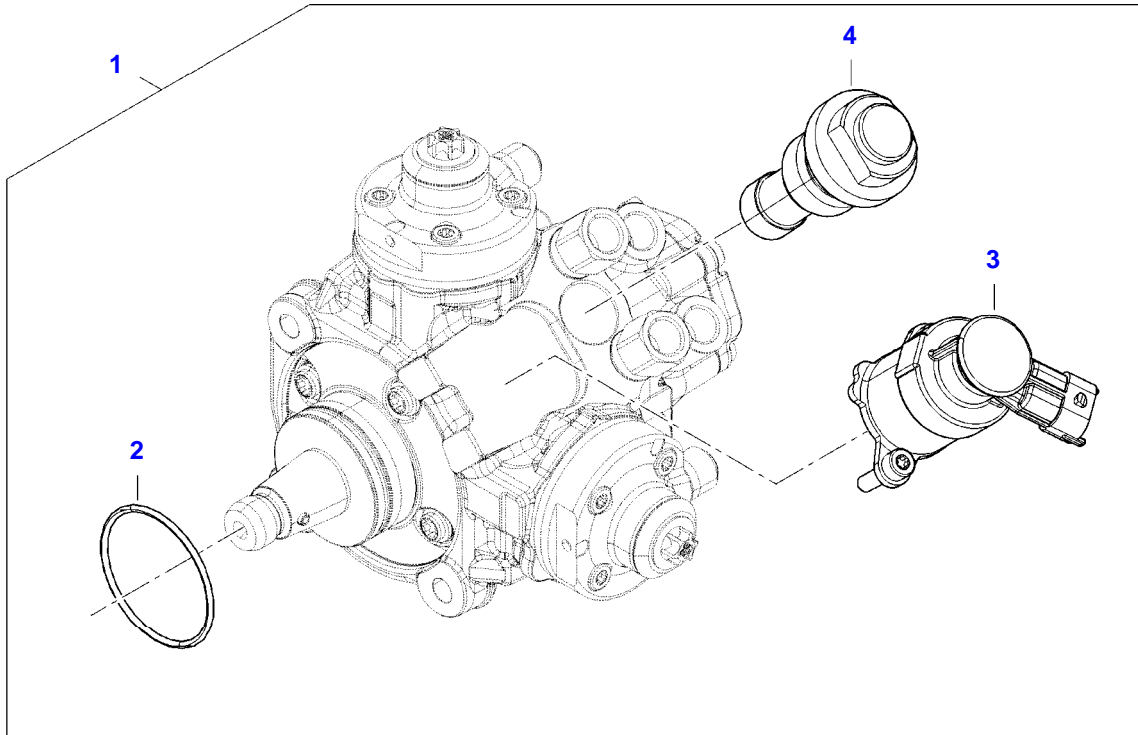


Item	Part Number	Qty	Description Comments	Technical Specification
1	V837074805	1	HIGH PRESSURE INJECTION PUMP SEE PAGE 01-0006	CP4-20/2
2	V837073688	1	FLANGE	
3	V614606230	1	O-RING [B]	
4	V837073563	1	GEAR,INJ.PUMP	
5	V504611802	1	NUT	
6	V500150842	3	WASHER	
7	V581804640	3	HEX SOCKET SCREW	
8	V837074684	1	FUEL PIPE	
9	V837074685	1	FUEL PIPE	
10	V837074653	1	RAIL PIPE INCLUDES ITEMS 11-12	
11	V837079833	1	FUEL PRESSURE SENSOR	
12	V837079834	1	FUEL PRESSURE VALVE	
13	V528801410	3	HEX CAP SCREW	
14	V837074679	1	INJECTION PIPE	
15	V837074680	2	INJECTION PIPE	
16	V837074681	2	INJECTION PIPE	
17	V837074682	1	INJECTION PIPE	
18	V837074683	1	INJECTION PIPE	
19	V837069268	1	NUT	
20	V837079827	7	INJECTOR INCLUDES ITEMS 21-23	
21	V837079978	1	O-RING [A][B]	
22	V837091049	1	SEALING RING [A][B]	
23	V837091050	1	O-RING [A][B]	
24	V837073506	1	INJECTOR OVERFLOW PIPE	
25	V836684767	15	SEALING WASHER [A][B]	
26	V837073118	1	DUAL BANJO BOLT	
27	V837073117	6	BANJO BOLT	
28	V837069007	7	FASTENER	
29	V837070121	7	WASHER	
30	V581704660	7	HEX SOCKET SCREW	
31	V837073721	5	RETAINER CLAMP	
32	V528801062	1	HEX CAP SCREW	
33	V837086065	1	SUPPORT	

**[A] INCLUDED IN CYLINDER HEAD GASKET KIT 1**

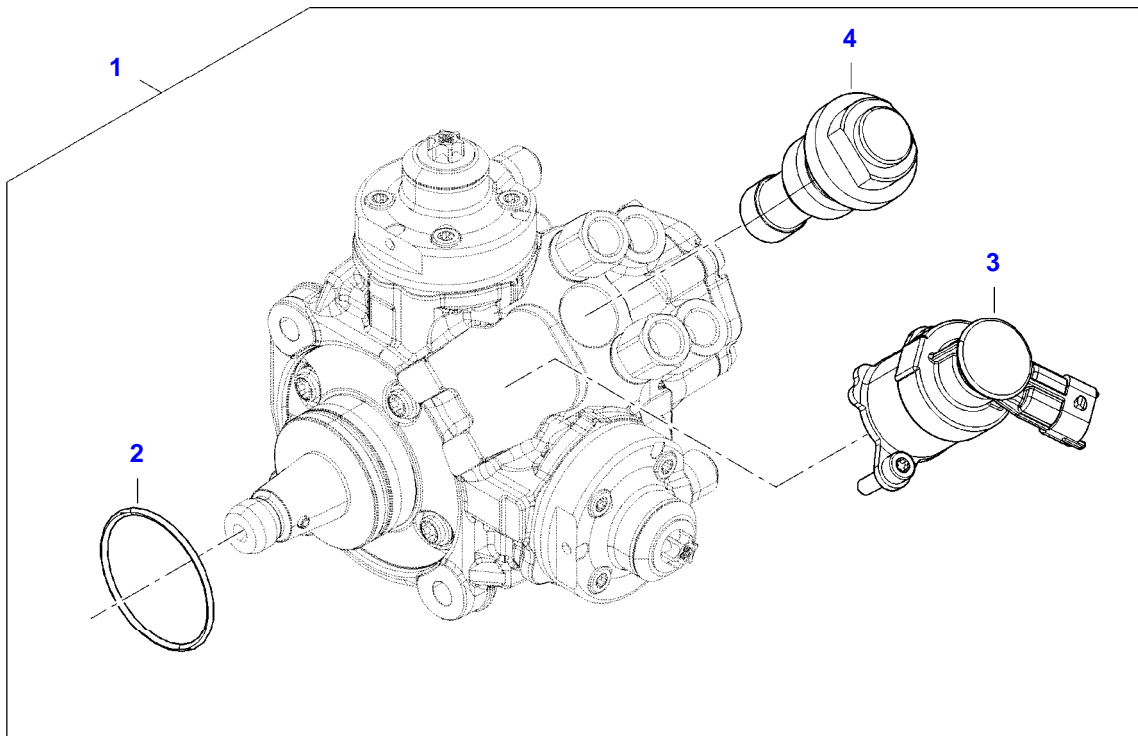
**[B] INCLUDED IN COMPLETE ENGINE GASKET KIT 2**

IDEAL CLASS 7 COMBINE  
APG18G2540



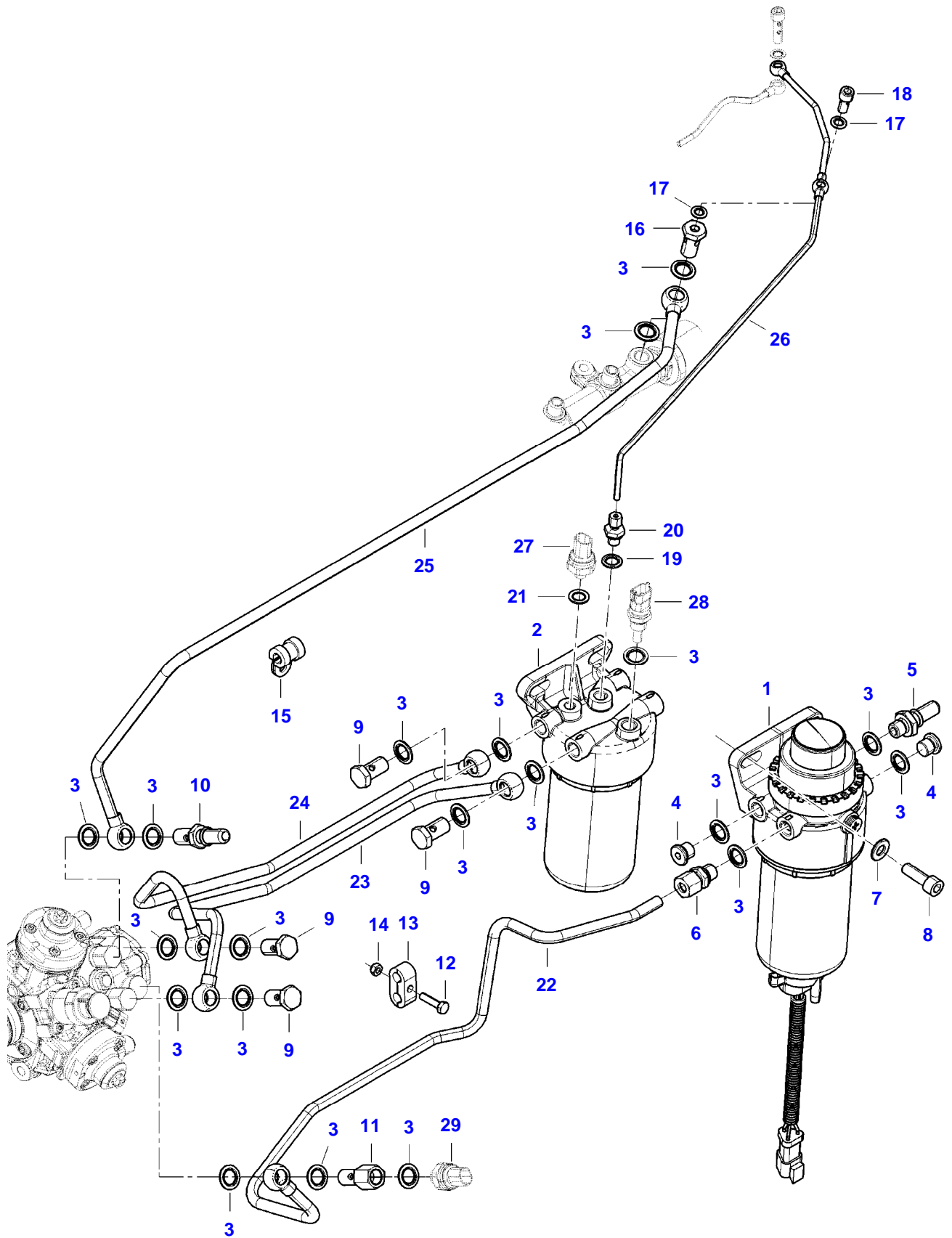
Item	Part Number	Qty	Description Comments	Technical Specification
1	V837074805	1	HIGH PRESSURE INJECTION PUMP INCLUDES ITEMS 2-4	CP4-20/2
2	V837079431	1	O-RING [B]	
3	V837079633	1	VALVE	
4	V837091124	1	VALVE [B] INCLUDED IN COMPLETE ENGINE GASKET KIT 2	CP4

IDEAL CLASS 7 COMBINE  
APG18G2540



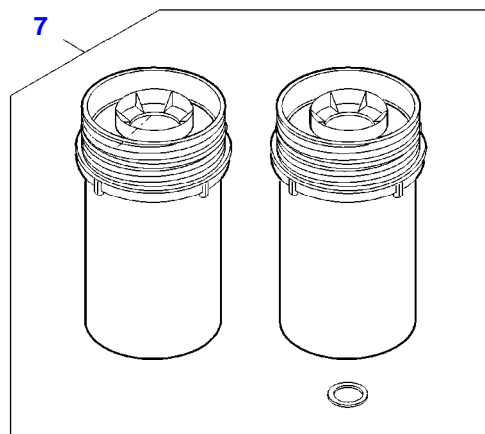
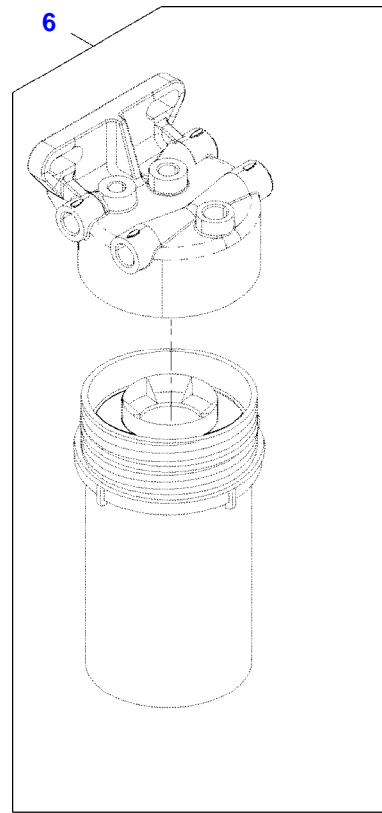
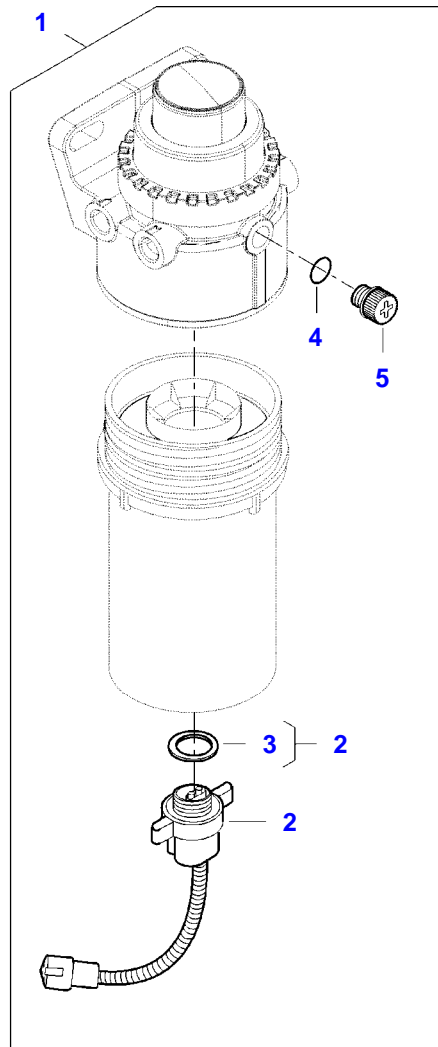
Item	Part Number	Qty	Description Comments	Technical Specification
1	V837074805	1	HIGH PRESSURE INJECTION PUMP INCLUDES ITEMS 2-4	CP4-20/2
2	V837079431	1	O-RING [B]	
3	V837079633	1	VALVE	
4	V837091124	1	VALVE [B] INCLUDED IN COMPLETE ENGINE GASKET KIT 2	CP4

IDEAL CLASS 7 COMBINE  
APG19G2541



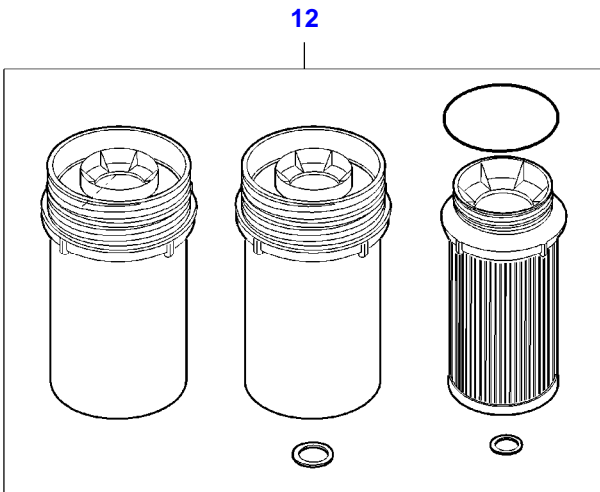
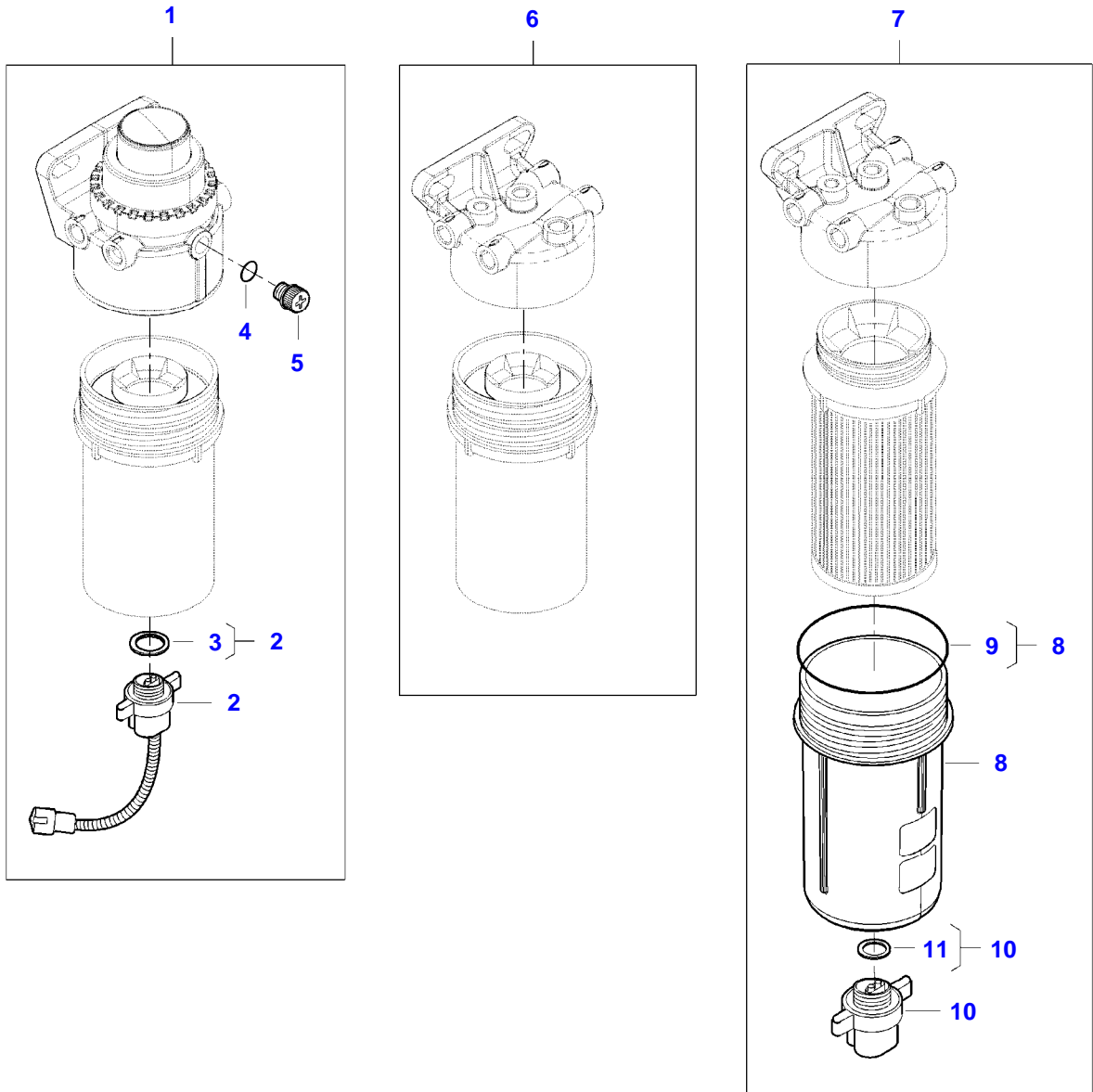
Item	Part Number	Qty	Description Comments
1	V837086172	1	FUEL PREFILTER ENGINE TYPE AWF SEE PAGE 01-0008
	V837086172	1	FUEL PREFILTER ENGINE TYPE AXW3 SEE PAGE 01-0009
2	V837086099	1	MAIN FUEL FILTER ENGINE TYPE AWF SEE PAGE 01-0008
	V837086099	1	MAIN FUEL FILTER ENGINE TYPE AXW3 SEE PAGE 01-0009
3	V836684770	20	SEALING WASHER [A][B]
4	V640325014	2	PLUG
5	V837086171	1	QUICK COUPLER
6	V641086010	1	STRAIGHT FITTING
7	V500151050	4	WASHER
8	V581705030	4	HEX SOCKET SCREW
9	V640435010	4	BANJO BOLT
10	V837074191	1	QUICK COUPLER
11	V837084064	1	BANJO BOLT
12	V528801102	2	HEX CAP SCREW
13	V602098110	2	RETAINER CLAMP
14	V510600602	2	NUT
15	V602060610	2	RETAINER CLAMP
16	V836007420	1	BANJO BOLT
17	V836684767	2	SEALING WASHER [A][B]
18	V837073117	1	BANJO BOLT
19	V836684769	1	SEALING WASHER [A][B]
20	V837074146	1	STRAIGHT FITTING
21	V615871016	1	SEALING WASHER [A][B]
22	V837073933	1	FUEL PIPE
23	V837073938	1	FUEL PIPE
24	V837073936	1	FUEL PIPE
25	V837074023	1	FUEL PIPE
26	V837074026	1	FUEL PIPE
27		1	SEE PAGE 02-0028
28		1	SEE PAGE 02-0028
29		1	SEE PAGE 02-0028 [A] INCLUDED IN CYLINDER HEAD GASKET KIT 1 [B] INCLUDED IN COMPLETE ENGINE GASKET KIT 2

IDEAL CLASS 7 COMBINE  
APG19G2542



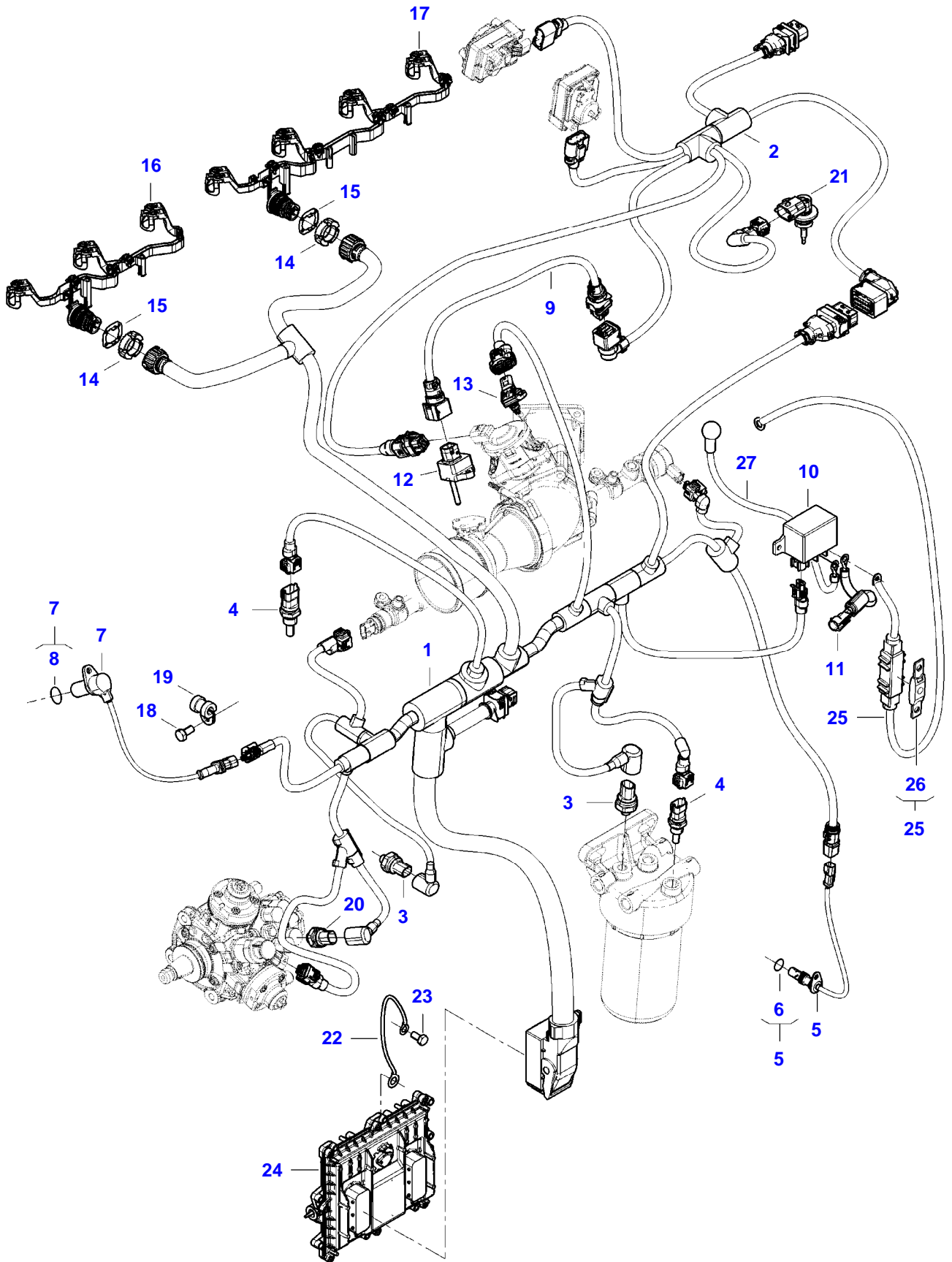
<b>Item</b>	<b>Part Number</b>	<b>Qty</b>	<b>Description</b> <b>Comments</b>
1	V837086172	1	FUEL PREFILTER INCLUDES ITEMS 2-5
2	V837074054	1	FUEL FILTER WATER ALARM INCLUDES ITEMS 3
3	V837091271	1	SEAL
4	V837079628	1	O-RING
5	V837079627	1	BLEED SCREW
6	V837086099	1	MAIN FUEL FILTER
7	V837091129	1	FUEL FILTER KIT

IDEAL CLASS 7 COMBINE  
APG19G2549



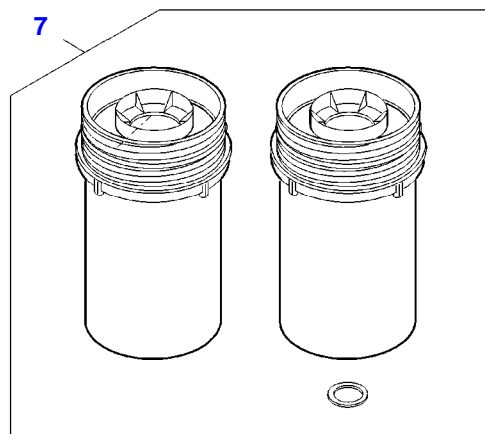
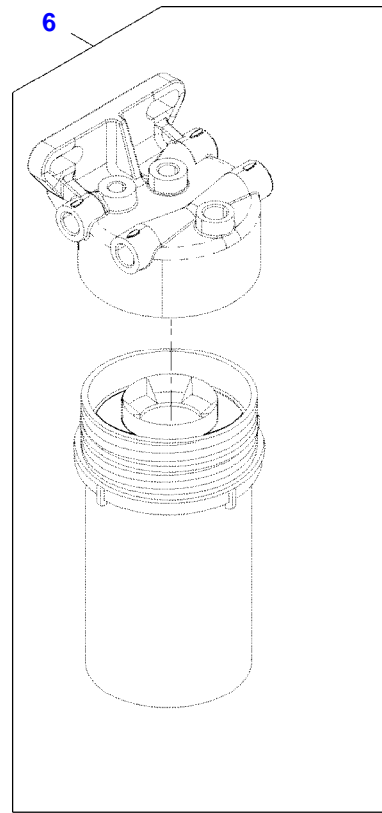
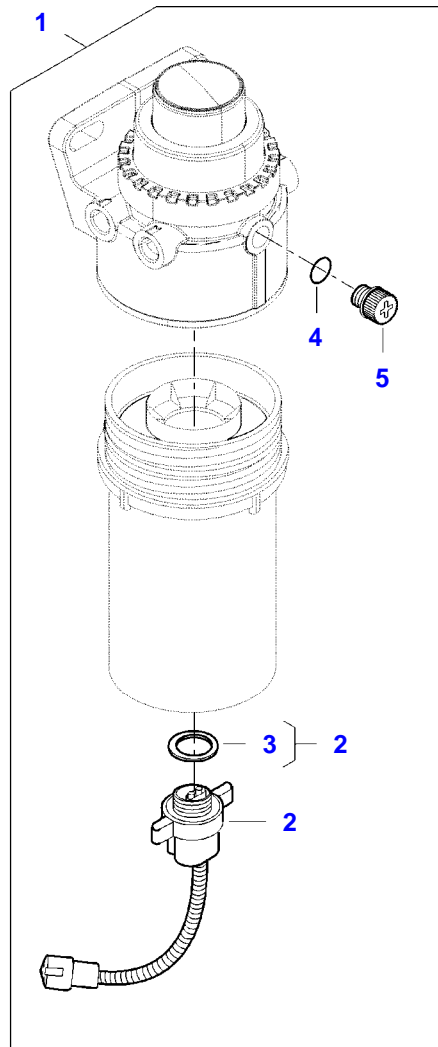
Item	Part Number	Qty	Description Comments
1	V837086172	1	FUEL PREFILTER INCLUDES ITEMS 2-5
2	V837074054	1	FUEL FILTER WATER ALARM INCLUDES ITEMS 3
3	V837091271	1	SEAL
4	V837079628	1	O-RING
5	V837079627	1	BLEED SCREW
6	V837086099	1	MAIN FUEL FILTER
7	V837086122	1	FUEL PREFILTER INCLUDES ITEMS 8-11
8	V837086380	1	SEDIMENT BOWL INCLUDES ITEMS 9
9	V837086379	1	O-RING
10	V837079761	1	DRAIN VALVE INCLUDES ITEMS 11
11	V837091271	1	SEAL
12	V837091385	1	FUEL FILTER KIT

IDEAL CLASS 7 COMBINE  
APG20G2543



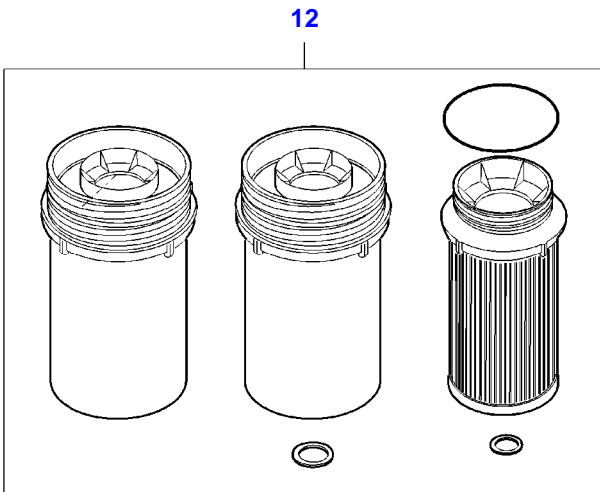
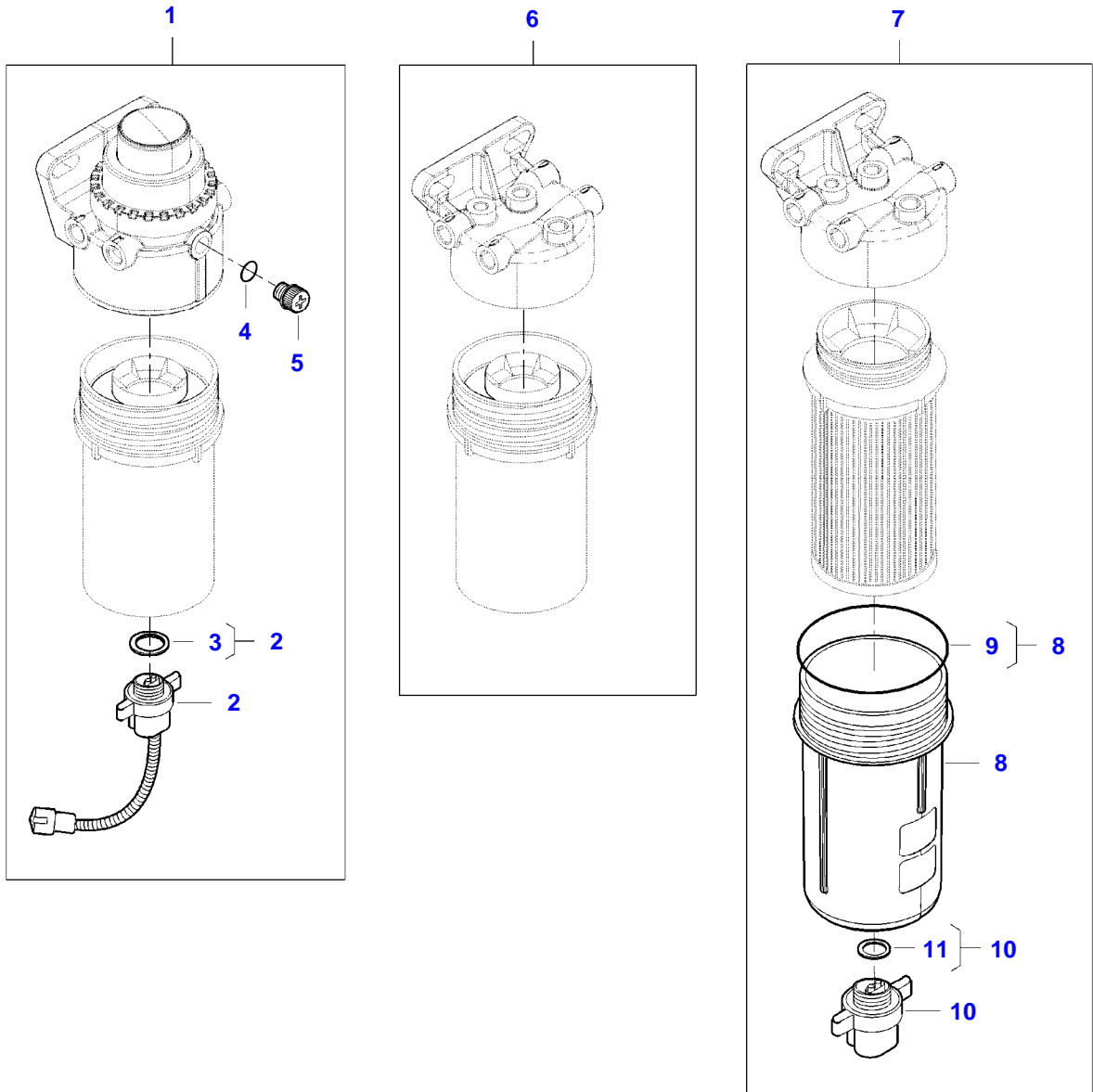
Item	Part Number	Qty	Description Comments
1	ACW2275730	1	ENGINE WIRE HARNESS
2	ACW2342280	1	ENGINE WIRE HARNESS
3	V837070201	2	PRESSURE SENSOR
4	V836667732	2	TEMPERATURE SENSOR
5	ACW0830170	1	CRANKSHAFT SPEED SENSOR INCLUDES ITEMS 6
6	V837091429	2	O-RING
7	V837070189	1	SPEED SENSOR INCLUDES ITEMS 8
8	V614601718	1	O-RING
9	V837084708	1	WIRE
10	V837069047	1	SOLENOID
11	V837073594	1	WIRE
12	V837074737	1	MASS AIR FLOW SENSOR (MAF)
13	V837084326	1	BOOST PRESSURE SENSOR
14	V837073921	2	LOCKING RING
15	V837073922	2	LOCKING PLATE
16	V837084141	1	ENGINE WIRE HARNESS
17	V837074692	1	ENGINE WIRE HARNESS
18	V528801362	2	HEX CAP SCREW
19	V602060610	1	RETAINER CLAMP
20	V837070209	1	PRESSURE SENSOR
21	V837074507	1	TEMPERATURE SENSOR
22	V837070292	1	GROUND WIRE
23	V528801342	1	HEX CAP SCREW
24	V837074863	1	ENGINE CONTROL UNIT
25	V837070054	1	WIRE INCLUDES ITEMS 26
26	V836864541	1	FUSE 250A
27	V837084201	1	WIRE

IDEAL CLASS 7 COMBINE  
APG19G2542



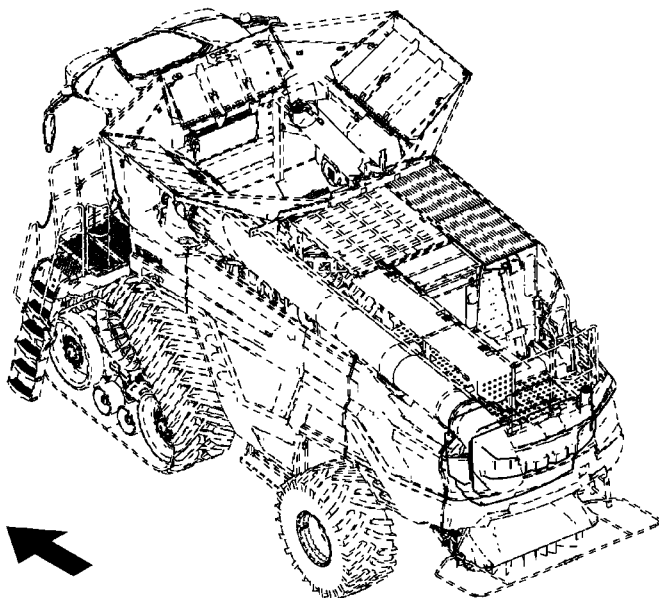
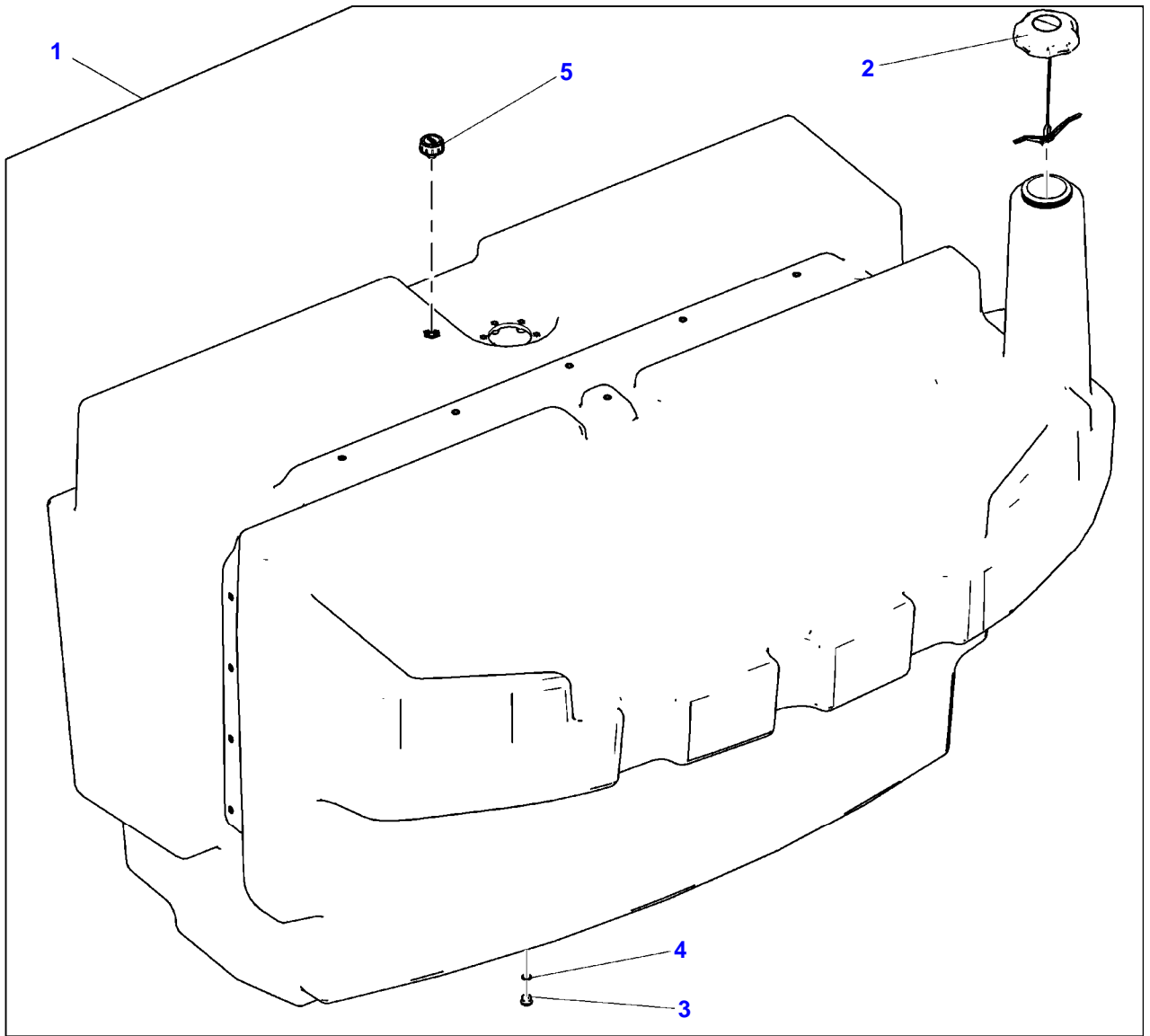
<b>Item</b>	<b>Part Number</b>	<b>Qty</b>	<b>Description</b> <b>Comments</b>
1	V837086172	1	FUEL PREFILTER INCLUDES ITEMS 2-5
2	V837074054	1	FUEL FILTER WATER ALARM INCLUDES ITEMS 3
3	V837091271	1	SEAL
4	V837079628	1	O-RING
5	V837079627	1	BLEED SCREW
6	V837086099	1	MAIN FUEL FILTER
7	V837091129	1	FUEL FILTER KIT

IDEAL CLASS 7 COMBINE  
APG19G2549



Item	Part Number	Qty	Description Comments
1	V837086172	1	FUEL PREFILTER INCLUDES ITEMS 2-5
2	V837074054	1	FUEL FILTER WATER ALARM INCLUDES ITEMS 3
3	V837091271	1	SEAL
4	V837079628	1	O-RING
5	V837079627	1	BLEED SCREW
6	V837086099	1	MAIN FUEL FILTER
7	V837086122	1	FUEL PREFILTER INCLUDES ITEMS 8-11
8	V837086380	1	SEDIMENT BOWL INCLUDES ITEMS 9
9	V837086379	1	O-RING
10	V837079761	1	DRAIN VALVE INCLUDES ITEMS 11
11	V837091271	1	SEAL
12	V837091385	1	FUEL FILTER KIT

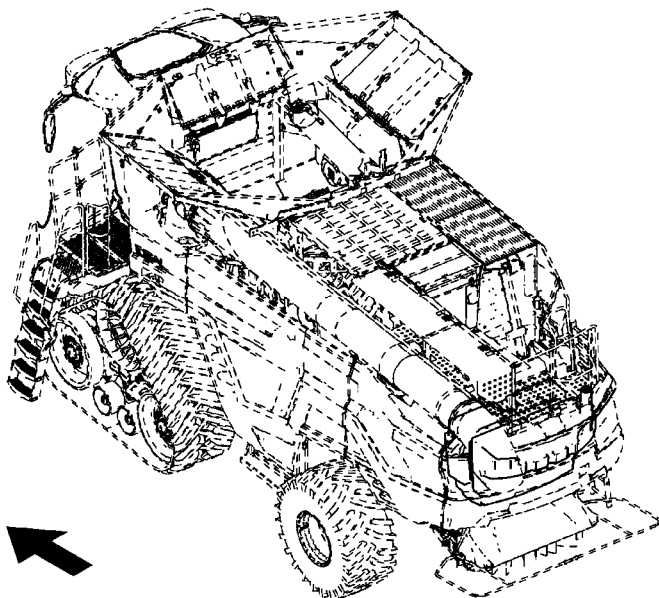
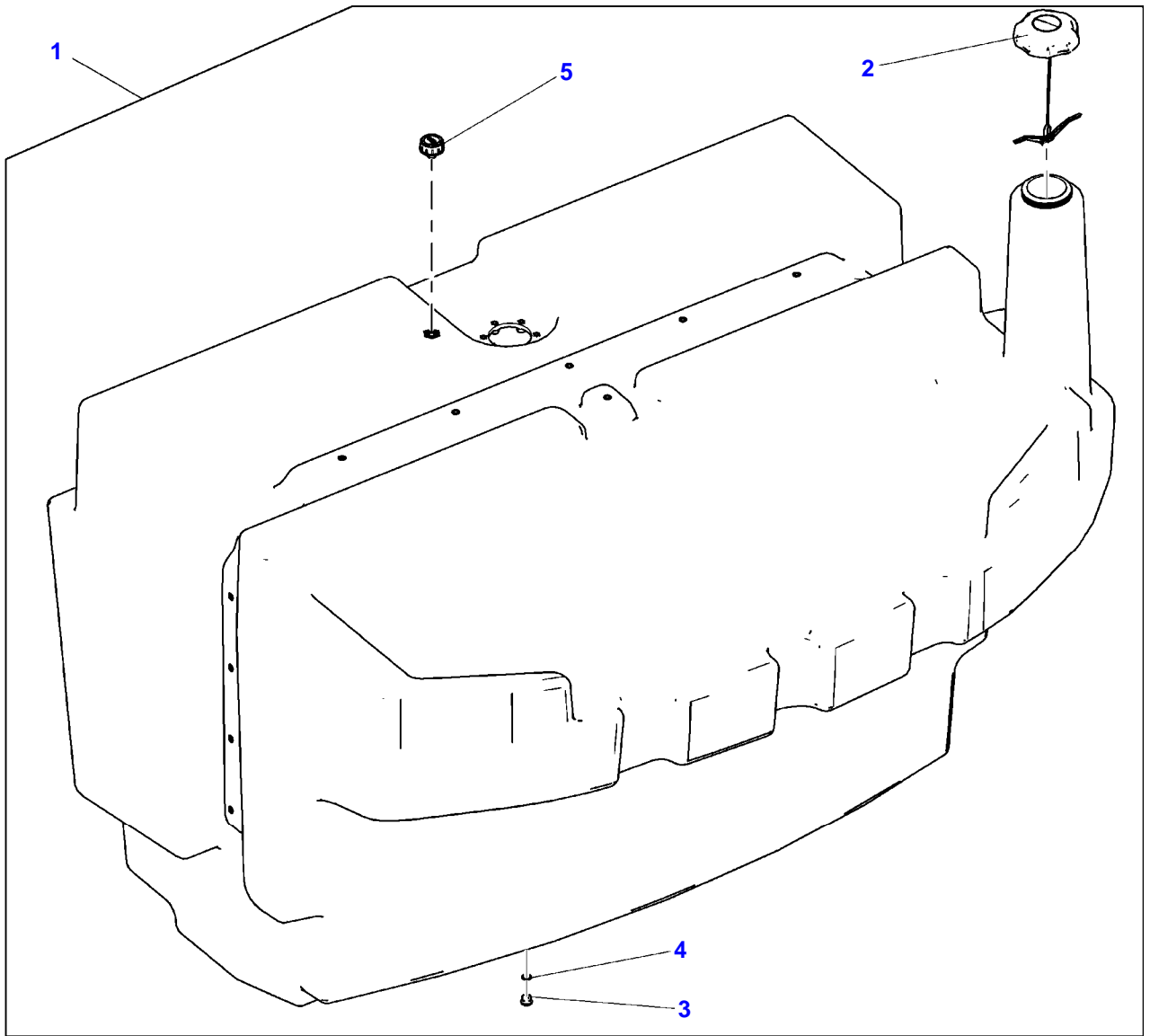
IDEAL CLASS 7 COMBINE  
20106190-H-1



20106190-H-1

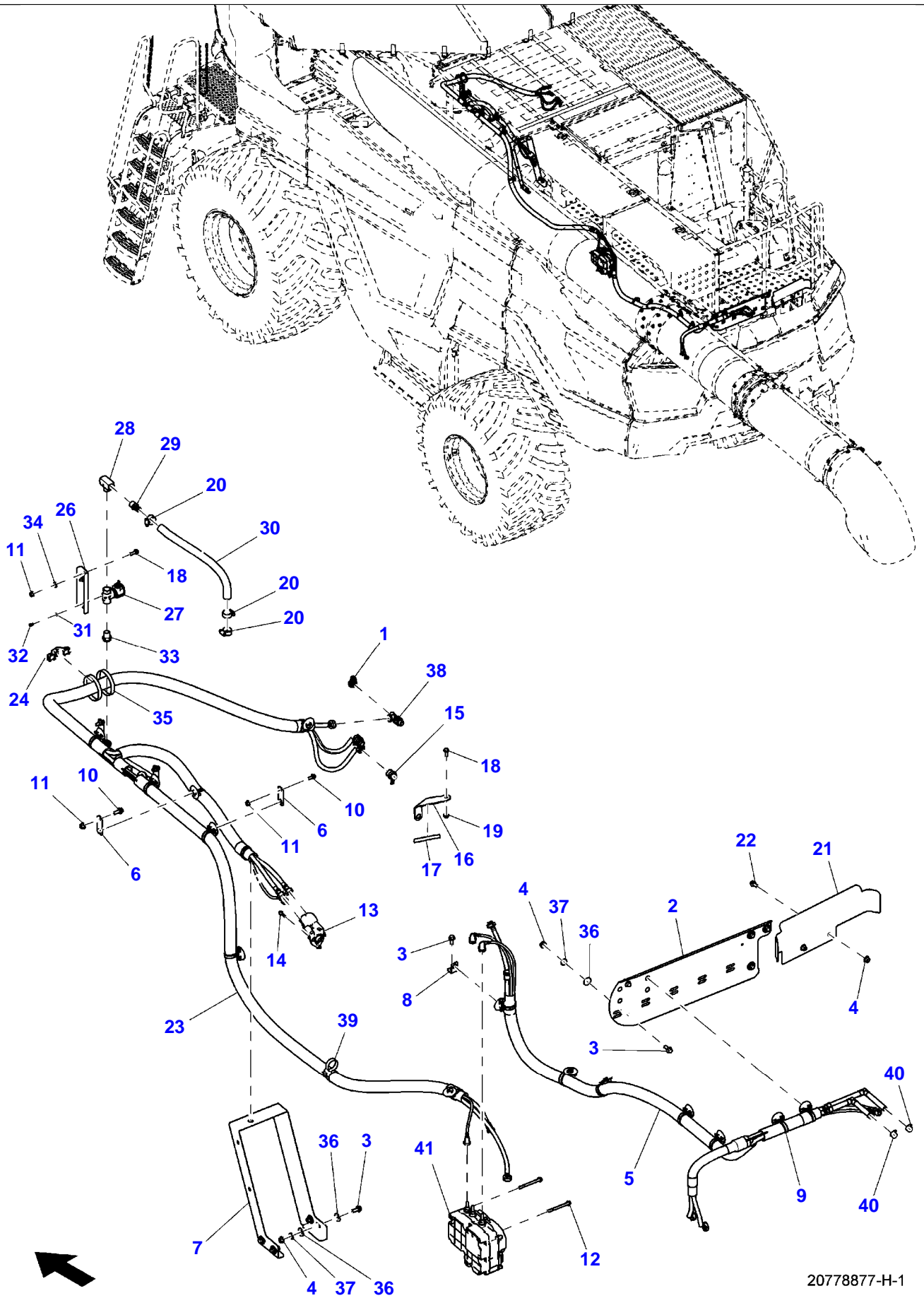
Item	Part Number	Qty	Description Comments	Technical Specification
			1000L 264 GALLONS	
1	ACW186090B	1	FUEL TANK	1000L
2	ACW1868120	1	FUEL CAP	
3	71444855	1	PLUG	M14 X 1.5
4	71443167	1	O-RING	11.3MM ID X 2.4MM
5	ACW1305460	1	BREATHER	

IDEAL CLASS 7 COMBINE  
20106191-H-1



Item	Part Number	Qty	Description Comments	Technical Specification
			1250L 330 GALLONS	
1	ACW186832B	1	FUEL TANK	1250L
2	ACW1868120	1	FUEL CAP	
3	71444855	1	PLUG	M14 X 1.5
4	71443167	1	O-RING	11.3MM ID X 2.4MM
5	ACW1305460	1	BREATHER	

IDEAL CLASS 7 COMBINE  
20778877-H-1



20778877-H-1



**Suggest:**

**For more complete manuals. Please go to the home page.**

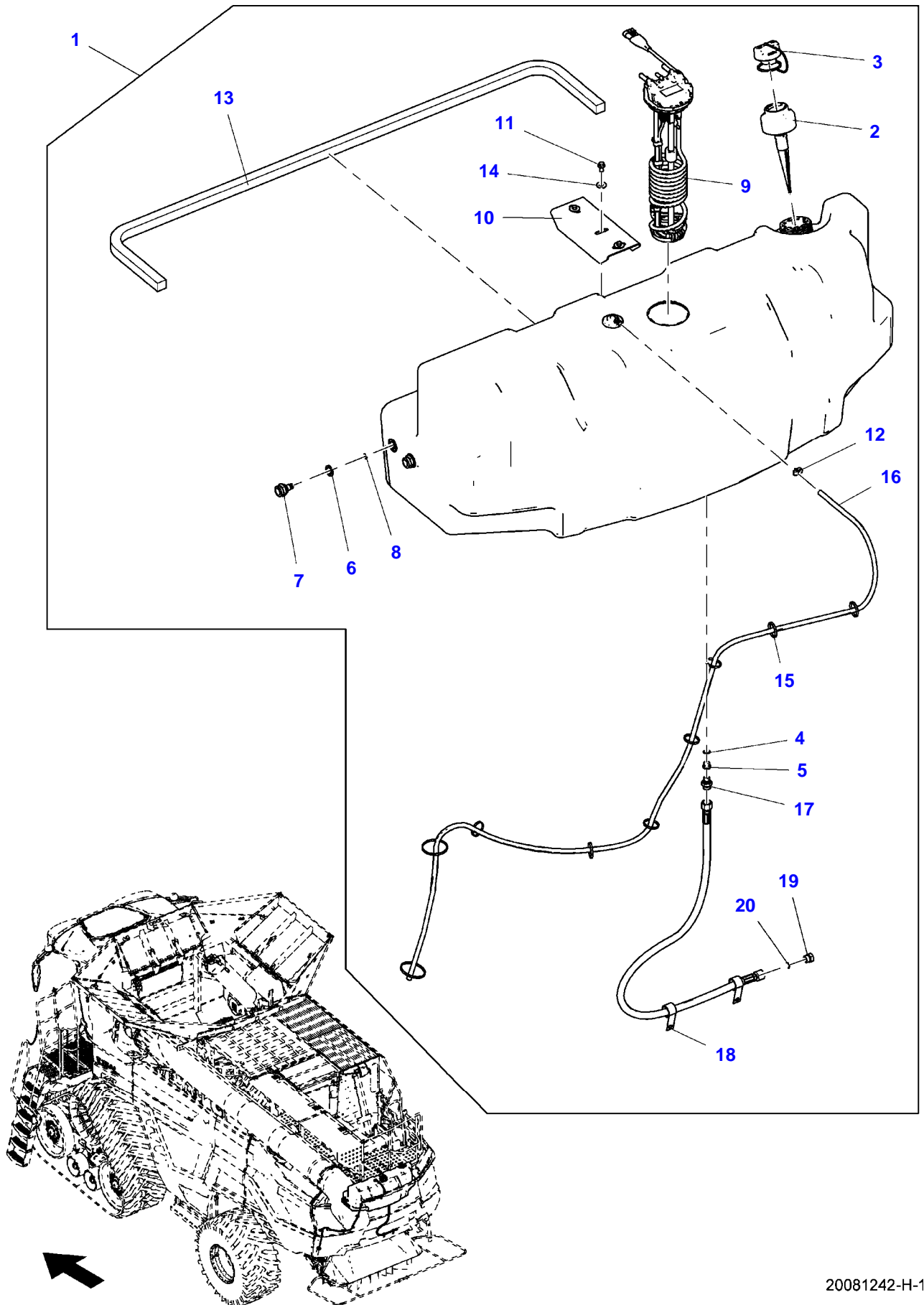
**<https://www.ebooklibonline.com>**

**If the above button click is invalid. Please download this document first, and then click the above link to download the complete manual.**

**Thank you so much for reading**

Item	Part Number	Qty	Description Comments	Technical Specification
1	ACW4639530	1	PLUG	
2	ACW3789670	1	HOSE SUPPORT	
3	ACW1040780	9	HEXAGON FLANGE BOLT	ISO4162 M10X1.5X25-10 FLZN1
4	ACW1023940	11	HEX FLANGE NUT	ISO4161 M10X1.5-10 FLZN1
5	ACW4190890	1	LINE	
6	ACW4662930	4	PLATE	
7	ACW4665030	1	SUPPORT	
8	ACW3798010	1	ANGLE	
9	ACW4665110	15	CABLE TIE	
10	ACW1041210	5	HEXAGON FLANGE BOLT	ISO4162 M8X1.25X20-8 FLZN1
11	ACW1023930	6	HEX FLANGE NUT	EN1661 M8X1.25-10 FLZN1
12	ACW1041300	3	HEXAGON FLANGE BOLT	ISO4162 M8X1.25X90-8 FLZN1
13	V837074663	1	DOSING MODULE	
14	ACW1041180	3	HEXAGON FLANGE BOLT	ISO4162 M6X1X30-8 FLZN1
15	71441714	2	ADAPTER FITTING	M18
16	ACW4665060	1	SUPPORT STAND	
17	71470240	1	TRIM SEAL	3.543"
18	ACW1493700	3	HEXAGON FLANGE BOLT	ISO4162 M8X1.25X25-10 FLZN1
19	ACW1027140	1	HEX FLANGE NUT	ISO7044 M8X1.25-8 FLZN1
20	AG561229	3	HOSE CLAMP	13/16"-1-3/4" , SAE 20 ,SS
21	ACW2086710	1	SPLASH SHIELD	
22	ACW1040770	2	HEXAGON FLANGE BOLT	ISO4162 M10X1.5X20-10 FLZN1
23	ACW4202260	1	LINE	
24	402230X1	1	CABLE TIE MOUNT	2 T50-T250 CABLE TIES
26	ACW2007020	1	SUPPORT	
27	700735660	1	COOLANT VALVE	
28	700735657	1	TEE FITTING	1/2" NPT
29	700735658	1	HOSE BARB	1/2" NPT X 5/8" BARB
30	ACW1922640	1	HEATER HOSE	
31	ACW1064090	2	FLAT WASHER	ISO887CN 5-200HV ELZN3
32	ACW1494290	2	SOCKET HEAD SETSCREW	ISO4762 M5X0.8X10-10 FLZN1
33	71441713	1	ADAPTER FITTING	1/2" NPT X NS12 NPTF
34	ACW1066960	2	BELLEVILLE WASHER	DIN6796 8X18X2 FLZN1
35	402295X1	2	CABLE TIE	L = 390 MM
36	ACW1628570	13	FLAT WASHER	ISO887CL 10-200HV FLZN1
37	ACW1066970	9	BELLEVILLE WASHER	DIN6796 10X23X2.5 FLZN1
38	ACW4639510	1	TEE	
39	700734126	1	DUAL CLAMP TIE	L = 489 MM
40	AG561227	2	HOSE CLAMP	0.44"-0.78",SAE 6,SS
41	V837084092	1	SUPPLY MODULE	

IDEAL CLASS 7 COMBINE  
20081242-H-1



20081242-H-1

**<https://www.ebooklibonline.com>**

Hello dear friend!

Thank you very much for reading.

Enter the link into your browser.

The full manual is available for immediate download.

**<https://www.ebooklibonline.com>**