

Page Number	Page Title	Page Reference
01-000-TOC	ENGINE V835477894 98 AWF-HLA/AXW3	01-000-TOC
02-000-TOC	ENGINE INSTALLATION	02-000-TOC
03-000-TOC	DRIVE SYSTEM	03-000-TOC
04-000-TOC	AXLES	04-000-TOC
05-000-TOC	STEERING SYSTEM	05-000-TOC
06-000-TOC	DRIVE TRAIN SYSTEM	06-000-TOC
07-000-TOC	BRAKE SYSTEM	07-000-TOC
08-000-TOC	HYDRAULIC SYSTEM	08-000-TOC
09-000-TOC	ELECTRICAL SYSTEM	09-000-TOC
10-000-TOC	CAB	10-000-TOC
11-000-TOC	AIR CONDITIONING AND HEATING SYSTEM	11-000-TOC
12-000-TOC	CHASSIS	12-000-TOC
13-000-TOC	DECALS	13-000-TOC
14-000-TOC	WHEELS	14-000-TOC
15-000-TOC	FEEDING SYSTEM	15-000-TOC
16-000-TOC	THRESHING SYSTEM	16-000-TOC
17-000-TOC	CLEANING SYSTEM	17-000-TOC
18-000-TOC	GRAIN BIN AND ELEVATOR SYSTEM	18-000-TOC
19-000-TOC	DISCHARGE SYSTEM	19-000-TOC
20-000-TOC	PRECISION FARMING SYSTEMS	20-000-TOC
21-000-TOC	ACCESSORIES	21-000-TOC

Page Number	Page Title	Page Reference
01-0001	ENGINE ASSEMBLIES	1MDL2249272
01-0002	CYLINDER BLOCK - UP TO ENGINE SERIAL NUMBER E62506 - HYDRAULIC LASH ADJUSTMENT	1MDL2428182
01-0003	CYLINDER BLOCK - STARTING FROM ENGINE SERIAL NUMBER E62507 - HYDRAULIC LASH ADJUSTMENT	1MDL2428183
01-0004	CYLINDER BLOCK - SERVICE PARTS	1MDL2247524
01-0005	TIMING GEARS AND HOUSING	1MDL2238208
01-0006	FLYWHEEL AND HOUSING	1MDL2241615
01-0007	CRANKSHAFT AND PISTONS	1MDL2241909
01-0008	CAMSHAFT AND VALVE MECHANISM - HYDRAULIC LASH ADJUSTMENT	1MDL2242032
01-0009	VALVE MECHANISM - SERVICE PARTS	1MDL2243321
01-0010	VALVE MECHANISM - SERVICE PARTS	1MDL2243322
01-0011	CYLINDER HEAD	1MDL2429073
01-0012	CYLINDER HEAD - SERVICE PARTS	1MDL2429903
01-0013	CYLINDER HEAD - SERVICE PARTS	1MDL2429904
01-0014	VALVE ROCKER COVER	1MDL2242127
01-0015	INTAKE MANIFOLD	1MDL2242370
01-0016	EXHAUST MANIFOLD - UP TO ENGINE SERIAL NUMBER E62506	1MDL2429074
01-0017	EXHAUST MANIFOLD - STARTING FROM ENGINE SERIAL NUMBER E62507	1MDL2429075
01-0018	HIGH PRESSURE TURBOCHARGER	1MDL2244671
01-0019	HIGH PRESSURE TURBOCHARGER - SERVICE PARTS	1MDL2244673
01-0020	LOW PRESSURE TURBOCHARGER	1MDL2244884
01-0021	INTERSTAGE CHARGE AIR COOLER (ICAC)	1MDL2431894
01-0022	EXHAUST GAS RECIRCULATION (EGR)	1MDL2244969
01-0023	OIL PUMP AND SUMP	1MDL2245225
01-0024	OIL PUMP - SERVICE PARTS	1MDL2245226
01-0025	OIL COOLER AND FILTER	1MDL2245264
01-0026	CLOSED CRANKCASE VENTILATION (CCV)	1MDL2245349
01-0027	CCV UNIT - SERVICE PARTS	1MDL2245372
01-0028	COOLANT PUMP AND THERMOSTAT	1MDL2245694
01-0029	COOLANT PUMP - SERVICE PARTS	1MDL2245697
01-0030	FUEL INJECTION SYSTEM	1MDL2245731
01-0031	FUEL INJECTION PUMP - SERVICE PARTS	1MDL2245733
01-0032	FUEL FILTERS	1MDL2246272
01-0033	FUEL FILTERS - SERVICE PARTS - ENGINE TYPE AWF	1MDL2246323
01-0034	FUEL FILTERS - SERVICE PARTS - ENGINE TYPE AXW3	1MDL2247269
01-0035	ELECTRONIC ENGINE MANAGEMENT	1MDL2246769
01-0036	FAN DRIVE	1MDL2246777
01-0037	FAN DRIVE - SERVICE PARTS	1MDL2246778
01-0038	EXHAUST AFTERTREATMENT - SERVICE PARTS - ENGINE TYPE AXW3	1MDL2429077
01-0039	EXHAUST AFTERTREATMENT - SERVICE PARTS - ENGINE TYPE AWF	1MDL2246816
01-0040	ENGINE OVERHAUL PARTS	1MDL2435568
01-0041	SPECIAL OVERHAUL PARTS	1MDL2247108

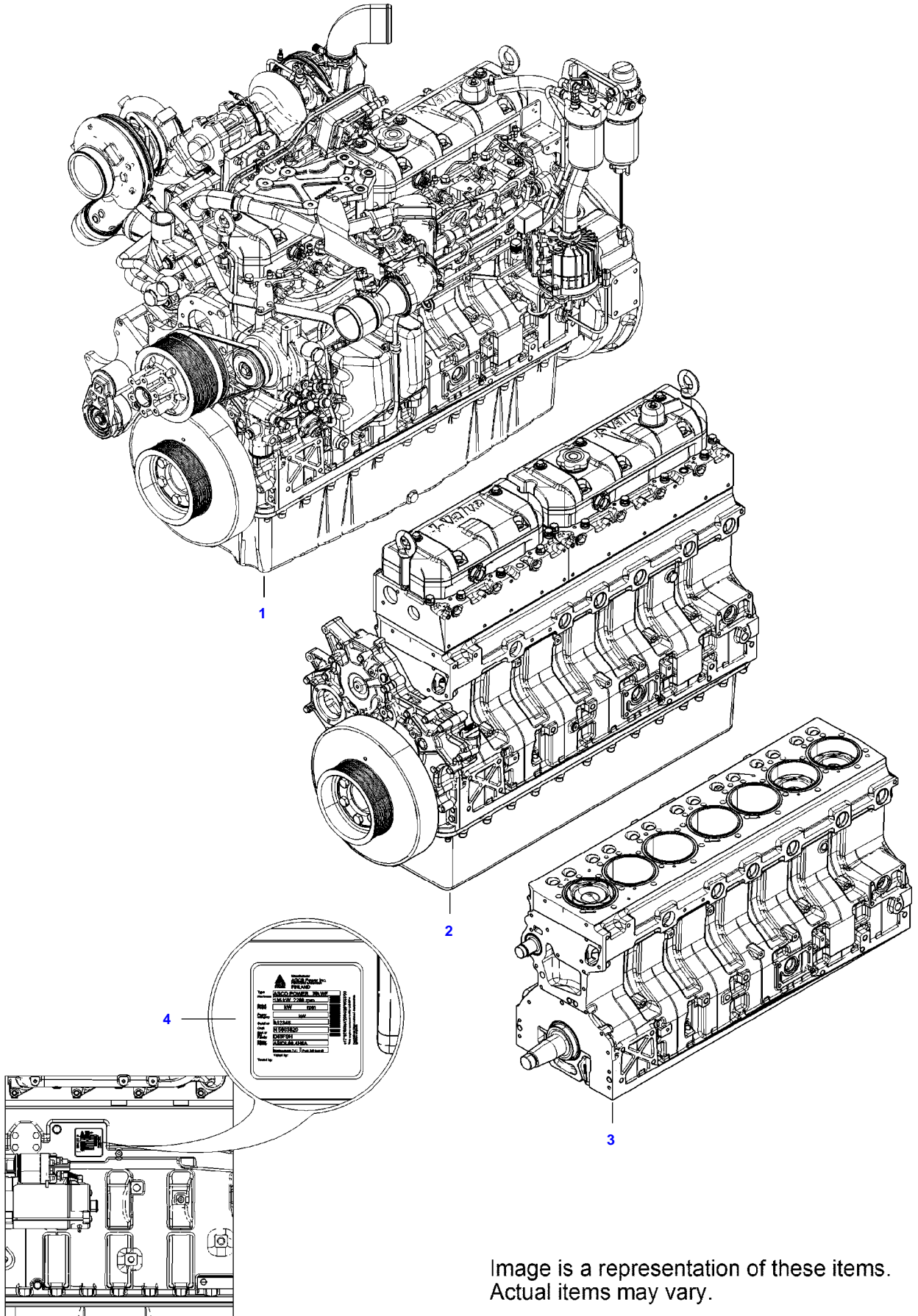


Image is a representation of these items.
Actual items may vary.

<https://www.ebooklibonline.com>

Hello dear friend!

Thank you very much for reading.

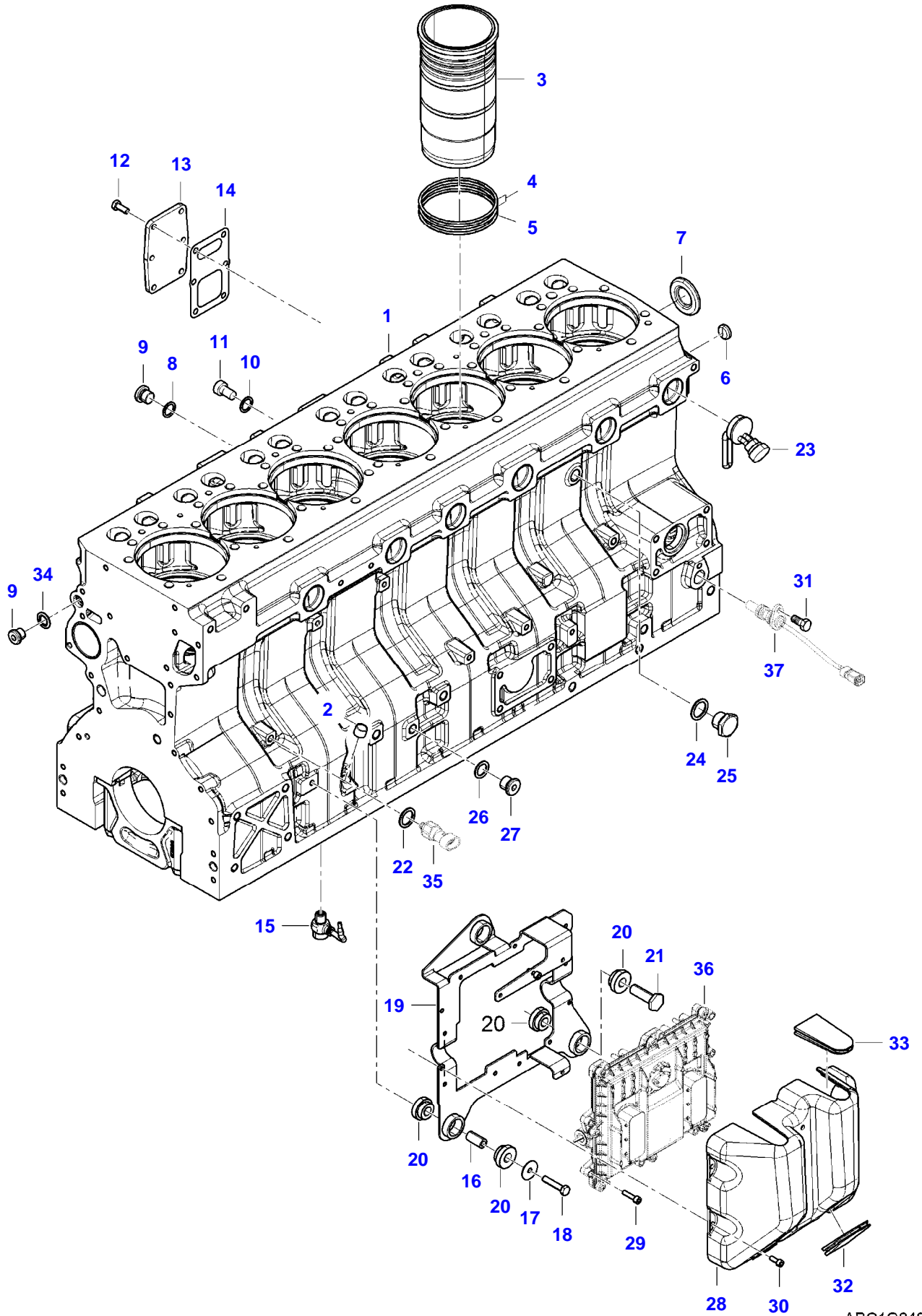
Enter the link into your browser.

The full manual is available for immediate download.

<https://www.ebooklibonline.com>

Item	Part Number	Qty	Description Comments	Technical Specification
1	V835477894	1	ENGINE	98 AWF-HLA/AXW3
2	865491667V	1	LONG BLOCK ENGINE	98 AWF-HLA/LFVC
3	865491613X	1	SHORT BLOCK ENGINE	98 AWF-HLA/LFVC
4	V837079921	1	LABEL ENGINE TYPE PLATE	

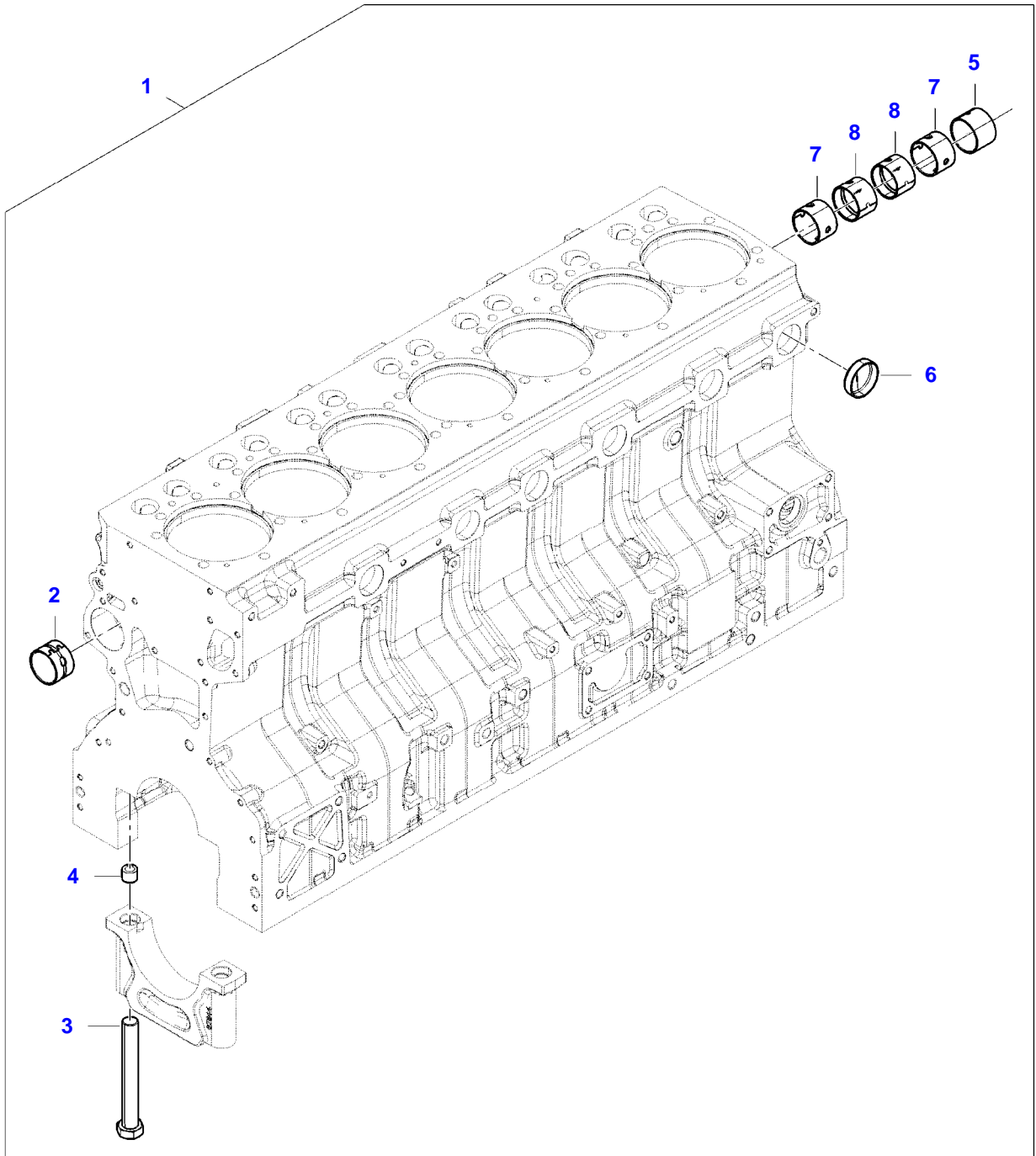
IDEAL 7 COMBINE (2018) (ZN2C0007P03010001-999)
APG1G2493



HYDRAULIC LASH ADJUSTMENT

Item	Part Number	Qty	Description Comments	Technical Specification
1	V837086429	1	CYLINDER BLOCK SEE PAGE 01-0004	98 AWF-HLA/LFVC
2	V640016012	1	CUP PLUG	
3	V836867048	7	LINER	
4	V836855446	14	CYLINDER LINER O-RING [B]	
5	V836855447	7	CYLINDER LINER O-RING [B]	
6	V640016016	2	CUP PLUG [B]	
7	V836852744	1	PLUG	
8	V615871014	6	SEALING WASHER [B]	
9	V640325110	8	SCREW PLUG	
10	V836684767	1	SEALING WASHER	
11	V581804570	1	HEX SOCKET SCREW	
12	V528801382	6	HEX CAP SCREW	
13	V836846444	1	COVER	
14	V836322852	1	GASKET [B]	
15	V837084973	7	PISTON COOLING JET	
16	V836855626	2	SPACER	
17	V500750842	2	WASHER	
18	V529801430	2	HEX CAP SCREW	
19	V837084081	1	ECU BRACKET	
20	V837084129	6	DAMPER	
21	V837069056	1	HEX CAP SCREW	
22	V615871016	1	SEALING WASHER [B]	
23	V836840934	1	ENGINE BLOCK HEATER	
24	V615881824	1	SEALING WASHER [B]	
25	V836019756	1	PLUG	
26	V615881420	1	SEALING WASHER [B]	
27	V640325014	1	PLUG	
28	V837084080	1	COVER	
29	V581804222	8	HEX SOCKET SCREW	
30	V581804182	6	HEX SOCKET SCREW	
31	V528801362	1	HEX CAP SCREW	
32	V837084661	1	SHIELD	
33	V837084136	2	SHIELD	
34	V836684768	2	SEALING WASHER [B]	
35		1	SEE PAGE 01-0035	
36		1	SEE PAGE 01-0035	
37		1	SEE PAGE 01-0035 [B] INCLUDED IN COMPLETE ENGINE GASKET KIT 2	

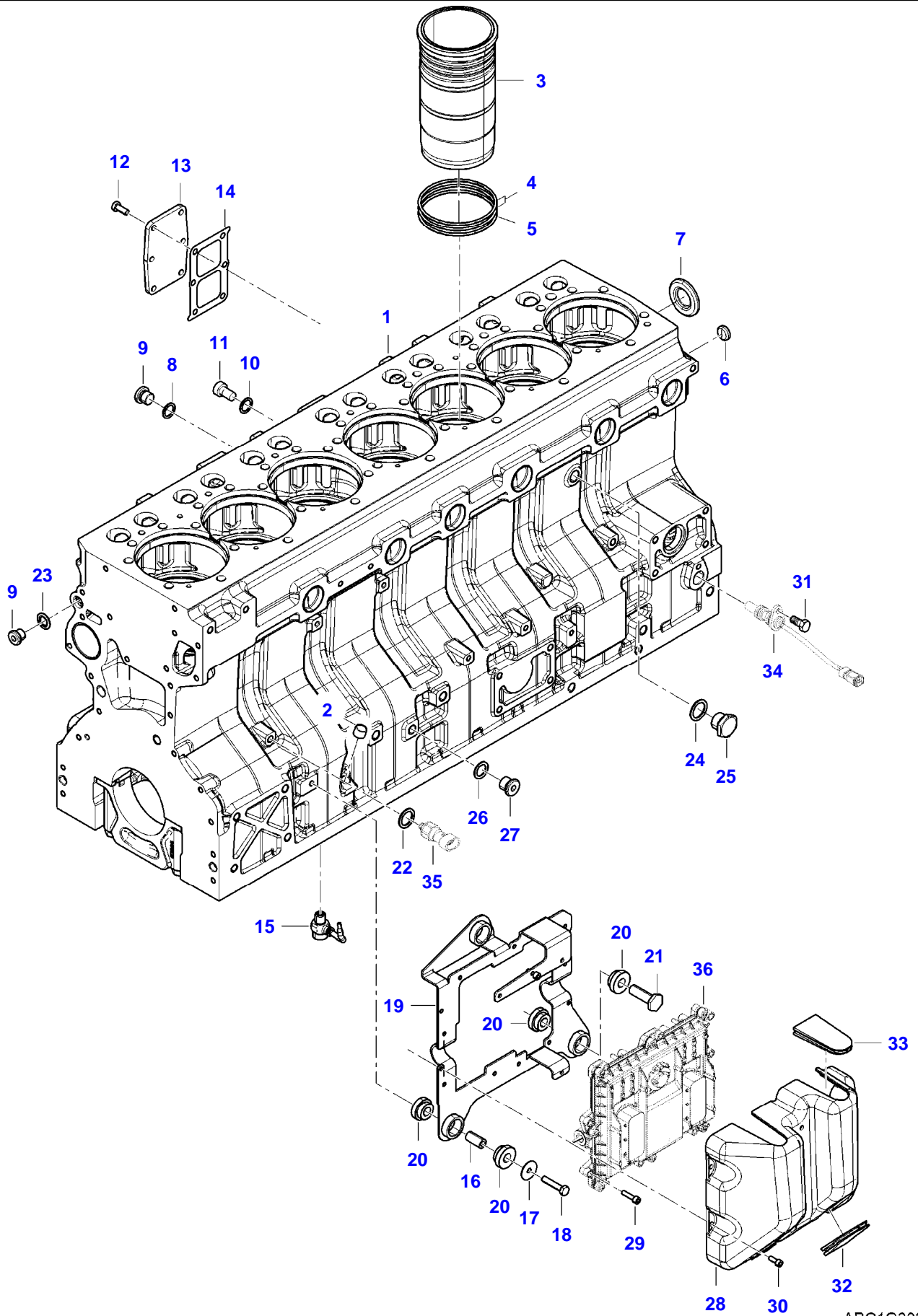
IDEAL 7 COMBINE (2018) (ZN2C0007P03010001-999)
APG1G2550



Item	Part Number	Qty	Description Comments	Technical Specification
1	V837086429	1	CYLINDER BLOCK INCLUDES ITEMS 2-8	98 AWF-HLA/LFVC
2	V836866069	1	CAMSHAFT BEARING BUSHING	
3	V835329030	16	HEX CAP SCREW	
4	V836214478	16	GUIDE SLEEVE	
5	V836852461	1	CAMSHAFT BEARING BUSHING	
6	V640016040	6	CUP PLUG	
7	V836852460	2	CAMSHAFT BEARING BUSHING	
8	V837086315	2	CAMSHAFT BEARING BUSHING	

Item	Part Number	Qty	Description Comments
1	ACW2275730	1	ENGINE WIRE HARNESS
2	ACW2342280	1	ENGINE WIRE HARNESS
3	V837070201	2	PRESSURE SENSOR
4	V836667732	2	TEMPERATURE SENSOR
5	ACW0830170	1	CRANKSHAFT SPEED SENSOR INCLUDES ITEMS 6
6	V837091429	2	O-RING
7	V837070189	1	SPEED SENSOR INCLUDES ITEMS 8
8	V614601718	1	O-RING
9	V837084708	1	WIRE
10	V837069047	1	RELAY
11	V837073594	1	WIRE
12	V837074737	1	MASS AIR FLOW SENSOR (MAF)
13	V837084326	1	BOOST PRESSURE SENSOR
14	V837073921	2	LOCKING RING
15	V837073922	2	LOCKING PLATE
16	V837084141	1	ENGINE WIRE HARNESS
17	V837074692	1	ENGINE WIRE HARNESS
18	V528801362	2	HEX CAP SCREW
19	V602060610	1	RETAINER CLAMP
20	V837070209	1	PRESSURE SENSOR
21	V837074507	1	TEMPERATURE SENSOR
22	V837070292	1	GROUND WIRE
23	V528801342	1	HEX CAP SCREW
24	V837074863	1	ENGINE CONTROL UNIT
25	V837084201	1	WIRE

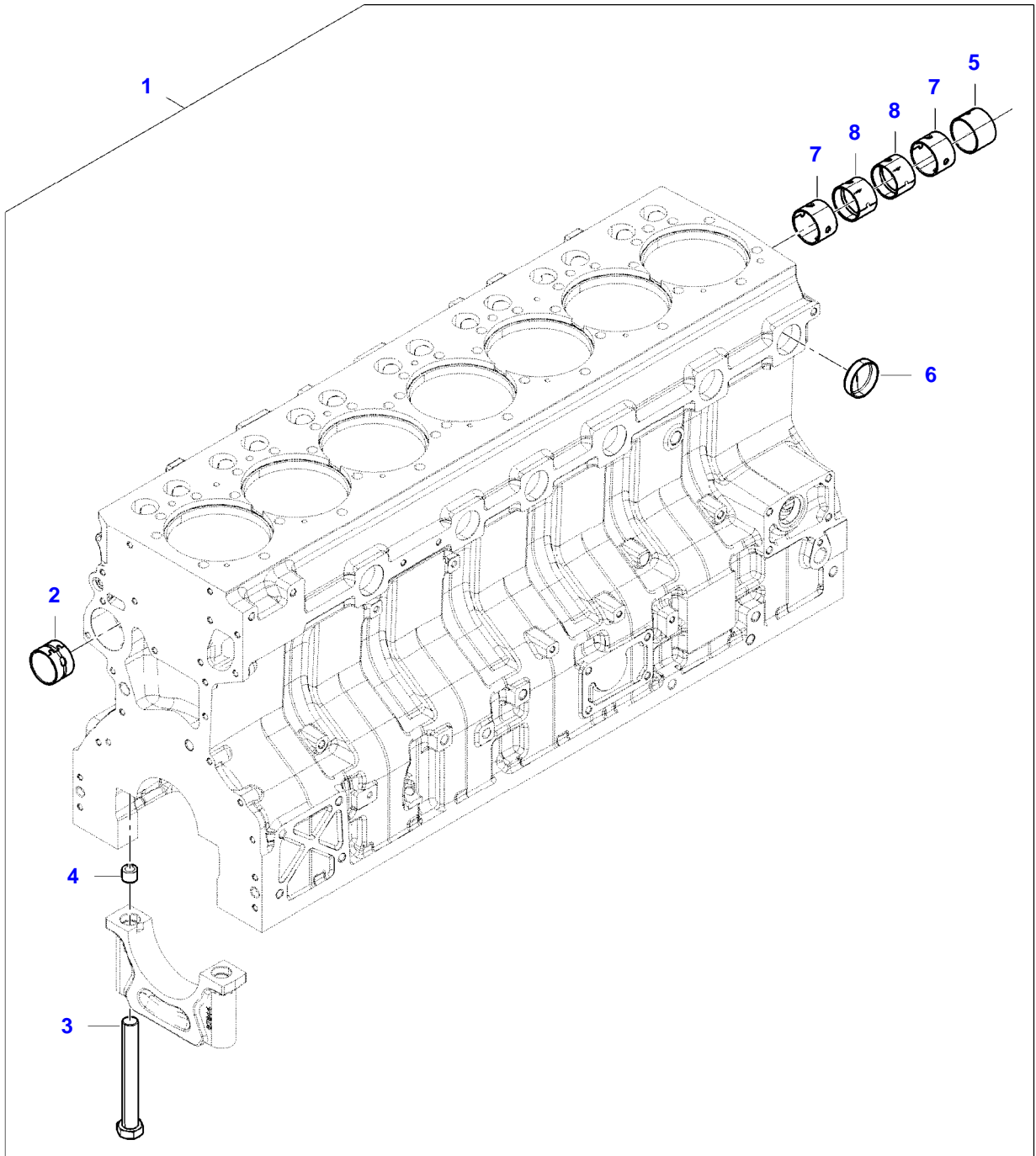
IDEAL 7 COMBINE (2018) (ZN2C0007P03010001-999)
APG1G3023



HYDRAULIC LASH ADJUSTMENT

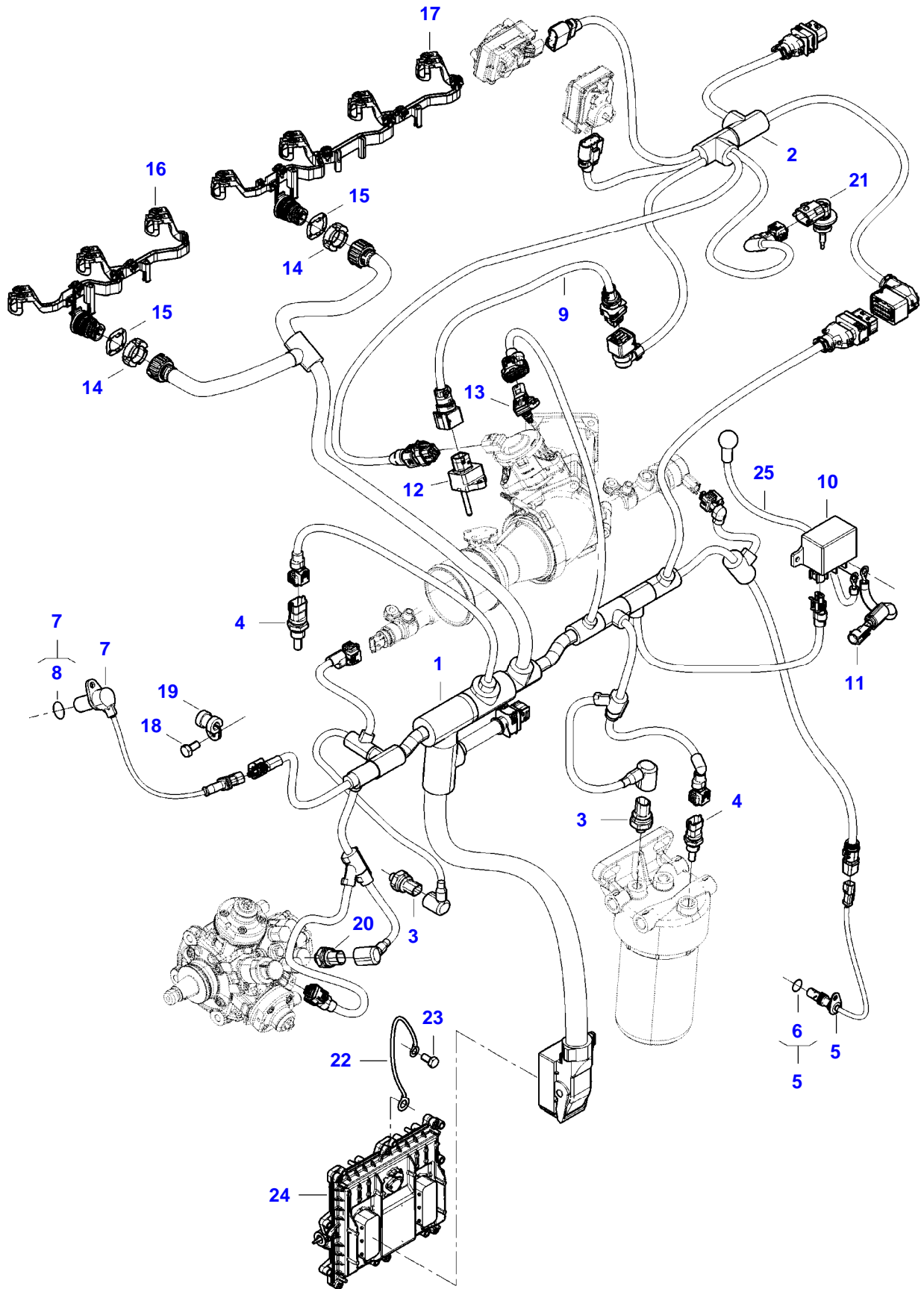
Item	Part Number	Qty	Description Comments	Technical Specification
1	V837086429	1	CYLINDER BLOCK SEE PAGE 01-0004	98 AWF-HLA/LFVC
2	V640016012	1	CUP PLUG	
3	V836867048	7	LINER	
4	V836855446	14	CYLINDER LINER O-RING [B]	
5	V836855447	7	CYLINDER LINER O-RING [B]	
6	V640016016	2	CUP PLUG [B]	
7	V836852744	1	PLUG	
8	V615871014	6	SEALING WASHER [B]	
9	V640325110	8	SCREW PLUG	
10	V836684767	1	SEALING WASHER	
11	V581804572	1	HEX SOCKET SCREW	
12	V528801382	6	HEX CAP SCREW	
13	V836846444	1	COVER	
14	ACW5174780	1	GASKET [B]	
15	V837084973	7	PISTON COOLING JET	
16	V836855626	2	SPACER	
17	V501950842	2	WASHER	
18	V529801432	2	HEX CAP SCREW	
19	V837084081	1	ECU BRACKET	
20	V837084129	6	DAMPER	
21	V837069056	1	HEX CAP SCREW	
22	V615871016	1	SEALING WASHER [B]	
23	V836684768	2	SEALING WASHER [B]	
24	V615881824	1	SEALING WASHER [B]	
25	V836019756	1	PLUG	
26	V615881420	1	SEALING WASHER [B]	
27	V640325014	1	PLUG	
28	V837084080	1	COVER	
29	V581804222	8	HEX SOCKET SCREW	
30	V581804182	6	HEX SOCKET SCREW	
31	V528801362	1	HEX CAP SCREW	
32	V837084661	1	SHIELD	
33	V837084136	2	SHIELD	
34		1	SEE PAGE 01-0035	
35		1	SEE PAGE 01-0035	
36		1	SEE PAGE 01-0035 [B] INCLUDED IN COMPLETE ENGINE GASKET KIT 2	

IDEAL 7 COMBINE (2018) (ZN2C0007P03010001-999)
APG1G2550



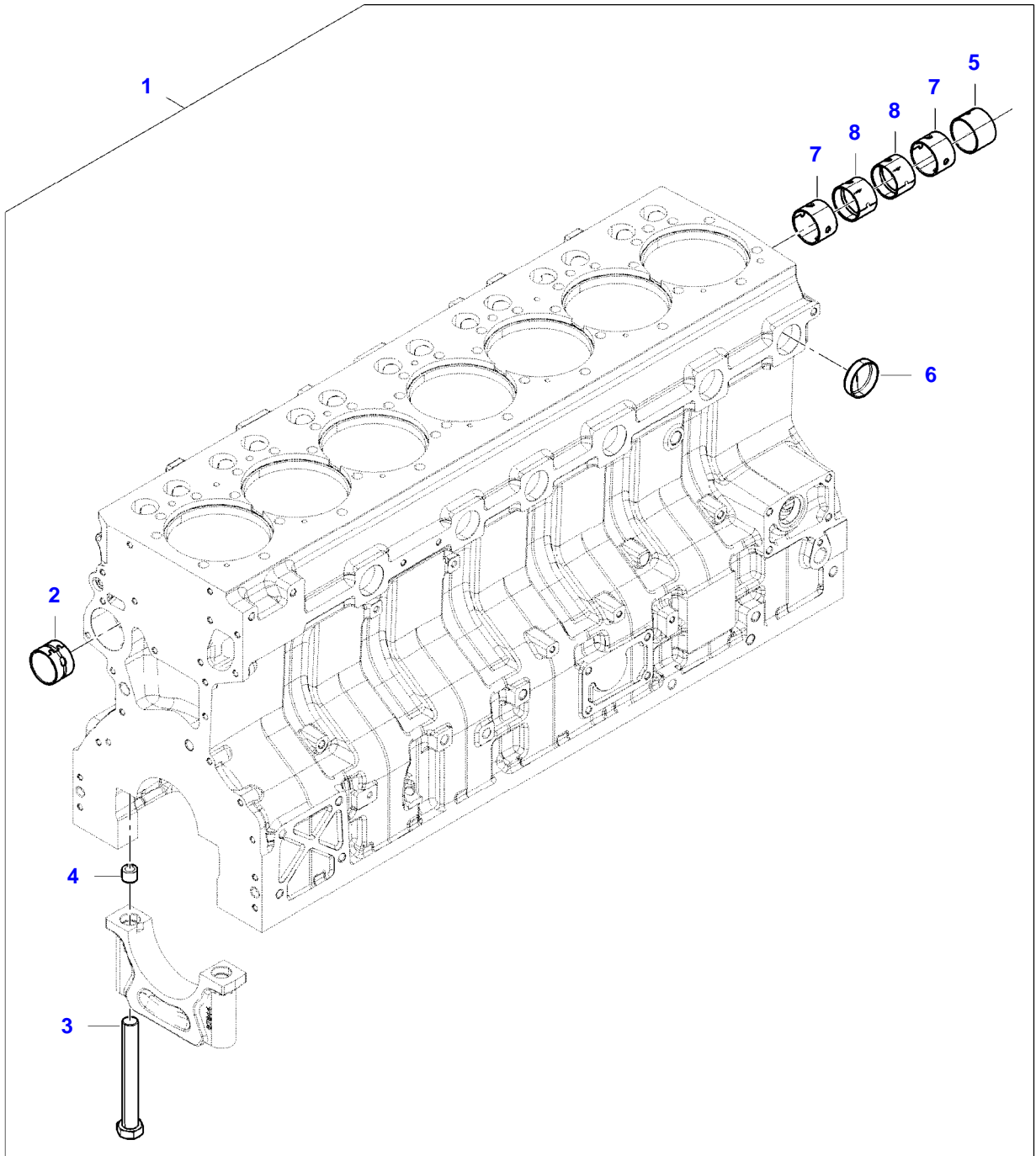
Item	Part Number	Qty	Description Comments	Technical Specification
1	V837086429	1	CYLINDER BLOCK INCLUDES ITEMS 2-8	98 AWF-HLA/LFVC
2	V836866069	1	CAMSHAFT BEARING BUSHING	
3	V835329030	16	HEX CAP SCREW	
4	V836214478	16	GUIDE SLEEVE	
5	V836852461	1	CAMSHAFT BEARING BUSHING	
6	V640016040	6	CUP PLUG	
7	V836852460	2	CAMSHAFT BEARING BUSHING	
8	V837086315	2	CAMSHAFT BEARING BUSHING	

IDEAL 7 COMBINE (2018) (ZN2C0007P03010001-999)
APG20G2543



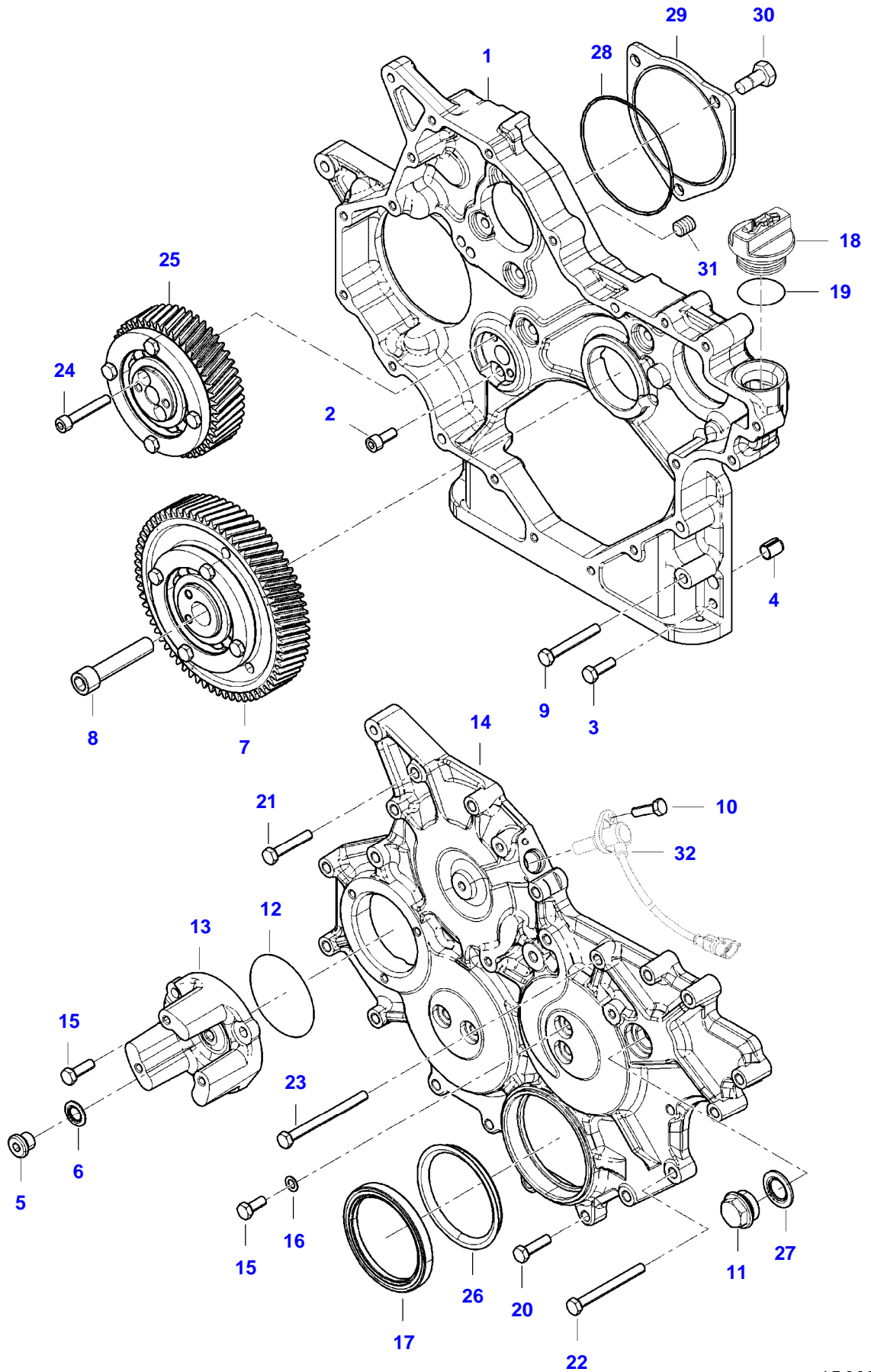
Item	Part Number	Qty	Description Comments
1	ACW2275730	1	ENGINE WIRE HARNESS
2	ACW2342280	1	ENGINE WIRE HARNESS
3	V837070201	2	PRESSURE SENSOR
4	V836667732	2	TEMPERATURE SENSOR
5	ACW0830170	1	CRANKSHAFT SPEED SENSOR INCLUDES ITEMS 6
6	V837091429	2	O-RING
7	V837070189	1	SPEED SENSOR INCLUDES ITEMS 8
8	V614601718	1	O-RING
9	V837084708	1	WIRE
10	V837069047	1	RELAY
11	V837073594	1	WIRE
12	V837074737	1	MASS AIR FLOW SENSOR (MAF)
13	V837084326	1	BOOST PRESSURE SENSOR
14	V837073921	2	LOCKING RING
15	V837073922	2	LOCKING PLATE
16	V837084141	1	ENGINE WIRE HARNESS
17	V837074692	1	ENGINE WIRE HARNESS
18	V528801362	2	HEX CAP SCREW
19	V602060610	1	RETAINER CLAMP
20	V837070209	1	PRESSURE SENSOR
21	V837074507	1	TEMPERATURE SENSOR
22	V837070292	1	GROUND WIRE
23	V528801342	1	HEX CAP SCREW
24	V837074863	1	ENGINE CONTROL UNIT
25	V837084201	1	WIRE

IDEAL 7 COMBINE (2018) (ZN2C0007P03010001-999)
APG1G2550



Item	Part Number	Qty	Description Comments	Technical Specification
1	V837086429	1	CYLINDER BLOCK INCLUDES ITEMS 2-8	98 AWF-HLA/LFVC
2	V836866069	1	CAMSHAFT BEARING BUSHING	
3	V835329030	16	HEX CAP SCREW	
4	V836214478	16	GUIDE SLEEVE	
5	V836852461	1	CAMSHAFT BEARING BUSHING	
6	V640016040	6	CUP PLUG	
7	V836852460	2	CAMSHAFT BEARING BUSHING	
8	V837086315	2	CAMSHAFT BEARING BUSHING	

IDEAL 7 COMBINE (2018) (ZN2C0007P03010001-999)
APG2G2488

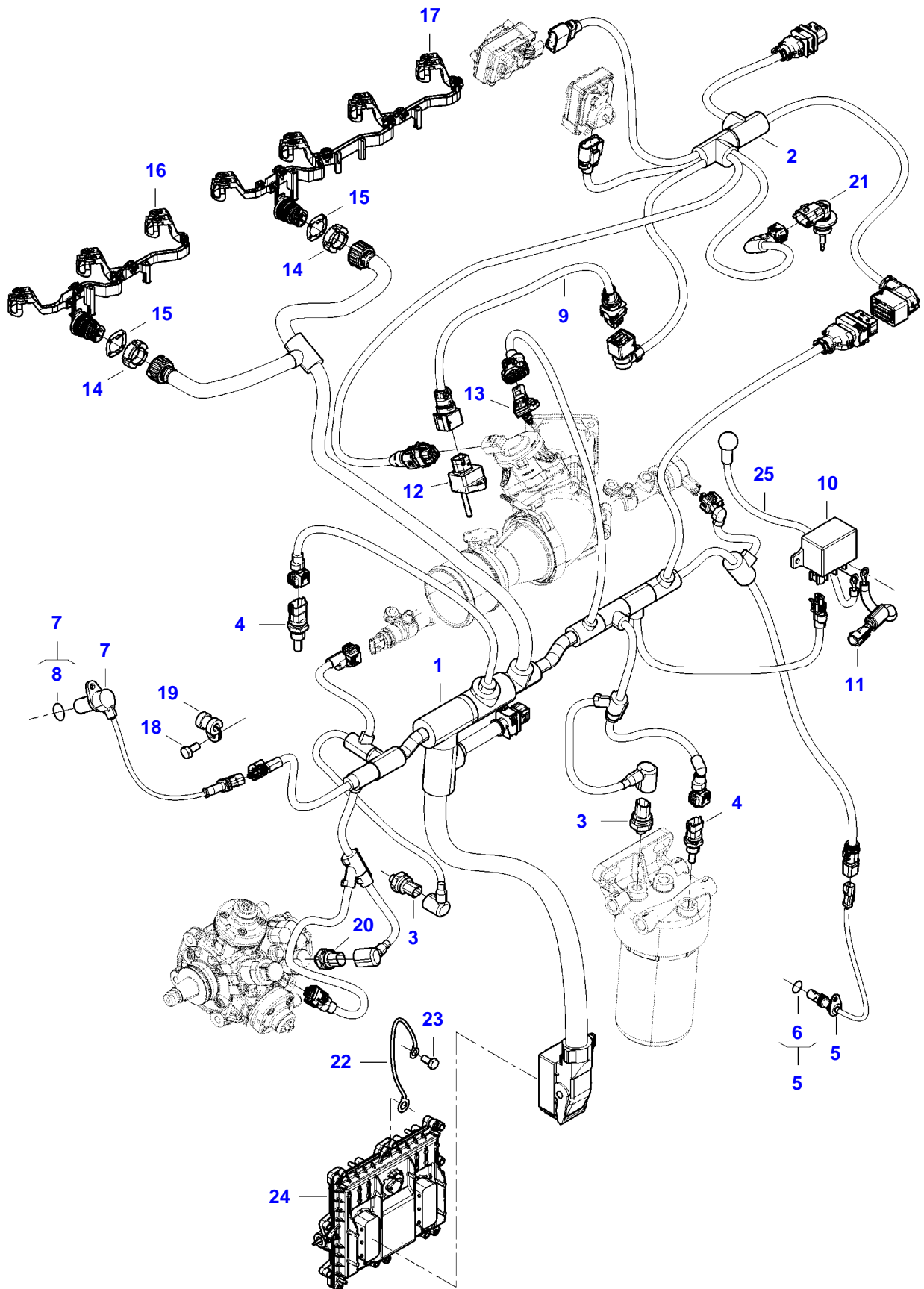


Item	Part Number	Qty	Description Comments
1	V837074713	1	TIMING GEAR CASE
2	V581704600	11	HEX SOCKET SCREW
3	V528801402	2	HEX CAP SCREW
4	V598359850	2	PIN
5	V640325110	1	SCREW PLUG
6	V615871014	1	SEALING WASHER [B]
7	V837073583	1	IDLER GEAR
8	V581705910	1	HEX SOCKET SCREW
9	V529801472	1	HEX CAP SCREW
10	V528801062	1	HEX CAP SCREW
11	V640045022	1	PLUG
12	V614606825	1	O-RING [B]
13	V837084617	1	BRACKET
14	V837074715	1	GEAR HOUSING FRONT COVER
15	V528801382	7	HEX CAP SCREW
16	V615870814	4	SEALING WASHER [B]
17	V837084867	1	CRANKSHAFT SEAL [B]
18	V837081106	1	OIL FILLER CAP
19	V614603540	1	O-RING [B]
20	V528801412	5	HEX CAP SCREW
21	V529801442	9	HEX CAP SCREW
22	V529801512	2	HEX CAP SCREW
23	V529801540	1	HEX CAP SCREW
24	V580704670	2	HEX SOCKET SCREW
25	V837073256	1	IDLER GEAR
26	V836873075	1	SHIELD
27	V615882227	1	SEALING WASHER [B]
28	V614712325	1	O-RING [B]
29	V837086283	1	COVER
30	V528802182	3	HEX CAP SCREW
31	V560201750	1	HEX SOCKET SCREW
32		1	

SEE PAGE 01-0035

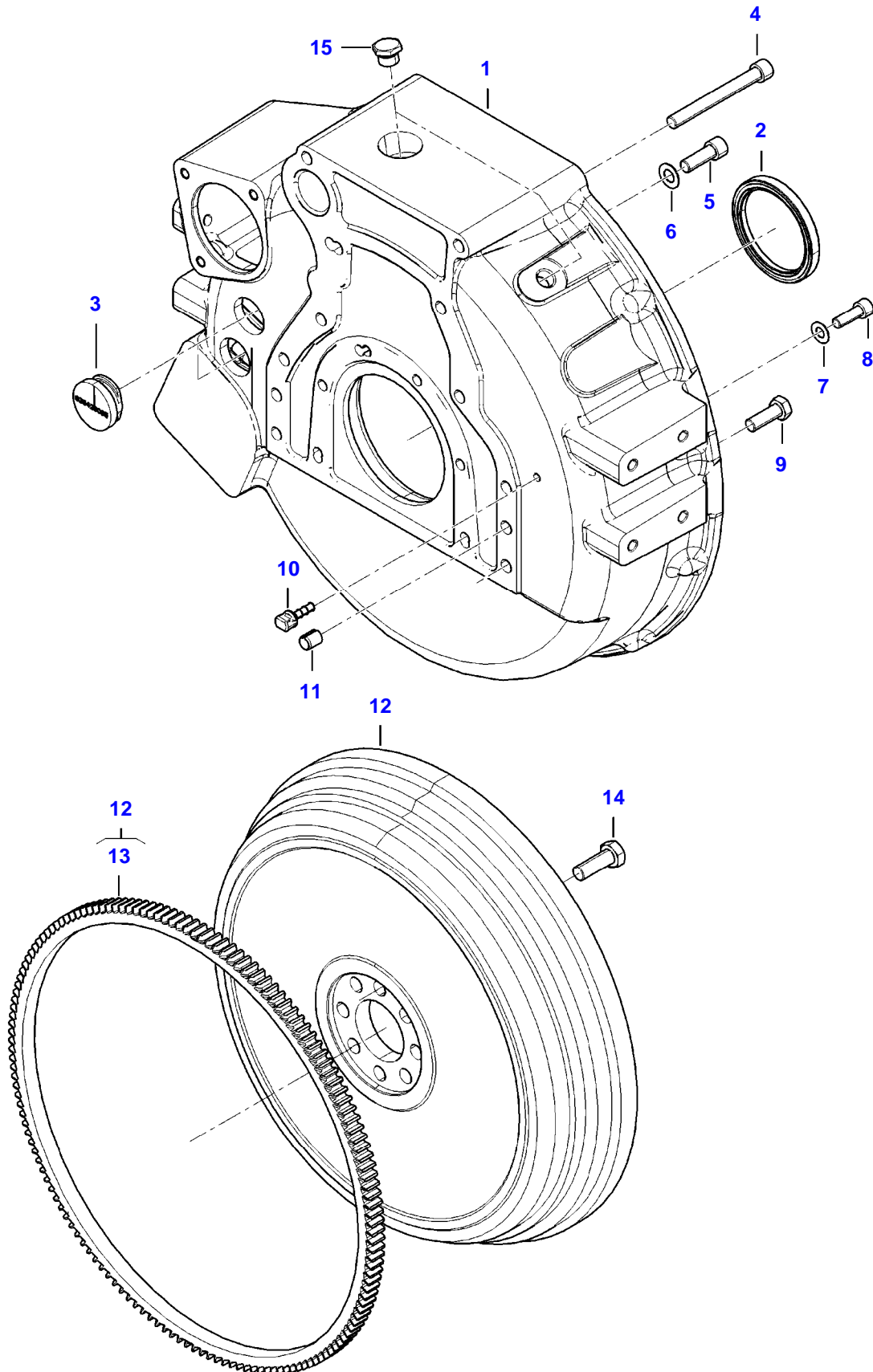
[B] INCLUDED IN COMPLETE ENGINE GASKET KIT 2

IDEAL 7 COMBINE (2018) (ZN2C0007P03010001-999)
APG20G2543



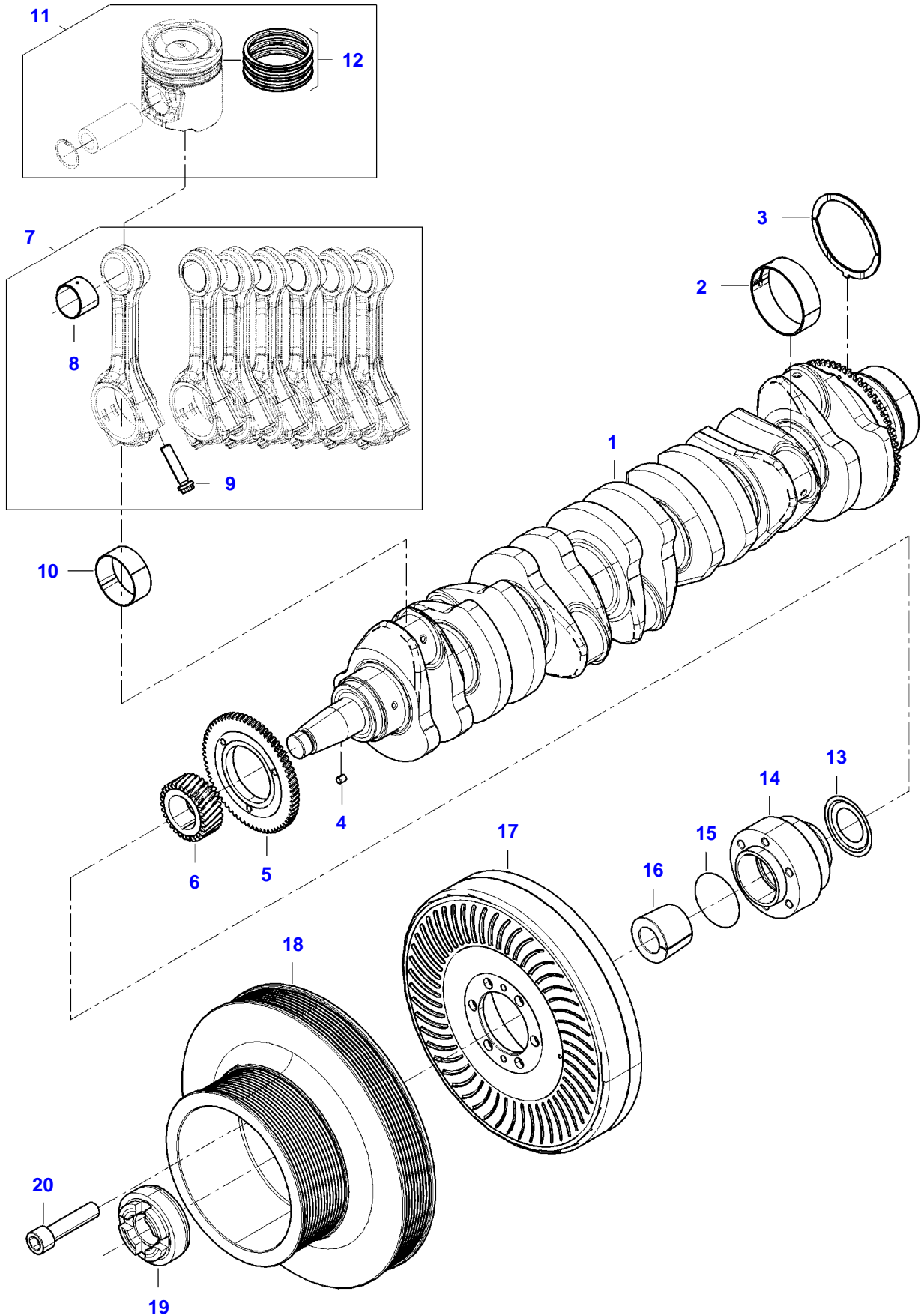
Item	Part Number	Qty	Description Comments
1	ACW2275730	1	ENGINE WIRE HARNESS
2	ACW2342280	1	ENGINE WIRE HARNESS
3	V837070201	2	PRESSURE SENSOR
4	V836667732	2	TEMPERATURE SENSOR
5	ACW0830170	1	CRANKSHAFT SPEED SENSOR INCLUDES ITEMS 6
6	V837091429	2	O-RING
7	V837070189	1	SPEED SENSOR INCLUDES ITEMS 8
8	V614601718	1	O-RING
9	V837084708	1	WIRE
10	V837069047	1	RELAY
11	V837073594	1	WIRE
12	V837074737	1	MASS AIR FLOW SENSOR (MAF)
13	V837084326	1	BOOST PRESSURE SENSOR
14	V837073921	2	LOCKING RING
15	V837073922	2	LOCKING PLATE
16	V837084141	1	ENGINE WIRE HARNESS
17	V837074692	1	ENGINE WIRE HARNESS
18	V528801362	2	HEX CAP SCREW
19	V602060610	1	RETAINER CLAMP
20	V837070209	1	PRESSURE SENSOR
21	V837074507	1	TEMPERATURE SENSOR
22	V837070292	1	GROUND WIRE
23	V528801342	1	HEX CAP SCREW
24	V837074863	1	ENGINE CONTROL UNIT
25	V837084201	1	WIRE

IDEAL 7 COMBINE (2018) (ZN2C0007P03010001-999)
APG3G2498



Item	Part Number	Qty	Description Comments
1	V836352143	1	FLYWHEEL HOUSING
2	V837091173	1	CRANKSHAFT SEAL [B]
3	V836428065	2	RUBBER PLUG
4	V581705584	2	HEX SOCKET SCREW
5	V581705440	2	HEX SOCKET SCREW
6	V500951202	2	SPRING WASHER
7	V500951002	6	SPRING WASHER
8	V581705030	6	HEX SOCKET SCREW
9	V528702220	6	HEX CAP SCREW
10	V836859311	1	PLUG
11	V598359850	2	PIN
12	V836859998	1	FLYWHEEL INCLUDES ITEM 13
13	V836117058	1	STARTER RING
14	V529702630	8	HEX CAP SCREW
15	V836019756	2	PLUG [B] INCLUDED IN COMPLETE ENGINE GASKET KIT 2

IDEAL 7 COMBINE (2018) (ZN2C0007P03010001-999)
APG4G2501



Item	Part Number	Qty	Description Comments	Technical Specification
1	V837074477	1	CRANKSHAFT	
2	V837079248	8	MAIN BEARING	
3	V837079249	2	THRUST WASHER	
4	V836867857	1	KEY	
5	V836874041	1	CRANKSHAFT GEAR	
6	V837073672	1	CRANKSHAFT GEAR	
7	V837079496	1	CONNECTING ROD KIT INCLUDES ITEMS 8-9	
8	V836864288	7	BEARING BUSH	
9	V836873510	14	CONNECTING ROD BOLT	
10	V837062996	7	CONROD BEARING	STD
11	V837086083	7	PISTON INCLUDES ITEMS 12	
12	V837079459	1	PISTON RING KIT	
13	V836867858	1	RING	
14	V837073680	1	CRANKSHAFT HUB	
15	V614606770	1	O-RING [B]	
16	V836873339	1	SLEEVE	
17	ACW2883430	1	CRANKSHAFT VIBRATION DAMPENER	
18	V837086562	1	CRANKSHAFT PULLEY	
19	V837086006	1	CRANKSHAFT NUT	
20	V581705890	6	HEX SOCKET SCREW [B] INCLUDED IN COMPLETE ENGINE GASKET KIT 2	



Suggest:

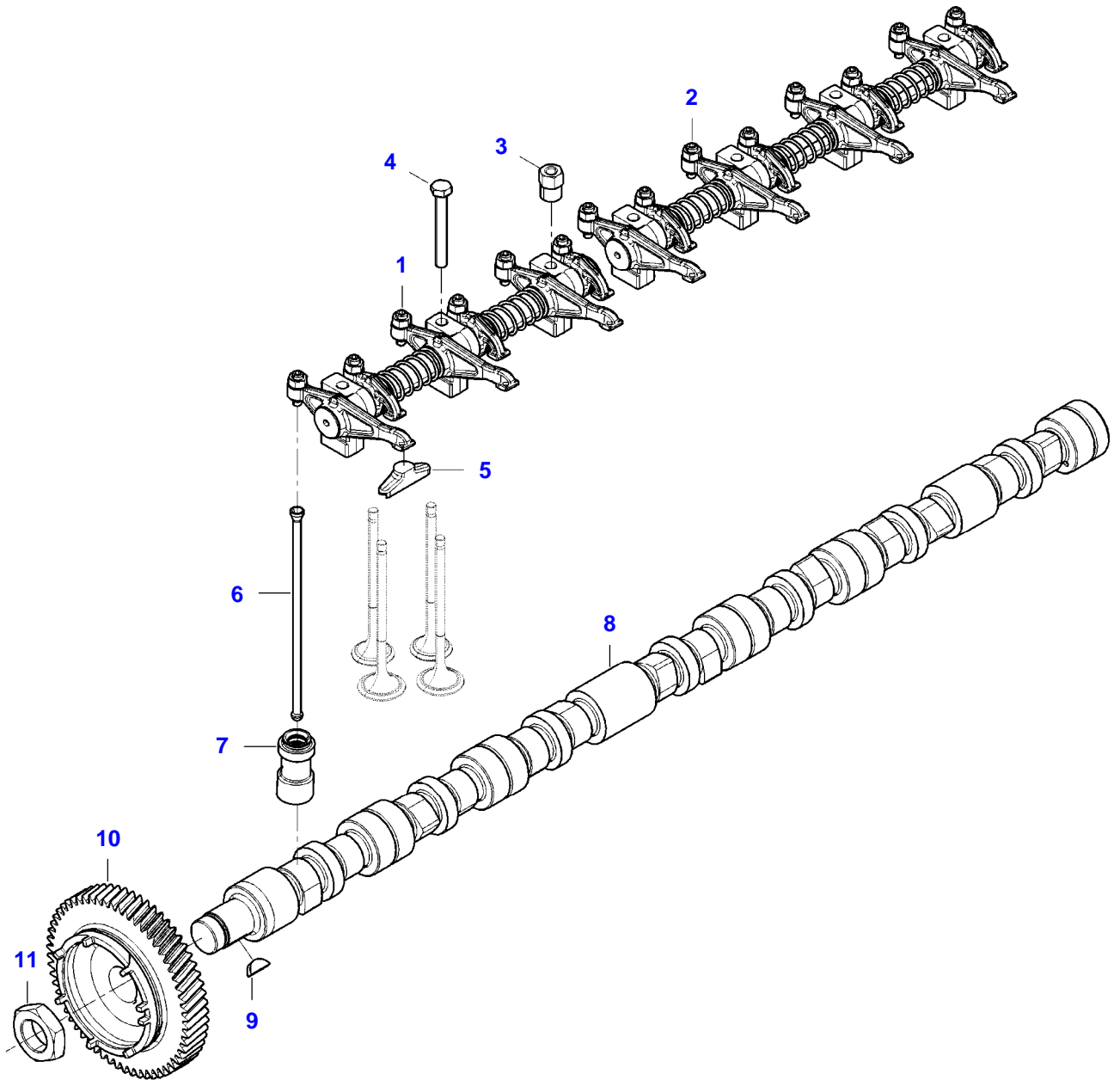
For more complete manuals. Please go to the home page.

<https://www.ebooklibonline.com>

If the above button click is invalid. Please download this document first, and then click the above link to download the complete manual.

Thank you so much for reading

IDEAL 7 COMBINE (2018) (ZN2C0007P03010001-999)
APG5G2502



Item	Part Number	Qty	Description Comments	Technical Specification
1	V837069016	1	ROCKER SHAFT ASM SEE PAGE 01-0009	3-CYL 4V
2	V837070105	1	ROCKER SHAFT ASM SEE PAGE 01-0010	4-CYL 4V
3	V836655406	5	SLEEVE NUT	
4	V529801912	2	HEX CAP SCREW	
5	V837073089	14	VALVE BRIDGE	
6	V837084417	14	PUSH ROD	
7	V837084421	14	TAPPET	HLA
8	V837073488	1	CAMSHAFT	
9	V603305760	1	WOODRUFF KEY	
10	V837073675	1	CAMSHAFT GEAR	
11	V837069085	1	NUT	

<https://www.ebooklibonline.com>

Hello dear friend!

Thank you very much for reading.

Enter the link into your browser.

The full manual is available for immediate download.

<https://www.ebooklibonline.com>