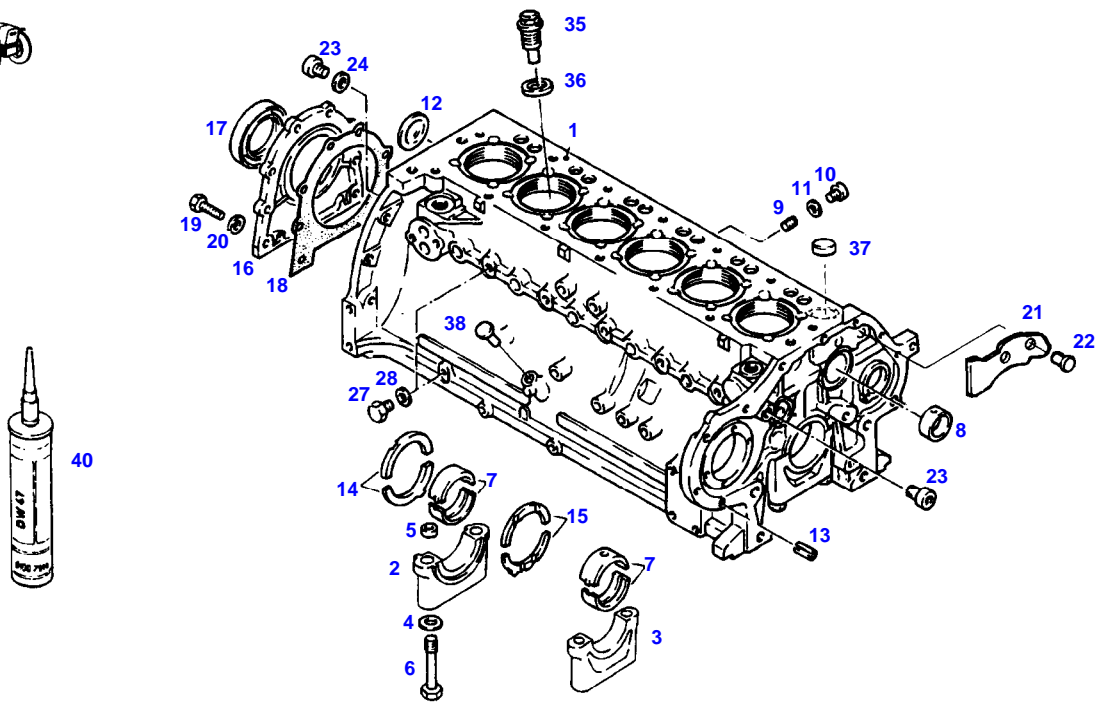


<b>Page Number</b>	<b>Page Title</b>	<b>Page Reference</b>
01-000-TOC	ENGINE, FUEL AND EXHAUST SYSTEM	01-000-TOC
02-000-TOC	AXLES	02-000-TOC
03-000-TOC	STEERING SYSTEM	03-000-TOC
04-000-TOC	DRIVE TRAIN SYSTEM	04-000-TOC
05-000-TOC	COMPRESSED AIR SYSTEM	05-000-TOC
06-000-TOC	HYDRAULIC SYSTEM	06-000-TOC
07-000-TOC	ELECTRICAL SYSTEM	07-000-TOC
08-000-TOC	CAB	08-000-TOC
09-000-TOC	AIR CONDITIONING AND HEATING SYSTEM	09-000-TOC
10-000-TOC	CHASSIS	10-000-TOC
11-000-TOC	WHEELS	11-000-TOC
12-000-TOC	IMPLEMENT LIFT SYSTEM FRONT	12-000-TOC
13-000-TOC	IMPLEMENT LIFT SYSTEM REAR	13-000-TOC
14-000-TOC	FRONT/REAR LOADERS	14-000-TOC
15-000-TOC	ACCESSORIES	15-000-TOC

GT 390GT (390/00101-99999)  
6779



6779

Item	Part Number	Qty	Description Comments	Technical Specification
	72319072	1	DIESEL ENGINE	
1	72344269	1	CRANKCASE UPPER HALF ><2-6+9-13	
	72344356	1	SEAL KIT	
2			NO SPARE PART	
3			NO SPARE PART	
4	72323682	14	DISC	
5	72344342	14	ADAPTER BUSH	
6	72344343	14	HEXAGONAL HEAD BOLT	
7	72324293	7	CRANKSHAFT BEARING 70,00 MM	
	72415975	7	CRANKSHAFT BEARING 69,75 MM	
	72415976	7	CRANKSHAFT BEARING 69,50 MM	
8	72344344	1	BUSH	
9	72323675	7	SLOTTED PLUG	
10	72427167	6	SCREW	DIN 908 M12 X 1,5-ST-A3
11	72315090	7	SEALING WASHER	DIN 7603 A12X15,5-CU
12	72323690	1	LOCKING DISC	
13	72323573	2	TENSIONER BUSHING	
14	72425118	1	THRUST RING 2,94 MM	
	72323990	1	THRUST RING FOR STEEL CRANKSHAFT 3,25 MM	
	72323991	1	THRUST RING FOR STEEL CRANKSHAFT 3,50 MM	
	72496405	1	THRUST RING FOR CAST STEEL CRANKSHAFT 3,14 MM	3,14MM
15	72323983	1	THRUST RING 3,00 MM	
	72323984	1	THRUST RING FOR STEEL CRANKSHAFT 3,25 MM	
	72323985	1	THRUST RING FOR STEEL CRANKSHAFT 3,50 MM	
	72425121	1	THRUST RING FOR CAST STEEL CRANKSHAFT 3,14 MM	
16	72324099	1	COVER	
17	72425119	1	SHAFT SEAL	
18	72324291	1	SEAL	
19	72315650	8	HEXAGONAL HEAD BOLT	DIN 933 M8 X 20-8.8A3L
20	72311788	8	DISC	DIN 125-8,4-ST.A3L
21	72344345	1	BAFFLE	
22	72372707	2	SLOTTED PIN	DIN 1476-6X10-ST
23	72323672	2	SCREW	
24	72376031	2	SEALING WASHER	DIN 7603 A20X24-CU
27	72374942	4	PLUG	DIN 7604 CM10X1-ST
28	72315088	4	SEALING WASHER	DIN 7603 A10X13,5-CU
35	72420361	6	SPRAY NOZZLE	
36	72315053	6	SPLIT WASHER	FWN 65208-8-A3L
37	72323653	1	CORE HOLE PLUG	
38	72324312	1	BOLT	
40	72311273	1	SEALING COMPOUND	TEROST-63S

**<https://www.ebooklibonline.com>**

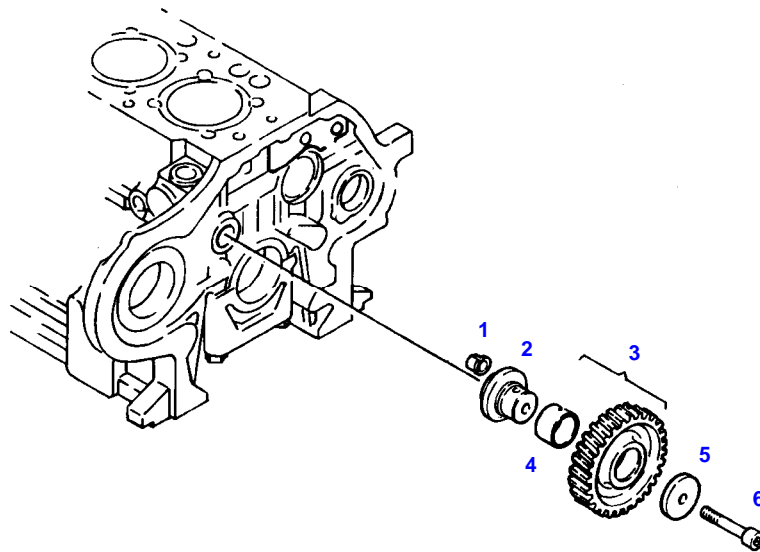
Hello dear friend!

Thank you very much for reading.

Enter the link into your browser.

The full manual is available for immediate download.

**<https://www.ebooklibonline.com>**



5444

---

Fendt

GT 390GT (390/00101-99999)

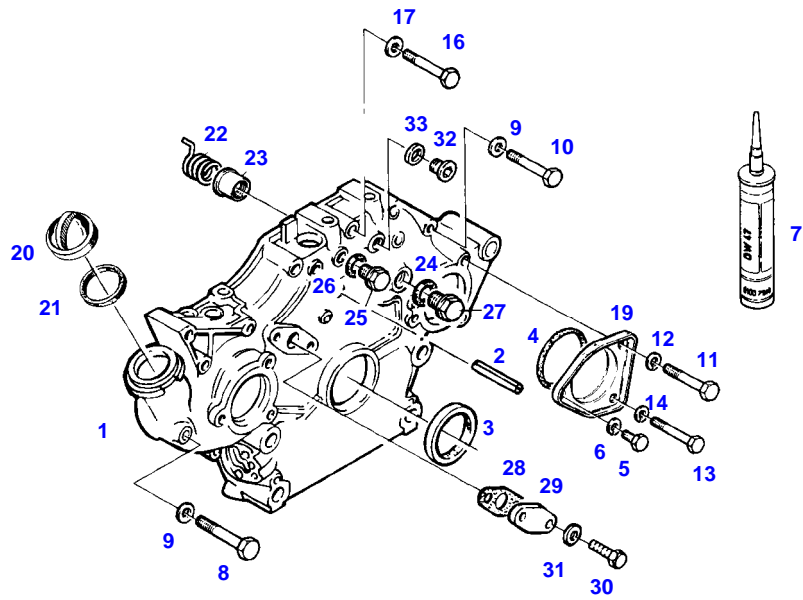
F390000

INTERM. GEAR WHEEL

Page01-0015

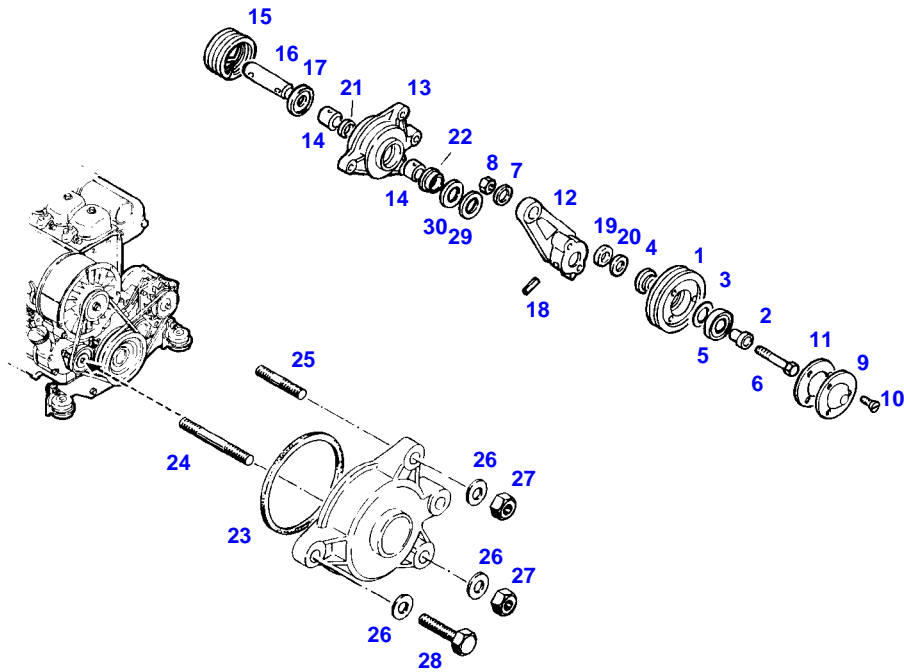
---

Item	Part Number	Qty	Description Comments
1	72344346	1	TENSIONER BUSHING
2	72344347	1	PIVOT
3	72324456	1	GEAR WHEEL ><4
4	72324455	1	BUSH
5	72324457	1	DISC
6	72324090	1	SOCKET HEAD BOLT



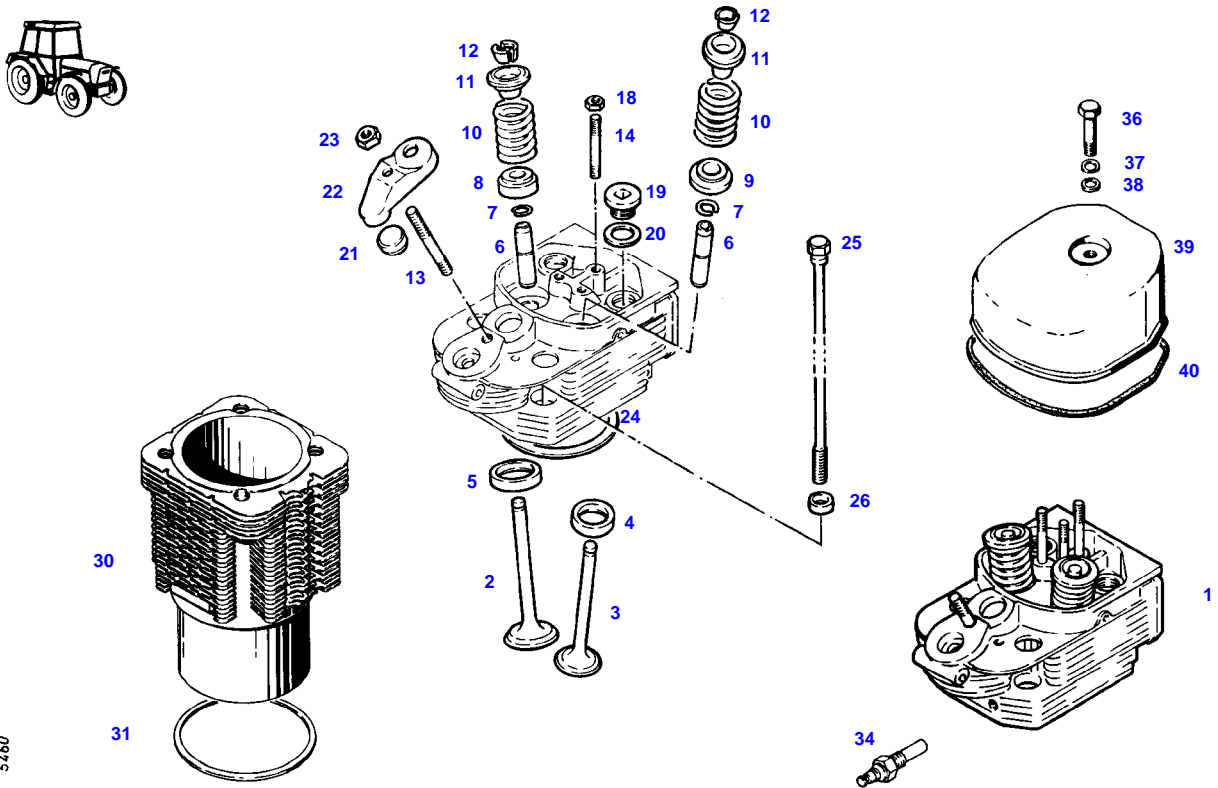
6606

Item	Part Number	Qty	Description Comments	Technical Specification
1	72344348	1	COVER	
2	72375153	1	TENSIONING PIN	ISO8752-6X45-A-ST-ZNPHR10F-KOE
3	72317651	1	SHAFT SEAL	
4	72323566	1	PERMANENT REINFORCEMENT	
5	72374417	1	HEXAGONAL HEAD BOLT	DIN 933 M8X8-8.8
6	72315053	1	SPLIT WASHER	FWN 65208-8-A3L
7	72311273	1	SEALING COMPOUND	TEROST-63S
8	72374161	1	HEXAGONAL HEAD BOLT	DIN 931 M8X60 GWA-10.9
	72374145	1	HEXAGONAL HEAD BOLT	DIN 931 M8X90 GWA-10.9
9	72311788	3	DISC	DIN 125-8,4-ST.A3L
10	72315534	2	HEXAGONAL HEAD BOLT	DIN 931 M8 X 70-8.8
11	72374183	1	HEXAGONAL HEAD BOLT	DIN 931 M10X75-8.8
12	72315054	1	SPLIT WASHER	FWN 65208-10-A3L
13	72315537	1	HEXAGONAL HEAD BOLT	DIN 931 M8X85-8.8A3L
14	72315053	1	SPLIT WASHER	FWN 65208-8-A3L
	72374145	1	HEXAGONAL HEAD BOLT	DIN 931 M8X90 GWA-10.9
16	72315534	2	HEXAGONAL HEAD BOLT	DIN 931 M8 X 70-8.8
17	72311788	2	DISC	DIN 125-8,4-ST.A3L
19	72324418	1	COVER	
20	72323709	1	COVER ><21	
21	72323708	1	SEALING WASHER	
22	72324159	1	COMPRESSION SPRING	
23	72323827	1	START-UP CAP	
24	72376036	1	SEALING WASHER	DIN7603 A24X30-ALU
25	72373970	1	PLUG	DIN 910 M10X1-ST PH
26	72315089	1	SEALING WASHER	DIN 7603 A10X16-CU
27	72323829	1	SCREW	
28	72344349	1	OVAL GASKET	
29	72344350	1	OVAL FLANGE	
30	72315642	2	HEXAGONAL HEAD BOLT	DIN 933 M8 X 16-8.8A3L
31	72311788	2	DISC	DIN 125-8,4-ST.A3L
32	72315440	1	PLUG SCREW	DIN 908 M18 X 1,5-ST
33	72376029	1	SEALING WASHER	DIN 7603 A18X24-AL



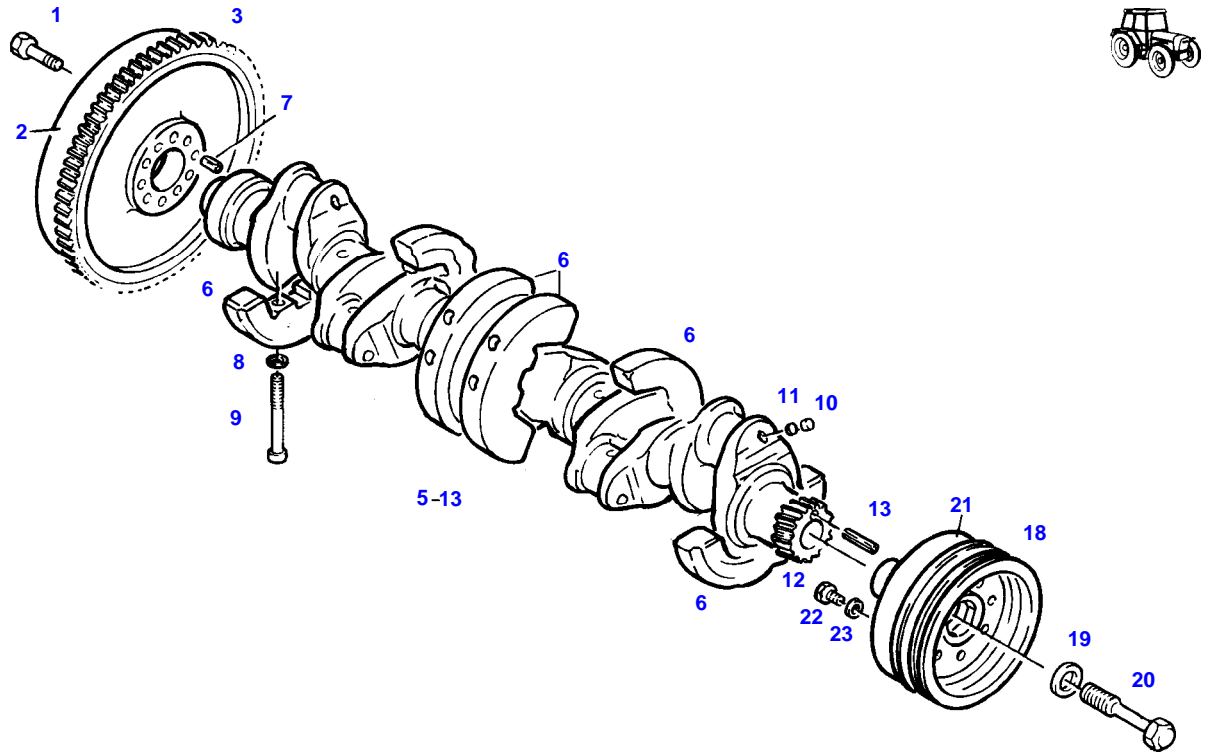
6608

Item	Part Number	Qty	Description Comments	Technical Specification
1	72344351	1	TENSIONING ROLLER ><1-22	
	72323802	1	V BELT SHEAVE	
2	72323801	1	FLANGE BUSHING	
3	72323848	1	DISC	
4	72323847	1	RING	
5	72323614	1	BALL BEARING	
6	72374158	1	HEXAGONAL HEAD BOLT	DIN 931 M8X45-8.8
7	72311788	1	DISC	DIN 125-8,4-ST.A3L
8	72313268	1	NUT	DIN 934 M8-8A3L
9	72324165	1	COVER	
10	72374838	3	COUNTERSUNK CAPSCREW	DIN 963 M6X16-4.8A3L
11	72323849	1	SEAL	
12	72344352	1	TENSIONER LEVER	
13	72324433	1	TENSIONER COVER	
14	72324169	2	BEARING BUSHING	
15	72324168	1	LEG SPRING	
16	72324174	1	SHAFT	
17	72324175	1	DISC	
18	72313829	1	TENSIONING PIN	ISO8752-8X32-A-ST
19	72323824	1	DISC 1,0 MM	
20	72324184	1	DISC 0,3 MM	
21	72324176	1	SPACER RING	
22	72324172	1	SHAFT SEAL	
23	72323566	1	PERMANENT REINFORCEMENT	
24	72373909	1	STUD BOLT	DIN 835 M8X45-5.8
25	72373902	1	STUD BOLT	DIN 835 M8X25-5.8
26	72323683	3	DISC	
27	72313268	2	NUT	DIN 934 M8-8A3L
28	72315657	1	HEXAGONAL HEAD BOLT	DIN 933 M8 X 30-8.8A3L
29	72344353	1	THRUST WASHER	
30	72344354	1	THRUST WASHER	



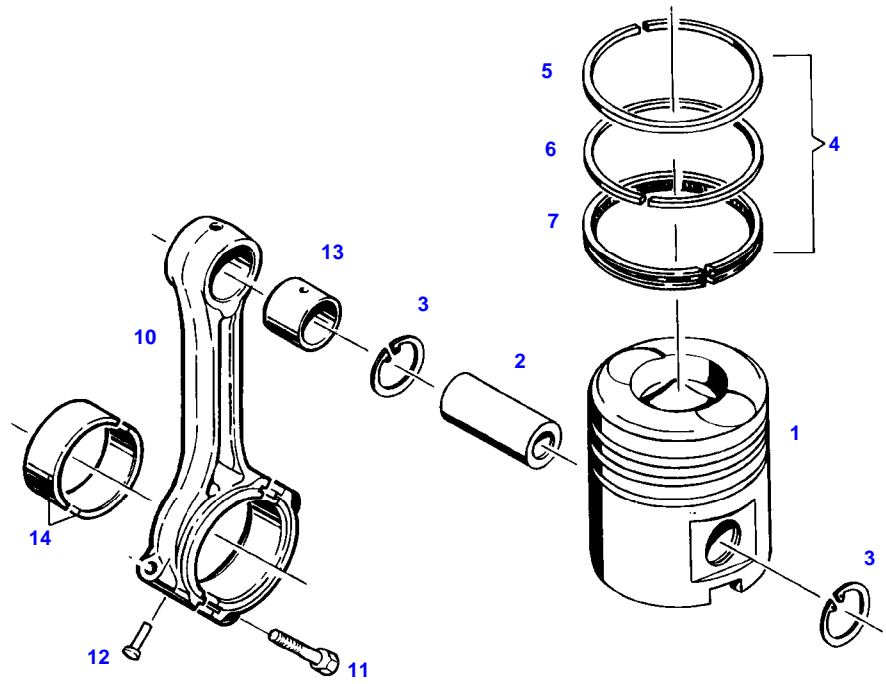
Item	Part Number	Qty	Description Comments	Technical Specification
1	72344272	6	CYLINDER HEAD ><1-14 <>24 <-- F206.200.210.030 <>	
	72427183	1	NIP DISC	
	72373929	1	STUD BOLT	DIN 835 M10X70-8.8
2	72324437	6	INTAKE VALVE <>	
	72333115	2	VALVE SPRING KEY	
	72323888	1	SPRING RETAINER	
3	72344273	6	OUTLET VALVE <-- F205.200.210.050 <>	
	72333115	2	VALVE SPRING KEY	
4	72323897	6	VALVE SEAT RING 40,16 MM	
	72323898	6	VALVE SEAT RING 40,26 MM	
	72323899	6	VALVE SEAT RING 40,36 MM	
5	72323894	6	VALVE SEAT RING 45,66 MM	
	72323895	6	VALVE SEAT RING 45,76 MM	
	72323896	6	VALVE SEAT RING 45,85 MM	
6	72324060	12	VALVE GUIDE 15,00 MM	
	72324070	12	VALVE GUIDE 15,25 MM	
	72324071	12	VALVE GUIDE 15,50 MM	
7	72323676	12	LOCKWASHER	
8	72323783	6	VALVE TURN. DEV.	
9	72323888	6	SPRING RETAINER	
10	72324338	12	COMPRESSION SPRING	
11	72324349	12	SPRING RETAINER	
12	72323582	24	TAPER PIECE HALF	
13	72373929	6	STUD BOLT	DIN 835 M10X70-8.8
14	72418370	18	STUD BOLT	DIN 835-M8 SN4X55-8.8
18	72313268	18	NUT	DIN 934 M8-8A3L
19	72373957	12	SCREW	DIN 908-M26X1,5-ST-A3L
20	72315104	12	SEALING WASHER	DIN 7603 A26X31-CU
21	72323919	6	DISC	
22	72323921	6	HOLDER	
23	72313272	6	NUT	DIN 934 M10-8A3L
24	72324496	6	COMPENSATING RING 1,10 MM	
	72344274	6	COMPENSATING RING 1,15 MM	
	72344275	6	COMPENSATING RING 1,20 MM	
	72344276	6	COMPENSATING RING 1,25 MM	
	72344277	6	COMPENSATING RING 1,30 MM	
	72344278	6	COMPENSATING RING 1,35 MM	
	72344279	6	COMPENSATING RING 1,40 MM	
	72344280	6	COMPENSATING RING 1,45 MM	
	72344281	6	COMPENSATING RING 1,50 MM	

Item	Part Number	Qty	Description Comments	Technical Specification
	72344282	6	COMPENSATING RING 1,55 MM	
25	72324409	24	SOCKET HEAD BOLT	
26	72324345	24	MACHINE WASHER	
30	72324477	6	CYLINDER 120,00 MM	
31	72323891	X	COMPENSATING RING 0,20 MM	
	72324067	X	COMPENSATING RING 0,50 MM	
	72324374	X	COMPENSATING RING 0,80 MM	
	72324201	X	COMPENSATING RING 1,00 MM	
34			SEE ELECTRICAL SYSTEM	
36	72315657	6	HEXAGONAL HEAD BOLT	DIN 933 M8 X 30-8.8A3L
	72325293	6	HEXAGONAL HEAD BOLT FOR DOMED CYLINDER HEAD COVER	M8X30
37	72311788	6	DISC	DIN 125-8,4-ST.A3L
38	72323693	6	SEALING WASHER	
	72488855	6	SEALING WASHER FOR DOMED CYLINDER HEAD COVER	
39	72324097	6	CYLINDER HEAD COVER FLAT <-- F149.200.210.240	
	72488845	6	CYLINDER HEAD COVER VAULTED >>36,38,40	
40	72485671	6	SEAL	
	72485671	6	SEAL FOR DOMED CYLINDER HEAD COVER	



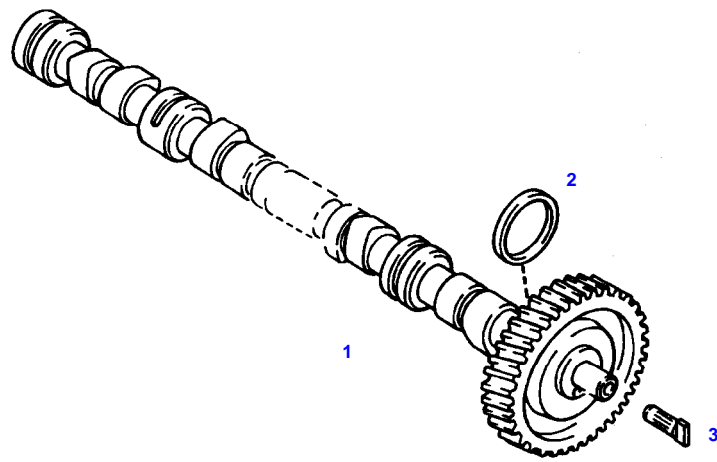
6609

Item	Part Number	Qty	Description Comments	Technical Specification
1	72374802	10	HEXAGONAL HEAD BOLT	DIN 961 M10X1X35-10.9A4C
2	72365122	1	FLYWHEEL ><2+3	
3	72323784	1	RING GEAR	
5	72344357	1	CRANKSHAFT ><5-13	
6			NOT AVAILABLE IN SINGLE PARTS	
7	72375160	1	TENSIONING PIN	ISO8752-8X18-A-ST
8	72323684	12	DISC	
9	72315513	12	SOCKET HEAD BOLT	DIN 912 M12X60-10.9
10	72323592	6	PLUG	
11	72323572	6	DISC	
12	72324150	1	GEAR WHEEL	
13	72372685	1	DOWEL PIN	
18	72344361	1	V BELT SHEAVE	
19	72323687	1	DISC	
20	72344359	1	WAISTED SHANK BOLT	
21	72423386	1	V BELT SHEAVE <-- F395.200.310.060	
22	72315642	8	HEXAGONAL HEAD BOLT	DIN 933 M8 X 16-8.8A3L
23	72311788	8	DISC	DIN 125-8,4-ST.A3L



0199  
6610

Item	Part Number	Qty	Description Comments	Technical Specification
1	72344284	6	PISTON ><1-7 102 MM	
	72344285	6	PISTON ><1-7 102,5 MM	
2			NO SPARE PART	
3	72311094	12	LOCK WASHER	DIN 472-35X1,5
4	72344286	6	PISTON RING KIT ><5-7 102 MM	
	72344287	6	PISTON RING KIT ><5-7 102,5 MM	
5			NOT AVAILABLE IN SINGLE PARTS	
6			NOT AVAILABLE IN SINGLE PARTS	
7			NOT AVAILABLE IN SINGLE PARTS	
10	72344291	6	PISTON ROD	
11	72324117	12	HEXAGONAL HEAD BOLT	
12	72324342	6	PIN	
13	72324343	6	PISTON BUSH	
14	72415974	6	CONNECTING ROD BEARING 60,00 MM	
	72415977	6	CONNECTING ROD BEARING 59,75 MM	
	72415978	6	CONNECTING ROD BEARING 59,50 MM	
	72323927	6	CONNECTING ROD BEARING FOR STEEL CRANKSHAFT 59,25 MM	



5461

---

Fendt

GT 390GT (390/00101-99999)

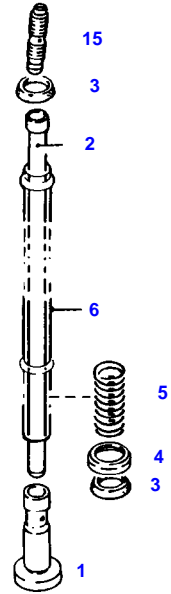
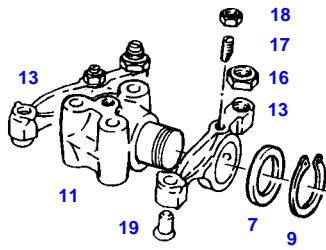
F390000

CAMSHAFT

Page01-0021

---

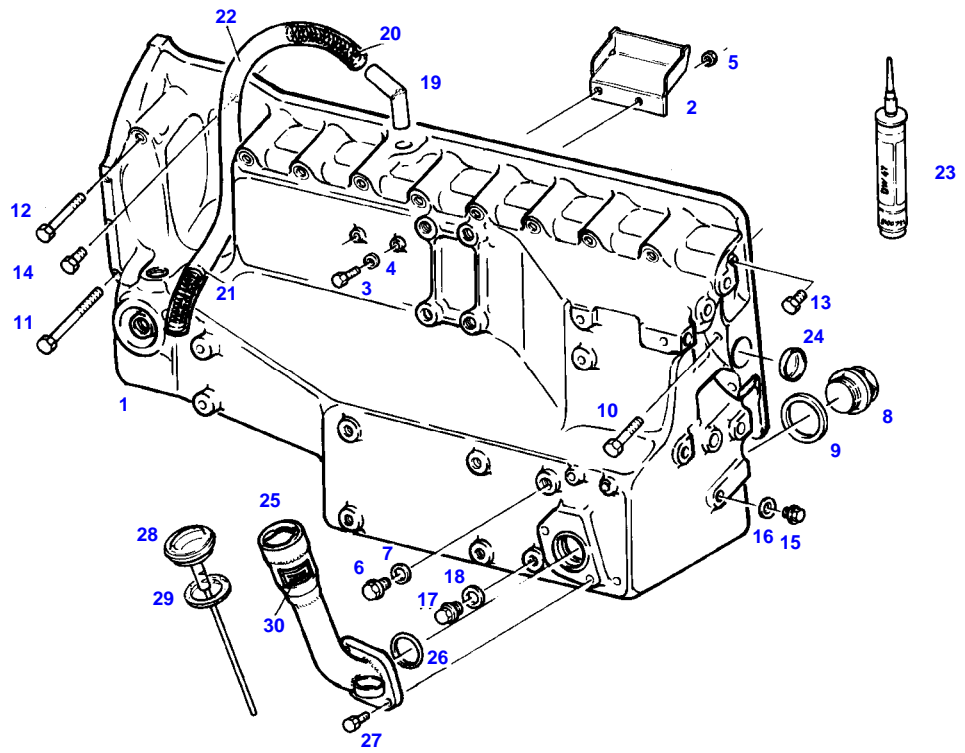
Item	Part Number	Qty	Description Comments
1	72344423	1	CAMSHAFT
2	72324337	1	DISC
3			NOT USED



6780

Item	Part Number	Qty	Description Comments	Technical Specification
1	72324362	12	VALVE TAPPET	
2	72324428	12	BUMPER	
3	72324064	24	SEALING WASHER	
4	72324363	12	CAP	
5	72324360	12	COIL SPRING	
6	72324364	12	SHIELD PIPE	
7	72344293	12	DISC	
9	72375564	12	LOCK WASHER	DIN 471-21X1,2
11	72415982	6	ROCKER ARM SUPPORT	
13	72344295	12	ROCKER ARM ><13-19 <-- F149.200.410.030	
15	72324333	12	ADJUSTING SCREW	
16	72372876	12	NUT	DIN 936 M10X1-17H
17	72324355	12	OIL NOZZLE	
18	72313266	12	NUT	DIN 934 M6-8A3L
19	72324137	12	CLEVIS PIN	

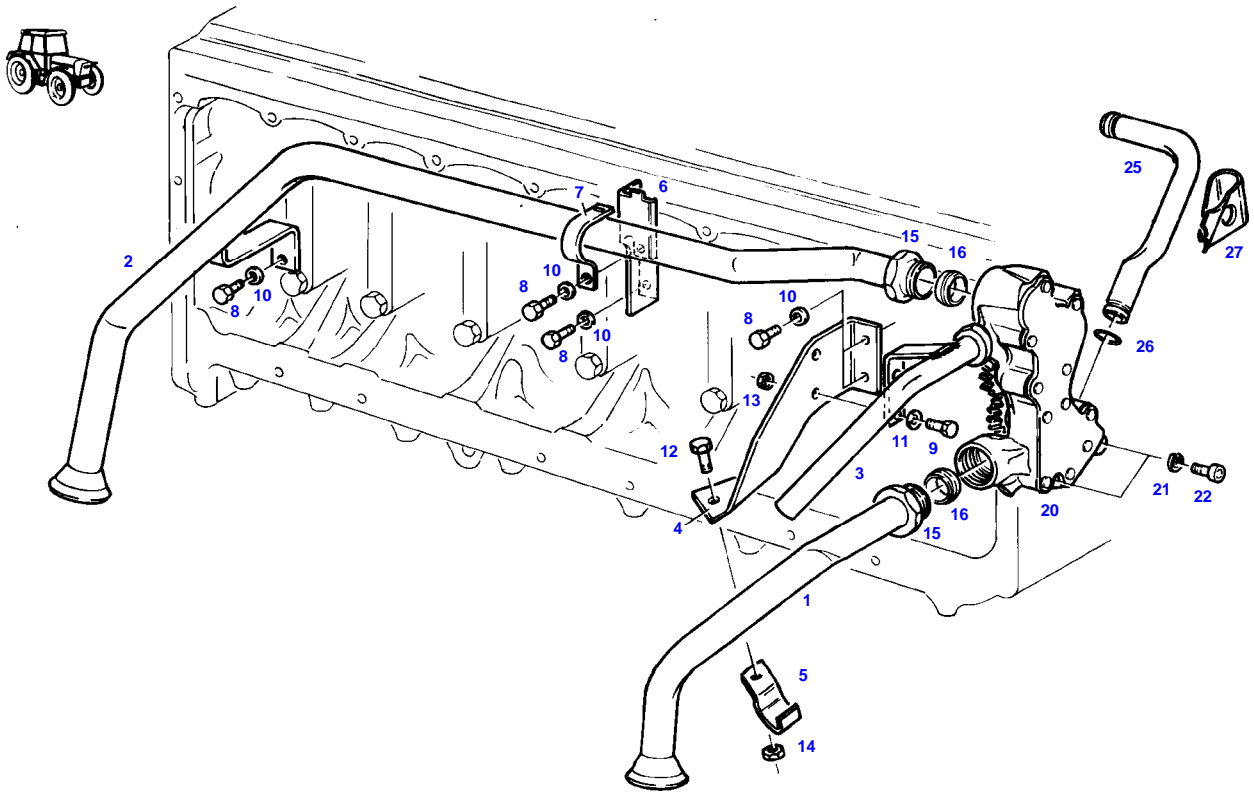
GT 390GT (390/00101-99999)  
6611



6611

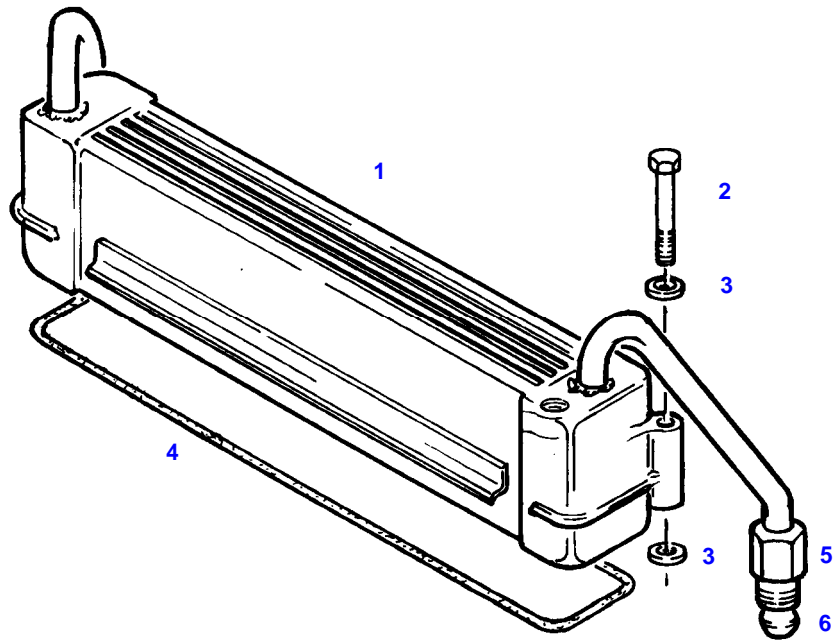
Item	Part Number	Qty	Description Comments	Technical Specification
1	72410223	1	OIL PAN <>	
	72315656	11	HEXAGONAL HEAD BOLT	DIN 933-M8X30-10.9
	72374146	9	HEXAGONAL HEAD BOLT	DIN 931-M8X95-10.9-A3L
2	72407981	1	BAFFLE PLATE	
3	72315657	2	HEXAGONAL HEAD BOLT	DIN 933 M8 X 30-8.8A3L
4	72315086	2	SEALING WASHER	DIN 7603 A8X11,5-CU
5	72313268	2	NUT	DIN 934 M8-8A3L
6	72315800	1	SCREW	DIN7604 AM16X1,5-ST-A3L
7	72315097	1	SEALING WASHER	DIN 7603 A16X20-CU
8	72315453	1	SCREW	DIN 910 M48X1,5-ST
9	72315109	1	SEALING WASHER	DIN 7603 A48X55-CU
10	72315534	2	HEXAGONAL HEAD BOLT	DIN 931 M8 X 70-8.8
11	72374149	3	HEXAGONAL HEAD BOLT	DIN 931 M8X110-8.8
12	72315525	9	HEXAGONAL HEAD BOLT	DIN 931 M8 X 90-8.8A3L
13	72315654	12	HEXAGONAL HEAD BOLT	DIN 933 M8X28-8.8A3L
14	72315657	1	HEXAGONAL HEAD BOLT	DIN 933 M8 X 30-8.8A3L
15	72315438	1	PLUG SCREW	DIN 908 M14X1,5-ST
16	72315094	1	SEALING WASHER	DIN 7603 A14X18-CU
17	72315442	2	PLUG	DIN 908 M22X1,5-ST
18	72315101	2	SEALING WASHER	DIN 7603 A22X27-CU
19	72363802	1	PIPE BEND	
20	72316510	1	COMPRESSION SPRING	
21	72407980	1	COMPRESSION SPRING	
22	72436284	1	HOSE 1X 700MM CUT TO LENGTH	L=1120 FWN65912-19X3-PVC-W-G
	72316913	2	CABLE STRAP B360X7,5	FWN 66650 B360X7,5-SW
23	72311273	1	SEALING COMPOUND	TEROST-63S
24	72377223	1	COVER	DIN 443-42
25	72363801	1	OIL FILLER NECK	
26	72376547	1	O-RING	44,2X3-FPM 70 FWN56402
27	72315679	2	HEXAGONAL HEAD BOLT	DIN 933 M10X20-8.8A3L
28	72350488	1	DIPSTICK ><29	
29	72344331	1	RUBBER SEAL	
30	72312910	1	DECAL	

GT 390GT (390/00101-99999)  
6615



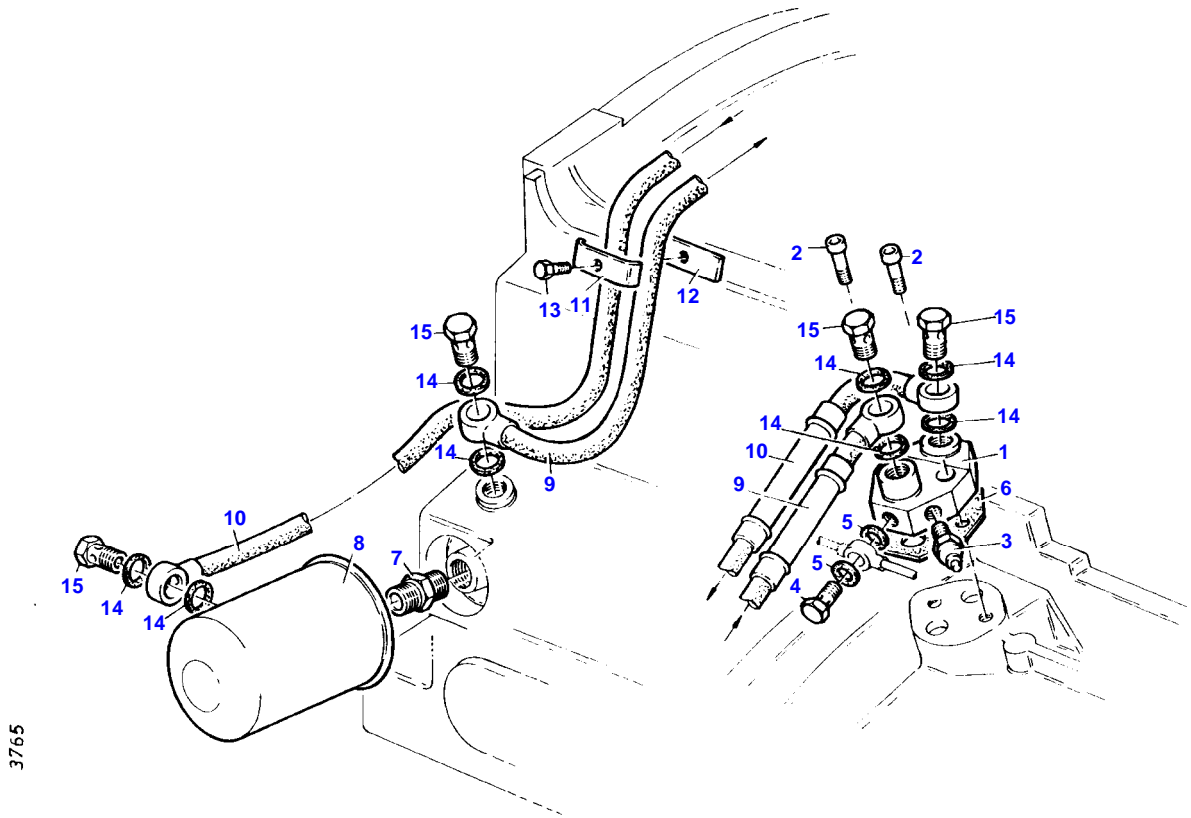
6615

Item	Part Number	Qty	Description Comments	Technical Specification
1	72344367	1	SUCTION PIPE	
2	72344368	1	SUCTION LINE	
3	72344369	1	RETURN PIPE	
4	72344370	1	RETAINER	
5	72344371	1	PIPE CLAMP	
6	72344372	1	CONSOLE	
7	72344373	1	PIPE CLAMP	
8	72315642	3	HEXAGONAL HEAD BOLT	DIN 933 M8 X 16-8.8A3L
9	72315650	1	HEXAGONAL HEAD BOLT	DIN 933 M8 X 20-8.8A3L
10	72311788	4	DISC	DIN 125-8,4-ST.A3L
11	72323678	1	DISC	
12	72315679	1	HEXAGONAL HEAD BOLT	DIN 933 M10X20-8.8A3L
13	72313268	1	NUT	DIN 934 M8-8A3L
14	72313272	1	NUT	DIN 934 M10-8A3L
15	72344374	2	UNION SCREW	
16	72344375	2	DOUBLE CONICAL RING	
20	72344365	1	LUBRICATING OIL PUMP	
21	72315063	2	SPLIT WASHER	FWN65237-8-A3L
22	72374027	2	SOCKET HEAD BOLT	DIN 912 M8X60-10.9
25	72324228	1	BOOST PIPE	
26	72323644	2	O-RING	
27	72324088	1	CLIP PIN	

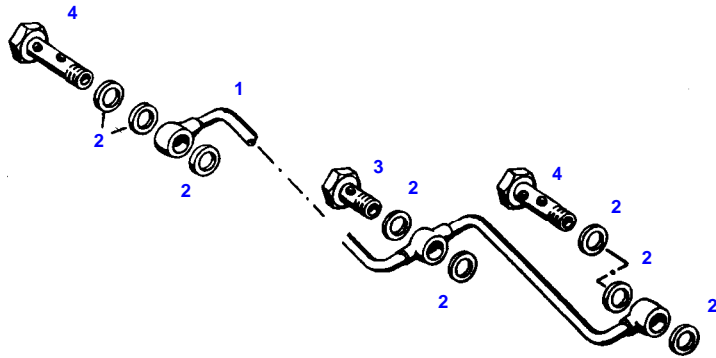


6781

<b>Item</b>	<b>Part Number</b>	<b>Qty</b>	<b>Description Comments</b>	<b>Technical Specification</b>
1	72344296	1	LUBRICATION OIL COOLER	
2	72315539	2	HEXAGONAL HEAD BOLT	DIN 931 M8X80-8.8 A3L
3	72323686	4	DISC	
4	72344297	1	SEALING WASHER	
5	72344380	2	CONNECTING NUT	
6	72323699	2	DOUBLE CONICAL RING	



Item	Part Number	Qty	Description Comments	Technical Specification
1	72403275	1	ADAPTER	
2	72315501	2	SOCKET HEAD BOLT	DIN 912 M10X50-8.8
3	72380896	1	OIL PRESSURE SENSOR	
4	72315807	1	BANJO BOLT	DIN 7643-8-3-A3L
5	72315087	2	SEALING WASHER	DIN 7603 A8X14-CU
6	72324224	1	SEAL	
7	72324068	1	DOUBLE NIPPLE	
8	72311026	1	OIL FILTER	
9	72324404	1	OIL LINE	
10	72324403	1	OIL LINE	
11	72324405	1	CLIP	
12	72324406	1	PLATE	
13	72315635	1	HEXAGONAL HEAD BOLT	DIN 933 M6X35-8.8A3L
14	72315104	8	SEALING WASHER	DIN 7603 A26X31-CU
15	72315811	4	BANJO BOLT	DIN 7643-22-3-A3L



5474

---

Fendt

GT 390GT (390/00101-99999)

F390000

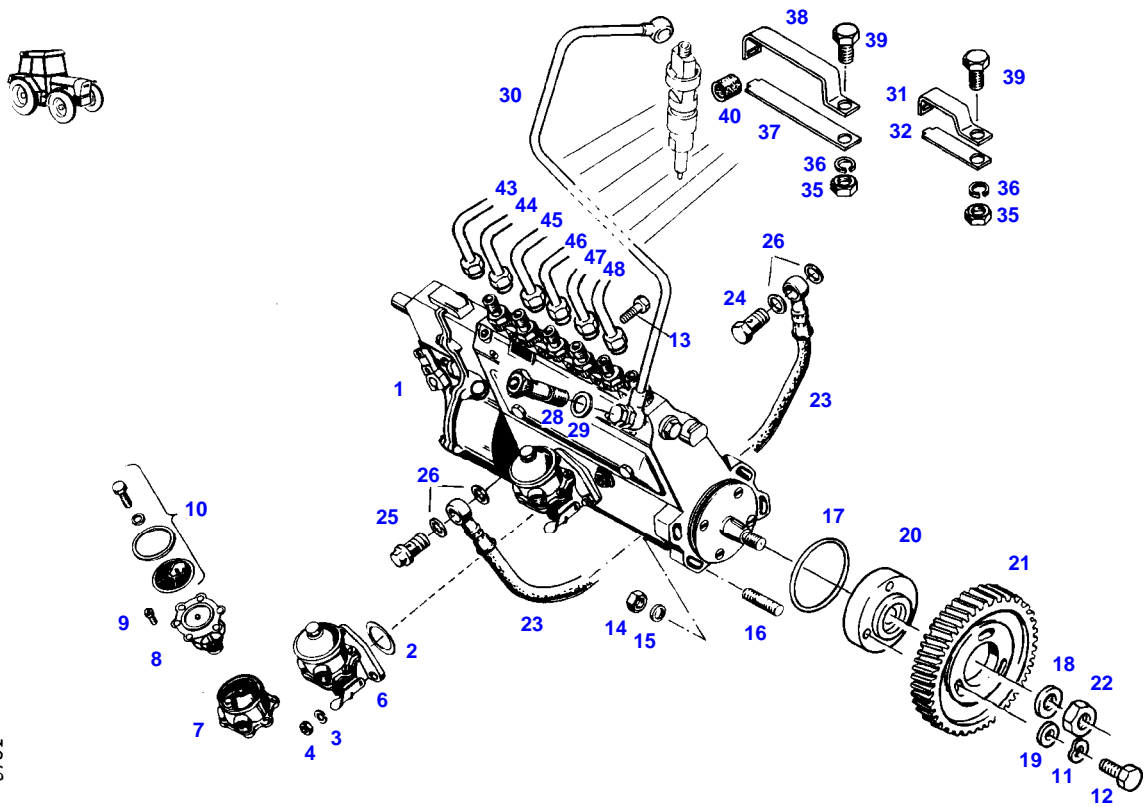
LEAK OIL LINE

Page01-0027

---

Item	Part Number	Qty	Description Comments	Technical Specification
1	72344392	1	LEAKAGE OIL LINE	
2	72315086	14	SEALING WASHER	DIN 7603 A8X11,5-CU
3	72344394	4	BANJO BOLT	
4	72344393	2	BANJO BOLT	

GT 390GT (390/00101-99999)  
6782



6782

Item	Part Number	Qty	Description Comments	Technical Specification
1	72344304	1	INJECTION PUMP ><2-10	
2	72323645	1	SEAL IMSA	
	72328694	1	MOLDED SEAL PIERBURG	
			NOT AVAILABLE IN SINGLE PARTS BD - TORINO	
3	72315052	3	SPLIT WASHER	FWN 65208-6-A3L
4	72313266	3	NUT	DIN 934 M6-8A3L
6	72328691	1	FUEL PUMP PIERBURG ><7-12 <-- F150.204.710.013 1X	
	72451618	1	FUEL PUMP BD - TORINO ><2	
7			NO SPARE PART	
8			NO SPARE PART	
9	72373594	6	SOCKET HEAD BOLT	DIN 84 M4X12-4.8-A3L
10	72324495	1	REPAIR KIT IMSA	
			NO LONGER AVAILABLE REPAIR KIT PIERBURG	
	72437162	1	REPAIR KIT BD - TORINO ><2	
11	72317121	3	SPRING WASHER	DIN 137 B8-MECH.VZK
12	72374801	3	HEXAGONAL HEAD BOLT	DIN 961 M8X1X25-8.8A3L
13	72315629	1	HEXAGONAL HEAD BOLT	DIN 933 M6 X 12-8.8A3L
14	72372811	4	NUT	DIN 934 M10-10A3L
15	72311789	4	DISC	DIN 125-10,5-ST.A3L
16	72374646	4	STUD BOLT	DIN 939 M10X30-8.8
17	72323564	1	SEAL	
18	72324108	1	DISC	
19	72323792	3	DISC	
20	72324107	1	HUB	
21	72323957	1	GEAR WHEEL	
22	72372822	1	NUT	DIN 934 M14X1,5-10
23	72323638	1	HOSE LINE	
24	72323516	1	BANJO BOLT	
25	72324022	1	BANJO BOLT	
26	72315095	4	SEALING WASHER	DIN 7603 A14X20-CU
28	72324065	1	VALVE	
29	72315095	3	SEALING WASHER	DIN 7603 A14X20-CU
30	72344383	1	SPILL LINE	
31	72323537	1	PIPE CLAMP	
32	72323593	1	END PLATE	
35	72313266	2	NUT	DIN 934 M6-8A3L
36	72315052	2	SPLIT WASHER	FWN 65208-6-A3L
37	72344385	1	END PLATE	
38	72344384	1	PIPE CLAMP	
39	72315629	2	HEXAGONAL HEAD BOLT	DIN 933 M6 X 12-8.8A3L
40	72324367	2	THIMBLE	
43	72344425	1	INJECTION LINE CYLINDER 1	
44	72344426	1	INJECTION LINE CYLINDER 2	
45	72344300	1	INJECTION LINE CYLINDER 3	

---

Fendt

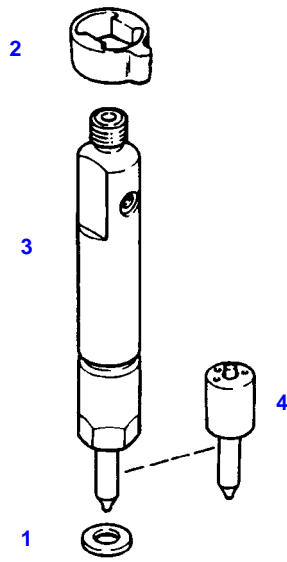
GT 390GT (390/00101-99999)

F390000

INJECTION PUMP

Page01-0028

Item	Part Number	Qty	Description Comments	Technical Specification
46	72344301	1	INJECTION LINE CYLINDER 4	
47	72344302	1	INJECTION LINE CYLINDER 5	
48	72344303	1	INJECTION LINE CYLINDER 6	



6783



**Suggest:**

**For more complete manuals. Please go to the home page.**

**<https://www.ebooklibonline.com>**

**If the above button click is invalid. Please download this document first, and then click the above link to download the complete manual.**

**Thank you so much for reading**

---

Fendt

GT 390GT (390/00101-99999)

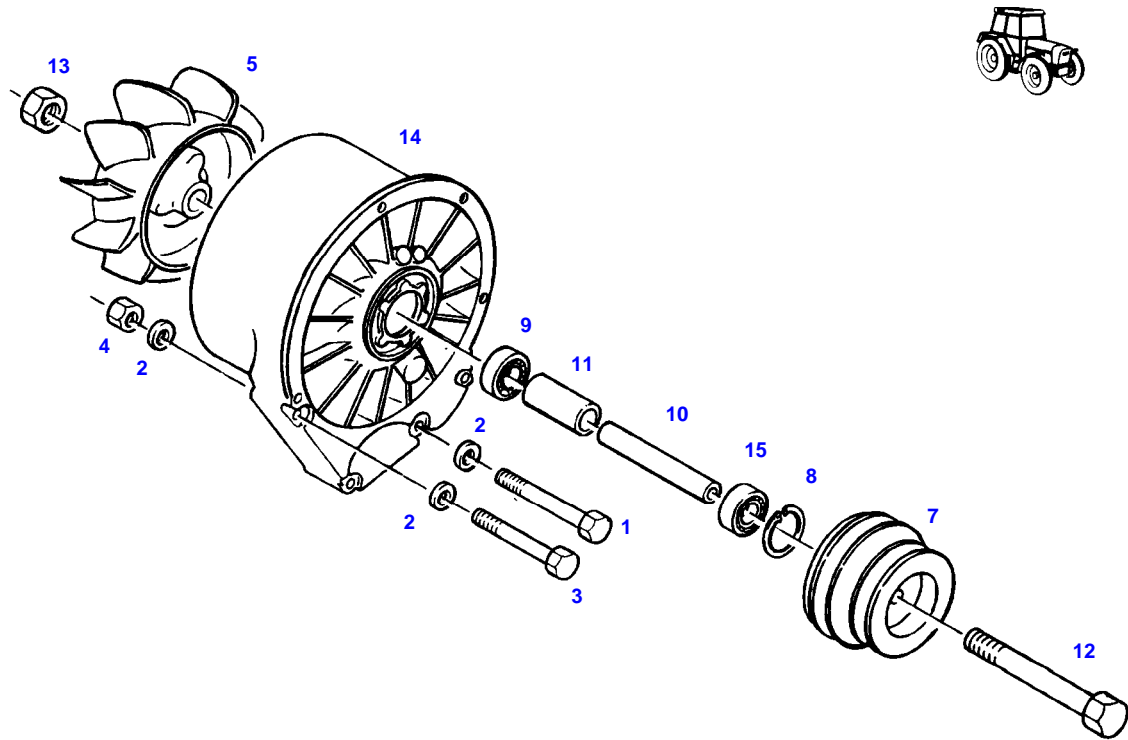
F390000

INJECTOR VALVE

Page01-0029

---

Item	Part Number	Qty	Description Comments
1	72344305	6	SEALING WASHER
2	72344395	6	BUSH
3	72344306	6	NOZZLE HOLDER ><3+4
4	72344307	6	INJECTION NOZZLE



6784

**<https://www.ebooklibonline.com>**

Hello dear friend!

Thank you very much for reading.

Enter the link into your browser.

The full manual is available for immediate download.

**<https://www.ebooklibonline.com>**