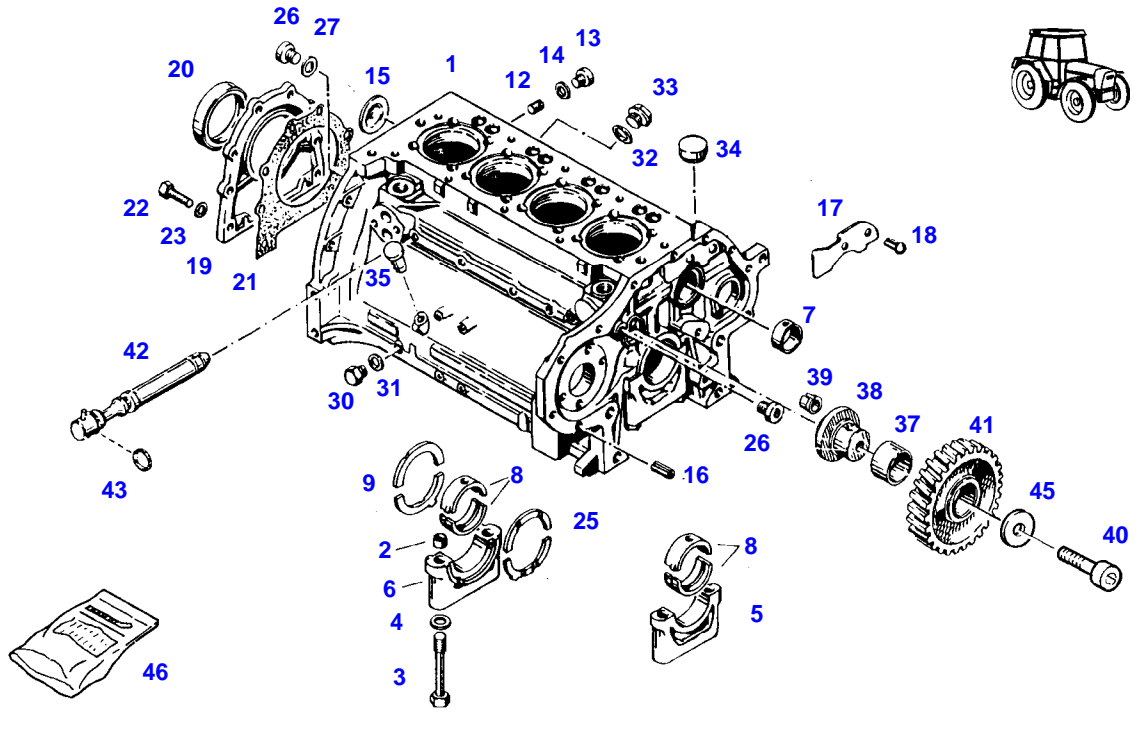


| Page Number | Page Title | Page Reference |
|--------------------|---------------------------------|-----------------------|
| 01-000-TOC | ENGINE, FUEL AND EXHAUST SYSTEM | 01-000-TOC |
| 02-000-TOC | AXLES | 02-000-TOC |
| 03-000-TOC | STEERING SYSTEM | 03-000-TOC |
| 04-000-TOC | DRIVE TRAIN SYSTEM | 04-000-TOC |
| 05-000-TOC | COMPRESSED AIR SYSTEM | 05-000-TOC |
| 06-000-TOC | HYDRAULIC SYSTEM | 06-000-TOC |
| 07-000-TOC | ELECTRICAL SYSTEM | 07-000-TOC |
| 08-000-TOC | CAB | 08-000-TOC |
| 09-000-TOC | CHASSIS | 09-000-TOC |
| 10-000-TOC | WHEELS | 10-000-TOC |
| 11-000-TOC | IMPLEMENT LIFT SYSTEM FRONT | 11-000-TOC |
| 12-000-TOC | IMPLEMENT LIFT SYSTEM REAR | 12-000-TOC |
| 13-000-TOC | FRONT/REAR LOADERS | 13-000-TOC |
| 14-000-TOC | ATTACHMENTS | 14-000-TOC |
| 15-000-TOC | ACCESSORIES | 15-000-TOC |

GT 380GT (380/00001-99999)
7519



7519

| Item | Part Number | Qty | Description Comments | Technical Specification |
|------|-------------|-----|--|--------------------------|
| | | | --> 380/7000 <-- 380/90001 --> 380/93000 | |
| | 72431101 | 1 | DIESEL ENGINE <-- Z380.200.010.050 ENGINE EXCHANGE | |
| 1 | 72343230 | 1 | CRANKCASE >< 7, 12-18, 26, 27 + 30-33 | |
| 2 | 72324286 | 10 | ADAPTER BUSH | |
| 3 | 72323521 | 10 | HEXAGONAL HEAD BOLT | |
| 4 | 72323682 | 10 | DISC | |
| 5 | 72323946 | 4 | BEARING CAP | |
| 6 | 72323945 | 1 | BEARING CAP | |
| 7 | 72344344 | 1 | BUSH | |
| 8 | 72324293 | 5 | CRANKSHAFT BEARING 70,00 MM | |
| | 72415975 | 5 | CRANKSHAFT BEARING 69,75 MM | |
| | 72415976 | 5 | CRANKSHAFT BEARING 69,50 MM | |
| 9 | 72425118 | 1 | THRUST RING 2,94 MM | |
| | 72323990 | 1 | THRUST RING FOR STEEL CRANKSHAFT 3,25 MM | |
| | 72496405 | 1 | THRUST RING FOR CAST STEEL CRANKSHAFT 3,14 MM | 3,14MM |
| | 72323991 | 1 | THRUST RING FOR STEEL CRANKSHAFT 3,50 MM | |
| 12 | 72323675 | 5 | SLOTTED PLUG | |
| 13 | 72427167 | 5 | SCREW | DIN 908 M12 X 1,5-ST-A3 |
| 14 | 72315090 | 5 | SEALING WASHER | DIN 7603 A12X15,5-CU |
| 15 | 72323690 | 1 | LOCKING DISC | |
| 16 | 72323573 | 2 | TENSIONER BUSHING | |
| 17 | 72324021 | 1 | BAFFLE | |
| 18 | 72372707 | 2 | SLOTTED PIN | DIN 1476-6X10-ST |
| 19 | 72324099 | 1 | COVER | |
| 20 | 72425119 | 1 | SHAFT SEAL | |
| 21 | 72324291 | 1 | SEAL | |
| | 72311273 | 1 | SEALING COMPOUND | TEROST-63S |
| 22 | 72315650 | 8 | HEXAGONAL HEAD BOLT | DIN 933 M8 X 20-8.8A3L |
| 23 | 72311788 | 8 | DISC | DIN 125-8,4-ST.A3L |
| 25 | 72323983 | 1 | THRUST RING 3,00 MM | |
| | 72323984 | 1 | THRUST RING FOR STEEL CRANKSHAFT 3,25 MM | |
| | 72425121 | 1 | THRUST RING FOR CAST STEEL CRANKSHAFT 3,14 MM | |
| | 72323985 | 1 | THRUST RING FOR STEEL CRANKSHAFT 3,50 MM | |
| 26 | 72323672 | 2 | SCREW | |
| 27 | 72376031 | 1 | SEALING WASHER | DIN 7603 A20X24-CU |
| 30 | 72374942 | 1 | PLUG | DIN 7604 CM10X1-ST |
| 31 | 72315088 | 1 | SEALING WASHER | DIN 7603 A10X13,5-CU |
| 32 | 72315104 | 1 | SEALING WASHER | DIN 7603 A26X31-CU |
| 33 | 72315803 | 1 | SCREW | DIN 7604 CM26X1,5-ST-A3L |
| 34 | 72323653 | 1 | CORE HOLE PLUG | |
| 35 | 72324312 | 1 | BOLT | |
| 37 | 72324455 | 1 | BUSH | |
| 38 | 72344347 | 1 | PIVOT | |

<https://www.ebooklibonline.com>

Hello dear friend!

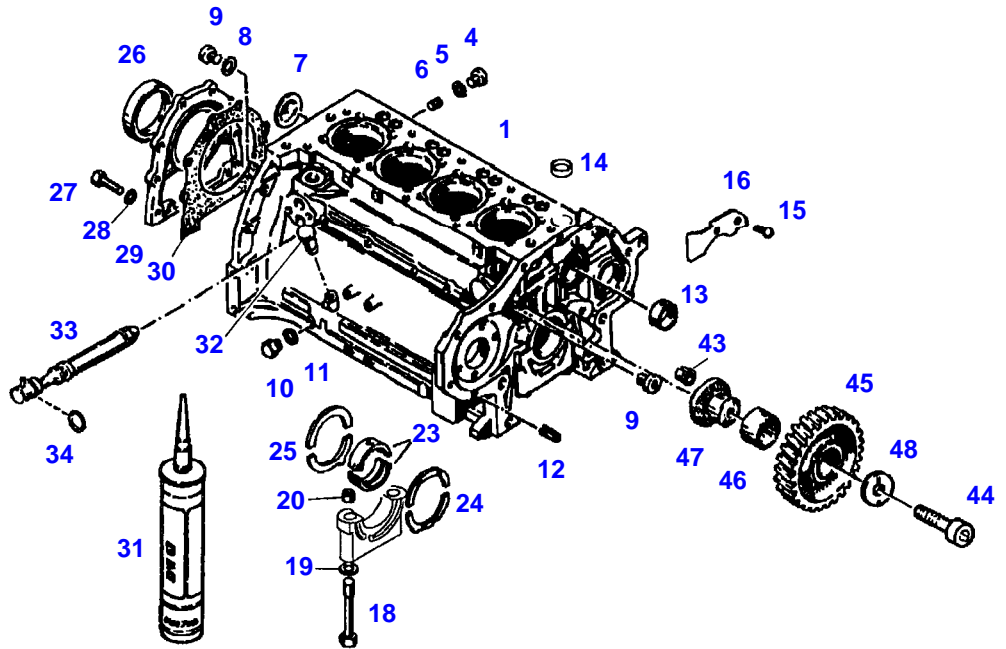
Thank you very much for reading.

Enter the link into your browser.

The full manual is available for immediate download.

<https://www.ebooklibonline.com>

| Item | Part Number | Qty | Description Comments | Technical Specification |
|------|-------------|-----|---|-------------------------|
| 39 | 72344346 | 1 | TENSIONER BUSHING | |
| 40 | 72324090 | 1 | SOCKET HEAD BOLT ENG.NO. --> 7 238 267 <> <> | |
| | 72324457 | 1 | DISC | |
| | 72324088 | 1 | CLIP PIN | |
| 41 | 72324456 | 1 | GEAR WHEEL ENG.NO. --> 7 238 267 <> <> | |
| | 72324088 | 1 | CLIP PIN | |
| | 72344347 | 1 | PIVOT | |
| | 72324457 | 1 | DISC | |
| | 72324090 | 1 | SOCKET HEAD BOLT | |
| 42 | 72324216 | 4 | SPRAY NOZZLE --> 7 238 268 ENG.NO. | |
| | 72324217 | 4 | SPRAY NOZZLE <-- 7 305 963 ENG.NO. | |
| 43 | 72323628 | 4 | SEAL | |
| 45 | 72324457 | 1 | DISC <-- 7 305 964 ENG.NO. | |
| 46 | 72324250 | 1 | SEAL KIT WITHOUT SHAFT SEALING RINGS | |



031074

| Item | Part Number | Qty | Description Comments | Technical Specification |
|------|-------------|-----|---|-------------------------|
| | | | <-- 380/7001 --> 380/90000 <-- 380/93001 | |
| | 72436673 | 1 | DIESEL ENGINE | |
| 1 | 72335418 | 1 | CRANKCASE ><1-21 | |
| | 72324250 | 1 | SEAL KIT | |
| 4 | 72427167 | 5 | SCREW | DIN 908 M12 X 1,5-ST-A3 |
| 5 | 72315090 | 5 | SEALING WASHER | DIN 7603 A12X15,5-CU |
| 6 | 72323675 | 5 | SLOTTED PLUG | |
| 7 | 72323690 | 1 | LOCKING DISC | |
| 8 | 72376031 | 1 | SEALING WASHER | DIN 7603 A20X24-CU |
| 9 | 72323672 | 2 | SCREW | |
| 10 | 72374942 | 1 | PLUG | DIN 7604 CM10X1-ST |
| 11 | 72315088 | 1 | SEALING WASHER | DIN 7603 A10X13,5-CU |
| 12 | 72323573 | 2 | TENSIONER BUSHING | |
| 13 | 72344344 | 1 | BUSH | |
| 14 | 72323653 | 1 | CORE HOLE PLUG | |
| 15 | 72372707 | 2 | SLOTTED PIN | DIN 1476-6X10-ST |
| 16 | 72344345 | 1 | BAFFLE | |
| 18 | 72344343 | 10 | HEXAGONAL HEAD BOLT | |
| 19 | 72323682 | 10 | DISC | |
| 20 | 72344342 | 10 | ADAPTER BUSH | |
| 23 | 72324293 | 5 | CRANKSHAFT BEARING 70,00 MM | |
| | 72415975 | 5 | CRANKSHAFT BEARING 69,75 MM | |
| | 72415976 | 5 | CRANKSHAFT BEARING 69,50 MM | |
| 24 | 72317654 | 1 | THRUST RING 3,00 MM | |
| | 72323984 | 1 | THRUST RING FOR STEEL CRANKSHAFT 3,25 MM | |
| | 72425121 | 1 | THRUST RING FOR CAST STEEL CRANKSHAFT 3,14 MM | |
| | 72323985 | 1 | THRUST RING FOR STEEL CRANKSHAFT 3,50 MM | |
| 25 | 72425118 | 1 | THRUST RING 2,94 MM | |
| | 72323990 | 1 | THRUST RING FOR STEEL CRANKSHAFT 3,25 MM | |
| | 72496405 | 1 | THRUST RING FOR CAST STEEL CRANKSHAFT 3,14 MM | 3,14MM |
| | 72323991 | 1 | THRUST RING FOR STEEL CRANKSHAFT 3,50 MM | |
| 26 | 72425119 | 1 | SHAFT SEAL | |
| 27 | 72315650 | 8 | HEXAGONAL HEAD BOLT | DIN 933 M8 X 20-8.8A3L |
| 28 | 72311788 | 8 | DISC | DIN 125-8,4-ST.A3L |
| 29 | 72324099 | 1 | COVER | |
| 30 | 72324291 | 1 | SEAL /31 | |
| 31 | 72311273 | 1 | SEALING COMPOUND /30 | TEROST-63S |
| 32 | 72324312 | 1 | BOLT | |
| 33 | 72420361 | 1 | SPRAY NOZZLE ><34 | |
| 34 | 72375468 | 1 | SPLIT WASHER | DIN 7980-8-A3L |
| 43 | 72344346 | 1 | TENSIONER BUSHING | |
| 44 | 72324090 | 1 | SOCKET HEAD BOLT | |

Fendt

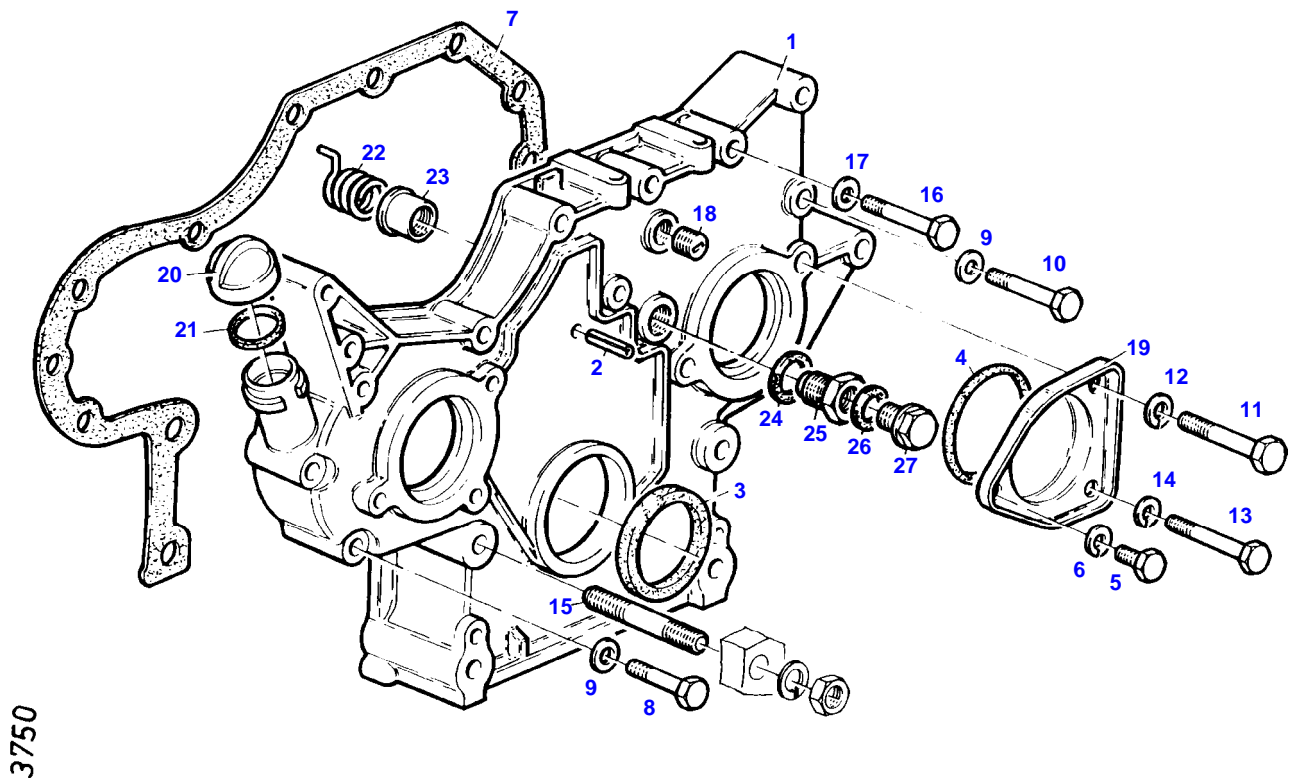
GT 380GT (380/00001-99999)

F380000

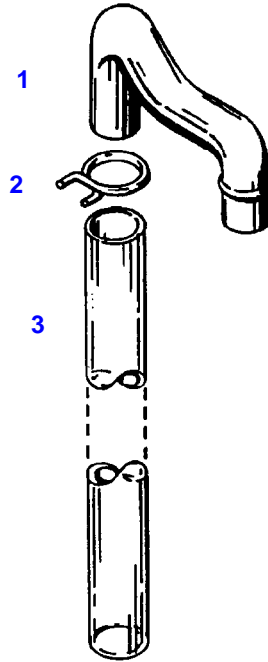
CRANKCASE

Page01-0020

| Item | Part Number | Qty | Description Comments | Technical Specification |
|------|-------------|-----|-------------------------|-------------------------|
| 45 | 72324456 | 1 | GEAR WHEEL | |
| 46 | 72324455 | 1 | BUSH | |
| 47 | 72344347 | 1 | PIVOT | |
| 48 | 72324457 | 1 | DISC | |



| Item | Part Number | Qty | Description Comments | Technical Specification |
|------|-------------|-----|---|--------------------------------|
| 1 | 72324394 | 1 | COVER | |
| 2 | 72375153 | 1 | TENSIONING PIN | ISO8752-6X45-A-ST-ZNPHR10F-KOE |
| 3 | 72317651 | 1 | SHAFT SEAL | |
| 4 | 72323595 | 1 | SEAL 82X3,15MM --> 380/7000 | |
| | 72323566 | 1 | PERMANENT REINFORCEMENT 80X3MM <-- 380/7001 | |
| 5 | 72374417 | 1 | HEXAGONAL HEAD BOLT | DIN 933 M8X8-8.8 |
| 6 | 72315053 | 1 | SPLIT WASHER | FWN 65208-8-A3L |
| 7 | 72324304 | 1 | SEAL | |
| | 72311273 | 1 | SEALING COMPOUND | TEROST-63S |
| 8 | 72374161 | 1 | HEXAGONAL HEAD BOLT | DIN 931 M8X60 GWA-10.9 |
| 9 | 72311788 | 3 | DISC | DIN 125-8,4-ST.A3L |
| 10 | 72315534 | 2 | HEXAGONAL HEAD BOLT | DIN 931 M8 X 70-8.8 |
| 11 | 72374183 | 1 | HEXAGONAL HEAD BOLT | DIN 931 M10X75-8.8 |
| 12 | 72315054 | 1 | SPLIT WASHER | FWN 65208-10-A3L |
| 13 | 72315537 | 1 | HEXAGONAL HEAD BOLT | DIN 931 M8X85-8.8A3L |
| 14 | 72315053 | 1 | SPLIT WASHER | FWN 65208-8-A3L |
| 15 | | | SEE FRONT AXLE BRACKET | |
| 16 | 72315534 | 2 | HEXAGONAL HEAD BOLT | DIN 931 M8 X 70-8.8 |
| 17 | 72311788 | 2 | DISC | DIN 125-8,4-ST.A3L |
| 18 | 72323556 | 1 | SLOTTED PLUG | |
| 19 | 72324418 | 1 | COVER | |
| 20 | 72323709 | 1 | COVER >< 20 + 21 | |
| 21 | 72323708 | 1 | SEALING WASHER | |
| 22 | 72324159 | 1 | COMPRESSION SPRING | |
| 23 | 72323827 | 1 | START-UP CAP | |
| 24 | 72376036 | 1 | SEALING WASHER | DIN7603 A24X30-ALU |
| 25 | 72324020 | 1 | SCREW | |
| 26 | 72315099 | 1 | SEALING WASHER | DIN 7603 A18X22-CU |
| 27 | 72315801 | 1 | SCREW | DIN 7604-AM18 X 1,5-ST A3L |



010461

Fendt

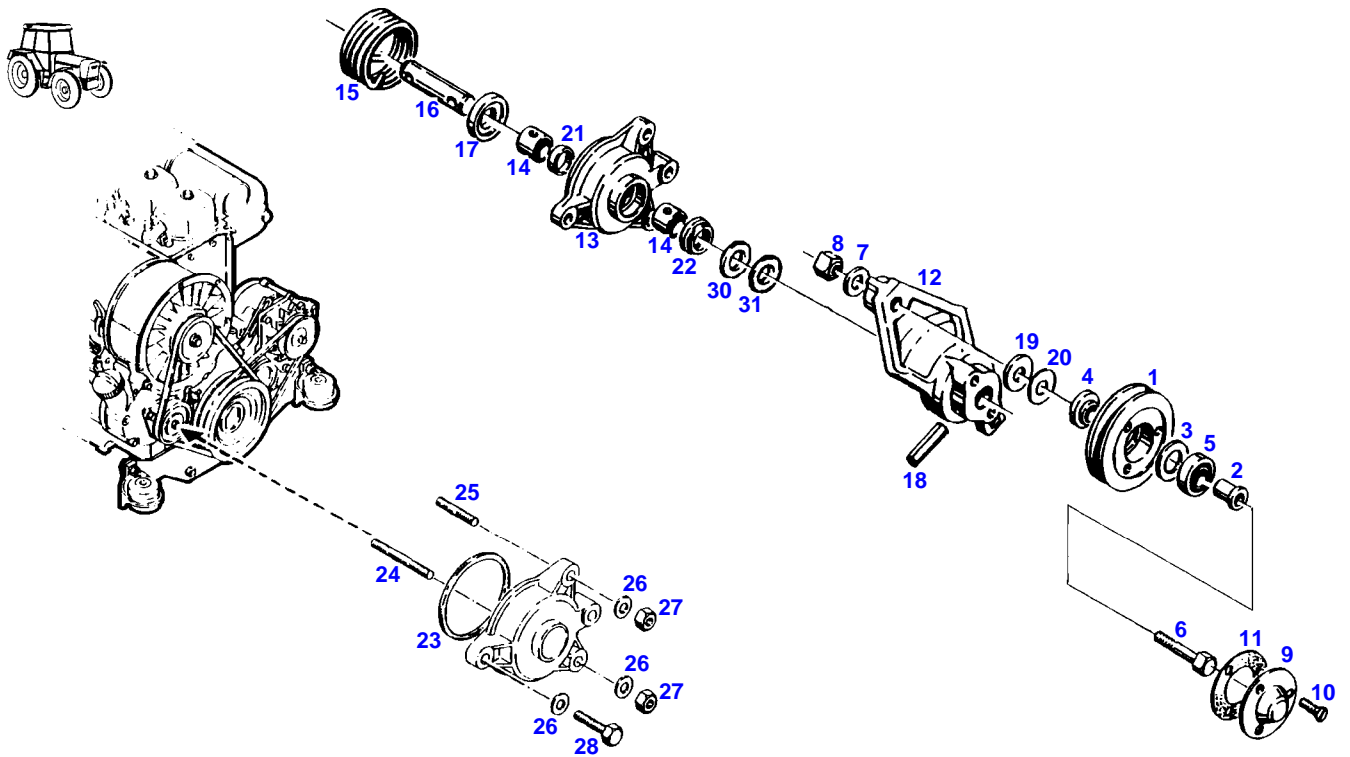
GT 380GT (380/00001-99999)

F380000

BREATHER PIPE

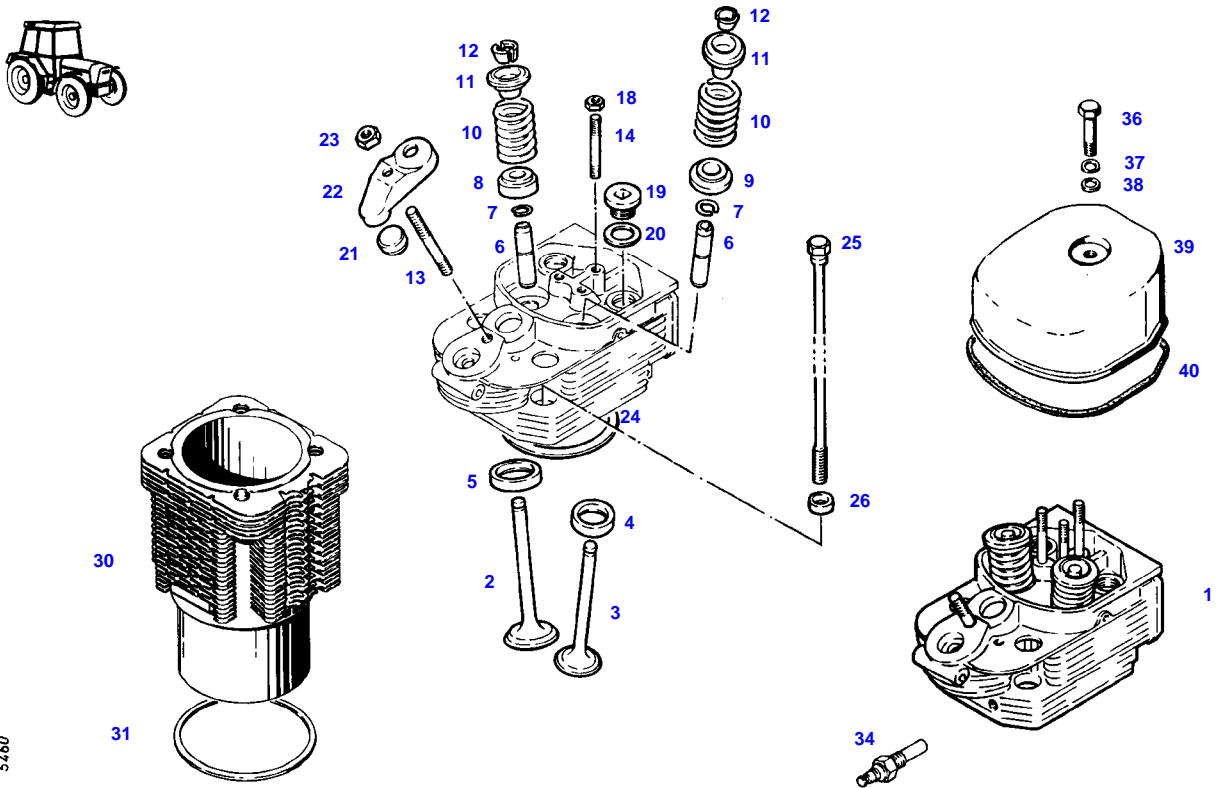
Page01-0022

| Item | Part Number | Qty | Description Comments |
|------|-------------|-----|---|
| | | | <-- 380/7001 --> 380/90000 <-- 380/93001 |
| 1 | 72323767 | 1 | PIPE |
| 2 | 72323550 | 1 | CLAMP |
| 3 | 72323735 | 1 | HOSE |



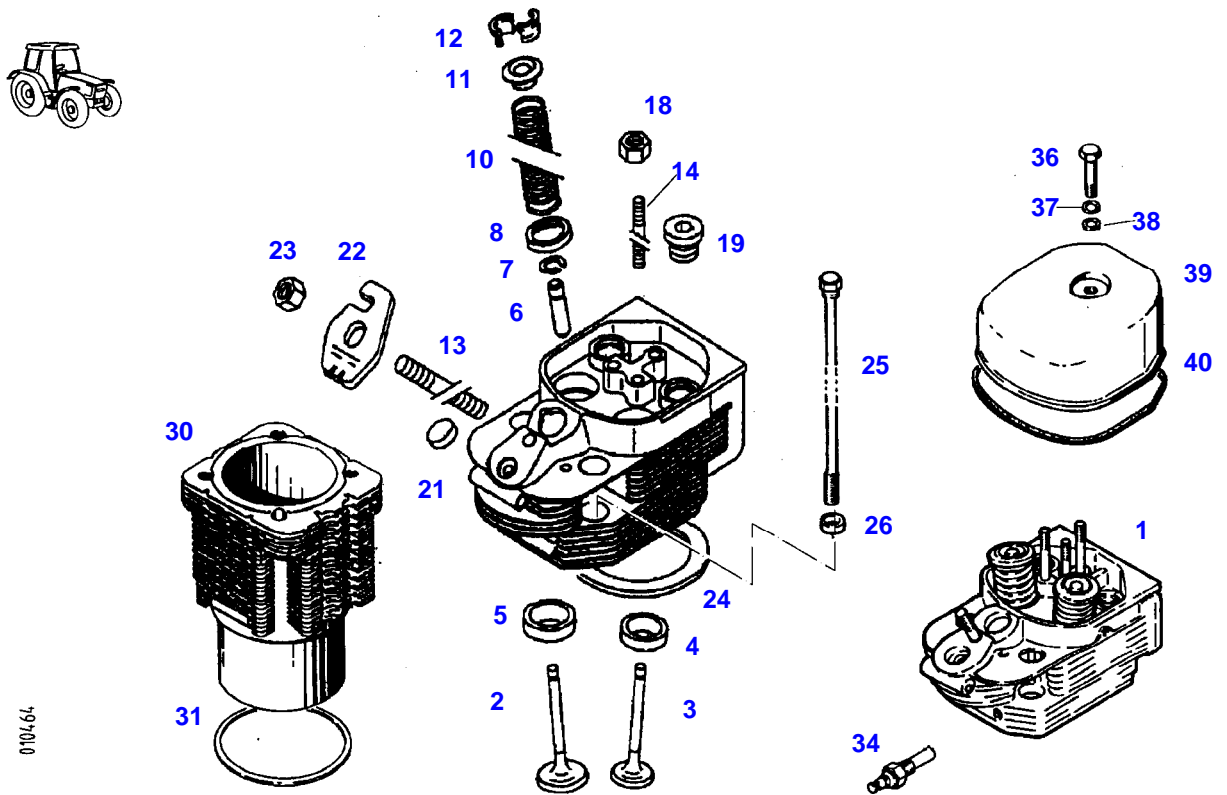
10775

| Item | Part Number | Qty | Description Comments | Technical Specification |
|------|-------------|-----|---------------------------------|-------------------------|
| 1 | 72324420 | 1 | TENSIONING ROLLER ><1-22 | |
| | 72323802 | 1 | V BELT SHEAVE | |
| 2 | 72323801 | 1 | FLANGE BUSHING | |
| 3 | 72323848 | 1 | DISC | |
| 4 | 72323847 | 1 | RING | |
| 5 | 72323614 | 1 | BALL BEARING | |
| 6 | 72374158 | 1 | HEXAGONAL HEAD BOLT | DIN 931 M8X45-8.8 |
| 7 | 72311788 | 1 | DISC | DIN 125-8,4-ST.A3L |
| 8 | 72313268 | 1 | NUT | DIN 934 M8-8A3L |
| 9 | 72324165 | 1 | COVER | |
| 10 | 72374838 | 3 | COUNTERSUNK CAPSCREW | DIN 963 M6X16-4.8A3L |
| 11 | 72323849 | 1 | SEAL | |
| 12 | 72324421 | 1 | TENSIONER LEVER | |
| 13 | 72324433 | 1 | TENSIONER COVER | |
| 14 | 72324169 | 2 | BEARING BUSHING | |
| 15 | 72324168 | 1 | LEG SPRING | |
| 16 | 72324174 | 1 | SHAFT | |
| 17 | 72324175 | 1 | DISC | |
| 18 | 72313829 | 1 | TENSIONING PIN | ISO8752-8X32-A-ST |
| 19 | 72323824 | 1 | DISC 1,0 MM | |
| 20 | 72324184 | 3 | DISC 0,3 MM | |
| 21 | 72324176 | 1 | SPACER RING | |
| 22 | 72324172 | 1 | SHAFT SEAL | |
| 23 | 72323566 | 1 | PERMANENT REINFORCEMENT 80X3 | |
| | 72343078 | 1 | PERMANENT REINFORCEMENT 78X3 | |
| 24 | 72373909 | 1 | STUD BOLT | DIN 835 M8X45-5.8 |
| 25 | 72373902 | 1 | STUD BOLT | DIN 835 M8X25-5.8 |
| 26 | 72323683 | 3 | DISC | |
| 27 | 72313268 | 2 | NUT | DIN 934 M8-8A3L |
| 28 | 72315657 | 1 | HEXAGONAL HEAD BOLT | DIN 933 M8 X 30-8.8A3L |
| 30 | 72344353 | 1 | THRUST WASHER | |
| 31 | 72344354 | 1 | THRUST WASHER | |



| Item | Part Number | Qty | Description Comments | Technical Specification |
|------|-------------|-----|---|-------------------------|
| | | | --> 380/7000 <-- 380/90001 --> 380/93000 | |
| 1 | 72324423 | 4 | CYLINDER HEAD ><1-14 <>24 <> | |
| | 72344280 | 4 | COMPENSATING RING | |
| | 72344277 | 4 | COMPENSATING RING | |
| | 72344274 | 4 | COMPENSATING RING | |
| | 72344275 | 4 | COMPENSATING RING | |
| | 72344281 | 4 | COMPENSATING RING | |
| | 72344276 | 4 | COMPENSATING RING | |
| | 72344279 | 4 | COMPENSATING RING | |
| | 72324496 | 4 | COMPENSATING RING | |
| | 72344282 | 4 | COMPENSATING RING | |
| | 72344278 | 4 | COMPENSATING RING | |
| 2 | 72324437 | 4 | INTAKE VALVE <> | |
| | 72323888 | 1 | SPRING RETAINER | |
| | 72333115 | 2 | VALVE SPRING KEY | |
| 3 | 72425071 | 4 | OUTLET VALVE <> | |
| | 72333115 | 2 | VALVE SPRING KEY | |
| | 72323888 | 1 | SPRING RETAINER | |
| 4 | 72323897 | 4 | VALVE SEAT RING 40,16 MM | |
| | 72323898 | 4 | VALVE SEAT RING 40,26 MM | |
| | 72323899 | 4 | VALVE SEAT RING 40,36 MM | |
| 5 | 72323894 | 4 | VALVE SEAT RING 45,66 MM | |
| | 72323895 | 4 | VALVE SEAT RING 45,76 MM | |
| | 72323896 | 4 | VALVE SEAT RING 45,85 MM | |
| 6 | 72324060 | 8 | VALVE GUIDE 15,00 MM | |
| | 72324070 | 8 | VALVE GUIDE 15,25 MM | |
| | 72324071 | 8 | VALVE GUIDE 15,50 MM | |
| 7 | 72323676 | 8 | LOCKWASHER | |
| 8 | 72323783 | 4 | VALVE TURN. DEV. | |
| 9 | 72323783 | 4 | VALVE TURN. DEV. | |
| 10 | 72324338 | 8 | COMPRESSION SPRING | |
| 11 | 72324349 | 8 | SPRING RETAINER | |
| 12 | 72323582 | 16 | TAPER PIECE HALF | |
| | 72333115 | 16 | VALVE SPRING KEY THREE GROOVE | |
| 13 | 72373929 | 4 | STUD BOLT | DIN 835 M10X70-8.8 |
| 14 | 72418370 | 12 | STUD BOLT | DIN 835-M8 SN4X55-8.8 |
| 18 | 72313268 | 12 | NUT | DIN 934 M8-8A3L |
| 19 | 72373957 | 8 | SCREW | DIN 908-M26X1,5-ST-A3L |
| 20 | 72315104 | 8 | SEALING WASHER | DIN 7603 A26X31-CU |
| 21 | 72323919 | 4 | DISC | |
| 22 | 72323921 | 4 | HOLDER | |
| 23 | 72313272 | 4 | NUT | DIN 934 M10-8A3L |
| 24 | 72324496 | 4 | COMPENSATING RING 1,10 MM | |
| | 72344274 | 4 | COMPENSATING RING 1,15 MM | |
| | 72344275 | 4 | COMPENSATING RING 1,20 MM | |

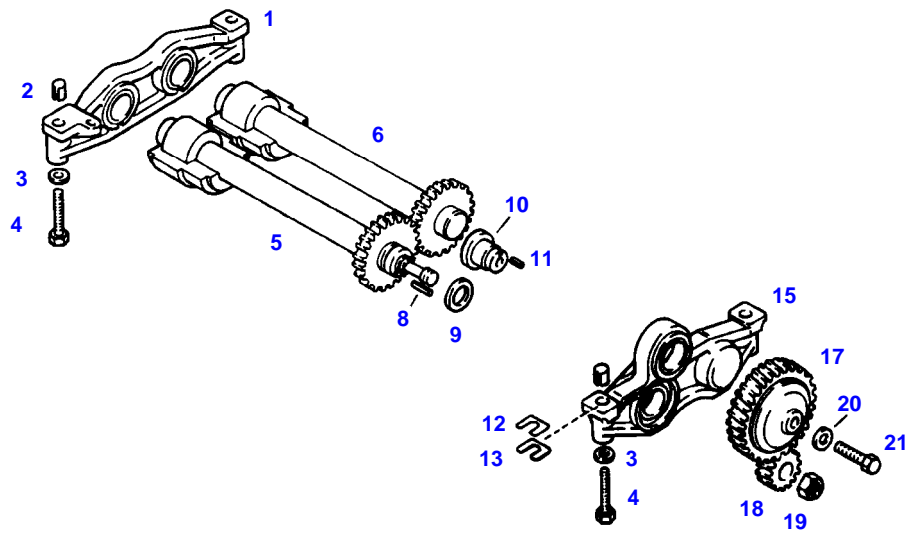
| Item | Part Number | Qty | Description Comments | Technical Specification |
|------|-------------|-----|--|-------------------------|
| | 72344276 | 4 | COMPENSATING RING 1,25 MM | |
| | 72344277 | 4 | COMPENSATING RING 1,30 MM | |
| | 72344278 | 4 | COMPENSATING RING 1,35 MM | |
| | 72344279 | 4 | COMPENSATING RING 1,40 MM | |
| | 72344280 | 4 | COMPENSATING RING 1,45 MMM | |
| | 72344281 | 4 | COMPENSATING RING 1,50 MM | |
| | 72344282 | 4 | COMPENSATING RING 1,55 MM | |
| 25 | 72324409 | 16 | SOCKET HEAD BOLT | |
| 26 | 72324345 | 16 | MACHINE WASHER | |
| 30 | 72324477 | 4 | CYLINDER 102,00 MM | |
| 31 | 72323891 | X | COMPENSATING RING 0,20 MM | |
| | 72324067 | X | COMPENSATING RING 0,50 MM | |
| | 72324374 | X | COMPENSATING RING 0,80 MM | |
| | 72324201 | X | COMPENSATING RING 1,00 MM | |
| 34 | | | SEE ELECTRICAL SYSTEM | |
| 36 | 72315657 | 4 | HEXAGONAL HEAD BOLT | DIN 933 M8 X 30-8.8A3L |
| | 72325293 | 4 | HEXAGONAL HEAD BOLT FOR DOMED CYLINDER HEAD COVER | M8X30 |
| 37 | 72311788 | 4 | DISC | DIN 125-8,4-ST.A3L |
| 38 | 72323693 | 4 | SEALING WASHER | |
| | 72488855 | 4 | SEALING WASHER FOR DOMED CYLINDER HEAD COVER | |
| 39 | 72324097 | 4 | CYLINDER HEAD COVER FLAT <-- F149.200.210.240 | |
| | 72488845 | 4 | CYLINDER HEAD COVER VAULTED ><36,38,40 | |
| 40 | 72485671 | 4 | SEAL | |
| | 72485671 | 4 | SEAL FOR DOMED CYLINDER HEAD COVER | |



010464

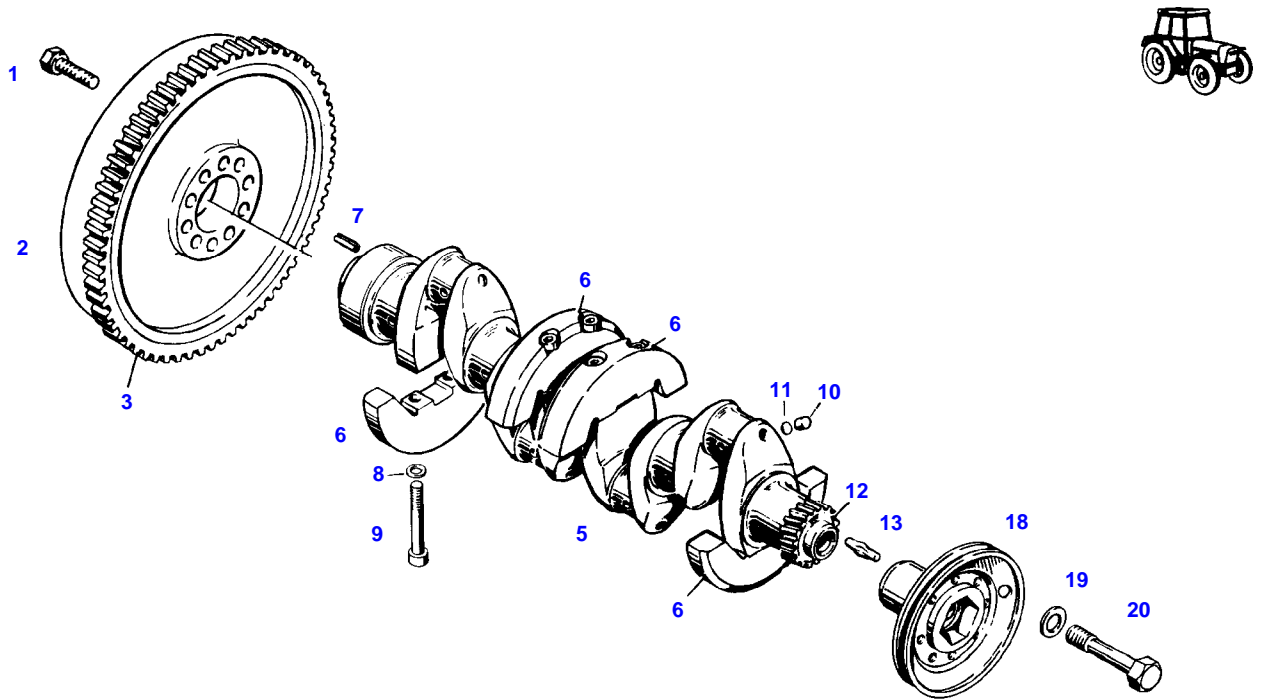
| Item | Part Number | Qty | Description Comments | Technical Specification |
|------|-------------|-----|---|-------------------------|
| | | | <-- 380/7001 --> 380/90000 <-- 380/93001 | |
| 1 | 72474193 | 4 | CYLINDER HEAD ><1-14 <>24 <> | |
| | 72333128 | 4 | COMPENSATING RING | |
| | 72333127 | 4 | COMPENSATING RING | |
| | 72344275 | 4 | COMPENSATING RING | |
| | 72344282 | 4 | COMPENSATING RING | |
| | 72344280 | 4 | COMPENSATING RING | |
| 2 | 72333119 | 4 | INTAKE VALVE | |
| 3 | 72333118 | 4 | OUTLET VALVE | |
| 4 | 72323897 | 4 | VALVE SEAT RING 40,16 MM | |
| | 72323898 | 4 | VALVE SEAT RING 40,26 MM | |
| | 72323899 | 4 | VALVE SEAT RING 40,36 MM | |
| 5 | 72333122 | 4 | VALVE SEAT RING 45,66 MM | |
| | 72333125 | 4 | VALVE SEAT RING 45,76 MM | |
| | 72333126 | 4 | VALVE SEAT RING 45,86 MM | |
| 6 | 72333121 | 8 | VALVE GUIDE DUAL GROOVE 15,00 MM | |
| | 72415971 | 8 | VALVE GUIDE SINGLE GROOVE 15,00 MM | |
| | 72333123 | 8 | VALVE GUIDE 15,25 MM | |
| | 72333124 | 8 | VALVE GUIDE 15,50 MM | |
| 7 | 72323676 | 8 | LOCKWASHER | |
| 8 | 72323888 | 8 | SPRING RETAINER | |
| 10 | 72324338 | 8 | COMPRESSION SPRING | |
| 11 | 72324349 | 8 | SPRING RETAINER | |
| 12 | 72333115 | 16 | VALVE SPRING KEY | |
| 13 | 72373927 | 4 | STUD BOLT | DIN 835 M10X50-8.8 |
| 14 | 72418370 | 12 | STUD BOLT | DIN 835-M8 SN4X55-8.8 |
| 18 | 72313268 | 12 | NUT | DIN 934 M8-8A3L |
| 19 | 72373957 | 8 | SCREW | DIN 908-M26X1,5-ST-A3L |
| 21 | 72323919 | 4 | DISC | |
| 22 | 72333416 | 4 | HOLDER | |
| 23 | 72313271 | 4 | NUT | DIN 934 M10-8 |
| 24 | 72344275 | 4 | COMPENSATING RING 1,20 MM | |
| | 72344280 | 4 | COMPENSATING RING 1,45 MM | |
| | 72344282 | 4 | COMPENSATING RING 1,55 MM | |
| | 72333127 | 4 | COMPENSATING RING 1,65 MM | |
| | 72333128 | 4 | COMPENSATING RING 1,90 MM | |
| 25 | 72324409 | 16 | SOCKET HEAD BOLT | |
| 26 | 72324345 | 16 | MACHINE WASHER | |
| 30 | 72324477 | 4 | CYLINDER 102,00 MM | |
| 31 | 72324067 | X | COMPENSATING RING 0,50 MM | |

| Item | Part Number | Qty | Description Comments | Technical Specification |
|------|-------------|-----|--|-------------------------|
| | 72324374 | X | COMPENSATING RING 0,80 MM | |
| | 72324201 | X | COMPENSATING RING 1,00 MM | |
| 34 | | | SEE LIGHTS AND HORN | |
| 36 | 72315657 | 4 | HEXAGONAL HEAD BOLT | DIN 933 M8 X 30-8.8A3L |
| | 72325293 | 4 | HEXAGONAL HEAD BOLT FOR DOMED CYLINDER HEAD COVER | M8X30 |
| 37 | 72311788 | 4 | DISC | DIN 125-8,4-ST.A3L |
| 38 | 72323693 | 4 | SEALING WASHER | |
| | 72488855 | 4 | SEALING WASHER FOR DOMED CYLINDER HEAD COVER | |
| 39 | 72324097 | 4 | CYLINDER HEAD COVER FLAT <-- F149.200.210.240 | |
| | 72488845 | 4 | CYLINDER HEAD COVER VAULTED >>36,38,40 | |
| 40 | 72485671 | 4 | SEAL FOR DOMED CYLINDER HEAD COVER | |
| | 72485671 | 4 | SEAL | |



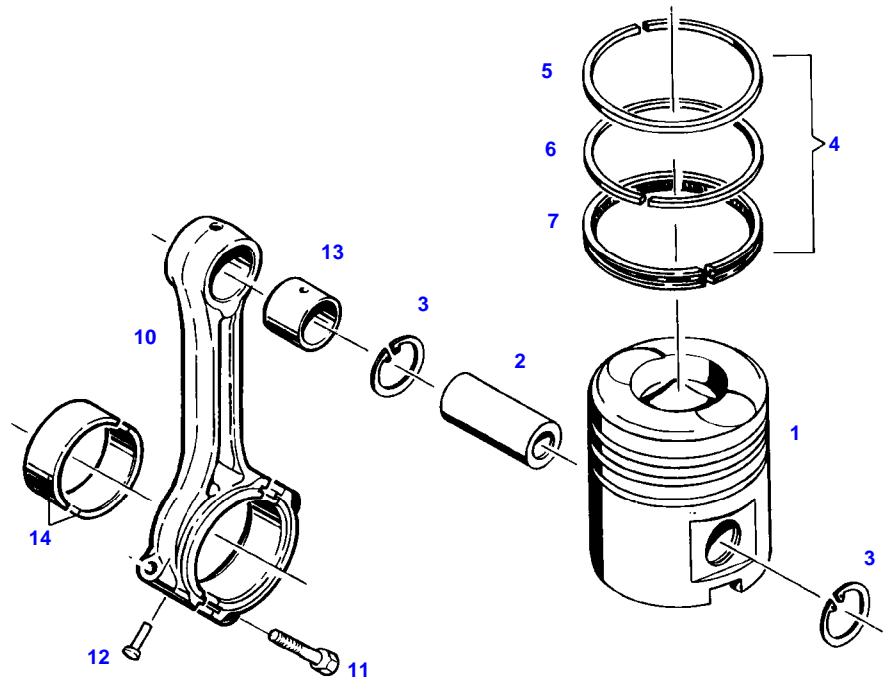
5459

| Item | Part Number | Qty | Description Comments | Technical Specification |
|------|-------------|-----|--|--------------------------------|
| 1 | 72324145 | 1 | BEARING --> 380/7000 <-- 380/90001 --> 380/93000 | |
| | 72333465 | 1 | BEARING <-- 380/7001 --> 380/90000 <-- 380/93001 | |
| 2 | 72323642 | 4 | TENSIONER BUSHING | |
| 3 | 72323685 | 4 | DISC | |
| 4 | 72374161 | 4 | HEXAGONAL HEAD BOLT | DIN 931 M8X60 GWA-10.9 |
| 5 | 72324131 | 1 | SHAFT --> 380/7000 <-- 380/90001 --> 380/93000 | |
| | 72333464 | 1 | SHAFT <-- 380/7001 --> 380/90000 <-- 380/93001 | |
| 6 | 72324130 | 1 | SHAFT --> 380/7000 <-- 380/90001 --> 380/93000 | |
| | 72333463 | 1 | SHAFT <-- 380/7001 --> 380/90000 <-- 380/93001 | |
| 8 | 72313794 | 1 | TENSIONING PIN | ISO8752-3X14-A-ST-ZNPHR10F-KOE |
| 9 | 72324047 | 1 | DISC | |
| 10 | 72324134 | 1 | BOLT | |
| 11 | 72375115 | 1 | TENSIONING PIN | ISO8752-3X8-A-ST-ZNPHR10F-KOEL |
| 12 | 72323831 | 2 | SHIM SPACER PLATE | |
| 13 | 72324135 | 1 | SHIM SPACER PLATE | |
| 15 | 72324146 | 1 | BEARING | |
| 17 | 72420824 | 1 | INTERMEDIATE GEAR | |
| 18 | 72324133 | 1 | PINION | |
| 19 | 72313301 | 1 | NUT | DIN 936 M18X1,5-17H-A3L |
| 20 | 72431557 | 1 | DISC | |
| 21 | 72315661 | 1 | HEXAGONAL HEAD BOLT | DIN 933 M8X40-10.9PHR |



5456

| Item | Part Number | Qty | Description Comments | Technical Specification |
|------|-------------|-----|---|--------------------------|
| 1 | 72374802 | 10 | HEXAGONAL HEAD BOLT | DIN 961 M10X1X35-10.9A4C |
| 2 | 72365122 | 1 | FLYWHEEL ><2+3 | |
| 3 | 72323784 | 1 | RING GEAR | |
| 5 | 72324434 | 1 | CRANKSHAFT ><5-13 ENG.NO. --> 8 524 571 <-- F148.200.310.020 1X | |
| | 72317650 | 1 | CRANKSHAFT ><7,12,13 ENG.NO. <-- 8 524 572 | |
| 6 | 72324032 | 4 | COUNTER-BALANCE WEIGHT ENG.NO. --> 8 524 571 | |
| 7 | 72375160 | 1 | TENSIONING PIN | ISO8752-8X18-A-ST |
| 8 | 72323684 | 8 | DISC ENG.NO. --> 8 524 571 | |
| 9 | 72315513 | 8 | SOCKET HEAD BOLT ENG.NO. --> 8 524 571 | DIN 912 M12X60-10.9 |
| 10 | 72323592 | 4 | PLUG ENG.NO. --> 8 524 571 | |
| 11 | 72323572 | 4 | DISC ENG.NO. --> 8 524 571 | |
| 12 | 72324150 | 1 | GEAR WHEEL | |
| 13 | 72372685 | 1 | DOWEL PIN | |
| 18 | 72324426 | 1 | V BELT SHEAVE | |
| 19 | 72323687 | 1 | DISC | |
| 20 | 72323571 | 1 | WAISTED SHANK BOLT | |



01/99

| Item | Part Number | Qty | Description Comments | Technical Specification |
|------|-------------|-----|--|-------------------------|
| | | | --> 380/7000 <-- 380/90001 --> 380/93000 | |
| 1 | 72324415 | 4 | PISTON WITH COOLING CHANNEL 102 MM >< 2-7 | |
| | 72324440 | 4 | PISTON WITH COOLING CHANNEL 102,50 MM >< 2-7 | |
| | 72333417 | 4 | PISTON 102 MM >< 2-7 PISTON HEIGHT 105 MM | |
| | 72324501 | 4 | PISTON 102 MM >< 2-7 PISTON HEIGHT 113 MM | |
| | 72324442 | 4 | PISTON 102,50 MM >< 2-7 | |
| 2 | | | NO SPARE PART | |
| 3 | 72311094 | 8 | LOCK WASHER | DIN 472-35X1,5 |
| 4 | 72324416 | 4 | PISTON RING KIT 102 MM >< 5-7 WITH COOLING CHANNEL | |
| | 72324441 | 4 | PISTON RING KIT 102,5 MM >< 5-7 WITH COOLING CHANNEL | |
| | 72324416 | 4 | PISTON RING KIT 102 MM >< 5-7 PISTON HEIGHT 113 MM | |
| | 72333418 | 4 | PISTON RING KIT PISTON HEIGHT 102 MM 105 MM | |
| | 72324441 | 4 | PISTON RING KIT 102,50 MM >< 5-7 | |
| 5 | | | NOT AVAILABLE IN SINGLE PARTS | |
| 6 | | | NOT AVAILABLE IN SINGLE PARTS | |
| 7 | | | NOT AVAILABLE IN SINGLE PARTS | |
| 10 | 72478326 | 4 | PISTON ROD >< 11-13 | |
| 11 | 72324484 | 8 | HEXAGONAL HEAD BOLT L=65,00 MM | |
| | 72426149 | 8 | HEXAGONAL HEAD BOLT L=62,50 MM | |
| 12 | 72323845 | 4 | FIXING PIN | |
| 13 | 72324343 | 4 | PISTON BUSH | |
| 14 | 72415974 | 4 | CONNECTING ROD BEARING 60,00 MM | |
| | 72415977 | 4 | CONNECTING ROD BEARING 59,75 MM | |

Fendt

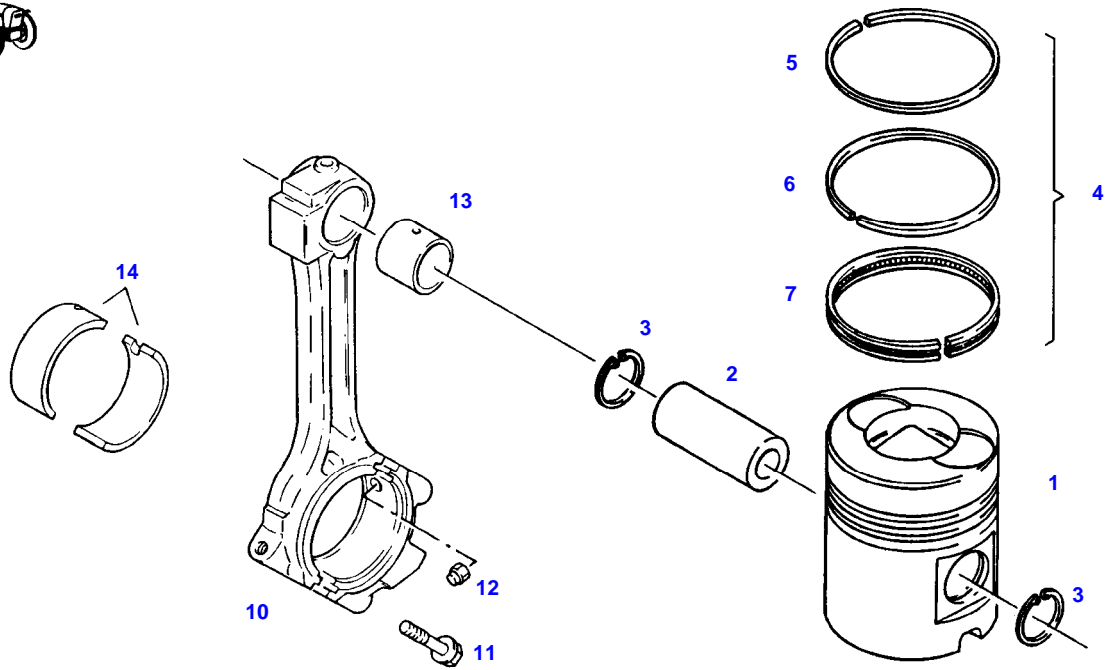
GT 380GT (380/00001-99999)

F380000

PISTON

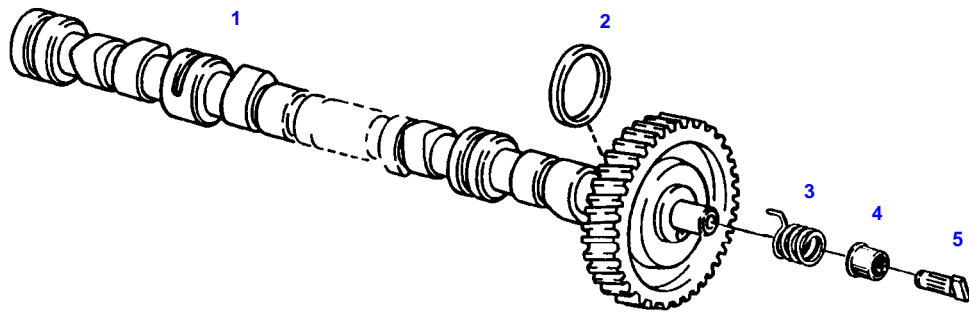
Page01-0028

| Item | Part Number | Qty | Description Comments | Technical Specification |
|------|-------------|-----|--|-------------------------|
| | 72415978 | 4 | CONNECTING ROD BEARING 59,50 MM | |
| | 72323927 | 4 | CONNECTING ROD BEARING FOR STEEL CRANKSHAFT 59,25 MM | |



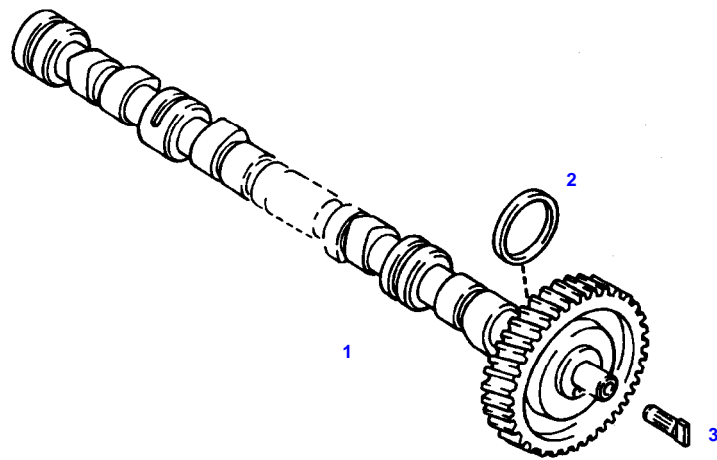
5457

| Item | Part Number | Qty | Description Comments | Technical Specification |
|------|-------------|-----|--|-------------------------|
| | | | <-- 380/7001 --> 380/90000 <-- 380/93001 | |
| 1 | 72343231 | 4 | PISTON 102 MM ><2-7 | |
| 2 | | | NO SPARE PART | |
| 3 | 72311094 | 8 | LOCK WASHER | DIN 472-35X1,5 |
| 4 | 72343232 | 4 | PISTON RING KIT ><5-7 | |
| 5 | | | NOT AVAILABLE IN SINGLE PARTS | |
| 6 | | | NOT AVAILABLE IN SINGLE PARTS | |
| 7 | | | NOT AVAILABLE IN SINGLE PARTS | |
| 10 | 72478326 | 4 | PISTON ROD ><11-13 | |
| 11 | 72324484 | 8 | HEXAGONAL HEAD BOLT L=65,00 MM | |
| | 72426149 | 8 | HEXAGONAL HEAD BOLT L=62,50 MM | |
| 12 | 72323845 | 4 | FIXING PIN | |
| 13 | 72324343 | 4 | PISTON BUSH | |
| 14 | 72415974 | 4 | CONNECTING ROD BEARING 60,00 MM | |
| | 72415977 | 4 | CONNECTING ROD BEARING 59,75 MM | |
| | 72415978 | 4 | CONNECTING ROD BEARING 59,50 MM | |
| | 72323927 | 4 | CONNECTING ROD BEARING FOR STEEL CRANKSHAFT 59,25 MM | |



7238

| Item | Part Number | Qty | Description Comments |
|------|-------------|-----|---|
| | | | --> 380/7000 <-- 380/90001 --> 380/93000 |
| 1 | 72416052 | 1 | CAMSHAFT |
| 2 | 72324337 | 1 | DISC |
| 3 | 72324159 | 1 | COMPRESSION SPRING |
| 4 | 72323827 | 1 | START-UP CAP |
| 5 | | | SEE ELECTRICAL SYSTEM TRANSMITTER |



5461

Fendt

GT 380GT (380/00001-99999)

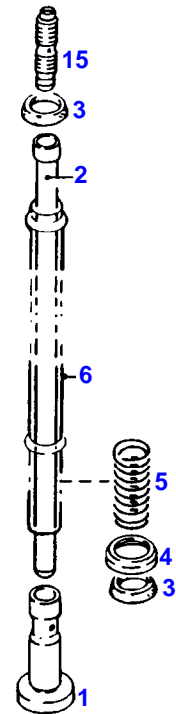
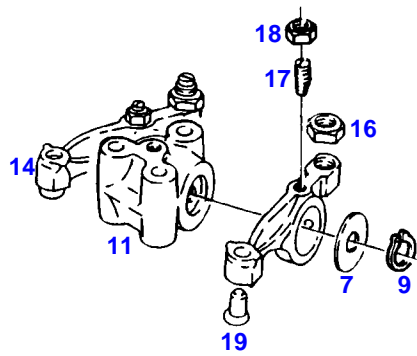
F380000

CAMSHAFT

Page01-0031

| Item | Part Number | Qty | Description Comments |
|------|-------------|-----|---|
| | | | <-- 380/7001 --> 380/90000 <-- 380/93001 |
| 1 | 72488619 | 1 | CAMSHAFT |
| 2 | 72324337 | 1 | DISC |
| 3 | | | SEE TRACTOMETER SYSTEM |

| Item | Part Number | Qty | Description Comments | Technical Specification |
|------|-------------|-----|---|-------------------------|
| | | | --> 380/7000 <-- 380/90001 --> 380/93000 | |
| 1 | 72324362 | 8 | VALVE TAPPET | |
| 2 | 72324428 | 8 | BUMPER | |
| 3 | 72324064 | 16 | SEALING WASHER | |
| 4 | 72324363 | 8 | CAP | |
| 5 | 72324360 | 8 | COIL SPRING | |
| 6 | 72324364 | 8 | SHIELD PIPE | |
| 7 | 72323681 | 8 | DISC | |
| 8 | 72313777 | 8 | STUD BOLT | DIN 939 M10X35-8.8 |
| 9 | 72313272 | 8 | NUT | DIN 934 M10-8A3L |
| 10 | 72324161 | 8 | BUSH | |
| 11 | 72324359 | 4 | ROCKER ARM SUPPORT | |
| 14 | 72324142 | 8 | ROCKER ARM ><15-20 | |
| 15 | 72324333 | 8 | ADJUSTING SCREW | |
| 16 | 72372876 | 8 | NUT | DIN 936 M10X1-17H |
| 17 | 72324355 | 8 | OIL NOZZLE | |
| 18 | 72313266 | 6 | NUT | DIN 934 M6-8A3L |
| 19 | 72324137 | 6 | CLEVIS PIN | |
| 20 | 72324160 | 6 | BUSH | |



10625



Suggest:

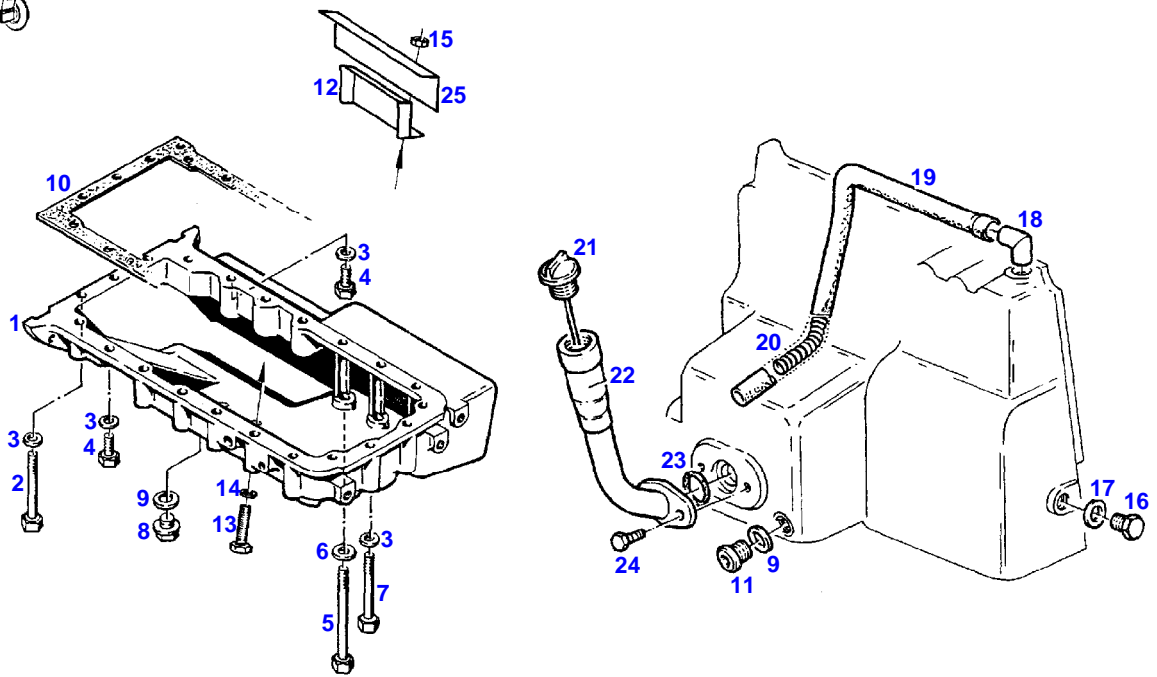
For more complete manuals. Please go to the home page.

<https://www.ebooklibonline.com>

If the above button click is invalid. Please download this document first, and then click the above link to download the complete manual.

Thank you so much for reading

| Item | Part Number | Qty | Description Comments | Technical Specification |
|------|-------------|-----|---|-------------------------|
| | | | <-- 380/7001 --> 380/90000 <-- 380/93001 | |
| 1 | 72324362 | 6 | VALVE TAPPET | |
| 2 | 72324428 | 6 | BUMPER | |
| 3 | 72324064 | 12 | SEALING WASHER | |
| 4 | 72324363 | 6 | CAP | |
| 5 | 72324360 | 6 | COIL SPRING | |
| 6 | 72324364 | 6 | SHIELD PIPE | |
| 7 | 72344293 | 6 | DISC | |
| 9 | 72375564 | 6 | LOCK WASHER | DIN 471-21X1,2 |
| 11 | 72415982 | 3 | ROCKER ARM SUPPORT | |
| 14 | 72344295 | 6 | ROCKER ARM ><15-19 <-- F149.200.410.030 | |
| 15 | 72324333 | 6 | ADJUSTING SCREW | |
| 16 | 72372876 | 6 | NUT | DIN 936 M10X1-17H |
| 17 | 72324355 | 6 | OIL NOZZLE | |
| 18 | 72313266 | 6 | NUT | DIN 934 M6-8A3L |
| 19 | 72324137 | 6 | CLEVIS PIN | |



11823

| Item | Part Number | Qty | Description Comments | Technical Specification |
|------|-------------|-----|--|------------------------------|
| 1 | 72427157 | 1 | OIL PAN ><12-15,25 --> 380/0461 <> <-- 380/90001 --> 380/90030 <> <> | |
| | 72315057 | 1 | SPLIT WASHER | FWN 65208-16-A3L |
| | 72373939 | 1 | STUD BOLT | DIN 835-M16X185-10.9 |
| | 72313282 | 1 | NUT | DIN 934 M16-10 |
| 2 | 72374149 | 3 | HEXAGONAL HEAD BOLT | DIN 931 M8X110-8.8 |
| 3 | 72311788 | 18 | DISC | DIN 125-8,4-ST.A3L |
| 4 | 72315653 | 7 | HEXAGONAL HEAD BOLT | DIN 933 M8 X 25-8.8A3L |
| 5 | 72315528 | 3 | HEXAGONAL HEAD BOLT | DIN 931 M8X130-8.8 |
| 6 | 72315087 | 3 | SEALING WASHER | DIN 7603 A8X14-CU |
| 7 | 72315525 | 8 | HEXAGONAL HEAD BOLT | DIN 931 M8 X 90-8.8A3L |
| 8 | 72373976 | 1 | SCREW | DIN 910 M22X1,5-ST |
| 9 | 72315101 | 2 | SEALING WASHER | DIN 7603 A22X27-CU |
| 10 | 72324310 | 1 | SEAL | |
| 11 | 72315442 | 1 | PLUG | DIN 908 M22X1,5-ST |
| 12 | 72407981 | 1 | BAFFLE PLATE | |
| 13 | 72315657 | 2 | HEXAGONAL HEAD BOLT | DIN 933 M8 X 30-8.8A3L |
| 14 | 72315086 | 2 | SEALING WASHER | DIN 7603 A8X11,5-CU |
| 15 | 72313268 | 2 | NUT | DIN 934 M8-8A3L |
| 16 | 72315438 | 1 | PLUG SCREW | DIN 908 M14X1,5-ST |
| 17 | 72315094 | 1 | SEALING WASHER | DIN 7603 A14X18-CU |
| 18 | 72363802 | 1 | PIPE BEND | |
| 19 | 72436284 | 1 | HOSE 1X 900MM CUT TO LENGTH | L=1120 FWN65912-19X3-PVC-W-G |
| 20 | 72407980 | 1 | COMPRESSION SPRING | |
| | 72316510 | 2 | COMPRESSION SPRING | |
| | 72316913 | 2 | CABLE STRAP B360X7,5 NOT ILLUSTRATED | FWN 66650 B360X7,5-SW |
| 21 | 72408671 | 1 | DIPSTICK | |
| 22 | 72363801 | 1 | OIL FILLER NECK | |
| 23 | 72376547 | 1 | O-RING | 44,2X3-FPM 70 FWN56402 |
| 24 | 72315679 | 2 | HEXAGONAL HEAD BOLT | DIN 933 M10X20-8.8A3L |
| 25 | 72425410 | 1 | BAFFLE PLATE | |

<https://www.ebooklibonline.com>

Hello dear friend!

Thank you very much for reading.

Enter the link into your browser.

The full manual is available for immediate download.

<https://www.ebooklibonline.com>