

Page Number	Page Title	Page Reference
01-000-TOC	ENGINE, FUEL AND EXHAUST SYSTEM	01-000-TOC
02-000-TOC	AXLES	02-000-TOC
03-000-TOC	STEERING SYSTEM	03-000-TOC
04-000-TOC	DRIVE TRAIN SYSTEM	04-000-TOC
05-000-TOC	COMPRESSED AIR SYSTEM	05-000-TOC
06-000-TOC	HYDRAULIC SYSTEM	06-000-TOC
07-000-TOC	ELECTRICAL SYSTEM	07-000-TOC
08-000-TOC	CAB	08-000-TOC
09-000-TOC	AIR CONDITIONING AND HEATING SYSTEM	09-000-TOC
10-000-TOC	CHASSIS	10-000-TOC
11-000-TOC	WHEELS	11-000-TOC
12-000-TOC	IMPLEMENT LIFT SYSTEM FRONT	12-000-TOC
13-000-TOC	IMPLEMENT LIFT SYSTEM REAR	13-000-TOC
14-000-TOC	FRONT/REAR LOADERS	14-000-TOC
15-000-TOC	ACCESSORIES	15-000-TOC

Item	Part Number	Qty	Description Comments	Technical Specification
			<-- 149/0101 --> 149/0300 <-- 149/1001 --> 149/3000	
1	72417205	1	FUEL TANK >>3-5 --> 149/1560 <> <>	
	72311209	1	THRUST RING	
	72433112	1	STRAINER	60X100-MS
	72313479	1	O-RING	48X4-NBR 70 FWN56402
	72418883	1	REDUCING STUD	
	72313443	1	O-RING	20X3-NBR 70 FWN56402
2	72433112	1	STRAINER	60X100-MS
3	72380143	1	FUEL CAP >>4-5	M.BELUEF
4	72330725	1	SEAL	
5	72330726	1	SEAL	
6			NO LONGER AVAILABLE	
7	72425847	1	FUEL LEVEL SENSOR	
	72425812	1	FUEL LEVEL SENSOR RESERVE TANK	
8	72315169	1	SEALING WASHER	
9	72450972	1	PROTECTIVE SECTION 1X 650 MM CUT TO LENGTH	L=920 FWN 63040 H01
10	72407995	2	BAND CLAMP	
11	72314283	1	BOOST PIPE	
12	72374432	1	HEXAGONAL HEAD BOLT	DIN 933 M8X100-8.8A3L
13	72372785	1	SQUARE NUT	DIN 557 M8-A3L
14	72450972	1	PROTECTIVE SECTION 1X 400 MM CUT TO LENGTH	L=920 FWN 63040 H01
15	72363810	1	BAND CLAMP	
16	72313320	3	NUT	DIN6925-M8-8-A3L
17	72315053	3	SPLIT WASHER	FWN 65208-8-A3L
18	72313320	1	NUT	DIN6925-M8-8-A3L
19	72435830	1	PRESSURE HOSE 1370 MM CUT TO LENGTH	L=2100
20	72438345	6	HOSE CLIP	
21	72380159	1	FUEL SHUT-OFF VALVE	
22	72315093	3	SEALING WASHER	DIN 7603 A12X18-CU
23	72315094	12	SEALING WASHER	DIN 7603 A14X18-CU
24	72377530	1	RING HOSE NIPPLE	FWN65910-A-DN2
25	72323696	1	BANJO BOLT	
26	72315086	3	SEALING WASHER	DIN 7603 A8X11,5-CU
27	72363812	1	FUEL LINE	
28	72450354	1	PRESSURE HOSE 1570 MM CUT TO LENGTH	L=2350
29	72363812	1	FUEL LINE	
30	72316916	2	CABLE STRAP	FWN 66650 B175X4-SW
31	72315808	5	BANJO BOLT	DIN 7643-10-3-A3L
32	72315657	2	HEXAGONAL HEAD BOLT	DIN 933 M8 X 30-8.8A3L
34	72313320	2	NUT	DIN6925-M8-8-A3L
35	72311824	4	DISC	DIN9021-8,4-140HV-A3L
38	72377531	2	RING HOSE NIPPLE	FWN65910-A-DN8
39	72313479	1	O-RING	48X4-NBR 70 FWN56402
40			SEE FUEL FILTER	
42	72418883	1	REDUCING STUD	
43	72311209	1	THRUST RING	
44	72313443	1	O-RING	20X3-NBR 70 FWN56402
46	72424096	1	REDUCING STUD	GRS8-6

<https://www.ebooklibonline.com>

Hello dear friend!

Thank you very much for reading.

Enter the link into your browser.

The full manual is available for immediate download.

<https://www.ebooklibonline.com>

Fendt

GT 380GT (149/00101-99999)

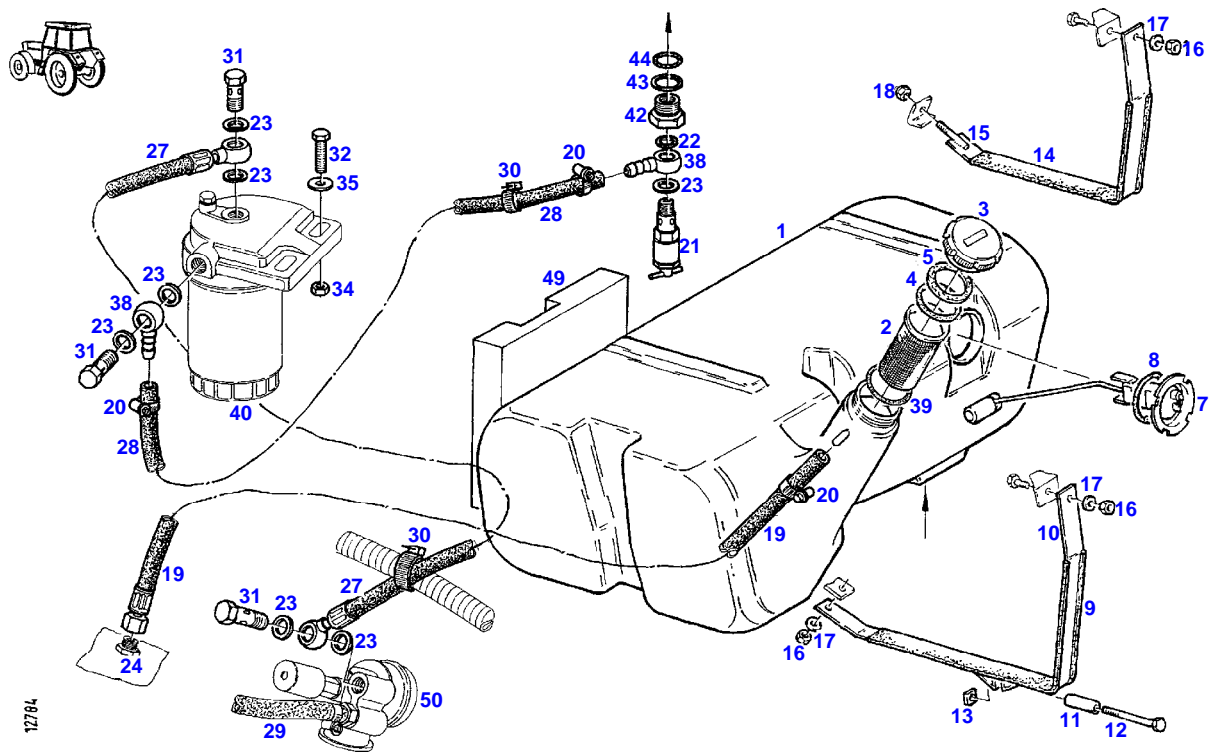
F149000

FUEL SYSTEM

Page01-0008

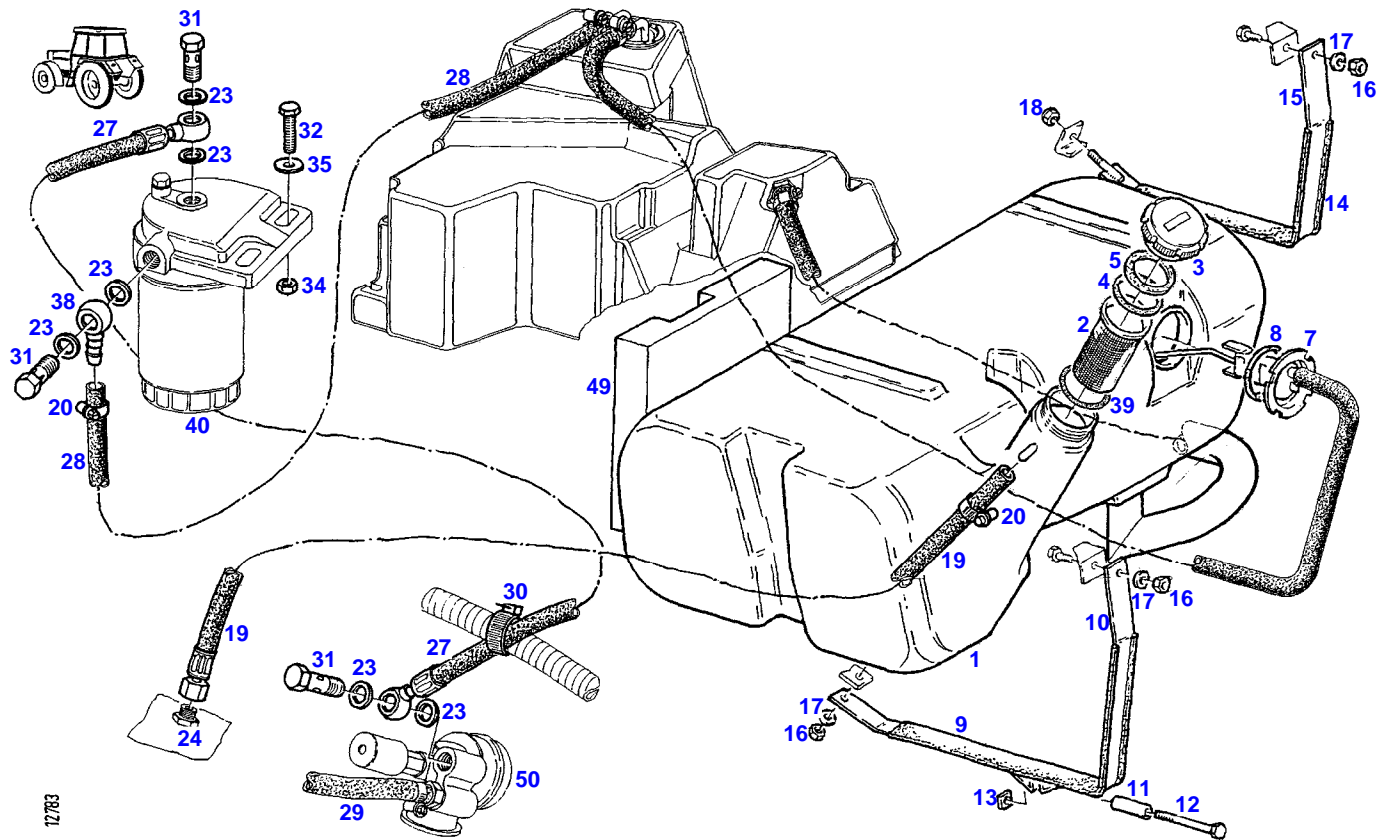
Item	Part Number	Qty	Description Comments	Technical Specification
47	72450353	1	PRESSURE HOSE 80 MM CUT TO LENGTH	L=200
49	72418921	1	LINING	

GT 380GT (149/00101-99999)
12784



Item	Part Number	Qty	Description Comments	Technical Specification
			<-- 149/3001	
1	72417205	1	FUEL TANK ><3-5 <>	
	72313479	1	O-RING	48X4-NBR 70 FWN56402
	72433112	1	STRAINER	60X100-MS
2	72433112	1	STRAINER	60X100-MS
3	72380143	1	FUEL CAP ><4-5	M.BELUEF
4	72330725	1	SEAL	
5	72330726	1	SEAL	
7	72425847	1	FUEL LEVEL SENSOR	
8	72315169	1	SEALING WASHER	
9	72450972	1	PROTECTIVE SECTION 1X 650 MM CUT TO LENGTH	L=920 FWN 63040 H01
10	72407995	2	BAND CLAMP	
11	72314283	1	BOOST PIPE	
12	72374432	1	HEXAGONAL HEAD BOLT	DIN 933 M8X100-8.8A3L
13	72372785	1	SQUARE NUT	DIN 557 M8-A3L
14	72450972	1	PROTECTIVE SECTION 1X 400 MM CUT TO LENGTH	L=920 FWN 63040 H01
15	72363810	1	BAND CLAMP	
16	72313320	3	NUT	DIN6925-M8-8-A3L
17	72315053	3	SPLIT WASHER	FWN 65208-8-A3L
18	72313320	1	NUT	DIN6925-M8-8-A3L
19	72424045	1	RETURN LINE	
20	72438345	3	HOSE CLIP	
21	72380159	1	FUEL SHUT-OFF VALVE	
22	72315093	3	SEALING WASHER	DIN 7603 A12X18-CU
23	72315094	8	SEALING WASHER	DIN 7603 A14X18-CU
24			SEE POMPE A INJECTION	
27	72363812	1	FUEL LINE	
28	72450354	1	PRESSURE HOSE 1750 MM CUT TO LENGTH	L=2350
29			SEE POMPE A INJECTION	
30	72316916	2	CABLE STRAP	FWN 66650 B175X4-SW
31	72315808	3	BANJO BOLT	DIN 7643-10-3-A3L
32	72315657	2	HEXAGONAL HEAD BOLT	DIN 933 M8 X 30-8.8A3L
34	72313320	2	NUT	DIN6925-M8-8-A3L
35	72311824	4	DISC	DIN9021-8,4-140HV-A3L
38	72377531	2	RING HOSE NIPPLE	FWN65910-A-DN8
39	72313479	1	O-RING	48X4-NBR 70 FWN56402
40			SEE FUEL FILTER	
42	72418883	1	REDUCING STUD	
43	72311209	1	THRUST RING	
44	72313443	1	O-RING	20X3-NBR 70 FWN56402
49	72418921	1	LINING	
50			SEE FUEL PUMP	

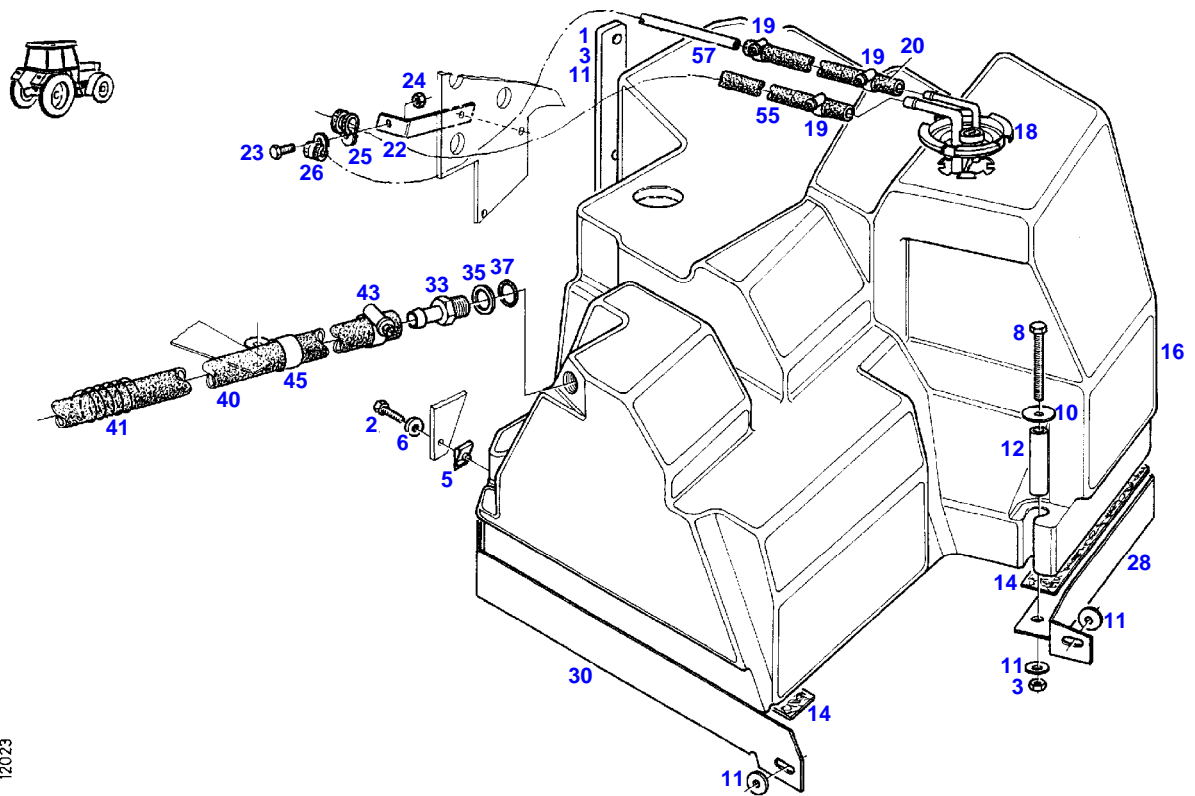
GT 380GT (149/00101-99999)
12783



12783

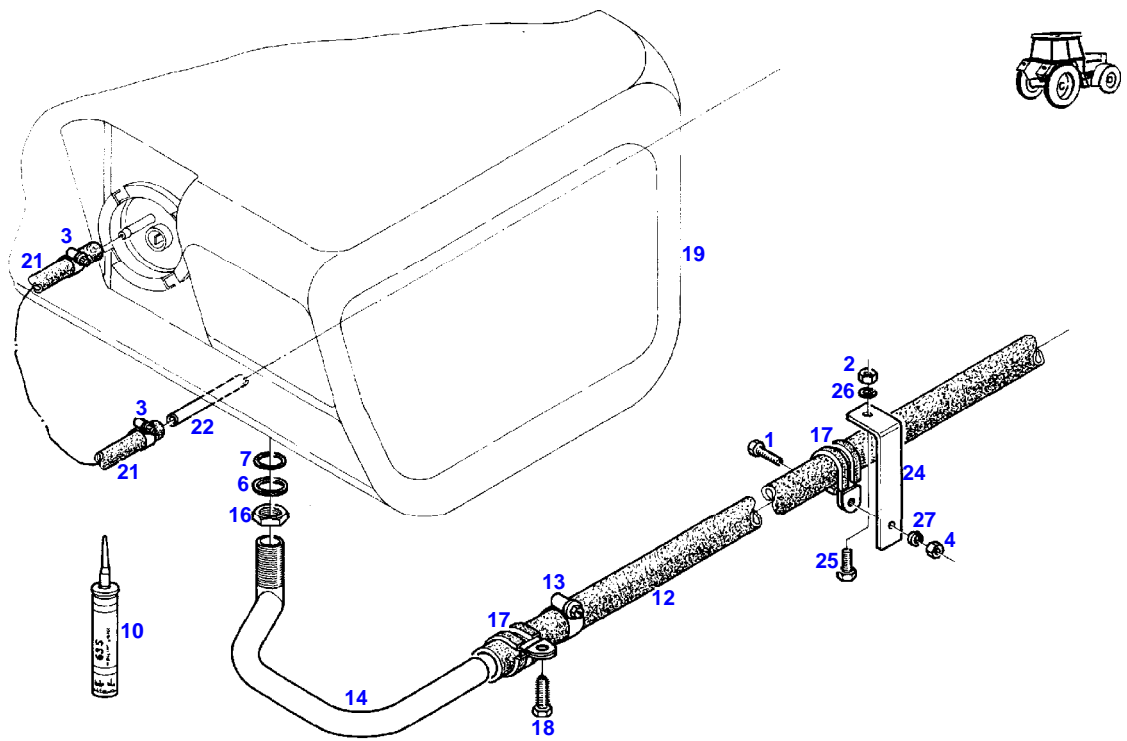
Item	Part Number	Qty	Description Comments	Technical Specification
			RESERVE TANK <-- 149/3001	
1	72417205	1	FUEL TANK ><3-5 <>	
	72313479	1	O-RING	48X4-NBR 70 FWN56402
	72433112	1	STRAINER	60X100-MS
2	72433112	1	STRAINER	60X100-MS
3	72380143	1	FUEL CAP ><4-5	M.BELUEF
4	72330725	1	SEAL	
5	72330726	1	SEAL	
7	72425812	1	FUEL LEVEL SENSOR	
8	72315169	1	SEALING WASHER	
9	72450972	1	PROTECTIVE SECTION 1X 650 MM CUT TO LENGTH	L=920 FWN 63040 H01
10	72407995	2	BAND CLAMP	
11	72314283	1	BOOST PIPE	
12	72374432	1	HEXAGONAL HEAD BOLT	DIN 933 M8X100-8.8A3L
13	72372785	1	SQUARE NUT	DIN 557 M8-A3L
14	72450972	1	PROTECTIVE SECTION 1X 400 MM CUT TO LENGTH	L=920 FWN 63040 H01
15	72363810	1	BAND CLAMP	
16	72313320	3	NUT	DIN6925-M8-8-A3L
17	72315053	3	SPLIT WASHER	FWN 65208-8-A3L
18	72313320	1	NUT	DIN6925-M8-8-A3L
19	72424045	1	RETURN LINE	
20	72438345	2	HOSE CLIP	
23	72315094	6	SEALING WASHER	DIN 7603 A14X18-CU
24			SEE POMPE A INJECTION	
27	72363812	1	FUEL LINE	
28			REFER ADD. TANK	
29			SEE POMPE A INJECTION	
30	72316916	2	CABLE STRAP	FWN 66650 B175X4-SW
31	72315808	3	BANJO BOLT	DIN 7643-10-3-A3L
32	72315657	2	HEXAGONAL HEAD BOLT	DIN 933 M8 X 30-8.8A3L
34	72313320	2	NUT	DIN6925-M8-8-A3L
35	72311824	4	DISC	DIN9021-8,4-140HV-A3L
38	72377531	1	RING HOSE NIPPLE	FWN65910-A-DN8
39	72313479	1	O-RING	48X4-NBR 70 FWN56402
40			SEE FUEL FILTER	
49	72418921	1	LINING	
50			SEE FUEL PUMP	

GT 380GT (149/00101-99999)
12023



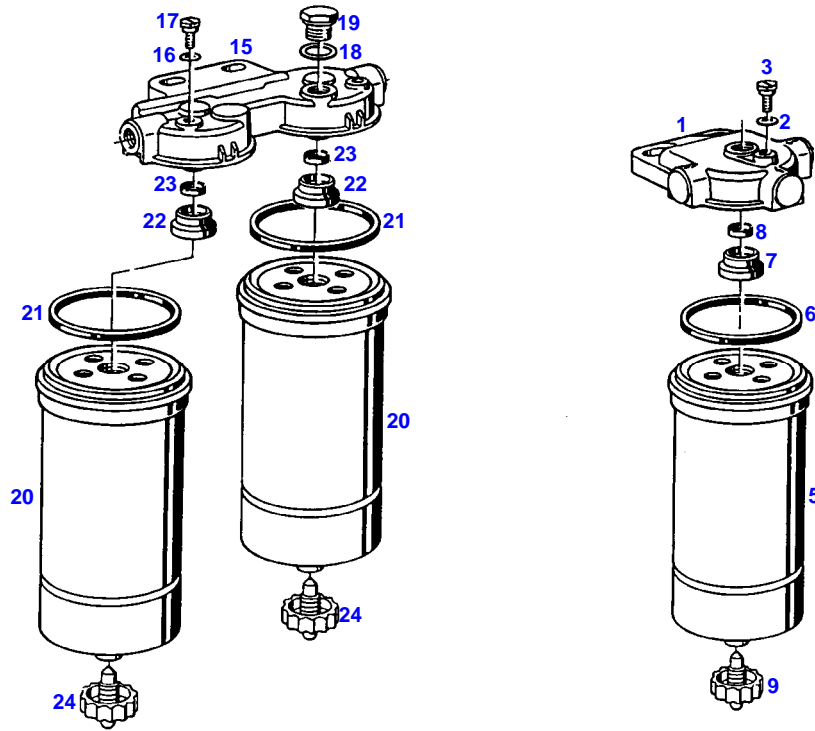
12023

Item	Part Number	Qty	Description Comments	Technical Specification
1	72418914	1	RETAINER	
2	72315631	1	HEXAGONAL HEAD BOLT	DIN 933 M6 X 20-8.8A3L
3	72313320	3	NUT	DIN6925-M8-8-A3L
5	72373045	1	SPEED NUT	M6 ZN PASS
6	72311822	1	DISC	DIN9021-6,4-140HV-A3L
8	72315672	3	HEXAGONAL HEAD BOLT	DIN 933 M8X70-8.8A3L
10	72311888	3	DISC	
11	72311824	6	DISC	DIN9021-8,4-140HV-A3L
12	72410535	3	BUSH	
14	72418915	2	FELT STRIP	
16	72417511	1	RESERVE TANK	
18	72425848	1	FUEL LEVEL SENSOR	
19	72438345	3	HOSE CLIP	
20	72450303	1	PRESSURE HOSE 150 MM CUT TO LENGTH	L=1000
22	72418918	1	RETAINER	
23	72315626	3	HEXAGONAL HEAD BOLT	DIN 933-M6 X 16-8.8-A3L
24	72313266	3	NUT	DIN 934 M6-8A3L
25	72311243	3	PIPE CLAMP	
26	72311246	1	PIPE CLAMP	
28	72417512	1	BRACKET	
30	72418916	1	BRACKET	
33	72396595	1	HOSE BARB	
35	72311209	1	THRUST RING	
37	72313443	1	O-RING	20X3-NBR 70 FWN56402
40			SEE FUEL-LINES RESERVE TANK	
41	72418920	1	COMPRESSION SPRING	
43	72311167	1	HOSE CLIP	
45	72431793	1	PIPE CLAMP	
55	72450354	1	PRESSURE HOSE 1350 MM CUT TO LENGTH <-- 149/0101 --> 149/0300 <-- 149/1001 --> 149/3000	L=2350
	72450303	1	PRESSURE HOSE 700 MM CUT TO LENGTH <-- 149/3001	L=1000
57			SEE FUEL-LINES RESERVE TANK	



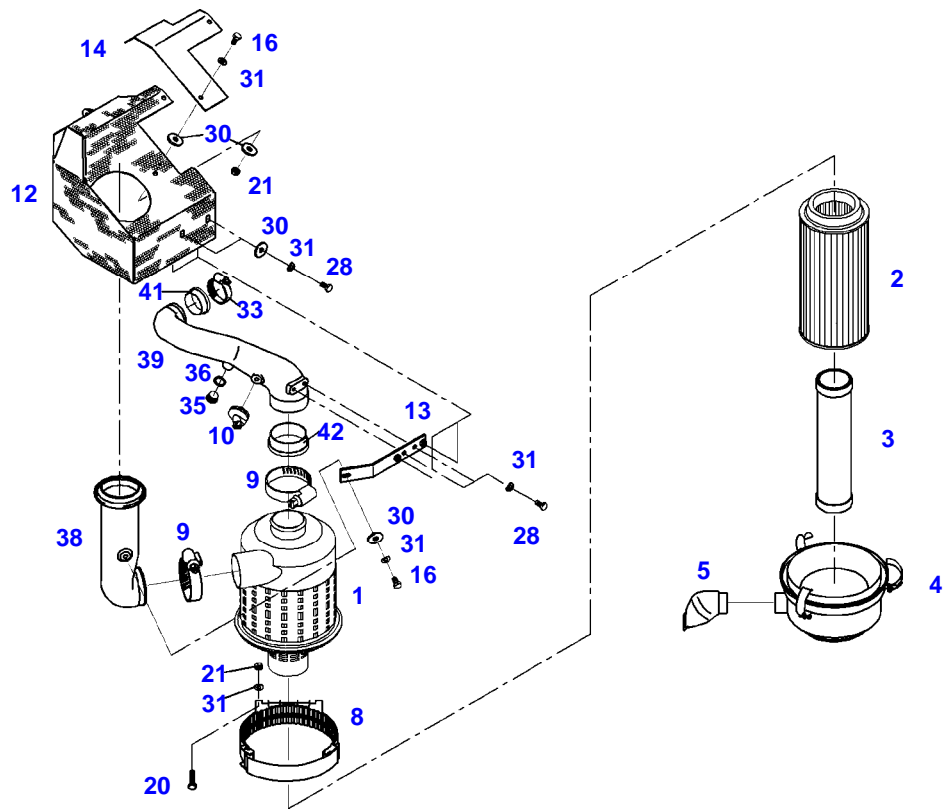
12024

Item	Part Number	Qty	Description Comments	Technical Specification
RESERVE TANK				
1	72315631	1	HEXAGONAL HEAD BOLT	DIN 933 M6 X 20-8.8A3L
2	72313320	1	NUT	DIN6925-M8-8-A3L
3	72438345	2	HOSE CLIP	
4	72313266	1	NUT	DIN 934 M6-8A3L
6	72311209	1	THRUST RING	
7	72313443	1	O-RING	20X3-NBR 70 FWN56402
10	72311273	X	SEALING COMPOUND	TEROST-63S
12	72450425	1	PRESSURE HOSE 900 MM CUT TO LENGTH	L=1000
13	72311167	1	HOSE CLIP	
14	72420058	1	PIPE BEND	
16	72313349	1	NUT	DIN80705-M22X1,5-11H-A3L
17	72373546	2	PIPE CLAMP	
18	72374976	1	SCREW	DIN7976-ST8X32-C-VZK
19				
21	72450303	1	SEE FUEL TANK PRESSURE HOSE 320 MM CUT TO LENGTH	L=1000
22	72418917	1	PIPE	
24	72426498	1	RETAINER	
25	72315650	1	HEXAGONAL HEAD BOLT	DIN 933 M8 X 20-8.8A3L
26	72315053	1	SPLIT WASHER	FWN 65208-8-A3L
27	72315052	1	SPLIT WASHER	FWN 65208-6-A3L



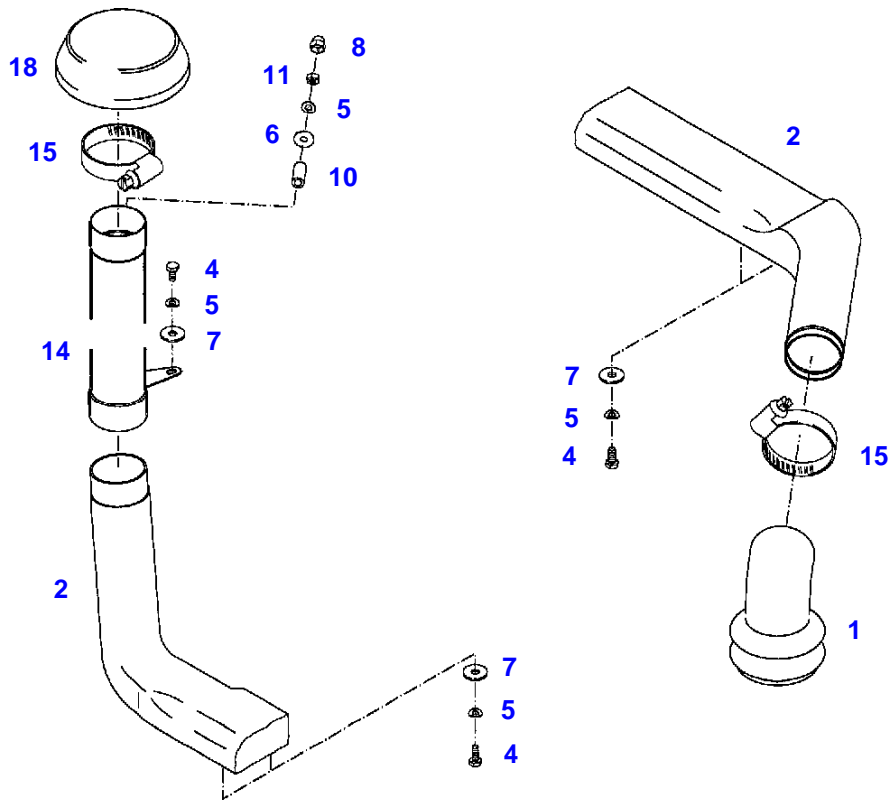
8336

Item	Part Number	Qty	Description Comments	Technical Specification
1	72350004	1	FILTER ><2-9	
2	72315084	1	SEALING WASHER	DIN 7603 A6X10-CU
3	72323290	1	BLEED SCREW	
5	72416928	1	FILTER BOX ><6-9	
6	72314995	1	RUBBER RING	
7				
			NOT AVAILABLE IN SINGLE PARTS	
8				
			NOT AVAILABLE IN SINGLE PARTS	
9	72380174	1	SCREW	
15	72380173	1	PARALLEL FILTER BOSCH ><16-24 <-- X810.190.166.000 1X <>	
	72416928	2	FILTER BOX	
	72451307	1	COVER KNECHT ><16,17 <>	PARALLELFILT.
	72416928	2	FILTER BOX	
16	72315084	1	SEALING WASHER BOSCH	DIN 7603 A6X10-CU
	72314699	2	BLEED SCREW KNECHT	
17	72323290	1	BLEED SCREW BOSCH	
	72315086	2	SEALING WASHER KNECHT	DIN 7603 A8X11,5-CU
18	72315094	1	SEALING WASHER BOSCH	DIN 7603 A14X18-CU
19	72326250	1	SCREW BOSCH	
20	72416928	2	FILTER BOX ><21-24	
21	72314995	2	RUBBER RING	
22				
			NOT AVAILABLE IN SINGLE PARTS	
23				
			NOT AVAILABLE IN SINGLE PARTS	
24	72380174	2	SCREW	



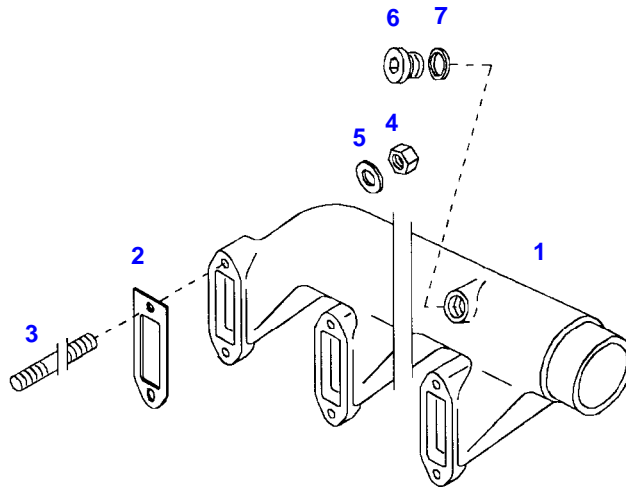
033213

Item	Part Number	Qty	Description Comments	Technical Specification
1	72414980	1	AIR FILTER ><2-8	
2	72317652	1	FILTER CARTRIDGE	
3	72317653	1	SAFETY CARTRIDGE	
4	72415922	1	COVER	
5	72317656	1	DUST DISCHARGE VALVE	
8	72347459	1	RETAINER	
9	72311172	2	HOSE CLIP	
10			SEE ELECTRICAL SYSTEM SWITCH	
12	72425191	1	COVER	
13	72317771	1	ANGLE	
14	72418922	1	SHEET METAL	
16	72315642	4	HEXAGONAL HEAD BOLT	DIN 933 M8 X 16-8.8A3L
20	72315660	2	HEXAGONAL HEAD BOLT	DIN 933 M8X35-8.8A3L
21	72313269	5	NUT	DIN 934 M8-8C2A
28	72315645	4	HEXAGONAL HEAD BOLT	DIN 933 M8 X 12-8.8A3L
30	72311822	9	DISC	DIN9021-6,4-140HV-A3L
31	72317120	10	SPRING WASHER	DIN 137 B6-MECH.VZK
33	72311170	1	HOSE CLIP	
35	72317613	1	SCREW NOT NEEDED WITH AIR BRAKE	
	72381402	X	SEALING COMPOUND	SERDON
36	72315101	1	SEALING WASHER NOT NEEDED WITH AIR BRAKE	DIN 7603 A22X27-CU
38	72414810	1	INTAKE MANIFOLD	
39	72425820	1	AIR INTAKE HOSE <-- 149/0101 --> 149/0300 <> <-- 149/1001 --> 149/3170 <> <>	
	72425822	1	SEALING RING	
	72425821	1	SEALING RING	
41	72425821	1	SEALING RING <-- 149/3171	
42	72425822	1	SEALING RING <-- 149/3171	



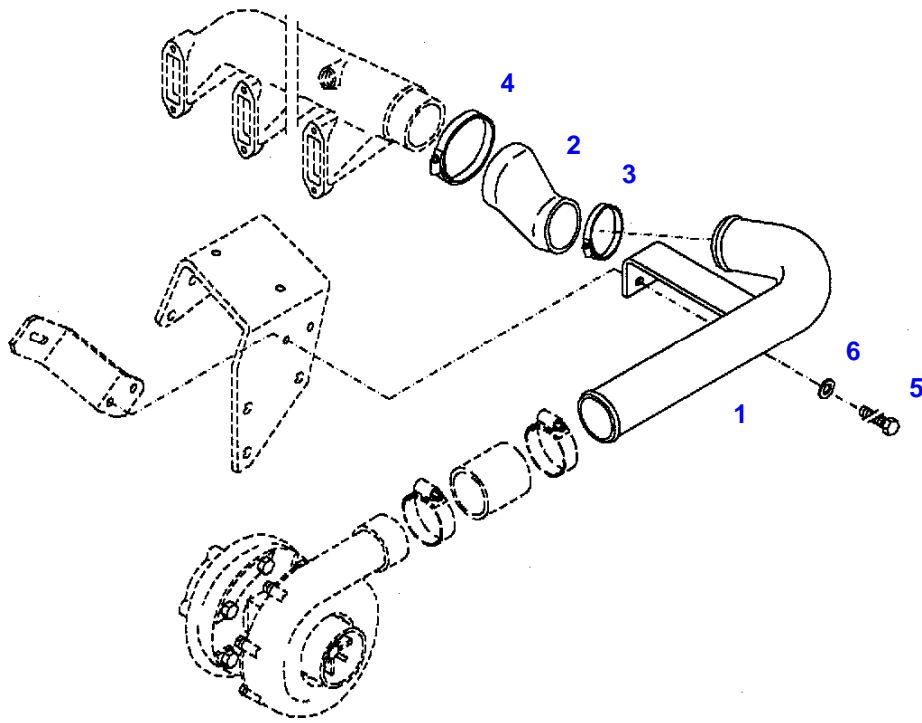
031704

Item	Part Number	Qty	Description Comments	Technical Specification
1	72410234	1	BELLOWS	
2	72414809	1	INTAKE MANIFOLD	
4	72315642	5	HEXAGONAL HEAD BOLT	DIN 933 M8 X 16-8.8A3L
5	72317121	6	SPRING WASHER	DIN 137 B8-MECH.VZK
6	72311894	1	DISC	
7	72311823	5	DISC	DIN9021-8,4-140HV-0B1-SW
8	72310930	1	HEX HEAD PROTECTIVE CAP	SW
10	72316963	1	SPACER TUBE	
11	72313269	1	NUT	DIN 934 M8-8C2A
14	72354429	1	INTAKE MANIFOLD	
15	72311172	2	HOSE CLIP	
18	72348784	1	RAIN CAP	



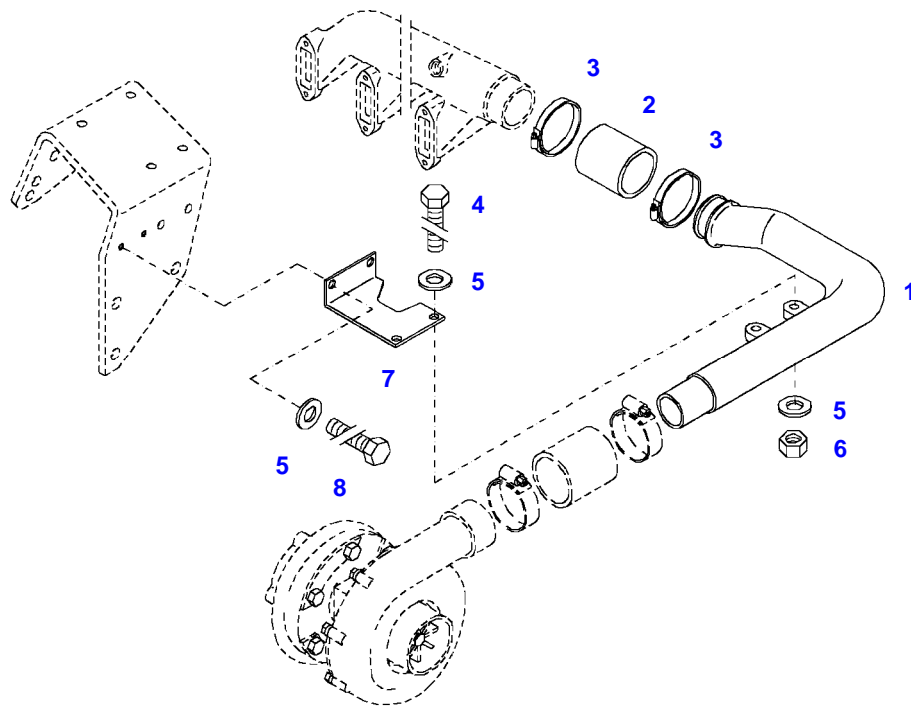
040080

Item	Part Number	Qty	Description Comments	Technical Specification
1	72323819	1	SUCTION PIPE	
2	72431538	4	SEAL REPLACE ALL SEALS	
3	72418369	8	STUD BOLT	DIN 835-M8 SN4X35-10.9
4	72313268	8	NUT	DIN 934 M8-8A3L
5	72311788	8	DISC	DIN 125-8,4-ST.A3L
6	72315441	1	SCREW	DIN 908 M20X1,5-ST
7	72376031	1	SEALING WASHER	DIN 7603 A20X24-CU



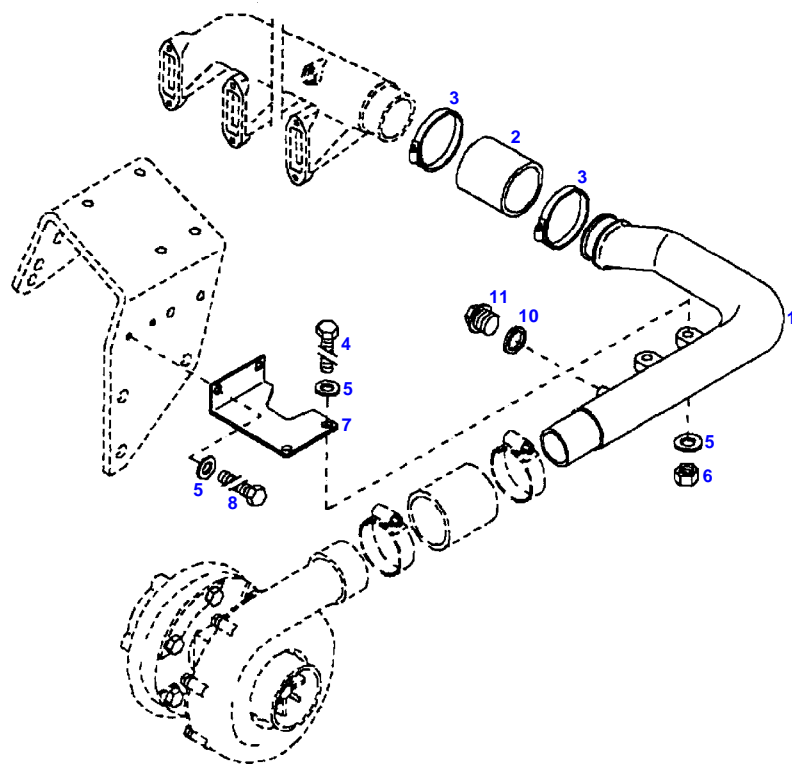
040147

Item	Part Number	Qty	Description Comments	Technical Specification
			ENGINE NUMBER --> 08548985	
1	72415993	1	LOAD AIR LINE <-- F149.200.090.180 1X <>	
	72313268	2	NUT	DIN 934 M8-8A3L
	72315650	2	HEXAGONAL HEAD BOLT	DIN 933 M8 X 20-8.8A3L
	72416010	1	THIMBLE	
	72315662	2	HEXAGONAL HEAD BOLT	DIN 933 M8X40-8.8
	72373528	2	HOSE CLIP	
	72431452	1	RETAINER	
2	72415994	1	LOAD AIR LINE <-- F149.200.090.190 <>	
	72315662	2	HEXAGONAL HEAD BOLT	DIN 933 M8X40-8.8
	72374942	1	PLUG	DIN 7604 CM10X1-ST
	72424352	1	LOAD AIR LINE	
	72315650	2	HEXAGONAL HEAD BOLT	DIN 933 M8 X 20-8.8A3L
	72373528	2	HOSE CLIP	
	72315089	1	SEALING WASHER	DIN 7603 A10X16-CU
	72311788	6	DISC	DIN 125-8,4-ST.A3L
	72431452	1	RETAINER	
	72313268	2	NUT	DIN 934 M8-8A3L
3	72311170	1	HOSE CLIP	
4	72311171	1	HOSE CLIP	
5	72315657	2	HEXAGONAL HEAD BOLT	DIN 933 M8 X 30-8.8A3L
6	72311788	2	DISC	DIN 125-8,4-ST.A3L



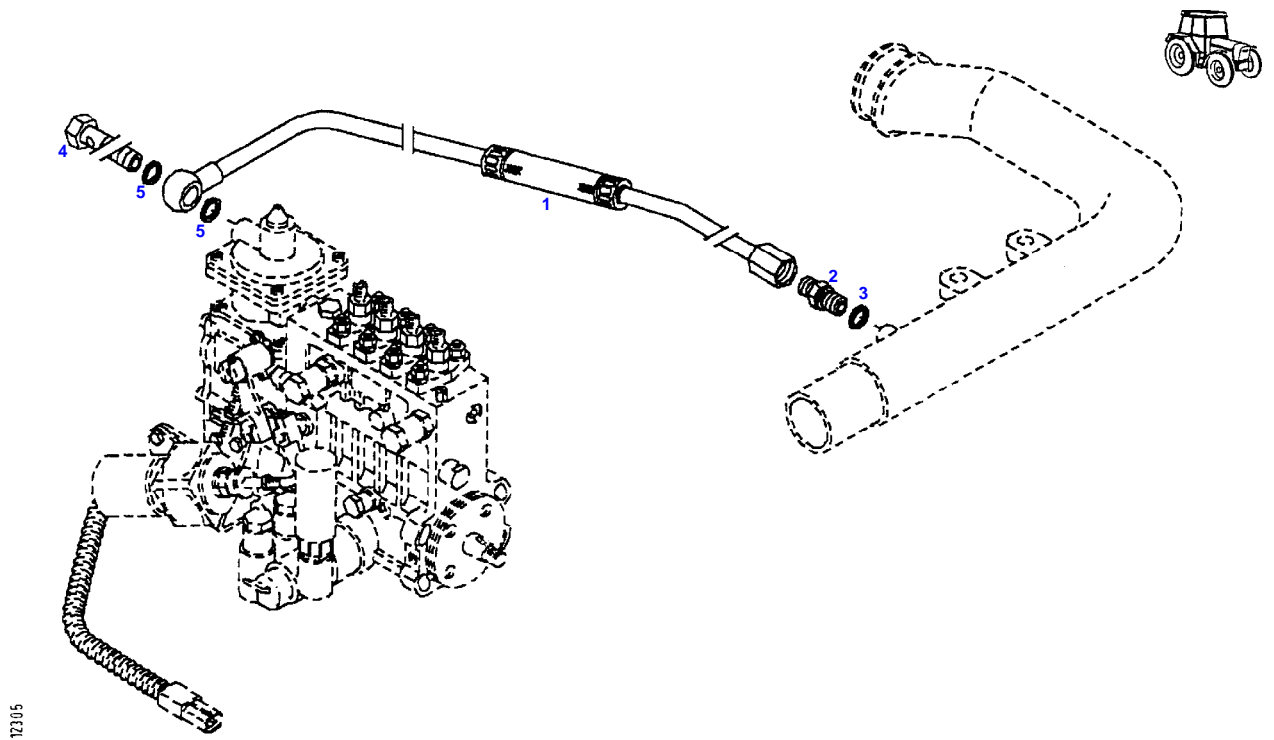
040426

Item	Part Number	Qty	Description Comments	Technical Specification
			ENGINE NUMBER <-- 08548986 --> 08606239 <-- 08606241 --> 08626626	
1	72416009	1	LOAD AIR LINE <-- F149.200.090.210 <>	
	72315089	1	SEALING WASHER	DIN 7603 A10X16-CU
	72374942	1	PLUG	DIN 7604 CM10X1-ST
2	72416010	1	THIMBLE	
3	72373528	2	HOSE CLIP	
4	72315662	2	HEXAGONAL HEAD BOLT	DIN 933 M8X40-8.8
5	72311788	6	DISC	DIN 125-8,4-ST.A3L
6	72313268	2	NUT	DIN 934 M8-8A3L
7	72431452	1	RETAINER	
8	72315650	2	HEXAGONAL HEAD BOLT	DIN 933 M8 X 20-8.8A3L

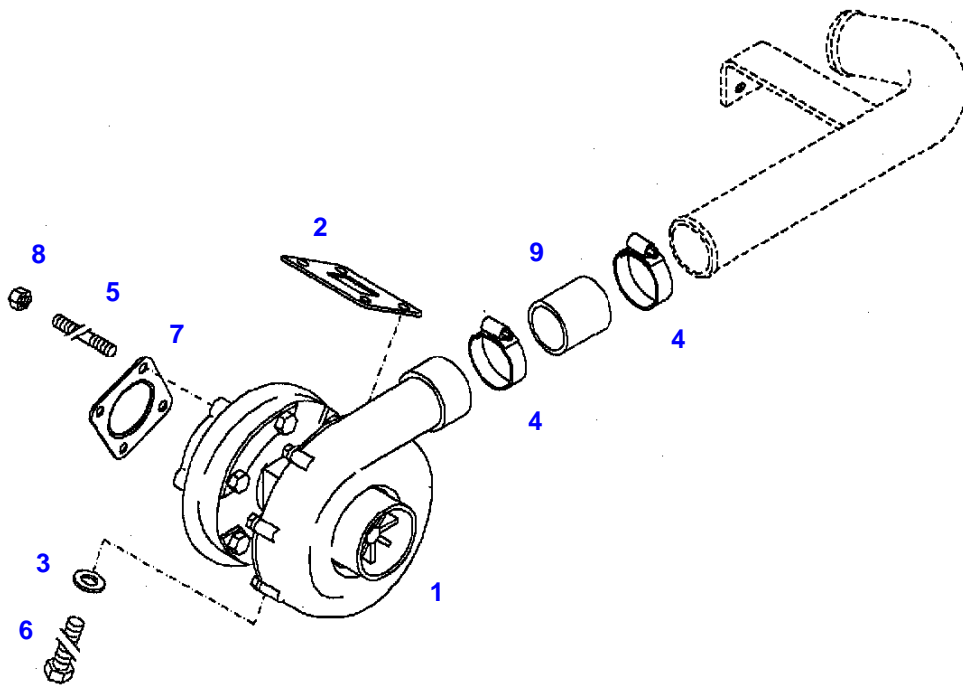


12376

Item	Part Number	Qty	Description Comments	Technical Specification
			ENGINE NUMBER <-- 08606240 --> 08606240 <-- 08626627	
1	72424352	1	LOAD AIR LINE	
2	72416010	1	THIMBLE	
3	72373528	2	HOSE CLIP	
4	72315662	2	HEXAGONAL HEAD BOLT	DIN 933 M8X40-8.8
5	72311788	6	DISC	DIN 125-8,4-ST.A3L
6	72313268	2	NUT	DIN 934 M8-8A3L
7	72431452	1	RETAINER	
8	72315650	2	HEXAGONAL HEAD BOLT	DIN 933 M8 X 20-8.8A3L
10	72315089	1	SEALING WASHER ENG.NO. <-- 08626940 --> 08626940	DIN 7603 A10X16-CU
11	72374942	1	PLUG ENG.NO. <-- 08626940 --> 08626940	DIN 7604 CM10X1-ST

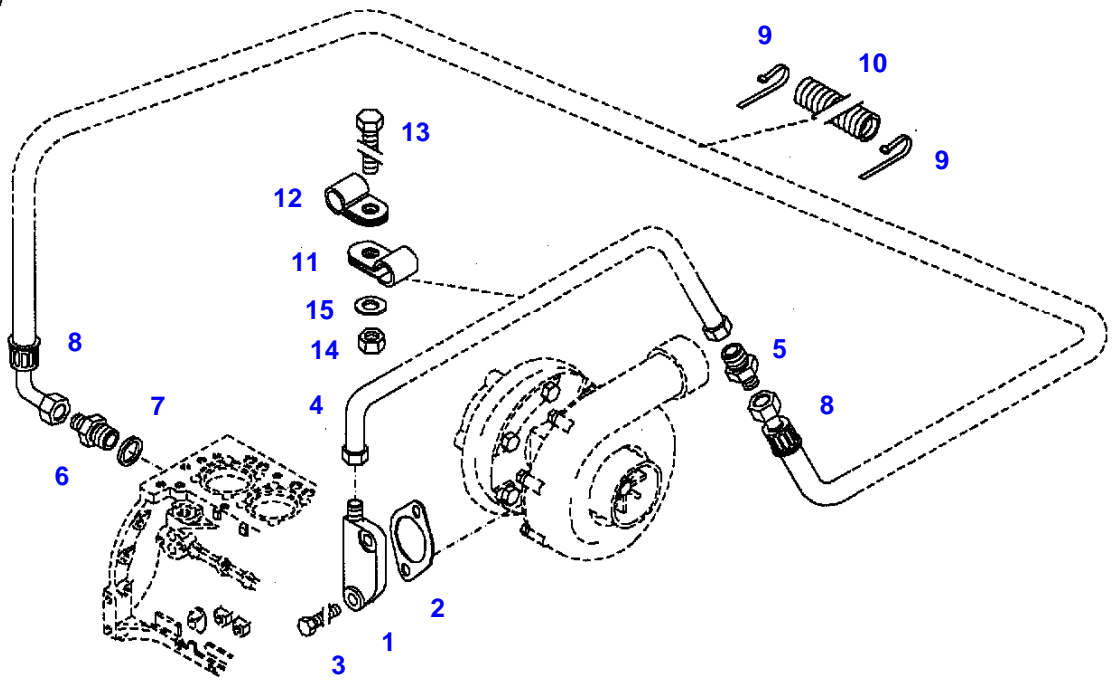


Item	Part Number	Qty	Description Comments	Technical Specification
			<-- 149/3001	
1	72431453	1	TUBING	
2	72325478	1	NOZZLE	
3	72315088	1	SEALING WASHER	DIN 7603 A10X13,5-CU
4	72424353	1	BANJO BOLT ENG.NO.	
	72323516	1	--> 08639748 BANJO BOLT ENG.NO.	
			<-- 08639749	
5	72418441	2	SEALING WASHER	DIN 7603 A10X14-CU



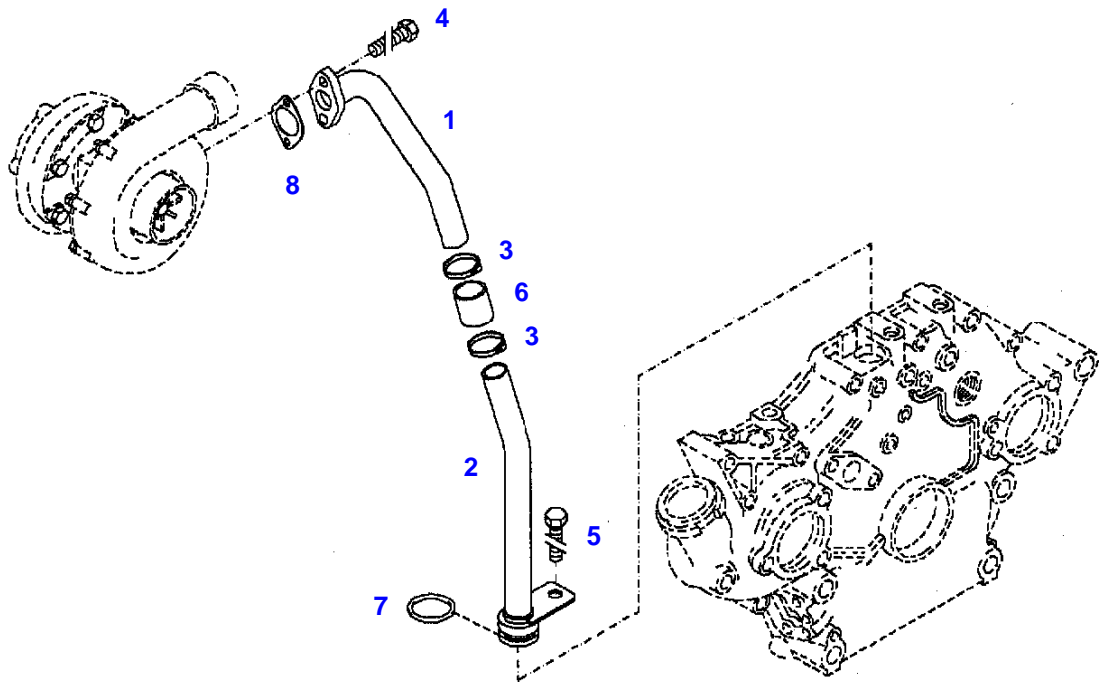
040148

Item	Part Number	Qty	Description	Comments
1	72415992	1	EXHAUST TURBOCHARGER	
2	72416455	1	SEAL	
3	72416017	4	DISC	
4	72311163	2	HOSE CLIP	
5				
6	72451193	4	HEXAGONAL HEAD BOLT	SEE EXHAUST
7	72318113	1	SCREWS-TO BE USED ONCE ONLY	
8				
9	72342966	1	HOSE PIECE	SEE EXHAUST



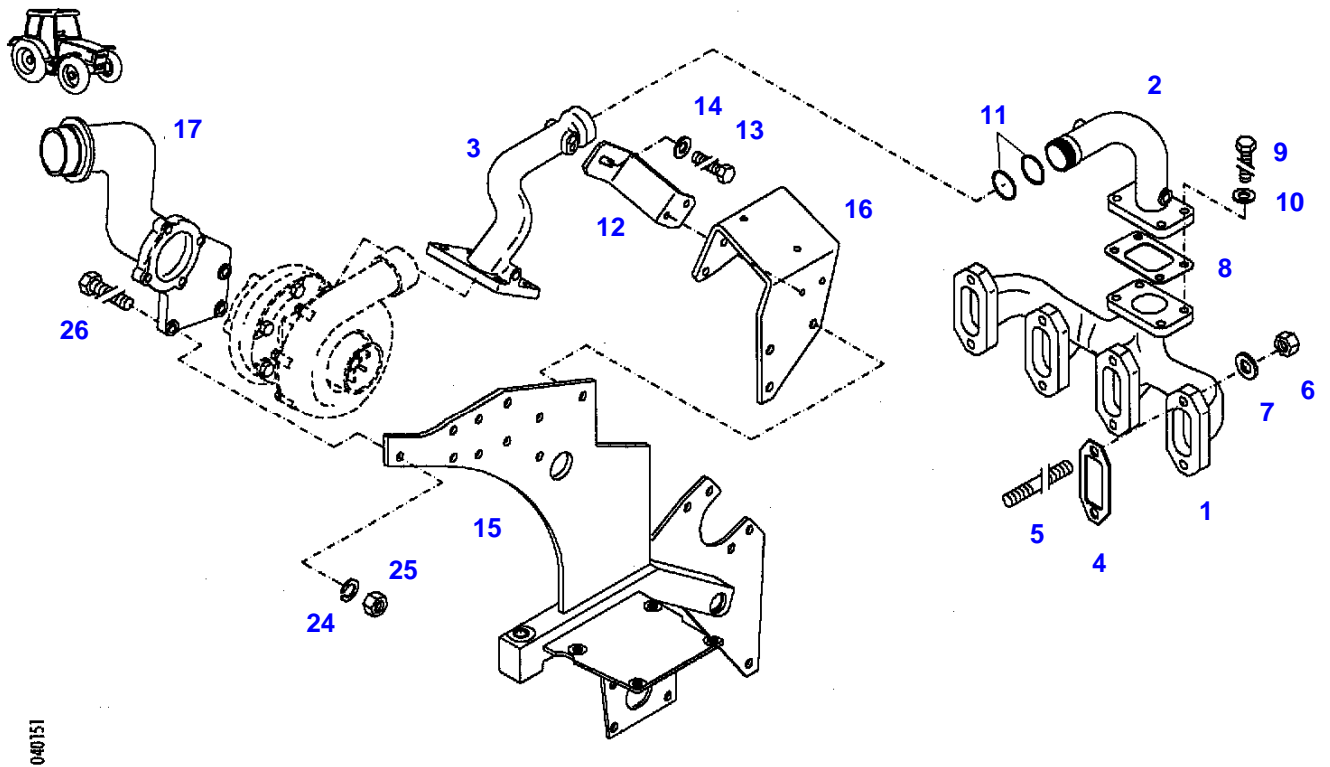
040149

Item	Part Number	Qty	Description Comments	Technical Specification
LUBE OIL LINE				
1	72415995	1	FLANGE	
2	72415996	1	SEAL	
3	72315662	2	HEXAGONAL HEAD BOLT	DIN 933 M8X40-8.8
4	72415997	1	TUBING	
5	72415998	1	NOZZLE	
6	72415999	1	NOZZLE	
7	72315088	1	SEALING WASHER	DIN 7603 A10X13,5-CU
8	72416000	1	HOSE LINE	
9	72416001	2	RETAINING STRAP	
10	72416002	1	CORRUGATED PIPE 1250 MM	
11	72416003	1	PIPE CLAMP	
12	72325299	1	PIPE CLAMP	
13	72315634	1	HEXAGONAL HEAD BOLT	DIN 933 M6X30-8.8A3L
14	72313266	1	NUT	DIN 934 M6-8A3L
15	72311787	1	DISC	DIN 125-6,4-ST.A3L



040150

Item	Part Number	Qty	Description Comments	Technical Specification
RETURN LINE				
1	72416006	1	TUBING	
2	72416007	1	TUBING	
3	72373534	2	HOSE CLIP	
4	72315650	2	HEXAGONAL HEAD BOLT	DIN 933 M8 X 20-8.8A3L
5	72315646	1	HEXAGONAL HEAD BOLT	DIN 933 M8X18-8.8A3L
6	72416004	1	RUBBER HOSE	
7	72416005	1	SEAL 24X3MM	
8	72416008	1	SEAL	



0-40151



Suggest:

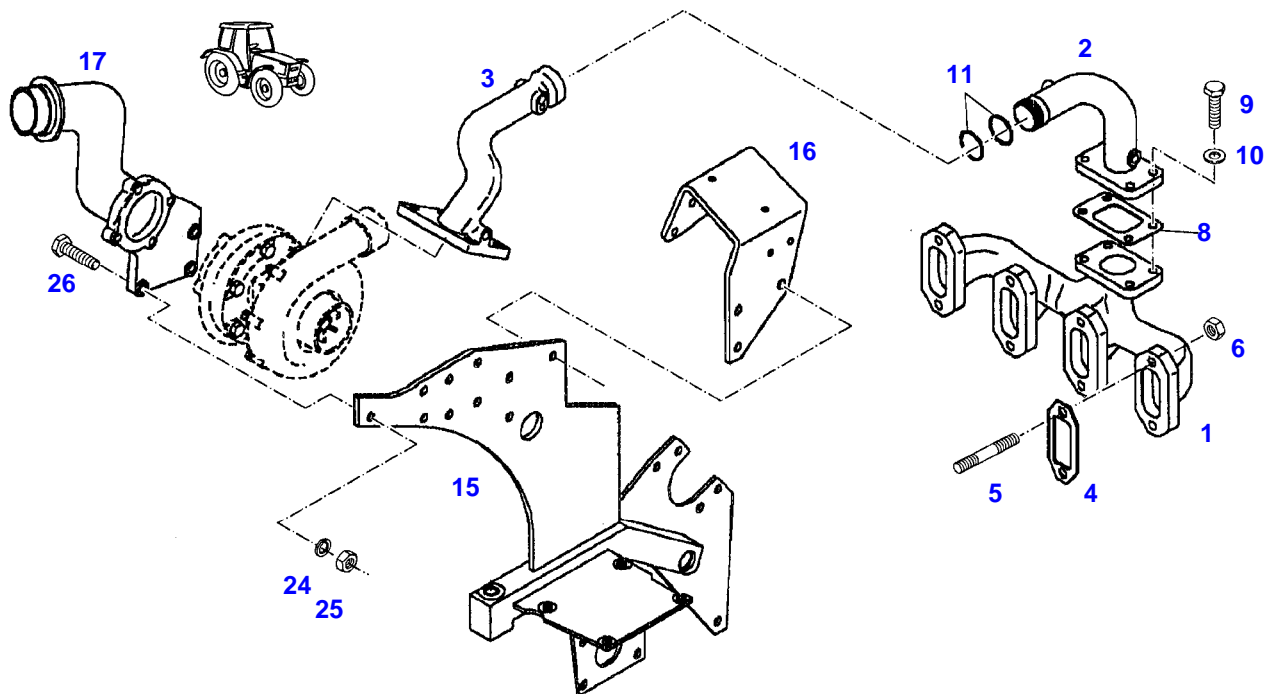
For more complete manuals. Please go to the home page.

<https://www.ebooklibonline.com>

If the above button click is invalid. Please download this document first, and then click the above link to download the complete manual.

Thank you so much for reading

Item	Part Number	Qty	Description Comments	Technical Specification
			ENGINE NUMBER --> 08540337	
1	72416011	1	EXHAUST COLLECTING PIPE	
2	72416012	1	EXHAUST PIPE	
3	72416024	1	EXHAUST PIPE	
4	72431541	4	SEAL REPLACE ALL SEALS	
5	72416014	8	STUD BOLT	
6	72416015	8	NUT	
7	72311788	8	DISC	DIN 125-8,4-ST.A3L
8	72416455	1	SEAL	
9	72451193	4	HEXAGONAL HEAD BOLT SCREWS-TO BE USED ONCE ONLY	
10	72416017	4	DISC	
11	72416018	2	SEALING WASHER	
12	72416019	1	RETAINER	
13	72315642	1	HEXAGONAL HEAD BOLT	DIN 933 M8 X 16-8.8A3L
14	72311788	1	DISC	DIN 125-8,4-ST.A3L
15			REFER FRAME SUPPORT	
16			SEE DOOR	
17			SEE EXHAUST	
24			SEE EXHAUST	
25			SEE EXHAUST	
26			SEE EXHAUST	



031894

<https://www.ebooklibonline.com>

Hello dear friend!

Thank you very much for reading.

Enter the link into your browser.

The full manual is available for immediate download.

<https://www.ebooklibonline.com>