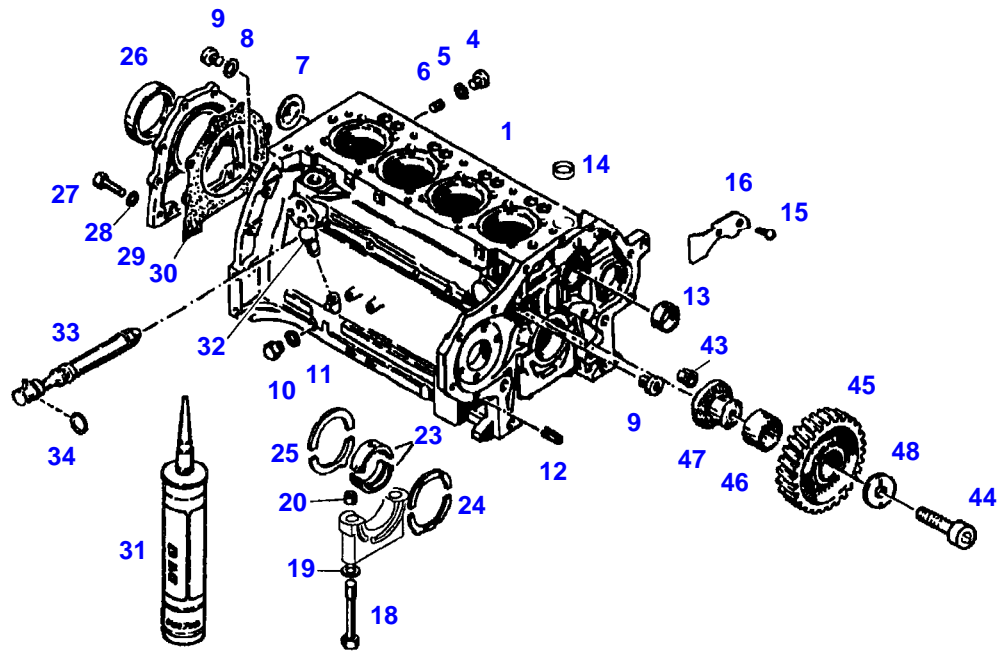


Page Number	Page Title	Page Reference
01-000-TOC	ENGINE, FUEL AND EXHAUST SYSTEM	01-000-TOC
02-000-TOC	AXLES	02-000-TOC
03-000-TOC	STEERING SYSTEM	03-000-TOC
04-000-TOC	DRIVE TRAIN SYSTEM	04-000-TOC
05-000-TOC	COMPRESSED AIR SYSTEM	05-000-TOC
06-000-TOC	HYDRAULIC SYSTEM	06-000-TOC
07-000-TOC	ELECTRICAL SYSTEM	07-000-TOC
08-000-TOC	CAB	08-000-TOC
09-000-TOC	CHASSIS	09-000-TOC
10-000-TOC	WHEELS	10-000-TOC
11-000-TOC	IMPLEMENT LIFT SYSTEM FRONT	11-000-TOC
12-000-TOC	IMPLEMENT LIFT SYSTEM REAR	12-000-TOC
13-000-TOC	FRONT/REAR LOADERS	13-000-TOC
14-000-TOC	ATTACHMENTS	14-000-TOC
15-000-TOC	ACCESSORIES	15-000-TOC



031074

Item	Part Number	Qty	Description Comments	Technical Specification
	72438553	1	DIESEL ENGINE	
1	72335418	1	CRANKCASE ><1-21	
	72324250	1	SEAL KIT	
4	72427167	5	SCREW	DIN 908 M12 X 1,5-ST-A3
5	72315090	5	SEALING WASHER	DIN 7603 A12X15,5-CU
6	72323675	5	SLOTTED PLUG	
7	72323690	1	LOCKING DISC	
8	72376031	1	SEALING WASHER	DIN 7603 A20X24-CU
9	72323672	2	SCREW	
10	72374942	1	PLUG	DIN 7604 CM10X1-ST
11	72315088	1	SEALING WASHER	DIN 7603 A10X13,5-CU
12	72323573	2	TENSIONER BUSHING	
13	72344344	1	BUSH	
14	72323653	1	CORE HOLE PLUG	
15	72372707	2	SLOTTED PIN	DIN 1476-6X10-ST
16	72344345	1	BAFFLE	
18	72344343	10	HEXAGONAL HEAD BOLT	
19	72323682	10	DISC	
20	72344342	10	ADAPTER BUSH	
23	72324293	5	CRANKSHAFT BEARING 70,00 MM	
	72415975	5	CRANKSHAFT BEARING 69,75 MM	
	72415976	5	CRANKSHAFT BEARING 69,50 MM	
24	72317654	1	THRUST RING 3,00 MM	
	72323984	1	THRUST RING FOR STEEL CRANKSHAFT 3,25 MM	
	72425121	1	THRUST RING FOR CAST STEEL CRANKSHAFT 3,14 MM	
	72323985	1	THRUST RING FOR STEEL CRANKSHAFT 3,50 MM	
25	72425118	1	THRUST RING 2,94 MM	
	72323990	1	THRUST RING FOR STEEL CRANKSHAFT 3,25 MM	
	72496405	1	THRUST RING FOR CAST STEEL CRANKSHAFT 3,14 MM	3,14MM
	72323991	1	THRUST RING FOR STEEL CRANKSHAFT 3,50 MM	
26	72425119	1	SHAFT SEAL	
27	72315650	8	HEXAGONAL HEAD BOLT	DIN 933 M8 X 20-8.8A3L
28	72311788	8	DISC	DIN 125-8,4-ST.A3L
29	72324099	1	COVER	
30	72324291	1	SEAL /31	
31	72311273	1	SEALING COMPOUND /30	TEROST-63S
32	72324312	1	BOLT	
33	72420361	1	SPRAY NOZZLE ><34	
34	72375468	1	SPLIT WASHER	DIN 7980-8-A3L
43	72344346	1	TENSIONER BUSHING	
44	72324090	1	SOCKET HEAD BOLT	
45	72324456	1	GEAR WHEEL	
46	72324455	1	BUSH	
47	72344347	1	PIVOT	
48	72324457	1	DISC	

<https://www.ebooklibonline.com>

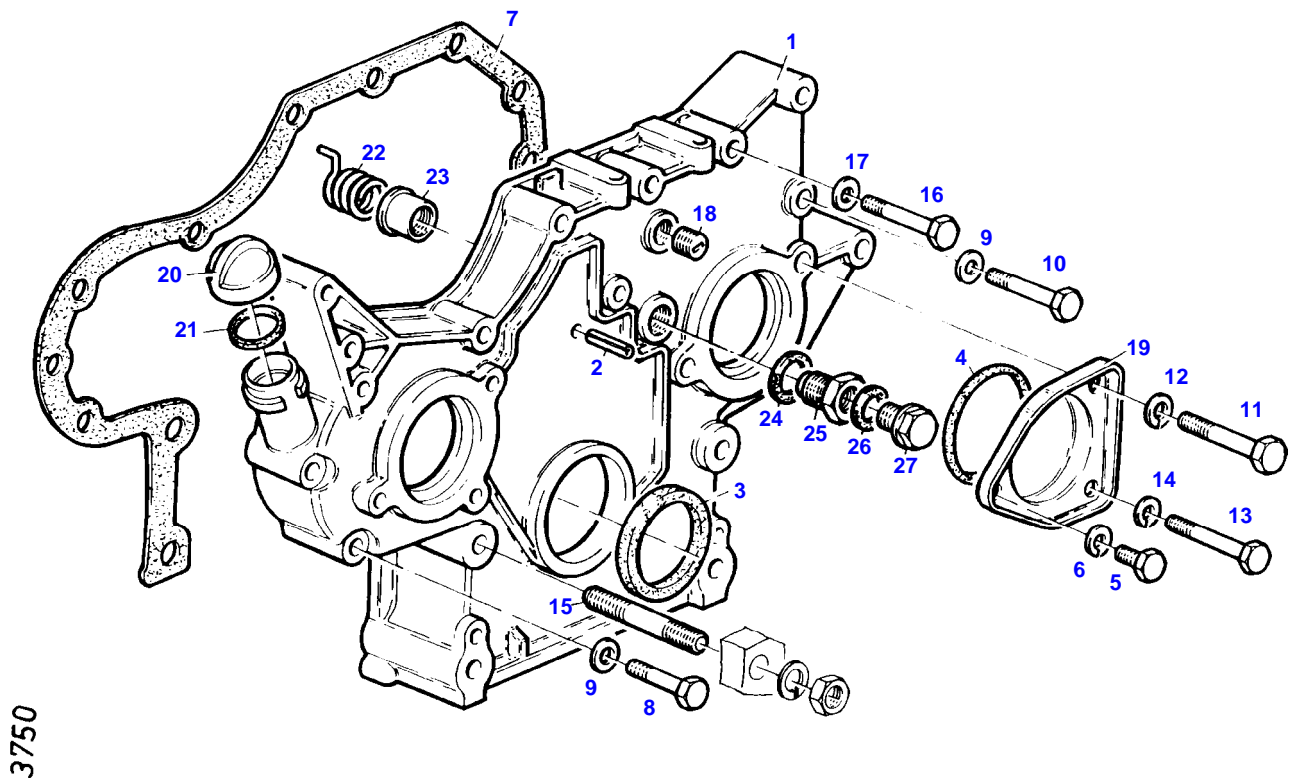
Hello dear friend!

Thank you very much for reading.

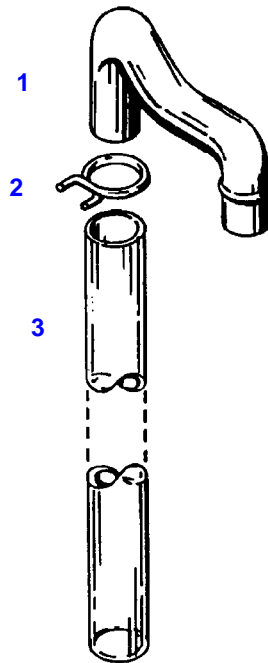
Enter the link into your browser.

The full manual is available for immediate download.

<https://www.ebooklibonline.com>



Item	Part Number	Qty	Description Comments	Technical Specification
1	72323947	1	COVER	
2	72375153	1	TENSIONING PIN	ISO8752-6X45-A-ST-ZNPHR10F-KOE
3	72317651	1	SHAFT SEAL	
4	72323566	1	PERMANENT REINFORCEMENT 80X3	
5	72374417	1	HEXAGONAL HEAD BOLT	DIN 933 M8X8-8.8
6	72315053	1	SPLIT WASHER	FWN 65208-8-A3L
7	72324304	1	SEAL	
	72311273	1	SEALING COMPOUND	TEROST-63S
8	72374161	1	HEXAGONAL HEAD BOLT	DIN 931 M8X60 GWA-10.9
9	72311788	3	DISC	DIN 125-8,4-ST.A3L
10	72315534	2	HEXAGONAL HEAD BOLT	DIN 931 M8 X 70-8.8
11	72374183	1	HEXAGONAL HEAD BOLT	DIN 931 M10X75-8.8
12	72315054	1	SPLIT WASHER	FWN 65208-10-A3L
13	72315534	1	HEXAGONAL HEAD BOLT	DIN 931 M8 X 70-8.8
14	72315053	1	SPLIT WASHER	FWN 65208-8-A3L
15			SEE FRONT AXLE BRACKET	
16	72315534	2	HEXAGONAL HEAD BOLT	DIN 931 M8 X 70-8.8
17	72311788	2	DISC	DIN 125-8,4-ST.A3L
18	72323556	1	SLOTTED PLUG	
19	72324418	1	COVER	
20	72323709	1	COVER >< 21	
21	72323708	1	SEALING WASHER	
22	72324159	1	COMPRESSION SPRING	
23	72323827	1	START-UP CAP	
24	72376036	1	SEALING WASHER	DIN7603 A24X30-ALU
25	72324020	1	SCREW	
26	72315099	1	SEALING WASHER	DIN 7603 A18X22-CU
27	72315801	1	SCREW	DIN 7604-AM18 X 1,5-ST A3L



010461

Fendt

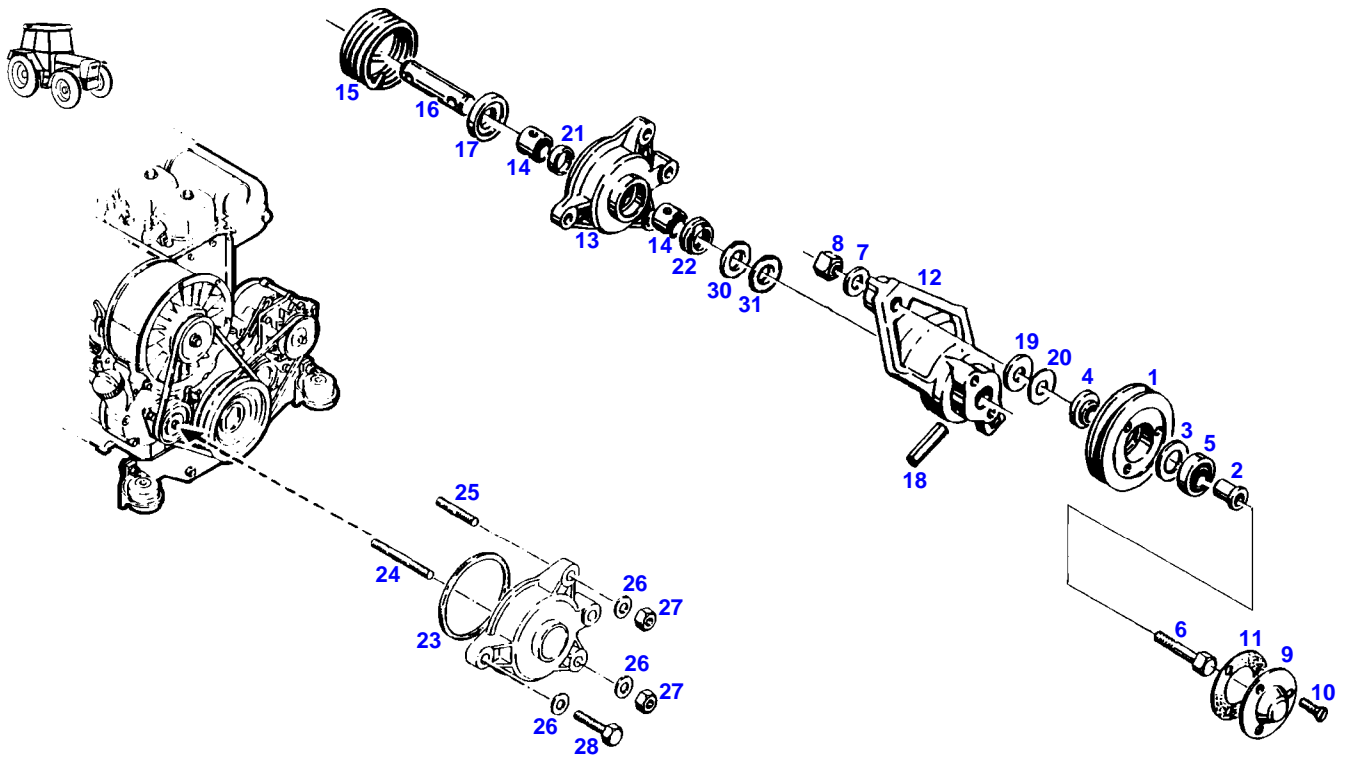
GT 370GT (370/00101-99999)

F370000

BREATHER PIPE

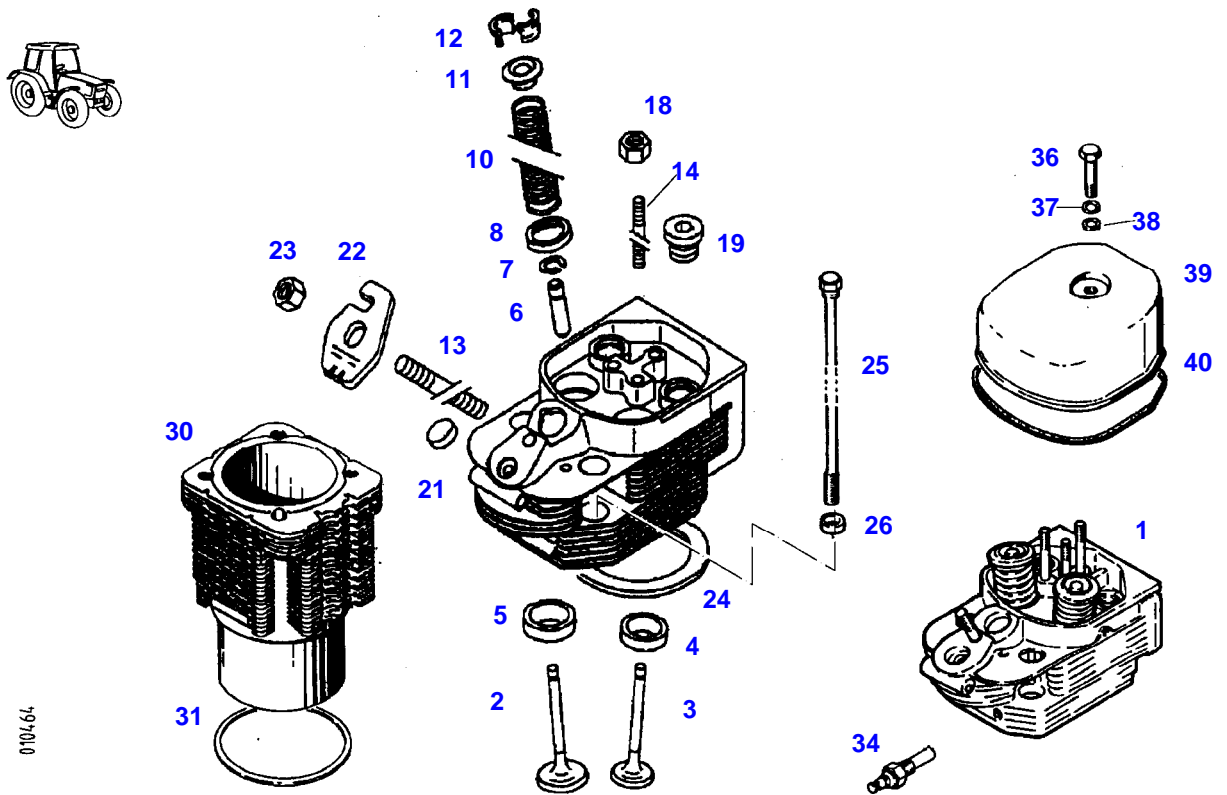
Page01-0014

Item	Part Number	Qty	Description Comments
1	72323767	1	PIPE
2	72323550	1	CLAMP
3	72323735	1	HOSE



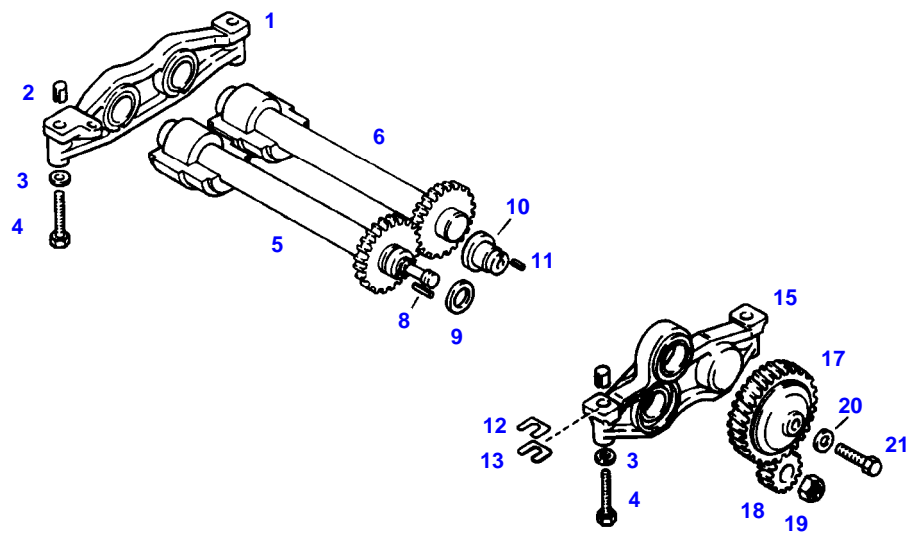
10775

Item	Part Number	Qty	Description Comments	Technical Specification
1	72324420	1	TENSIONING ROLLER ><1-22	
	72323802	1	V BELT SHEAVE	
2	72323801	1	FLANGE BUSHING	
3	72323848	1	DISC	
4	72323847	1	RING	
5	72323614	1	BALL BEARING	
6	72374158	1	HEXAGONAL HEAD BOLT	DIN 931 M8X45-8.8
7	72311788	1	DISC	DIN 125-8,4-ST.A3L
8	72313268	1	NUT	DIN 934 M8-8A3L
9	72324165	1	COVER	
10	72374838	3	COUNTERSUNK CAPSCREW	DIN 963 M6X16-4.8A3L
11	72323849	1	SEAL	
12	72324421	1	TENSIONER LEVER	
13	72324433	1	TENSIONER COVER	
14	72324169	2	BEARING BUSHING	
15	72324168	1	LEG SPRING	
16	72324174	1	SHAFT	
17	72324175	1	DISC	
18	72313829	1	TENSIONING PIN	ISO8752-8X32-A-ST
19	72323824	1	DISC 1,0 MM	
20	72324184	3	DISC 0,3 MM	
21	72324176	1	SPACER RING	
22	72324172	1	SHAFT SEAL	
23	72323566	1	PERMANENT REINFORCEMENT 80X3	
	72343078	1	PERMANENT REINFORCEMENT 78X3	
24	72373909	1	STUD BOLT	DIN 835 M8X45-5.8
25	72373902	1	STUD BOLT	DIN 835 M8X25-5.8
26	72323683	3	DISC	
27	72313268	2	NUT	DIN 934 M8-8A3L
28	72315657	1	HEXAGONAL HEAD BOLT	DIN 933 M8 X 30-8.8A3L
30	72344353	1	THRUST WASHER	
31	72344354	1	THRUST WASHER	



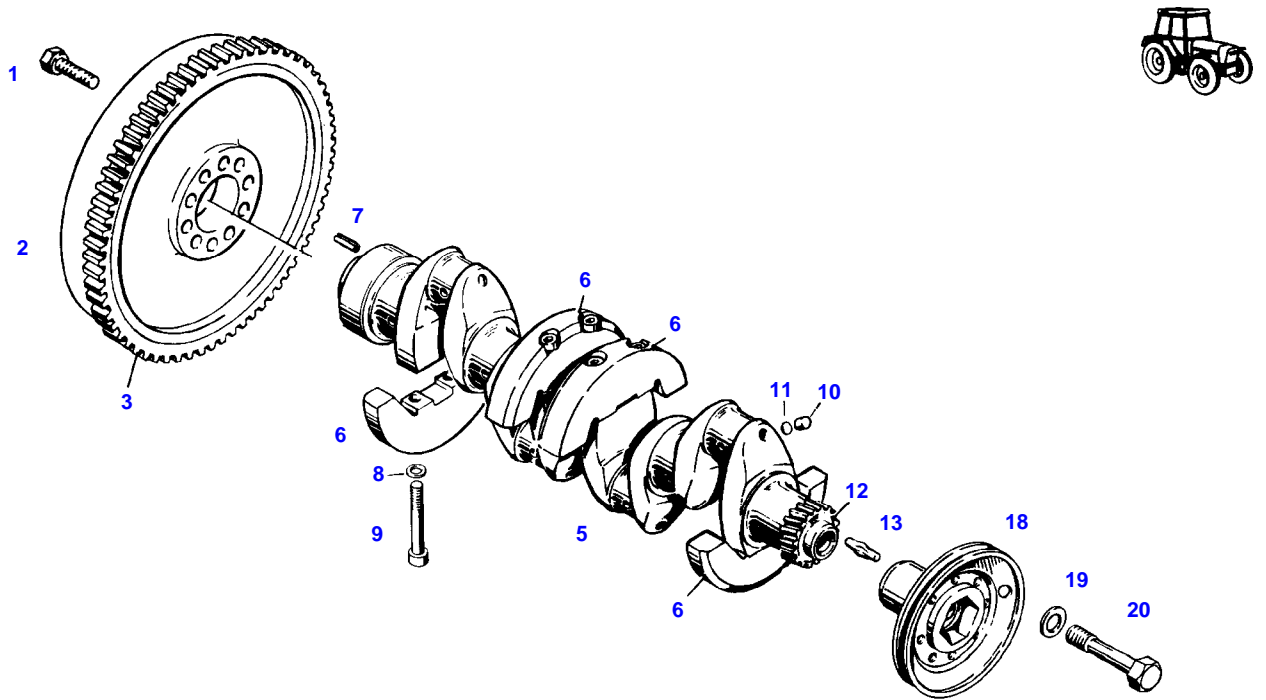
Item	Part Number	Qty	Description Comments	Technical Specification
1	72474193	4	CYLINDER HEAD ><1-14 <>24 <>	
	72344282	4	COMPENSATING RING	
	72344275	4	COMPENSATING RING	
	72344280	4	COMPENSATING RING	
	72333127	4	COMPENSATING RING	
	72333128	4	COMPENSATING RING	
2	72333119	4	INTAKE VALVE	
3	72333118	4	OUTLET VALVE	
4	72323897	4	VALVE SEAT RING 40,16 MM	
	72323898	4	VALVE SEAT RING 40,26 MM	
	72323899	4	VALVE SEAT RING 40,36 MM	
5	72333122	4	VALVE SEAT RING 45,66 MM	
	72333125	4	VALVE SEAT RING 45,76 MM	
	72333126	4	VALVE SEAT RING 45,86 MM	
6	72324060	8	VALVE GUIDE 15,00 MM ENG.NO. --> 8472415	
	72333121	8	VALVE GUIDE DUAL GROOVE 15,00 MM ENG.NO. <-- 8472416	
	72415971	8	VALVE GUIDE SINGLE GROOVE 15,00 MM ENG.NO.	
	72324070	8	VALVE GUIDE 15,25 MM ENG.NO. --> 8472415	
	72333123	8	VALVE GUIDE 15,25 MM ENG.NO.	
	72324071	8	VALVE GUIDE 15,50 MM ENG.NO. --> 8472415	
	72333124	8	VALVE GUIDE 15,50 MM ENG.NO. <-- 8472416	
7	72323676	8	LOCKWASHER	
8	72323888	8	SPRING RETAINER	
10	72324338	8	COMPRESSION SPRING	
11	72324349	8	SPRING RETAINER	
12	72333115	16	VALVE SPRING KEY	
13	72373927	4	STUD BOLT	DIN 835 M10X50-8.8
14	72418370	12	STUD BOLT	DIN 835-M8 SN4X55-8.8
18	72313268	12	NUT	DIN 934 M8-8A3L
19	72373957	8	SCREW	DIN 908-M26X1,5-ST-A3L
21	72323919	4	DISC	
22	72333416	4	HOLDER	
23	72313271	4	NUT	DIN 934 M10-8
24	72344275	4	COMPENSATING RING 1,20 MM	

Item	Part Number	Qty	Description Comments	Technical Specification
	72344280	4	COMPENSATING RING 1,45 MM	
	72344282	4	COMPENSATING RING 1,55 MM	
	72333127	4	COMPENSATING RING 1,65 MM	
	72333128	4	COMPENSATING RING 1,90 MM	
25	72324409	16	SOCKET HEAD BOLT	
26	72324345	16	MACHINE WASHER	
30	72324502	4	CYLINDER 100,00 MM	
31	72323891	X	COMPENSATING RING 0,20 MM	
	72324067	X	COMPENSATING RING 0,50 MM	
	72324374	X	COMPENSATING RING 0,80 MM	
	72324201	X	COMPENSATING RING 1,00 MM	
34			SEE LIGHTS AND HORN	
36	72315657	4	HEXAGONAL HEAD BOLT	DIN 933 M8 X 30-8.8A3L
	72325293	4	HEXAGONAL HEAD BOLT FOR DOMED CYLINDER HEAD COVER	M8X30
37	72311788	4	DISC	DIN 125-8,4-ST.A3L
38	72323693	4	SEALING WASHER	
	72488855	4	SEALING WASHER FOR DOMED CYLINDER HEAD COVER	
39	72324097	4	CYLINDER HEAD COVER FLAT <-- F149.200.210.240	
	72488845	1	CYLINDER HEAD COVER VAULTED ><36,38,40	
40	72485671	4	SEAL	
	72485671	4	SEAL FOR DOMED CYLINDER HEAD COVER	



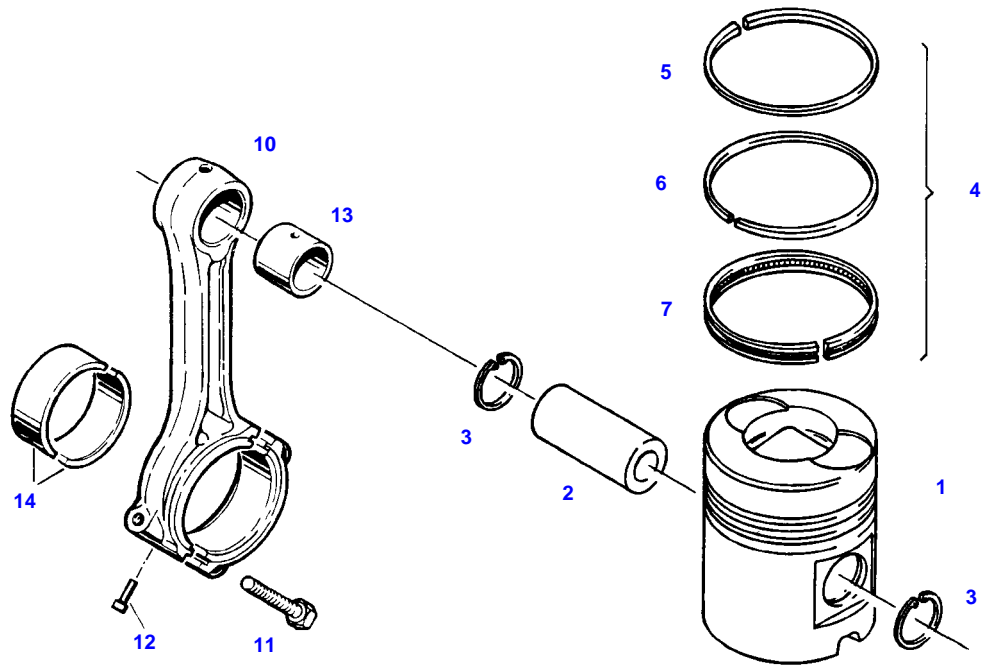
5459

Item	Part Number	Qty	Description Comments	Technical Specification
1	72333465	1	BEARING	
2	72323642	4	TENSIONER BUSHING	
3	72323685	4	DISC	
4	72374161	4	HEXAGONAL HEAD BOLT	DIN 931 M8X60 GWA-10.9
5	72333440	1	SHAFT	
6	72333439	1	SHAFT	
8	72313794	1	TENSIONING PIN	ISO8752-3X14-A-ST-ZNPHR10F-KOE
9	72324047	1	DISC	
10	72324134	1	BOLT	
11	72375115	1	TENSIONING PIN	ISO8752-3X8-A-ST-ZNPHR10F-KOEL
12	72323831	2	SHIM SPACER PLATE	
13	72324135	1	SHIM SPACER PLATE	
15	72324146	1	BEARING	
17	72420824	1	INTERMEDIATE GEAR	
18	72324133	1	PINION	
19	72313301	1	NUT	DIN 936 M18X1,5-17H-A3L
20	72431557	1	DISC	
21	72315661	1	HEXAGONAL HEAD BOLT	DIN 933 M8X40-10.9PHR



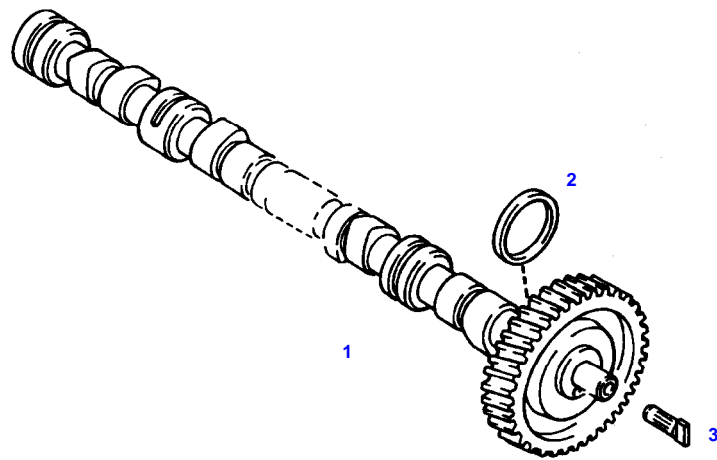
5456

Item	Part Number	Qty	Description Comments	Technical Specification
1	72374802	10	HEXAGONAL HEAD BOLT	DIN 961 M10X1X35-10.9A4C
2	72358475	1	FLYWHEEL ><3	
3	72323784	1	RING GEAR	
5	72324430	1	CRANKSHAFT	
6	72323778	4	COUNTER-BALANCE WEIGHT	
7	72375160	1	TENSIONING PIN	ISO8752-8X18-A-ST
8	72323684	8	DISC	
9	72315513	8	SOCKET HEAD BOLT	DIN 912 M12X60-10.9
10	72323592	4	PLUG	
11	72323572	4	DISC	
12	72324150	1	GEAR WHEEL	
13	72372685	1	DOWEL PIN	
18	72324426	1	V BELT SHEAVE	
19	72323687	1	DISC	
20	72344359	1	WAISTED SHANK BOLT	



5458

Item	Part Number	Qty	Description Comments	Technical Specification
1	72333131	4	PISTON ><1-4	
2			NO SPARE PART	
3	72311094	8	LOCK WASHER	DIN 472-35X1,5
4	72333132	4	PISTON RING KIT ><5-7	
5			NOT AVAILABLE IN SINGLE PARTS	
6			NOT AVAILABLE IN SINGLE PARTS	
7			NOT AVAILABLE IN SINGLE PARTS	
10	72324376	4	PISTON ROD ><10-14	
11	72324117	8	HEXAGONAL HEAD BOLT	
12	72324342	4	PIN	
13	72324343	4	PISTON BUSH	
14	72415974	4	CONNECTING ROD BEARING 60,00 MM	
	72415977	4	CONNECTING ROD BEARING 59,75 MM	
	72415978	4	CONNECTING ROD BEARING 59,50 MM	
	72323927	4	CONNECTING ROD BEARING FOR STEEL CRANKSHAFT 59,25 MM	



5461

Fendt

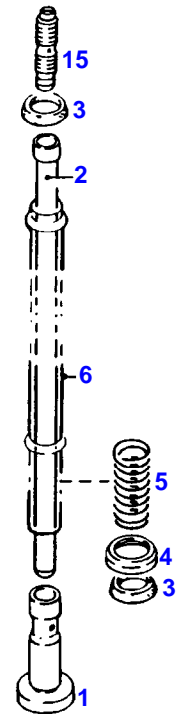
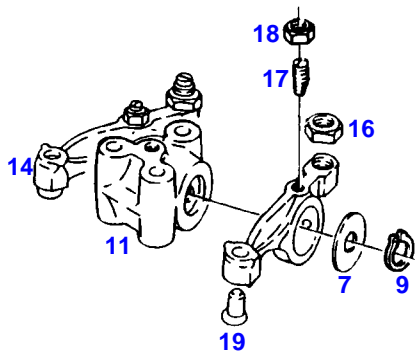
GT 370GT (370/00101-99999)

F370000

CAMSHAFT

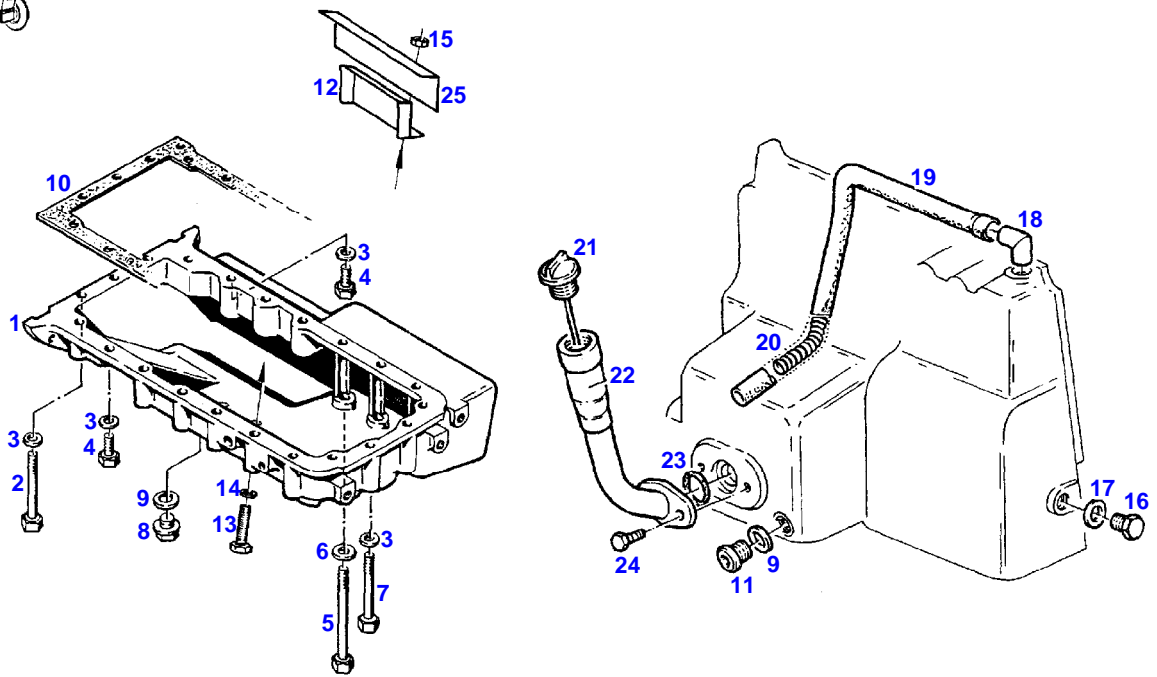
Page01-0020

Item	Part Number	Qty	Description Comments
1	72488619	1	CAMSHAFT
2	72324337	1	DISC
3			SEE TRACTOMETER SYSTEM



10625

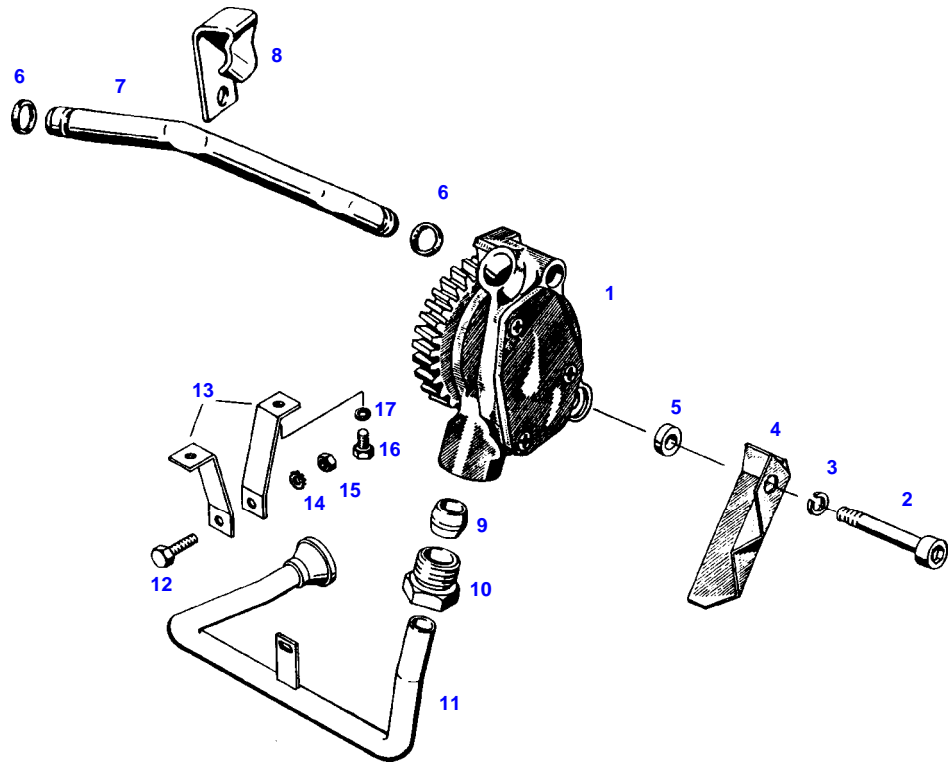
Item	Part Number	Qty	Description Comments	Technical Specification
1	72324362	6	VALVE TAPPET	
2	72324428	6	BUMPER	
3	72324064	12	SEALING WASHER	
4	72324363	6	CAP	
5	72324360	6	COIL SPRING	
6	72324364	6	SHIELD PIPE	
7	72344293	6	DISC	
9	72375564	6	LOCK WASHER	DIN 471-21X1,2
11	72415982	3	ROCKER ARM SUPPORT	
14	72344295	6	ROCKER ARM ><15-19 <-- F149.200.410.030	
15	72324333	6	ADJUSTING SCREW	
16	72372876	6	NUT	DIN 936 M10X1-17H
17	72324355	6	OIL NOZZLE	
18	72313266	6	NUT	DIN 934 M6-8A3L
19	72324137	6	CLEVIS PIN	



11823

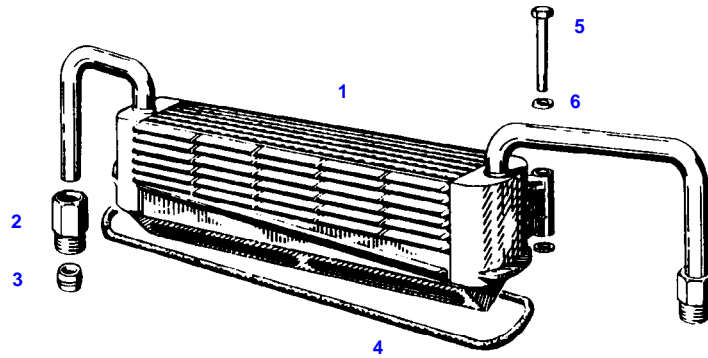
Item	Part Number	Qty	Description Comments	Technical Specification
1	72427157	1	OIL PAN ><12-15,25 <>	
2	72374149	3	HEXAGONAL HEAD BOLT	DIN 931 M8X110-8.8
3	72311788	18	DISC	DIN 125-8,4-ST.A3L
4	72315653	7	HEXAGONAL HEAD BOLT	DIN 933 M8 X 25-8.8A3L
5	72315528	3	HEXAGONAL HEAD BOLT	DIN 931 M8X130-8.8
6	72315087	3	SEALING WASHER	DIN 7603 A8X14-CU
7	72315525	8	HEXAGONAL HEAD BOLT	DIN 931 M8 X 90-8.8A3L
8	72373976	1	SCREW	DIN 910 M22X1,5-ST
9	72315101	2	SEALING WASHER	DIN 7603 A22X27-CU
10	72324310	1	SEAL	
11	72315442	1	PLUG	DIN 908 M22X1,5-ST
12	72407981	1	BAFFLE PLATE	
13	72315657	2	HEXAGONAL HEAD BOLT	DIN 933 M8 X 30-8.8A3L
14	72315086	2	SEALING WASHER	DIN 7603 A8X11,5-CU
15	72313268	2	NUT	DIN 934 M8-8A3L
16	72315438	1	PLUG SCREW	DIN 908 M14X1,5-ST
17	72315094	1	SEALING WASHER	DIN 7603 A14X18-CU
18	72363802	1	PIPE BEND	
19	72436284	1	HOSE 1X 900MM CUT TO LENGTH	L=1120 FWN65912-19X3-PVC-W-G
20	72407980	1	COMPRESSION SPRING	
	72316510	2	COMPRESSION SPRING	
	72316913	2	CABLE STRAP B360X7,5 NOT ILLUSTRATED	FWN 66650 B360X7,5-SW
21	72408671	1	DIPSTICK	
22	72363801	1	OIL FILLER NECK	
23	72376547	1	O-RING	44,2X3-FPM 70 FWN56402
24	72315679	2	HEXAGONAL HEAD BOLT	DIN 933 M10X20-8.8A3L
25	72425410	1	BAFFLE PLATE	

GT 370GT (370/00101-99999)
7239



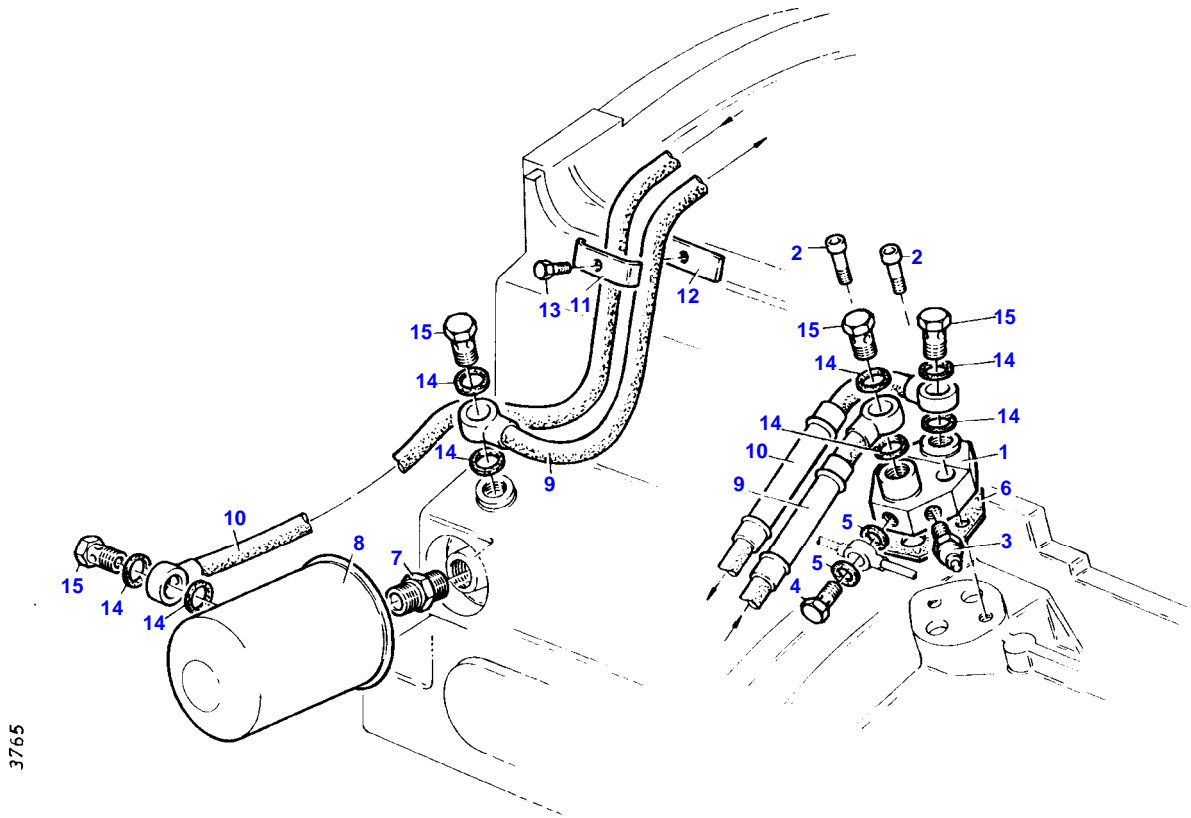
7239

Item	Part Number	Qty	Description Comments	Technical Specification
1	72333419	1	LUBRICATING OIL PUMP	
2	72374161	2	HEXAGONAL HEAD BOLT	DIN 931 M8X60 GWA-10.9
3	72323588	2	LOCK WASHER	
4	72333471	1	SCREENING PLATE	
5	72431557	2	DISC	
6	72323644	2	O-RING	
7	72324228	1	BOOST PIPE	
8	72324088	1	CLIP PIN	
9	72323700	1	DOUBLE CONICAL RING	
10	72323697	1	UNION SCREW	
11	72324453	1	SUCTION PIPE	
12	72315626	1	HEXAGONAL HEAD BOLT	DIN 933-M6 X 16-8.8-A3L
13	72324234	2	RETAINER	
14	72317127	1	SERRATED LOCK WASHER	DIN 6798 A6,4-A3L
15	72313266	1	NUT	DIN 934 M6-8A3L
16	72315645	2	HEXAGONAL HEAD BOLT	DIN 933 M8 X 12-8.8A3L
17	72315053	2	SPLIT WASHER	FWN 65208-8-A3L

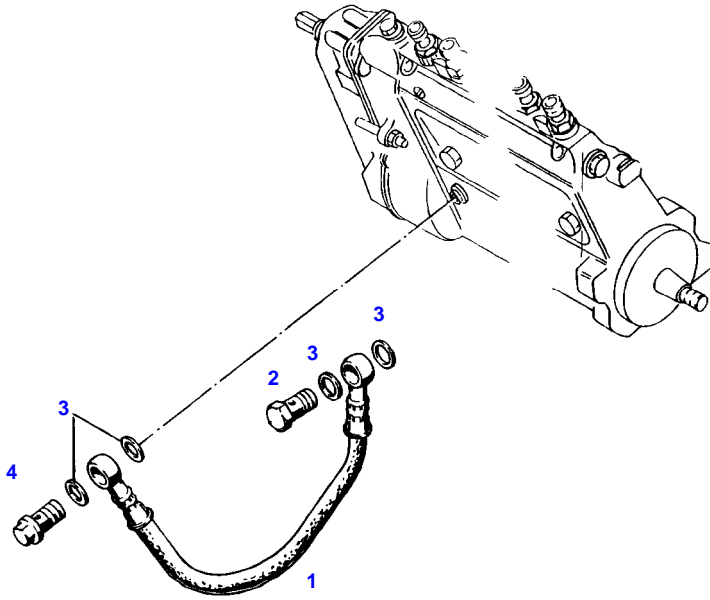


7240

Item	Part Number	Qty	Description Comments	Technical Specification
1	72617541	1	LUBRICATION OIL COOLER	
2	72344380	2	CONNECTING NUT	
3	72323699	2	DOUBLE CONICAL RING	
4	72323737	1	SEALING WASHER	
5	72315539	2	HEXAGONAL HEAD BOLT	DIN 931 M8X80-8.8 A3L
6	72323665	4	DISC	



Item	Part Number	Qty	Description Comments	Technical Specification
1	72403275	1	ADAPTER	
2	72315496	2	SOCKET HEAD BOLT	DIN 912 M10X35-8.8
3	72380896	1	OIL PRESSURE SENSOR	
4	72315807	1	BANJO BOLT	DIN 7643-8-3-A3L
5	72315087	2	SEALING WASHER	DIN 7603 A8X14-CU
6	72324454	1	SEAL	
7	72324068	1	DOUBLE NIPPLE	
8	72339038	1	OIL FILTER	
9	72324404	1	OIL LINE	
10	72324403	1	OIL LINE	
11	72324405	1	CLIP	
12	72324406	1	PLATE	
13	72315635	1	HEXAGONAL HEAD BOLT	DIN 933 M6X35-8.8A3L
14	72315104	8	SEALING WASHER	DIN 7603 A26X31-CU
15	72315811	4	BANJO BOLT	DIN 7643-22-3-A3L



5473

Fendt

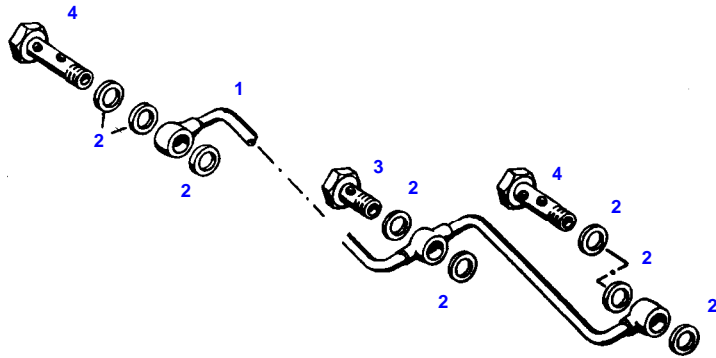
GT 370GT (370/00101-99999)

F370000

SUPPLY LINES

Page01-0026

Item	Part Number	Qty	Description Comments	Technical Specification
1	72323638	1	HOSE LINE	
2	72323516	1	BANJO BOLT	
3	72315088	4	SEALING WASHER	DIN 7603 A10X13,5-CU
4	72324022	1	BANJO BOLT	



5474

Fendt

GT 370GT (370/00101-99999)

F370000

LEAK OIL LINE

Page01-0027

Item	Part Number	Qty	Description Comments	Technical Specification
1	72323915	1	LEAKAGE OIL LINE	
2	72315086	10	SEALING WASHER	DIN 7603 A8X11,5-CU
3	72344394	2	BANJO BOLT	
4	72344393	2	BANJO BOLT	



Suggest:

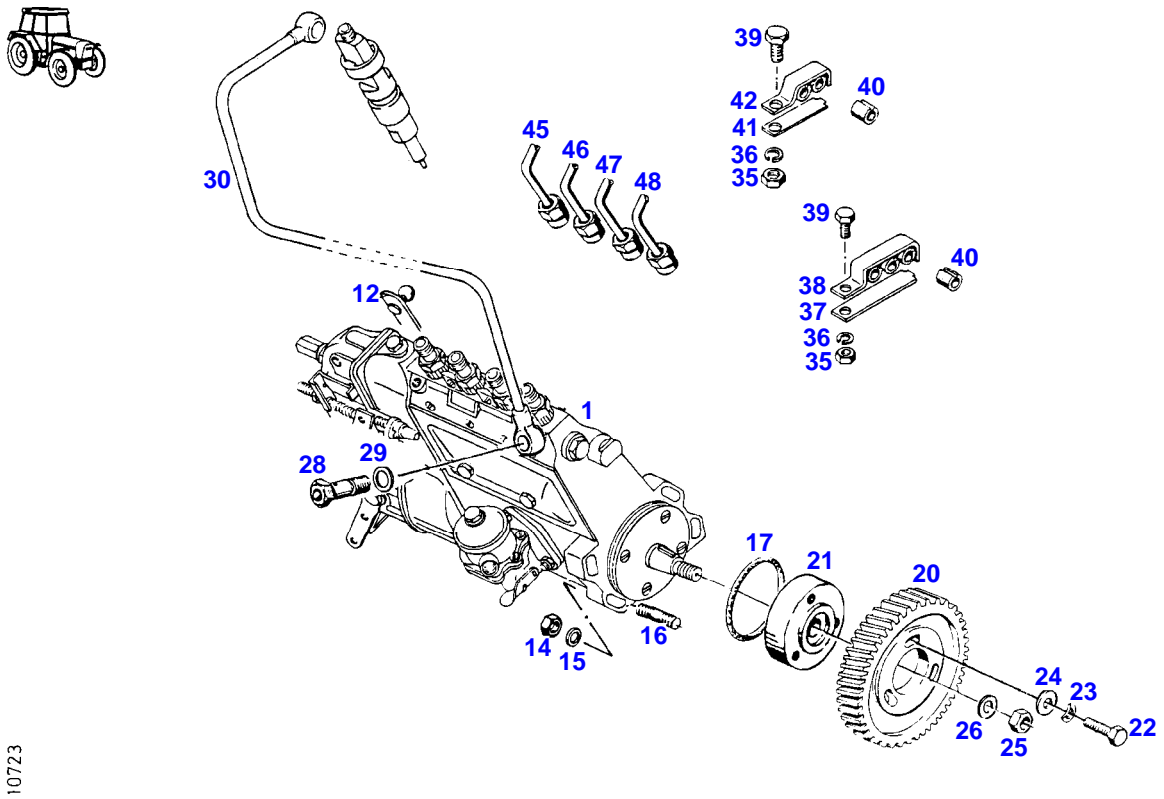
For more complete manuals. Please go to the home page.

<https://www.ebooklibonline.com>

If the above button click is invalid. Please download this document first, and then click the above link to download the complete manual.

Thank you so much for reading

GT 370GT (370/00101-99999)
10723



10723

INJECTION PUMP

Item	Part Number	Qty	Description Comments	Technical Specification
1	72343207	1	INJECTION PUMP NOTE CHASSIS NO. WITH PARTS ORDER	
12			SEE SPEED CONTROL	
14	72372811	4	NUT	DIN 934 M10-10A3L
15	72311789	4	DISC	DIN 125-10,5-ST.A3L
16	72313756	4	STUD BOLT	DIN 835 M10X30-8.8
17	72323564	1	SEAL	
20	72323957	1	GEAR WHEEL	
21	72324107	1	HUB	
22	72418421	3	HEXAGONAL HEAD BOLT	ISO 8676-M8X1X25-10.9
23	72317121	3	SPRING WASHER	DIN 137 B8-MECH.VZK
24	72323792	3	DISC	
25	72372824	1	NUT	DIN 934 M14X1,5-10A3L
26	72324108	1	DISC	
28	72324065	1	VALVE	
29	72315095	3	SEALING WASHER	DIN 7603 A14X20-CU
30	72324493	1	SPILL LINE	
35	72313266	3	NUT	DIN 934 M6-8A3L
36	72315052	3	SPLIT WASHER	FWN 65208-6-A3L
37	72323591	1	END PLATE	
38	72323590	1	PIPE CLAMP	
39	72315629	3	HEXAGONAL HEAD BOLT	DIN 933 M6 X 12-8.8A3L
40	72324367	7	THIMBLE	
41	72323593	2	END PLATE	
42	72323537	2	PIPE CLAMP	
45	72343208	1	INJECTION LINE CYLINDER 1	
46	72343209	1	INJECTION LINE CYLINDER 2	
47	72343210	1	INJECTION LINE CYLINDER 3	
48	72343211	1	INJECTION LINE CYLINDER 4	

<https://www.ebooklibonline.com>

Hello dear friend!

Thank you very much for reading.

Enter the link into your browser.

The full manual is available for immediate download.

<https://www.ebooklibonline.com>