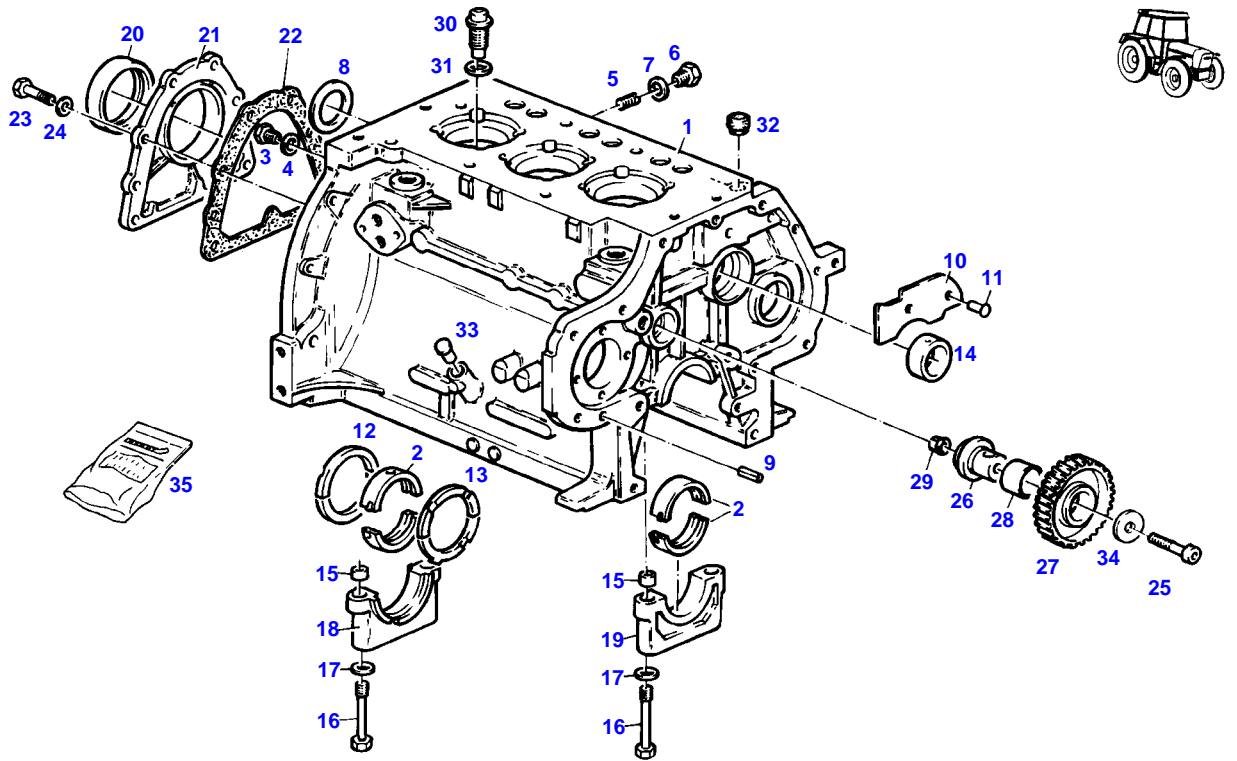


Page Number	Page Title	Page Reference
01-000-TOC	ENGINE, FUEL AND EXHAUST SYSTEM	01-000-TOC
02-000-TOC	AXLES	02-000-TOC
03-000-TOC	STEERING SYSTEM	03-000-TOC
04-000-TOC	DRIVE TRAIN SYSTEM	04-000-TOC
05-000-TOC	COMPRESSED AIR SYSTEM	05-000-TOC
06-000-TOC	HYDRAULIC SYSTEM	06-000-TOC
07-000-TOC	ELECTRICAL SYSTEM	07-000-TOC
08-000-TOC	CAB	08-000-TOC
09-000-TOC	CHASSIS	09-000-TOC
10-000-TOC	WHEELS	10-000-TOC
11-000-TOC	IMPLEMENT LIFT SYSTEM FRONT	11-000-TOC
12-000-TOC	IMPLEMENT LIFT SYSTEM REAR	12-000-TOC
13-000-TOC	FRONT/REAR LOADERS	13-000-TOC
14-000-TOC	ATTACHMENTS	14-000-TOC
15-000-TOC	ACCESSORIES	15-000-TOC

GT 345GT (345/00001-07000 & 90001-99999)
7978



7978

Item	Part Number	Qty	Description Comments	Technical Specification
	72436670	1	DIESEL ENGINE	
1	72324203	1	HOUSING UPPER PART ><3-9,14-19,32+33	
2	72324293	4	CRANKSHAFT BEARING 70,00 MM	
	72415975	4	CRANKSHAFT BEARING 69,75 MM	
	72415976	4	CRANKSHAFT BEARING 69,50 MM	
3	72323673	2	SCREW	
4	72315098	2	SEALING WASHER	DIN 7603 A16X22-CU
5	72323675	4	SLOTTED PLUG	
6	72427167	3	SCREW	DIN 908 M12 X 1,5-ST-A3
7	72315090	3	SEALING WASHER	DIN 7603 A12X15,5-CU
8	72323690	1	LOCKING DISC	
9	72323573	2	TENSIONER BUSHING	
10	72324021	1	BAFFLE	
11	72372707	2	SLOTTED PIN	DIN 1476-6X10-ST
12	72425118	1	THRUST RING 2,94 MM	
	72323990	1	THRUST RING FOR STEEL CRANKSHAFT 3,25 MM	
	72496405	1	THRUST RING FOR CAST STEEL CRANKSHAFT 3,14 MM	3,14MM
	72323991	1	THRUST RING FOR STEEL CRANKSHAFT 3,50 MM	
13	72323983	1	THRUST RING 3,00 MM	
	72323984	1	THRUST RING FOR STEEL CRANKSHAFT 3,25 MM	
	72425121	1	THRUST RING FOR CAST STEEL CRANKSHAFT 3,14 MM	
	72323985	1	THRUST RING FOR STEEL CRANKSHAFT 3,50 MM	
14	72344344	1	BUSH	
15	72324286	8	ADAPTER BUSH	
16	72323521	8	HEXAGONAL HEAD BOLT	
17	72323682	8	DISC	
18	72323945	1	BEARING CAP	
19	72323946	1	BEARING CAP	
20	72425119	1	SHAFT SEAL	
21	72324099	1	COVER	
22	72311273	1	SEALING COMPOUND	TEROST-63S
23	72315650	8	HEXAGONAL HEAD BOLT	DIN 933 M8 X 20-8.8A3L
24	72311788	8	DISC	DIN 125-8,4-ST.A3L
25	72324090	1	SOCKET HEAD BOLT ENG.NO. --> 7 262 624 <> <>	
	72324457	1	DISC	
	72324088	1	CLIP PIN	
26	72344347	1	PIVOT	
27	72324444	1	INTERMEDIATE GEAR ENG.NO. ><28 --> 7 262 624 <> <>	
	72324457	1	DISC	
	72324088	1	CLIP PIN	
	72324090	1	SOCKET HEAD BOLT	

<https://www.ebooklibonline.com>

Hello dear friend!

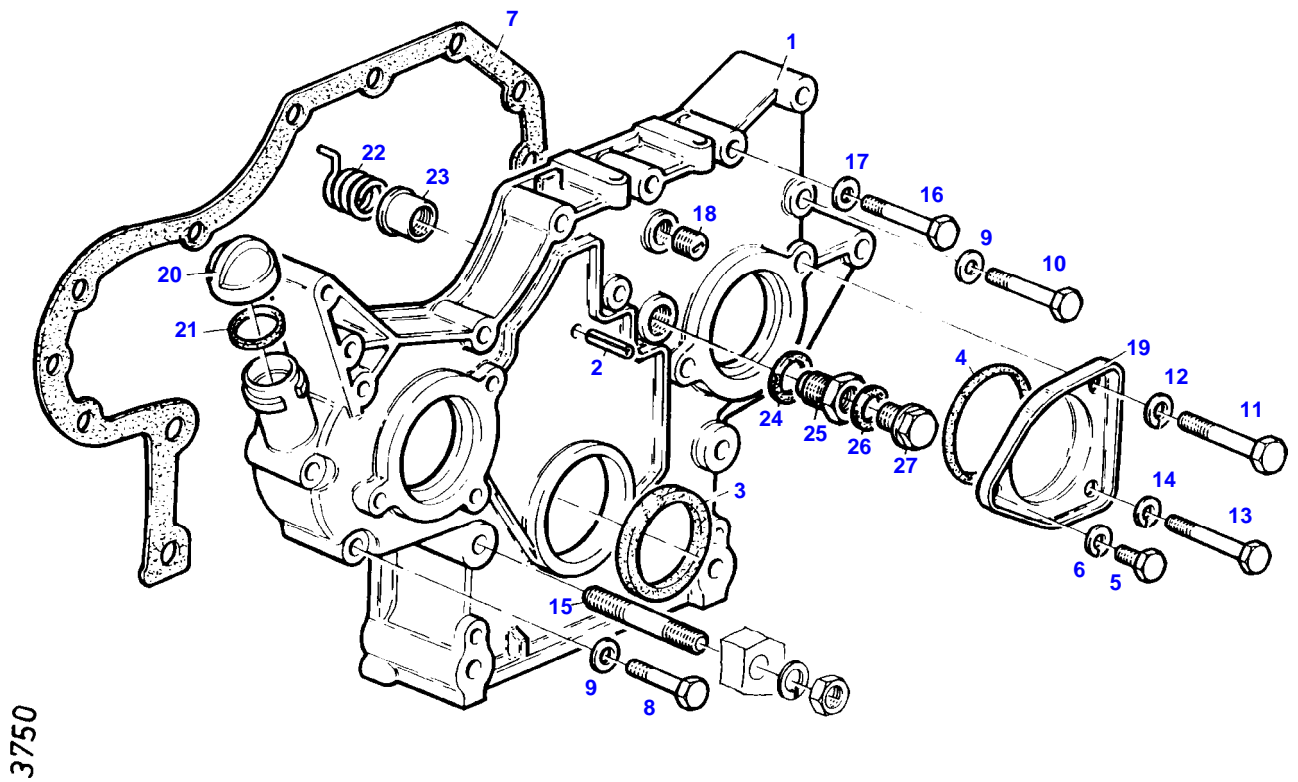
Thank you very much for reading.

Enter the link into your browser.

The full manual is available for immediate download.

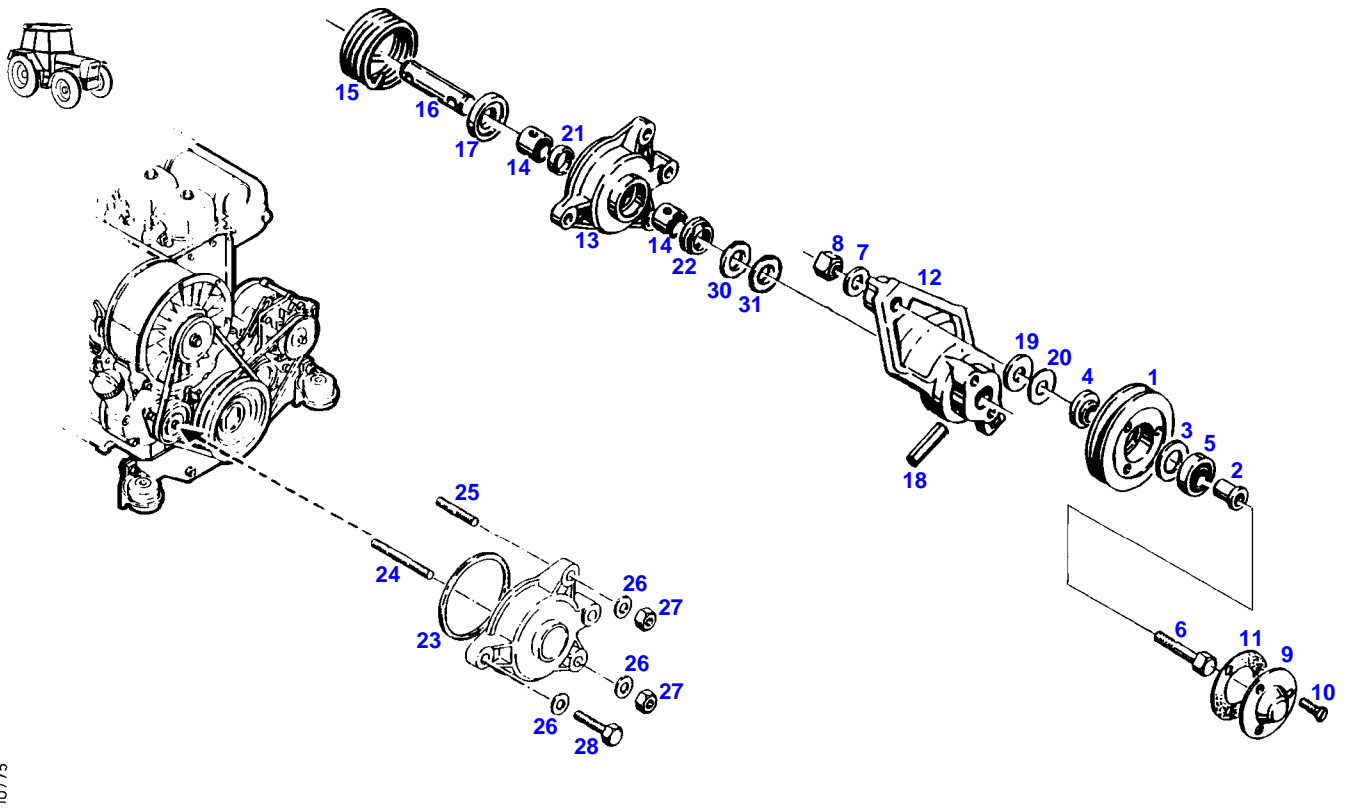
<https://www.ebooklibonline.com>

Item	Part Number	Qty	Description Comments	Technical Specification
28	72324307	1	BUSH	
29	72344346	1	TENSIONER BUSHING	
30	72420361	3	SPRAY NOZZLE	
31	72315053	3	SPLIT WASHER	FWN 65208-8-A3L
32	72323653	1	CORE HOLE PLUG	
33	72324312	1	BOLT	
34	72324457	1	DISC <-- 7 262 625 ENG.NO.	
35	72427478	1	SEAL KIT	



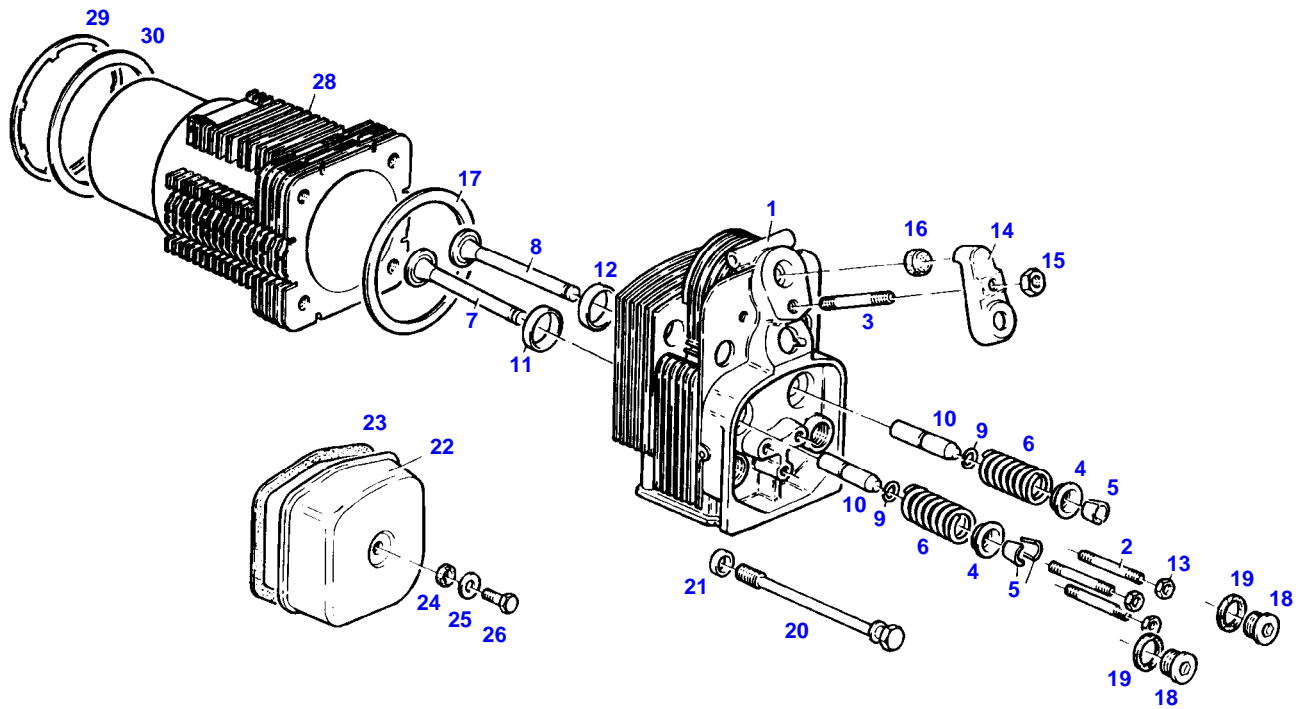
Item	Part Number	Qty	Description Comments	Technical Specification
1	72323947	1	COVER	
2	72375153	1	TENSIONING PIN	ISO8752-6X45-A-ST-ZNPHR10F-KOE
3	72317651	1	SHAFT SEAL	
4	72323566	1	PERMANENT REINFORCEMENT 80X3	
5	72374417	1	HEXAGONAL HEAD BOLT	DIN 933 M8X8-8.8
6	72315053	1	SPLIT WASHER	FWN 65208-8-A3L
7	72324304	1	SEAL	
	72311273	1	SEALING COMPOUND	TEROST-63S
8	72374161	1	HEXAGONAL HEAD BOLT	DIN 931 M8X60 GWA-10.9
9	72311788	3	DISC	DIN 125-8,4-ST.A3L
10	72315534	2	HEXAGONAL HEAD BOLT	DIN 931 M8 X 70-8.8
11	72374183	1	HEXAGONAL HEAD BOLT	DIN 931 M10X75-8.8
12	72315054	1	SPLIT WASHER	FWN 65208-10-A3L
13	72315534	1	HEXAGONAL HEAD BOLT	DIN 931 M8 X 70-8.8
14	72315053	1	SPLIT WASHER	FWN 65208-8-A3L
15			SEE FRONT AXLE BRACKET	
16	72315534	2	HEXAGONAL HEAD BOLT	DIN 931 M8 X 70-8.8
17	72311788	2	DISC	DIN 125-8,4-ST.A3L
18	72323556	1	SLOTTED PLUG	
19	72324418	1	COVER	
20	72323709	1	COVER >< 21	
21	72323708	1	SEALING WASHER	
22	72324159	1	COMPRESSION SPRING	
23	72323827	1	START-UP CAP	
24	72376036	1	SEALING WASHER	DIN7603 A24X30-ALU
25	72324020	1	SCREW	
26	72315099	1	SEALING WASHER	DIN 7603 A18X22-CU
27	72315801	1	SCREW	DIN 7604-AM18 X 1,5-ST A3L

GT 345GT (345/00001-07000 & 90001-99999)
10775



Item	Part Number	Qty	Description Comments	Technical Specification
1	72324420	1	TENSIONING ROLLER ><1-22	
	72323802	1	V BELT SHEAVE	
2	72323801	1	FLANGE BUSHING	
3	72323848	1	DISC	
4	72323847	1	RING	
5	72323614	1	BALL BEARING	
6	72374158	1	HEXAGONAL HEAD BOLT	DIN 931 M8X45-8.8
7	72311788	1	DISC	DIN 125-8,4-ST.A3L
8	72313268	1	NUT	DIN 934 M8-8A3L
9	72324165	1	COVER	
10	72374838	3	COUNTERSUNK CAPSCREW	DIN 963 M6X16-4.8A3L
11	72323849	1	SEAL	
12	72324421	1	TENSIONER LEVER	
13	72324433	1	TENSIONER COVER	
14	72324169	2	BEARING BUSHING	
15	72324168	1	LEG SPRING	
16	72324174	1	SHAFT	
17	72324175	1	DISC	
18	72313829	1	TENSIONING PIN	ISO8752-8X32-A-ST
19	72323824	1	DISC 1,0 MM	
20	72324184	3	DISC 0,3 MM	
21	72324176	1	SPACER RING	
22	72324172	1	SHAFT SEAL	
23	72323566	1	PERMANENT REINFORCEMENT 80X3	
	72343078	1	PERMANENT REINFORCEMENT 78X3	
24	72373909	1	STUD BOLT	DIN 835 M8X45-5.8
25	72373902	1	STUD BOLT	DIN 835 M8X25-5.8
26	72323683	3	DISC	
27	72313268	2	NUT	DIN 934 M8-8A3L
28	72315657	1	HEXAGONAL HEAD BOLT	DIN 933 M8 X 30-8.8A3L
30	72344353	1	THRUST WASHER	
31	72344354	1	THRUST WASHER	

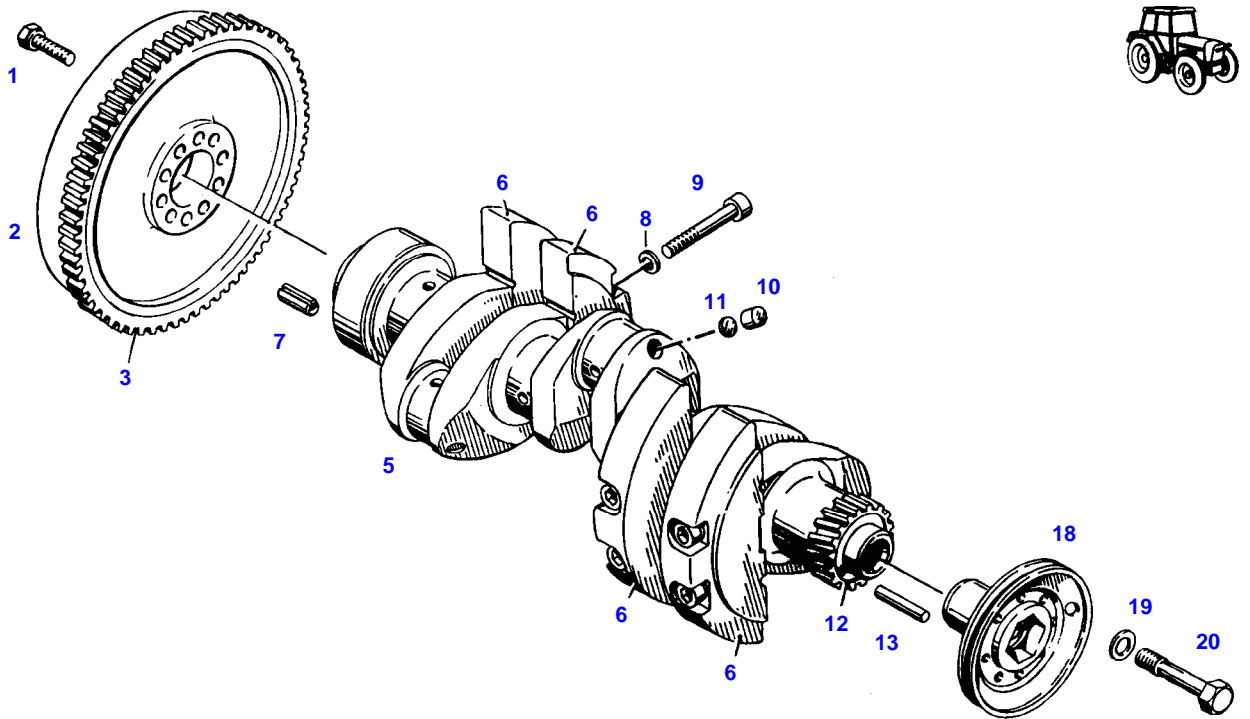
GT 345GT (345/00001-07000 & 90001-99999)
3763



3763

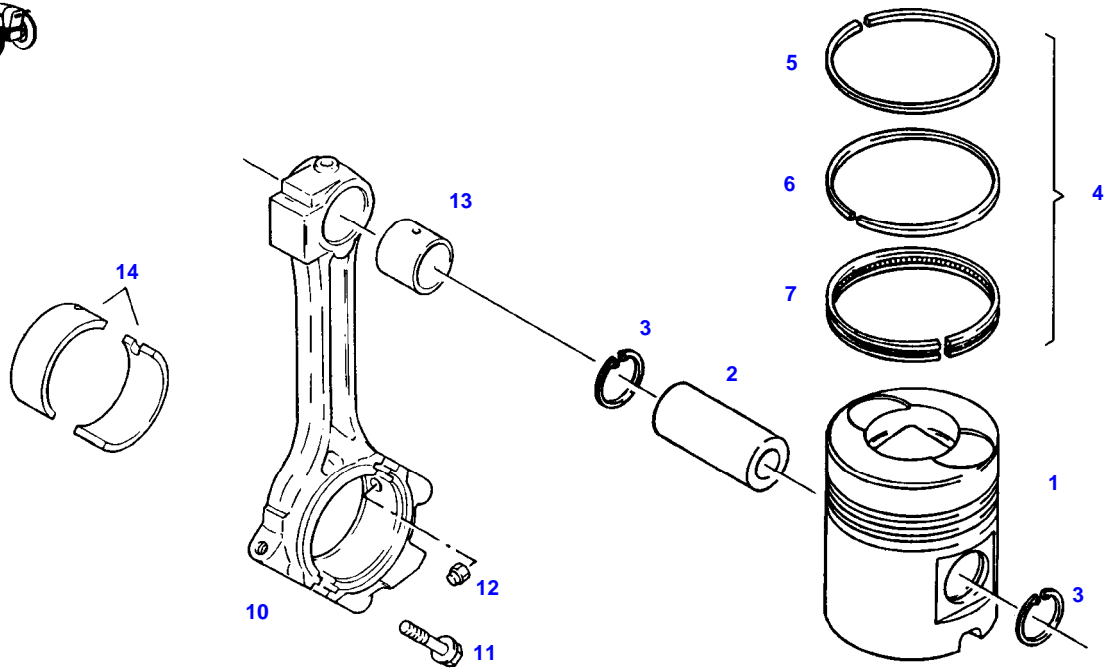
Item	Part Number	Qty	Description Comments	Technical Specification
1	72324222	3	CYLINDER HEAD ><2-12 <>17 <-- F208.200.210.050 <>	
	72344279	3	COMPENSATING RING	
	72344274	3	COMPENSATING RING	
	72344276	3	COMPENSATING RING	
	72344282	3	COMPENSATING RING	
	72344280	3	COMPENSATING RING	
	72344281	3	COMPENSATING RING	
	72344278	3	COMPENSATING RING	
	72344277	3	COMPENSATING RING	
	72324496	3	COMPENSATING RING	
	72344275	3	COMPENSATING RING	
2	72418370	9	STUD BOLT	DIN 835-M8 SN4X55-8.8
3	72373928	3	STUD BOLT	DIN 835 M10X65-8.8
4	72324349	6	SPRING RETAINER	
5	72323582	12	TAPER PIECE HALF	
6	72324338	6	COMPRESSION SPRING	
7	72425071	3	OUTLET VALVE <>	
	72323888	1	SPRING RETAINER	
	72333115	2	VALVE SPRING KEY	
8	72324144	3	INTAKE VALVE	
9	72323676	6	LOCKWASHER	
10	72324060	6	VALVE GUIDE 15,00 MM	
	72324070	6	VALVE GUIDE 15,25 MM	
	72324071	6	VALVE GUIDE 15,50 MM	
11	72323897	3	VALVE SEAT RING 40,16 MM	
	72323898	3	VALVE SEAT RING 40,26 MM	
	72323899	3	VALVE SEAT RING 40,36 MM	
12	72323894	3	VALVE SEAT RING 45,66 MM	
	72323895	3	VALVE SEAT RING 45,76 MM	
	72323896	3	VALVE SEAT RING 45,85 MM	
13	72313268	9	NUT	DIN 934 M8-8A3L
14	72323921	3	HOLDER	
15	72313272	3	NUT	DIN 934 M10-8A3L
16	72323919	3	DISC	
17	72324496	3	COMPENSATING RING 1,10 MM	
	72344274	3	COMPENSATING RING 1,15 MM	
	72344275	3	COMPENSATING RING 1,20 MM	
	72344276	3	COMPENSATING RING 1,25 MM	
	72344277	3	COMPENSATING RING 1,30 MM	
	72344278	3	COMPENSATING RING 1,35 MM	
	72344279	3	COMPENSATING RING 1,40 MM	
	72344280	3	COMPENSATING RING 1,45 MM	
	72344281	3	COMPENSATING RING 1,50 MM	

Item	Part Number	Qty	Description Comments	Technical Specification
	72344282	3	COMPENSATING RING 1,55 MM	
18	72373957	9	SCREW	DIN 908-M26X1,5-ST-A3L
19	72315104	9	SEALING WASHER	DIN 7603 A26X31-CU
20	72324409	12	SOCKET HEAD BOLT	
21	72324345	12	MACHINE WASHER	
22	72324097	3	CYLINDER HEAD COVER FLAT <-- F149.200.210.240	
	72488845	3	CYLINDER HEAD COVER VAULTED ><23,24,26	
23	72485671	3	SEAL	
	72485671	3	SEAL FOR DOMED CYLINDER HEAD COVER	
24	72323693	3	SEALING WASHER	
	72488855	3	SEALING WASHER FOR DOMED CYLINDER HEAD COVER	
25	72311788	3	DISC	DIN 125-8,4-ST.A3L
26	72315657	3	HEXAGONAL HEAD BOLT	DIN 933 M8 X 30-8.8A3L
	72325293	3	HEXAGONAL HEAD BOLT FOR DOMED CYLINDER HEAD COVER	M8X30
28	72324502	3	CYLINDER	
29	72323891	X	COMPENSATING RING 0,20 MM	
	72324067	X	COMPENSATING RING 0,50 MM	
	72324374	X	COMPENSATING RING 0,80 MM	
	72324201	X	COMPENSATING RING 1,00 MM	
30	72323526	3	PERMANENT REINFORCEMENT	



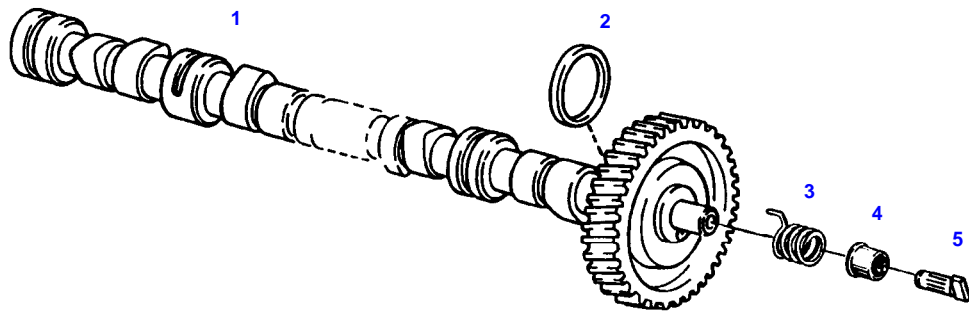
5454

Item	Part Number	Qty	Description Comments	Technical Specification
1	72374803	10	HEXAGONAL HEAD BOLT --> 345/1310 <-- 345/90001 --> 345/90076	DIN 961 M10X1X45-10.9A4C
	72374802	10	HEXAGONAL HEAD BOLT <-- 345/1311 --> 345/90000 <-- 345/90077	DIN 961 M10X1X35-10.9A4C
2	72363800	1	FLYWHEEL ><3 --> 345/0984 <-- 345/90001 --> 345/90053	
	72358474	1	FLYWHEEL ><3 <-- 345/0985 --> 345/1310 <-- 345/90054 --> 345/90076	
	72358475	1	FLYWHEEL ><3 <-- 345/1311 --> 345/90000 <-- 345/90077	
3	72323784	1	RING GEAR	
5	72324424	1	CRANKSHAFT ><6-13	
6	72323979	4	COUNTER-BALANCE WEIGHT	
7	72375160	1	TENSIONING PIN	ISO8752-8X18-A-ST
8	72323684	8	DISC	
9	72315513	8	SOCKET HEAD BOLT	DIN 912 M12X60-10.9
10	72323592	3	PLUG	
11	72323572	3	DISC	
12	72324149	1	GEAR WHEEL	
13	72375317	1	CYLINDER PIN	DIN 7-8M6X45-ST50K
18	72324426	1	V BELT SHEAVE	
19	72323687	1	DISC	
20	72323571	1	WAISTED SHANK BOLT	



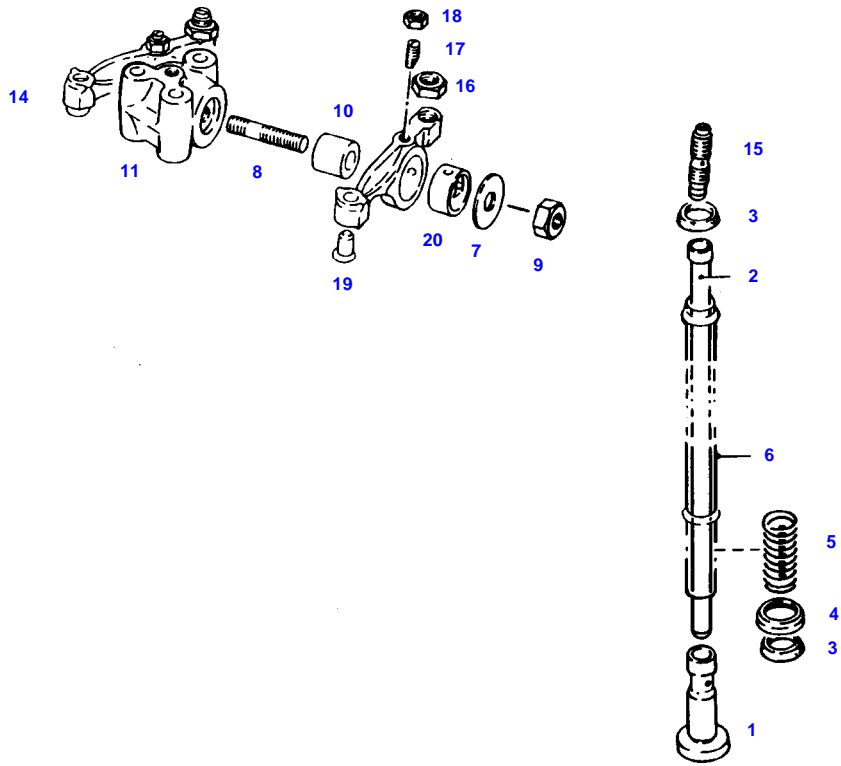
5457

Item	Part Number	Qty	Description Comments	Technical Specification
1	72324460	3	PISTON ><2-7 100,00 MM	
	72324462	3	PISTON ><2-7 100,50 MM	
2			NOT AVAILABLE IN SINGLE PARTS	
3	72311094	6	LOCK WASHER	DIN 472-35X1,5
4	72324474	3	PISTON RING KIT 100,00 MM CHAMFER PIST. RING 2,50MM U/MKME-CHAMF. RING 5,00MM ><5-7	
	72333445	3	PISTON RING KIT 100,00 MM CHAMFER PIST. RING 2,00MM U/MKME-CHAMF. RING 3,50MM	
	72324219	3	PISTON RING KIT ><5-7 100,50 MM	
5	72333446	3	KEYSTONE RING 100,00 MM	
	72323599	3	KEYSTONE RING 100,50 MM	
6	72323634	3	TAPERED COMPRESSION RING 100,00 MM	
	72323600	3	TAPERED COMPRESSION RING 100,50 MM	
7			NOT AVAILABLE IN SINGLE PARTS 100,00 MM	
	72324410	3	GROOVED PISTON RING 100,50 MM	
10	72478326	3	PISTON ROD ><11-13	
11	72324484	6	HEXAGONAL HEAD BOLT L=65,00 MM	
	72426149	6	HEXAGONAL HEAD BOLT L=62,50 MM	
12	72323845	3	FIXING PIN	
13	72324343	3	PISTON BUSH	
14	72415974	3	CONNECTING ROD BEARING 60,00 MM	
	72415977	3	CONNECTING ROD BEARING 59,75 MM	
	72415978	3	CONNECTING ROD BEARING 59,50 MM	
	72323927	3	CONNECTING ROD BEARING FOR STEEL CRANKSHAFT 59,25 MM	



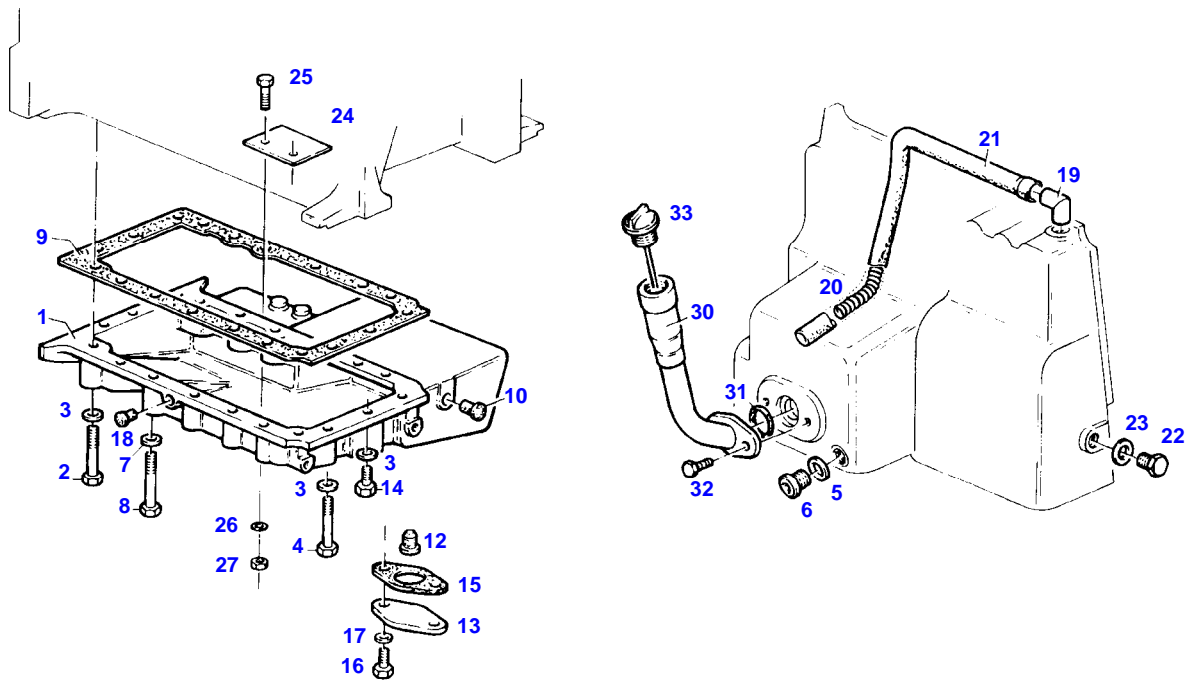
7238

Item	Part Number	Qty	Description Comments
1	72323742	1	CAMSHAFT
2	72324337	1	DISC
3	72324159	1	COMPRESSION SPRING
4	72323827	1	START-UP CAP
5			SEE ELECTRICAL SYSTEM TRANSMITTER



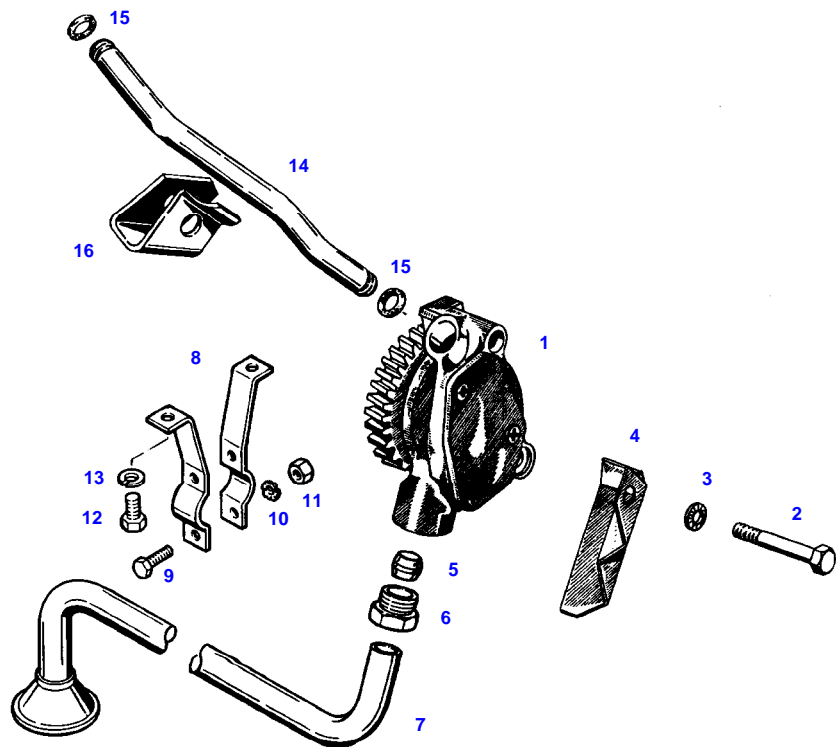
5463

Item	Part Number	Qty	Description Comments	Technical Specification
1	72324362	6	VALVE TAPPET	
2	72324428	6	BUMPER	
3	72324064	12	SEALING WASHER	
4	72324363	6	CAP	
5	72324360	6	COIL SPRING	
6	72324364	6	SHIELD PIPE	
7	72323681	6	DISC	
8	72313777	6	STUD BOLT	DIN 939 M10X35-8.8
9	72313272	6	NUT	DIN 934 M10-8A3L
10	72324161	6	BUSH	
11	72324359	3	ROCKER ARM SUPPORT	
14	72324142	6	ROCKER ARM ><15-20	
15	72324333	6	ADJUSTING SCREW	
16	72372876	6	NUT	DIN 936 M10X1-17H
17	72324355	6	OIL NOZZLE	
18	72313266	6	NUT	DIN 934 M6-8A3L
19	72324137	6	CLEVIS PIN	
20	72324160	6	BUSH	



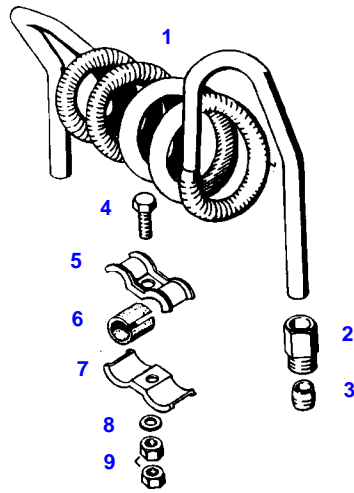
3665

Item	Part Number	Qty	Description Comments	Technical Specification
1	72407979	1	OIL PAN <>	
	72373939	1	STUD BOLT	DIN 835-M16X185-10.9
	72313282	1	NUT	DIN 934 M16-10
	72315057	1	SPLIT WASHER	FWN 65208-16-A3L
2	72374149	3	HEXAGONAL HEAD BOLT	DIN 931 M8X110-8.8
3	72311788	16	DISC	DIN 125-8,4-ST.A3L
4	72374145	7	HEXAGONAL HEAD BOLT	DIN 931 M8X90 GWA-10.9
5	72315101	1	SEALING WASHER	DIN 7603 A22X27-CU
6	72315442	1	PLUG	DIN 908 M22X1,5-ST
7	72315087	3	SEALING WASHER	DIN 7603 A8X14-CU
8	72315528	3	HEXAGONAL HEAD BOLT	DIN 931 M8X130-8.8
9	72324309	1	SEAL	
10	72323549	1	LOCKING PLUG	
12	72323576	1	LOCKING PLUG	
13	72323558	1	BLANK FLANGE	
14	72315653	6	HEXAGONAL HEAD BOLT	DIN 933 M8 X 25-8.8A3L
15	72323519	1	SEAL	
16	72315680	2	HEXAGONAL HEAD BOLT	DIN 933 M10 X 25-8.8
17	72311789	2	DISC	DIN 125-10,5-ST.A3L
18	72323575	1	LOCKING PLUG	
19	72363802	1	PIPE BEND	
20	72316510	3	COMPRESSION SPRING	
	72316913	1	CABLE STRAP B360X705 NOT ILLUSTRATED	FWN 66650 B360X7,5-SW
21	72436284	1	HOSE 1X 900MM CUT TO LENGTH	L=1120 FWN65912-19X3-PVC-W-G
22	72315438	1	PLUG SCREW	DIN 908 M14X1,5-ST
23	72315094	1	SEALING WASHER	DIN 7603 A14X18-CU
24	72407981	1	BAFFLE PLATE	
25	72315657	2	HEXAGONAL HEAD BOLT	DIN 933 M8 X 30-8.8A3L
26	72315086	2	SEALING WASHER	DIN 7603 A8X11,5-CU
27	72313268	2	NUT	DIN 934 M8-8A3L
30	72363801	1	OIL FILLER NECK	
31	72376547	1	O-RING	44,2X3-FPM 70 FWN56402
32	72315679	2	HEXAGONAL HEAD BOLT	DIN 933 M10X20-8.8A3L
33	72407982	1	DIPSTICK	



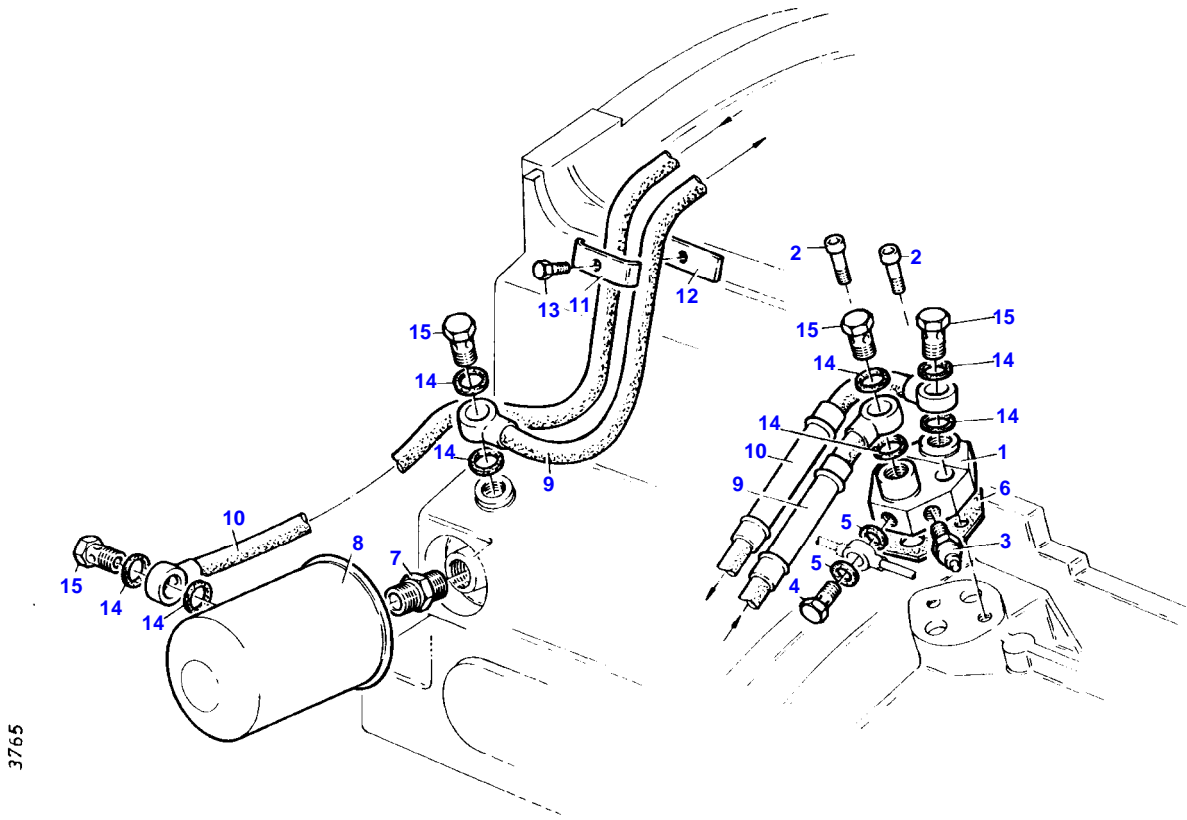
5468

Item	Part Number	Qty	Description Comments	Technical Specification
1	72324483	1	LUBRICATING OIL PUMP	
2	72374161	2	HEXAGONAL HEAD BOLT	DIN 931 M8X60 GWA-10.9
3	72375419	2	TOOTHLOCK WASHER	DIN 6797 A8,4-PHR
4	72324195	1	SCREENING PLATE	
5	72323700	1	DOUBLE CONICAL RING	
6	72323697	1	UNION SCREW	
7	72324399	1	SUCTION PIPE	
8	72324323	2	PIPE CLAMP	
9	72315626	2	HEXAGONAL HEAD BOLT	DIN 933-M6 X 16-8.8-A3L
10	72375425	2	TOOTHLOCK WASHER	DIN 6797 J6,4
11	72313266	2	NUT	DIN 934 M6-8A3L
12	72315645	2	HEXAGONAL HEAD BOLT	DIN 933 M8 X 12-8.8A3L
13	72315053	2	SPLIT WASHER	FWN 65208-8-A3L
14	72324228	1	BOOST PIPE	
15	72323644	2	O-RING	
16	72324088	1	CLIP PIN ENG.NO. --> 7 262 624 <> <>	
	72324090	1	SOCKET HEAD BOLT	
	72324457	1	DISC	

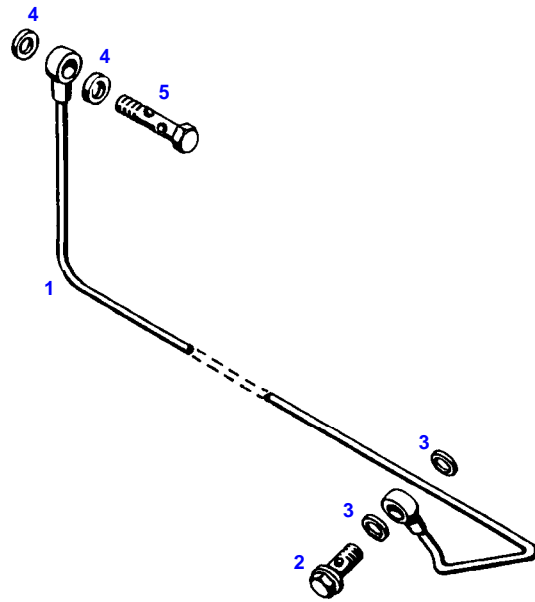


5462

Item	Part Number	Qty	Description Comments	Technical Specification
1	72324396	1	FINNED SPIRAL PIPE	
2	72344380	2	CONNECTING NUT	
3	72323699	2	DOUBLE CONICAL RING	
4	72315636	2	HEXAGONAL HEAD BOLT	DIN 933 M6X40-8.8A3L
5	72324319	2	CLIP	
6	72323701	4	THIMBLE	
7	72324320	2	CLIP	
8	72323680	2	DISC	
9	72313266	4	NUT	DIN 934 M6-8A3L

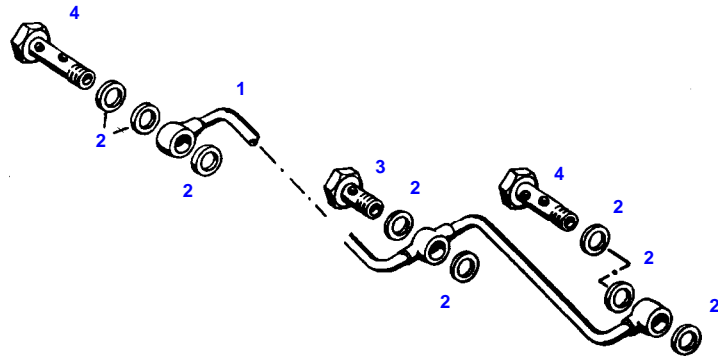


Item	Part Number	Qty	Description Comments	Technical Specification
1	72403275	1	ADAPTER	
2	72315496	2	SOCKET HEAD BOLT	DIN 912 M10X35-8.8
3	72380896	1	OIL PRESSURE SENSOR	
4	72315807	1	BANJO BOLT	DIN 7643-8-3-A3L
5	72315087	2	SEALING WASHER	DIN 7603 A8X14-CU
6	72324454	1	SEAL	
7	72324068	1	DOUBLE NIPPLE	
8	72339038	1	OIL FILTER	
9	72324404	1	OIL LINE	
10	72324403	1	OIL LINE	
11	72324405	1	CLIP	
12	72324406	1	PLATE	
13	72315635	1	HEXAGONAL HEAD BOLT	DIN 933 M6X35-8.8A3L
14	72315104	8	SEALING WASHER	DIN 7603 A26X31-CU
15	72315811	4	BANJO BOLT	DIN 7643-22-3-A3L



7979

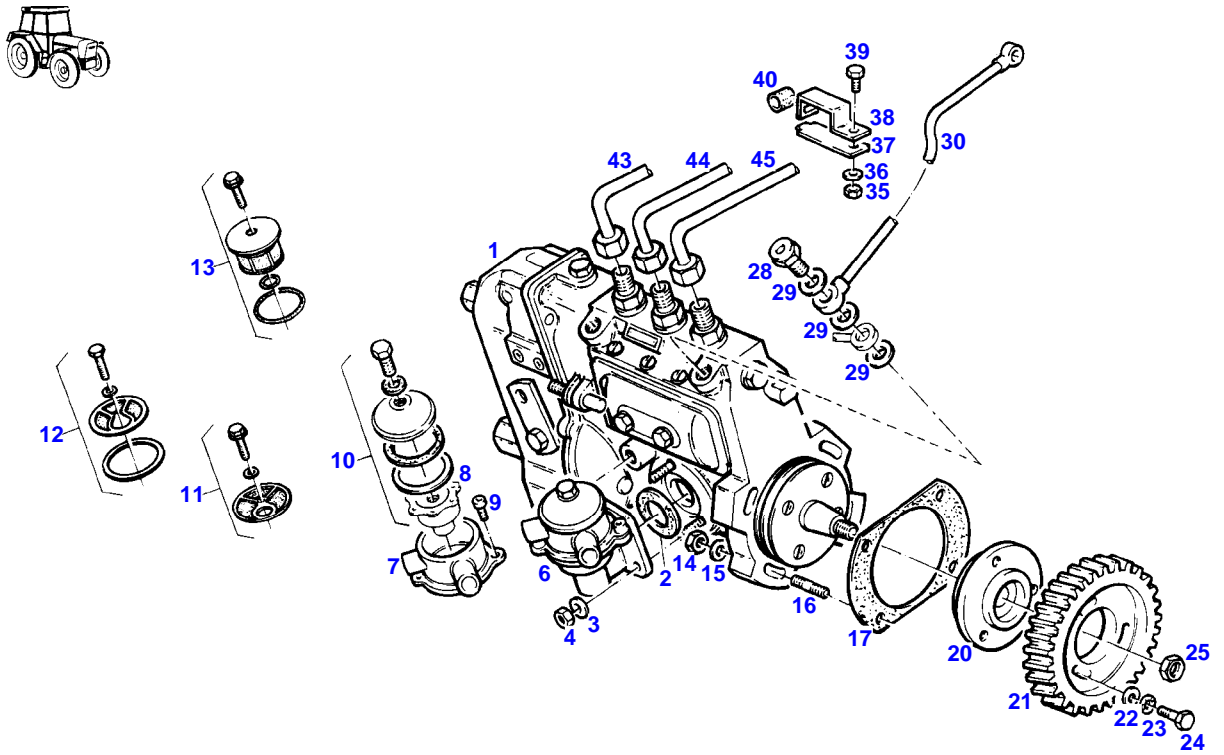
Item	Part Number	Qty	Description Comments	Technical Specification
1	72324401	1	LUBE OIL LINE	
2	72324022	1	BANJO BOLT	
3	72315088	2	SEALING WASHER	DIN 7603 A10X13,5-CU
4	72315090	2	SEALING WASHER	DIN 7603 A12X15,5-CU
5	72323517	1	BANJO BOLT	



5474

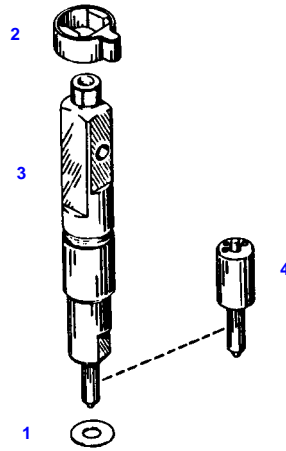
Item	Part Number	Qty	Description Comments	Technical Specification
1	72323942	1	LEAKAGE OIL LINE	
2	72315086	8	SEALING WASHER	DIN 7603 A8X11,5-CU
3	72344394	1	BANJO BOLT	
4	72344393	2	BANJO BOLT	

GT 345GT (345/00001-07000 & 90001-99999)
10618



10618

Item	Part Number	Qty	Description Comments	Technical Specification
1	72324269	1	INJECTION PUMP ><2-10	
2	72323645	1	SEAL	
	72328694	1	MOLDED SEAL PIERBURG	
			NOT AVAILABLE IN SINGLE PARTS BD - TORINO	
3	72315052	3	SPLIT WASHER	FWN 65208-6-A3L
4	72313266	3	NUT	DIN 934 M6-8A3L
6	72328691	1	FUEL PUMP PIERBURG ><7-10 <-- F150.207.710.013 1X	
	72451618	1	FUEL PUMP BD - TORINO ><2	
7			NOT AVAILABLE IN SINGLE PARTS	
8	72323712	1	REPAIR KIT ENG.NO. ><9+10 -->7642 684	
9	72373594	6	SOCKET HEAD BOLT	DIN 84 M4X12-4.8-A3L
10			NO LONGER AVAILABLE REPAIR KIT PIERBURG	
	72437162	1	REPAIR KIT BD - TORINO ><2	
11	72324495	1	REPAIR KIT IMSA ENG.NO. <-- 7642 685	
12			NO SPARE PART	
13	72333472	1	REPAIR KIT IMSA	
14	72372811	4	NUT	DIN 934 M10-10A3L
15	72311789	4	DISC	DIN 125-10,5-ST.A3L
16	72374646	4	STUD BOLT	DIN 939 M10X30-8.8
17	72324486	1	SEAL	
20	72324063	1	HUB	
21	72323957	1	GEAR WHEEL	
22	72323665	3	DISC	
23	72317121	3	SPRING WASHER	DIN 137 B8-MECH.VZK
24	72374801	3	HEXAGONAL HEAD BOLT	DIN 961 M8X1X25-8.8A3L
25	72313277	1	NUT	DIN 934-M12-10-A3L
28	72324065	1	VALVE	
29	72315095	3	SEALING WASHER	DIN 7603 A14X20-CU
30	72324500	1	SPILL LINE	
35	72313266	1	NUT	DIN 934 M6-8A3L
36	72315052	1	SPLIT WASHER	FWN 65208-6-A3L
37	72323593	1	END PLATE	
38	72323537	1	PIPE CLAMP	
39	72315629	1	HEXAGONAL HEAD BOLT	DIN 933 M6 X 12-8.8A3L
40	72324367	2	THIMBLE	
43	72324445	1	INJECTION LINE	
44	72324446	1	INJECTION LINE	
45	72324447	1	INJECTION LINE	



5477



Suggest:

For more complete manuals. Please go to the home page.

<https://www.ebooklibonline.com>

If the above button click is invalid. Please download this document first, and then click the above link to download the complete manual.

Thank you so much for reading

Fendt

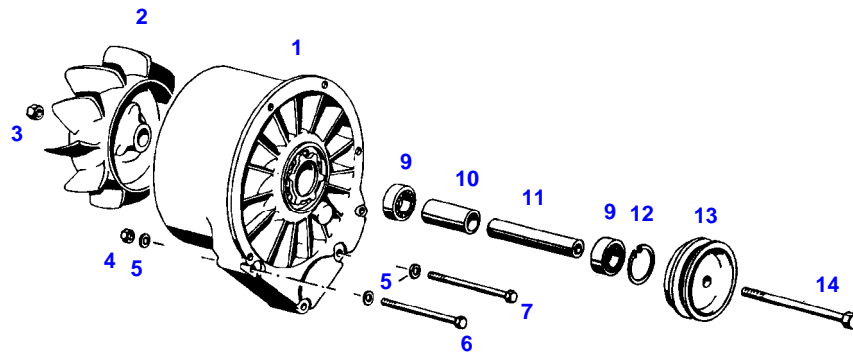
GT 345GT (345/00001-07000 & 90001-99999)

F345000

INJECTOR VALVE

Page01-0029

Item	Part Number	Qty	Description Comments
1	72344305	3	SEALING WASHER
2	72323916	3	BUSH
3	72324074	3	INJECTOR
4	72324429	3	INJECTION NOZZLE



5478

<https://www.ebooklibonline.com>

Hello dear friend!

Thank you very much for reading.

Enter the link into your browser.

The full manual is available for immediate download.

<https://www.ebooklibonline.com>