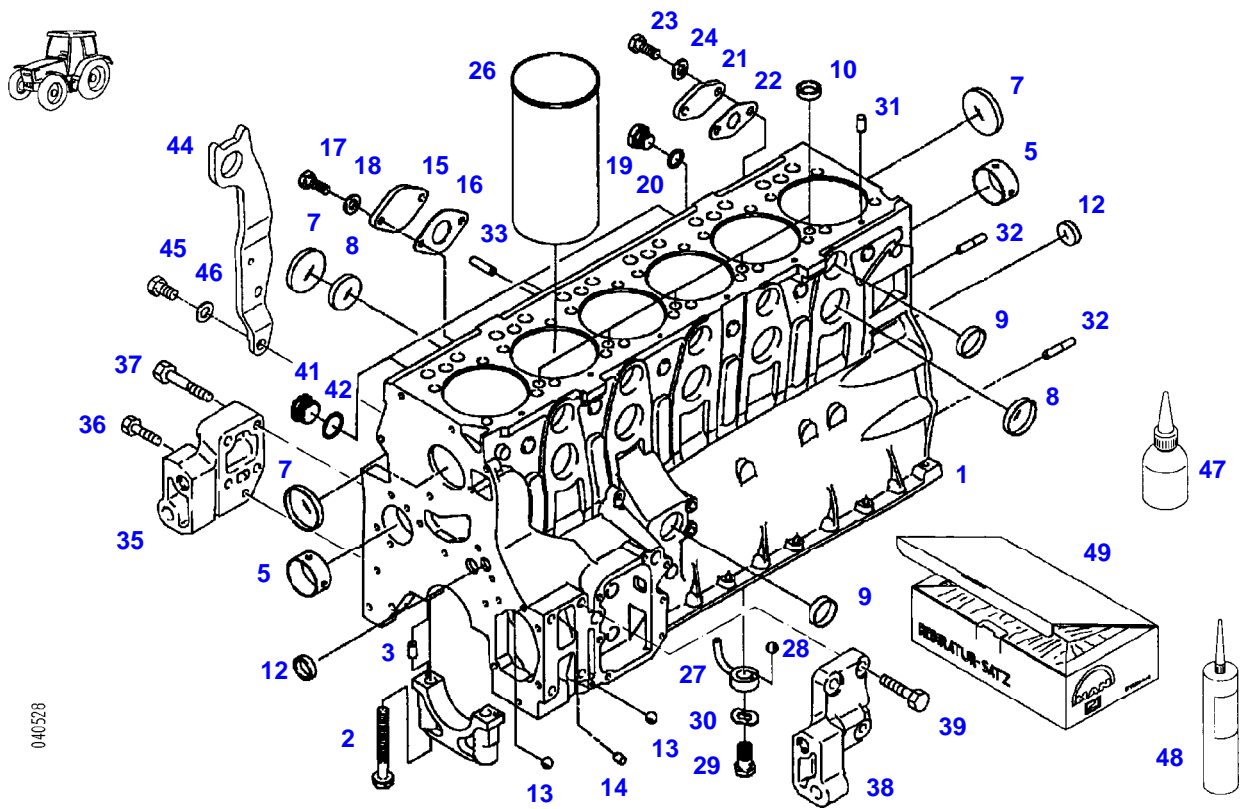


<b>Page Number</b>	<b>Page Title</b>	<b>Page Reference</b>
01-000-TOC	ENGINE, FUEL AND EXHAUST SYSTEM	01-000-TOC
02-000-TOC	AXLES	02-000-TOC
03-000-TOC	STEERING SYSTEM	03-000-TOC
04-000-TOC	DRIVE TRAIN SYSTEM	04-000-TOC
05-000-TOC	COMPRESSED AIR SYSTEM	05-000-TOC
06-000-TOC	HYDRAULIC SYSTEM	06-000-TOC
07-000-TOC	ELECTRICAL SYSTEM	07-000-TOC
08-000-TOC	CAB	08-000-TOC
09-000-TOC	AIR CONDITIONING AND HEATING SYSTEM	09-000-TOC
10-000-TOC	CHASSIS	10-000-TOC
11-000-TOC	WHEELS	11-000-TOC
12-000-TOC	IMPLEMENT LIFT SYSTEM FRONT	12-000-TOC
13-000-TOC	IMPLEMENT LIFT SYSTEM REAR	13-000-TOC
14-000-TOC	ACCESSORIES	14-000-TOC

FAVORIT 920 (920/00101-00400 & 01001-03000)  
40528



040528

Item	Part Number	Qty	Description Comments	Technical Specification
	72431947	1	SHORT ENGINE	
1	72311577	1	CRANKCASE ><2-24,41,42	
2	72315380	14	WASHER HEAD BOLT	
3	72313719	14	CYLINDER PIN	
5	72316153	4	BEARING CUP 55,07MM	
	72310225	4	BEARING CUP 55,10MM	
7	72417059	8	COVER 62,20MM	
	72311421	8	COVER 63,00MM	
8	72311422	11	COVER 50,20MM	
	72311423	11	COVER 51,00MM	
9	72311424	6	COVER 40,20MM	
	72311425	6	COVER 41,00MM	
10	72311426	5	COVER	
12	72311432	2	COVER	
13	72310168	2	BALL	
14	72314696	1	SEALING PLUG	
15	72312123	1	BLANK FLANGE	
16	72312258	1	SEAL	
17	72315630	2	HEXAGONAL HEAD BOLT	DIN 933 M6X18-8.8A3L
18	72311787	2	DISC	DIN 125-6,4-ST.A3L
19	72315799	1	PLUG	DIN 7604 AM14X1,5-A3L
20	72315094	1	SEALING WASHER	DIN 7603 A14X18-CU
21	72312125	1	FLANGE	
22	72312268	1	SEAL	
23	72315650	2	HEXAGONAL HEAD BOLT	DIN 933 M8 X 20-8.8A3L
24	72311788	2	DISC	DIN 125-8,4-ST.A3L
26	72313100	6	SLEEVE BUSHING	
	72431672	6	CYLINDER LINER COLLAR OVERSIZE 0.20MM	
27	72313230	6	OIL SPLASH NOZZLE ><28	
28			NOT AVAILABLE IN SINGLE PARTS	
29	72317037	6	OIL PRESSURE VALVE	
30	72317123	6	SPRING WASHER	DIN 137 B12-ZNPHR
31	72313719	6	CYLINDER PIN	
32	72313721	2	CENTERING PIN	
33	72313829	1	TENSIONING PIN	ISO8752-8X32-A-ST
35	72428719	1	ENGINE SUPPORT	
36	72315686	1	HEXAGONAL HEAD BOLT	DIN 933-M10X35-12.9
37	72315559	4	HEXAGONAL HEAD BOLT	DIN 931 M12X60 GWA-10.9
38	72428720	1	ENGINE SUPPORT	
39	72315713	4	HEXAGONAL HEAD BOLT	DIN 933 M12X40 GWA-10.9
41	72315445	3	PLUG	DIN 908 M30X1,5-ST
42	72315105	3	SEALING WASHER	DIN 7603 A30X36-CU
44	72312042	1	SUSPENSION EYE	
45	72315721	1	HEXAGONAL HEAD BOLT	DIN 933 M14X25-8.8A3L
46	72311792	1	DISC	DIN125-15-ST
47	72313159	1	ADHESIVE	LOCTITE 648 50ML
48	72311273	1	SEALING COMPOUND	TEROST-63S
49	72312365	1	SEAL KIT <>	
	72426464	24	HEX BOLT, WITH COLLAR	

**<https://www.ebooklibonline.com>**

Hello dear friend!

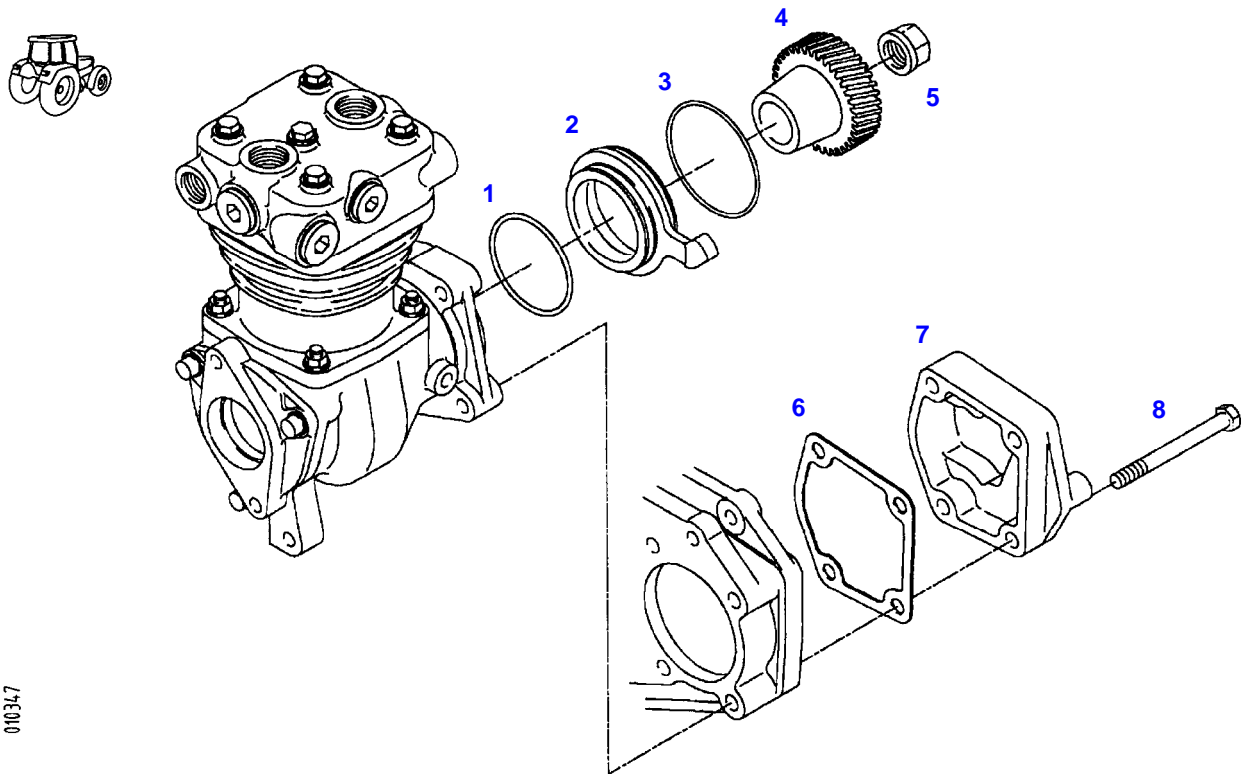
Thank you very much for reading.

Enter the link into your browser.

The full manual is available for immediate download.

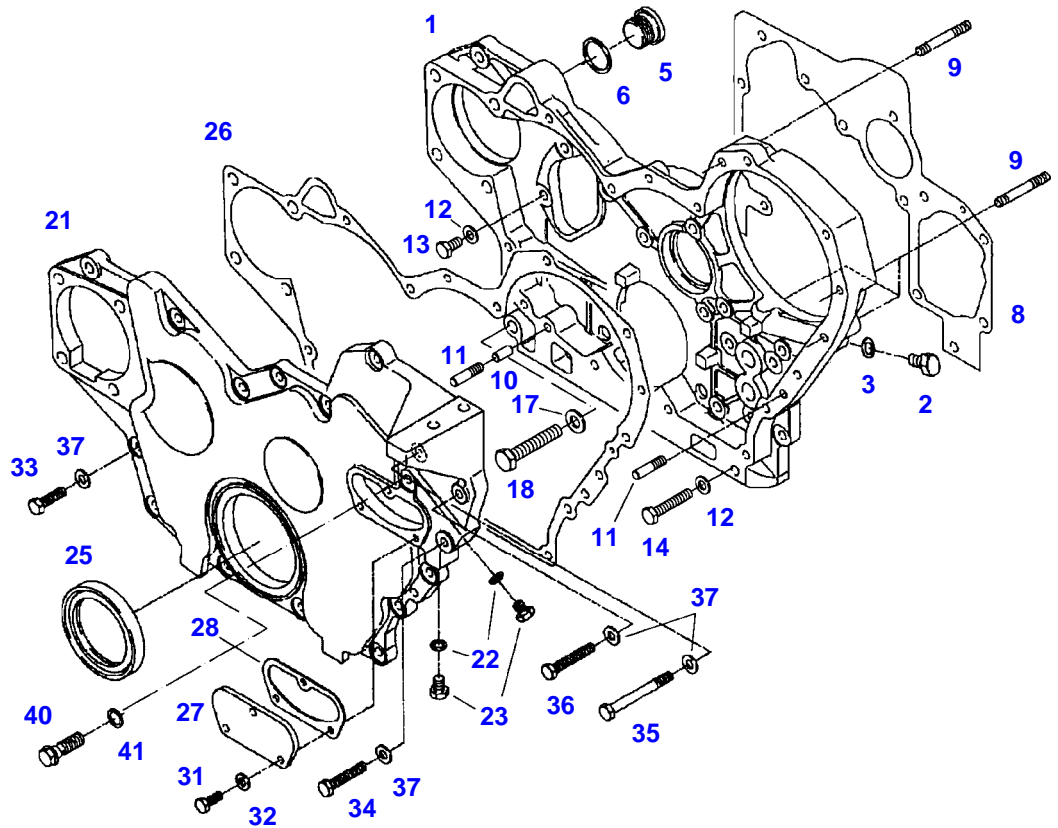
**<https://www.ebooklibonline.com>**

FAVORIT 920 (920/00101-00400 & 01001-03000)  
10347



Item	Part Number	Qty	Description Comments	Technical Specification
1	72313536	1	SEAL	
2	72312004	1	ECCENTRIC	
3	72313390	1	O-RING	
4	72417063	1	DRIVE GEAR	
5	72313333	1	WHEEL NUT	DIN74361-B20-8
6	72312269	1	SEAL	
7	72311433	1	COVER	
8	72315551	4	HEXAGONAL HEAD BOLT	DIN 931 M10X100-8.8

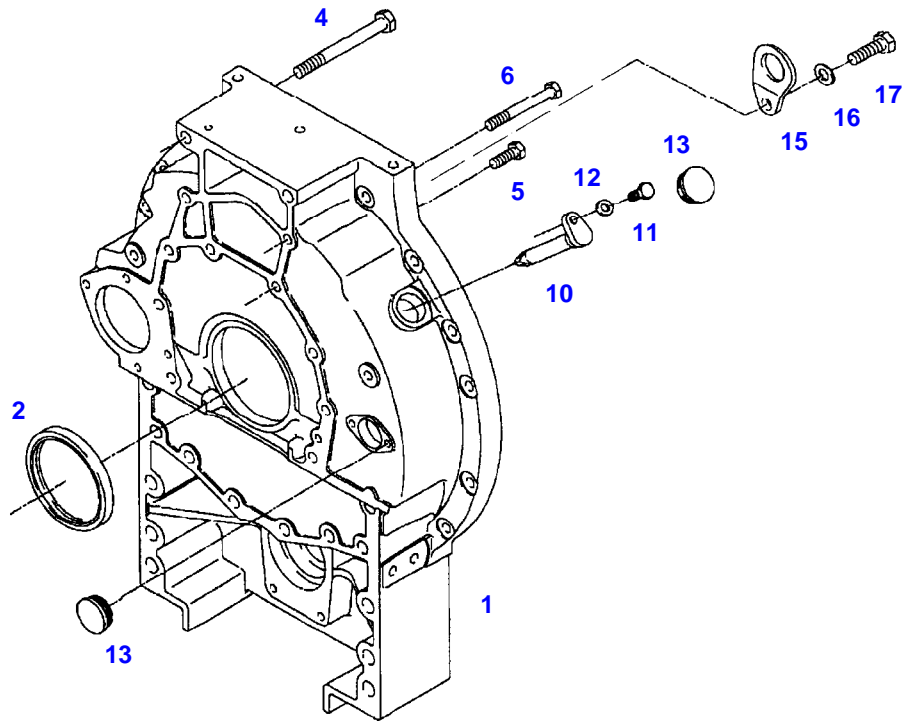
FAVORIT 920 (920/00101-00400 & 01001-03000)  
10139



010139

Item	Part Number	Qty	Description Comments	Technical Specification
1	72312752	1	CONTROL HOUSING ><2-6	
2	72315627	1	HEXAGONAL HEAD BOLT	DIN 933 M6X8-8.8A3L
3	72315084	1	SEALING WASHER	DIN 7603 A6X10-CU
5	72315442	1	PLUG	DIN 908 M22X1,5-ST
6	72315101	1	SEALING WASHER	DIN 7603 A22X27-CU
8	72312259	1	SEAL	
9	72313754	4	STUD BOLT	DIN 835-M8X25-8.8-ZNPHR3F
10	72313848	1	TENSIONING PIN	ISO8750-8X16-ST
11	72313720	2	CENTERING PIN	
12	72311788	12	DISC	DIN 125-8,4-ST.A3L
13	72315653	11	HEXAGONAL HEAD BOLT	DIN 933 M8 X 25-8.8A3L
14	72315529	1	HEXAGONAL HEAD BOLT	DIN 931 M8X50-8.8A3L
17	72311789	1	DISC	DIN 125-10,5-ST.A3L
18	72315544	1	HEXAGONAL HEAD BOLT	DIN 931 M10X50-8.8A3L
21	72311431	1	COVER ><22+23	
22	72315084	2	SEALING WASHER	DIN 7603 A6X10-CU
23	72315627	2	HEXAGONAL HEAD BOLT	DIN 933 M6X8-8.8A3L
25	72346310	1	SHAFT SEALING RINGS	
26	72312260	1	SEAL	
27	72311419	1	COVER	
28	72312261	1	SEAL	
31	72315625	3	HEXAGONAL HEAD BOLT	DIN 933 M6X16-8.8
32	72311787	3	DISC	DIN 125-6,4-ST.A3L
33	72315657	12	HEXAGONAL HEAD BOLT	DIN 933 M8 X 30-8.8A3L
34	72315665	1	HEXAGONAL HEAD BOLT	DIN 933 M8X45-8.8A3L
35	72315535	1	HEXAGONAL HEAD BOLT	DIN 931 M8X75 GWA-10.9
36	72315668	1	HEXAGONAL HEAD BOLT	DIN 933 M8X50-8.8A3L
37	72311788	15	DISC	DIN 125-8,4-ST.A3L
40	72315650	1	HEXAGONAL HEAD BOLT	DIN 933 M8 X 20-8.8A3L
41	72315087	1	SEALING WASHER	DIN 7603 A8X14-CU

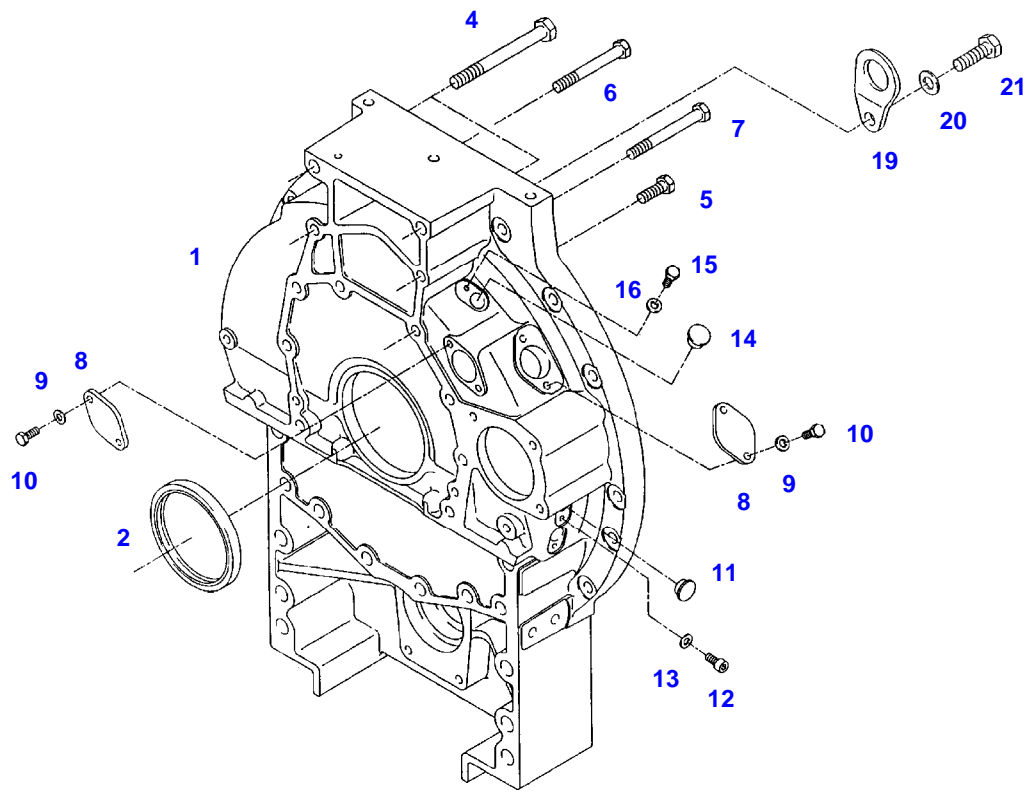
FAVORIT 920 (920/00101-00400 & 01001-03000)  
10340



010340

Item	Part Number	Qty	Description Comments	Technical Specification
			<-- 920/0101 --> 920/0300	
1	72347062	1	FLYWHEEL HOUSING ><2	
2	72315031	1	SHAFT SEALING RINGS	
4	72315580	2	HEXAGONAL HEAD BOLT	DIN931-M14X140-10.9-ZNPHR3F
5	72315710	8	HEXAGONAL HEAD BOLT	DIN 933-M12X35 GWA-10.9
6	72315567	2	HEXAGONAL HEAD BOLT	DIN 931 M12X100 GWA-10.9
10	72346286	1	POINTER	
11	72315625	1	HEXAGONAL HEAD BOLT	DIN 933 M6X16-8.8
12	72311787	1	DISC	DIN 125-6,4-ST.A3L
13	72314695	2	LOCKING PLUG	
15	72312041	1	EYE	
16	72311792	2	DISC	DIN125-15-ST
17	72315721	2	HEXAGONAL HEAD BOLT	DIN 933 M14X25-8.8A3L

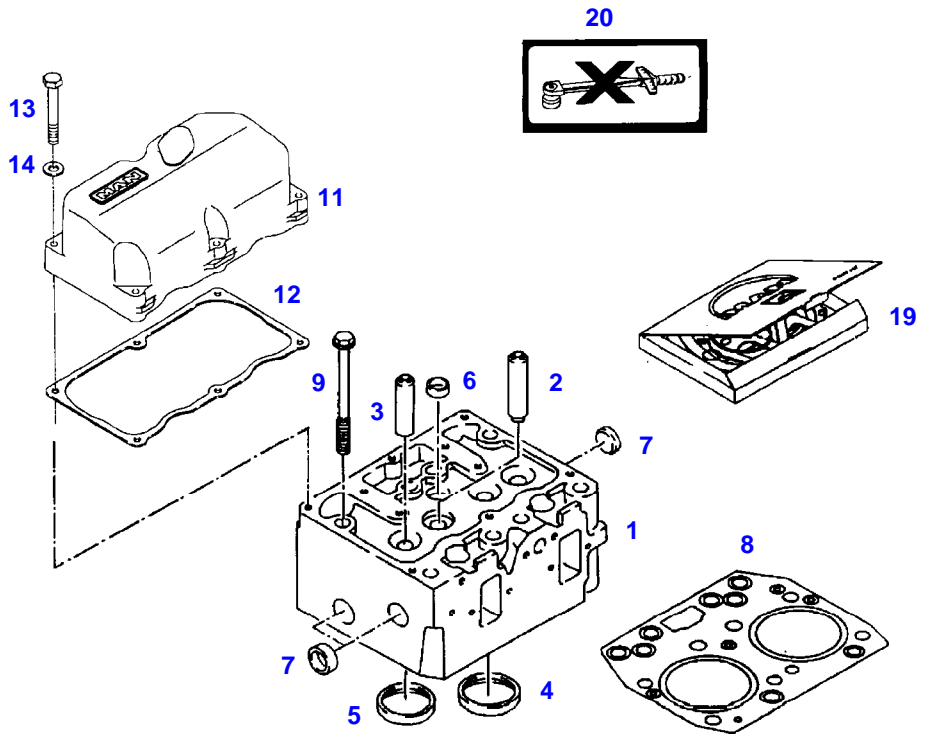
FAVORIT 920 (920/00101-00400 & 01001-03000)  
40412



040412

Item	Part Number	Qty	Description Comments	Technical Specification
			<-- 920/1001	
1	72415318	1	FLYWHEEL HOUSING ><2 ENG.NO. --> 162 8854 999 .... <> <>	
	72315084	1	SEALING WASHER	DIN 7603 A6X10-CU
	72315758	1	HEXAGONAL HEAD BOLT	DIN 933 M6X12 SK-8.8A3L
	72416967	1	PLUG	
	72315569	1	HEXAGONAL HEAD BOLT	DIN 931 M12X110 GWA-10.9
2	72315031	1	SHAFT SEALING RINGS	
4	72315580	2	HEXAGONAL HEAD BOLT	DIN931-M14X140-10.9-ZNPHR3F
5	72315710	8	HEXAGONAL HEAD BOLT	DIN 933-M12X35 GWA-10.9
6	72315567	1	HEXAGONAL HEAD BOLT	DIN 931 M12X100 GWA-10.9
7	72315567	1	HEXAGONAL HEAD BOLT ENG.NO. --> 162 8854 999 ....	DIN 931 M12X100 GWA-10.9
	72315569	1	HEXAGONAL HEAD BOLT ENG.NO. <-- 162 8855 001 ....	DIN 931 M12X110 GWA-10.9
8	72312124	2	BLANK FLANGE	
9	72311788	4	DISC	DIN 125-8,4-ST.A3L
10	72315653	4	HEXAGONAL HEAD BOLT	DIN 933 M8 X 25-8.8A3L
11	72346444	1	LOCKING PLUG	
12	72374017	1	SOCKET HEAD BOLT	DIN 912 M8X12-8.8
13	72315087	1	SEALING WASHER	DIN 7603 A8X14-CU
14	72416967	1	PLUG	
15	72315758	1	HEXAGONAL HEAD BOLT	DIN 933 M6X12 SK-8.8A3L
16	72315084	1	SEALING WASHER	DIN 7603 A6X10-CU
19	72312041	1	EYE	
20	72315721	2	HEXAGONAL HEAD BOLT	DIN 933 M14X25-8.8A3L
21	72311792	2	DISC	DIN125-15-ST

FAVORIT 920 (920/00101-00400 & 01001-03000)  
30051

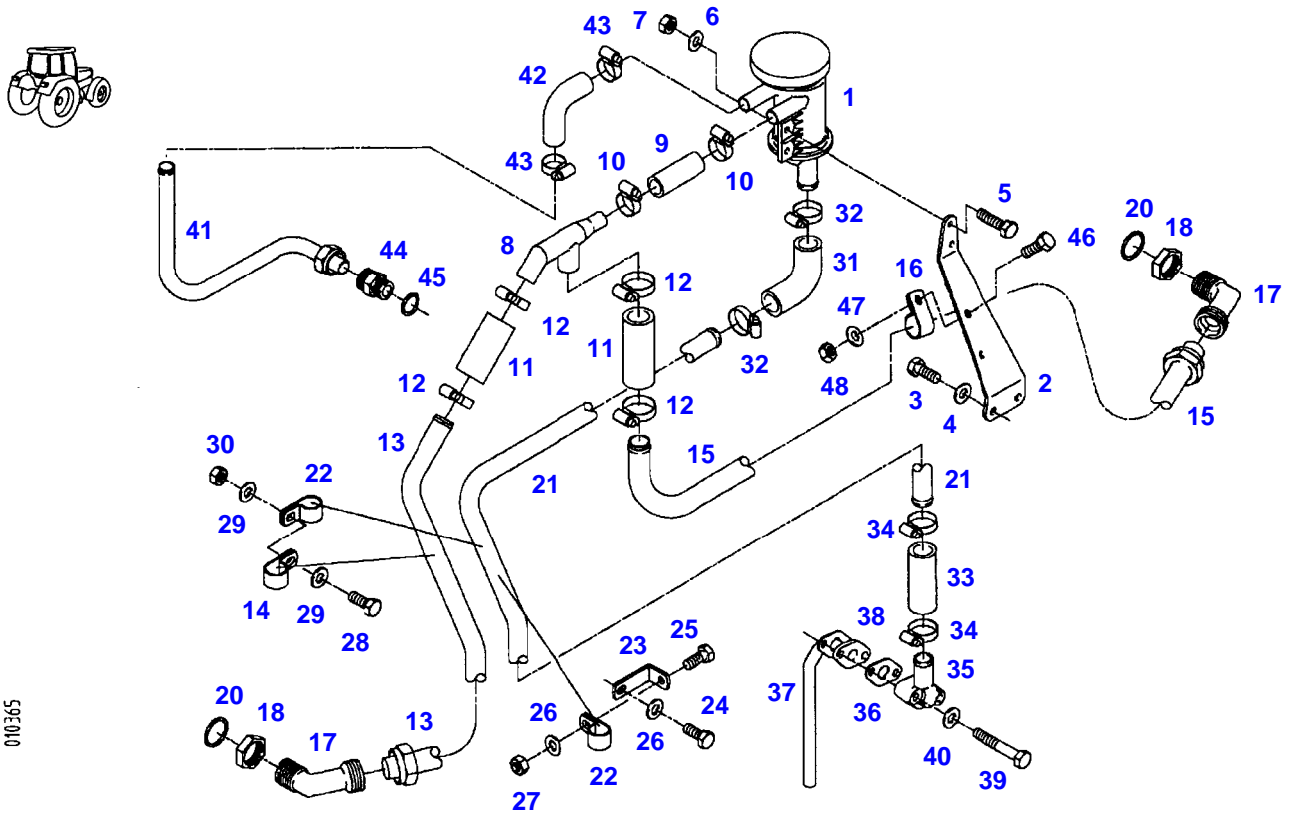


1500E0

## CYLINDER HEAD

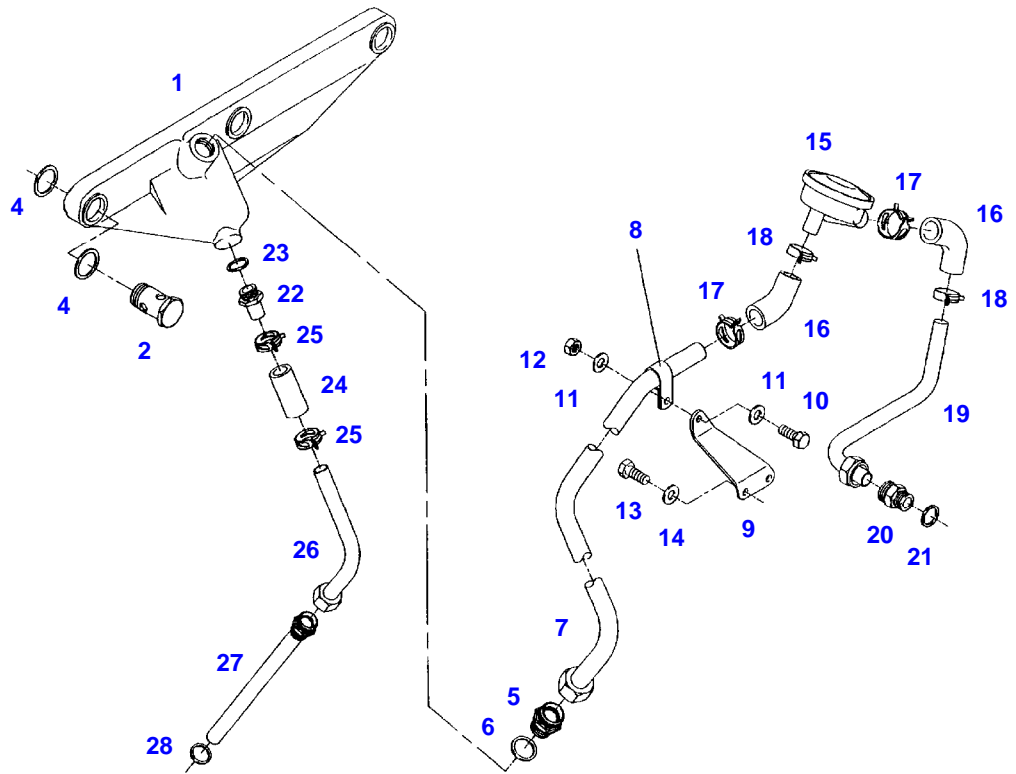
Item	Part Number	Qty	Description Comments	Technical Specification
1	72497995	3	CYLINDER HEAD ><2-7	
2	72310651	6	VALVE GUIDE 16,00MM INTAKE	
	72310652	6	VALVE GUIDE 16,25MM INTAKE	
3	72310653	6	VALVE GUIDE 16,00MM OUTLET	
	72310654	6	VALVE GUIDE 16,25MM OUTLET	
4	72315032	6	VALVE SEAT RING 51,11MM INTAKE	
	72315033	6	VALVE SEAT RING 51,31MM INTAKE	
5	72315034	6	VALVE SEAT RING 44,10MM OUTLET	
	72315035	6	VALVE SEAT RING 44,30MM OUTLET	
6	72311428	3	COVER	
7	72311429	9	COVER	
8	72312241	3	CYLINDER HEAD GASKET <>	
	72426464	8	HEX BOLT, WITH COLLAR	
9	72426464	24	HEX BOLT, WITH COLLAR MUST NOT BE RETIGHTENED SCREWS-TO BE USED ONCE ONLY	
11	72311630	3	CYLINDER HEAD COVER	
12	72317854	3	SEAL	
13	72315520	18	HEXAGONAL HEAD BOLT	DIN 931-M6X40-10.9-ZNPHR3F
14	72311787	18	DISC	DIN 125-6,4-ST.A3L
19	72312366	3	SEAL KIT <>	
	72426464	8	HEX BOLT, WITH COLLAR	
20	72423094	1	MARKING PLATE	

FAVORIT 920 (920/00101-00400 & 01001-03000)  
10365



Item	Part Number	Qty	Description Comments	Technical Specification
			<-- 920/0101 --> 920/0300	
			<-- 920/1001 --> 920/1268	
			<-- 920/1270 --> 920/1276	
			<-- 920/1278 --> 920/1282	
			<-- 920/1284 --> 920/1284	
1	72317041	1	OIL SEPARATOR VALVE	
2			NO LONGER AVAILABLE	
3	72315651	2	HEXAGONAL HEAD BOLT	DIN 933 M8X22-8.8A3L
4	72311788	2	DISC	DIN 125-8,4-ST.A3L
5	72315631	2	HEXAGONAL HEAD BOLT	DIN 933 M6 X 20-8.8A3L
6	72311828	2	DISC	DIN 7349-6,4-ST.A3L
7	72313266	2	NUT	DIN 934 M6-8A3L
8	72312014	1	BREATHER MANIFOLD	
9	72450423	1	PRESSURE HOSE 1X 100MM CUT TO LENGTH	L=120
10	72611218	2	CLIP	
11	72450424	1	PRESSURE HOSE 1X 200MM CUT TO LENGTH	L=220
12	72316561	4	CLIP	
13	72313052	1	BREATHER LINE ><14	
14	72311229	1	PIPE CLAMP	
15	72313053	1	BREATHER LINE ><16	
16	72311229	1	PIPE CLAMP	
17	72312015	2	ANGULAR ADAPTER	
18	72313257	2	NUT	
20	72315105	2	SEALING WASHER	DIN 7603 A30X36-CU
21	72316954	1	OIL RETURN LINE ><22	
22	72311210	2	PIPE CLAMP	
23	72316657	1	RETAINER	
24	72315650	1	HEXAGONAL HEAD BOLT	DIN 933 M8 X 20-8.8A3L
25	72315650	1	HEXAGONAL HEAD BOLT	DIN 933 M8 X 20-8.8A3L
26	72311788	2	DISC	DIN 125-8,4-ST.A3L
27	72313268	1	NUT	DIN 934 M8-8A3L
28	72315650	1	HEXAGONAL HEAD BOLT	DIN 933 M8 X 20-8.8A3L
29	72311788	2	DISC	DIN 125-8,4-ST.A3L
30	72313268	1	NUT	DIN 934 M8-8A3L
31	72313642	1	MOLDED PIECE	
32	72608303	2	CLIP	
33	72430361	1	PRESSURE HOSE 1X 100MM CUT TO LENGTH	L=240 FWN66041-DN22-B10
34	72608303	2	CLIP	
35	72312122	1	FLANGE	
36	72312256	1	SEAL	
37	72316955	1	OIL RETURN LINE	
38	72312256	1	SEAL	
39	72315665	2	HEXAGONAL HEAD BOLT	DIN 933 M8X45-8.8A3L
40	72311788	2	DISC	DIN 125-8,4-ST.A3L
41	72313054	1	BREATHER LINE	
42	72435869	1	RUBBER ARCH	
43	72611218	2	CLIP	
44	72316291	1	THREADED STUD	
45	72315101	1	SEALING WASHER	DIN 7603 A22X27-CU
46	72315650	1	HEXAGONAL HEAD BOLT	DIN 933 M8 X 20-8.8A3L
47	72311788	1	DISC	DIN 125-8,4-ST.A3L
48	72313268	1	NUT	DIN 934 M8-8A3L

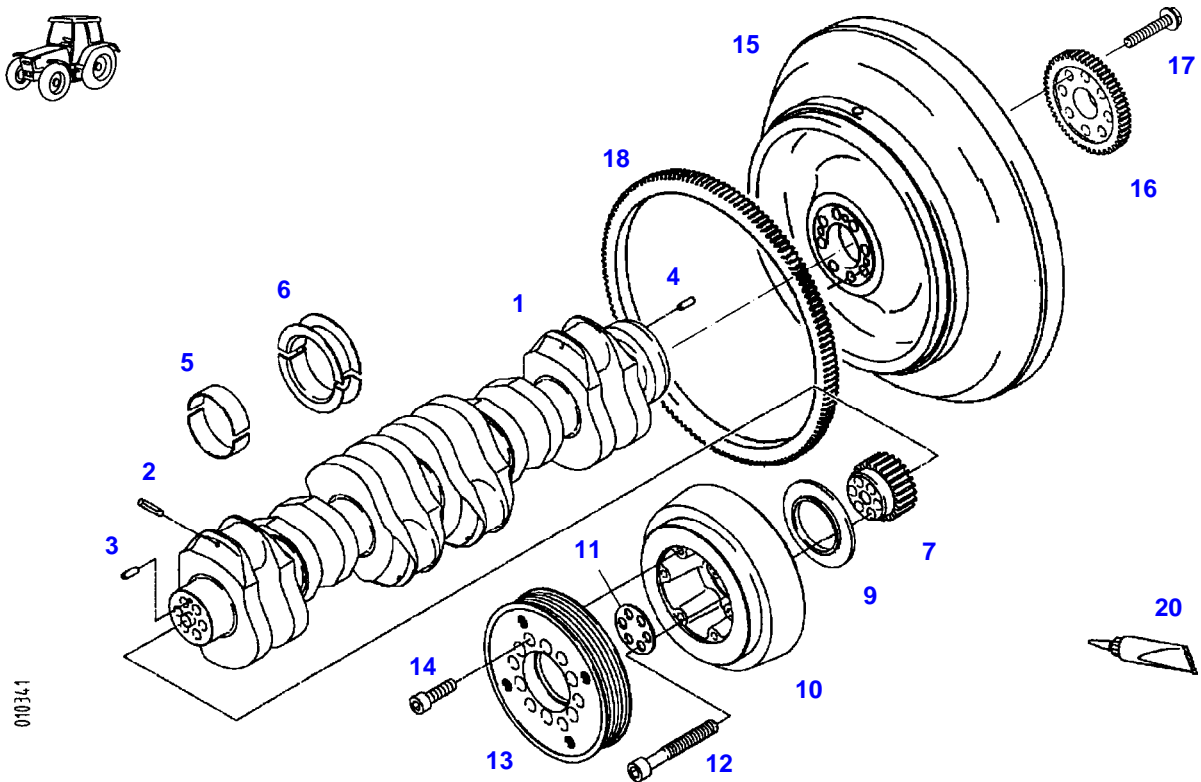
FAVORIT 920 (920/00101-00400 & 01001-03000)  
40597



040597

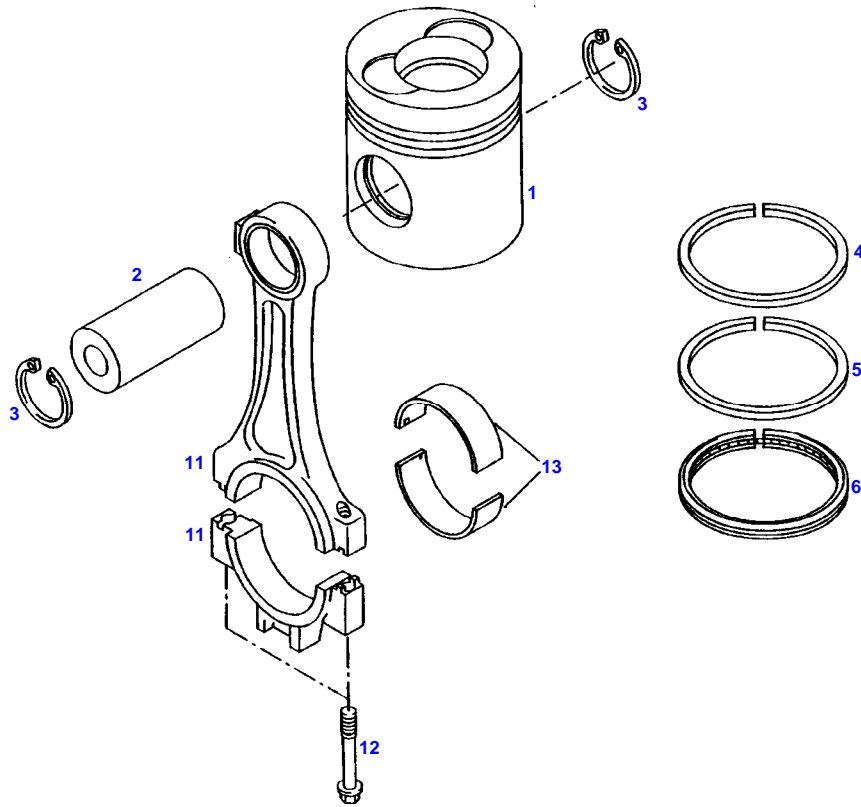
Item	Part Number	Qty	Description Comments	Technical Specification
			<-- 920/1269 --> 920/1269	
			<-- 920/1277 --> 920/1277	
			<-- 920/1283 --> 920/1283	
			<-- 920/1285	
1	72422677	1	BREATHER MANIFOLD	
2	72417073	3	BANJO BOLT	
4	72417074	6	SEALING WASHER	
5	72417169	1	THREADED STUD	
6	72315104	1	SEALING WASHER	DIN 7603 A26X31-CU
7	72422679	1	BREATHER LINE ><8	
8	72311210	1	PIPE CLAMP	
9	72422680	1	RETAINER	
10	72315651	1	HEXAGONAL HEAD BOLT	DIN 933 M8X22-8.8A3L
11	72311788	2	DISC	DIN 125-8,4-ST.A3L
12	72313268	1	NUT	DIN 934 M8-8A3L
13	72315651	2	HEXAGONAL HEAD BOLT	DIN 933 M8X22-8.8A3L
14	72311788	2	DISC	DIN 125-8,4-ST.A3L
15	72317038	1	CONTROL VALVE	
16	72417078	2	HOSE PIECE	
17	72316562	2	CLIP	
18	72611218	2	CLIP	
19	72422681	1	BREATHER LINE	
20	72417075	1	THREADED STUD	
21	72315101	1	SEALING WASHER	DIN 7603 A22X27-CU
22	72417079	1	ADAPTER NIPPLE	
23	72315101	1	SEALING WASHER	DIN 7603 A22X27-CU
24	72312631	1	HOSE	
25	72611218	2	CLIP	
26	72422683	1	OIL RETURN LINE	
27	72417080	1	OIL RETURN LINE	
28	72315102	1	SEALING WASHER	DIN 7603 A24X29-CU

FAVORIT 920 (920/00101-00400 & 01001-03000)  
10341



Item	Part Number	Qty	Description Comments	Technical Specification
1	72311579	1	CRANKSHAFT ><2-4	
2	72313722	6	DOWEL PIN	
3	72313817	1	TENSIONING PIN	ISO8752-6X16-A-ST-ZNPHR10F-KOE
4	72313849	1	TENSIONING PIN	ISO8750-8X24-ST
5	72310327	6	MAIN BEARING 77,00MM	
	72310328	6	MAIN BEARING 76,90MM	
	72310329	6	MAIN BEARING 76,75MM	
	72310330	6	MAIN BEARING 76,50MM	
	72310331	6	MAIN BEARING 76,25MM	
	72310332	6	MAIN BEARING 76,00MM	
6	72310232	1	TIGHT-FIT BEARING 77,00MM	
	72310233	1	TIGHT-FIT BEARING 76,90MM	
	72310234	1	TIGHT-FIT BEARING 76,75MM	
	72310235	1	TIGHT-FIT BEARING 76,50MM	
	72416971	1	TIGHT-FIT BEARING 76,25MM	
	72416972	1	TIGHT-FIT BEARING 76,00MM	
7	72316540	1	CRANKSHAFT GEAR ENG.NO. --> 162 9031 999 <> <>	
	72416958	1	CAM WHEEL	
9	72315016	1	SPRAYER RING	
10	72311632	1	VIBRATION DAMPER	
11	72311934	1	DISC	
12	72315396	6	SOCKET HEAD BOLT	M14X1,5X105-12.9-PHR
13	72314868	1	V BELT SHEAVE	
14	72315495	6	SOCKET HEAD BOLT	DIN 912 M10X30-10.9
15	72347080	1	FLYWHEEL ><18 ENG.NO. --> 162 8634 999 ....	
	72312182	1	FLYWHEEL ><18 ENG.NO. <-- 162 8635 001 ....	
16	72414307	1	HUB ENG.NO. --> 162 8634 999 ....	
17	72347081	8	HEX BOLT, WITH COLLAR M14X1,5X70 ENG.NO. --> 162 8634 999 ....	
	72315372	8	HEX BOLT, WITH COLLAR M14X1,5X50 ENG.NO. <-- 162 8635 001 ....	
18	72312391	1	RING GEAR	
20	72311272	1	SEALING COMPOUND	

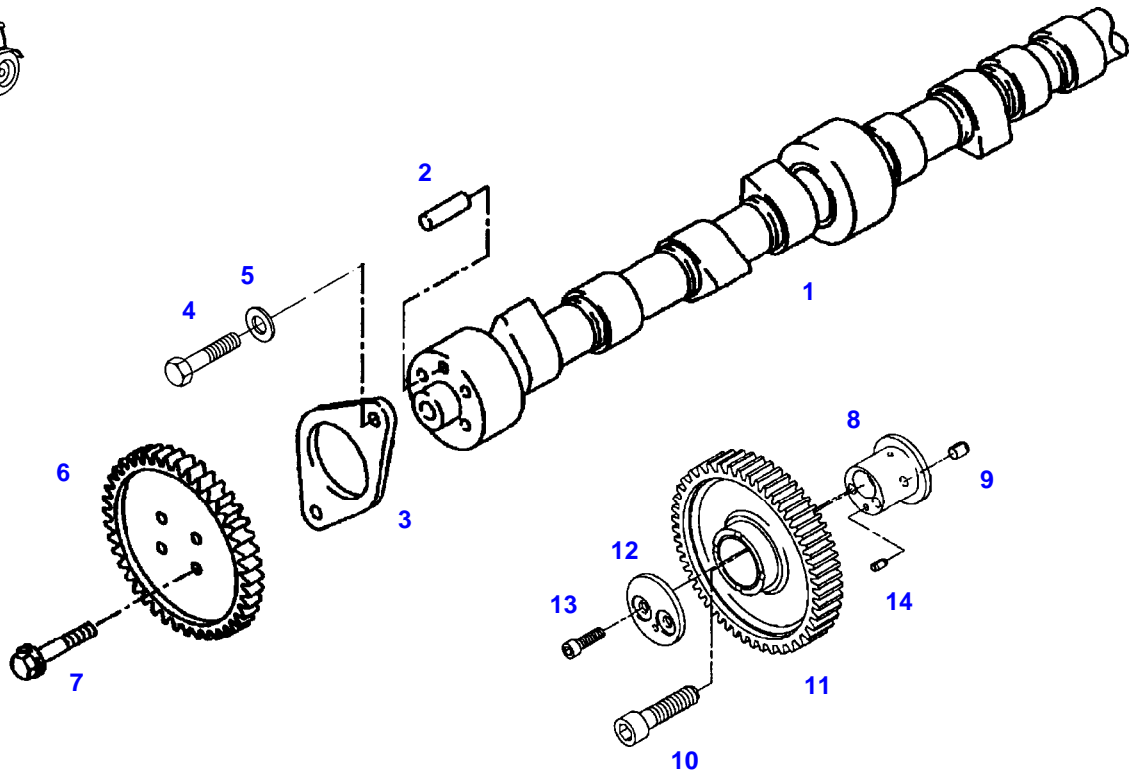
FAVORIT 920 (920/00101-00400 & 01001-03000)  
8735



8735

Item	Part Number	Qty	Description Comments	Technical Specification
1	72314357	6	PISTON ><2-6	
2			NOT AVAILABLE IN SINGLE PARTS	
3	72311095	12	LOCK WASHER	DIN 472-40X1,75
4	72315036	6	KEYSTONE RING	
5	72317292	6	TAPERED COMPRESSION RING	
6	72315017	6	WEDGE-SECTION RING S=4MM	
11	72311288	6	PISTON ROD PARALLEL CYLINDER CHANGE SETWISE ><12	
12	72414855	12	TORX SCREW REPLACE SCREWS SETWISE SCREWS-TO BE USED ONCE ONLY	
13	72317206	6	CONNECTING ROD BEARING 65,00MM	
	72310333	6	CONNECTING ROD BEARING 64,90MM	
	72310334	6	CONNECTING ROD BEARING 64,75MM	
	72310335	6	CONNECTING ROD BEARING 64,50MM	
	72310336	6	CONNECTING ROD BEARING 64,25MM	
	72310337	6	CONNECTING ROD BEARING 64,00MM	

FAVORIT 920 (920/00101-00400 & 01001-03000)  
10151



010151

Item	Part Number	Qty	Description Comments	Technical Specification
1	72310911	1	CAMSHAFT ><2	
2	72313859	1	CYLINDER PIN	DIN 7-8M6X18-ST50K
3	72312126	1	FLANGE	
4	72315642	2	HEXAGONAL HEAD BOLT	DIN 933 M8 X 16-8.8A3L
5	72311788	2	DISC	DIN 125-8,4-ST.A3L
6	72416958	1	CAM WHEEL ENG.NO. --> 162 9031 999 .... <> <>	
	72316540	1	CRANKSHAFT GEAR	
7	72315385	4	HEX BOLT, WITH COLLAR	
8	72310408	1	BOLT ><9,14	
9	72313847	1	TENSIONING PIN	ISO8750-8X10-ST
10	72315373	1	SOCKET HEAD BOLT	
11	72317157	1	INTERMEDIATE GEAR	
12	72317117	1	THRUST WASHER	
13	72315776	2	SOCKET HEAD BOLT	DIN 6912 M8X30-8.8
14	72313846	1	TENSIONING PIN	ISO8750-5X10-ST



**Suggest:**

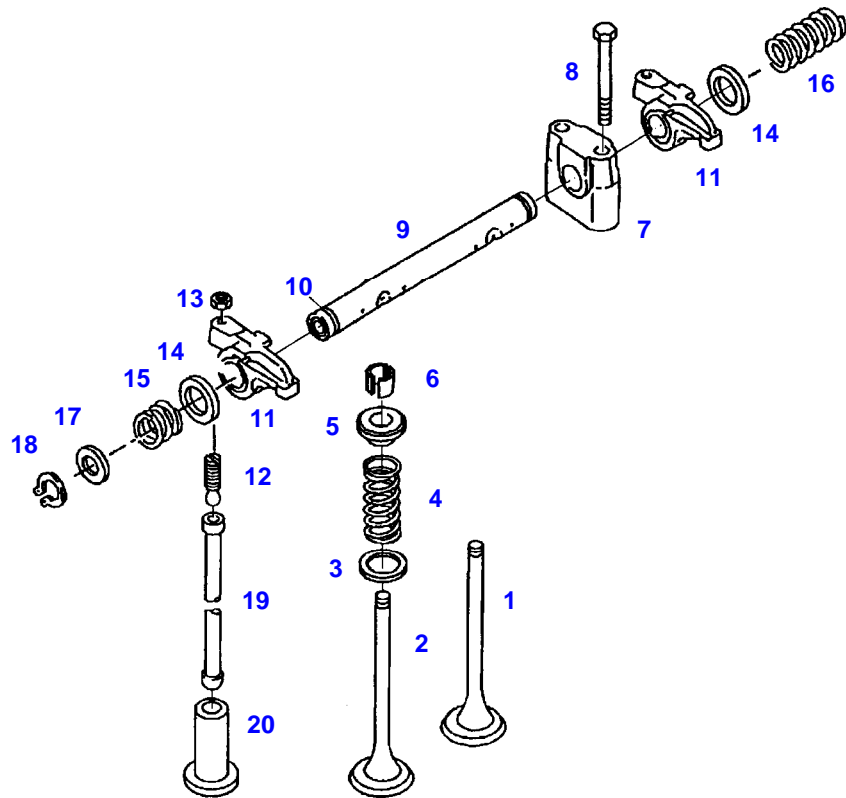
**For more complete manuals. Please go to the home page.**

**<https://www.ebooklibonline.com>**

**If the above button click is invalid. Please download this document first, and then click the above link to download the complete manual.**

**Thank you so much for reading**

FAVORIT 920 (920/00101-00400 & 01001-03000)  
10157



010157

Item	Part Number	Qty	Description Comments	Technical Specification
1	72317040	6	INTAKE VALVE	
2	72317039	6	OUTLET VALVE	
3	72311770	12	DISC	
4	72426516	12	VALVE SPRING	
5	72314931	12	VALVE SPRING RETAINER	
6	72311279	24	VALVE SPRING KEY	
7	72310123	6	ROCKER ARM SUPPORT	
8	72310402	12	TORX SCREW REPLACE SCREWS SETWISE	
9	72310120	3	ROCKER SHAFT ><10	
10	72314700	6	PLUG	
11	72604686	12	ROCKER ARM	
12	72315386	12	PRESSURE SCREW	
13	72313252	12	NUT	
14	72311769	12	DISC	
15	72316451	6	COMPRESSION SPRING	
16	72316450	3	COMPRESSION SPRING	
17	72317112	6	MACHINE WASHER	
18	72311061	6	LOCK WASHER	DIN 471-20X1,2
19	72316921	12	PUSH ROD	
20	72316919	12	VALVE TAPPET 20,00MM	
	72316920	12	VALVE TAPPET 20,25MM	

**<https://www.ebooklibonline.com>**

Hello dear friend!

Thank you very much for reading.

Enter the link into your browser.

The full manual is available for immediate download.

**<https://www.ebooklibonline.com>**