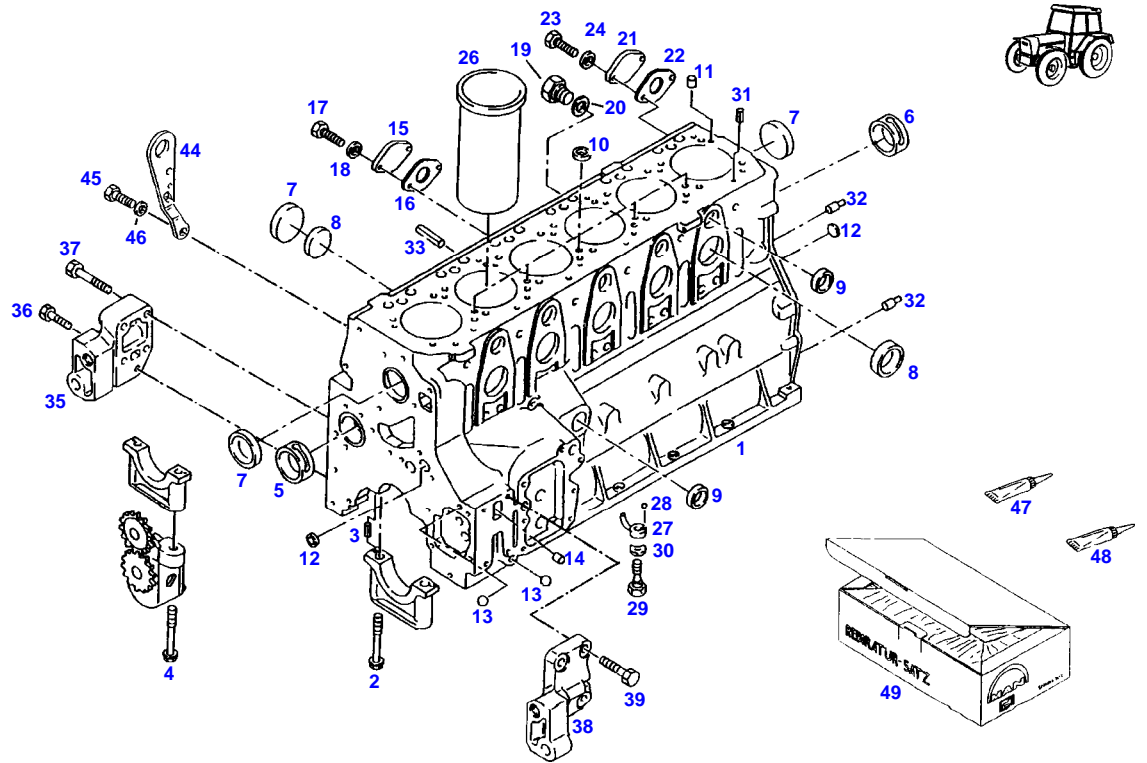


Page Number	Page Title	Page Reference
01-000-TOC	ENGINE, FUEL AND EXHAUST SYSTEM	01-000-TOC
02-000-TOC	AXLES	02-000-TOC
03-000-TOC	STEERING SYSTEM	03-000-TOC
04-000-TOC	DRIVE TRAIN SYSTEM	04-000-TOC
05-000-TOC	COMPRESSED AIR SYSTEM	05-000-TOC
06-000-TOC	HYDRAULIC SYSTEM	06-000-TOC
07-000-TOC	ELECTRICAL SYSTEM	07-000-TOC
08-000-TOC	CAB	08-000-TOC
09-000-TOC	AIR CONDITIONING AND HEATING SYSTEM	09-000-TOC
10-000-TOC	CHASSIS	10-000-TOC
11-000-TOC	WHEELS	11-000-TOC
12-000-TOC	IMPLEMENT LIFT SYSTEM FRONT	12-000-TOC
13-000-TOC	IMPLEMENT LIFT SYSTEM REAR	13-000-TOC
14-000-TOC	ACCESSORIES	14-000-TOC

FAVORIT 818 (818/00101-99999)
8722



8722

Item	Part Number	Qty	Description Comments	Technical Specification
			ENGINE NUMBER <-- 162 7200 000 ... --> 162 7884 999 ...	
1	72431947	1	SHORT ENGINE	
	72346276	1	CRANKCASE ><2-24 <-- F926.200.210.030 <>	
	72317117	1	THRUST WASHER	
	72310408	1	BOLT	
	72315373	1	SOCKET HEAD BOLT	
	72313847	1	TENSIONING PIN	ISO8750-8X10-ST
	72315477	2	SOCKET HEAD BOLT	DIN 912 M8X30-8.8A3L
2	72315380	12	WASHER HEAD BOLT	
3	72313719	14	CYLINDER PIN	
4	72346311	2	WASHER HEAD BOLT	
5	72316153	3	BEARING CUP 55,07MM	
	72310225	3	BEARING CUP 55,10MM	
6	72346312	1	BEARING BUSHING 55,07MM	
	72346313	1	BEARING BUSHING 55,10MM	
7	72417059	8	COVER 62,20MM	
	72311421	8	COVER 63,00MM	
8	72311422	11	COVER 50,20MM	
	72311423	11	COVER 51,00MM	
9	72311424	6	COVER 40,20MM	
	72311425	6	COVER 41,00MM	
10	72311426	5	COVER	
11	72604916	7	SEALING PLUG	
12	72311432	2	COVER	
13	72310168	2	BALL	
14	72314696	1	SEALING PLUG	
15	72312123	1	BLANK FLANGE	
16	72312258	1	SEAL	
17	72315630	2	HEXAGONAL HEAD BOLT	DIN 933 M6X18-8.8A3L
18	72311787	2	DISC	DIN 125-6,4-ST.A3L
19	72315799	1	PLUG	DIN 7604 AM14X1,5-A3L
20	72315094	1	SEALING WASHER	DIN 7603 A14X18-CU
21	72312125	1	FLANGE	
22	72312268	1	SEAL	
23	72315650	2	HEXAGONAL HEAD BOLT	DIN 933 M8 X 20-8.8A3L
24	72311788	2	DISC	DIN 125-8,4-ST.A3L
26	72313100	6	SLEEVE BUSHING	
	72431672	6	CYLINDER LINER COLLAR OVERSIZE 0.20MM	
27	72313230	6	OIL SPLASH NOZZLE ><28	
28			NOT AVAILABLE IN SINGLE PARTS	
29	72317037	6	OIL PRESSURE VALVE	
30	72317123	6	SPRING WASHER	DIN 137 B12-ZNPHR
31	72313719	6	CYLINDER PIN	
32	72313721	2	CENTERING PIN	
33	72313829	1	TENSIONING PIN	ISO8752-8X32-A-ST
35	72428719	1	ENGINE SUPPORT	

<https://www.ebooklibonline.com>

Hello dear friend!

Thank you very much for reading.

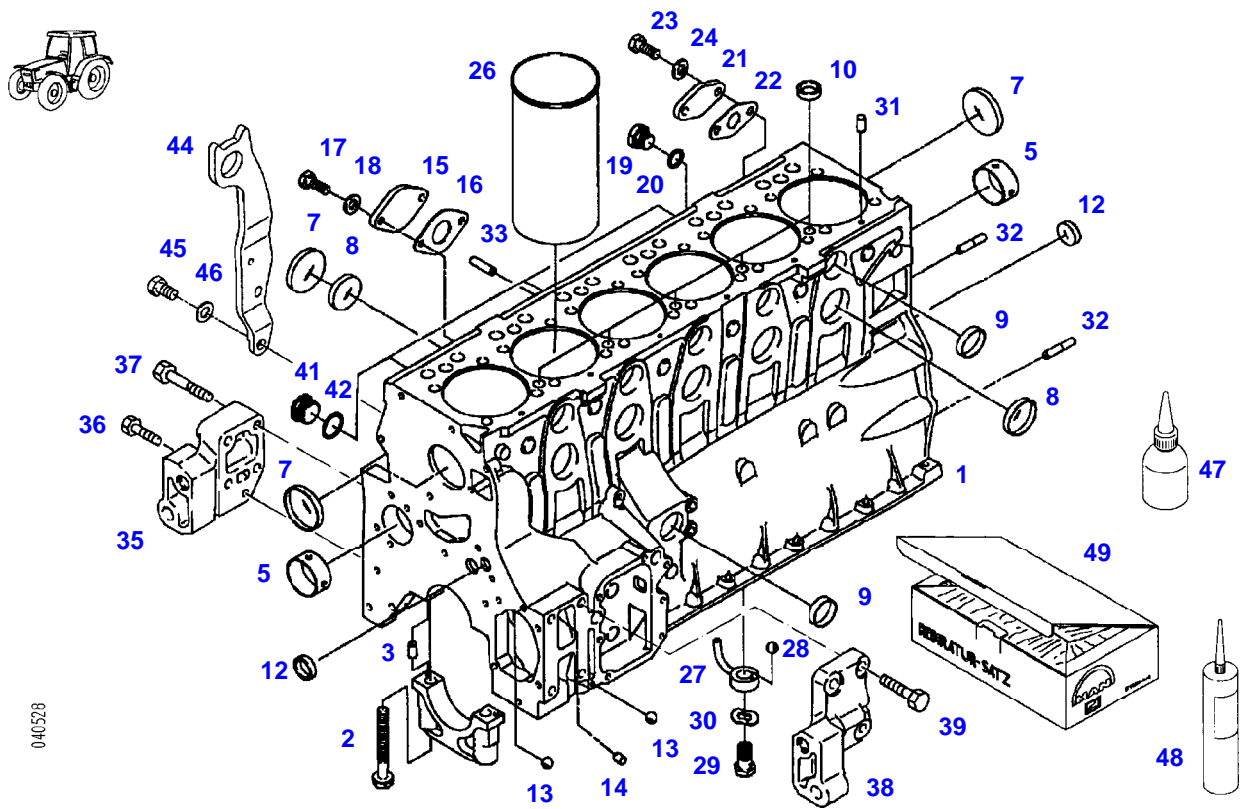
Enter the link into your browser.

The full manual is available for immediate download.

<https://www.ebooklibonline.com>

Item	Part Number	Qty	Description Comments	Technical Specification
36	72315686	1	HEXAGONAL HEAD BOLT	DIN 933-M10X35-12.9
37	72315559	4	HEXAGONAL HEAD BOLT	DIN 931 M12X60 GWA-10.9
38	72428720	1	ENGINE SUPPORT	
39	72315713	4	HEXAGONAL HEAD BOLT	DIN 933 M12X40 GWA-10.9
44	72346279	1	EYE	
45	72315721	1	HEXAGONAL HEAD BOLT	DIN 933 M14X25-8.8A3L
46	72311792	1	DISC	DIN125-15-ST
47	72313159	1	ADHESIVE	LOCTITE 648 50ML
48	72311273	1	SEALING COMPOUND	TEROST-63S
49	72312365	1	SEAL KIT	
			<>	
	72426464	24	HEX BOLT, WITH COLLAR	

FAVORIT 818 (818/00101-99999)
40528



040528

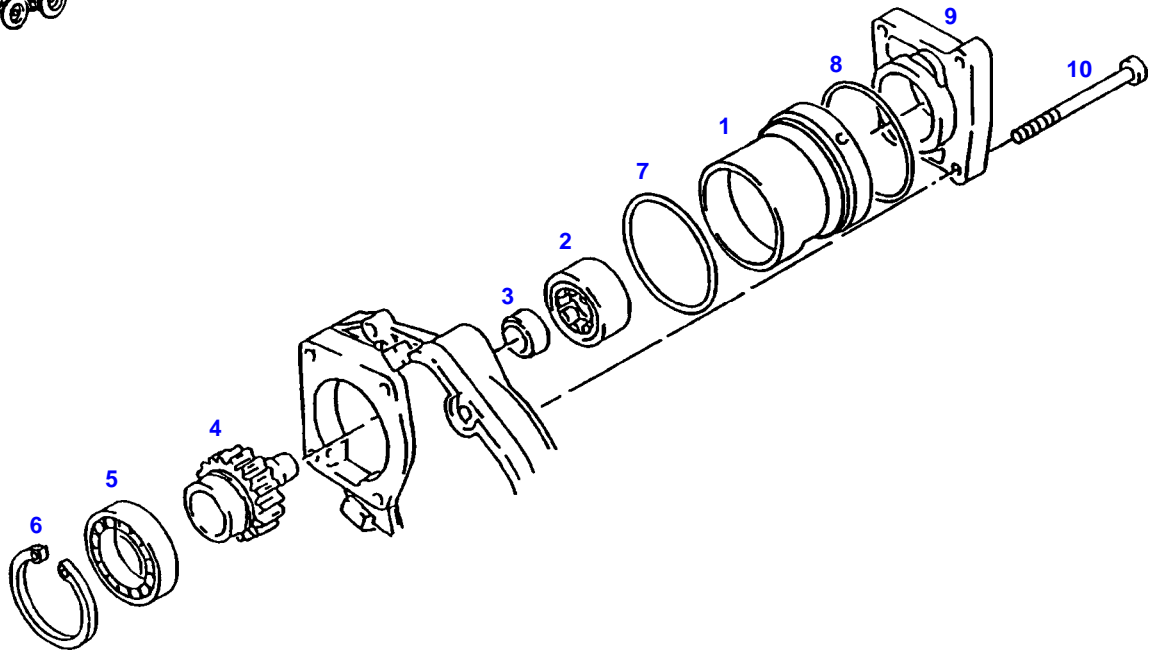
Item	Part Number	Qty	Description Comments	Technical Specification
			ENGINE NUMBER <-- 162 7885 001 ... --> 162 9999 999 ... <-- 162 0000 100 ... --> 162 7199 999 ...	
	72431947	1	SHORT ENGINE	
1	72311577	1	CRANKCASE ><2-24,41,42	
2	72315380	14	WASHER HEAD BOLT	
3	72313719	14	CYLINDER PIN	
5	72316153	4	BEARING CUP 55,07MM	
	72310225	4	BEARING CUP 55,10MM	
7	72417059	8	COVER 62,20MM	
	72311421	8	COVER 63,00MM	
8	72311422	11	COVER 50,20MM	
	72311423	11	COVER 51,00MM	
9	72311424	6	COVER 40,20MM	
	72311425	6	COVER 41,00MM	
10	72311426	5	COVER	
12	72311432	2	COVER	
13	72310168	2	BALL	
14	72314696	1	SEALING PLUG	
15	72312123	1	BLANK FLANGE	
16	72312258	1	SEAL	
17	72315630	2	HEXAGONAL HEAD BOLT	DIN 933 M6X18-8.8A3L
18	72311787	2	DISC	DIN 125-6,4-ST.A3L
19	72315799	1	PLUG	DIN 7604 AM14X1,5-A3L
20	72315094	1	SEALING WASHER	DIN 7603 A14X18-CU
21	72312125	1	FLANGE	
22	72312268	1	SEAL	
23	72315650	2	HEXAGONAL HEAD BOLT	DIN 933 M8 X 20-8.8A3L
24	72311788	2	DISC	DIN 125-8,4-ST.A3L
26	72313100	6	SLEEVE BUSHING	
	72431672	6	CYLINDER LINER COLLAR OVERSIZE 0.20MM	
27	72313230	6	OIL SPLASH NOZZLE ><28	
28			NOT AVAILABLE IN SINGLE PARTS	
29	72317037	6	OIL PRESSURE VALVE	
30	72317123	6	SPRING WASHER	DIN 137 B12-ZNPHR
31	72313719	6	CYLINDER PIN	
32	72313721	2	CENTERING PIN	
33	72313829	1	TENSIONING PIN	ISO8752-8X32-A-ST
35	72428719	1	ENGINE SUPPORT	
36	72315686	1	HEXAGONAL HEAD BOLT	DIN 933-M10X35-12.9
37	72315559	4	HEXAGONAL HEAD BOLT	DIN 931 M12X60 GWA-10.9
38	72428720	1	ENGINE SUPPORT	
39	72315713	4	HEXAGONAL HEAD BOLT	DIN 933 M12X40 GWA-10.9
41	72315445	3	PLUG	DIN 908 M30X1,5-ST
42	72315105	3	SEALING WASHER	DIN 7603 A30X36-CU

Item	Part Number	Qty	Description Comments	Technical Specification
44	72346279	1	EYE ENG.NO. <-- 162 7885 001 ... --> 162 8143 560 ... <-- 162 8143 562 ... --> 162 8255 521 ...	
	72312042	1	SUSPENSION EYE ENG.NO. <-- 162 8143 561 ... --> 162 8143 561 ... <-- 162 8255 522 ... --> 162 9999 999 ... <-- 162 0000 100 ... --> 162 7199 999 ...	
45	72315721	1	HEXAGONAL HEAD BOLT	DIN 933 M14X25-8.8A3L
46	72311792	1	DISC	DIN125-15-ST
47	72313159	1	ADHESIVE	LOCTITE 648 50ML
48	72311273	1	SEALING COMPOUND	TEROST-63S
49	72312365	1	SEAL KIT <>	
	72426464	24	HEX BOLT, WITH COLLAR	

FAVORIT 818 (818/00101-99999)
8733

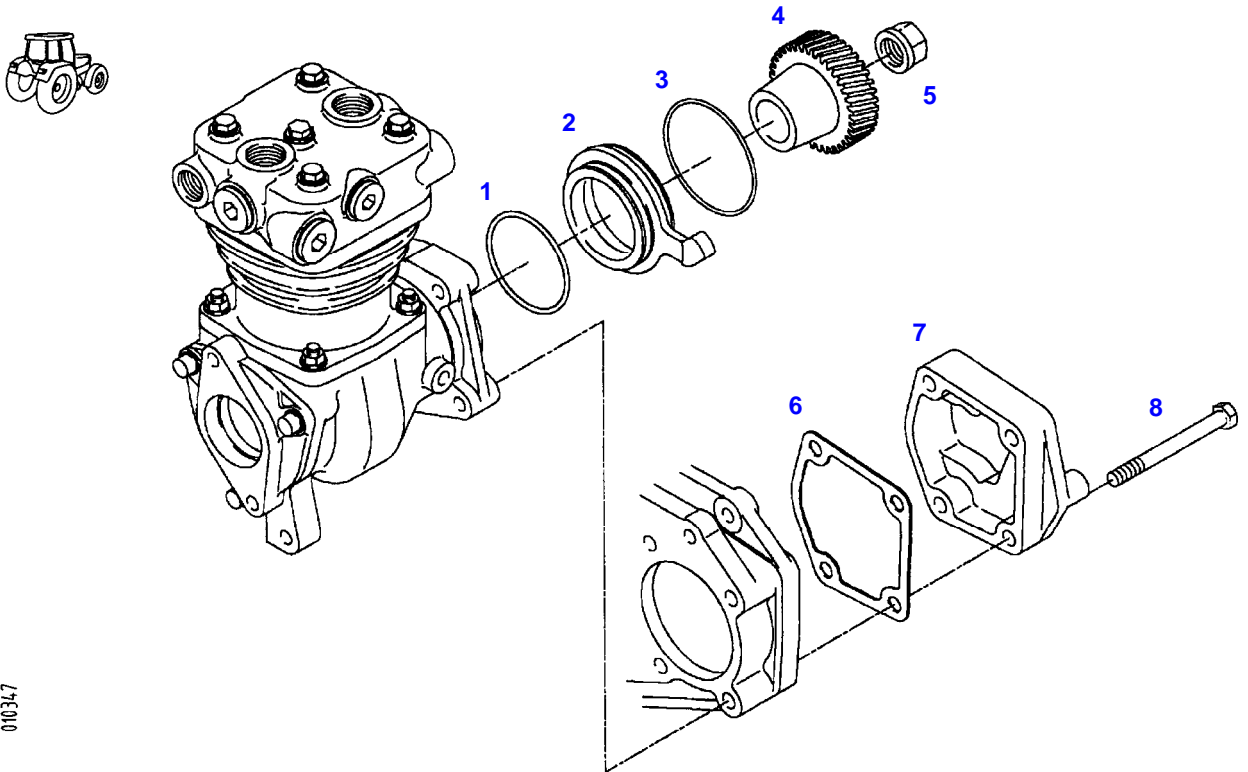


8733



Item	Part Number	Qty	Description Comments	Technical Specification
			<-- 818/0101 --> 818/0200 <-- 818/1001 --> 818/2000	
1	72346320	1	ECCENTRIC	
2	72346321	1	BALL BEARING	
3	72346322	1	INNER RING	
4	72346323	1	DRIVE GEAR	
5	72366084	1	DEEP GROOVE BALL BEARING	
6	72311103	1	LOCK WASHER	DIN 472-75X2,5
7	72313390	1	O-RING	
8	72313535	1	SEAL	
9	72346325	1	BEARING FLANGE	
10	72374037	4	SOCKET HEAD BOLT	DIN 912 M8X120-10.9

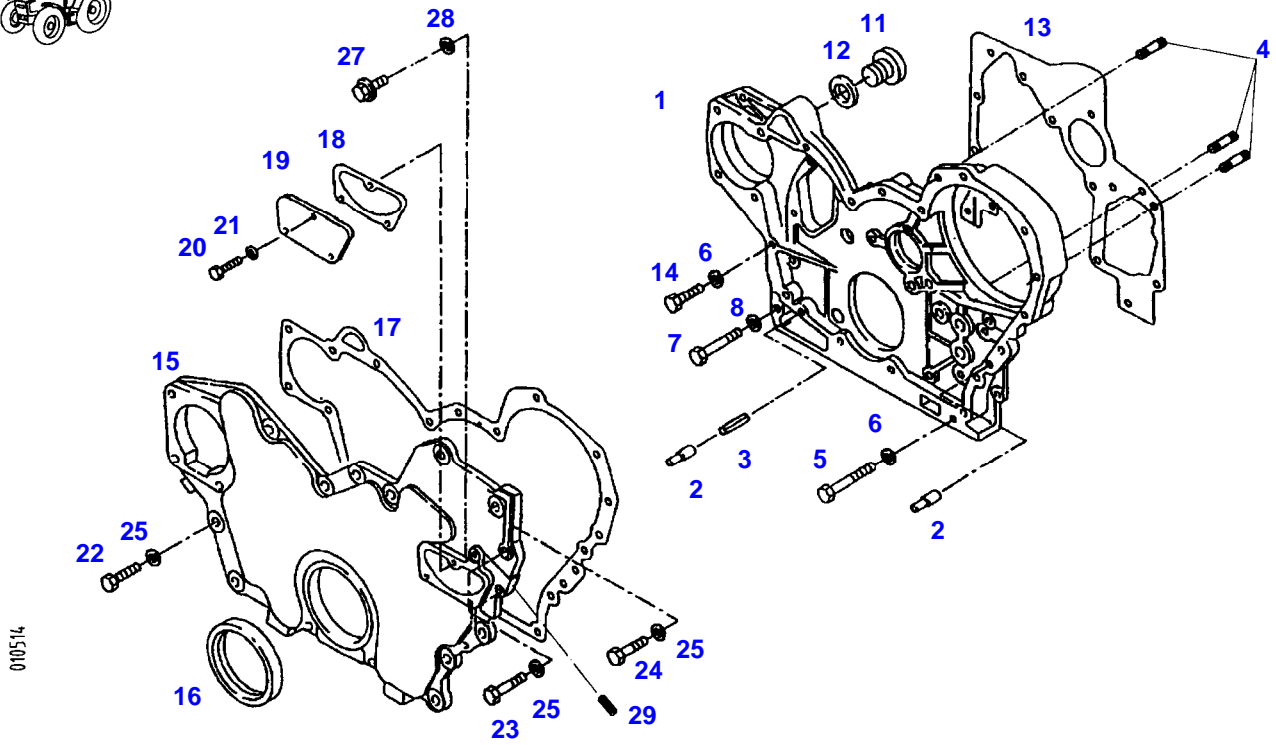
FAVORIT 818 (818/00101-99999)
10347



010347

Item	Part Number	Qty	Description Comments	Technical Specification
			<-- 818/0201 --> 818/0300 <-- 818/2001	
1	72313536	1	SEAL	
2	72312004	1	ECCENTRIC	
3	72313390	1	O-RING	
4	72417063	1	DRIVE GEAR	
5	72313333	1	WHEEL NUT	DIN74361-B20-8
6	72312269	1	SEAL	
7	72311433	1	COVER	
8	72315551	4	HEXAGONAL HEAD BOLT	DIN 931 M10X100-8.8

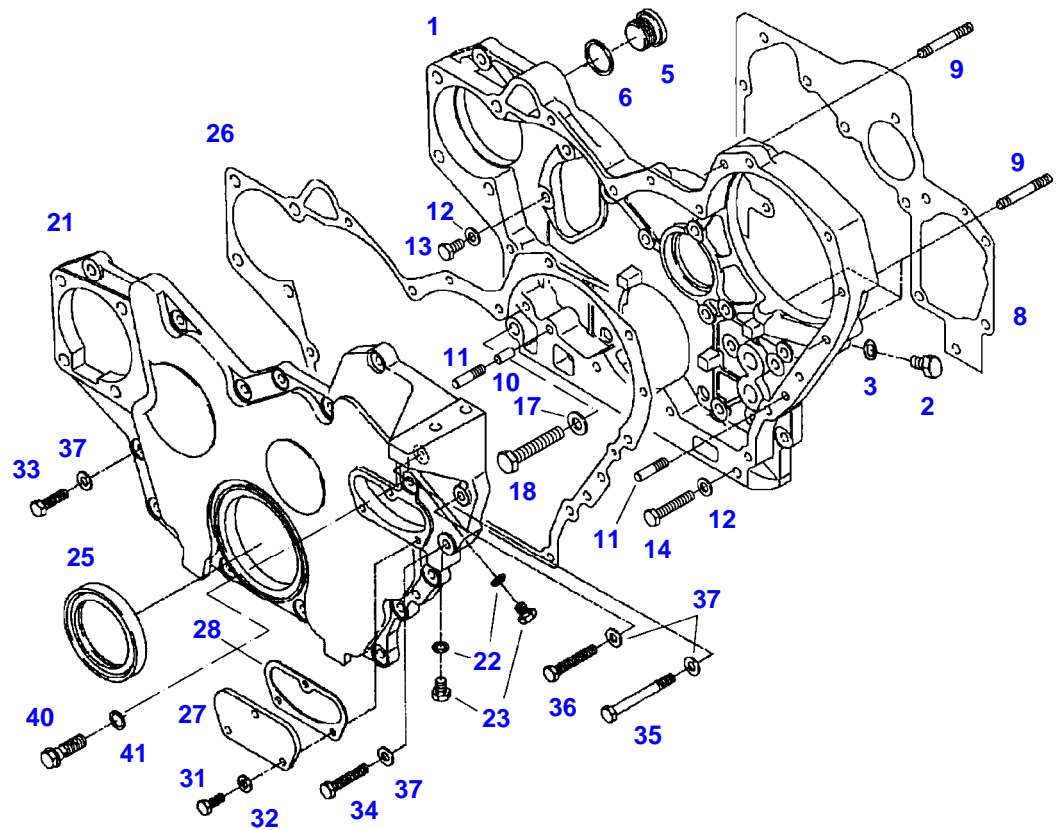
FAVORIT 818 (818/00101-99999)
10514



010514

Item	Part Number	Qty	Description Comments	Technical Specification
			<-- 818/0101 --> 818/0200 <-- 818/1001 --> 818/2000	
1	72346280	1	CONTROL HOUSING <-- F926.200.210.010	
2	72313720	2	CENTERING PIN	
3	72313848	1	TENSIONING PIN	ISO8750-8X16-ST
4	72313754	3	STUD BOLT	DIN 835-M8X25-8.8-ZNPHR3F
5	72315529	1	HEXAGONAL HEAD BOLT	DIN 931 M8X50-8.8A3L
6	72311788	12	DISC	DIN 125-8,4-ST.A3L
7	72315544	1	HEXAGONAL HEAD BOLT	DIN 931 M10X50-8.8A3L
8	72311789	1	DISC	DIN 125-10,5-ST.A3L
11	72315802	1	SCREW	DIN 7604 AM22X1,5-ST
12	72315101	1	SEALING WASHER	DIN 7603 A22X27-CU
13	72312259	1	SEAL	
14	72315653	11	HEXAGONAL HEAD BOLT	DIN 933 M8 X 25-8.8A3L
15	72346315	1	COVER >< 29 <-- F926.200.210.020	
16	72346310	1	SHAFT SEALING RINGS	
17	72312260	1	SEAL	
18	72312261	1	SEAL	
19	72311419	1	COVER	
20	72315625	3	HEXAGONAL HEAD BOLT	DIN 933 M6X16-8.8
21	72311787	3	DISC	DIN 125-6,4-ST.A3L
22	72315657	12	HEXAGONAL HEAD BOLT	DIN 933 M8 X 30-8.8A3L
23	72315665	2	HEXAGONAL HEAD BOLT	DIN 933 M8X45-8.8A3L
24	72315535	1	HEXAGONAL HEAD BOLT	DIN 931 M8X75 GWA-10.9
25	72311788	15	DISC	DIN 125-8,4-ST.A3L
27	72315650	1	HEXAGONAL HEAD BOLT	DIN 933 M8 X 20-8.8A3L
28	72315087	1	SEALING WASHER	DIN 7603 A8X14-CU
29	72372530	2	THREADED PIN	DIN 551-M6X10-14H

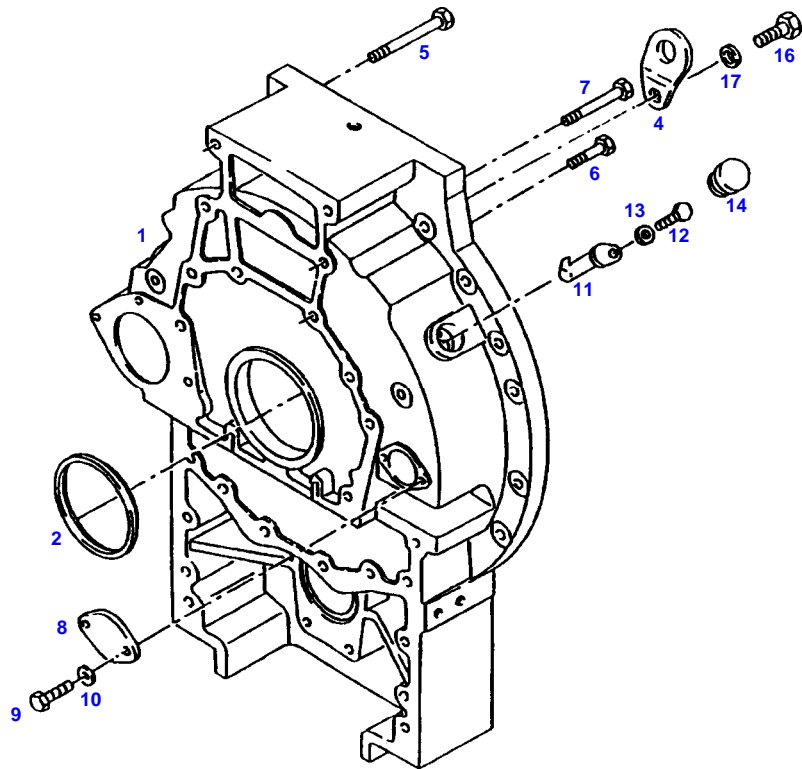
FAVORIT 818 (818/00101-99999)
10139



010139

Item	Part Number	Qty	Description Comments	Technical Specification
			<-- 818/0201 --> 818/0300 <-- 818/2001	
1	72312752	1	CONTROL HOUSING ><2-6	
2	72315627	1	HEXAGONAL HEAD BOLT	DIN 933 M6X8-8.8A3L
3	72315084	1	SEALING WASHER	DIN 7603 A6X10-CU
5	72315442	1	PLUG	DIN 908 M22X1,5-ST
6	72315101	1	SEALING WASHER	DIN 7603 A22X27-CU
8	72312259	1	SEAL	
9	72313754	4	STUD BOLT	DIN 835-M8X25-8.8-ZNPHR3F
10	72313848	1	TENSIONING PIN	ISO8750-8X16-ST
11	72313720	2	CENTERING PIN	
12	72311788	12	DISC	DIN 125-8,4-ST.A3L
13	72315653	11	HEXAGONAL HEAD BOLT	DIN 933 M8 X 25-8.8A3L
14	72315529	1	HEXAGONAL HEAD BOLT	DIN 931 M8X50-8.8A3L
17	72311789	1	DISC	DIN 125-10,5-ST.A3L
18	72315544	1	HEXAGONAL HEAD BOLT	DIN 931 M10X50-8.8A3L
21	72311431	1	COVER ><22+23	
22	72315084	2	SEALING WASHER	DIN 7603 A6X10-CU
23	72315627	2	HEXAGONAL HEAD BOLT	DIN 933 M6X8-8.8A3L
25	72346310	1	SHAFT SEALING RINGS	
26	72312260	1	SEAL	
27	72311419	1	COVER	
28	72312261	1	SEAL	
31	72315625	3	HEXAGONAL HEAD BOLT	DIN 933 M6X16-8.8
32	72311787	3	DISC	DIN 125-6,4-ST.A3L
33	72315657	12	HEXAGONAL HEAD BOLT	DIN 933 M8 X 30-8.8A3L
34	72315665	1	HEXAGONAL HEAD BOLT	DIN 933 M8X45-8.8A3L
35	72315535	1	HEXAGONAL HEAD BOLT	DIN 931 M8X75 GWA-10.9
36	72315668	1	HEXAGONAL HEAD BOLT	DIN 933 M8X50-8.8A3L
37	72311788	15	DISC	DIN 125-8,4-ST.A3L
40	72315650	1	HEXAGONAL HEAD BOLT	DIN 933 M8 X 20-8.8A3L
41	72315087	1	SEALING WASHER	DIN 7603 A8X14-CU

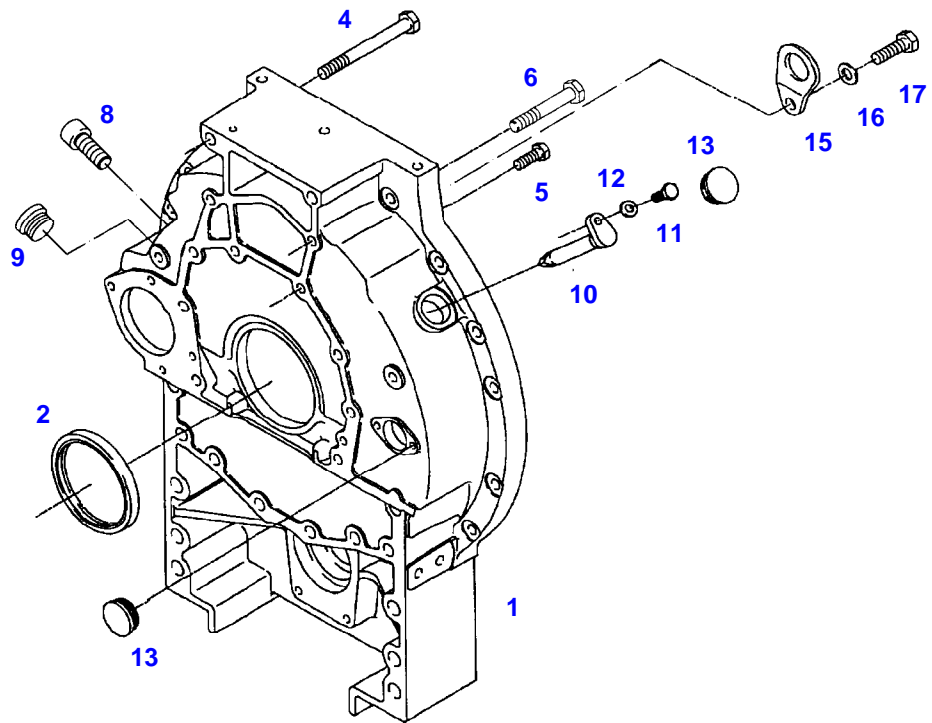
FAVORIT 818 (818/00101-99999)
8727



8727

Item	Part Number	Qty	Description Comments	Technical Specification
			ENGINE NUMBER <-- 162 7200 000 --> 162 7996 999	
1	72346334	1	FLYWHEEL HOUSING <-- F926.200.210.080 1X <>	
	72346444	1	LOCKING PLUG	
2	72315031	1	SHAFT SEALING RINGS	
4	72312041	1	EYE	
5	72315580	2	HEXAGONAL HEAD BOLT	DIN931-M14X140-10.9-ZNPHR3F
6	72315710	8	HEXAGONAL HEAD BOLT	DIN 933-M12X35 GWA-10.9
7	72315567	2	HEXAGONAL HEAD BOLT	DIN 931 M12X100 GWA-10.9
8	72312124	1	BLANK FLANGE	
9	72315653	2	HEXAGONAL HEAD BOLT	DIN 933 M8 X 25-8.8A3L
10	72311788	2	DISC	DIN 125-8,4-ST.A3L
11	72346286	1	POINTER	
12	72315625	1	HEXAGONAL HEAD BOLT	DIN 933 M6X16-8.8
13	72311787	1	DISC	DIN 125-6,4-ST.A3L
14	72314695	1	LOCKING PLUG	
16	72315721	1	HEXAGONAL HEAD BOLT	DIN 933 M14X25-8.8A3L
17	72311792	1	DISC	DIN125-15-ST

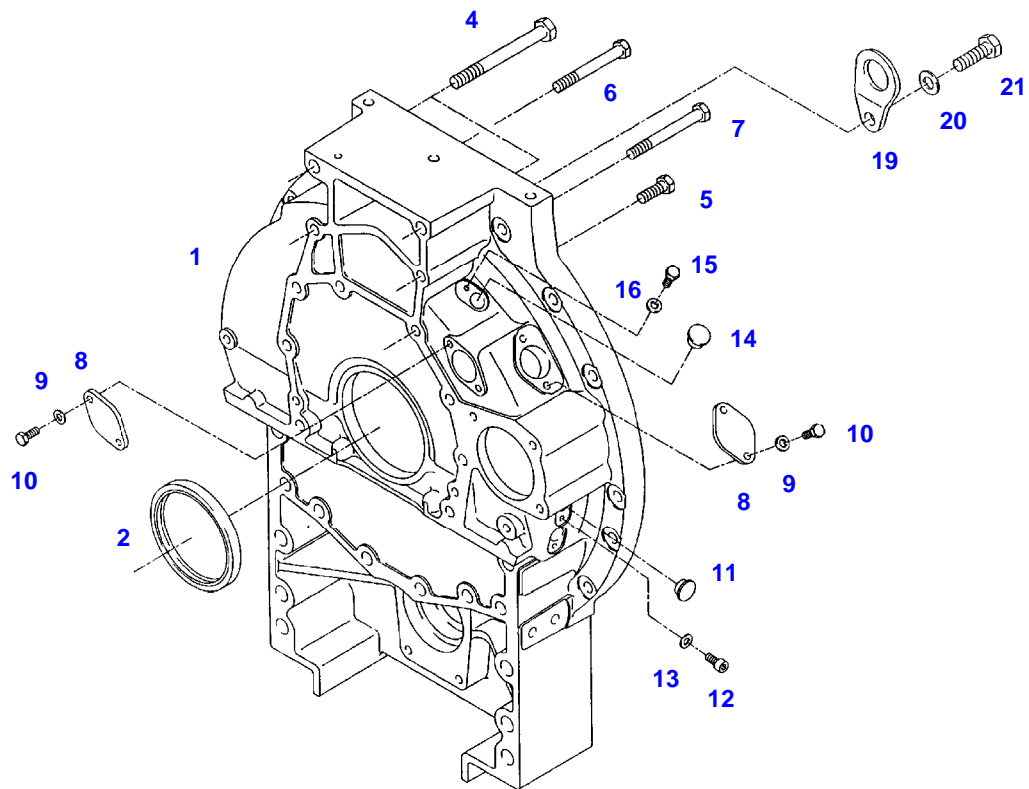
FAVORIT 818 (818/00101-99999)
10558



010558

Item	Part Number	Qty	Description Comments	Technical Specification
			ENGINE NUMBER <-- 162 7997 001 --> 162 8861 640 9999	
1	72347062	1	FLYWHEEL HOUSING ><2	
2	72315031	1	SHAFT SEALING RINGS	
4	72315580	2	HEXAGONAL HEAD BOLT	DIN931-M14X140-10.9-ZNPHR3F
5	72315710	8	HEXAGONAL HEAD BOLT	DIN 933-M12X35 GWA-10.9
6	72315567	2	HEXAGONAL HEAD BOLT	DIN 931 M12X100 GWA-10.9
8	72374017	1	SOCKET HEAD BOLT	DIN 912 M8X12-8.8
9	72346444	1	LOCKING PLUG	
10	72346286	1	POINTER	
11	72315625	1	HEXAGONAL HEAD BOLT	DIN 933 M6X16-8.8
12	72311787	1	DISC	DIN 125-6,4-ST.A3L
13	72314695	2	LOCKING PLUG	
15	72312041	1	EYE	
16	72311792	2	DISC	DIN125-15-ST
17	72315721	2	HEXAGONAL HEAD BOLT	DIN 933 M14X25-8.8A3L

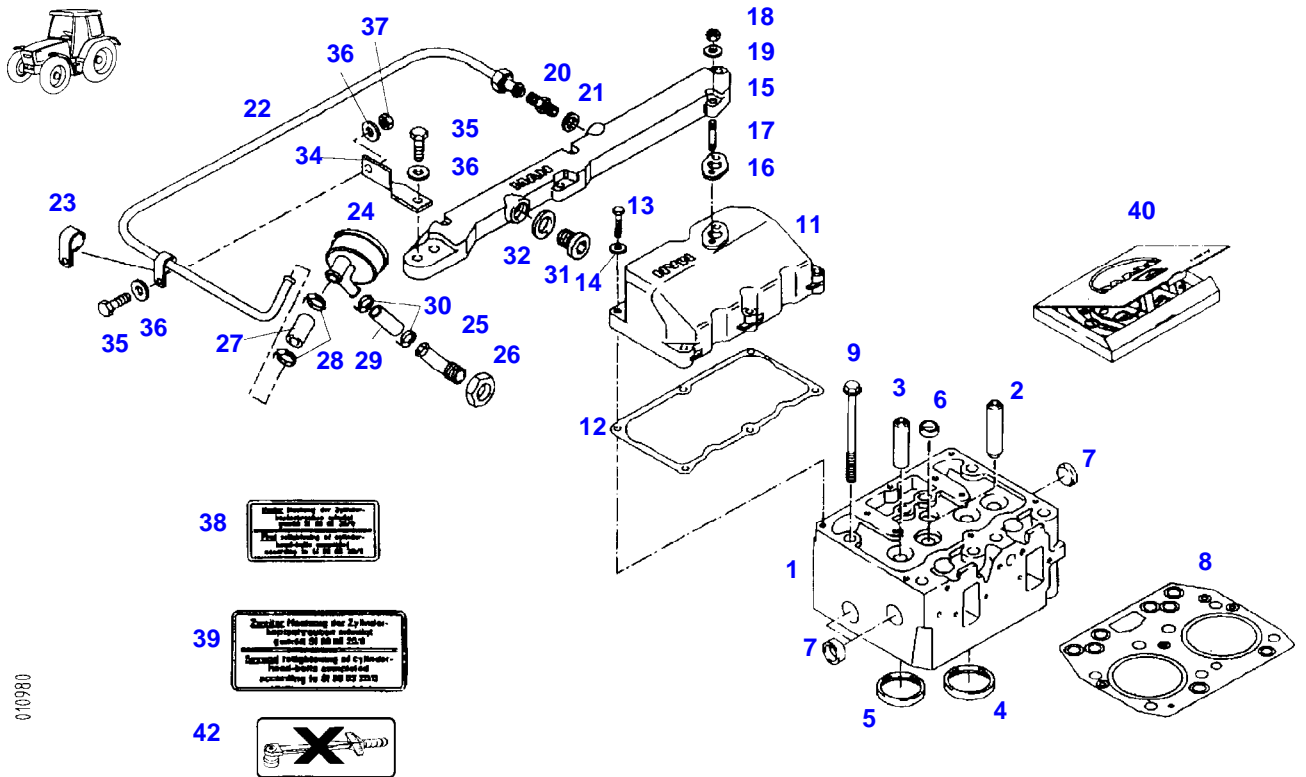
FAVORIT 818 (818/00101-99999)
40412



040412

Item	Part Number	Qty	Description Comments	Technical Specification
			ENGINE NUMBER <-- 162 8861 641 0000 --> 162 9999 999 <-- 162 0000 100 --> 162 7199 999	
1	72415318	1	FLYWHEEL HOUSING ><2 ENG.NO. <-- 162 8861 641 <> --> 162 8854 999 <> <>	
	72315569	1	HEXAGONAL HEAD BOLT	DIN 931 M12X110 GWA-10.9
	72315084	1	SEALING WASHER	DIN 7603 A6X10-CU
	72315758	1	HEXAGONAL HEAD BOLT	DIN 933 M6X12 SK-8.8A3L
	72416967	1	PLUG	
2	72315031	1	SHAFT SEALING RINGS	
4	72315580	2	HEXAGONAL HEAD BOLT	DIN931-M14X140-10.9-ZNPHR3F
5	72315710	8	HEXAGONAL HEAD BOLT	DIN 933-M12X35 GWA-10.9
6	72315567	1	HEXAGONAL HEAD BOLT	DIN 931 M12X100 GWA-10.9
7	72315567	1	HEXAGONAL HEAD BOLT ENG.NO. <-- 162 8861 641 --> 162 8854 999	DIN 931 M12X100 GWA-10.9
	72315569	1	HEXAGONAL HEAD BOLT ENG.NO. <-- 162 8855 001 --> 162 9999 999 <-- 162 0000 100 --> 162 7199 999	DIN 931 M12X110 GWA-10.9
8	72312124	2	BLANK FLANGE	
9	72311788	4	DISC	DIN 125-8,4-ST.A3L
10	72315653	4	HEXAGONAL HEAD BOLT	DIN 933 M8 X 25-8.8A3L
11	72346444	1	LOCKING PLUG	
12	72374017	1	SOCKET HEAD BOLT	DIN 912 M8X12-8.8
13	72315087	1	SEALING WASHER	DIN 7603 A8X14-CU
14	72416967	1	PLUG	
15	72315758	1	HEXAGONAL HEAD BOLT	DIN 933 M6X12 SK-8.8A3L
16	72315084	1	SEALING WASHER	DIN 7603 A6X10-CU
19	72312041	1	EYE	
20	72315721	2	HEXAGONAL HEAD BOLT	DIN 933 M14X25-8.8A3L
21	72311792	2	DISC	DIN125-15-ST

FAVORIT 818 (818/00101-99999)
10980



086010

Item	Part Number	Qty	Description Comments	Technical Specification
			<-- 818/0101 --> 818/0200 <-- 818/1001 --> 818/2000	
1	72497995	3	CYLINDER HEAD ><2-7	
2	72310651	6	VALVE GUIDE 16,00MM INTAKE	
	72310652	6	VALVE GUIDE 16,25MM INTAKE	
3	72310653	6	VALVE GUIDE 16,00MM OUTLET	
	72310654	6	VALVE GUIDE 16,25MM OUTLET	
4	72315032	6	VALVE SEAT RING 51,11MM INTAKE	
	72315033	6	VALVE SEAT RING 51,31MM INTAKE	
5	72315034	6	VALVE SEAT RING 44,10MM OUTLET	
	72315035	6	VALVE SEAT RING 44,30MM OUTLET	
6	72311428	3	COVER	
7	72311429	9	COVER	
8	72312241	3	CYLINDER HEAD GASKET <>	
	72426464	8	HEX BOLT, WITH COLLAR	
9	72426464	24	HEX BOLT, WITH COLLAR MUST NOT BE RETIGHTENED SCREWS-TO BE USED ONCE ONLY <>	
	72423094	1	MARKING PLATE	
11	72346326	3	CYLINDER HEAD COVER	
12	72317854	3	SEAL	
13	72374136	18	HEXAGONAL HEAD BOLT	DIN 931 M6X40-8.8
14	72311787	18	DISC	DIN 125-6,4-ST.A3L
15	72346327	1	BREATHER PIPE	
16	72346328	3	SEAL	
17	72373893	6	STUD BOLT	DIN 835-M6X30-8.8-ZNPHR3F
18	72313266	6	NUT	DIN 934 M6-8A3L
19	72311787	6	DISC	DIN 125-6,4-ST.A3L
20	72316291	1	THREADED STUD	
21	72315101	1	SEALING WASHER	DIN 7603 A22X27-CU
22	72346329	1	BREATHER LINE ><23	
23	72346330	1	FASTENING COLLAR	
24	72317038	1	CONTROL VALVE	
25	72313939	1	PIPE BEND	
26	72313351	1	NUT	DIN74305-M26X1,5-11H-A4C
27	72450423	1	PRESSURE HOSE 1X 100MM CUT TO LENGTH	L=120
28	72311167	2	HOSE CLIP	
29	72312632	1	HOSE	
30	72316562	2	CLIP	
31	72451015	1	SCREW <>	
	72451016	1	SEAL	

Item	Part Number	Qty	Description Comments	Technical Specification
32	72315101	1	SEALING WASHER	DIN 7603 A22X27-CU
	72451016	1	SEAL	
34	72346333	1	RETAINER	
35	72315650	2	HEXAGONAL HEAD BOLT	DIN 933 M8 X 20-8.8A3L
36	72311788	3	DISC	DIN 125-8,4-ST.A3L
37	72313268	1	NUT	DIN 934 M8-8A3L
38	72314423	1	LABEL ENG.NO. <-- 162 7200 000 --> 162 8420 999 D,GB	
	72314424	1	LABEL ENG.NO. <-- 162 7200 000 --> 162 8420 999 F,E	
39	72314425	1	LABEL ENG.NO. <-- 162 7200 000 --> 162 8420 999 D,GB	
	72314426	1	LABEL ENG.NO. <-- 162 7200 000 --> 162 8420 999 F,E	
40	72312366	3	SEAL KIT <>	
	72426464	8	HEX BOLT, WITH COLLAR	
42	72423094	1	MARKING PLATE	

FAVORIT 818 (818/00101-99999)
10745

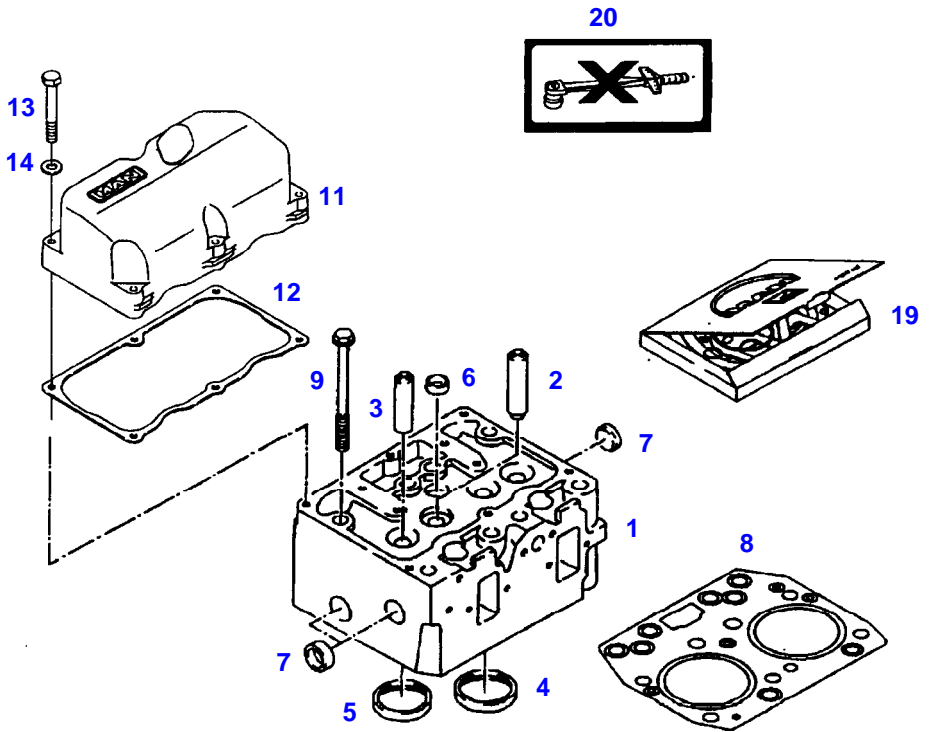


17



18

010745



Item	Part Number	Qty	Description Comments	Technical Specification
			<-- 818/0201 --> 818/0300 <-- 818/2001	
1	72497995	3	CYLINDER HEAD ><2-7	
2	72310651	6	VALVE GUIDE 16,00MM INTAKE	
	72310652	6	VALVE GUIDE 16,25MM INTAKE	
3	72310653	6	VALVE GUIDE 16,00MM OUTLET	
	72310654	6	VALVE GUIDE 16,25MM OUTLET	
4	72315032	6	VALVE SEAT RING 51,11MM INTAKE	
	72315033	6	VALVE SEAT RING 51,31MM INTAKE	
5	72315034	6	VALVE SEAT RING 44,10MM OUTLET	
	72315035	6	VALVE SEAT RING 44,30MM OUTLET	
6	72311428	3	COVER	
7	72311429	9	COVER	
8	72312241	3	CYLINDER HEAD GASKET <>	
	72426464	8	HEX BOLT, WITH COLLAR	
9	72426464	24	HEX BOLT, WITH COLLAR MUST NOT BE RETIGHTENED SCREWS-TO BE USED ONCE ONLY ENG.NO. <-- 162 7200 000 <> --> 162 8420 999 <> <>	
	72423094	1	MARKING PLATE	
11	72311630	3	CYLINDER HEAD COVER	
12	72317854	3	SEAL	
13	72315520	18	HEXAGONAL HEAD BOLT	DIN 931-M6X40-10.9-ZNPHR3F
	72416968	18	TORX SCREW	
14	72311787	18	DISC NOT USED WITH TORX SCREW	DIN 125-6,4-ST.A3L
17	72314423	1	LABEL D,GB ENG.NO. <-- 162 7200 000 --> 162 8420 999	
	72314424	1	LABEL F,E ENG.NO. <-- 162 7200 000 --> 162 8420 999	
18	72314425	1	LABEL D,GB ENG.NO. <-- 162 7200 000 --> 162 8420 999	



Suggest:

For more complete manuals. Please go to the home page.

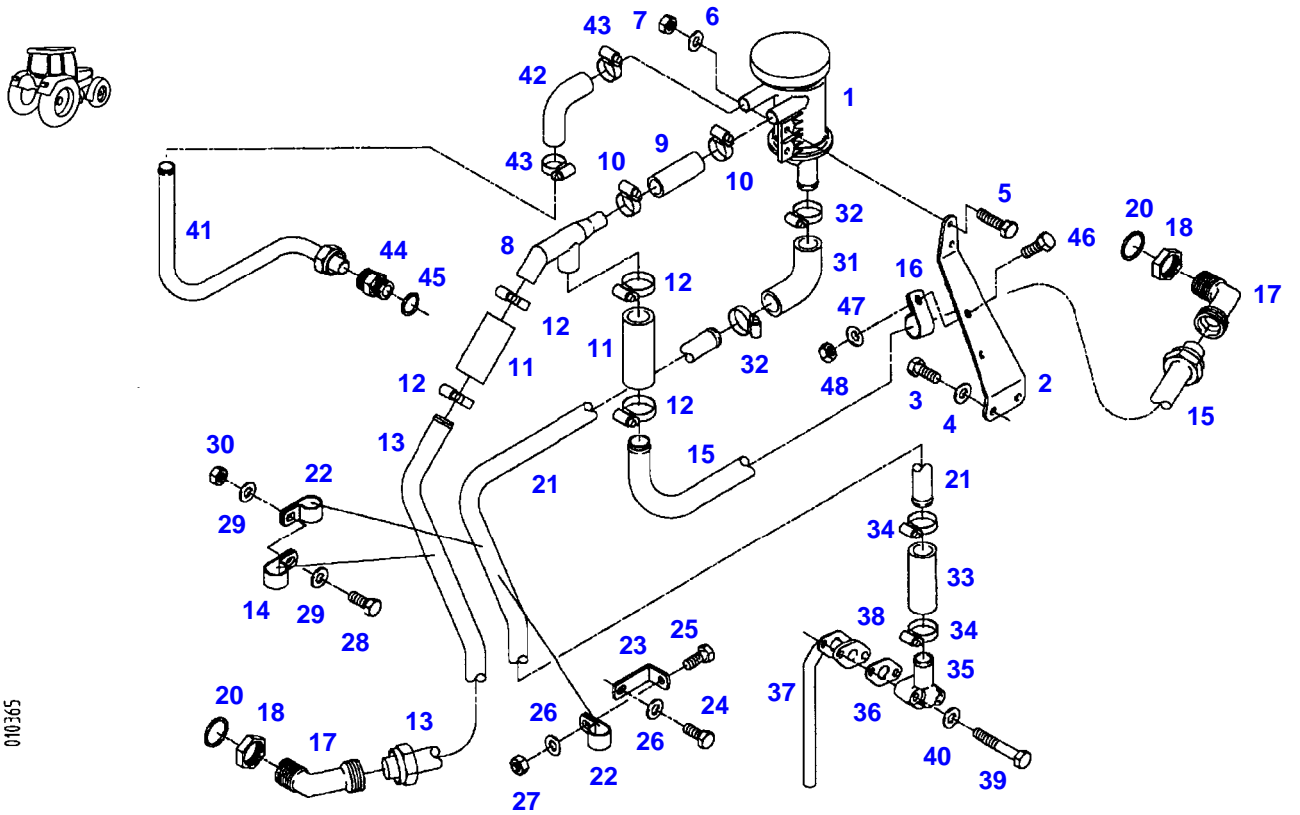
<https://www.ebooklibonline.com>

If the above button click is invalid. Please download this document first, and then click the above link to download the complete manual.

Thank you so much for reading

Item	Part Number	Qty	Description Comments	Technical Specification
	72314426	1	LABEL F,E ENG.NO. <-- 162 7200 000 --> 162 8420 999	
19	72312366	3	SEAL KIT <>	
	72426464	8	HEX BOLT, WITH COLLAR	
20	72423094	1	MARKING PLATE	

FAVORIT 818 (818/00101-99999)
10365



010365

<https://www.ebooklibonline.com>

Hello dear friend!

Thank you very much for reading.

Enter the link into your browser.

The full manual is available for immediate download.

<https://www.ebooklibonline.com>