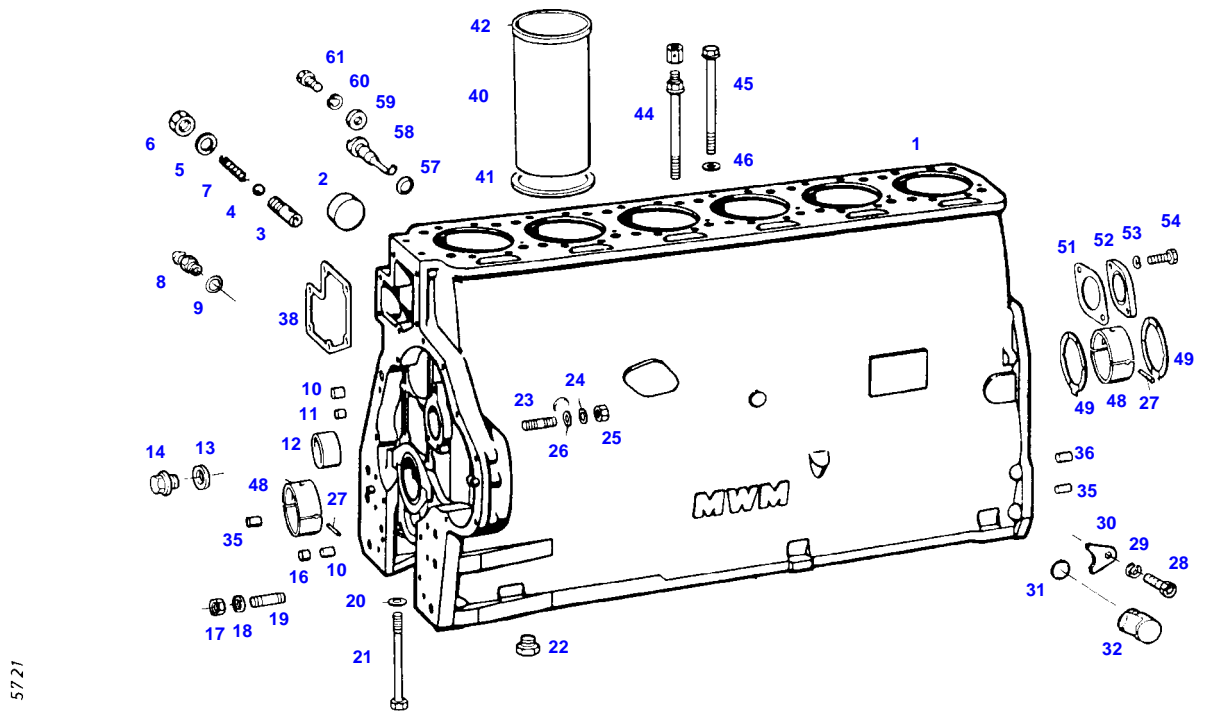


Page Number	Page Title	Page Reference
01-000-TOC	ENGINE, FUEL AND EXHAUST SYSTEM	01-000-TOC
02-000-TOC	AXLES	02-000-TOC
03-000-TOC	STEERING SYSTEM	03-000-TOC
04-000-TOC	DRIVE TRAIN SYSTEM	04-000-TOC
05-000-TOC	COMPRESSED AIR SYSTEM	05-000-TOC
06-000-TOC	HYDRAULIC SYSTEM	06-000-TOC
07-000-TOC	ELECTRICAL SYSTEM	07-000-TOC
08-000-TOC	CAB	08-000-TOC
09-000-TOC	AIR CONDITIONING AND HEATING SYSTEM	09-000-TOC
10-000-TOC	CHASSIS	10-000-TOC
11-000-TOC	WHEELS	11-000-TOC
12-000-TOC	IMPLEMENT LIFT SYSTEM FRONT	12-000-TOC
13-000-TOC	IMPLEMENT LIFT SYSTEM REAR	13-000-TOC
14-000-TOC	FRONT/REAR LOADERS	14-000-TOC
15-000-TOC	ACCESSORIES	15-000-TOC

FAVORIT 614 (384/00001-99999)
5721



5721

Item	Part Number	Qty	Description Comments	Technical Specification
			<-- 384/2001	
	72431113	1	DIESEL ENGINE TURBO CLUTCH F384	
	72431114	1	DIESEL ENGINE CONVERTER F384	
1	72343994	1	CRANKCASE ><1-32 <-- F385.200.210.010 <>	
	72340921	1	MIDGRIP NUT	
	72326139	1	PIPE PIECE	
	72340920	1	DISC	
	72315054	4	SPLIT WASHER	FWN 65208-10-A3L
2	72377226	5	COVER	DIN 443-50
3	72341074	1	SCREW PIECE	
4	72378872	1	BALL	DIN 5401-9,0MM
5	72315095	1	SEALING WASHER	DIN 7603 A14X20-CU
6	72341076	1	CAP NUT	
7	72341075	1	COMPRESSION SPRING	
8	72396595	1	HOSE BARB	
9	72315101	1	SEALING WASHER	DIN 7603 A22X27-CU
10	72327773	3	PLUG 14 MM	
11	72327772	10	PLUG 10 MM	
12	72329540	1	BUSH	
	72332989	1	BUSH REPAIR STEP	
13	72315088	1	SEALING WASHER	DIN 7603 A10X13,5-CU
14	72315436	1	SCREW	DIN 908 M10X1-ST A3L
16	72327068	2	PLUG	
17	72340921	1	MIDGRIP NUT	
18	72340920	1	DISC	
19	72374623	1	STUD BOLT	DIN 939-M8X25-8.8
20	72324592	14	DISC	
21	72327081	14	HEXAGONAL HEAD BOLT	
22	72373972	1	PLUG	DIN 910 M16X1,5-ST
23	72313777	4	STUD BOLT	DIN 939 M10X35-8.8
24	72375420	4	TOOTHLOCK WASHER	DIN 6797 A10,5
25	72313272	4	NUT	DIN 934 M10-8A3L
26	72311789	4	DISC	DIN 125-10,5-ST.A3L
27	72375130	7	TENSIONING PIN	ISO8752-4X8-A-ST-ZNPH
28	72374039	1	SOCKET HEAD BOLT	DIN 912 M8X16-10.9
29	72315053	1	SPLIT WASHER	FWN 65208-8-A3L
30	72343890	1	RETAINING SHEET METAL	
31	72343889	1	SEAL	
32	72343888	1	MANIFOLD	
35	72313859	4	CYLINDER PIN	DIN 7-8M6X18-ST50K
36	72375324	2	CYLINDER PIN	DIN 7-10M6X28-ST50K
38	72327042	1	MOLDED SEAL	
40	72425044	6	CYLINDER LINER	
	72416175	6	CYLINDER LINER OVERLAP 0,05 MM	
	72416176	6	CYLINDER LINER OVERLAP 0,1 MM	
41	72343893	12	SEAL	
42	72329541	12	SEAL	
44	72333014	2	HEXAGONAL HEAD BOLT MUST NOT BE RETIGHTENED	

<https://www.ebooklibonline.com>

Hello dear friend!

Thank you very much for reading.

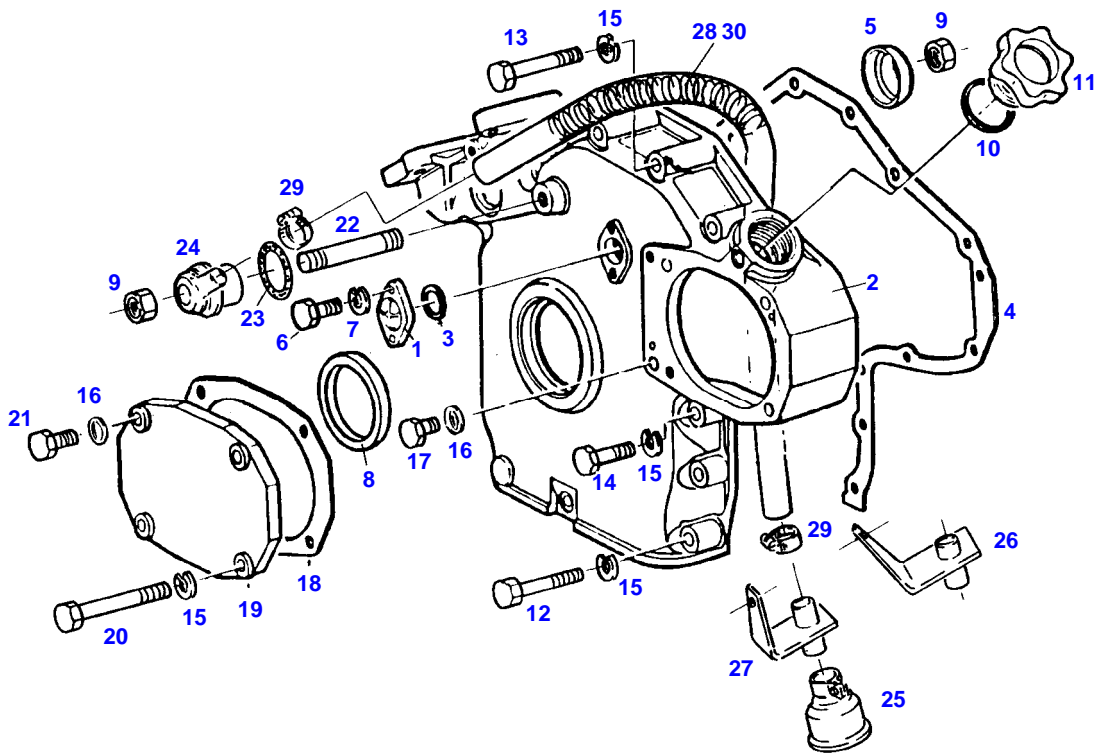
Enter the link into your browser.

The full manual is available for immediate download.

<https://www.ebooklibonline.com>

Item	Part Number	Qty	Description Comments	Technical Specification
45	72333013	22	SOCKET HEAD BOLT MUST NOT BE RETIGHTENED	
46	72324592	22	DISC	
48	72343995	7	MAIN BEARING 70,00 MM	
	72343996	7	MAIN BEARING 69,79 MM	
	72343997	7	MAIN BEARING 69,54 MM	
	72343998	7	MAIN BEARING 69,29 MM	
	72343999	7	MAIN BEARING 69,04 MM	
49	72343910	2	THRUST RING 70,00 MM	
	72343911	2	THRUST RING 69,79 MM	
	72343912	2	THRUST RING 69,54 MM	
	72343913	2	THRUST RING 69,04 MM	
51	72333001	1	SEAL	
52	72343896	1	COVER	
53	72315053	2	SPLIT WASHER	FWN 65208-8-A3L
54	72315650	2	HEXAGONAL HEAD BOLT	DIN 933 M8 X 20-8.8A3L
57	72376423	1	O-RING	14X3-NBR 70 FWN56402
58	72334018	1	NOZZLE	
59	72334019	1	DISC	
60	72315053	1	SPLIT WASHER	FWN 65208-8-A3L
61	72315642	1	HEXAGONAL HEAD BOLT	DIN 933 M8 X 16-8.8A3L
62	72376238	1	SEAL KIT TD 226 B-6 NOT ILLUSTRATED	TD226-6B

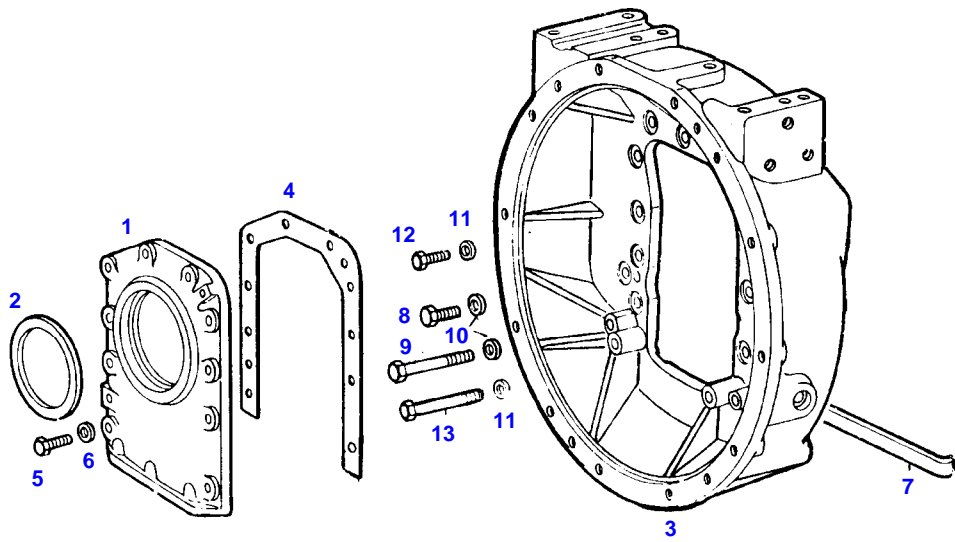
FAVORIT 614 (384/00001-99999)
3226



3226

Item	Part Number	Qty	Description Comments	Technical Specification
1	72343896	1	COVER	
2	72340126	1	CRANKCASE END COVER	
	72312910	1	DECAL	
3	72376544	1	O-RING	42,2X3-NBR 70 FWN56402
4	72330757	1	MOLDED SEAL	
5	72326904	1	COVER PANEL	
6	72315650	2	HEXAGONAL HEAD BOLT	DIN 933 M8 X 20-8.8A3L
7	72317121	2	SPRING WASHER	DIN 137 B8-MECH.VZK
8	72332982	1	RADIAL SEALING RING	
9	72372804	2	NUT	DIN 934 M6-10
10	72376514	1	O-RING	32X4-NBR 70 FWN56402
11	72321607	1	PLUG	
12	72374372	7	HEXAGONAL HEAD BOLT	DIN 931 M8X45S-8.8
13	72315534	5	HEXAGONAL HEAD BOLT	DIN 931 M8 X 70-8.8
14	72315660	1	HEXAGONAL HEAD BOLT	DIN 933 M8X35-8.8A3L
15	72315053	16	SPLIT WASHER	FWN 65208-8-A3L
16	72315087	2	SEALING WASHER	DIN 7603 A8X14-CU
17	72315644	1	HEXAGONAL HEAD BOLT	DIN 933 M8X10-8.8A3L
18	72330759	1	MOLDED SEAL	
19	72409856	1	COVER	
20	72315525	2	HEXAGONAL HEAD BOLT	DIN 931 M8 X 90-8.8A3L
21	72315759	2	HEXAGONAL HEAD BOLT	DIN 933 M8X25 SK-8.8
22	72326906	1	THREADED PIN	
23	72376538	1	O-RING	40X4
24	72326907	1	HOUSING	
25	72340891	1	OIL-WETTED AIR CLEANER	
26	72343883	1	RETAINER <-- 384/2001	
27	72340890	1	GUSSET PLATE --> 384/2000	
28	72436284	1	HOSE 1X 580MM CUT TO LENGTH	L=1120 FWN65912-19X3-PVC-W-G
29	72311166	2	HOSE CLIP	
30	72407980	1	COMPRESSION SPRING	

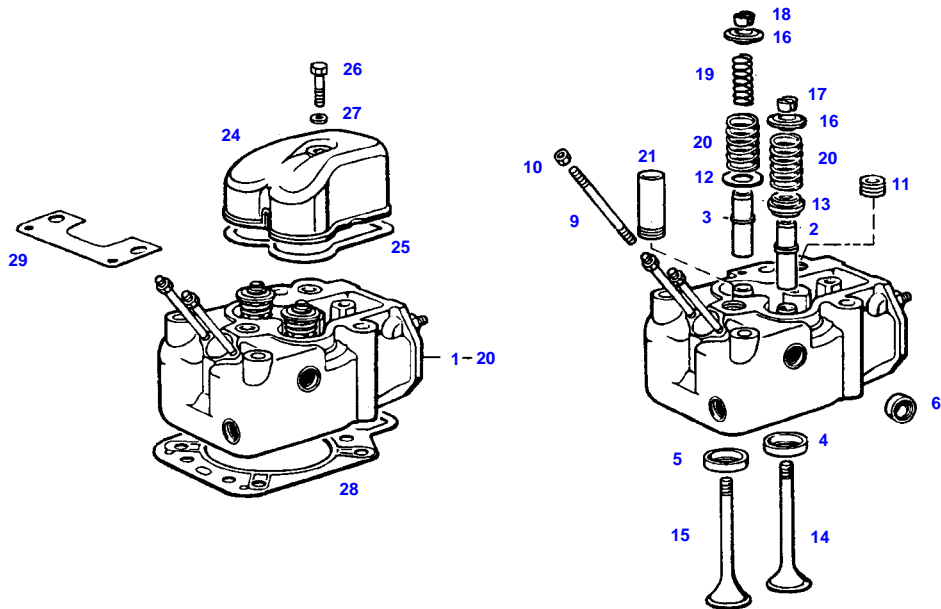
FAVORIT 614 (384/00001-99999)
3222



3222

Item	Part Number	Qty	Description Comments	Technical Specification
1	72330754	1	CRANKCASE END COVER ><1+2	
2	72376834	1	SHAFT SEAL	110X130X14,5
3	72409003	1	FLYWHEEL HOUSING	
	72409295	1	FLYWHEEL HOUSING CONVERTER	
4	72330755	1	MOLDED SEAL	
5	72315759	10	HEXAGONAL HEAD BOLT	DIN 933 M8X25 SK-8.8
6	72317121	10	SPRING WASHER	DIN 137 B8-MECH.VZK
7	72325584	1	RUBBER STRIP	
8	72374468	4	HEXAGONAL HEAD BOLT	DIN 933 M12X40-12.9
9	72374223	4	HEXAGONAL HEAD BOLT	DIN 931 M12X85-12.9
10	72341067	8	DISC	
11	72341066	12	DISC	
12	72374435	10	HEXAGONAL HEAD BOLT	DIN933 M10X33 GWA-10.9
13	72374189	2	HEXAGONAL HEAD BOLT	DIN 931 M10X85-12.9

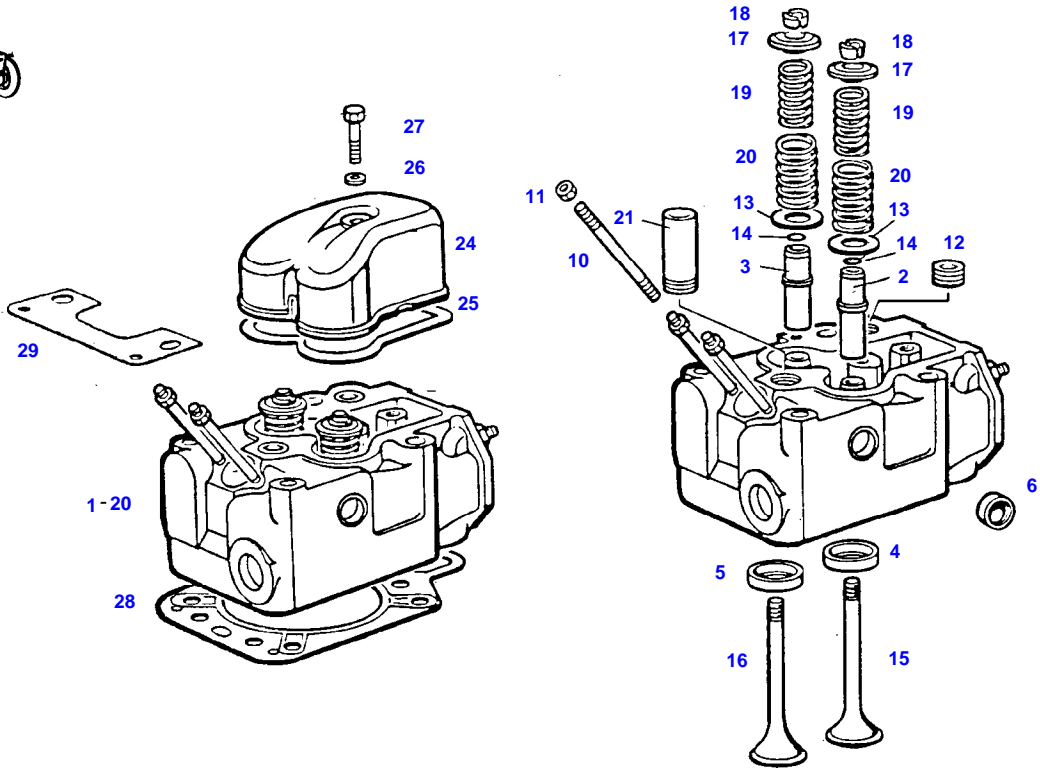
FAVORIT 614 (384/00001-99999)
6164



6164

Item	Part Number	Qty	Description Comments	Technical Specification
			--> 384/2000	
1	72341086	6	CYLINDER HEAD ><1-20 WITH EXHAUST BRAKE: EXCHANGE SPRING AND WASHER	
	72341088	6	CYLINDER HEAD ><1-11	
2	72341089	6	VALVE GUIDE INTAKE	
3	72327062	6	VALVE GUIDE OUTLET	
4	72341096	6	VALVE SEAT RING INTAKE	
5	72332174	6	VALVE SEAT RING OUTLET	
6	72311455	24	COVER	
9	72374632	12	STUD BOLT	DIN 939 M8X55-8.8
10	72313268	12	NUT	DIN 934 M8-8A3L
11	72373948	6	PLUG SCREW	DIN 906 M22X1,5-ST
12	72326923	6	DISC	
	72340915	6	DISC ENGINE BRAKE	
13	72341091	6	ROTO CAP	
14	72341097	6	POPPET INTAKE	
15	72341093	6	POPPET OUTLET	
16	72327093	12	SPRING RETAINER	
17	72341094	12	VALVE SPRING KEY INTAKE	
18	72327092	12	TAPER PIECE HALF OUTLET	
19	72340914	6	VALVE SPRING ENGINE BRAKE OUTLET	
20	72327057	12	COMPRESSION SPRING	
	72327057	6	COMPRESSION SPRING INTAKE ENGINE BRAKE	
	72340913	6	VALVE SPRING ENGINE BRAKE OUTLET	
21	72330762	6	PIPE PIECE	
24	72334863	6	CYLINDER HEAD COVER	
25	72334861	6	MOLDED SEAL	
26	72315691	6	HEXAGONAL HEAD BOLT	DIN 933 M10X40-8.8A3L
27	72315089	6	SEALING WASHER	DIN 7603 A10X16-CU
28	72326269	X	CYLINDER HEAD GASKET 1,4 MM	
29	72409006	6	RETAINING SHEET METAL	

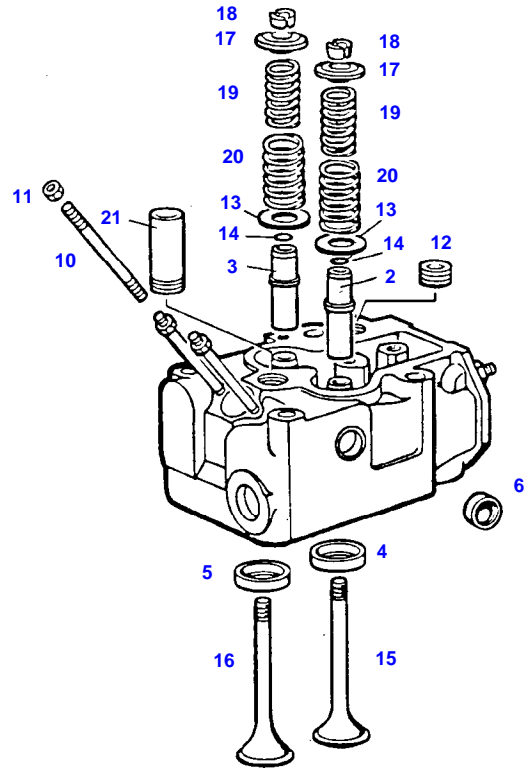
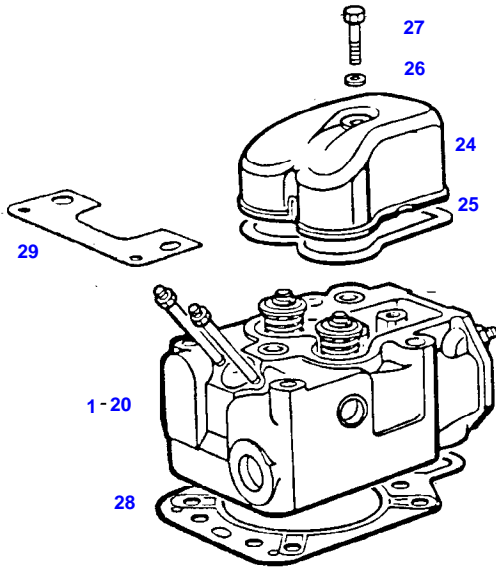
FAVORIT 614 (384/00001-99999)
6066



6066

Item	Part Number	Qty	Description Comments	Technical Specification
ENGINE B				
1	72343643	6	CYLINDER HEAD ><1-20	
2	72343644	6	VALVE GUIDE INTAKE	
3	72343645	6	VALVE GUIDE OUTLET	
4	72343646	6	VALVE SEAT RING 43,2 MM INTAKE	
	72343650	6	VALVE SEAT RING 48,2 MM INTAKE	
5	72343902	6	VALVE SEAT RING OUTLET	
6	72311455	24	COVER	
10	72374627	12	STUD BOLT	DIN 939 M8X40-8.8
11	72313268	12	NUT	DIN 934 M8-8A3L
12	72373948	6	PLUG SCREW	DIN 906 M22X1,5-ST
13	72340915	12	DISC	
14	72343647	12	SEAL	
15	72343648	6	POPPET 42 MM INTAKE	
	72343651	6	POPPET 47 MN INTAKE	
16	72343905	6	POPPET OUTLET	
17	72327093	12	SPRING RETAINER	
18	72327092	12	TAPER PIECE HALF	
19	72340914	12	VALVE SPRING	
20	72340913	12	VALVE SPRING	
21	72344000	6	PIPE PIECE	
24	72343906	6	CYLINDER HEAD COVER	
25	72343908	6	MOLDED SEAL	
26	72315087	6	SEALING WASHER	DIN 7603 A8X14-CU
27	72315659	6	HEXAGONAL HEAD BOLT	DIN 933 M8X35-8.8
28	72343992	6	CYLINDER HEAD GASKET	
29	72409306	6	RETAINING SHEET METAL	

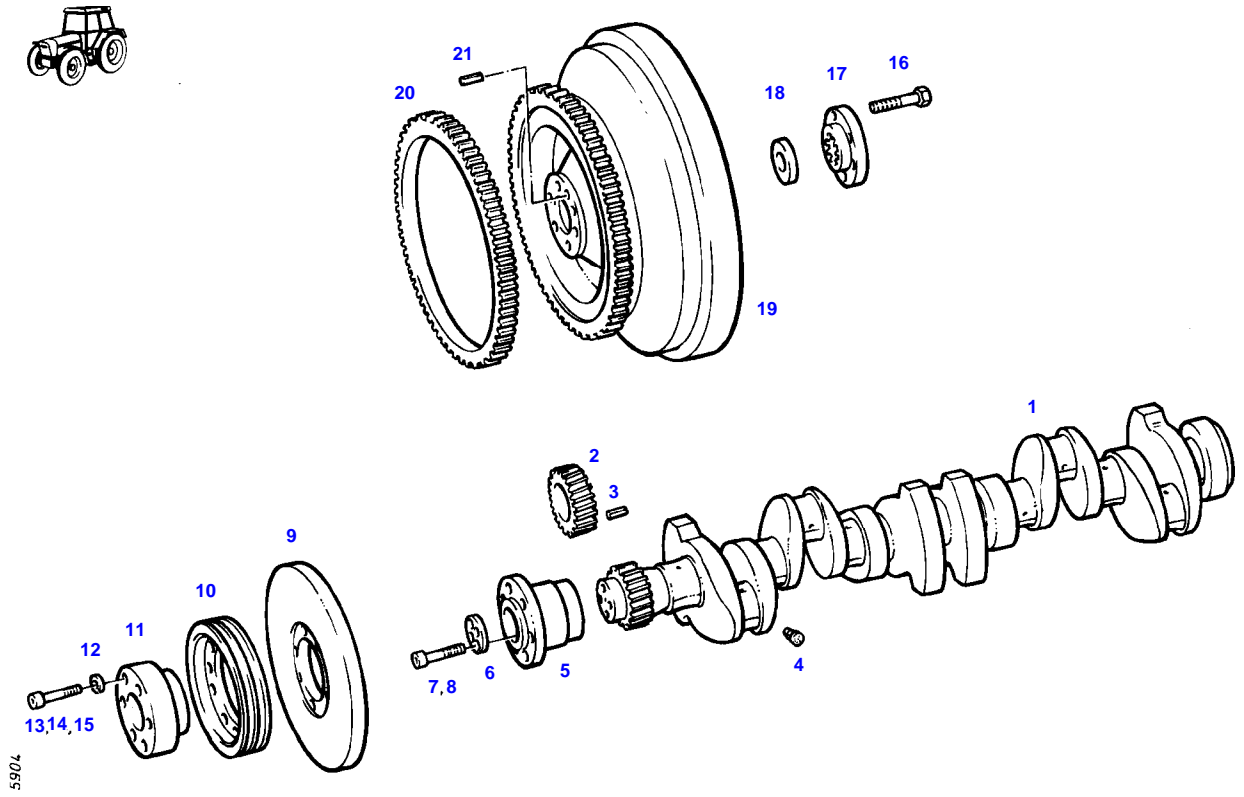
FAVORIT 614 (384/00001-99999)
6066



6066

Item	Part Number	Qty	Description Comments	Technical Specification
			<-- 384/2001	
1	72343643	6	CYLINDER HEAD ><1-20	
2	72343644	6	VALVE GUIDE INTAKE	
3	72343645	6	VALVE GUIDE OUTLET	
4	72343646	6	VALVE SEAT RING ENG.NO. 43,2 MM --> 226.6.B750507 INTAKE	
	72343650	6	VALVE SEAT RING ENG.NO. 48,2 MM <-- 226.6.B750508 INTAKE	
5	72343902	6	VALVE SEAT RING OUTLET	
6	72311455	24	COVER	
10	72374627	12	STUD BOLT	DIN 939 M8X40-8.8
11	72313268	12	NUT	DIN 934 M8-8A3L
12	72373948	6	PLUG SCREW	DIN 906 M22X1,5-ST
13	72340915	12	DISC	
14	72343647	12	SEAL	
15	72343648	6	POPPET ENG.NO. 42 MM --> 226.6.B750507 INTAKE	
	72343651	6	POPPET ENG.NO. 47 MM <-- 226.6.B750508 INTAKE	
16	72343905	6	POPPET OUTLET	
17	72327093	12	SPRING RETAINER	
18	72327092	12	TAPER PIECE HALF	
19	72340914	12	VALVE SPRING	
20	72340913	12	VALVE SPRING	
21	72397409	6	PIPE PIECE	
24	72343906	6	CYLINDER HEAD COVER	
25	72343908	6	MOLDED SEAL	
26	72315087	6	SEALING WASHER	DIN 7603 A8X14-CU
27	72315659	6	HEXAGONAL HEAD BOLT	DIN 933 M8X35-8.8
28	72343992	6	CYLINDER HEAD GASKET	
29	72409306	6	RETAINING SHEET METAL	

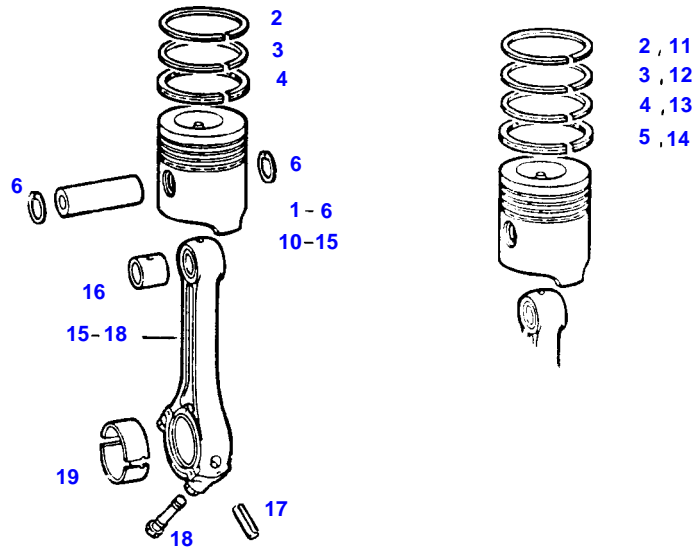
FAVORIT 614 (384/00001-99999)
5904



Item	Part Number	Qty	Description Comments	Technical Specification
1	72332581	1	CRANKSHAFT ><1-4 <-- F312.200.310.010 1X	
2	72341105	1	SPUR GEAR	
3	72375132	1	TENSIONING PIN	ISO8752-4X18-A-ST-ZNPHR10F-KOE
4	72337059	6	PLUG	
5	72344001	1	HUB ENG.NO. --> 226.6.2.94404 <> <>	
	72374117	4	SOCKET HEAD BOLT	DIN 912 M16X60-12.9
	72315502	9	SOCKET HEAD BOLT	DIN 912 M10X50-10.9
	72344002	1	VIBRATION DAMPER	
	72341109	1	DISC	
	72409349	1	V BELT SHEAVE	
	72344001	1	HUB --> 384/2000 ENGINE B	
6	72341109	1	DISC <-- NR.226.6.2.94405 ENG.NO.	
	72341109	1	DISC --> 384/2000 ENGINE B	
7	72374113	4	SOCKET HEAD BOLT --> 226.6.2.94404 ENG.NO.	DIN 912 M16X50-10.9
8	72374117	4	SOCKET HEAD BOLT <-- 226.6.2.94405 ENG.NO.	DIN 912 M16X60-12.9
	72374117	4	SOCKET HEAD BOLT --> 384/2000 ENGINE B	DIN 912 M16X60-12.9
9	72344002	1	VIBRATION DAMPER ENG.NO. --> 226.6.2.94404 <> <>	
	72344001	1	HUB	
	72374117	4	SOCKET HEAD BOLT	DIN 912 M16X60-12.9
	72341109	1	DISC	
	72315502	9	SOCKET HEAD BOLT	DIN 912 M10X50-10.9
	72409349	1	V BELT SHEAVE	
10	72409349	1	V BELT SHEAVE WITH DUO-SPEED --> 384/2225 <> <>	
	72371752	1	FLANGE	
11	72409298	1	INTERMEDIATE RING FRONT P.T.O. --> 384/2134	
12	72317122	9	SPRING WASHER	DIN 137 B10-MECH.VZK
13	72374046	9	SOCKET HEAD BOLT --> 226.6.2.94404 ENG.NO.	DIN 912 M10X20-10.9
14	72315495	9	SOCKET HEAD BOLT <-- 226.6.2.94405 ENG.NO.	DIN 912 M10X30-10.9
	72315495	9	SOCKET HEAD BOLT --> 384/2000 ENGINE B	DIN 912 M10X30-10.9
15	72374058	9	SOCKET HEAD BOLT FRONT P.T.O. --> 384/2134	DIN 912 M10X70-10.9
	72315502	9	SOCKET HEAD BOLT <-- 384/2135	DIN 912 M10X50-10.9
16	72374113	6	SOCKET HEAD BOLT	DIN 912 M16X50-10.9

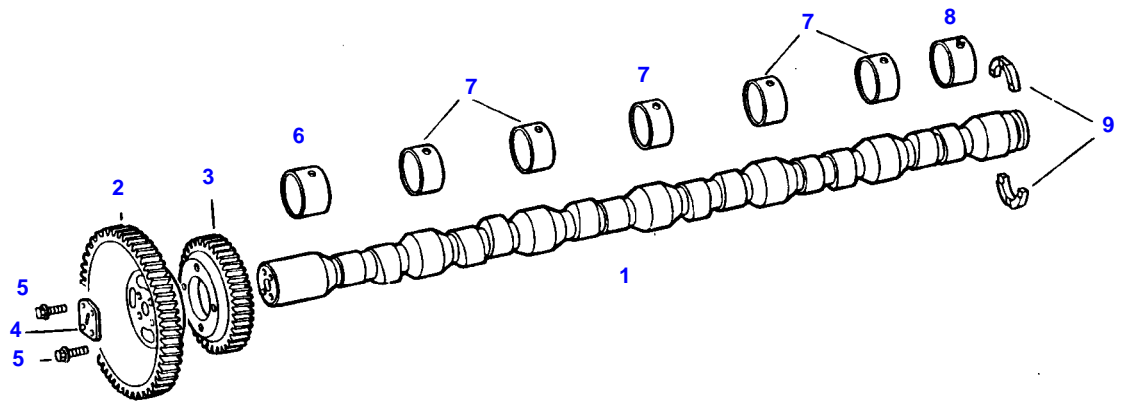
Item	Part Number	Qty	Description Comments	Technical Specification
17	72405987	1	COUPLING FLANGE	
	72409297	1	COUPLING FLANGE CONVERTER	
18	72341111	1	FLANGE BUSHING	
19	72343593	1	FLYWHEEL ><19+20	
	72343918	1	FLYWHEEL CONVERTER	
20	72330772	1	RING GEAR	
21	72375149	1	TENSIONING PIN --> 384/2000	ISO8752-6X10-A-ST
	72329545	1	PIN <-- 384/2001	

FAVORIT 614 (384/00001-99999)
5857



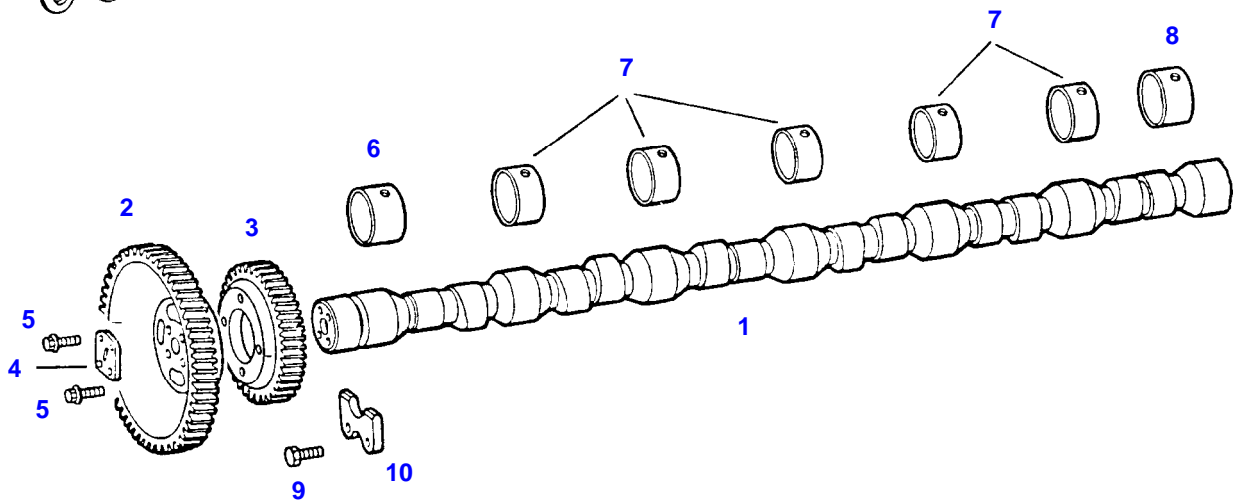
5857

Item	Part Number	Qty	Description Comments	Technical Specification
1	72341130	6	PISTON ENG.NO. --> 226.6.2.95331 105 MM ><1-6	
	72343652	6	PISTON ENG.NO. <-- 226.6.2.95332 105 MM ><1-6	
	72333026	6	PISTON 105 MM ENGINE B	
2	72329077	6	KEYSTONE RING GROOVE 1	
	72333027	6	PISTON RING KIT ><3,4 GROOVE 1 ENGINE B	
3	72331781	6	TAPERED COMPRESSION RING GROOVE 2	
4	72341114	6	WEDGE-SECTION RING GROOVE 3	
6	72332584	12	LOCKWASHER	
10			ENG.NO. NO LONGER AVAILABLE --> 226.6.2.95331 105,5 MM ><10-14	
	72343653	6	PISTON ENG.NO. <-- 226.6.2.95332 105,5 MM ><10-14	
11	72329079	6	KEYSTONE RING GROOVE 1	
12	72331787	6	TAPERED COMPRESSION RING GROOVE 2	
13	72326281	6	DOUBLE BEVELLED OIL CONTROL RING GROOVE 3	
14	72332584	12	LOCKWASHER	
15	72341117	6	PISTON ROD ><15-18 --> 384/2000	
	72343926	6	PISTON ROD ><15-18 <-- 384/2001	
16	72341118	6	SMALL-END BUSH	
17	72313802	6	TENSIONING PIN	ISO8752-4X16-A-ST-ZNPHR10F-KOE
18	72327143	12	CONNECTING ROD BOLT	
19	72341119	6	CONNECTING ROD BEARING 63,00 MM	
	72341120	6	CONNECTING ROD BEARING 62,75 MM	
	72341121	6	CONNECTING ROD BEARING 62,50 MM	
	72341122	6	CONNECTING ROD BEARING 62,25 MM	
	72341123	6	CONNECTING ROD BEARING 62,00 MM	



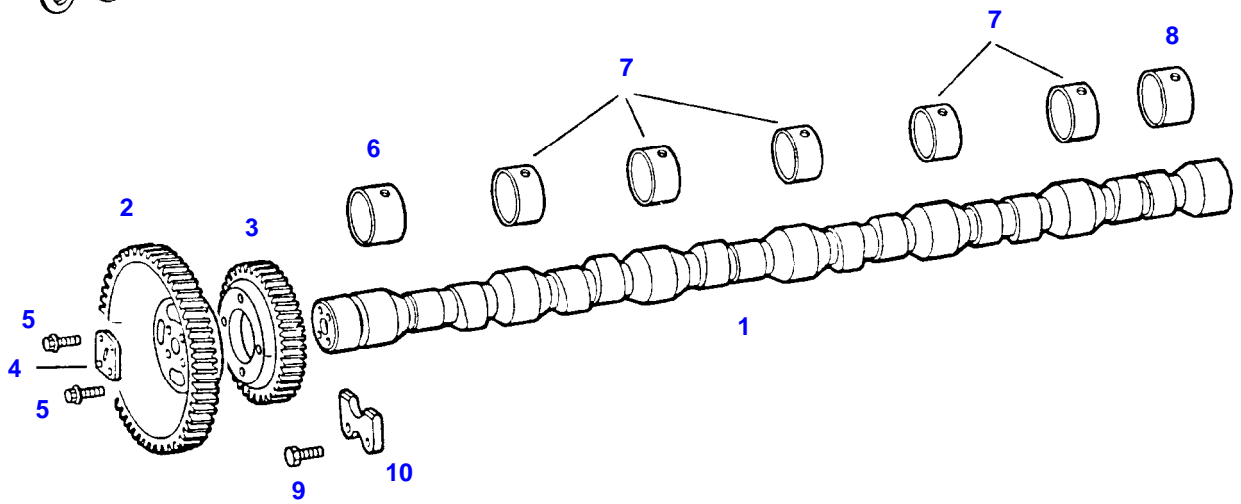
3120

Item	Part Number	Qty	Description Comments	Technical Specification
			--> 384/2000	
1	72332194	1	CAMSHAFT	
2	72330784	1	SPUR GEAR	
3	72327170	1	SPUR GEAR	
4	72331325	1	PROFILED FLANGE	
5	72375063	8	LOCK SCREW	FWN 64993 M8X22-12.9
6	72330749	1	BUSH	
7	72325609	5	BUSH	
			REPAIR STEP	
8	72340922	1	BUSH	
			REPAIR STEP	
9	72332195	2	DISC	



5723

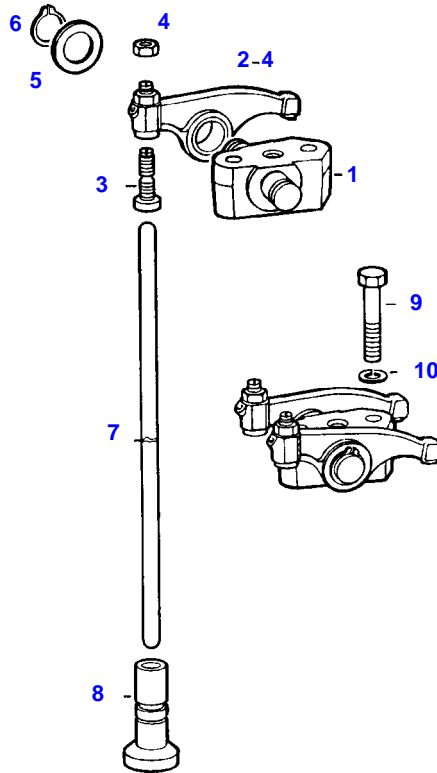
Item	Part Number	Qty	Description Comments	Technical Specification
ENGINE B				
1	72333000	1	CAMSHAFT	
2	72343928	1	SPUR GEAR	
3	72343929	1	SPUR GEAR	
4	72331325	1	PROFILED FLANGE	
5	72375063	8	LOCK SCREW	FWN 64993 M8X22-12.9
6	72330749	1	BUSH	
7	72332990	5	BUSH	
			REPAIR STEP	
8	72332989	1	BUSH	
			REPAIR STEP	
9	72375061	2	LOCK SCREW	W151.12 M8X16-90
10	72343930	1	SEGMENT	



5723

Item	Part Number	Qty	Description Comments	Technical Specification
			<-- 384/2001	
1	72333000	1	CAMSHAFT	
2	72343928	1	SPUR GEAR	
3	72343929	1	SPUR GEAR	
4	72331325	1	PROFILED FLANGE	
5	72375063	8	LOCK SCREW	FWN 64993 M8X22-12.9
6	72329540	1	BUSH	
7	72332990	5	BUSH	
			REPAIR STEP	
8	72332989	1	BUSH	
			REPAIR STEP	
9	72375061	2	LOCK SCREW	W151.12 M8X16-90
10	72343930	1	SEGMENT	

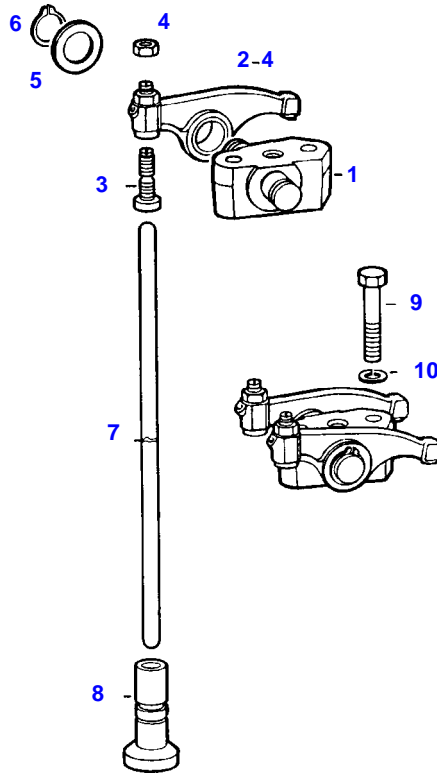
FAVORIT 614 (384/00001-99999)
3121



3121

Item	Part Number	Qty	Description Comments	Technical Specification
			--> 384/2000	
1	72326928	6	ROCKER ARM SUPPORT <>5 <>	
	72321237	24	DISC	
2	72326251	12	ROCKER ARM ><2-4	
3	72328652	12	ADJUSTING SCREW	
4	72313268	12	NUT	DIN 934 M8-8A3L
5	72321237	24	DISC	
6	72375559	12	LOCK WASHER	DIN 471-16X1
7	72330785	12	BUMPER	
8	72334866	12	MUSHROOM TAPPET	
9	72315691	12	HEXAGONAL HEAD BOLT	DIN 933 M10X40-8.8A3L
10	72315054	12	SPLIT WASHER	FWN 65208-10-A3L

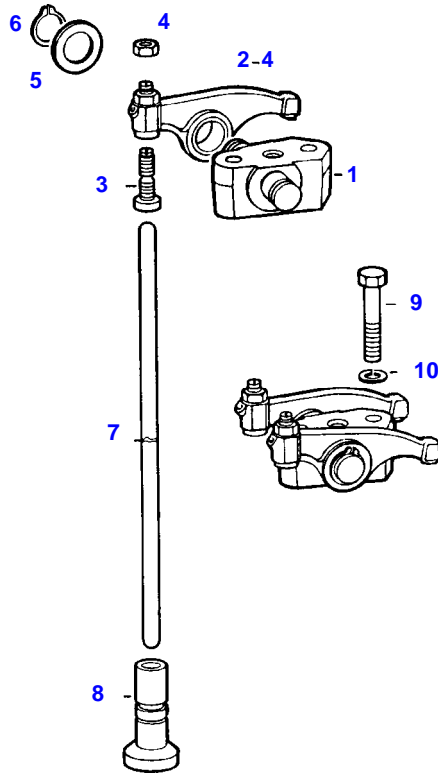
FAVORIT 614 (384/00001-99999)
3121



3121

Item	Part Number	Qty	Description Comments	Technical Specification
ENGINE B				
1	72343933	6	ROCKER ARM SUPPORT	
2	72343934	12	ROCKER ARM ><2-4	
3	72343935	12	ADJUSTING SCREW	
4	72343936	12	NUT	
5	72321237	24	DISC	
6	72375559	12	LOCK WASHER	DIN 471-16X1
7	72330785	12	BUMPER	
8	72343937	12	MUSHROOM TAPPET	
	72423816	12	MUSHROOM TAPPET OVERSIZE 19,5 MM	
9	72315691	12	HEXAGONAL HEAD BOLT	DIN 933 M10X40-8.8A3L
10	72315054	12	SPLIT WASHER	FWN 65208-10-A3L

FAVORIT 614 (384/00001-99999)
3121

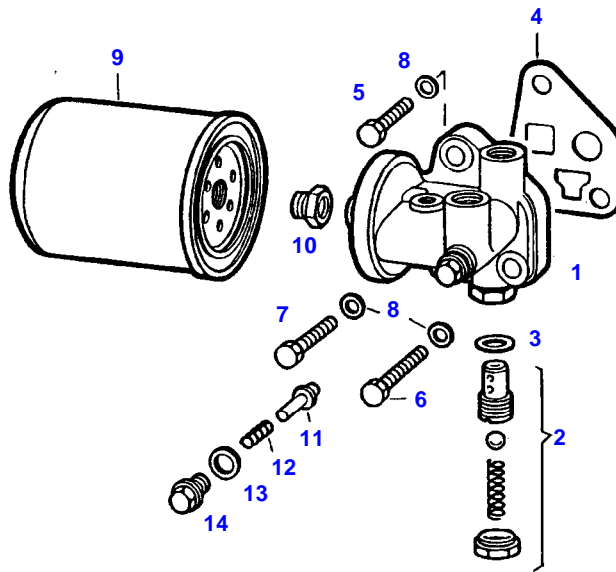


3121

Item	Part Number	Qty	Description Comments	Technical Specification
			<-- 384/2001	
1	72343933	6	ROCKER ARM SUPPORT	
2	72343934	12	ROCKER ARM ><2-4	
3	72343935	12	ADJUSTING SCREW	
4	72343936	12	NUT	
5	72321237	24	DISC	
6	72375559	12	LOCK WASHER	DIN 471-16X1
7	72330785	12	BUMPER	
8	72343937	12	MUSHROOM TAPPET	
	72423816	12	MUSHROOM TAPPET OVERSIZE 19,5 MM	
9	72315691	12	HEXAGONAL HEAD BOLT	DIN 933 M10X40-8.8A3L
10	72315054	12	SPLIT WASHER	FWN 65208-10-A3L

Item	Part Number	Qty	Description Comments	Technical Specification
1	72332579	1	OIL PAN ><1-6	
2	72373986	1	SCREW	
3	72332580	1	SEALING WASHER	
4	72340912	2	WASHER PLATE	
5	72374587	4	HEXAGONAL HEAD BOLT	DIN 933 M8X12 SZ-8.8
6	72315053	6	SPLIT WASHER	FWN 65208-8-A3L
7	72340911	1	MOLDED SEAL	
8	72343548	1	DIPSTICK ><9 --> 384/2748 <>10,30-36 <>	
	72311246	1	PIPE CLAMP	
	72343549	1	PIPE PIECE	
	72313268	1	NUT	DIN 934 M8-8A3L
	72313266	1	NUT	DIN 934 M6-8A3L
	72315631	1	HEXAGONAL HEAD BOLT	DIN 933 M6 X 20-8.8A3L
	72315642	1	HEXAGONAL HEAD BOLT	DIN 933 M8 X 16-8.8A3L
	72343550	1	RETAINER	
	72315053	1	SPLIT WASHER	FWN 65208-8-A3L
9	72376384	1	O-RING	7,3X2,4
10	72343549	1	PIPE PIECE --> 384/2748 <>8,30-36 <>	
	72343550	1	RETAINER	
	72315053	1	SPLIT WASHER	FWN 65208-8-A3L
	72313268	1	NUT	DIN 934 M8-8A3L
	72343548	1	DIPSTICK	
	72315642	1	HEXAGONAL HEAD BOLT	DIN 933 M8 X 16-8.8A3L
	72313266	1	NUT	DIN 934 M6-8A3L
	72311246	1	PIPE CLAMP	
	72315631	1	HEXAGONAL HEAD BOLT	DIN 933 M6 X 20-8.8A3L
11	72374024	7	SOCKET HEAD BOLT	DIN 912-M8X45-10.9
12	72374025	18	SOCKET HEAD BOLT	DIN 912 M8X55-10.9
	72315484	18	SOCKET HEAD BOLT ENGINE B	DIN 912 M8X65-10.9A3L
13	72315488	2	SOCKET HEAD BOLT	DIN 912 M8X90-10.9
	72451941	2	SOCKET HEAD BOLT ENGINE B	DIN 912 M8X100-10.9
14	72374040	6	SOCKET HEAD BOLT	DIN 912 M8X130-10.9
	72374038	6	SOCKET HEAD BOLT ENGINE B	DIN 912 M8X140-10.9
15	72315511	4	SOCKET HEAD BOLT	DIN 912 M12X40-10.9
16	72340918	1	LUBE OIL SUCTION LINE	
17	72376491	1	O-RING	25X4-FPM 70 FWN56402
18	72315642	2	HEXAGONAL HEAD BOLT	DIN 933 M8 X 16-8.8A3L
19	72313268	2	NUT	DIN 934 M8-8A3L
20	72315053	2	SPLIT WASHER	FWN 65208-8-A3L
21	72330779	1	GUSSET PLATE	
22	72340917	1	OIL GEAR PUMP	
23	72375067	1	LOCK SCREW	FWN 64993 M8X35-90
24	72375063	1	LOCK SCREW	FWN 64993 M8X22-12.9
25	72374623	1	STUD BOLT	DIN 939-M8X25-8.8
26	72340920	1	DISC	
27	72340921	1	MIDGRIP NUT	
30	72343550	1	RETAINER	
31	72311246	1	PIPE CLAMP	
32	72315631	1	HEXAGONAL HEAD BOLT	DIN 933 M6 X 20-8.8A3L
33	72313266	1	NUT	DIN 934 M6-8A3L
34	72315642	1	HEXAGONAL HEAD BOLT	DIN 933 M8 X 16-8.8A3L
35	72315053	1	SPLIT WASHER	FWN 65208-8-A3L
36	72313268	1	NUT	DIN 934 M8-8A3L

FAVORIT 614 (384/00001-99999)
6165



6165



Suggest:

For more complete manuals. Please go to the home page.

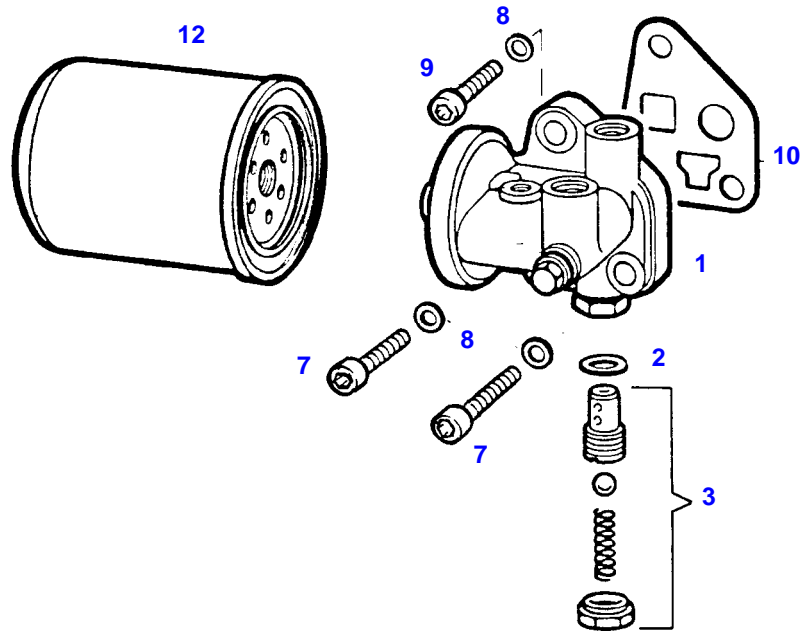
<https://www.ebooklibonline.com>

If the above button click is invalid. Please download this document first, and then click the above link to download the complete manual.

Thank you so much for reading

Item	Part Number	Qty	Description Comments	Technical Specification
			--> 384/2000	
1	72341127	1	FILTER HEAD ><1-3 <> X496 030 101 (1X) <>	
	72374991	1	SOCKET HEAD BOLT	DIN 7984 M10X30-8.8
2	72341134	1	VALVE M 18X1,5	
	72341135	1	VALVE M 20X1,5	
3	72315099	1	SEALING WASHER	DIN 7603 A18X22-CU
4	72327148	1	MOLDED SEAL	
5	72315685	1	HEXAGONAL HEAD BOLT	DIN 933 M10X30-8.8A3L
	72374991	1	SOCKET HEAD BOLT	DIN 7984 M10X30-8.8
6	72315689	1	HEXAGONAL HEAD BOLT	DIN 933 M10X35-8.8A3L
	72374992	1	SOCKET HEAD BOLT	DIN 7984 M10X40-8.8
7	72315691	1	HEXAGONAL HEAD BOLT	DIN 933 M10X40-8.8A3L
	72374992	1	SOCKET HEAD BOLT	DIN 7984 M10X40-8.8
8	72317122	3	SPRING WASHER	DIN 137 B10-MECH.VZK
9	72311026	1	OIL FILTER	
10	72340919	1	SCREW NECK	
11	72332190	1	POPPET	
12	72332191	1	COMPRESSION SPRING	
13	72315097	1	SEALING WASHER	DIN 7603 A16X20-CU
14	72332192	1	SCREW	

FAVORIT 614 (384/00001-99999)
5725



5725

<https://www.ebooklibonline.com>

Hello dear friend!

Thank you very much for reading.

Enter the link into your browser.

The full manual is available for immediate download.

<https://www.ebooklibonline.com>