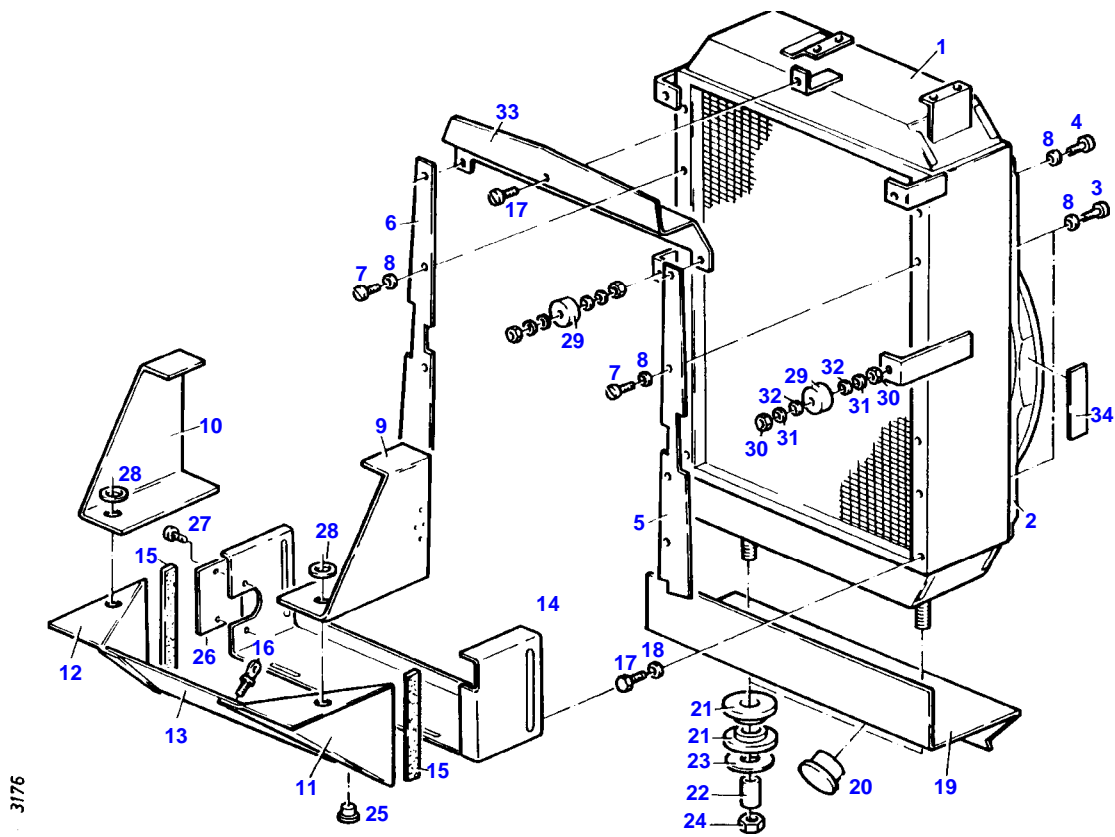


<b>Page Number</b>	<b>Page Title</b>	<b>Page Reference</b>
01-000-TOC	ENGINE, FUEL AND EXHAUST SYSTEM	01-000-TOC
02-000-TOC	AXLES	02-000-TOC
03-000-TOC	STEERING SYSTEM	03-000-TOC
04-000-TOC	DRIVE TRAIN SYSTEM	04-000-TOC
05-000-TOC	COMPRESSED AIR SYSTEM	05-000-TOC
06-000-TOC	HYDRAULIC SYSTEM	06-000-TOC
07-000-TOC	ELECTRICAL SYSTEM	07-000-TOC
08-000-TOC	CAB	08-000-TOC
09-000-TOC	AIR CONDITIONING AND HEATING SYSTEM	09-000-TOC
10-000-TOC	CHASSIS	10-000-TOC
11-000-TOC	WHEELS	11-000-TOC
12-000-TOC	IMPLEMENT LIFT SYSTEM FRONT	12-000-TOC
13-000-TOC	IMPLEMENT LIFT SYSTEM REAR	13-000-TOC
14-000-TOC	FRONT/REAR LOADERS	14-000-TOC
15-000-TOC	ACCESSORIES	15-000-TOC

FAVORIT 612 (383/00001-99999)  
3176



3176

Item	Part Number	Qty	Description Comments	Technical Specification
			--> 383/2000	
1	72364550	1	RADIATOR	
	72364625	1	RADIATOR AIR CONDITION	
2	72409350	1	FAN COVER	
3	72315818	4	SCREW	DIN7976-ST4,2X25-C-A3L
4	72315787	2	SCREW	DIN 7981 B4,2X16-A3L
5	72409063	1	BARRIER WALL	
6	72409064	1	BARRIER WALL	
7	72315781	8	SCREW	DIN 7981 ST3,5X9,5-C-H-A3
	72315812	2	SCREW	DIN 7981 ST4,2X9,5-F-H-A3
8	72311817	14	DISC	DIN9021-4,3-140HV-A3L
9	72409067	1	RETAINER	
10	72409068	1	RETAINER	
11	72405887	1	GUSSET PLATE LEFT	
12	72405890	1	GUSSET PLATE RIGHT	
13	72405892	1	FLOOR SHEET	
14	72364553	1	FRAME	
15	72450971	1	SHAPED CORD 2X 170 MM CUT TO LENGTH	L=1000 FWN 63040 C02
16	72334276	2	CATCH	
17	72374968	5	SCREW	DIN7976-ST4,8X9,5-C-A3L
18	72311818	5	DISC	DIN9021-5,3-140HV-A3L
19	72409062	1	SPLASH PANEL	
20	72375084	1	LOCKING PLUG	SW-F35
21	72311639	4	RADIATOR DAMPER	
22	72310742	2	BUSH	
23	72311849	2	DISC	
24	72313325	2	NUT	DIN 980-VM12-8-A3L
25	72426777	1	LOCKING PLUG	F5
26	72409059	1	COVER PLATE	
27	72315812	2	SCREW	DIN 7981 ST4,2X9,5-F-H-A3
28	72311793	2	DISC	DIN 125-17-ST.A3L
29	72310623	2	BUFFER	
30	72313266	4	NUT	DIN 934 M6-8A3L
31	72311822	4	DISC	DIN9021-6,4-140HV-A3L
32	72317120	4	SPRING WASHER	DIN 137 B6-MECH.VZK
33	72409061	1	SPLASH PANEL	
34	72386100	2	WARNING SIGN D	
	72388085	2	WARNING SIGN GB	
	72388086	2	WARNING SIGN F	
	72388087	2	WARNING SIGN I	
	72388088	2	WARNING SIGN E	

**<https://www.ebooklibonline.com>**

Hello dear friend!

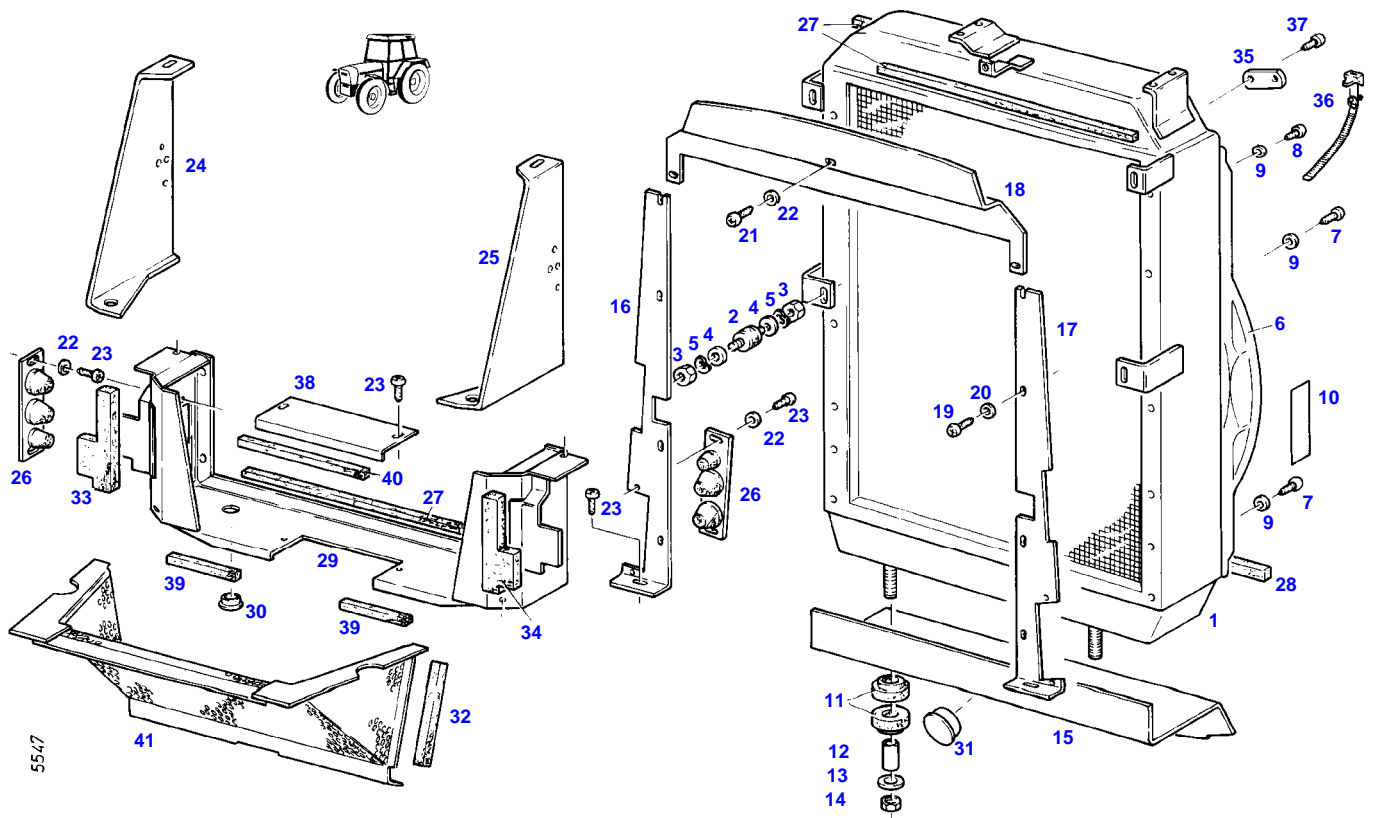
Thank you very much for reading.

Enter the link into your browser.

The full manual is available for immediate download.

**<https://www.ebooklibonline.com>**

FAVORIT 612 (383/00001-99999)  
5547



Item	Part Number	Qty	Description Comments	Technical Specification
			<-- 383/2001	
1	72364677	1	RADIATOR	
2	72310623	2	BUFFER	
3	72313266	4	NUT	DIN 934 M6-8A3L
4	72311822	4	DISC	DIN9021-6,4-140HV-A3L
5	72317120	4	SPRING WASHER	DIN 137 B6-MECH.VZK
6	72409350	1	FAN COVER	
7	72315818	4	SCREW	DIN7976-ST4,2X25-C-A3L
8	72315787	2	SCREW	DIN 7981 B4,2X16-A3L
9	72311817	6	DISC	DIN9021-4,3-140HV-A3L
10	72386100	2	WARNING SIGN D	
	72388085	2	WARNING SIGN GB	
	72388086	2	WARNING SIGN F	
	72388087	2	WARNING SIGN I	
	72388088	2	WARNING SIGN E	
11	72311639	4	RADIATOR DAMPER	
	72409375	4	DISC	
12	72310742	2	BUSH	
			--> 383/2643	
	72391200	2	SPACER BUSHING <-- 383/2644	
13	72311849	2	DISC	
14	72313325	2	NUT	DIN 980-VM12-8-A3L
15	72409357	1	SPLASH PANEL	
	72409371	1	SPLASH PANEL DUO-SPEED	
16	72409358	1	SPLASH PANEL	
17	72409359	1	SPLASH PANEL	
18	72409360	1	SPLASH PANEL	
19	72315781	8	SCREW	DIN 7981 ST3,5X9,5-C-H-A3
20	72311817	8	DISC	DIN9021-4,3-140HV-A3L
21	72374968	5	SCREW	DIN7976-ST4,8X9,5-C-A3L
22	72311818	15	DISC	DIN9021-5,3-140HV-A3L
23	72315812	10	SCREW	DIN 7981 ST4,2X9,5-F-H-A3
24	72409361	1	RETAINER	
25	72409362	1	RETAINER	
26	72397352	3	SEAL	
27	72409365	3	SEALING STRIP	
28	72409366	1	SEALING STRIP	
29	72364682	1	FRAME	
	72314747	4	LOCKING PLUG <-- 383/2644	F10
	72364684	1	FRAME DUO-SPEED <-- 383/2644	
30	72314762	2	LOCKING PLUG	SW-F182
31	72375085	1	LOCKING PLUG	F40
32	72409367	2	SEALING STRIP	
33	72409368	1	SEALING STRIP	
34	72409369	1	SEALING STRIP	
35	72408131	1	PLATE LINK	
36	72316911	2	CABLE STRAP	FWN 66650 A160X9-SW
37	72374969	1	SCREW	DIN7976-ST4,8X19-C-A3L
38	72409372	1	COVER	
39	72392396	2	STRAP	
	72409373	1	SEALING STRIP	
	72409374	1	SEALING STRIP DUO-SPEED	

---

Fendt

FAVORIT 612 (383/00001-99999)

F383000

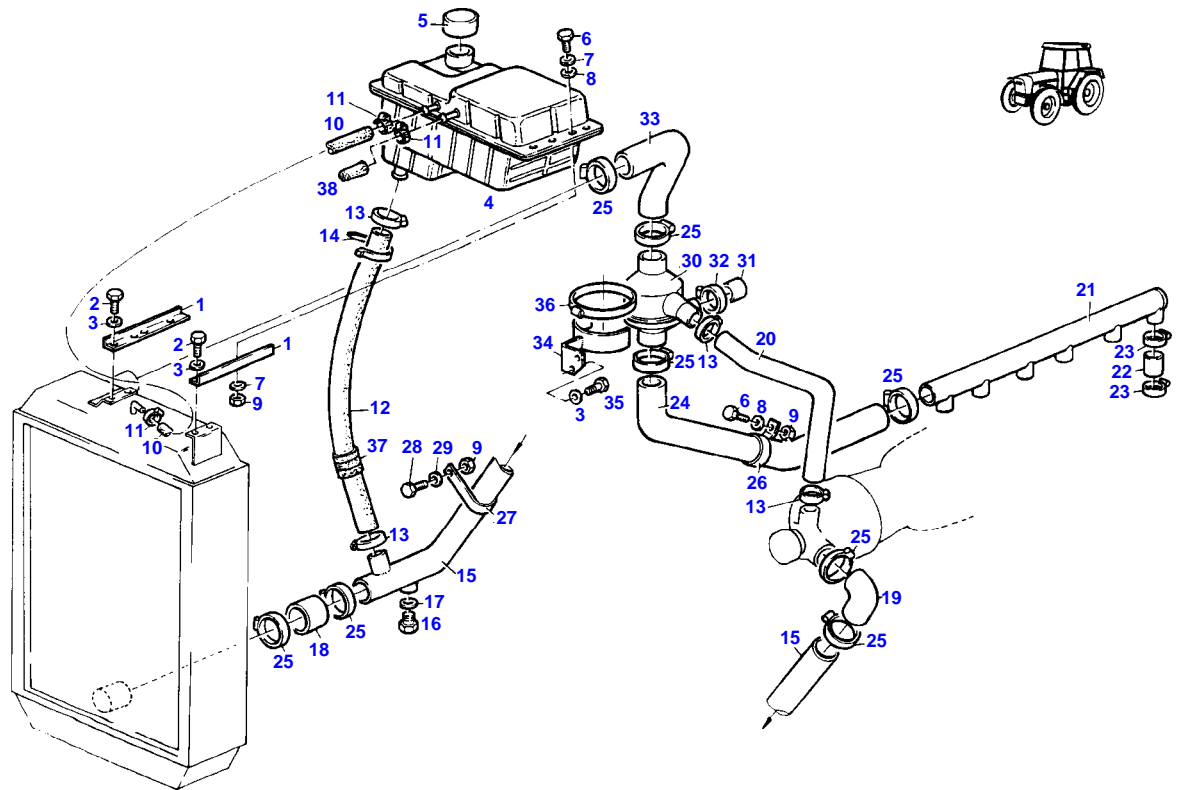
WATER COOLED RADIATOR

Page01-0008

---

Item	Part Number	Qty	Description Comments	Technical Specification
40	72392396	1	STRAP DUO-SPEED	
41	72364679	1	SCREEN FRAME	

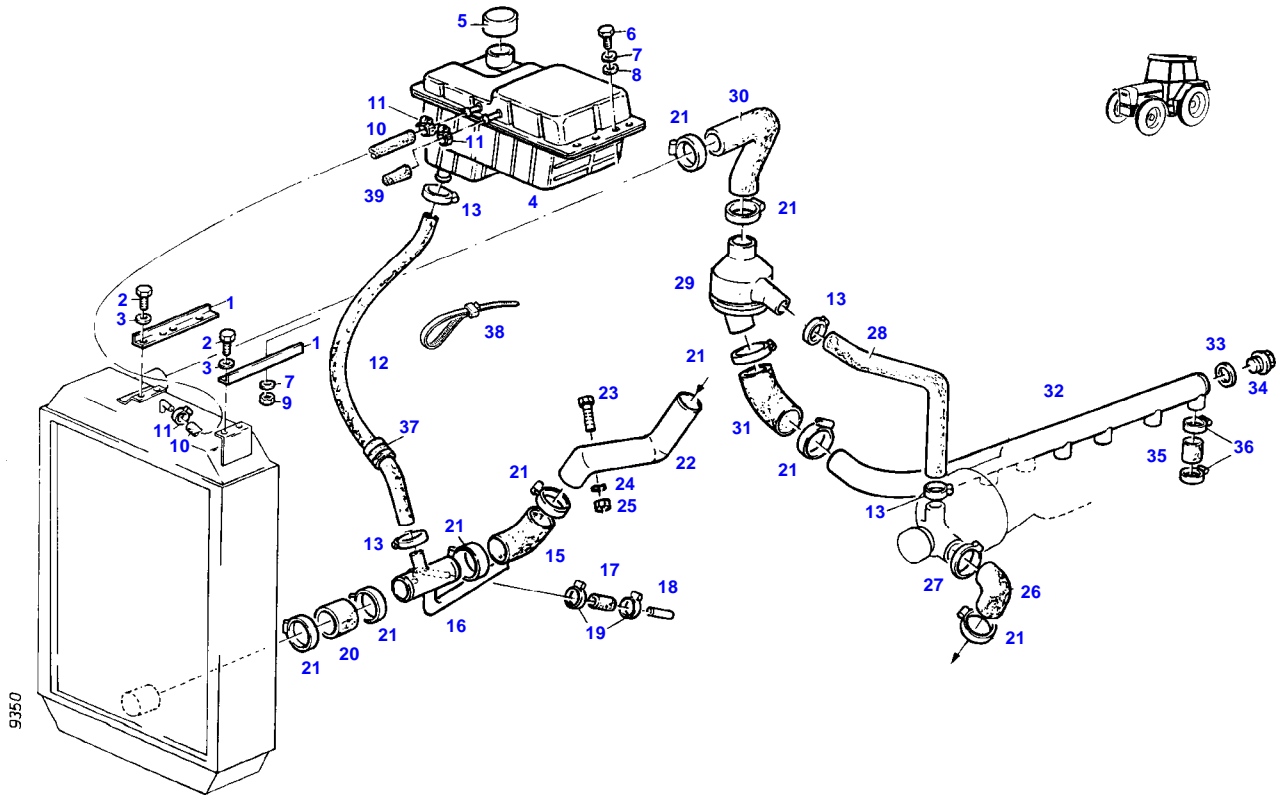
FAVORIT 612 (383/00001-99999)  
9349



9349

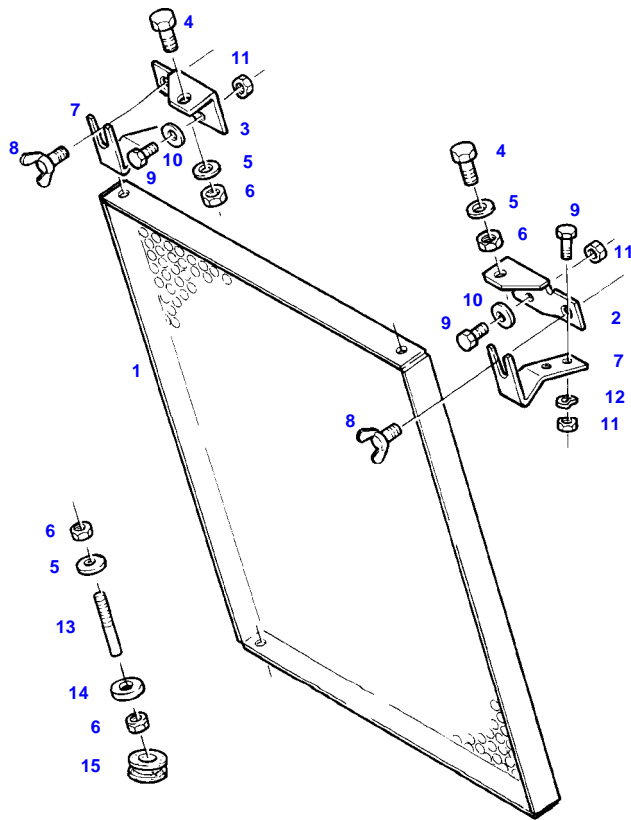
Item	Part Number	Qty	Description Comments	Technical Specification
			--> 383/2000	
1	72409065	2	ANGLE	
2	72374968	4	SCREW	DIN7976-ST4,8X9,5-C-A3L
3	72311818	6	DISC	DIN9021-5,3-140HV-A3L
4	72316897	1	EXPANSION TANK <> 11(1X),38 <>	
	72438345	3	HOSE CLIP	
	72409370	1	CAP	
5	72348672	1	COLLER LOCKING	
6	72315626	5	HEXAGONAL HEAD BOLT	DIN 933-M6 X 16-8.8-A3L
7	72311787	8	DISC	DIN 125-6,4-ST.A3L
8	72317120	5	SPRING WASHER	DIN 137 B6-MECH.VZK
9	72313266	6	NUT	DIN 934 M6-8A3L
10	72622024	1	PRESSURE HOSE 140 MM CUT TO LENGTH	L=0,50M 8X3,5-FWN65911
11	72438345	3	HOSE CLIP	
12	72450412	1	HOSE 1X 700MM CUT TO LENGTH	L=1000 18X3,5 R DIN 73411
13	72311167	5	HOSE CLIP	
14	72316913	1	CABLE STRAP	FWN 66650 B360X7,5-SW
15	72364551	1	SUCTION LINE	
	72364552	1	SUCTION LINE WITHOUT HEATING	
16	72315799	1	PLUG	DIN 7604 AM14X1,5-A3L
17	72315094	1	SEALING WASHER	DIN 7603 A14X18-CU
18	72450416	1	HOSE 1X 60MM CUT TO LENGTH	L=120 DIN73411-35X
19	72399873	1	RUBBER ARCH	
20	72404921	1	RUBBER ARCH	
21	72343591	1	COOLING WATER SUPPLY LINE	
22	72450415	1	HOSE 6X 30MM CUT TO LENGTH	L=900 DIN73411-22X3,5 R
23	72337051	12	PIPE CLAMP	
	72311167	12	HOSE CLIP	
24	72404920	1	RUBBER ARCH	
25	72311162	8	HOSE CLIP	
26	72404929	1	CLAMP	
27	72394567	1	FASTENING COLLAR	
28	72315631	1	HEXAGONAL HEAD BOLT	DIN 933 M6 X 20-8.8A3L
29	72311822	1	DISC	DIN9021-6,4-140HV-A3L
30	72380194	1	THERMOSTAT	
31	72404925	1	CAP WITHOUT HEATING	
32	72311167	1	HOSE CLIP WITHOUT HEATING	
33	72409301	1	RUBBER ARCH	
34	72409060	1	RETAINER	
35	72374969	2	SCREW	DIN7976-ST4,8X19-C-A3L
36	72373528	1	HOSE CLIP	
37	72436297	1	HOSE PROTECTOR 1X 520 MM CUT TO LENGTH	L=920
38	72409370	1	CAP	

FAVORIT 612 (383/00001-99999)  
9350



Item	Part Number	Qty	Description Comments	Technical Specification
			<-- 383/2001	
1	72409065	2	ANGLE	
2	72374968	4	SCREW	DIN7976-ST4,8X9,5-C-A3L
3	72311818	4	DISC	DIN9021-5,3-140HV-A3L
4	72316897	1	EXPANSION TANK <> 11(1X),39 <>	
	72438345	2	HOSE CLIP	
	72409370	1	CAP	
5	72348672	1	COLLER LOCKING	
6	72315626	4	HEXAGONAL HEAD BOLT	DIN 933-M6 X 16-8.8-A3L
7	72311787	8	DISC	DIN 125-6,4-ST.A3L
8	72317120	4	SPRING WASHER	DIN 137 B6-MECH.VZK
9	72313266	4	NUT	DIN 934 M6-8A3L
10	72622024	1	PRESSURE HOSE 1X 150MM CUT TO LENGTH	L=0,50M 8X3,5-FWN65911
11	72438345	3	HOSE CLIP	
	72438345	2	HOSE CLIP DUO-SPEED	
12	72450412	1	HOSE 1X 740MM CUT TO LENGTH	L=1000 18X3,5 R DIN 73411
13	72311167	4	HOSE CLIP	
15	72409354	1	RUBBER ARCH	
16	72364676	1	SUCTION PIPE	
17	72436024	1	HOSE 1X 50MM CUT TO LENGTH	L=920 DIN73411-15X3,5 R
18	72432117	1	BOLT	
19	72311167	2	HOSE CLIP	
20	72450417	1	HOSE 1X 80MM CUT TO LENGTH	L=100 DIN73411-45X5 R
21	72311163	9	HOSE CLIP	
22	72364680	1	SUCTION PIPE	
23	72315660	1	HEXAGONAL HEAD BOLT	DIN 933 M8X35-8.8A3L
24	72317121	1	SPRING WASHER	DIN 137 B8-MECH.VZK
25	72313268	1	NUT	DIN 934 M8-8A3L
26	72409352	1	RUBBER ARCH	
27	72311162	1	HOSE CLIP	
28	72409355	1	RUBBER ARCH	
29	72456610	1	THERMOSTAT	
30	72409356	1	RUBBER ARCH	
31	72409353	1	RUBBER ARCH	
32	72364675	1	PRESSURE LINE	
33	72315101	1	SEALING WASHER	DIN 7603 A22X27-CU
34	72315802	1	SCREW	DIN 7604 AM22X1,5-ST
35	72450415	1	HOSE 6X 30MM CUT TO LENGTH	L=900 DIN73411-22X3,5 R
36	72330789	12	PIPE CLAMP	
	72311167	12	HOSE CLIP	
37	72436297	1	HOSE PROTECTOR 1X 520 MM CUT TO LENGTH	L=920
38	72316913	1	CABLE STRAP	FWN 66650 B360X7,5-SW
39	72409370	1	CAP	

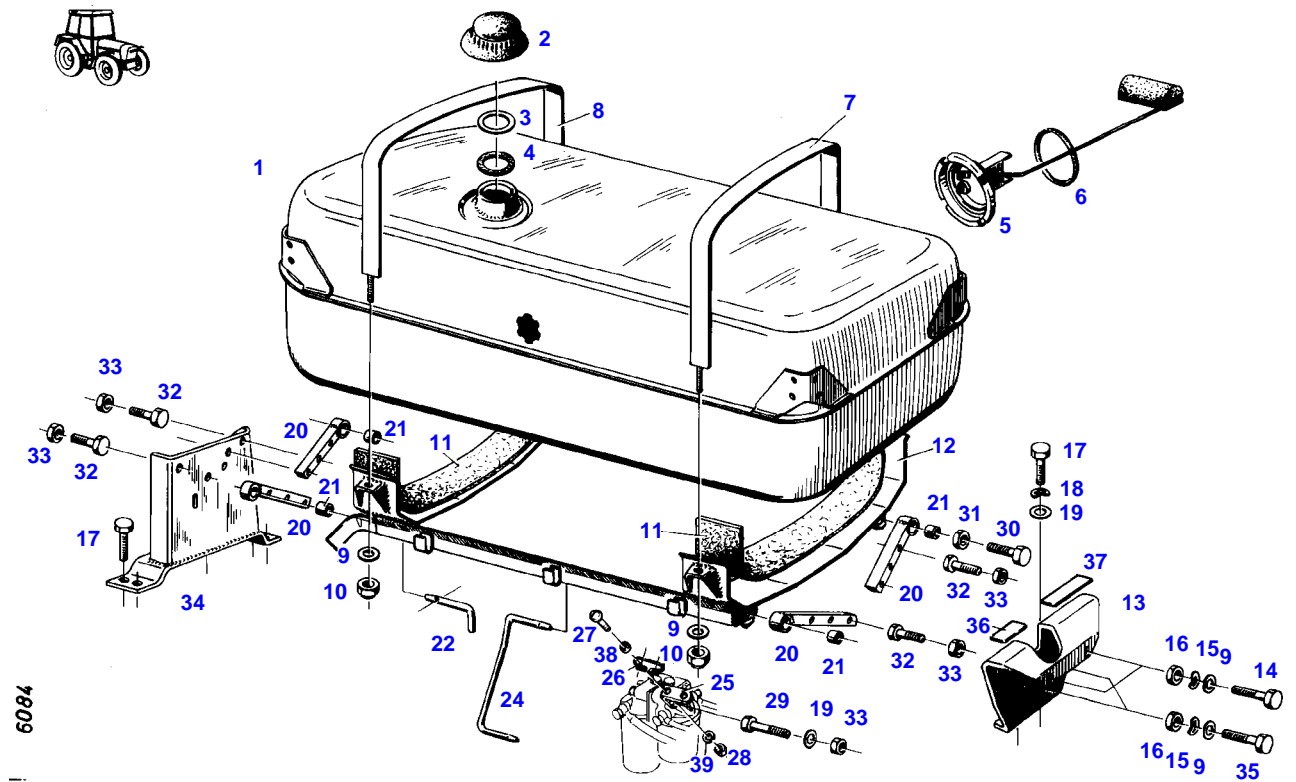
FAVORIT 612 (383/00001-99999)  
5557



5557

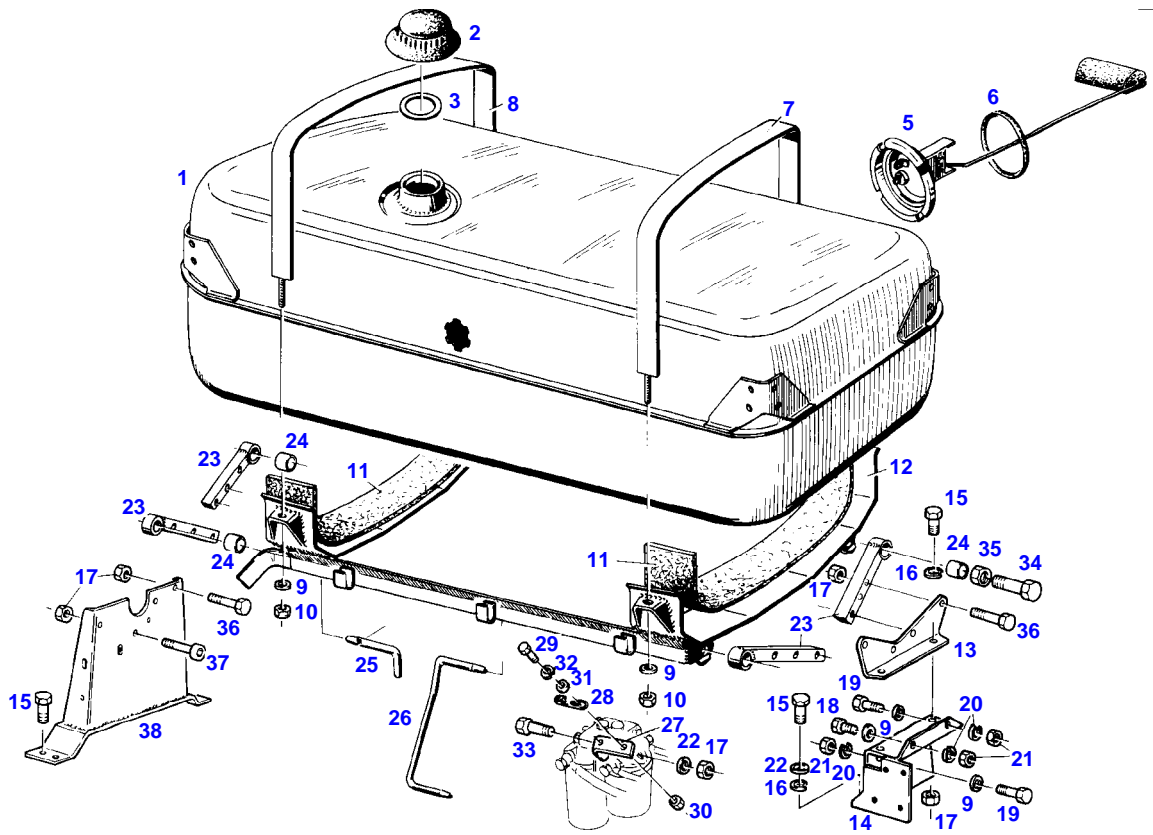
Item	Part Number	Qty	Description Comments	Technical Specification
			<-- 383/2001	
1	72409404	1	BAFFLE	
2	72364815	1	RETAINING BRACKET	
3	72364816	1	RETAINING BRACKET	
4	72315645	2	HEXAGONAL HEAD BOLT	DIN 933 M8 X 12-8.8A3L
5	72311788	4	DISC	DIN 125-8,4-ST.A3L
6	72313268	6	NUT	DIN 934 M8-8A3L
7	72409679	2	RETAINER	
8	72432444	2	WING SCREW	DIN 316 M8X20-DELTA SEAL
9	72315629	6	HEXAGONAL HEAD BOLT	DIN 933 M6 X 12-8.8A3L
10	72311822	2	DISC	DIN9021-6,4-140HV-A3L
11	72313266	6	NUT	DIN 934 M6-8A3L
12	72317120	4	SPRING WASHER	DIN 137 B6-MECH.VZK
13	72310483	2	BOLT	
14	72311848	2	DISC	
15	72316284	2	CABLE BUSHING	

FAVORIT 612 (383/00001-99999)  
6084



Item	Part Number	Qty	Description Comments	Technical Specification
			--> 383/2000	
1	72364691	1	FUEL TANK	
2	72350303	1	FUEL CAP	
			><2-4	
	72394572	1	PLASTIC CAP	
3	72330726	1	SEAL	
			BLAU	
4	72330725	1	SEAL	
			BLAU	
	72312304	1	RUBBER SEAL	
			KOEHLER	
5	72613427	1	FUEL LEVEL SENSOR	
			><5+6	
	72380148	1	FUEL LEVEL SENSOR	
			><5+6	
			ADDITIONAL CONTAINER	
6	72315169	1	SEALING WASHER	
7	72362041	1	BAND CLAMP	
8	72362042	1	BAND CLAMP	
9	72311788	8	DISC	DIN 125-8,4-ST.A3L
10	72313320	4	NUT	DIN6925-M8-8-A3L
11	72404934	2	FELT TAPE	
12	72364628	1	FRAME	
13	72409303	1	CONSOLE	
14	72315659	1	HEXAGONAL HEAD BOLT	DIN 933 M8X35-8.8
15	72315053	4	SPLIT WASHER	FWN 65208-8-A3L
16	72313268	4	NUT	DIN 934 M8-8A3L
17	72315678	7	HEXAGONAL HEAD BOLT	DIN 933 M10X20-8.8
18	72315054	2	SPLIT WASHER	FWN 65208-10-A3L
19	72311789	2	DISC	DIN 125-10,5-ST.A3L
20	72404942	4	SUPPORT ARM	
21	72310644	4	RUBBER BUSHING	
22	72397322	1	BEARING PIN	
24	72404936	1	BEARING PIN	
25	72404938	1	ANGLE	
26	72399331	1	RETAINER	
27	72315619	2	HEXAGONAL HEAD BOLT	DIN 933 M5X16-8.8A3L
28	72313264	2	NUT	DIN 934 M5-8A3L
29	72315689	1	HEXAGONAL HEAD BOLT	DIN 933 M10X35-8.8A3L
30	72374215	2	HEXAGONAL HEAD BOLT	DIN 931 M12X65-8.8
31	72313325	2	NUT	DIN 980-VM12-8-A3L
32	72315693	7	HEXAGONAL HEAD BOLT	DIN 933 M10X45-8.8A3L
	72374898	1	SOCKET HEAD BOLT	DIN 6912-M10X45-8.8
33	72313272	8	NUT	DIN 934 M10-8A3L
34	72364688	1	CONSOLE	
35	72315663	3	HEXAGONAL HEAD BOLT	DIN 933 M8X40-8.8A3L
36	72404939	1	BAND	
37	72404943	1	BAND	
38	72311818	2	DISC	DIN9021-5,3-140HV-A3L
39	72315051	2	SPLIT WASHER	FWN 65208-5-A3L

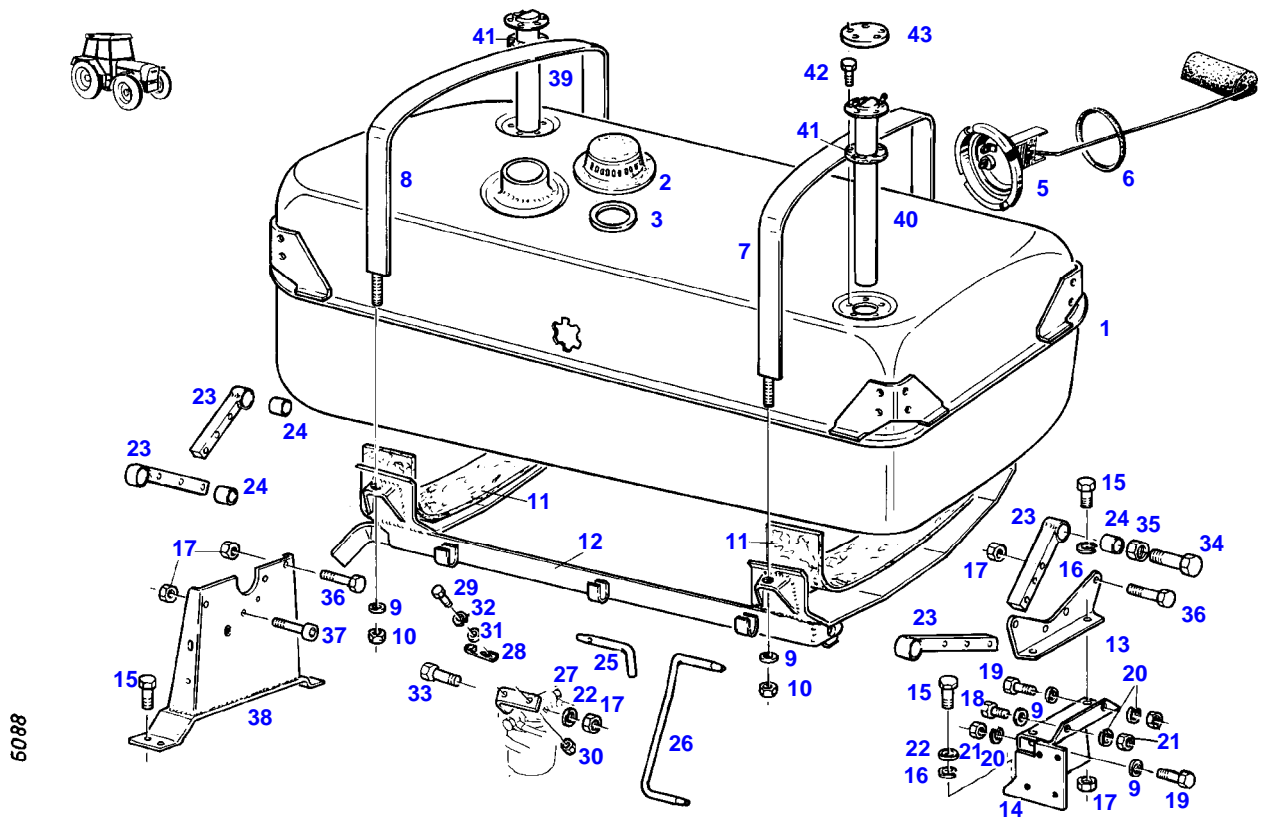
FAVORIT 612 (383/00001-99999)  
5741



5741

Item	Part Number	Qty	Description Comments	Technical Specification
			<-- 383/2001 --> 383/2291	
1	72364691	1	FUEL TANK	
2	72350303	1	FUEL CAP	
			><2+3	
3	72312304	1	RUBBER SEAL	
5	72613427	1	FUEL LEVEL SENSOR	
			><5+6	
	72380148	1	FUEL LEVEL SENSOR	
			><5+6	
			ADDITIONAL CONTAINER	
6	72315169	1	SEALING WASHER	
7	72362041	1	BAND CLAMP	
8	72362042	1	BAND CLAMP	
9	72311788	8	DISC	DIN 125-8,4-ST.A3L
10	72313320	4	NUT	DIN6925-M8-8-A3L
11	72404934	2	FELT TAPE	
12	72364628	1	FRAME	
13	72409376	1	BRACKET	
14	72364687	1	CONSOLE	
15	72315678	9	HEXAGONAL HEAD BOLT	DIN 933 M10X20-8.8
16	72315054	4	SPLIT WASHER	FWN 65208-10-A3L
17	72313272	10	NUT	DIN 934 M10-8A3L
18	72315659	1	HEXAGONAL HEAD BOLT	DIN 933 M8X35-8.8
19	72315663	3	HEXAGONAL HEAD BOLT	DIN 933 M8X40-8.8A3L
20	72315053	4	SPLIT WASHER	FWN 65208-8-A3L
21	72313268	4	NUT	DIN 934 M8-8A3L
22	72311789	2	DISC	DIN 125-10,5-ST.A3L
23	72404942	4	SUPPORT ARM	
24	72310644	4	RUBBER BUSHING	
25	72397322	1	BEARING PIN	
26	72404936	1	BEARING PIN	
27	72404938	1	ANGLE	
28	72399331	1	RETAINER	
29	72315619	2	HEXAGONAL HEAD BOLT	DIN 933 M5X16-8.8A3L
30	72313264	2	NUT	DIN 934 M5-8A3L
31	72311818	2	DISC	DIN9021-5,3-140HV-A3L
32	72315051	2	SPLIT WASHER	FWN 65208-5-A3L
33	72315689	1	HEXAGONAL HEAD BOLT	DIN 933 M10X35-8.8A3L
34	72374215	2	HEXAGONAL HEAD BOLT	DIN 931 M12X65-8.8
35	72313325	2	NUT	DIN 980-VM12-8-A3L
36	72315693	7	HEXAGONAL HEAD BOLT	DIN 933 M10X45-8.8A3L
37	72374898	1	SOCKET HEAD BOLT	DIN 6912-M10X45-8.8
38	72364688	1	CONSOLE	

FAVORIT 612 (383/00001-99999)  
6088

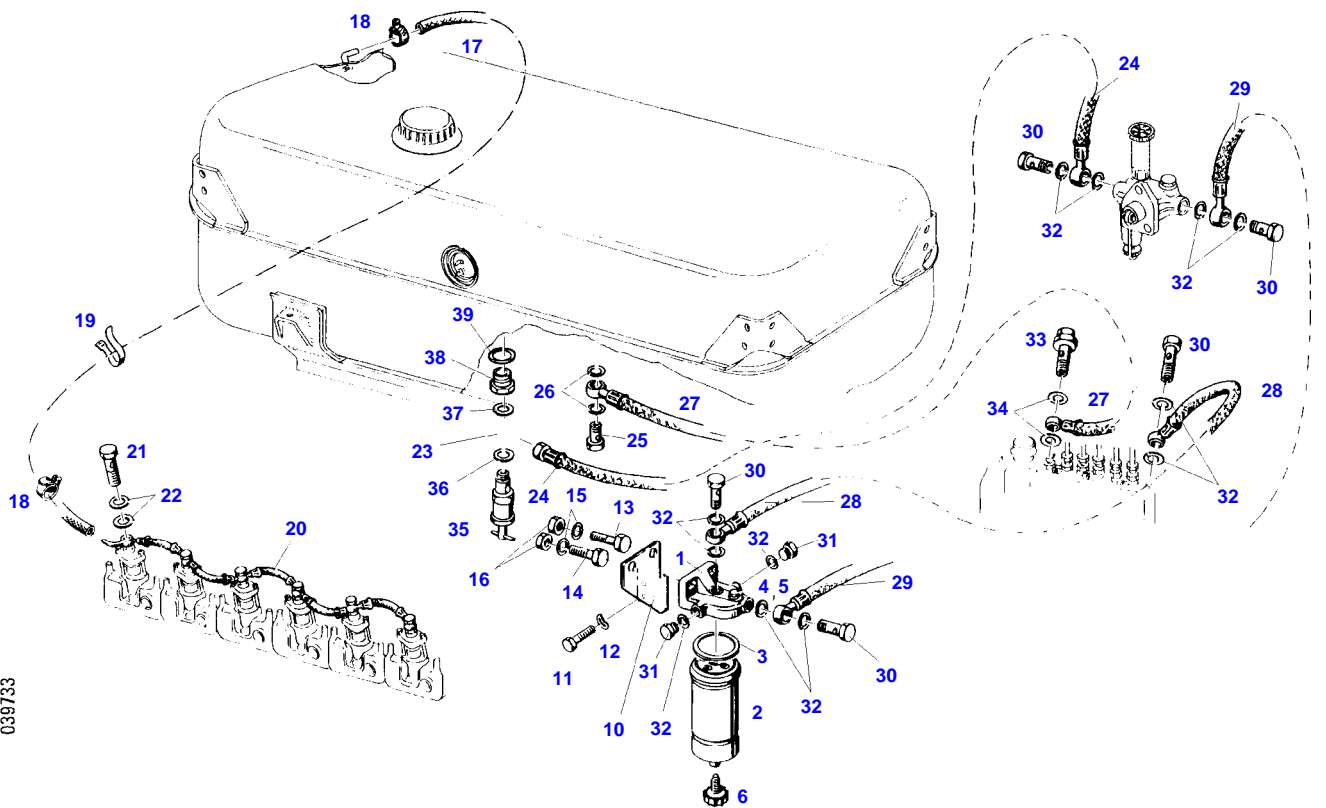


Item	Part Number	Qty	Description Comments	Technical Specification
<b>BOARD COMPUTER</b>				
1	72364691	1	FUEL TANK	
2	72350303	1	FUEL CAP ><2+3	
3	72312304	1	RUBBER SEAL	
5	72613427	1	FUEL LEVEL SENSOR ><5+6	
	72380148	1	FUEL LEVEL SENSOR ><5+6 ADDITIONAL CONTAINER	
6	72315169	1	SEALING WASHER	
7	72362041	1	BAND CLAMP	
8	72362042	1	BAND CLAMP	
9	72311788	8	DISC	DIN 125-8,4-ST.A3L
10	72313320	4	NUT	DIN6925-M8-8-A3L
11	72404934	2	FELT TAPE	
12	72364628	1	FRAME	
13	72409376	1	BRACKET	
14	72364687	1	CONSOLE	
15	72315678	9	HEXAGONAL HEAD BOLT	DIN 933 M10X20-8.8
16	72315054	4	SPLIT WASHER	FWN 65208-10-A3L
17	72313272	12	NUT	DIN 934 M10-8A3L
18	72315659	1	HEXAGONAL HEAD BOLT	DIN 933 M8X35-8.8
19	72315663	3	HEXAGONAL HEAD BOLT	DIN 933 M8X40-8.8A3L
20	72315053	4	SPLIT WASHER	FWN 65208-8-A3L
21	72313268	4	NUT	DIN 934 M8-8A3L
22	72311789	2	DISC	DIN 125-10,5-ST.A3L
23	72404942	4	SUPPORT ARM	
24	72310644	4	RUBBER BUSHING	
25	72397322	1	BEARING PIN	
26	72404936	1	BEARING PIN	
27	72404938	1	ANGLE	
28	72399331	1	RETAINER	
29	72315619	2	HEXAGONAL HEAD BOLT	DIN 933 M5X16-8.8A3L
30	72313264	2	NUT	DIN 934 M5-8A3L
31	72311818	2	DISC	DIN9021-5,3-140HV-A3L
32	72315051	2	SPLIT WASHER	FWN 65208-5-A3L
33	72315689	1	HEXAGONAL HEAD BOLT	DIN 933 M10X35-8.8A3L
34	72374215	2	HEXAGONAL HEAD BOLT	DIN 931 M12X65-8.8
35	72313325	2	NUT	DIN 980-VM12-8-A3L
36	72315693	7	HEXAGONAL HEAD BOLT	DIN 933 M10X45-8.8A3L
37	72374898	1	SOCKET HEAD BOLT	DIN 6912-M10X45-8.8
38	72364688	1	CONSOLE	
39	72380152	1	FUEL LEVEL SENSOR	
40	72380153	1	FUEL LEVEL SENSOR <-- 383/2334	
41	72376132	2	SEALING WASHER 40,5X65X2,4 <-- 383/2334 <> X540 000 478 12X <>	
	72376017	12	SEALING WASHER	DIN 7603-A5X7,5-CU
	72376018	10	SEALING WASHER A5X9/7603 <-- 383/2334	DIN 7603 A5X9-VF
42	72315619	10	HEXAGONAL HEAD BOLT	DIN 933 M5X16-8.8A3L
43	72409022	2	FLANGE	



Item	Part Number	Qty	Description Comments	Technical Specification
			<-- 383/2292	
1	72364691	1	FUEL TANK	
2	72350303	1	FUEL CAP	
			><2+3	
3	72312304	1	RUBBER SEAL	
5	72613427	1	FUEL LEVEL SENSOR	
			><5+6	
	72380148	1	FUEL LEVEL SENSOR	
			><5+6	
			ADDITIONAL CONTAINER	
6	72315169	1	SEALING WASHER	
7	72362041	1	BAND CLAMP	
8	72362042	1	BAND CLAMP	
9	72311788	8	DISC	DIN 125-8,4-ST.A3L
10	72313320	4	NUT	DIN6925-M8-8-A3L
11	72404934	2	FELT TAPE	
12	72364628	1	FRAME	
13	72409376	1	BRACKET	
14	72364687	1	CONSOLE	
15	72315678	9	HEXAGONAL HEAD BOLT	DIN 933 M10X20-8.8
16	72315054	4	SPLIT WASHER	FWN 65208-10-A3L
17	72313272	12	NUT	DIN 934 M10-8A3L
18	72315659	1	HEXAGONAL HEAD BOLT	DIN 933 M8X35-8.8
19	72315663	3	HEXAGONAL HEAD BOLT	DIN 933 M8X40-8.8A3L
20	72315053	4	SPLIT WASHER	FWN 65208-8-A3L
21	72313268	4	NUT	DIN 934 M8-8A3L
22	72311789	2	DISC	DIN 125-10,5-ST.A3L
23	72404942	4	SUPPORT ARM	
24	72310644	4	RUBBER BUSHING	
25	72397322	1	BEARING PIN	
26	72404936	1	BEARING PIN	
27	72404938	1	ANGLE	
28	72399331	1	RETAINER	
29	72315619	2	HEXAGONAL HEAD BOLT	DIN 933 M5X16-8.8A3L
30	72313264	2	NUT	DIN 934 M5-8A3L
31	72311818	2	DISC	DIN9021-5,3-140HV-A3L
32	72315051	2	SPLIT WASHER	FWN 65208-5-A3L
33	72315689	1	HEXAGONAL HEAD BOLT	DIN 933 M10X35-8.8A3L
34	72374215	2	HEXAGONAL HEAD BOLT	DIN 931 M12X65-8.8
35	72313325	2	NUT	DIN 980-VM12-8-A3L
36	72315693	7	HEXAGONAL HEAD BOLT	DIN 933 M10X45-8.8A3L
37	72374898	1	SOCKET HEAD BOLT	DIN 6912-M10X45-8.8
38	72364688	1	CONSOLE	
39	72380152	1	FUEL LEVEL SENSOR	
40	72380153	1	FUEL LEVEL SENSOR	
			<-- 383/2334	
41	72376132	2	SEALING WASHER	
			40,5X65X2,4	
			<-- 383/2334	
			<> X540 000 478 12X	
			<>	
	72376017	12	SEALING WASHER	DIN 7603-A5X7,5-CU
	72376018	10	SEALING WASHER	DIN 7603 A5X9-VF
			A5X9/7603	
			<-- 383/2334	
42	72315619	10	HEXAGONAL HEAD BOLT	DIN 933 M5X16-8.8A3L
43	72409022	2	FLANGE	

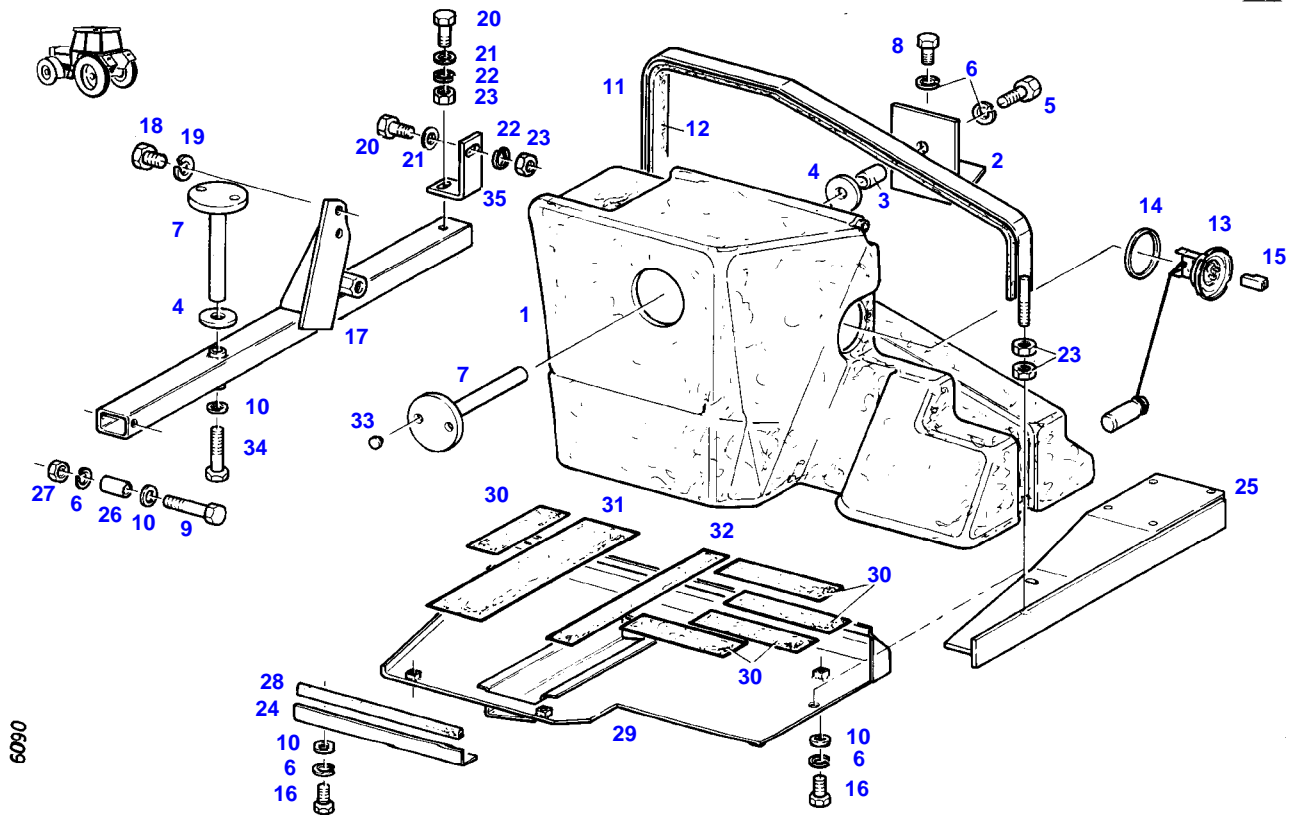
FAVORIT 612 (383/00001-99999)  
39733



039733

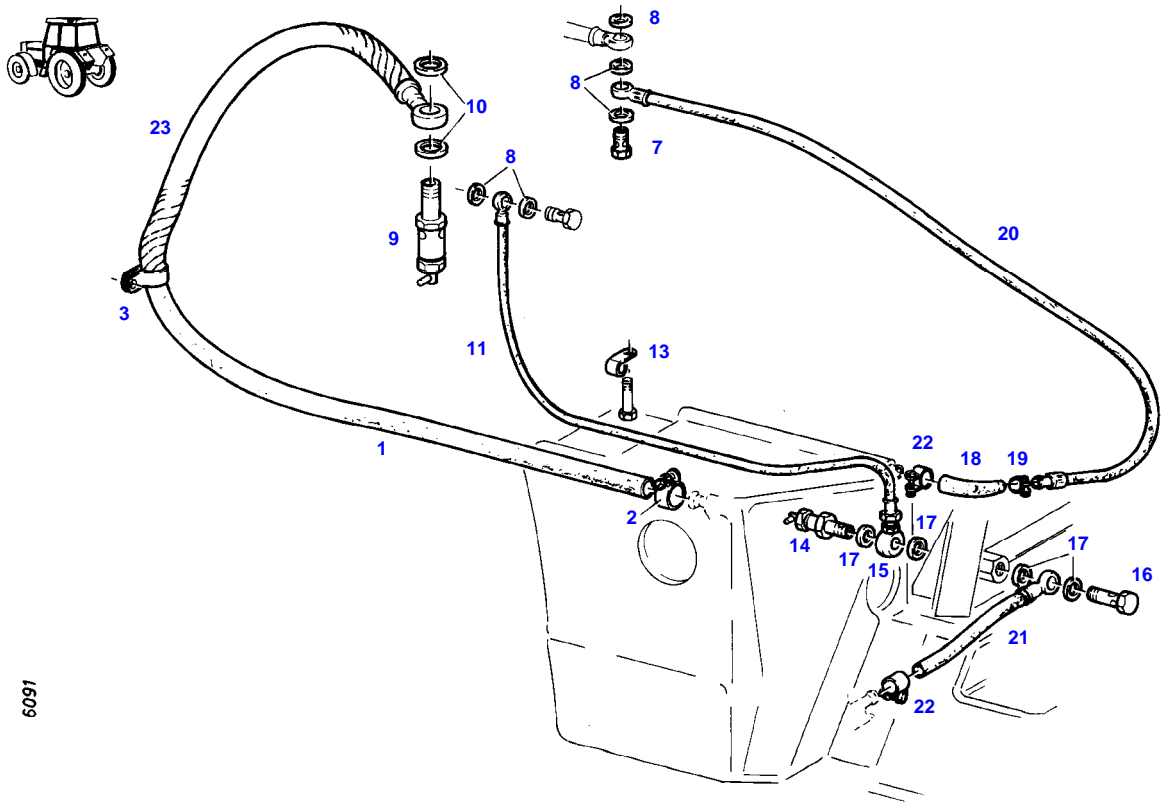
Item	Part Number	Qty	Description Comments	Technical Specification
1	72350307	1	FUEL FILTER ><1-3	
2	72416928	1	FILTER BOX ><2+3	
3	72314995	1	RUBBER RING	
4	72323290	1	BLEED SCREW	
5	72315084	1	SEALING WASHER	DIN 7603 A6X10-CU
6	72330827	1	DRAIN SCREW	
10	72409304	1	RETAINING BRACKET	
11	72315646	2	HEXAGONAL HEAD BOLT	DIN 933 M8X18-8.8A3L
12	72311824	2	DISC	DIN9021-8,4-140HV-A3L
	72315053	2	SPLIT WASHER	FWN 65208-8-A3L
13	72315685	1	HEXAGONAL HEAD BOLT	DIN 933 M10X30-8.8A3L
14	72315689	1	HEXAGONAL HEAD BOLT	DIN 933 M10X35-8.8A3L
15	72311789	2	DISC	DIN 125-10,5-ST.A3L
16	72313272	2	NUT	DIN 934 M10-8A3L
17	72435830	1	PRESSURE HOSE 1390 MM CUT TO LENGTH	L=2100
18	72438345	2	HOSE CLIP	
19	72316916	3	CABLE STRAP	FWN 66650 B175X4-SW
20	72340112	1	LEAKAGE OIL LINE --> 383/2000	
	72343884	1	LEAKAGE OIL LINE <-- 383/2001	
21	72315809	6	BANJO BOLT --> 383/2000	DIN 7643-4-5-A3L
	72342985	6	SCREW <-- 383/2001	
22	72315086	12	SEALING WASHER	DIN 7603 A8X11,5-CU
23	72377538	1	BANJO UNION	
24	72364540	1	FUEL LINE	
25	72315807	1	BANJO BOLT	DIN 7643-8-3-A3L
26	72315090	2	SEALING WASHER	DIN 7603 A12X15,5-CU
27	72364689	1	FUEL LINE	
28	72362049	1	FUEL LINE	
29	72362048	1	FUEL LINE	
30	72315808	5	BANJO BOLT	DIN 7643-10-3-A3L
31	72315799	2	PLUG	DIN 7604 AM14X1,5-A3L
32	72315094	12	SEALING WASHER	DIN 7603 A14X18-CU
33	72317103	1	BLEED AND DRAIN VALVE	
34	72315095	2	SEALING WASHER	DIN 7603 A14X20-CU
35	72380161	1	FUEL SHUT-OFF VALVE	
36	72315099	1	SEALING WASHER	DIN 7603 A18X22-CU
37	72315098	1	SEALING WASHER	DIN 7603 A16X22-CU
38	72409020	1	REDUCER	
39	72315104	1	SEALING WASHER	DIN 7603 A26X31-CU
40	72393682	1	MARKING PLATE ARABIAN-ENGLISH	

FAVORIT 612 (383/00001-99999)  
6090



Item	Part Number	Qty	Description Comments	Technical Specification
1	72364665	1	AUXILIARY CONTAINER	
2	72409340	1	SUPPORT PLATE	
3	72394749	1	PIPE	
4	72409342	2	DISC	
5	72315530	1	HEXAGONAL HEAD BOLT	DIN 931 M8X55-8.8
6	72315053	7	SPLIT WASHER	FWN 65208-8-A3L
7	72364670	2	TIE ROD	
8	72315645	2	HEXAGONAL HEAD BOLT	DIN 933 M8 X 12-8.8A3L
9	72315673	1	HEXAGONAL HEAD BOLT	DIN 933 M8X75-8.8A3L
10	72311824	5	DISC	DIN9021-8,4-140HV-A3L
11	72364661	1	BAND CLAMP	
12	72450972	1	PROTECTIVE SECTION 1X 910 MM CUT TO LENGTH	L=920 FWN 63040 H01
13	72380151	1	FUEL LEVEL SENSOR	
14	72315169	1	SEALING WASHER	
15	72316071	2	BUSHING INSULATOR	
16	72315650	3	HEXAGONAL HEAD BOLT	DIN 933 M8 X 20-8.8A3L
17	72364667	1	BRACKET --> 383/2101 <> 385 200 907 050 (1X) X487 535 641 (1X) X428 203 239 (1X) X450 008 708 (2X) X520 805 001 (1X) <>	
	72315055	1	SPLIT WASHER	FWN 65208-12-A3L
	72315709	1	HEXAGONAL HEAD BOLT	DIN 933 M12X30-8.8A3L
	72311791	2	DISC	DIN 125-13-ST.A3L
	72409344	1	ANGLE	
	72313276	1	NUT	DIN 934 M12-8A3L
18	72315721	2	HEXAGONAL HEAD BOLT	DIN 933 M14X25-8.8A3L
19	72315056	2	SPLIT WASHER	FWN 65208-14-A3L
20	72315709	2	HEXAGONAL HEAD BOLT	DIN 933 M12X30-8.8A3L
21	72311791	3	DISC	DIN 125-13-ST.A3L
22	72315055	2	SPLIT WASHER	FWN 65208-12-A3L
23	72313276	6	NUT	DIN 934 M12-8A3L
24	72409341	1	ANGLE	
25	72364668	1	BRACKET	
26	72403628	1	PIPE	
27	72313268	1	NUT	DIN 934 M8-8A3L
28	72451141	1	PROTECTIVE STRIP 1X 350 MM CUT TO LENGTH	L=800 FWN 63040
29	72364669	1	TANK PROTECTION PAN	
30	72390672	5	STRIP	
31	72394594	1	FELT TAPE	
32	72391503	1	BAND	
33	72314743	2	LOCKING PLUG	F2
34	72315539	1	HEXAGONAL HEAD BOLT	DIN 931 M8X80-8.8 A3L
35	72409344	1	ANGLE <-- 383/2102	

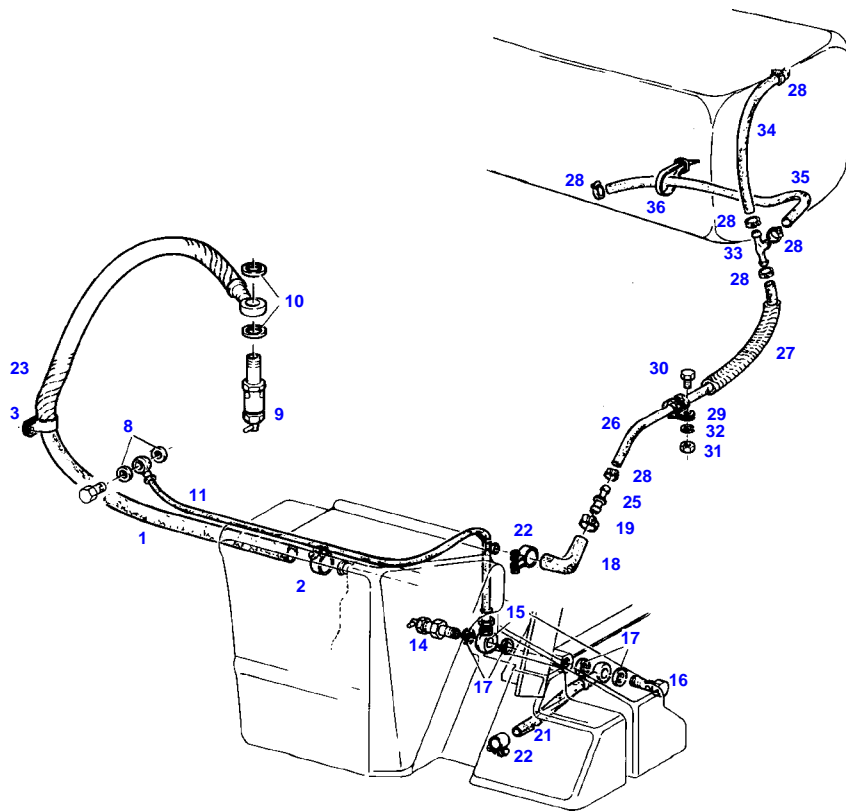
FAVORIT 612 (383/00001-99999)  
6091



6091

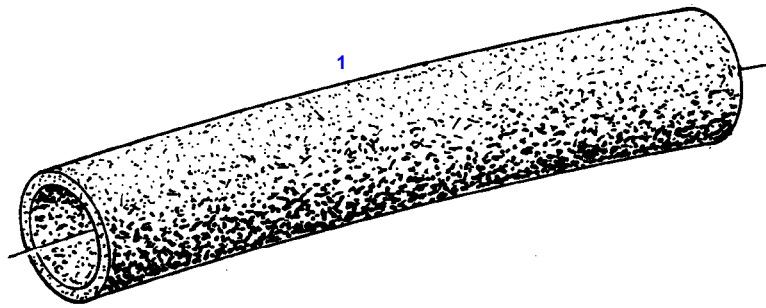
Item	Part Number	Qty	Description Comments	Technical Specification
			--> 383/3189	
1	72364671	1	FUEL LINE	
2	72311168	1	HOSE CLIP	
3	72373551	1	PIPE CLAMP	
7	72310188	1	BANJO BOLT	
8	72315090	5	SEALING WASHER	DIN 7603 A12X15,5-CU
9	72380162	1	FUEL SHUT-OFF VALVE	
10	72315104	2	SEALING WASHER	DIN 7603 A26X31-CU
11	72364674	1	FUEL LINE	
13	72311244	2	PIPE CLAMP	
14	72380163	1	FUEL SHUT-OFF VALVE	
15	72377538	1	BANJO UNION	
16	72315866	1	BANJO BOLT	
17	72315099	4	SEALING WASHER	DIN 7603 A18X22-CU
18	72409343	1	RUBBER ARCH	
19	72311166	1	HOSE CLIP	
20	72450301	1	PRESSURE HOSE 650 MM CUT TO LENGTH X591.494.000.620 300 MM <>	L=1000
	72315654	1	HEXAGONAL HEAD BOLT	DIN 933 M8X28-8.8A3L
	72438345	4	HOSE CLIP	
	72316916	2	CABLE STRAP	FWN 66650 B175X4-SW
	72313268	1	NUT	DIN 934 M8-8A3L
	72380023	1	TEE FITTING	
	72311244	1	PIPE CLAMP	
	72315053	1	SPLIT WASHER	FWN 65208-8-A3L
	72409345	1	REDUCING STUD	
	72315866	1	BANJO BOLT	
21	72364673	1	FUEL LINE	
22	72311166	2	HOSE CLIP	
23	72436908	1	HOSE PROTECTOR 1X 2000 MM	L=2000

FAVORIT 612 (383/00001-99999)  
7641



7641

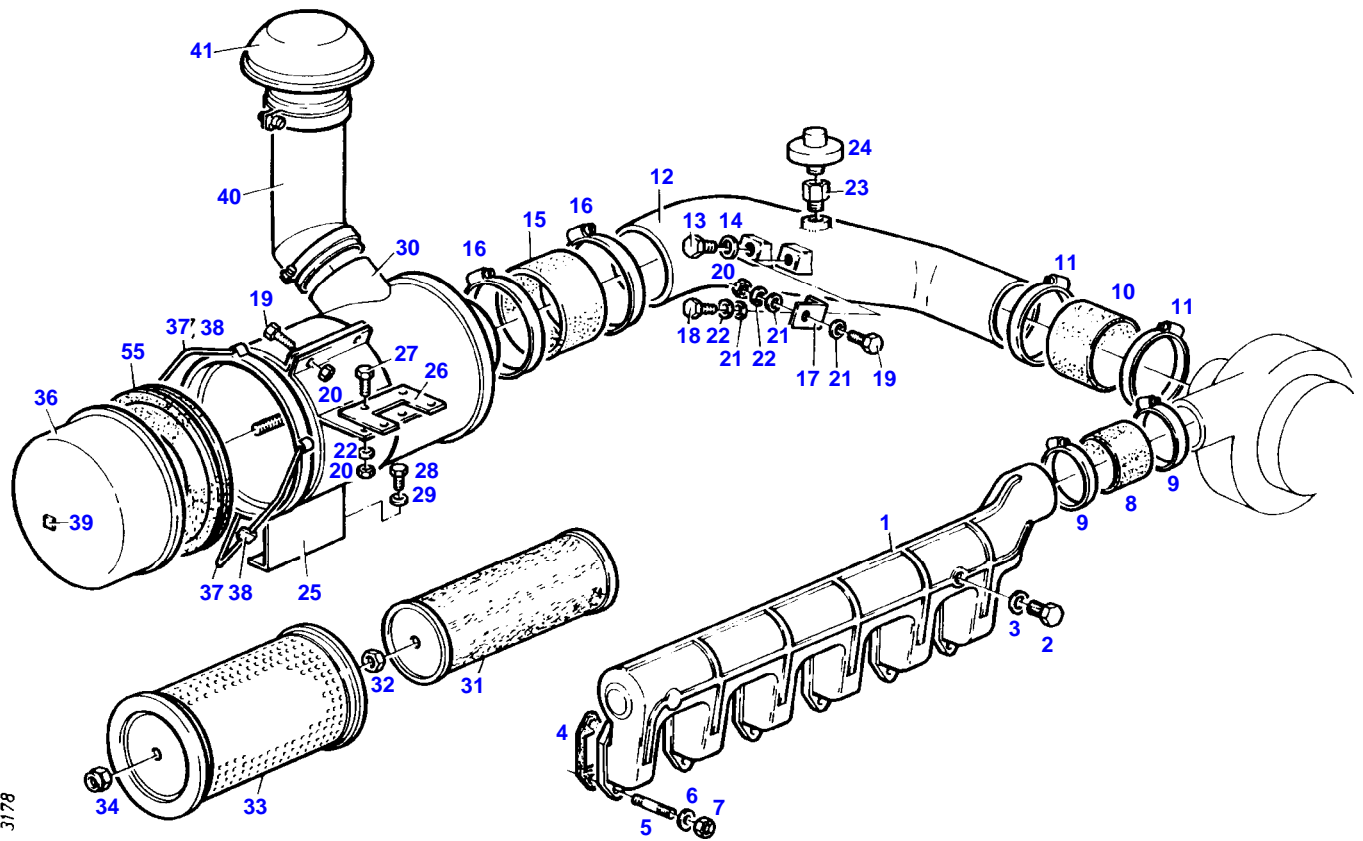
Item	Part Number	Qty	Description Comments	Technical Specification
			<-- 383/3190	
1	72364671	1	FUEL LINE	
2	72311168	1	HOSE CLIP	
3	72373551	1	PIPE CLAMP	
8	72315090	2	SEALING WASHER	DIN 7603 A12X15,5-CU
9	72380162	1	FUEL SHUT-OFF VALVE	
10	72315104	2	SEALING WASHER	DIN 7603 A26X31-CU
11	72364674	1	FUEL LINE	
13	72311244	2	PIPE CLAMP	
14	72380163	1	FUEL SHUT-OFF VALVE	
15	72377538	1	BANJO UNION	
16	72315866	1	BANJO BOLT	
17	72315099	4	SEALING WASHER	DIN 7603 A18X22-CU
18	72409343	1	RUBBER ARCH	
19	72311166	1	HOSE CLIP	
21	72364673	1	FUEL LINE	
22	72311166	2	HOSE CLIP	
23	72436908	1	HOSE PROTECTOR 2000 MM	L=2000
25	72409345	1	REDUCING STUD	
26	72450301	1	PRESSURE HOSE 650 MM CUT TO LENGTH	L=1000
27	72436296	1	HOSE PROTECTOR 300 MM CUT TO LENGTH	L=620
28	72438345	6	HOSE CLIP	
29	72311244	1	PIPE CLAMP	
30	72315654	1	HEXAGONAL HEAD BOLT	DIN 933 M8X28-8.8A3L
31	72313268	1	NUT	DIN 934 M8-8A3L
32	72315053	1	SPLIT WASHER	FWN 65208-8-A3L
33	72380023	1	TEE FITTING	
34	72450301	1	PRESSURE HOSE 450 MM CUT TO LENGTH	L=1000
35	72450301	1	PRESSURE HOSE 800 MM CUT TO LENGTH	L=1000
36	72316916	2	CABLE STRAP	FWN 66650 B175X4-SW



8555

Item	Part Number	Qty	Description Comments	Technical Specification
			<b>RAPE SEED OIL METHYLATED ESTER</b>	
1	72436293	1	HEAT SHRINK TUBING 1X 2500 MM CUT TO LENGTH	L=2600
	72436294	X	HEAT SHRINK TUBING 1X 3000 MM CUT TO LENGTH	L=3100
	72436295	1	HEAT SHRINK TUBING 1X 2000 MM CUT TO LENGTH	L=2100

FAVORIT 612 (383/00001-99999)  
3178



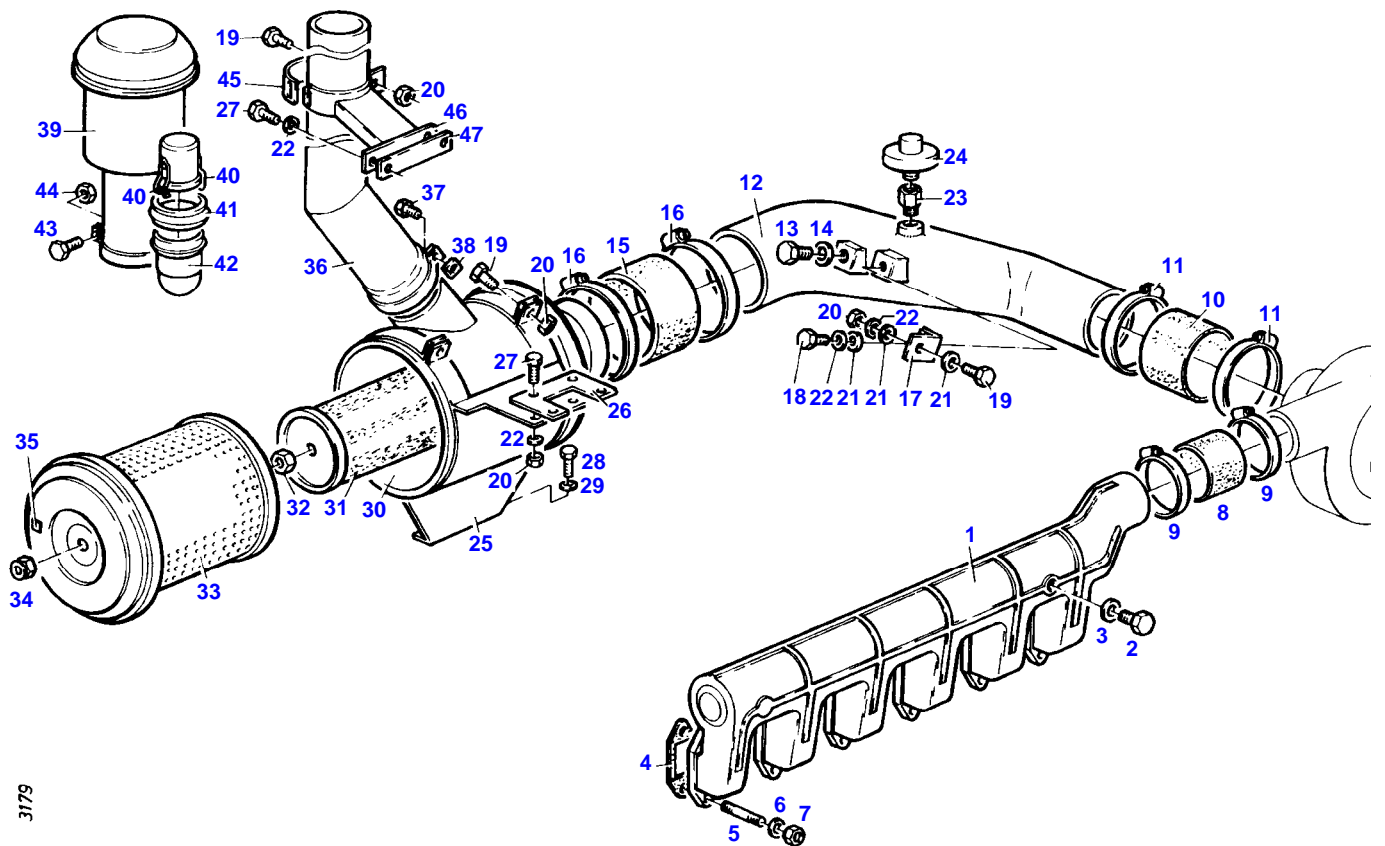
3178

Item	Part Number	Qty	Description Comments	Technical Specification
			PICLON --> 383/2000	
1	72340927	1	INTAKE MANIFOLD	
2	72373971	1	PLUG	DIN 910 M14X1,5-ST
3			NOT USED	
4	72332145	6	MOLDED SEAL	
5	72373922	12	STUD BOLT	DIN 835-M10X25-8.8
6	72315054	12	SPLIT WASHER	FWN 65208-10-A3L
7	72373015	12	NUT	DIN70615-M10-8-A3B
8	72332139	1	HOSE PIECE	
9	72311170	2	HOSE CLIP	
10	72377623	1	HOSE	68X76X70-SILICON
11	72373528	2	HOSE CLIP	
12	72409379	1	INTAKE MANIFOLD	
13	72315442	1	PLUG	DIN 908 M22X1,5-ST
14	72315101	1	SEALING WASHER	DIN 7603 A22X27-CU
15	72395094	1	RUBBER PIECE	
16	72311173	2	HOSE CLIP	
17	72404947	1	ANGLE	
18	72315646	1	HEXAGONAL HEAD BOLT	DIN 933 M8X18-8.8A3L
19	72315653	3	HEXAGONAL HEAD BOLT	DIN 933 M8 X 25-8.8A3L
20	72313268	5	NUT	DIN 934 M8-8A3L
21	72311788	3	DISC	DIN 125-8,4-ST.A3L
22	72315053	4	SPLIT WASHER	FWN 65208-8-A3L
23	72339032	1	THREADED SOCKET	
24	72316876	1	MAINTENANCE SWITCH --> 383/0306 <> X666 106 022 (0,2M) (1 X) X825 185 071 (1 X) F230 901 040 010 (1 X) <>	
	72379175	0	WIRE	B1,5 DIN72551/6.51 SCHWARZ
	72314686	1	PLUG IN SLEEVE	
	72380356	1	CABLE LUG	
25	72364630	1	BAND CLAMP	
26	72409006	1	RETAINING SHEET METAL	
27	72315642	2	HEXAGONAL HEAD BOLT	DIN 933 M8 X 16-8.8A3L
28	72315645	2	HEXAGONAL HEAD BOLT	DIN 933 M8 X 12-8.8A3L
29	72317121	2	SPRING WASHER	DIN 137 B8-MECH.VZK
30	72349691	1	AIR FILTER >>30-38	
	72340122	1	DIFFUSER	
31	72332148	1	SAFETY CARTRIDGE	
32	72313299	1	NUT	DIN 936-M16X1,5-17H
33	72332142	1	MICRO-TOP CARTRIDGE	
34	72339030	1	COLLAR NUT	
35	72332146	1	INTERMEDIATE PLATE	
36	72340121	1	CUP	
37	72340124	2	HOLDER >>37+38	
38	72326152	2	TENSIONING DEVICE	
39	72409058	1	ABSORPTION INDICATOR (2,4)	
40	72340120	1	INTAKE MANIFOLD	
41	72332141	1	RAIN CAP	



Item	Part Number	Qty	Description Comments	Technical Specification
			<b>PICLON</b> <-- 383/2001	
1	72340927	1	INTAKE MANIFOLD	
2	72373971	1	PLUG	DIN 910 M14X1,5-ST
4	72332145	6	MOLDED SEAL	
5	72373922	12	STUD BOLT	DIN 835-M10X25-8.8
6	72315054	12	SPLIT WASHER	FWN 65208-10-A3L
7	72373015	12	NUT	DIN70615-M10-8-A3B
8	72332139	1	HOSE PIECE	
9	72311170	2	HOSE CLIP	
10	72377623	1	HOSE	68X76X70-SILICON
11	72373528	2	HOSE CLIP	
12	72409379	1	INTAKE MANIFOLD	
13	72315442	1	PLUG	DIN 908 M22X1,5-ST
14	72315101	1	SEALING WASHER	DIN 7603 A22X27-CU
15	72409377	1	RUBBER PIECE	
16	72311173	2	HOSE CLIP	
17	72404947	1	ANGLE	
18	72315646	1	HEXAGONAL HEAD BOLT	DIN 933 M8X18-8.8A3L
19	72315653	3	HEXAGONAL HEAD BOLT	DIN 933 M8 X 25-8.8A3L
20	72313268	5	NUT	DIN 934 M8-8A3L
21	72311788	3	DISC	DIN 125-8,4-ST.A3L
22	72315053	4	SPLIT WASHER	FWN 65208-8-A3L
23	72339032	1	THREADED SOCKET	
24	72379888	1	MAINTENANCE SWITCH	
	72315436	1	SCREW	DIN 908 M10X1-ST A3L
25	72364694	1	BAND CLAMP	
26	72409306	1	RETAINING SHEET METAL	
27	72315642	2	HEXAGONAL HEAD BOLT	DIN 933 M8 X 16-8.8A3L
28	72315645	2	HEXAGONAL HEAD BOLT	DIN 933 M8 X 12-8.8A3L
29	72317121	2	SPRING WASHER	DIN 137 B8-MECH.VZK
30	72350308	1	AIR FILTER ><30-38	
31	72339772	1	SAFETY CARTRIDGE	
32	72313299	1	NUT	DIN 936-M16X1,5-17H
33	72343979	1	MICRO-TOP CARTRIDGE	
34	72313243	1	COLLAR NUT	
35	72343980	1	DIFFUSER	
36	72343983	1	FLOOR	
37	72317656	1	DUST DISCHARGE VALVE	
38	72343981	1	FELT WASHER	
39	72409078	1	ABSORPTION INDICATOR (2,6)	
40	72364695	1	INTAKE MANIFOLD	
41	72350309	1	RAIN CAP <-- G385.202.090.021	

FAVORIT 612 (383/00001-99999)  
3179





**Suggest:**

**For more complete manuals. Please go to the home page.**

**<https://www.ebooklibonline.com>**

**If the above button click is invalid. Please download this document first, and then click the above link to download the complete manual.**

**Thank you so much for reading**

Item	Part Number	Qty	Description Comments	Technical Specification
			PICO --> 383/2291	
1	72340927	1	INTAKE MANIFOLD	
2	72373971	1	PLUG	DIN 910 M14X1,5-ST
3			NOT USED	
4	72332145	6	MOLDED SEAL	
5	72373922	12	STUD BOLT	DIN 835-M10X25-8.8
6	72315054	12	SPLIT WASHER	FWN 65208-10-A3L
7	72373015	12	NUT	DIN70615-M10-8-A3B
8	72332139	1	HOSE PIECE	
9	72311170	2	HOSE CLIP	
10	72377623	1	HOSE	68X76X70-SILICON
11	72373528	2	HOSE CLIP	
12	72405893	1	INTAKE MANIFOLD	
13	72315442	1	PLUG	DIN 908 M22X1,5-ST
14	72315101	1	SEALING WASHER	DIN 7603 A22X27-CU
15	72395094	1	RUBBER PIECE	
16	72311173	2	HOSE CLIP	
17	72404947	1	ANGLE	
18	72315646	1	HEXAGONAL HEAD BOLT	DIN 933 M8X18-8.8A3L
19	72315653	4	HEXAGONAL HEAD BOLT	DIN 933 M8 X 25-8.8A3L
20	72313268	6	NUT	DIN 934 M8-8A3L
21	72311788	3	DISC	DIN 125-8,4-ST.A3L
22	72315053	6	SPLIT WASHER	FWN 65208-8-A3L
23	72339032	1	THREADED SOCKET	
24	72316876	1	MAINTENANCE SWITCH --> 383/0306 <> X666 106 022 (0,2M) (1 X) X825 185 071 (1 X) F230 901 040 010 (1 X) <>	
	72379175	0	WIRE	B1,5 DIN72551/6.51 SCHWARZ
	72314686	1	PLUG IN SLEEVE	
	72380356	1	CABLE LUG	
25	72364631	1	RETAINER	
26	72409006	1	RETAINING SHEET METAL --> 383/2000	
	72409306	1	RETAINING SHEET METAL <-- 383/2001	
27	72315642	4	HEXAGONAL HEAD BOLT	DIN 933 M8 X 16-8.8A3L
28	72315645	2	HEXAGONAL HEAD BOLT	DIN 933 M8 X 12-8.8A3L
29	72317121	2	SPRING WASHER	DIN 137 B8-MECH.VZK
30	72349678	1	AIR FILTER ><30-34	
31	72339772	1	SAFETY CARTRIDGE	
32	72313299	1	NUT	DIN 936-M16X1,5-17H
33	72339771	1	MICRO-TOP CARTRIDGE	
34	72313243	1	COLLAR NUT	
35	72409058	1	ABSORPTION INDICATOR (2,2) --> 383/2000	
	72390689	1	ABSORPTION INDICATOR (1,6) <-- 383/2001	
36	72349681	1	INTAKE MANIFOLD ><36-38	
37	72325094	1	HEXAGONAL HEAD BOLT	
38	72372783	1	SQUARE NUT	DIN 557 M6-5 A3L
39	72349682	1	CYCLONE AIR CLEANER ><39-44	
40	72321921	2	CATCH	
41	72330736	1	FUNNEL	

---

Fendt

FAVORIT 612 (383/00001-99999)

F383000

AIR FILTER

Page01-0023

---

Item	Part Number	Qty	Description Comments	Technical Specification
42	72320204	1	CONTAINER	
43	72315685	1	HEXAGONAL HEAD BOLT	DIN 933 M10X30-8.8A3L
44	72313272	1	NUT	DIN 934 M10-8A3L
45	72404790	1	CLAMP	
46	72361972	1	RETAINER	
47	72409381	1	PLATE LINK	

**<https://www.ebooklibonline.com>**

Hello dear friend!

Thank you very much for reading.

Enter the link into your browser.

The full manual is available for immediate download.

**<https://www.ebooklibonline.com>**