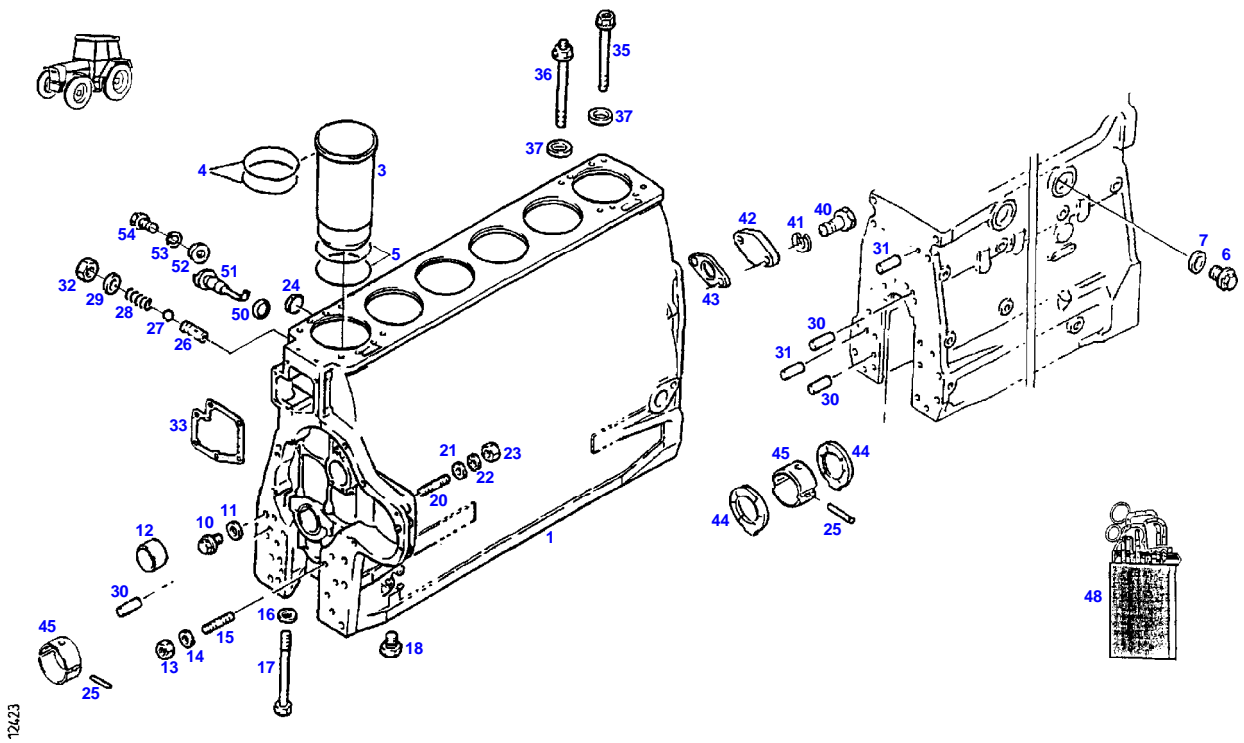


| Page Number | Page Title | Page Reference |
|--------------------|-------------------------------------|-----------------------|
| 01-000-TOC | ENGINE, FUEL AND EXHAUST SYSTEM | 01-000-TOC |
| 02-000-TOC | AXLES | 02-000-TOC |
| 03-000-TOC | STEERING SYSTEM | 03-000-TOC |
| 04-000-TOC | DRIVE TRAIN SYSTEM | 04-000-TOC |
| 05-000-TOC | COMPRESSED AIR SYSTEM | 05-000-TOC |
| 06-000-TOC | HYDRAULIC SYSTEM | 06-000-TOC |
| 07-000-TOC | ELECTRICAL SYSTEM | 07-000-TOC |
| 08-000-TOC | CAB | 08-000-TOC |
| 09-000-TOC | AIR CONDITIONING AND HEATING SYSTEM | 09-000-TOC |
| 10-000-TOC | CHASSIS | 10-000-TOC |
| 11-000-TOC | WHEELS | 11-000-TOC |
| 12-000-TOC | IMPLEMENT LIFT SYSTEM FRONT | 12-000-TOC |
| 13-000-TOC | IMPLEMENT LIFT SYSTEM REAR | 13-000-TOC |
| 14-000-TOC | FRONT/REAR LOADERS | 14-000-TOC |
| 15-000-TOC | ACCESSORIES | 15-000-TOC |

FAVORIT 514 (514/00101-99999)
12423



| Item | Part Number | Qty | Description Comments | Technical Specification |
|------|-------------|-----|---|-------------------------|
| | | | <-- 514/0101 --> 514/0400 <-- 514/1001 --> 514/3661 | |
| | 72430425 | 1 | DIESEL ENGINE <-- 514/0101 --> 514/0300 <-- 514/1001 --> 514/3000 F514 | |
| | 72431125 | 1 | DIESEL ENGINE <-- 514/0301 --> 514/0400 <-- 514/3001 F514 | |
| 1 | 72342976 | 1 | CRANKCASE ><3-25 <> | |
| | 72340920 | 1 | DISC | |
| | 72315053 | 3 | SPLIT WASHER | FWN 65208-8-A3L |
| | 72329118 | 1 | PIPE | |
| | 72372806 | 3 | NUT | DIN 934 M8-10A3L |
| | 72340921 | 1 | MIDGRIP NUT | |
| | 72321257 | 3 | DISC | |
| 3 | 72425044 | 6 | CYLINDER LINER | |
| | 72416175 | 6 | CYLINDER LINER OVERLAP 0,05 MM | |
| | 72416176 | 6 | CYLINDER LINER OVERLAP 0,1 MM | |
| 4 | 72329541 | 12 | SEAL | |
| | 72431774 | 1 | REPAIR KIT | |
| 5 | 72343893 | 12 | SEAL | |
| | 72431774 | 1 | REPAIR KIT | |
| 6 | 72315802 | 1 | SCREW | DIN 7604 AM22X1,5-ST |
| 7 | 72315101 | 1 | SEALING WASHER | DIN 7603 A22X27-CU |
| 10 | 72315436 | 1 | SCREW | DIN 908 M10X1-ST A3L |
| 11 | 72315088 | 1 | SEALING WASHER | DIN 7603 A10X13,5-CU |
| 12 | 72329540 | 1 | BUSH | |
| 13 | 72340921 | 1 | MIDGRIP NUT | |
| 14 | 72340920 | 1 | DISC | |
| 15 | 72374623 | 1 | STUD BOLT | DIN 939-M8X25-8.8 |
| 16 | 72324592 | 14 | DISC | |
| 17 | 72327081 | 14 | HEXAGONAL HEAD BOLT | |
| 18 | 72337035 | 1 | HEXAGONAL HEAD BOLT | |
| 20 | 72313772 | 3 | STUD BOLT | DIN 939 M8X30-8.8 |
| 21 | 72321257 | 3 | DISC | |
| 22 | 72315053 | 3 | SPLIT WASHER | FWN 65208-8-A3L |
| 23 | 72372806 | 3 | NUT | DIN 934 M8-10A3L |
| 24 | 72377226 | 5 | COVER | DIN 443-50 |
| 25 | 72375130 | 7 | TENSIONING PIN | ISO8752-4X8-A-ST-ZNPH |
| 26 | 72341074 | 1 | SCREW PIECE | |
| 27 | 72378872 | 1 | BALL | DIN 5401-9,0MM |
| 28 | 72341075 | 1 | COMPRESSION SPRING | |
| 29 | 72315097 | 1 | SEALING WASHER | DIN 7603 A16X20-CU |
| 30 | 72313859 | 4 | CYLINDER PIN | DIN 7-8M6X18-ST50K |
| 31 | 72375324 | 2 | CYLINDER PIN | DIN 7-10M6X28-ST50K |
| 32 | 72341076 | 1 | CAP NUT | |
| 33 | 72327043 | 1 | MOLDED SEAL | |
| 35 | 72333013 | 20 | SOCKET HEAD BOLT | |
| 36 | 72333014 | 4 | HEXAGONAL HEAD BOLT | |
| 37 | 72324592 | 24 | DISC | |
| 40 | 72315650 | 2 | HEXAGONAL HEAD BOLT | DIN 933 M8 X 20-8.8A3L |
| 41 | 72315053 | 2 | SPLIT WASHER | FWN 65208-8-A3L |
| 42 | 72343896 | 1 | COVER | |
| 43 | 72333001 | 1 | SEAL | |
| 44 | 72343910 | 2 | THRUST RING 70,00 MM | |

<https://www.ebooklibonline.com>

Hello dear friend!

Thank you very much for reading.

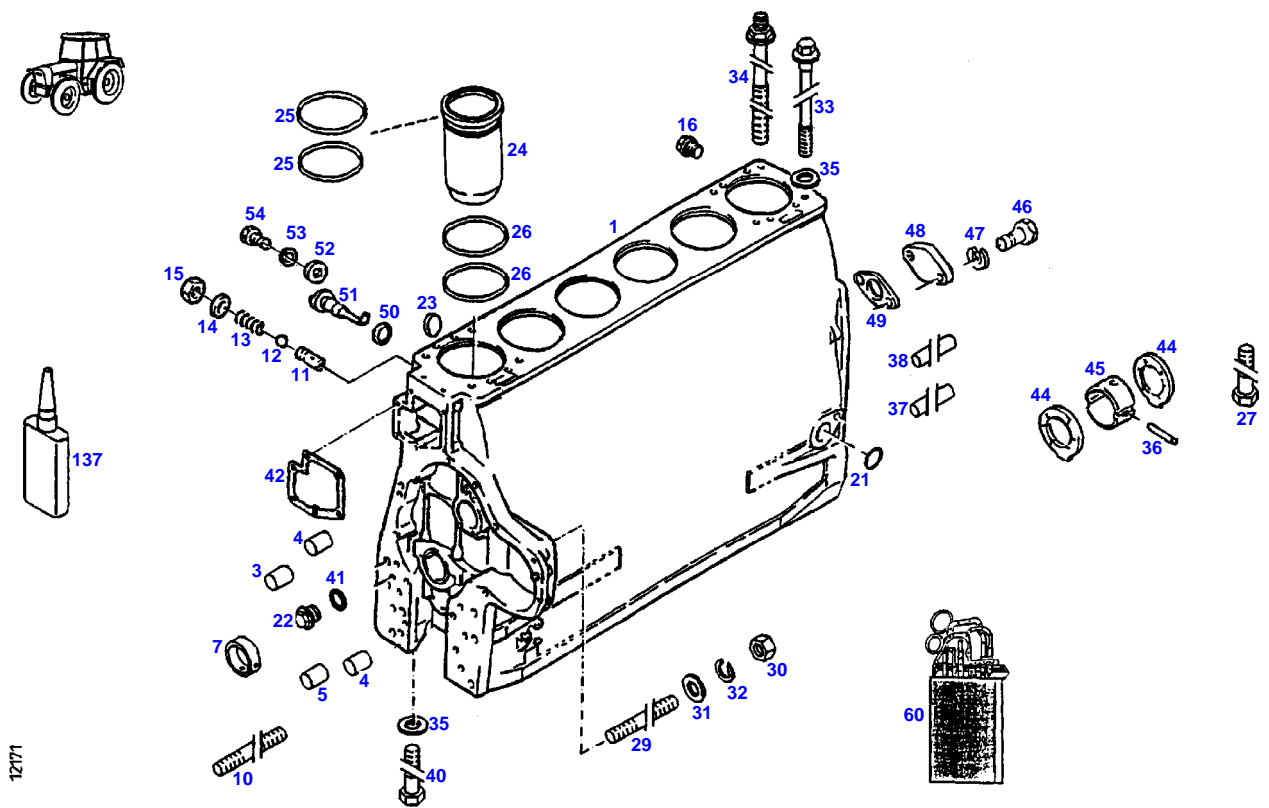
Enter the link into your browser.

The full manual is available for immediate download.

<https://www.ebooklibonline.com>

| Item | Part Number | Qty | Description Comments | Technical Specification |
|------|-------------|-----|--------------------------|-------------------------|
| | 72343911 | 2 | THRUST RING 69,79 MM | |
| | 72343912 | 2 | THRUST RING 69,54 MM | |
| | 72343913 | 2 | THRUST RING 69,04 MM | |
| 45 | 72341078 | 7 | MAIN BEARING 70,00 MM | |
| | 72341079 | 7 | MAIN BEARING 69,79 MM | |
| | 72341080 | 7 | MAIN BEARING 69,54 MM | |
| | 72341081 | 7 | MAIN BEARING 69,29 MM | |
| | 72341082 | 7 | MAIN BEARING 69,04 MM | |
| 48 | 72342978 | 1 | SEAL KIT TD 226 B-6 | |
| 50 | 72376423 | 6 | O-RING | 14X3-NBR 70 FWN56402 |
| 51 | 72334018 | 6 | NOZZLE | |
| 52 | 72334019 | 6 | DISC | |
| 53 | 72315053 | 6 | SPLIT WASHER | FWN 65208-8-A3L |
| 54 | 72315642 | 6 | HEXAGONAL HEAD BOLT | DIN 933 M8 X 16-8.8A3L |

FAVORIT 514 (514/00101-99999)
12171

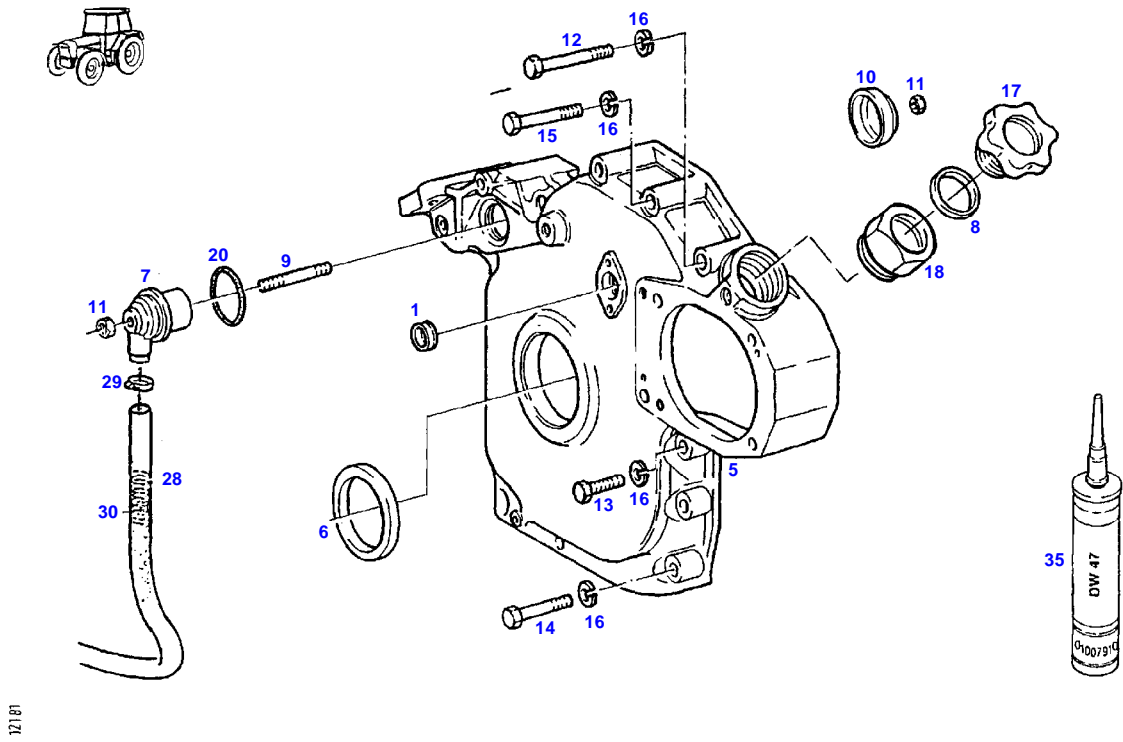


| Item | Part Number | Qty | Description Comments | Technical Specification |
|------|-------------|-----|--|-------------------------|
| | | | <-- 514/3662 | |
| | 72431125 | 1 | DIESEL ENGINE F514 | |
| 1 | 72342976 | 1 | CRANKCASE ><3-5,7,10-26,29,35,40,41 | |
| 3 | 72327772 | 10 | PLUG | |
| 4 | 72327773 | 3 | PLUG | |
| 5 | 72327068 | 2 | PLUG | |
| 7 | 72329540 | 1 | BUSH | |
| 10 | 72374625 | 1 | STUD BOLT | DIN 939 M8X30-10.9 |
| 11 | 72341074 | 1 | SCREW PIECE | |
| 12 | 72378872 | 1 | BALL | DIN 5401-9,0MM |
| 13 | 72341075 | 1 | COMPRESSION SPRING | |
| 14 | 72315097 | 1 | SEALING WASHER | DIN 7603 A16X20-CU |
| 15 | 72341076 | 1 | CAP NUT | |
| 16 | 72337035 | 1 | HEXAGONAL HEAD BOLT | |
| 21 | | | SEE TURBO CHARGER | |
| 22 | 72315797 | 1 | PLUG SCREW | DIN 7604 AM10X1-ST A3L |
| 23 | 72377226 | 5 | COVER | DIN 443-50 |
| 24 | 72425044 | 6 | CYLINDER LINER | |
| | 72416175 | 6 | CYLINDER LINER OVERLAP 0,05 MM | |
| | 72416176 | 6 | CYLINDER LINER OVERLAP 0,1 MM | |
| 25 | 72329541 | 12 | SEAL | |
| | 72431774 | 1 | REPAIR KIT | |
| 26 | 72343893 | 12 | SEAL | |
| | 72431774 | 1 | REPAIR KIT | |
| 27 | 72315534 | 1 | HEXAGONAL HEAD BOLT | DIN 931 M8 X 70-8.8 |
| 29 | 72313772 | 3 | STUD BOLT | DIN 939 M8X30-8.8 |
| 30 | 72372806 | 3 | NUT | DIN 934 M8-10A3L |
| 31 | 72321257 | 3 | DISC | |
| 32 | 72315053 | 3 | SPLIT WASHER | FWN 65208-8-A3L |
| 33 | 72333013 | 19 | SOCKET HEAD BOLT | |
| 34 | 72333014 | 5 | HEXAGONAL HEAD BOLT | |
| 35 | 72324592 | 38 | DISC | |
| 36 | 72375130 | 7 | TENSIONING PIN | ISO8752-4X8-A-ST-ZNPH |
| 37 | 72313859 | 4 | CYLINDER PIN | DIN 7-8M6X18-ST50K |
| 38 | 72375324 | 2 | CYLINDER PIN | DIN 7-10M6X28-ST50K |
| 40 | 72327081 | 14 | HEXAGONAL HEAD BOLT | |
| 41 | 72418441 | 1 | SEALING WASHER | DIN 7603 A10X14-CU |
| 42 | 72327043 | 1 | MOLDED SEAL | |
| 44 | 72343910 | 2 | THRUST RING 70,00 MM | |
| | 72343911 | 2 | THRUST RING 69,79 MM | |
| | 72343912 | 2 | THRUST RING 69,54 MM | |
| | 72343913 | 2 | THRUST RING 69,04 MM | |
| 45 | 72341078 | 7 | MAIN BEARING 70,00 MM | |
| | 72341079 | 7 | MAIN BEARING 69,79 MM | |
| | 72341080 | 7 | MAIN BEARING 69,54 MM | |
| | 72341081 | 7 | MAIN BEARING 69,29 MM | |
| | 72341082 | 7 | MAIN BEARING 69,04 MM | |
| 46 | 72315650 | 2 | HEXAGONAL HEAD BOLT | DIN 933 M8 X 20-8.8A3L |

| Item | Part Number | Qty | Description Comments | Technical Specification |
|-------------|--------------------|------------|---------------------------------|--------------------------------|
| 47 | 72315053 | 2 | SPLIT WASHER | FWN 65208-8-A3L |
| 48 | 72343896 | 1 | COVER | |
| 49 | 72333001 | 1 | SEAL | |
| 50 | 72376423 | 6 | O-RING | 14X3-NBR 70 FWN56402 |
| 51 | 72334018 | 6 | NOZZLE | |
| 52 | 72334019 | 6 | DISC | |
| 53 | 72315053 | 6 | SPLIT WASHER | FWN 65208-8-A3L |
| 54 | 72315642 | 6 | HEXAGONAL HEAD BOLT | DIN 933 M8 X 16-8.8A3L |
| 60 | 72342978 | 1 | SEAL KIT | |
| 137 | 72325407 | 1 | SAFE.LOCK AGENT | |

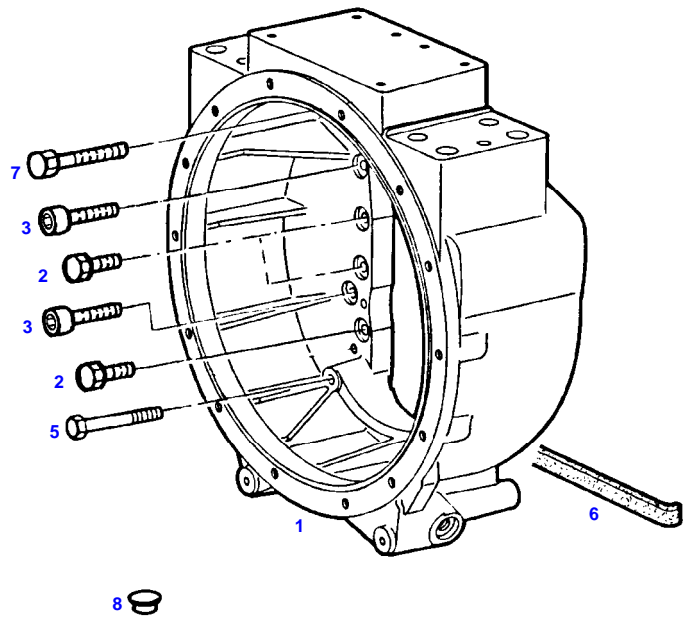
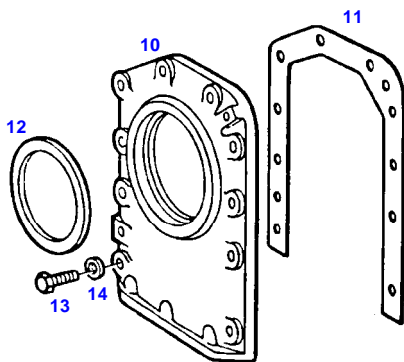
| Item | Part Number | Qty | Description Comments | Technical Specification |
|------|-------------|-----|--|------------------------------|
| | | | <-- 514/0101 --> 514/0400 <-- 514/1001 --> 514/3661 | |
| 1 | 72343896 | 1 | COVER | |
| 2 | 72376544 | 1 | O-RING | 42,2X3-NBR 70 FWN56402 |
| 3 | 72315650 | 2 | HEXAGONAL HEAD BOLT | DIN 933 M8 X 20-8.8A3L |
| 4 | 72317121 | 2 | SPRING WASHER | DIN 137 B8-MECH.VZK |
| 5 | 72342971 | 1 | CRANKCASE END COVER | |
| 6 | 72332982 | 1 | RADIAL SEALING RING | |
| 7 | 72326907 | 1 | HOUSING | |
| 8 | 72376514 | 1 | O-RING | 32X4-NBR 70 FWN56402 |
| 9 | 72326906 | 1 | THREADED PIN | |
| 10 | 72326904 | 1 | COVER PANEL | |
| 11 | 72372804 | 2 | NUT | DIN 934 M6-10 |
| 12 | 72315535 | 1 | HEXAGONAL HEAD BOLT | DIN 931 M8X75 GWA-10.9 |
| 13 | 72315660 | 1 | HEXAGONAL HEAD BOLT | DIN 933 M8X35-8.8A3L |
| 14 | 72374372 | 7 | HEXAGONAL HEAD BOLT | DIN 931 M8X45S-8.8 |
| 15 | 72315534 | 5 | HEXAGONAL HEAD BOLT | DIN 931 M8 X 70-8.8 |
| 16 | 72315053 | 13 | SPLIT WASHER | FWN 65208-8-A3L |
| 17 | 72321607 | 1 | PLUG | |
| 18 | 72342977 | 1 | EXTENSION TUBE | |
| 20 | 72376538 | 1 | O-RING | 40X4 |
| 28 | 72436284 | 1 | HOSE 1X 830MM CUT TO LENGTH | L=1120 FWN65912-19X3-PVC-W-G |
| 29 | 72311166 | 1 | HOSE CLIP | |
| 30 | 72407980 | 1 | COMPRESSION SPRING | |
| 35 | 72311273 | 1 | SEALING COMPOUND | TEROST-63S |

FAVORIT 514 (514/00101-99999)
12181



| Item | Part Number | Qty | Description Comments | Technical Specification |
|------|-------------|-----|-----------------------------------|------------------------------|
| | | | <-- 514/3662 | |
| 1 | 72327066 | 1 | COVER | |
| 5 | 72342971 | 1 | CRANKCASE END COVER | |
| 6 | 72332982 | 1 | RADIAL SEALING RING | |
| 7 | 72326907 | 1 | HOUSING | |
| 8 | 72376514 | 1 | O-RING | 32X4-NBR 70 FWN56402 |
| 9 | 72326906 | 1 | THREADED PIN | |
| 10 | 72326904 | 1 | COVER PANEL | |
| 11 | 72372804 | 2 | NUT | DIN 934 M6-10 |
| 12 | 72315535 | 1 | HEXAGONAL HEAD BOLT | DIN 931 M8X75 GWA-10.9 |
| 13 | 72315660 | 1 | HEXAGONAL HEAD BOLT | DIN 933 M8X35-8.8A3L |
| 14 | 72374372 | 7 | HEXAGONAL HEAD BOLT | DIN 931 M8X45S-8.8 |
| 15 | 72315534 | 5 | HEXAGONAL HEAD BOLT | DIN 931 M8 X 70-8.8 |
| 16 | 72315053 | 13 | SPLIT WASHER | FWN 65208-8-A3L |
| 17 | 72321607 | 1 | PLUG | |
| 18 | 72342977 | 1 | EXTENSION TUBE | |
| 20 | 72376538 | 1 | O-RING | 40X4 |
| 28 | 72436284 | 1 | HOSE 1X 830MM CUT TO LENGTH | L=1120 FWN65912-19X3-PVC-W-G |
| 29 | 72311166 | 1 | HOSE CLIP | |
| 30 | 72407980 | 1 | COMPRESSION SPRING | |
| 35 | 72325410 | 1 | SEALING COMPOUND | |

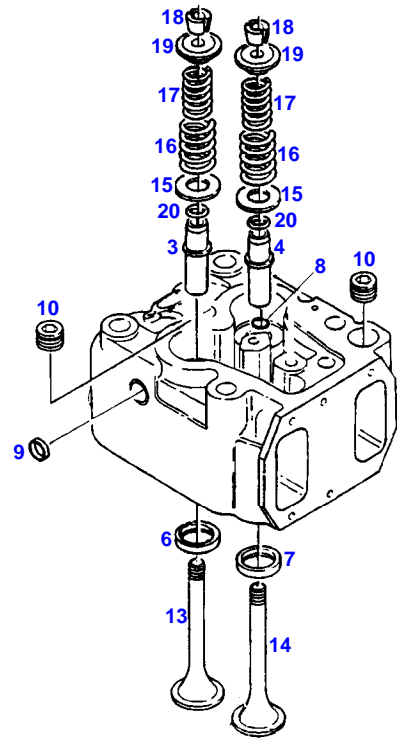
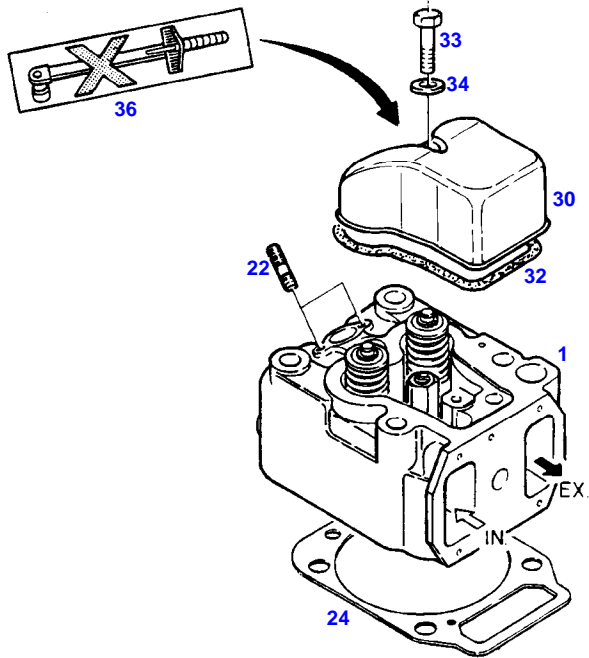
FAVORIT 514 (514/00101-99999)
8329



8329

| Item | Part Number | Qty | Description Comments | Technical Specification |
|------|-------------|-----|---|-------------------------|
| 1 | 72407273 | 1 | HOUSING | |
| 2 | 72315686 | 10 | HEXAGONAL HEAD BOLT | DIN 933-M10X35-12.9 |
| 3 | 72374073 | 4 | SOCKET HEAD BOLT ALTERNATIVELY | DIN 912 M12X45-12.9 |
| | 72374469 | 4 | HEXAGONAL HEAD BOLT ALTERNATIVELY | DIN 933-M12X45-12.9 |
| 5 | 72374189 | 2 | HEXAGONAL HEAD BOLT | DIN 931 M10X85-12.9 |
| 6 | 72325584 | 1 | RUBBER STRIP | |
| 7 | 72374220 | 4 | HEXAGONAL HEAD BOLT | DIN 931-M12X80-12.9 |
| 8 | 72314763 | 4 | LOCKING PLUG F211 | F211 |
| | 72375092 | 6 | LOCKING PLUG F12 | V14 |
| | 72375075 | 1 | LOCKING PLUG F3 | F3 |
| | 72314748 | 4 | LOCKING PLUG F11 | SW-F11 |
| 10 | 72330754 | 1 | CRANKCASE END COVER ><12 | |
| 11 | 72330755 | 1 | MOLDED SEAL <-- 514/0101 --> 514/0400 <-- 514/1001 --> 514/3661 | |
| | 72325410 | 1 | SEALING COMPOUND <-- 514/3662 | |
| 12 | 72376834 | 1 | SHAFT SEAL | 110X130X14,5 |
| 13 | 72315652 | 10 | HEXAGONAL HEAD BOLT | DIN 933 M8X25-8.8 |
| 14 | 72317121 | 10 | SPRING WASHER | DIN 137 B8-MECH.VZK |

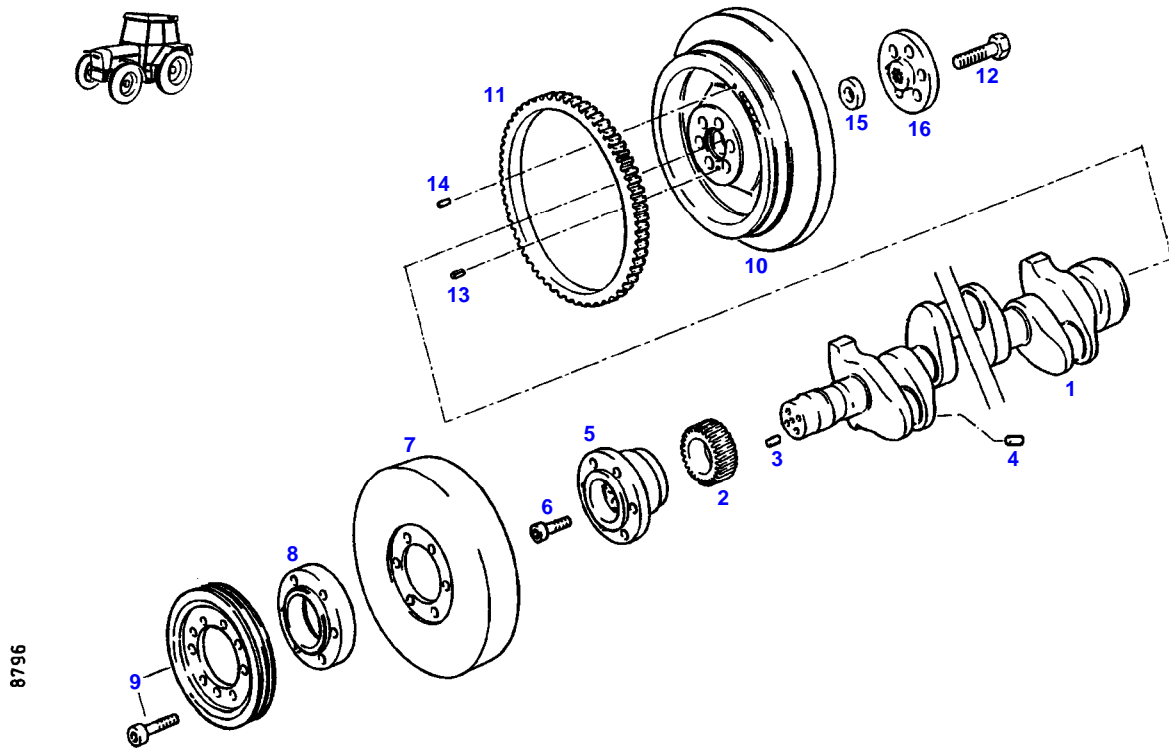
FAVORIT 514 (514/00101-99999)
10872



10872

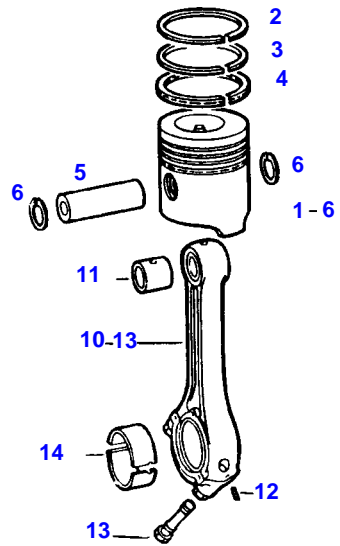
| Item | Part Number | Qty | Description Comments | Technical Specification |
|------|-------------|-----|---------------------------|-------------------------|
| 1 | 72342974 | 6 | CYLINDER HEAD ><3-20 | |
| 3 | 72343644 | 6 | VALVE GUIDE INTAKE | |
| 4 | 72343645 | 6 | VALVE GUIDE OUTLET | |
| 6 | 72343650 | 6 | VALVE SEAT RING INTAKE | |
| 7 | 72343902 | 6 | VALVE SEAT RING OUTLET | |
| 8 | 72327100 | 12 | LOCKWASHER | |
| 9 | 72311455 | 12 | COVER | |
| 10 | 72373948 | 12 | PLUG SCREW | DIN 906 M22X1,5-ST |
| 13 | 72343651 | 6 | POPPET | |
| 14 | 72343905 | 6 | POPPET | |
| 15 | 72340915 | 12 | DISC | |
| 16 | 72340913 | 12 | VALVE SPRING | |
| 17 | 72340914 | 12 | VALVE SPRING | |
| 18 | 72327092 | 24 | TAPER PIECE HALF | |
| 19 | 72327093 | 12 | SPRING RETAINER | |
| 20 | 72343647 | 12 | SEAL | |
| 22 | 72374627 | 12 | STUD BOLT | DIN 939 M8X40-8.8 |
| 24 | 72343992 | 6 | CYLINDER HEAD GASKET | |
| | 72431774 | 1 | REPAIR KIT | |
| 30 | 72343906 | 6 | CYLINDER HEAD COVER | |
| 32 | 72343908 | 6 | MOLDED SEAL | |
| 33 | 72315659 | 6 | HEXAGONAL HEAD BOLT | DIN 933 M8X35-8.8 |
| 34 | 72315087 | 6 | SEALING WASHER | DIN 7603 A8X14-CU |
| 36 | 72342973 | 6 | LABEL | |

FAVORIT 514 (514/00101-99999)
8796



| Item | Part Number | Qty | Description Comments | Technical Specification |
|------|-------------|-----|-------------------------|-------------------------|
| 1 | 72342979 | 1 | CRANKSHAFT ><2-4 | |
| 2 | 72341105 | 1 | SPUR GEAR | |
| 3 | 72313801 | 1 | TENSIONING PIN | ISO8752-4X14-A-ST |
| 4 | 72337059 | 6 | PLUG | |
| 5 | 72332604 | 1 | HUB | |
| 6 | 72374113 | 4 | SOCKET HEAD BOLT | DIN 912 M16X50-10.9 |
| 7 | 72344802 | 1 | VIBRATION DAMPER | |
| 8 | 72332603 | 1 | INTERMEDIATE FLANGE | |
| 9 | | | SEE V-BELT | |
| 10 | 72344803 | 1 | FLYWHEEL ><11,14 | |
| 11 | 72330772 | 1 | RING GEAR | |
| 12 | 72315736 | 6 | HEXAGONAL HEAD BOLT | DIN 933 M16X50 GWA-10.9 |
| 13 | 72375149 | 1 | TENSIONING PIN | ISO8752-6X10-A-ST |
| 14 | 72344730 | 1 | PIN | |
| 15 | 72341111 | 1 | FLANGE BUSHING | |
| 16 | 72410758 | 1 | COUPLING FLANGE | |

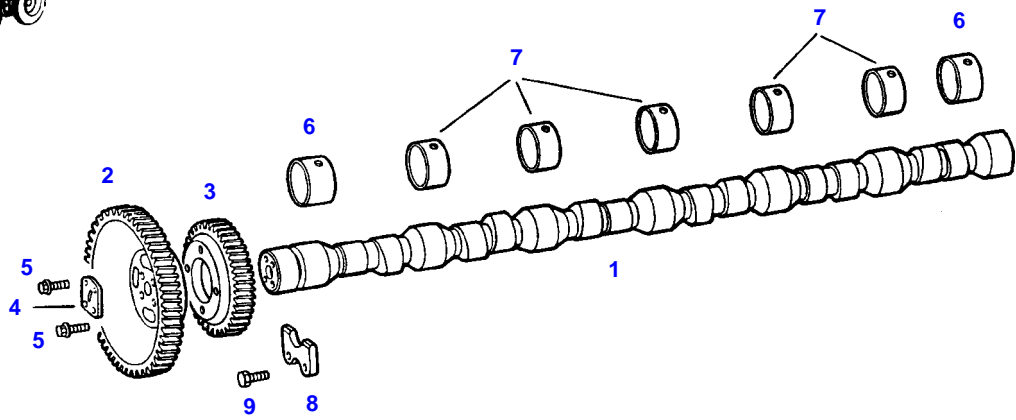
FAVORIT 514 (514/00101-99999)
3119



3119

| Item | Part Number | Qty | Description Comments | Technical Specification |
|------|-------------|-----|------------------------------------|--------------------------------|
| 1 | 72333026 | 6 | PISTON ><2-6 | |
| 2 | 72333027 | 6 | PISTON RING KIT ><2-4 | |
| 3 | | | NOT AVAILABLE IN SINGLE PARTS | |
| 4 | | | NOT AVAILABLE IN SINGLE PARTS | |
| 5 | | | NOT AVAILABLE IN SINGLE PARTS | |
| 6 | 72332584 | 12 | LOCKWASHER | |
| 10 | 72343926 | 6 | PISTON ROD ><11-13 | |
| 11 | 72341118 | 6 | SMALL-END BUSH | |
| 12 | 72313802 | 6 | TENSIONING PIN | ISO8752-4X16-A-ST-ZNPHR10F-KOE |
| 13 | 72327143 | 12 | CONNECTING ROD BOLT | |
| 14 | 72341119 | 6 | CONNECTING ROD BEARING 63,00 MM | |
| | 72341120 | 6 | CONNECTING ROD BEARING 62,75 MM | |
| | 72341121 | 6 | CONNECTING ROD BEARING 62,50 MM | |
| | 72341122 | 6 | CONNECTING ROD BEARING 62,25 MM | |
| | 72341123 | 6 | CONNECTING ROD BEARING 62,00 MM | |

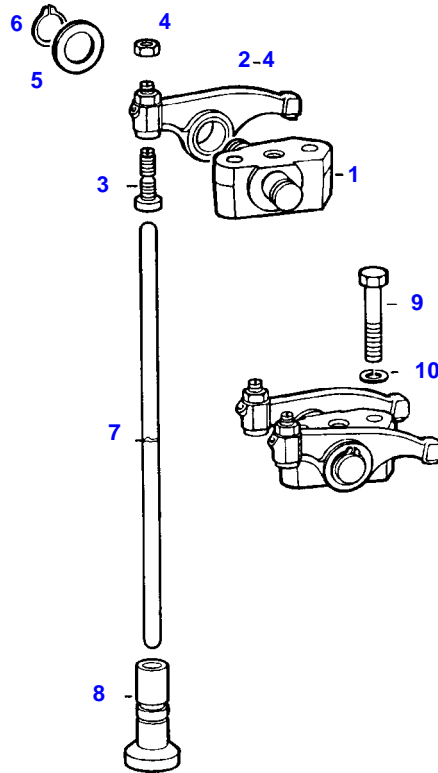
FAVORIT 514 (514/00101-99999)
4689



4689

| Item | Part Number | Qty | Description Comments | Technical Specification |
|------|-------------|-----|-------------------------|-------------------------|
| 1 | 72333000 | 1 | CAMSHAFT | |
| 2 | 72343928 | 1 | SPUR GEAR | |
| 3 | 72343929 | 1 | SPUR GEAR | |
| 4 | 72331325 | 1 | PROFILED FLANGE | |
| 5 | 72375063 | 8 | LOCK SCREW | FWN 64993 M8X22-12.9 |
| 6 | 72332989 | 2 | BUSH REPAIR STEP | |
| 7 | 72332990 | 5 | BUSH REPAIR STEP | |
| 8 | 72343930 | 1 | SEGMENT | |
| 9 | 72375061 | 2 | LOCK SCREW | W151.12 M8X16-90 |

FAVORIT 514 (514/00101-99999)
3121

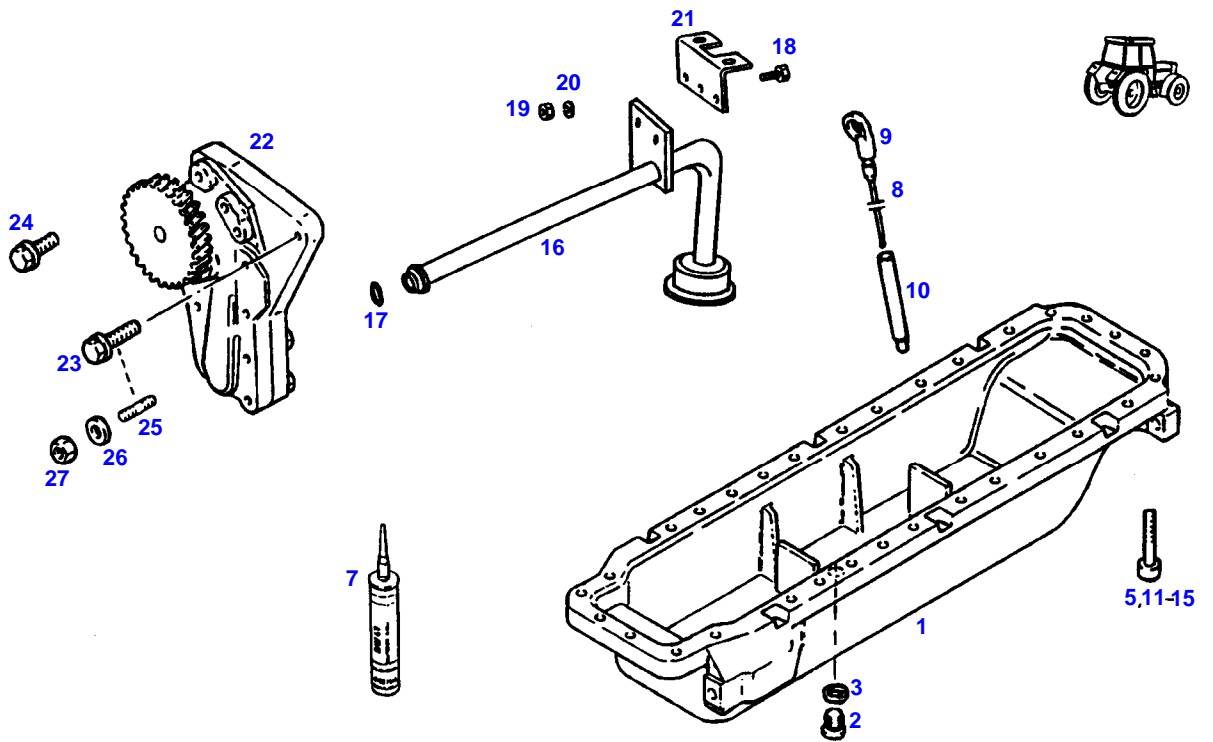


3121

| Item | Part Number | Qty | Description Comments | Technical Specification |
|------|-------------|-----|-------------------------------------|-------------------------|
| 1 | 72343933 | 6 | ROCKER ARM SUPPORT | |
| 2 | 72343934 | 12 | ROCKER ARM ><3+4 | |
| 3 | 72343935 | 12 | ADJUSTING SCREW | |
| 4 | 72343936 | 12 | NUT | |
| 5 | 72321237 | 24 | DISC | |
| 6 | 72375559 | 12 | LOCK WASHER | DIN 471-16X1 |
| 7 | 72330785 | 12 | BUMPER | |
| 8 | 72343937 | 12 | MUSHROOM TAPPET | |
| | 72423816 | 12 | MUSHROOM TAPPET OVERSIZE 19,5 MM | |
| 9 | 72315691 | 12 | HEXAGONAL HEAD BOLT | DIN 933 M10X40-8.8A3L |
| 10 | 72315054 | 12 | SPLIT WASHER | FWN 65208-10-A3L |

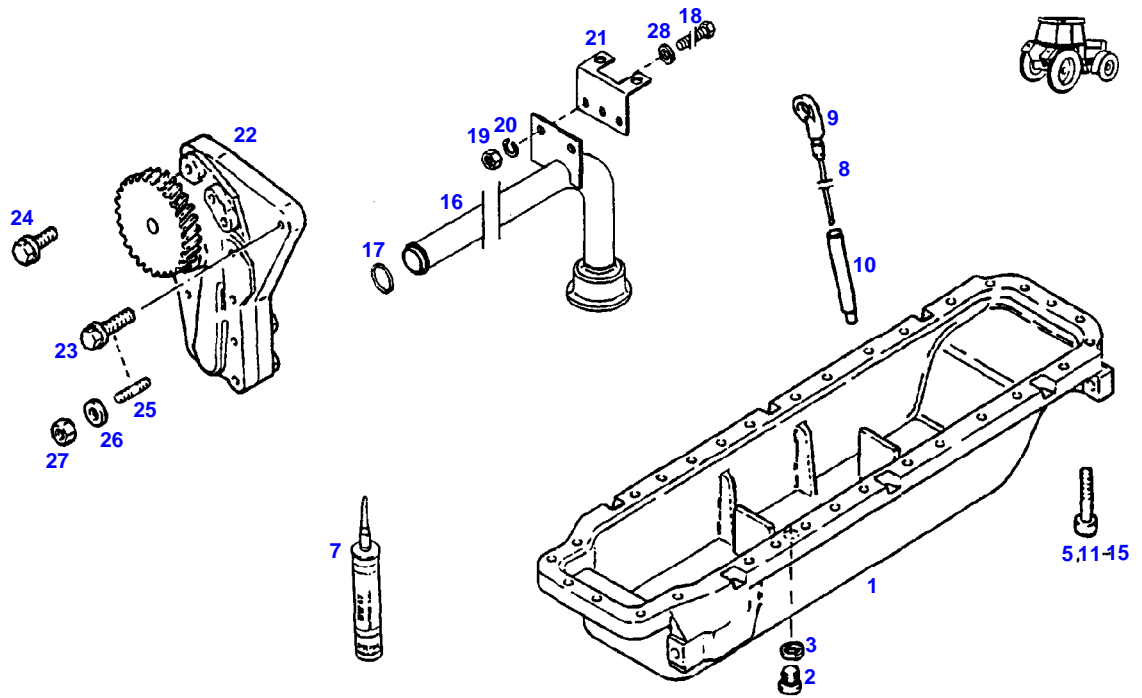
FAVORIT 514 (514/00101-99999)
8800

8800



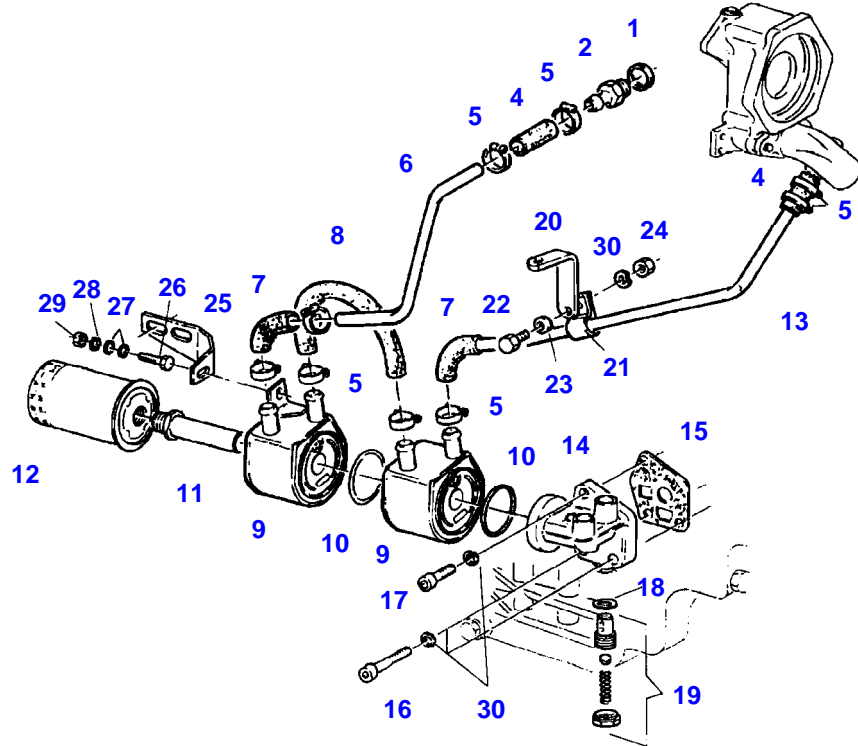
| Item | Part Number | Qty | Description Comments | Technical Specification |
|------|-------------|-----|--|-------------------------|
| | | | <-- 514/0101 --> 514/0400 <-- 514/1001 --> 514/3661 | |
| 1 | 72344731 | 1 | OIL PAN >>2,3 | |
| 2 | 72373963 | 1 | HEX CAP SCREW | DIN 908-G1/2A-ST |
| 3 | 72332580 | 1 | SEALING WASHER | |
| 5 | 72374041 | 3 | SOCKET HEAD BOLT | DIN 912-M8X170-10.9 |
| 7 | 72311273 | 1 | SEALING COMPOUND | TEROST-63S |
| 8 | 72344732 | 1 | DIPSTICK | |
| 9 | 72376384 | 1 | O-RING | 7,3X2,4 |
| 10 | 72329118 | 1 | PIPE | |
| 11 | 72374024 | 7 | SOCKET HEAD BOLT | DIN 912-M8X45-10.9 |
| 12 | 72315484 | 18 | SOCKET HEAD BOLT | DIN 912 M8X65-10.9A3L |
| 13 | 72374032 | 2 | SOCKET HEAD BOLT | DIN 912 M8X100-10.9 |
| 14 | 72374038 | 3 | SOCKET HEAD BOLT | DIN 912 M8X140-10.9 |
| 15 | 72374073 | 4 | SOCKET HEAD BOLT | DIN 912 M12X45-12.9 |
| 16 | 72340918 | 1 | LUBE OIL SUCTION LINE | |
| 17 | 72376491 | 1 | O-RING | 25X4-FPM 70 FWN56402 |
| 18 | 72315642 | 2 | HEXAGONAL HEAD BOLT | DIN 933 M8 X 16-8.8A3L |
| 19 | 72313268 | 2 | NUT | DIN 934 M8-8A3L |
| 20 | 72315053 | 2 | SPLIT WASHER | FWN 65208-8-A3L |
| 21 | 72330779 | 1 | GUSSET PLATE | |
| 22 | 72340917 | 1 | OIL GEAR PUMP | |
| 23 | 72375067 | 1 | LOCK SCREW | FWN 64993 M8X35-90 |
| 24 | 72375063 | 1 | LOCK SCREW | FWN 64993 M8X22-12.9 |
| 25 | 72374623 | 1 | STUD BOLT | DIN 939-M8X25-8.8 |
| 26 | 72340920 | 1 | DISC | |
| 27 | 72340921 | 1 | MIDGRIP NUT | |

FAVORIT 514 (514/00101-99999)
12182



| Item | Part Number | Qty | Description Comments | Technical Specification |
|------|-------------|-----|-------------------------|-------------------------|
| | | | <-- 514/3662 | |
| 1 | 72344731 | 1 | OIL PAN ><2,3 | |
| 2 | 72373963 | 1 | HEX CAP SCREW | DIN 908-G1/2A-ST |
| 3 | 72332580 | 1 | SEALING WASHER | |
| 5 | 72374041 | 3 | SOCKET HEAD BOLT | DIN 912-M8X170-10.9 |
| 7 | 72325410 | 1 | SEALING COMPOUND | |
| 8 | 72344732 | 1 | DIPSTICK | |
| 9 | 72376384 | 1 | O-RING | 7,3X2,4 |
| 10 | 72329118 | 1 | PIPE | |
| 11 | 72374024 | 7 | SOCKET HEAD BOLT | DIN 912-M8X45-10.9 |
| 12 | 72315484 | 18 | SOCKET HEAD BOLT | DIN 912 M8X65-10.9A3L |
| 13 | 72374032 | 2 | SOCKET HEAD BOLT | DIN 912 M8X100-10.9 |
| 14 | 72374038 | 3 | SOCKET HEAD BOLT | DIN 912 M8X140-10.9 |
| 15 | 72374073 | 4 | SOCKET HEAD BOLT | DIN 912 M12X45-12.9 |
| 16 | 72340918 | 1 | LUBE OIL SUCTION LINE | |
| 17 | 72376491 | 1 | O-RING | 25X4-FPM 70 FWN56402 |
| 18 | 72315653 | 2 | HEXAGONAL HEAD BOLT | DIN 933 M8 X 25-8.8A3L |
| 19 | 72372806 | 2 | NUT | DIN 934 M8-10A3L |
| 20 | 72315053 | 2 | SPLIT WASHER | FWN 65208-8-A3L |
| 21 | 72330779 | 1 | GUSSET PLATE | |
| 22 | 72340917 | 1 | OIL GEAR PUMP | |
| 23 | 72375067 | 1 | LOCK SCREW | FWN 64993 M8X35-90 |
| 24 | 72375063 | 1 | LOCK SCREW | FWN 64993 M8X22-12.9 |
| 25 | 72374623 | 1 | STUD BOLT | DIN 939-M8X25-8.8 |
| 26 | 72340920 | 1 | DISC | |
| 27 | 72340921 | 1 | MIDGRIP NUT | |
| 28 | 72325402 | 2 | DISC | |

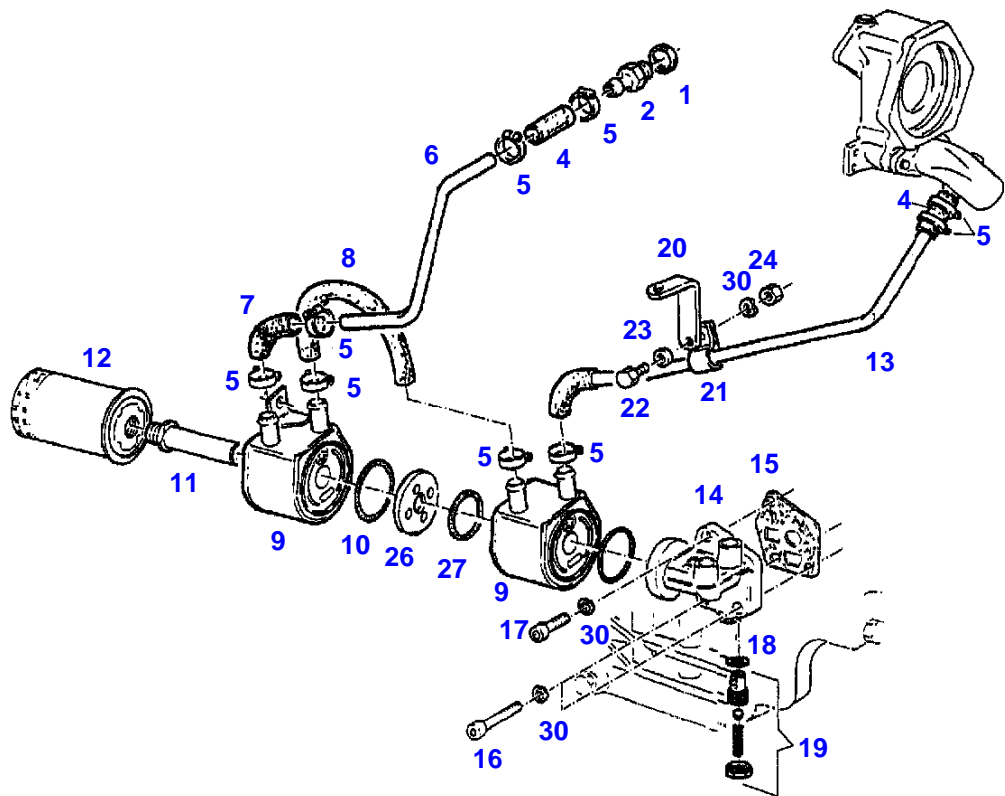
FAVORIT 514 (514/00101-99999)
10429



010429

| Item | Part Number | Qty | Description Comments | Technical Specification |
|------|-------------|-----|--|-------------------------|
| | | | --> 514/3322 | |
| 1 | 72315101 | 1 | SEALING WASHER | DIN 7603 A22X27-CU |
| 2 | 72396595 | 1 | HOSE BARB | |
| 4 | 72396335 | 2 | HOSE PIECE | |
| 5 | 72311167 | 10 | HOSE CLIP | |
| 6 | 72410910 | 1 | COOLANT LINE | |
| 7 | 72435869 | 2 | RUBBER ARCH | |
| 8 | 72395937 | 1 | HOSE ARCH | |
| 9 | 72350047 | 1 | OIL COOLER SUPERSESION CONTENTS 2 PCE. | |
| | 72315797 | 1 | PLUG SCREW | DIN 7604 AM10X1-ST A3L |
| | 72315088 | 1 | SEALING WASHER | DIN 7603 A10X13,5-CU |
| 10 | 72396334 | 2 | O-RING | |
| 11 | 72409108 | 1 | SCREW PIECE | |
| 12 | 72311026 | 1 | OIL FILTER | |
| 13 | 72407560 | 1 | COOLANT LINE | |
| 14 | 72350653 | 1 | FILTER HEAD ><18,19 | |
| 15 | 72327148 | 1 | MOLDED SEAL | |
| 16 | 72374992 | 2 | SOCKET HEAD BOLT | DIN 7984 M10X40-8.8 |
| 17 | 72374991 | 1 | SOCKET HEAD BOLT | DIN 7984 M10X30-8.8 |
| 18 | 72376031 | 1 | SEALING WASHER | DIN 7603 A20X24-CU |
| 19 | 72341135 | 1 | VALVE | |
| 20 | 72407558 | 1 | ANGLE | |
| 21 | 72386726 | 1 | PIPE CLAMP | |
| 22 | 72315679 | 1 | HEXAGONAL HEAD BOLT | DIN 933 M10X20-8.8A3L |
| 23 | 72311789 | 1 | DISC | DIN 125-10,5-ST.A3L |
| 24 | 72313272 | 1 | NUT | DIN 934 M10-8A3L |
| 25 | 72395940 | 1 | RETAINER | |
| 26 | 72315642 | 1 | HEXAGONAL HEAD BOLT | DIN 933 M8 X 16-8.8A3L |
| 27 | 72311788 | 2 | DISC | DIN 125-8,4-ST.A3L |
| 28 | 72317121 | 1 | SPRING WASHER | DIN 137 B8-MECH.VZK |
| 29 | 72313268 | 1 | NUT | DIN 934 M8-8A3L |
| 30 | 72317122 | 4 | SPRING WASHER | DIN 137 B10-MECH.VZK |

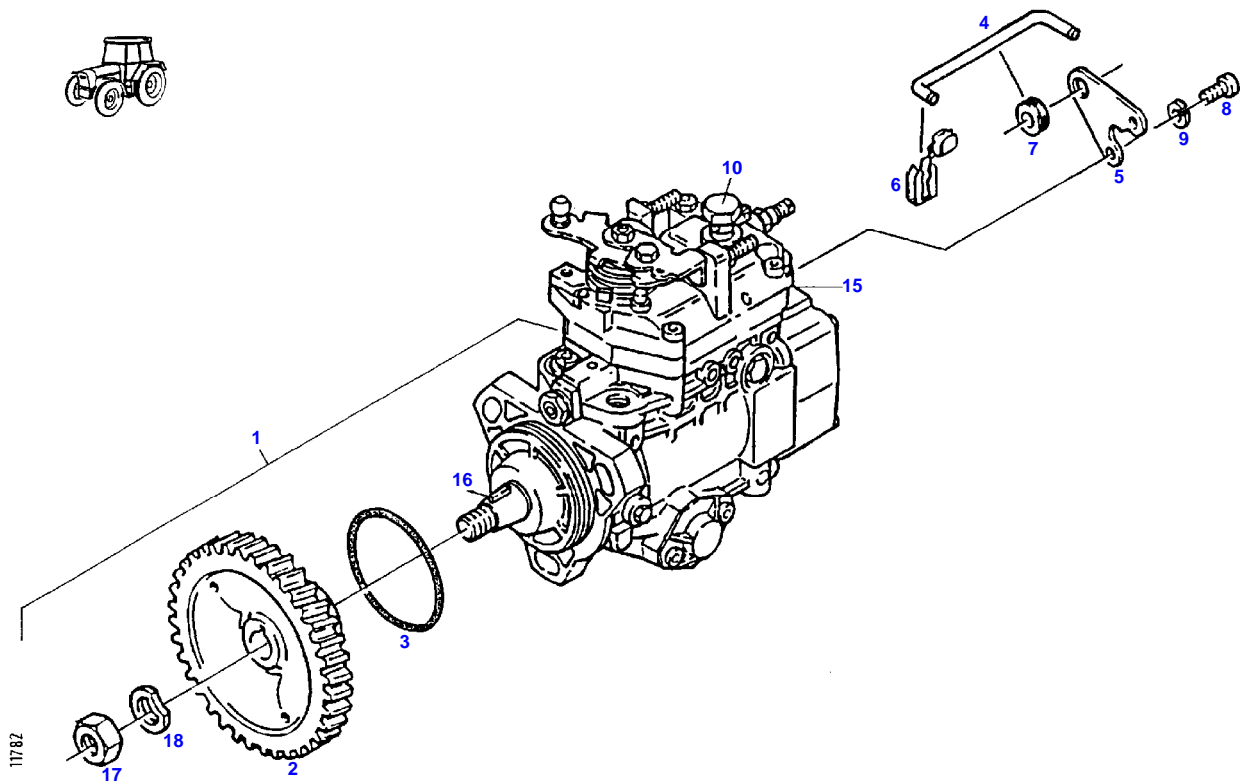
FAVORIT 514 (514/00101-99999)
31795



031795

| Item | Part Number | Qty | Description Comments | Technical Specification |
|------|-------------|-----|-------------------------|-------------------------|
| | | | <-- 514/3323 | |
| 1 | 72315101 | 1 | SEALING WASHER | DIN 7603 A22X27-CU |
| 2 | 72396595 | 1 | HOSE BARB | |
| 4 | 72396335 | 2 | HOSE PIECE | |
| 5 | 72311167 | 10 | HOSE CLIP | |
| 6 | 72410910 | 1 | COOLANT LINE | |
| 7 | 72435869 | 2 | RUBBER ARCH | |
| 8 | 72395937 | 1 | HOSE ARCH | |
| 9 | 72350652 | 2 | OIL COOLER | |
| | 72315797 | 2 | PLUG SCREW | DIN 7604 AM10X1-ST A3L |
| | 72315088 | 2 | SEALING WASHER | DIN 7603 A10X13,5-CU |
| 10 | 72410911 | 2 | SEALING RING | |
| 11 | 72410909 | 1 | SCREW PIECE | |
| 12 | 72311026 | 1 | OIL FILTER | |
| 13 | 72407560 | 1 | COOLANT LINE | |
| 14 | 72350653 | 1 | FILTER HEAD | |
| | | | ><18,19 | |
| 15 | 72327148 | 1 | MOLDED SEAL | |
| 16 | 72374992 | 2 | SOCKET HEAD BOLT | DIN 7984 M10X40-8.8 |
| 17 | 72374991 | 1 | SOCKET HEAD BOLT | DIN 7984 M10X30-8.8 |
| 18 | 72376031 | 1 | SEALING WASHER | DIN 7603 A20X24-CU |
| 19 | 72341135 | 1 | VALVE | |
| 20 | 72407558 | 1 | ANGLE | |
| 21 | 72386726 | 1 | PIPE CLAMP | |
| 22 | 72315679 | 1 | HEXAGONAL HEAD BOLT | DIN 933 M10X20-8.8A3L |
| 23 | 72311789 | 1 | DISC | DIN 125-10,5-ST.A3L |
| 24 | 72313272 | 1 | NUT | DIN 934 M10-8A3L |
| 26 | 72410908 | 1 | INTERMEDIATE PLATE | |
| 27 | 72410912 | 1 | SEAL | |
| 30 | 72317122 | 4 | SPRING WASHER | DIN 137 B10-MECH.VZK |

FAVORIT 514 (514/00101-99999)
11782





Suggest:

For more complete manuals. Please go to the home page.

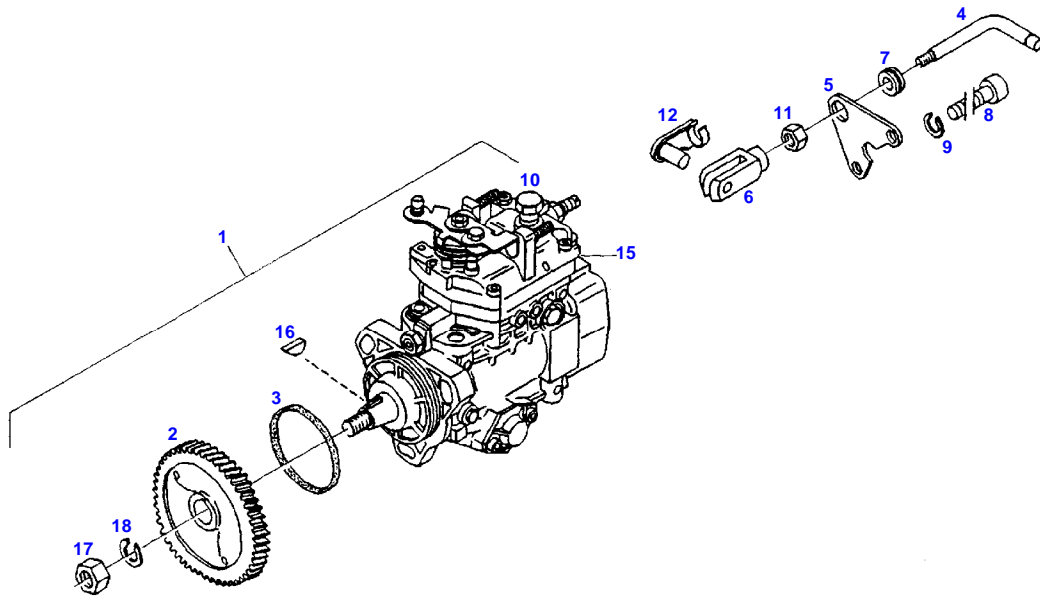
<https://www.ebooklibonline.com>

If the above button click is invalid. Please download this document first, and then click the above link to download the complete manual.

Thank you so much for reading

| Item | Part Number | Qty | Description Comments | Technical Specification |
|------|-------------|-----|--|-------------------------|
| | | | <-- 514/0101 --> 514/0400 <-- 514/1001 --> 514/3434 | |
| 1 | 72342990 | 1 | INJECTION PUMP >>10,15-18 | |
| 2 | 72342991 | 1 | SPUR GEAR | |
| 3 | 72342992 | 1 | O-RING | |
| 4 | 72410862 | 1 | ROD <> | |
| | 72310445 | 1 | BOLT | FWN 64072 6X12 A3L |
| | 72410863 | 1 | RETAINING SHEET METAL | |
| | 72311306 | 1 | CLEVIS | DIN 71752 G6X12-A3L |
| | 72313266 | 1 | NUT | DIN 934 M6-8A3L |
| 5 | 72410863 | 1 | RETAINING SHEET METAL <> | |
| | 72311306 | 1 | CLEVIS | DIN 71752 G6X12-A3L |
| | 72310445 | 1 | BOLT | FWN 64072 6X12 A3L |
| | 72410862 | 1 | ROD | |
| | 72313266 | 1 | NUT | DIN 934 M6-8A3L |
| 6 | 72342995 | 1 | LOCK SPRING | |
| 7 | 72316354 | 1 | CABLE BUSHING | 9X12X16 |
| 8 | 72374005 | 1 | SOCKET HEAD BOLT | DIN 912 M6X16-10.9 |
| 9 | 72315052 | 1 | SPLIT WASHER | FWN 65208-6-A3L |
| 10 | 72315350 | 1 | BANJO BOLT | |
| 15 | 72316840 | 1 | SOLENOID SWITCH | |
| 16 | 72416161 | 1 | FITTING KEY | |
| 17 | 72313281 | 1 | NUT | DIN 934 M14X1,5-8A3L |
| 18 | 72315056 | 1 | SPLIT WASHER | FWN 65208-14-A3L |

FAVORIT 514 (514/00101-99999)
12183



12183

<https://www.ebooklibonline.com>

Hello dear friend!

Thank you very much for reading.

Enter the link into your browser.

The full manual is available for immediate download.

<https://www.ebooklibonline.com>