

| Page Number | Page Title | Page Reference |
|--------------------|-------------------------------------|-----------------------|
| 01-000-TOC | ENGINE, FUEL AND EXHAUST SYSTEM | 01-000-TOC |
| 02-000-TOC | AXLES | 02-000-TOC |
| 03-000-TOC | STEERING SYSTEM | 03-000-TOC |
| 04-000-TOC | DRIVE TRAIN SYSTEM | 04-000-TOC |
| 05-000-TOC | COMPRESSED AIR SYSTEM | 05-000-TOC |
| 06-000-TOC | HYDRAULIC SYSTEM | 06-000-TOC |
| 07-000-TOC | ELECTRICAL SYSTEM | 07-000-TOC |
| 08-000-TOC | CAB | 08-000-TOC |
| 09-000-TOC | AIR CONDITIONING AND HEATING SYSTEM | 09-000-TOC |
| 10-000-TOC | CHASSIS | 10-000-TOC |
| 11-000-TOC | WHEELS | 11-000-TOC |
| 12-000-TOC | IMPLEMENT LIFT SYSTEM FRONT | 12-000-TOC |
| 13-000-TOC | IMPLEMENT LIFT SYSTEM REAR | 13-000-TOC |
| 14-000-TOC | FRONT/REAR LOADERS | 14-000-TOC |
| 15-000-TOC | ACCESSORIES | 15-000-TOC |

| Item | Part Number | Qty | Description Comments | Technical Specification |
|------|-------------|-----|---|-------------------------|
| | 72431117 | 1 | DIESEL ENGINE <-- 509/0101 --> 509/0300 <-- 509/1001 --> 509/3000 F509 | |
| | 72431118 | 1 | DIESEL ENGINE <-- 509/0301 --> 509/0400 <-- 509/3001 F509 | |
| 1 | 72416159 | 1 | CRANKCASE ><3-28 ENG.NO. --> 765486 <> <> | |
| | 72337035 | 1 | HEXAGONAL HEAD BOLT | |
| | 72416321 | 1 | CAMSHAFT | |
| | 72340921 | 1 | MIDGRIP NUT | |
| | 72340920 | 1 | DISC | |
| | 72329118 | 1 | PIPE | |
| 3 | 72425044 | 4 | CYLINDER LINER | |
| | 72416175 | 4 | CYLINDER LINER OVERLAP 0,05 MM | |
| | 72416176 | 4 | CYLINDER LINER OVERLAP 0,1 MM | |
| 4 | 72329541 | 8 | SEAL | |
| | 72431774 | 1 | REPAIR KIT | |
| 5 | 72343893 | 8 | SEAL | |
| | 72431774 | 1 | REPAIR KIT | |
| 6 | 72341074 | 1 | SCREW PIECE | |
| 7 | 72378872 | 1 | BALL | DIN 5401-9,0MM |
| 8 | 72341075 | 1 | COMPRESSION SPRING | |
| 9 | 72315097 | 1 | SEALING WASHER | DIN 7603 A16X20-CU |
| 10 | 72341076 | 1 | CAP NUT | |
| 12 | 72315436 | 1 | SCREW | DIN 908 M10X1-ST A3L |
| 13 | 72315088 | 1 | SEALING WASHER | DIN 7603 A10X13,5-CU |
| 14 | 72329540 | 1 | BUSH | |
| 15 | 72340921 | 1 | MIDGRIP NUT | |
| 16 | 72340920 | 1 | DISC | |
| 17 | 72374623 | 1 | STUD BOLT | DIN 939-M8X25-8.8 |
| 18 | 72324592 | 10 | DISC | |
| 19 | 72327081 | 10 | HEXAGONAL HEAD BOLT | |
| 20 | 72337035 | 1 | HEXAGONAL HEAD BOLT | |
| 22 | 72313772 | 3 | STUD BOLT | DIN 939 M8X30-8.8 |
| 23 | 72321257 | 3 | DISC | |
| 24 | 72315053 | 3 | SPLIT WASHER | FWN 65208-8-A3L |
| 25 | 72313268 | 3 | NUT | DIN 934 M8-8A3L |
| 27 | 72375130 | 5 | TENSIONING PIN | ISO8752-4X8-A-ST-ZNPH |
| 28 | 72377226 | 3 | COVER | DIN 443-50 |
| 30 | 72313859 | 4 | CYLINDER PIN | DIN 7-8M6X18-ST50K |
| 31 | 72375324 | 2 | CYLINDER PIN | DIN 7-10M6X28-ST50K |
| 33 | 72327043 | 1 | MOLDED SEAL | |
| 35 | 72333013 | 14 | SOCKET HEAD BOLT | |
| 36 | 72333014 | 2 | HEXAGONAL HEAD BOLT | |
| 37 | 72324592 | 16 | DISC | |
| 40 | 72315650 | 2 | HEXAGONAL HEAD BOLT | DIN 933 M8 X 20-8.8A3L |
| 41 | 72315053 | 2 | SPLIT WASHER | FWN 65208-8-A3L |
| 42 | 72343896 | 1 | COVER | |
| 43 | 72333001 | 1 | SEAL | |
| 44 | 72343910 | 2 | THRUST RING 70,00 MM | |
| | 72343911 | 2 | THRUST RING 69,79 MM | |
| | 72343912 | 2 | THRUST RING 69,54 MM | |

<https://www.ebooklibonline.com>

Hello dear friend!

Thank you very much for reading.

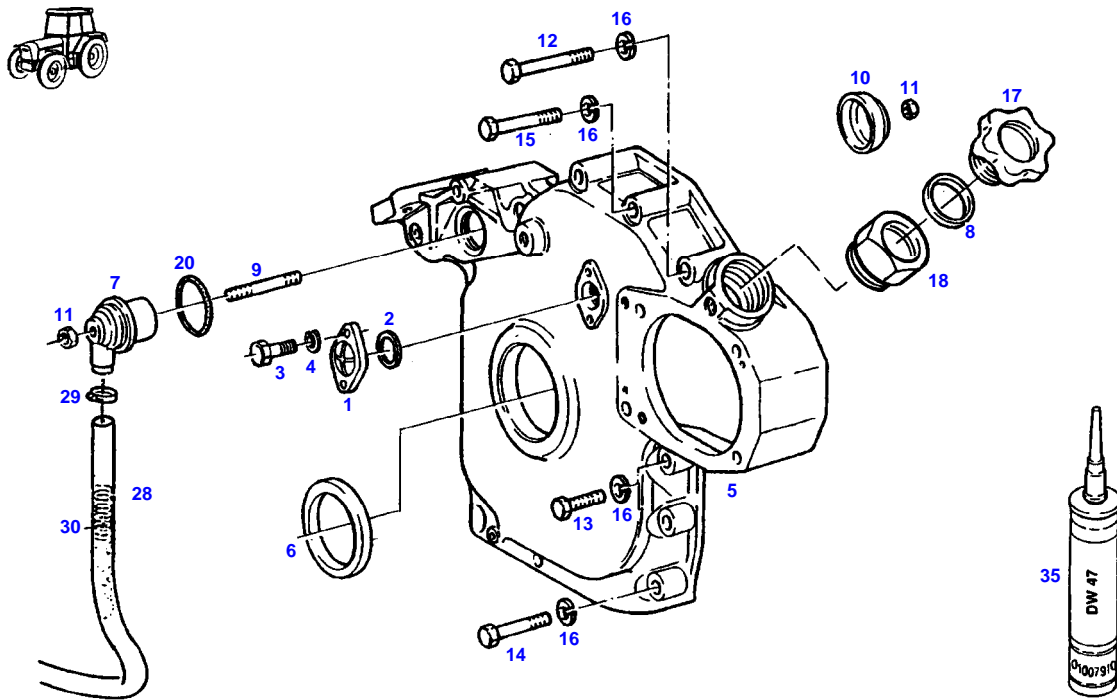
Enter the link into your browser.

The full manual is available for immediate download.

<https://www.ebooklibonline.com>

| Item | Part Number | Qty | Description Comments | Technical Specification |
|------|-------------|-----|--|-------------------------|
| | 72343913 | 2 | THRUST RING 69,04 MM | |
| 45 | 72341078 | 5 | MAIN BEARING 70,00 MM | |
| | 72341079 | 5 | MAIN BEARING 69,79 MM | |
| | 72341080 | 5 | MAIN BEARING 69,54 MM | |
| | 72341081 | 5 | MAIN BEARING 69,29 MM | |
| | 72341082 | 5 | MAIN BEARING 69,04 MM | |
| 48 | 72376423 | 4 | O-RING | 14X3-NBR 70 FWN56402 |
| 49 | 72334018 | 4 | NOZZLE | |
| 50 | 72334019 | 4 | DISC | |
| 51 | 72315053 | 4 | SPLIT WASHER | FWN 65208-8-A3L |
| 52 | 72315642 | 4 | HEXAGONAL HEAD BOLT | DIN 933 M8 X 16-8.8A3L |
| 55 | 72315808 | 1 | BANJO BOLT --> 509/1411 | DIN 7643-10-3-A3L |
| 56 | 72315094 | 2 | SEALING WASHER --> 509/1411 | DIN 7603 A14X18-CU |
| 57 | 72313976 | 1 | COOLING WATER DRAIN LINE --> 509/1411 | |
| 58 | 72438345 | 1 | HOSE CLIP --> 509/1411 | |
| 59 | 72355704 | 1 | HOSE RETAINER --> 509/1411 | |
| 60 | 72315088 | 1 | SEALING WASHER --> 509/1411 | DIN 7603 A10X13,5-CU |
| 61 | 72315436 | 1 | SCREW --> 509/1411 | DIN 908 M10X1-ST A3L |
| 65 | 72342939 | 1 | SEAL KIT TD 226 B-4 | |
| 67 | 72315799 | 1 | PLUG <-- 509/1412 | DIN 7604 AM14X1,5-A3L |
| 68 | 72315094 | 1 | SEALING WASHER <-- 509/1412 | DIN 7603 A14X18-CU |

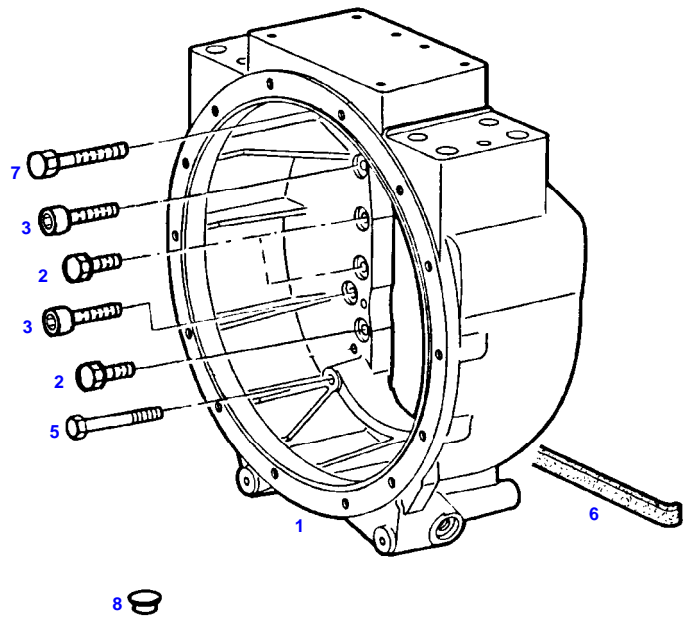
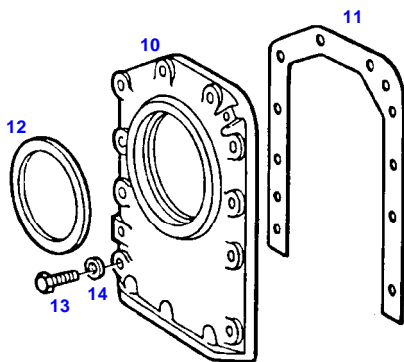
FAVORIT 509 (509/00101-99999)
8328



8328

| Item | Part Number | Qty | Description Comments | Technical Specification |
|------|-------------|-----|-----------------------------------|------------------------------|
| 1 | 72343896 | 1 | COVER | |
| 2 | 72376544 | 1 | O-RING | 42,2X3-NBR 70 FWN56402 |
| 3 | 72315650 | 2 | HEXAGONAL HEAD BOLT | DIN 933 M8 X 20-8.8A3L |
| 4 | 72317121 | 2 | SPRING WASHER | DIN 137 B8-MECH.VZK |
| 5 | 72342971 | 1 | CRANKCASE END COVER | |
| 6 | 72332982 | 1 | RADIAL SEALING RING | |
| 7 | 72326907 | 1 | HOUSING | |
| 8 | 72376514 | 1 | O-RING | 32X4-NBR 70 FWN56402 |
| 9 | 72326906 | 1 | THREADED PIN | |
| 10 | 72326904 | 1 | COVER PANEL | |
| 11 | 72372804 | 2 | NUT | DIN 934 M6-10 |
| 12 | 72315535 | 1 | HEXAGONAL HEAD BOLT | DIN 931 M8X75 GWA-10.9 |
| 13 | 72315660 | 1 | HEXAGONAL HEAD BOLT | DIN 933 M8X35-8.8A3L |
| 14 | 72374372 | 7 | HEXAGONAL HEAD BOLT | DIN 931 M8X45S-8.8 |
| 15 | 72315534 | 5 | HEXAGONAL HEAD BOLT | DIN 931 M8 X 70-8.8 |
| 16 | 72315053 | 13 | SPLIT WASHER | FWN 65208-8-A3L |
| 17 | 72321607 | 1 | PLUG | |
| 18 | 72342977 | 1 | EXTENSION TUBE | |
| 20 | 72376538 | 1 | O-RING | 40X4 |
| 28 | 72436284 | 1 | HOSE 1X 830MM CUT TO LENGTH | L=1120 FWN65912-19X3-PVC-W-G |
| 29 | 72311166 | 1 | HOSE CLIP | |
| 30 | 72407980 | 1 | COMPRESSION SPRING | |
| 35 | 72311273 | 1 | SEALING COMPOUND | TEROST-63S |

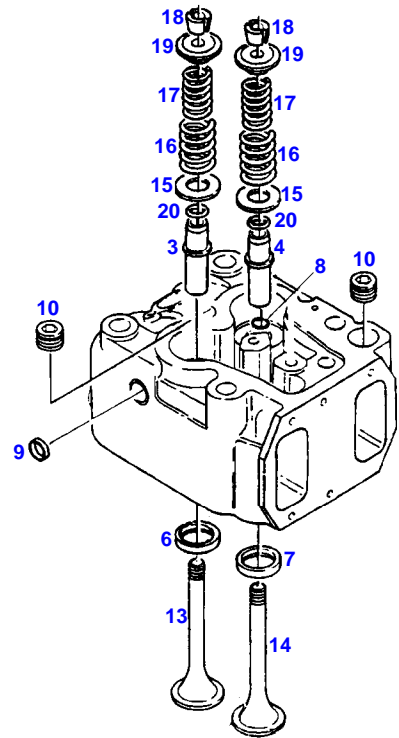
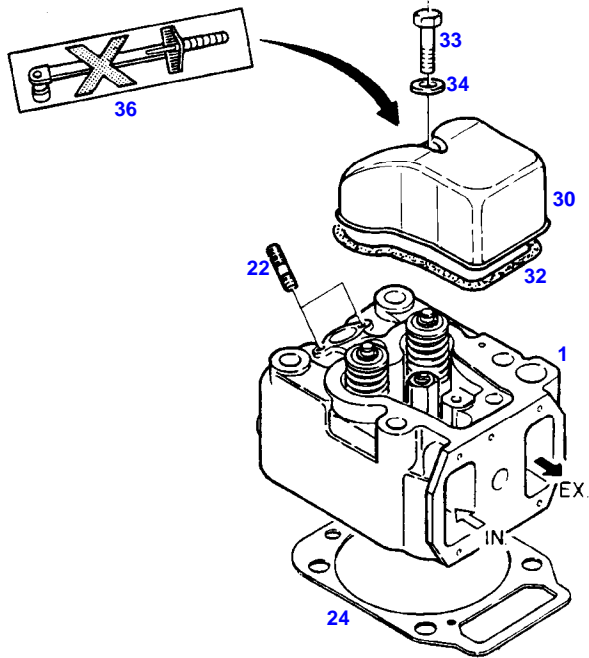
FAVORIT 509 (509/00101-99999)
8329



8329

| Item | Part Number | Qty | Description Comments | Technical Specification |
|------|-------------|-----|--------------------------------------|-------------------------|
| 1 | 72407273 | 1 | HOUSING | |
| 2 | 72315686 | 10 | HEXAGONAL HEAD BOLT | DIN 933-M10X35-12.9 |
| 3 | 72374073 | 4 | SOCKET HEAD BOLT ALTERNATIVELY | DIN 912 M12X45-12.9 |
| | 72374469 | 4 | HEXAGONAL HEAD BOLT ALTERNATIVELY | DIN 933-M12X45-12.9 |
| 5 | 72374189 | 2 | HEXAGONAL HEAD BOLT | DIN 931 M10X85-12.9 |
| 6 | 72325584 | 1 | RUBBER STRIP | |
| 7 | 72374220 | 4 | HEXAGONAL HEAD BOLT | DIN 931-M12X80-12.9 |
| 8 | 72314763 | 4 | LOCKING PLUG F211 | F211 |
| | 72375092 | 6 | LOCKING PLUG F12 | V14 |
| | 72375075 | 1 | LOCKING PLUG F3 | F3 |
| | 72314748 | 4 | LOCKING PLUG F11 | SW-F11 |
| 10 | 72330754 | 1 | CRANKCASE END COVER ><12 | |
| 11 | 72330755 | 1 | MOLDED SEAL | |
| 12 | 72376834 | 1 | SHAFT SEAL | 110X130X14,5 |
| 13 | 72315652 | 10 | HEXAGONAL HEAD BOLT | DIN 933 M8X25-8.8 |
| 14 | 72317121 | 10 | SPRING WASHER | DIN 137 B8-MECH.VZK |

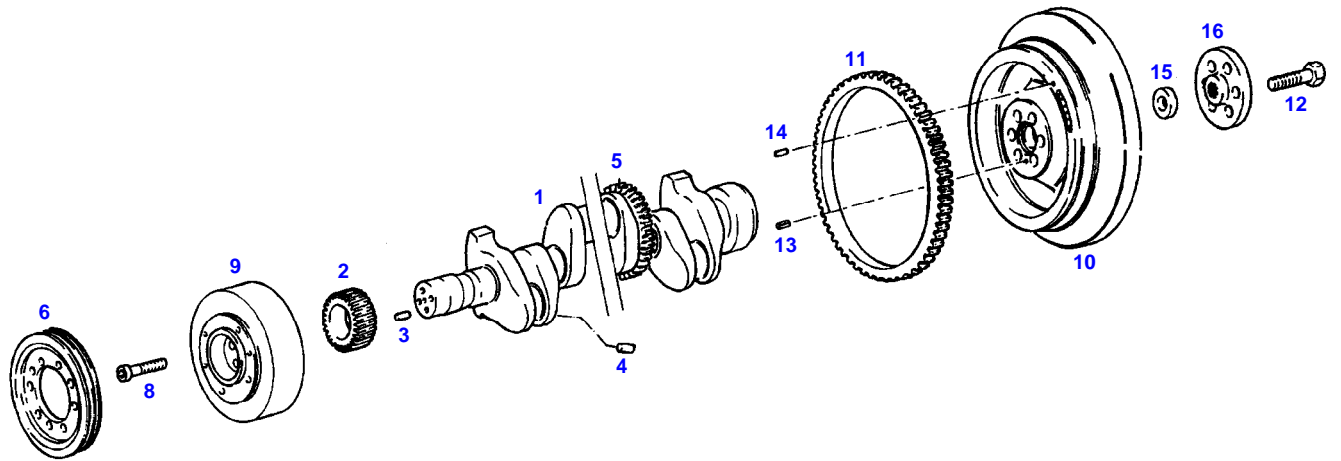
FAVORIT 509 (509/00101-99999)
10872



10872

| Item | Part Number | Qty | Description Comments | Technical Specification |
|------|-------------|-----|---------------------------|-------------------------|
| 1 | 72342974 | 4 | CYLINDER HEAD ><3-20 | |
| 3 | 72343644 | 4 | VALVE GUIDE INTAKE | |
| 4 | 72343645 | 4 | VALVE GUIDE OUTLET | |
| 6 | 72343650 | 4 | VALVE SEAT RING INTAKE | |
| 7 | 72343902 | 4 | VALVE SEAT RING OUTLET | |
| 8 | 72327100 | 8 | LOCKWASHER | |
| 9 | 72311455 | 12 | COVER | |
| 10 | 72373948 | 8 | PLUG SCREW | DIN 906 M22X1,5-ST |
| 13 | 72343651 | 4 | POPPET | |
| 14 | 72343905 | 4 | POPPET | |
| 15 | 72340915 | 8 | DISC | |
| 16 | 72340913 | 8 | VALVE SPRING | |
| 17 | 72340914 | 8 | VALVE SPRING | |
| 18 | 72327092 | 16 | TAPER PIECE HALF | |
| 19 | 72327093 | 8 | SPRING RETAINER | |
| 20 | 72343647 | 8 | SEAL | |
| 22 | 72374627 | 8 | STUD BOLT | DIN 939 M8X40-8.8 |
| 24 | 72343992 | 4 | CYLINDER HEAD GASKET | |
| | 72431774 | 1 | REPAIR KIT | |
| 30 | 72343906 | 4 | CYLINDER HEAD COVER | |
| 32 | 72343908 | 4 | MOLDED SEAL | |
| 33 | 72315659 | 4 | HEXAGONAL HEAD BOLT | DIN 933 M8X35-8.8 |
| 34 | 72315087 | 4 | SEALING WASHER | DIN 7603 A8X14-CU |
| 36 | 72342973 | 4 | LABEL | |

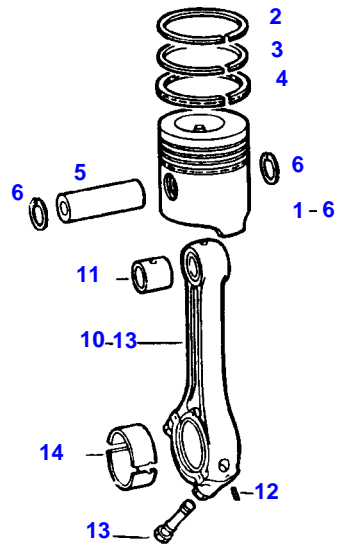
FAVORIT 509 (509/00101-99999)
8812



8812

| Item | Part Number | Qty | Description Comments | Technical Specification |
|------|-------------|-----|-------------------------|-------------------------|
| 1 | 72342940 | 1 | CRANKSHAFT ><2-5 | |
| 2 | 72341105 | 1 | SPUR GEAR | |
| 3 | 72313801 | 1 | TENSIONING PIN | ISO8752-4X14-A-ST |
| 4 | 72337059 | 4 | PLUG | |
| 5 | 72329220 | 1 | RING GEAR | |
| 6 | | | SEE V-BELT | |
| 8 | 72374113 | 4 | SOCKET HEAD BOLT | DIN 912 M16X50-10.9 |
| 9 | 72332454 | 1 | HUB | |
| 10 | 72344803 | 1 | FLYWHEEL ><11,14 | |
| 11 | 72330772 | 1 | RING GEAR | |
| 12 | 72315736 | 6 | HEXAGONAL HEAD BOLT | DIN 933 M16X50 GWA-10.9 |
| 13 | 72375149 | 1 | TENSIONING PIN | ISO8752-6X10-A-ST |
| 14 | 72344730 | 1 | PIN | |
| 15 | 72341111 | 1 | FLANGE BUSHING | |
| 16 | 72410758 | 1 | COUPLING FLANGE | |

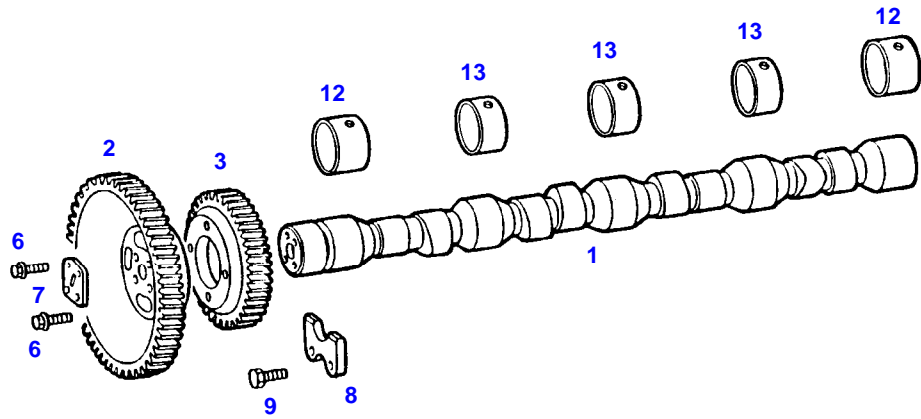
FAVORIT 509 (509/00101-99999)
3119



3119

| Item | Part Number | Qty | Description Comments | Technical Specification |
|------|-------------|-----|------------------------------------|--------------------------------|
| 1 | 72333026 | 4 | PISTON ><2-6 | |
| 2 | 72333027 | 4 | PISTON RING KIT ><2-4 | |
| 3 | | | NOT AVAILABLE IN SINGLE PARTS | |
| 4 | | | NOT AVAILABLE IN SINGLE PARTS | |
| 5 | | | NOT AVAILABLE IN SINGLE PARTS | |
| 6 | 72332584 | 8 | LOCKWASHER | |
| 10 | 72343926 | 4 | PISTON ROD ><11-13 | |
| 11 | 72341118 | 4 | SMALL-END BUSH | |
| 12 | 72313802 | 4 | TENSIONING PIN | ISO8752-4X16-A-ST-ZNPHR10F-KOE |
| 13 | 72327143 | 8 | CONNECTING ROD BOLT | |
| 14 | 72341119 | 4 | CONNECTING ROD BEARING 63,00 MM | |
| | 72341120 | 4 | CONNECTING ROD BEARING 62,75 MM | |
| | 72341121 | 4 | CONNECTING ROD BEARING 62,50 MM | |
| | 72341122 | 4 | CONNECTING ROD BEARING 62,25 MM | |
| | 72341123 | 4 | CONNECTING ROD BEARING 62,00 MM | |

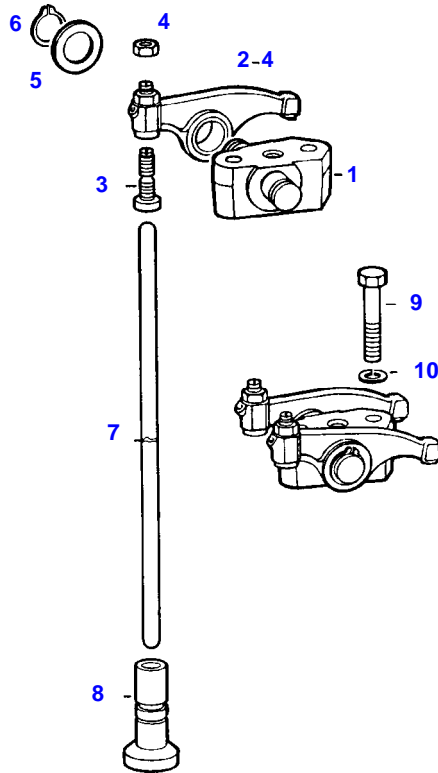
FAVORIT 509 (509/00101-99999)
4893



4893

| Item | Part Number | Qty | Description Comments | Technical Specification |
|------|-------------|-----|-------------------------|-------------------------|
| 1 | 72416321 | 1 | CAMSHAFT | |
| 2 | 72343928 | 1 | SPUR GEAR | |
| 3 | 72343929 | 1 | SPUR GEAR | |
| 6 | 72375063 | 8 | LOCK SCREW | FWN 64993 M8X22-12.9 |
| 7 | 72331325 | 1 | PROFILED FLANGE | |
| 8 | 72343930 | 1 | SEGMENT | |
| 9 | 72375061 | 2 | LOCK SCREW | W151.12 M8X16-90 |
| 12 | 72332989 | 2 | BUSH REPAIR STEP | |
| 13 | 72332990 | 3 | BUSH REPAIR STEP | |

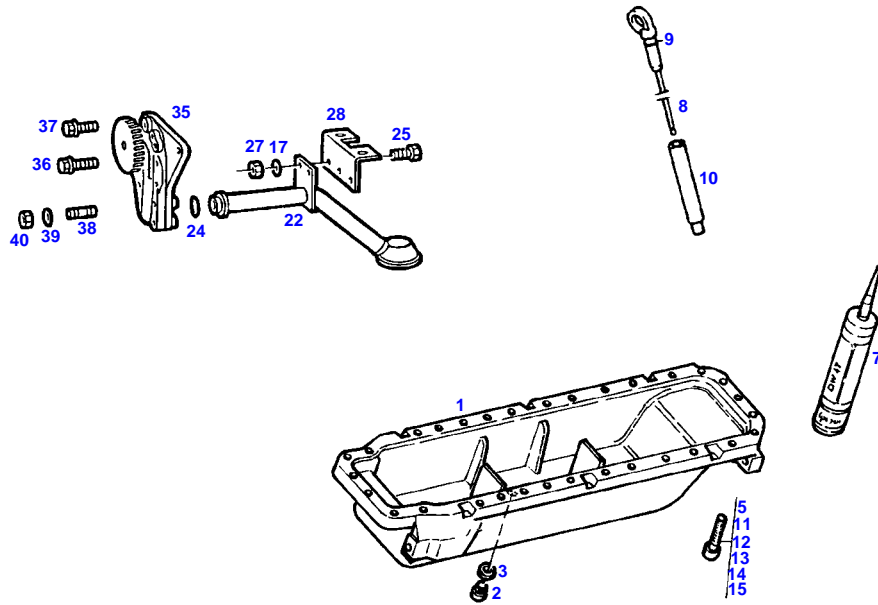
FAVORIT 509 (509/00101-99999)
3121



3121

| Item | Part Number | Qty | Description Comments | Technical Specification |
|------|-------------|-----|-------------------------------------|-------------------------|
| 1 | 72343933 | 4 | ROCKER ARM SUPPORT | |
| 2 | 72343934 | 8 | ROCKER ARM ><3+4 | |
| 3 | 72343935 | 8 | ADJUSTING SCREW | |
| 4 | 72343936 | 8 | NUT | |
| 5 | 72321237 | 16 | DISC | |
| 6 | 72375559 | 8 | LOCK WASHER | DIN 471-16X1 |
| 7 | 72330785 | 8 | BUMPER | |
| 8 | 72343937 | 8 | MUSHROOM TAPPET | |
| | 72423816 | 8 | MUSHROOM TAPPET OVERSIZE 19,5 MM | |
| 9 | 72315691 | 8 | HEXAGONAL HEAD BOLT | DIN 933 M10X40-8.8A3L |
| 10 | 72315054 | 8 | SPLIT WASHER | FWN 65208-10-A3L |

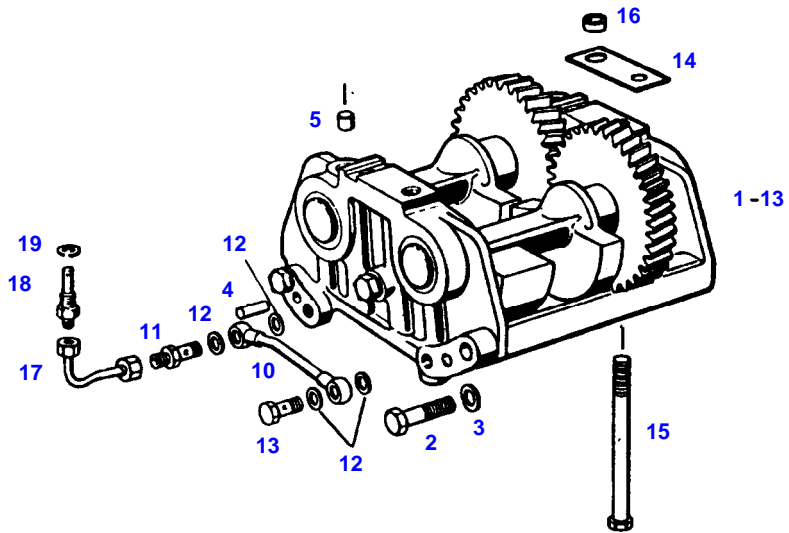
FAVORIT 509 (509/00101-99999)
8771



8771

| Item | Part Number | Qty | Description Comments | Technical Specification |
|------|-------------|-----|-------------------------|-------------------------|
| 1 | 72344596 | 1 | OIL PAN ><2,3 | |
| 2 | 72373963 | 1 | HEX CAP SCREW | DIN 908-G1/2A-ST |
| 3 | 72332580 | 1 | SEALING WASHER | |
| 5 | 72374041 | 3 | SOCKET HEAD BOLT | DIN 912-M8X170-10.9 |
| 7 | 72311273 | 1 | SEALING COMPOUND | TEROST-63S |
| 8 | 72344732 | 1 | DIPSTICK | |
| 9 | 72376384 | 1 | O-RING | 7,3X2,4 |
| 10 | 72329118 | 1 | PIPE | |
| 11 | 72374024 | 7 | SOCKET HEAD BOLT | DIN 912-M8X45-10.9 |
| 12 | 72315484 | 18 | SOCKET HEAD BOLT | DIN 912 M8X65-10.9A3L |
| 13 | 72374032 | 2 | SOCKET HEAD BOLT | DIN 912 M8X100-10.9 |
| 14 | 72374038 | 3 | SOCKET HEAD BOLT | DIN 912 M8X140-10.9 |
| 15 | 72374073 | 4 | SOCKET HEAD BOLT | DIN 912 M12X45-12.9 |
| 17 | 72315053 | 2 | SPLIT WASHER | FWN 65208-8-A3L |
| 22 | 72332528 | 1 | LUBE OIL SUCTION LINE | |
| 24 | 72376462 | 1 | O-RING | 20X4-FPM 70 FWN56402 |
| 25 | 72315642 | 2 | HEXAGONAL HEAD BOLT | DIN 933 M8 X 16-8.8A3L |
| 27 | 72372805 | 2 | NUT | DIN 934 M8-10 C2A |
| 28 | 72330779 | 1 | GUSSET PLATE | |
| 35 | 72332187 | 1 | OIL GEAR PUMP | |
| 36 | 72375067 | 1 | LOCK SCREW | FWN 64993 M8X35-90 |
| 37 | 72375063 | 1 | LOCK SCREW | FWN 64993 M8X22-12.9 |
| 38 | 72374623 | 1 | STUD BOLT | DIN 939-M8X25-8.8 |
| 39 | 72340920 | 1 | DISC | |
| 40 | 72340921 | 1 | MIDGRIP NUT | |

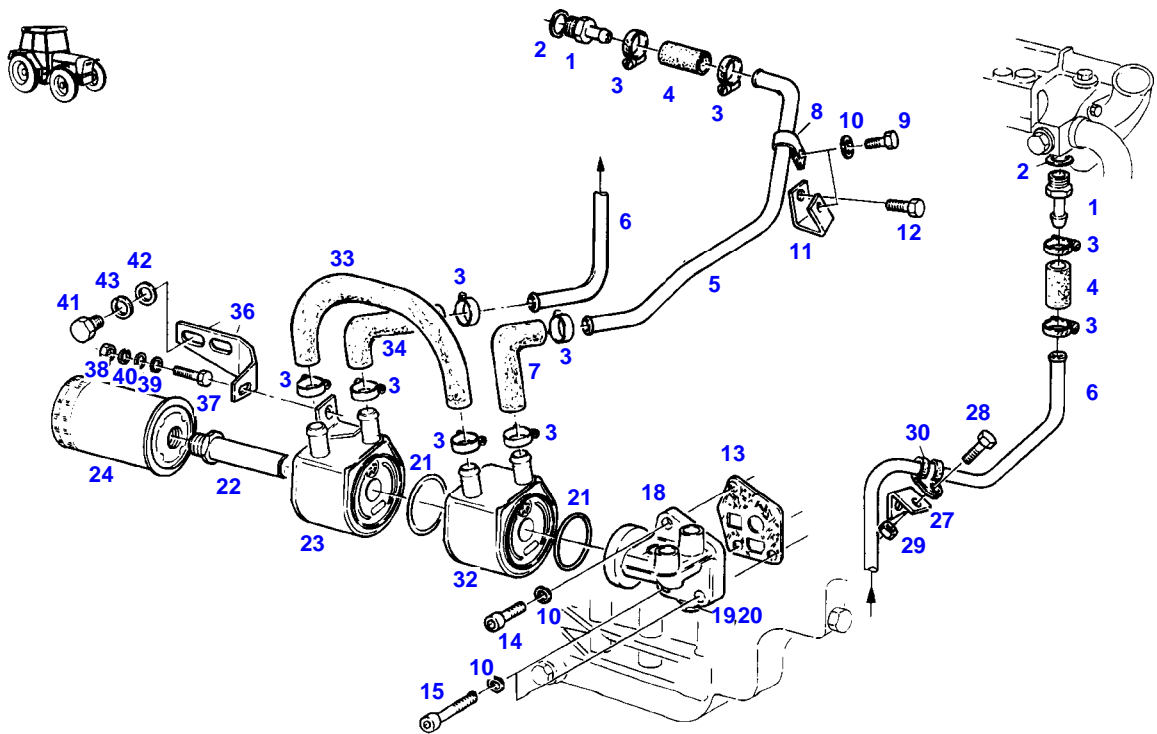
FAVORIT 509 (509/00101-99999)
5260



5260

| Item | Part Number | Qty | Description Comments | Technical Specification |
|------|-------------|-----|----------------------------|-------------------------|
| 1 | 72318354 | 1 | COUNTERBALANCING ><2-13 | |
| 2 | 72374177 | 3 | HEXAGONAL HEAD BOLT | DIN 931 M10X45-8.8 |
| 3 | 72315054 | 3 | SPLIT WASHER | FWN 65208-10-A3L |
| 4 | 72372613 | 2 | TAPER PIN | DIN 258-8X55-ST50K |
| 5 | 72325101 | 4 | PLUG | |
| 10 | 72329212 | 1 | LUBRICANT PRESSURE LINE | |
| 11 | 72329213 | 1 | SCREW PIECE | |
| 12 | 72315088 | 4 | SEALING WASHER | DIN 7603 A10X13,5-CU |
| 13 | 72315806 | 1 | BANJO BOLT | DIN 7643-6-3-A3L |
| 14 | 72329210 | X | SHIM | |
| 15 | 72374198 | 4 | HEXAGONAL HEAD BOLT | DIN 931 M10X105-8.8 |
| 16 | 72332521 | 2 | LOCATING SLEEVE | |
| 17 | 72329225 | 1 | OIL PRESSURE LINE | |
| 18 | 72329224 | 1 | SCREW PIECE | |
| 19 | 72315098 | 1 | SEALING WASHER | DIN 7603 A16X22-CU |

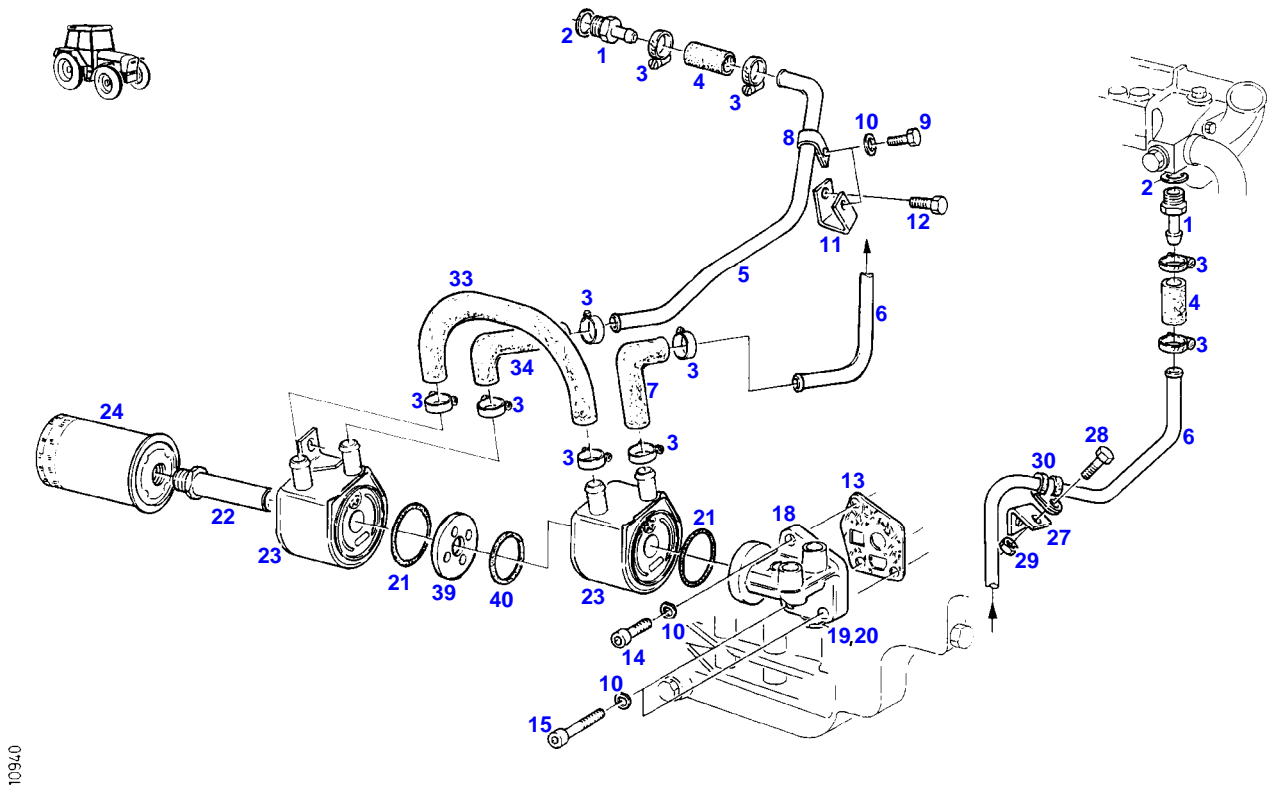
FAVORIT 509 (509/00101-99999)
7785



7785

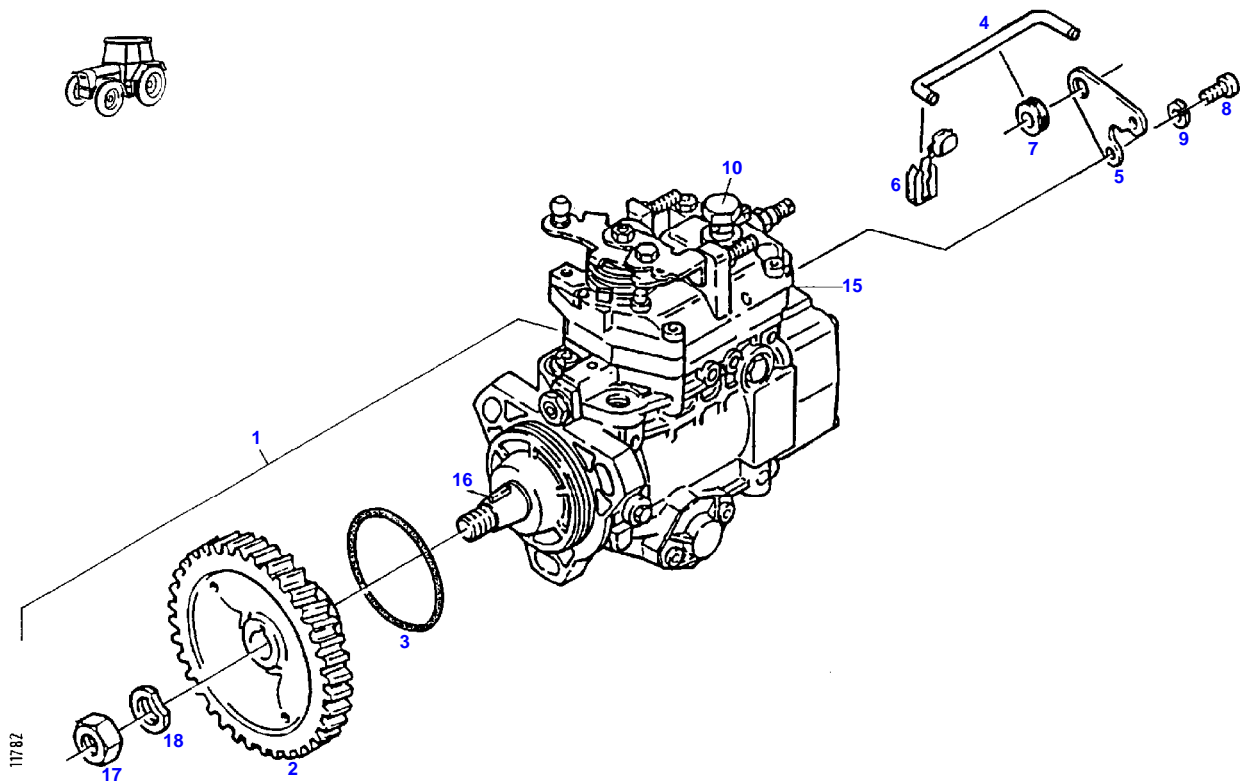
| Item | Part Number | Qty | Description Comments | Technical Specification |
|------|-------------|-----|--|----------------------------|
| | | | --> 509/3142 | |
| 1 | 72396595 | 2 | HOSE BARB | |
| 2 | 72315101 | 2 | SEALING WASHER | DIN 7603 A22X27-CU |
| 3 | 72311167 | 10 | HOSE CLIP | |
| 4 | 72396335 | 2 | HOSE PIECE | |
| 5 | 72397336 | 1 | COOLANT LINE | |
| 6 | 72397337 | 1 | COOLANT LINE | |
| 7 | 72435869 | 1 | RUBBER ARCH | |
| 8 | 72386726 | 1 | PIPE CLAMP | |
| 9 | 72315675 | 1 | HEXAGONAL HEAD BOLT | DIN 933 M10X16-8.8A3L |
| 10 | 72317122 | 4 | SPRING WASHER | DIN 137 B10-MECH.VZK |
| 11 | 72397289 | 1 | RETAINER | |
| 12 | 72315704 | 1 | HEXAGONAL HEAD BOLT | DIN 933 M12X16-8.8A3L |
| 13 | 72327148 | 1 | MOLDED SEAL | |
| 14 | 72315494 | 1 | SOCKET HEAD BOLT | DIN 912 M10X30-8.8 |
| 15 | 72315498 | 2 | SOCKET HEAD BOLT | DIN 912 M10X40-8.8 OB1-SW |
| 18 | 72325601 | 1 | FILTER HEAD ><18-20 <-- G510.201.900.100 | |
| 19 | 72325606 | 1 | VALVE | |
| 20 | 72376031 | 1 | SEALING WASHER | DIN 7603 A20X24-CU |
| 21 | 72396334 | 2 | O-RING | |
| 22 | 72395943 | 1 | SCREW PIECE | |
| 23 | 72348618 | 1 | OIL COOLER SET (2 PIECE) <> | |
| | 72327148 | 1 | MOLDED SEAL | |
| 24 | 72334900 | 1 | OIL FILTER | |
| 27 | 72397338 | 1 | ANGLE | |
| 28 | 72315626 | 1 | HEXAGONAL HEAD BOLT | DIN 933-M6 X 16-8.8-A3L |
| 29 | 72313266 | 1 | NUT | DIN 934 M6-8A3L |
| 30 | 72311247 | 1 | PIPE CLAMP | |
| 32 | | | FOR REPLACEMENT USE POS. 23 | |
| 33 | 72395902 | 1 | HOSE ARCH | |
| 34 | 72395942 | 1 | HOSE ARCH | |
| 36 | 72395940 | 1 | RETAINER | |
| 37 | 72315642 | 1 | HEXAGONAL HEAD BOLT | DIN 933 M8 X 16-8.8A3L |
| 38 | 72313268 | 1 | NUT | DIN 934 M8-8A3L |
| 39 | 72311788 | 2 | DISC | DIN 125-8,4-ST.A3L |
| 40 | 72317121 | 1 | SPRING WASHER | DIN 137 B8-MECH.VZK |
| 41 | 72315721 | 1 | HEXAGONAL HEAD BOLT | DIN 933 M14X25-8.8A3L |
| 42 | 72311805 | 1 | DISC | DIN 433-15-ST.A3L |
| 43 | 72375406 | 1 | SPRING WASHER | DIN 137 B14-MECH.VZK GE.CR |

FAVORIT 509 (509/00101-99999)
10940



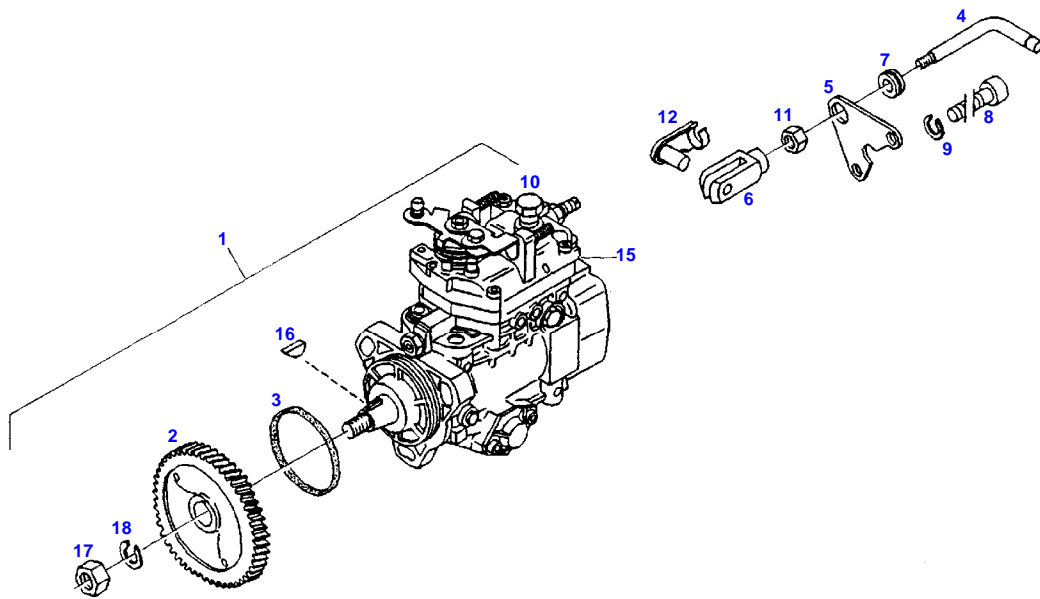
| Item | Part Number | Qty | Description Comments | Technical Specification |
|------|-------------|-----|--|---------------------------|
| | | | <-- 509/3143 | |
| 1 | 72396595 | 2 | HOSE BARB | |
| 2 | 72315101 | 2 | SEALING WASHER | DIN 7603 A22X27-CU |
| 3 | 72311167 | 10 | HOSE CLIP | |
| 4 | 72396335 | 2 | HOSE PIECE | |
| 5 | 72397336 | 1 | COOLANT LINE | |
| 6 | 72397337 | 1 | COOLANT LINE | |
| 7 | 72435869 | 1 | RUBBER ARCH | |
| 8 | 72386726 | 1 | PIPE CLAMP | |
| 9 | 72315675 | 1 | HEXAGONAL HEAD BOLT | DIN 933 M10X16-8.8A3L |
| 10 | 72317122 | 4 | SPRING WASHER | DIN 137 B10-MECH.VZK |
| 11 | 72397289 | 1 | RETAINER | |
| 12 | 72315704 | 1 | HEXAGONAL HEAD BOLT | DIN 933 M12X16-8.8A3L |
| 13 | 72327148 | 1 | MOLDED SEAL | |
| 14 | 72315494 | 1 | SOCKET HEAD BOLT | DIN 912 M10X30-8.8 |
| 15 | 72315498 | 2 | SOCKET HEAD BOLT | DIN 912 M10X40-8.8 OB1-SW |
| 18 | 72350565 | 1 | FILTER HEAD ><18-20 | |
| 19 | 72325606 | 1 | VALVE | |
| 20 | 72376031 | 1 | SEALING WASHER | DIN 7603 A20X24-CU |
| 21 | 72410911 | 2 | SEALING RING | |
| 22 | 72410560 | 1 | SCREW PIECE | |
| 23 | 72350652 | 2 | OIL COOLER | |
| | 72315797 | 2 | PLUG SCREW | DIN 7604 AM10X1-ST A3L |
| | 72315088 | 2 | SEALING WASHER | DIN 7603 A10X13,5-CU |
| 24 | 72334900 | 1 | OIL FILTER | |
| 27 | 72397338 | 1 | ANGLE | |
| 28 | 72315626 | 1 | HEXAGONAL HEAD BOLT | DIN 933-M6 X 16-8.8-A3L |
| 29 | 72313266 | 1 | NUT | DIN 934 M6-8A3L |
| 30 | 72311247 | 1 | PIPE CLAMP | |
| 33 | 72395902 | 1 | HOSE ARCH | |
| 34 | 72395942 | 1 | HOSE ARCH | |
| 39 | 72410908 | 1 | INTERMEDIATE PLATE | |
| 40 | 72410912 | 1 | SEAL | |
| | 72395940 | 1 | RETAINER NOT ILLUSTRATED | |
| | 72315642 | 1 | HEXAGONAL HEAD BOLT NOT ILLUSTRATED | DIN 933 M8 X 16-8.8A3L |

FAVORIT 509 (509/00101-99999)
11782



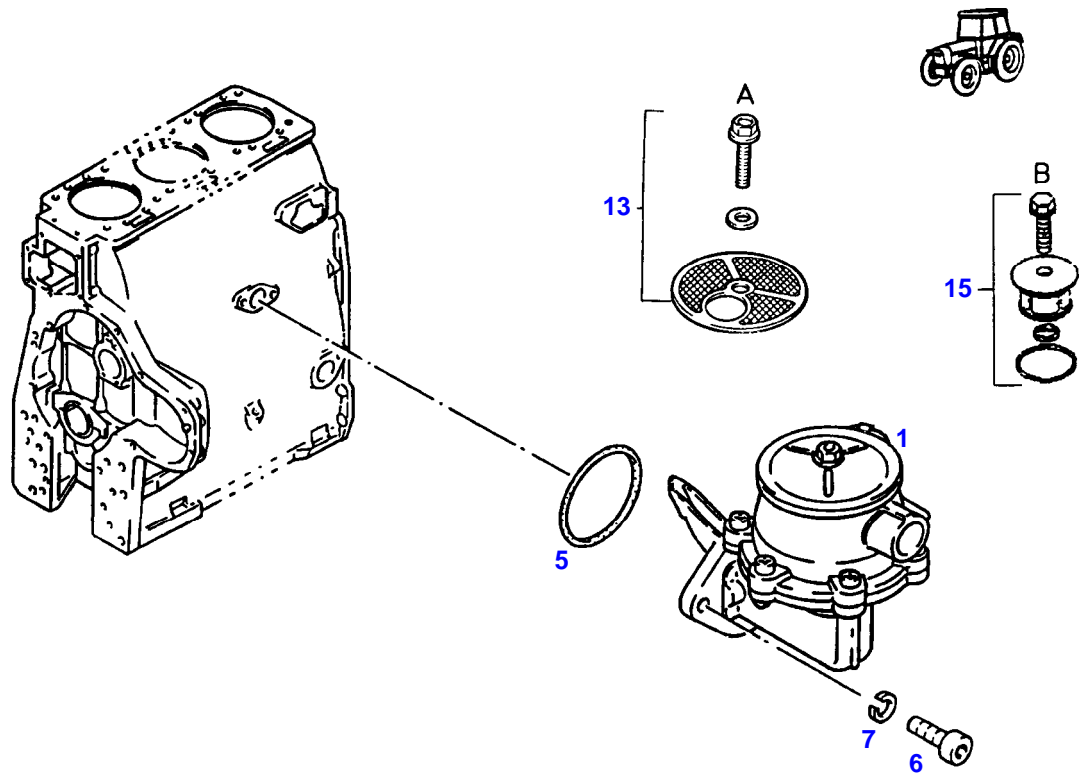
| Item | Part Number | Qty | Description Comments | Technical Specification |
|------|-------------|-----|--|-------------------------|
| | | | <-- 509/0101 --> 509/0400 <-- 509/1001 --> 509/3194 | |
| 1 | 72342924 | 1 | INJECTION PUMP >>10,15-18 | |
| 2 | 72342991 | 1 | SPUR GEAR | |
| 3 | 72342992 | 1 | O-RING | |
| 4 | 72410862 | 1 | ROD <> | |
| | 72311306 | 1 | CLEVIS | DIN 71752 G6X12-A3L |
| | 72310445 | 1 | BOLT | FWN 64072 6X12 A3L |
| | 72313266 | 1 | NUT | DIN 934 M6-8A3L |
| | 72410863 | 1 | RETAINING SHEET METAL | |
| 5 | 72410863 | 1 | RETAINING SHEET METAL <> | |
| | 72313266 | 1 | NUT | DIN 934 M6-8A3L |
| | 72310445 | 1 | BOLT | FWN 64072 6X12 A3L |
| | 72410862 | 1 | ROD | |
| | 72311306 | 1 | CLEVIS | DIN 71752 G6X12-A3L |
| 6 | 72342995 | 1 | LOCK SPRING | |
| 7 | 72316354 | 1 | CABLE BUSHING | 9X12X16 |
| 8 | 72374005 | 1 | SOCKET HEAD BOLT | DIN 912 M6X16-10.9 |
| 9 | 72315052 | 1 | SPLIT WASHER | FWN 65208-6-A3L |
| 10 | 72315350 | 1 | BANJO BOLT | |
| 15 | 72316840 | 1 | SOLENOID SWITCH | |
| 16 | 72416161 | 1 | FITTING KEY | |
| 17 | 72313281 | 1 | NUT | DIN 934 M14X1,5-8A3L |
| 18 | 72315056 | 1 | SPLIT WASHER | FWN 65208-14-A3L |

FAVORIT 509 (509/00101-99999)
12183



12183

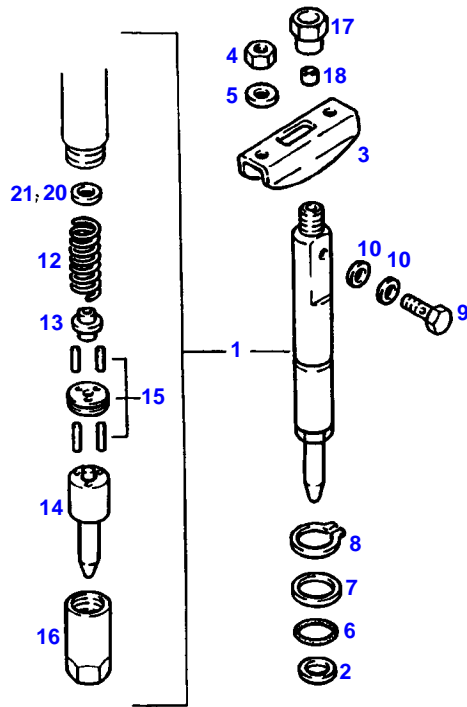
| Item | Part Number | Qty | Description Comments | Technical Specification |
|------|-------------|-----|------------------------------|-------------------------|
| | | | <-- 509/3195 | |
| 1 | 72342924 | 1 | INJECTION PUMP ><10,15-18 | |
| 2 | 72342991 | 1 | SPUR GEAR | |
| 3 | 72342992 | 1 | O-RING | |
| 4 | 72410862 | 1 | ROD | |
| 5 | 72410863 | 1 | RETAINING SHEET METAL | |
| 6 | 72311306 | 1 | CLEVIS | DIN 71752 G6X12-A3L |
| 7 | 72316354 | 1 | CABLE BUSHING | 9X12X16 |
| 8 | 72374005 | 1 | SOCKET HEAD BOLT | DIN 912 M6X16-10.9 |
| 9 | 72315052 | 1 | SPLIT WASHER | FWN 65208-6-A3L |
| 10 | 72315350 | 1 | BANJO BOLT | |
| 11 | 72372804 | 1 | NUT | DIN 934 M6-10 |
| 12 | 72310445 | 1 | BOLT | FWN 64072 6X12 A3L |
| 15 | 72316840 | 1 | SOLENOID SWITCH | |
| 16 | 72416161 | 1 | FITTING KEY | |
| 17 | 72313281 | 1 | NUT | DIN 934 M14X1,5-8A3L |
| 18 | 72315056 | 1 | SPLIT WASHER | FWN 65208-14-A3L |



10871

| Item | Part Number | Qty | Description Comments | Technical Specification |
|------|-------------|-----|-----------------------------------|-------------------------|
| 1 | 72342988 | 1 | FUEL PUMP | |
| 5 | 72342989 | 1 | SEAL | |
| 6 | 72374020 | 2 | SOCKET HEAD BOLT | DIN 912 M8X20-10.9 |
| 7 | 72315053 | 2 | SPLIT WASHER | FWN 65208-8-A3L |
| 13 | 72324495 | 1 | VERSION "A" REPAIR KIT IMSA | |
| 15 | 72333472 | 1 | VERSION "B" REPAIR KIT IMSA | |

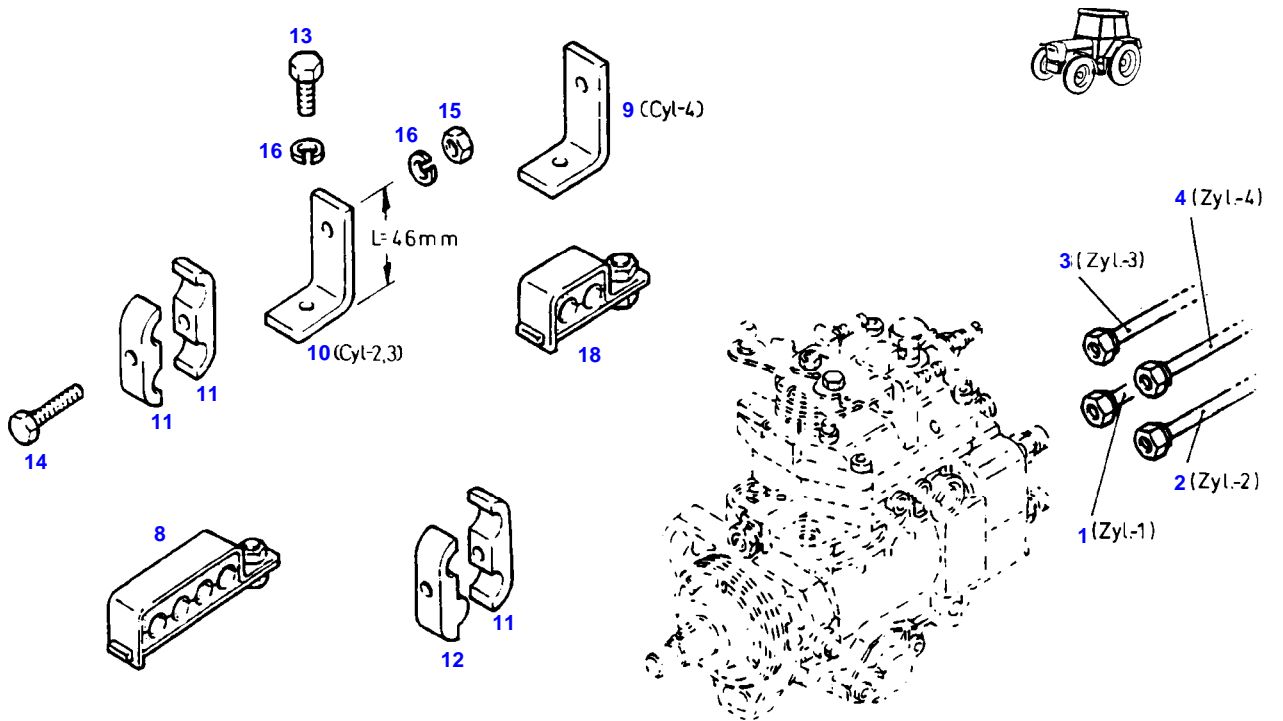
FAVORIT 509 (509/00101-99999)
8334



8334

| Item | Part Number | Qty | Description Comments | Technical Specification |
|------|-------------|-----|----------------------------------|-------------------------|
| 1 | 72342984 | 4 | NOZZLE HOLDER ><9-13,14,15-21 | |
| 2 | 72343954 | 4 | SEALING WASHER | |
| 3 | 72343953 | 4 | RETAINER BOW | |
| 4 | 72313268 | 4 | NUT | DIN 934 M8-8A3L |
| 5 | 72311788 | 8 | DISC | DIN 125-8,4-ST.A3L |
| 6 | 72343955 | 4 | SEAL | |
| 7 | 72343956 | 4 | DISC | |
| 8 | 72375564 | 4 | LOCK WASHER | DIN 471-21X1,2 |
| 9 | 72342985 | 4 | SCREW | |
| 10 | 72315084 | 8 | SEALING WASHER | DIN 7603 A6X10-CU |
| 12 | 72343950 | 4 | COMPRESSION SPRING | |
| 13 | 72343949 | 4 | PRESSURE BOLT | |
| 14 | 72342986 | 4 | NOZZLE | |
| 15 | 72343951 | 4 | SHIM DISC | |
| 16 | 72332998 | 4 | CONNECTING NUT | |
| 17 | 72343005 | 4 | CONNECTING NUT | |
| 18 | 72343006 | 4 | DISC | |
| 20 | 72311679 | X | DISC 1,00 MM | |
| | 72311680 | X | DISC 1,10 MM | |
| | 72311681 | X | DISC 1,20 MM | |
| | 72311682 | X | DISC 1,30 MM | |
| | 72311683 | X | DISC 1,40 MM | |
| | 72311684 | X | DISC 1,50 MM | |
| | 72311685 | X | DISC 1,60 MM | |
| | 72343964 | X | DISC 1,70 MM | |
| | 72311686 | X | DISC 1,80 MM | |
| 21 | 72311687 | X | DISC 1,90 MM | |

FAVORIT 509 (509/00101-99999)
10493



10493



Suggest:

For more complete manuals. Please go to the home page.

<https://www.ebooklibonline.com>

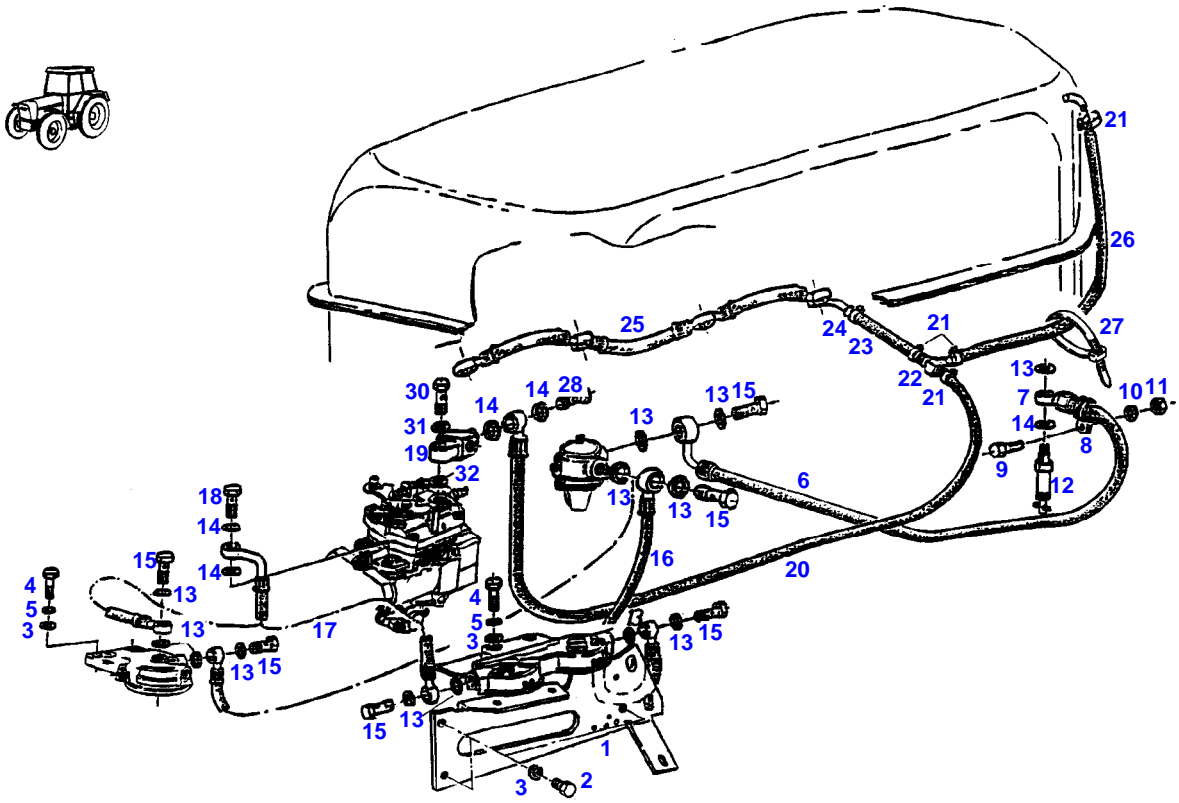
If the above button click is invalid. Please download this document first, and then click the above link to download the complete manual.

Thank you so much for reading

FUEL PRESSURE LINES

| Item | Part Number | Qty | Description Comments | Technical Specification |
|------|-------------|-----|-------------------------|-------------------------|
| 1 | 72344598 | 1 | FUEL LINE CYLINDER 1 | |
| 2 | 72344599 | 1 | FUEL LINE CYLINDER 2 | |
| 3 | 72344600 | 1 | FUEL LINE CYLINDER 3 | |
| 4 | 72344601 | 1 | FUEL LINE CYLINDER 4 | |
| 8 | 72333022 | 1 | PIPE CLAMP | |
| 9 | 72343976 | 1 | ANGLE HEIGHT = 60 MM | |
| 10 | 72343975 | 2 | ANGLE HEIGHT = 46 MM | |
| 11 | 72327982 | 4 | CLIP HALF | |
| 12 | 72327187 | 2 | CLIP HALF | |
| 13 | 72315629 | 3 | HEXAGONAL HEAD BOLT | DIN 933 M6 X 12-8.8A3L |
| 14 | 72315633 | 3 | HEXAGONAL HEAD BOLT | DIN 933 M6X25-8.8A3L |
| 15 | 72372804 | 3 | NUT | DIN 934 M6-10 |
| 16 | 72315052 | 6 | SPLIT WASHER | FWN 65208-6-A3L |
| 18 | 72343004 | 2 | PIPE CLAMP | |

FAVORIT 509 (509/00101-99999)
8524



<https://www.ebooklibonline.com>

Hello dear friend!

Thank you very much for reading.

Enter the link into your browser.

The full manual is available for immediate download.

<https://www.ebooklibonline.com>