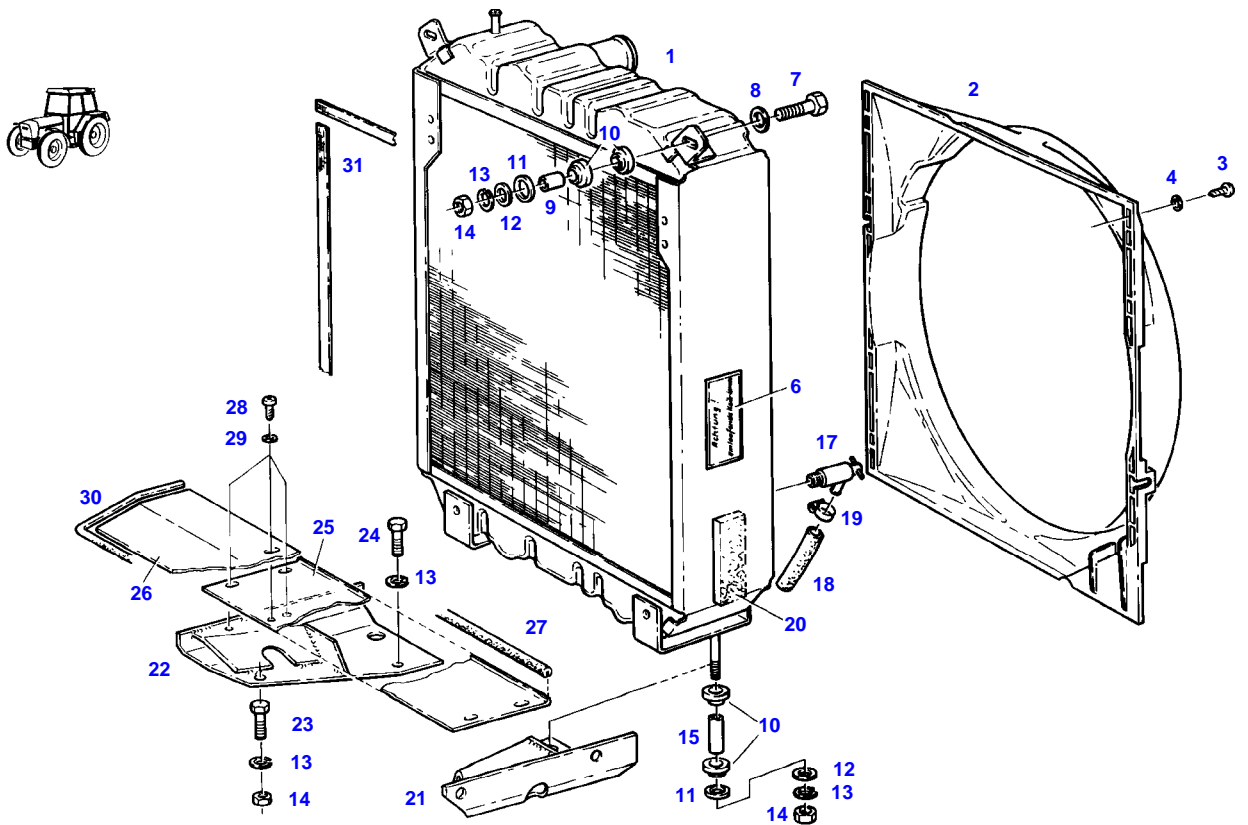


**TABLE OF CONTENT**

<b>Page Number</b>	<b>Page Title</b>	<b>Page Reference</b>
01-000-TOC	ENGINE, FUEL AND EXHAUST SYSTEM	01-000-TOC
02-000-TOC	AXLES	02-000-TOC
03-000-TOC	STEERING SYSTEM	03-000-TOC
04-000-TOC	DRIVE TRAIN SYSTEM	04-000-TOC
05-000-TOC	COMPRESSED AIR SYSTEM	05-000-TOC
06-000-TOC	HYDRAULIC SYSTEM	06-000-TOC
07-000-TOC	ELECTRICAL SYSTEM	07-000-TOC
08-000-TOC	CAB	08-000-TOC
09-000-TOC	AIR CONDITIONING AND HEATING SYSTEM	09-000-TOC
10-000-TOC	CHASSIS	10-000-TOC
11-000-TOC	WHEELS	11-000-TOC
12-000-TOC	IMPLEMENT LIFT SYSTEM FRONT	12-000-TOC
13-000-TOC	IMPLEMENT LIFT SYSTEM REAR	13-000-TOC
14-000-TOC	FRONT/REAR LOADERS	14-000-TOC
15-000-TOC	ACCESSORIES	15-000-TOC

FARMER 312 (199/03501-99999)  
4581



4581

Item	Part Number	Qty	Description Comments	Technical Specification
			--> 199/20000	
1	72348773	1	RADIATOR	
2	72396340	1	FAN COVER	
3	72315818	8	SCREW	DIN7976-ST4,2X25-C-A3L
4	72311817	8	DISC	DIN9021-4,3-140HV-A3L
6	72386100	2	WARNING SIGN D	
	72388085	2	WARNING SIGN GB	
	72388086	2	WARNING SIGN F	
	72388087	2	WARNING SIGN I	
	72388088	2	WARNING SIGN E	
7	72315663	2	HEXAGONAL HEAD BOLT	DIN 933 M8X40-8.8A3L
8	72311788	2	DISC	DIN 125-8,4-ST.A3L
9	72310718	2	BUSH	
10	72312479	8	UNIVERSAL SPOUT	
11	72311793	4	DISC	DIN 125-17-ST.A3L
12	72311824	4	DISC	DIN9021-8,4-140HV-A3L
13	72315053	8	SPLIT WASHER	FWN 65208-8-A3L
14	72313268	6	NUT	DIN 934 M8-8A3L
15	72396348	2	BUSH	
17	72378063	1	RELIEF VALVE	DIN71401-CM14X1,5KEG
18	72389310	1	HOSE	
19	72438345	1	HOSE CLIP	
20	72450582	1	SEALING STRIP 2X 120 MM CUT TO LENGTH	L=10M
21	72357349	1	BRACKET	
22	72357350	1	BRACKET	
23	72315665	2	HEXAGONAL HEAD BOLT	DIN 933 M8X45-8.8A3L
24	72315657	2	HEXAGONAL HEAD BOLT	DIN 933 M8 X 30-8.8A3L
25	72396346	1	COVER PLATE	
26	72396302	1	SPLASH PANEL	
27	72450971	1	SHAPED CORD 1X 510 MM CUT TO LENGTH	L=1000 FWN 63040 C02
28	72315820	6	SCREW	DIN7976-ST6,3X13-C-A3L
29	72311822	9	DISC	DIN9021-6,4-140HV-A3L
30	72450971	1	SHAPED CORD 1X 734 MM CUT TO LENGTH	L=1000 FWN 63040 C02
31	72450581	1	SEALING STRIP 2X 480 MM 2X 510 MM 1X 515 MM CUT TO LENGTH	L=20M

**<https://www.ebooklibonline.com>**

Hello dear friend!

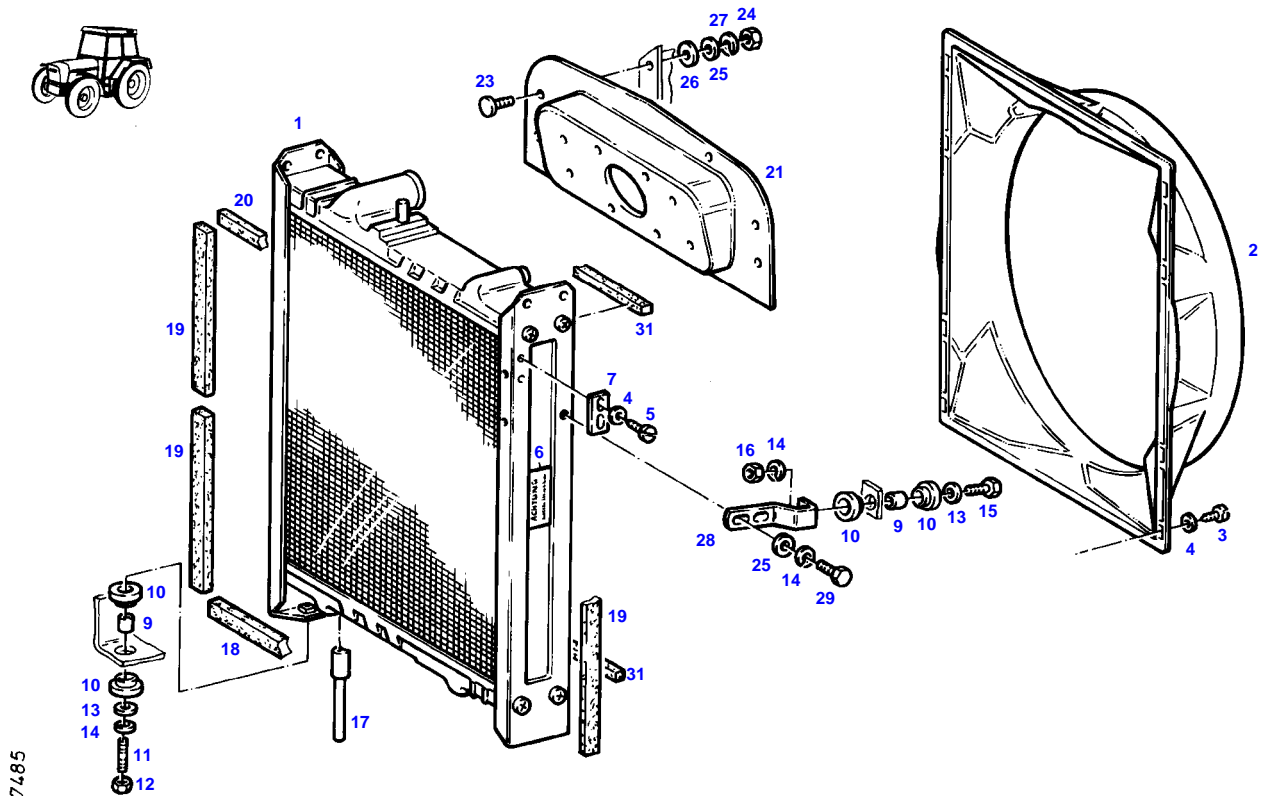
Thank you very much for reading.

Enter the link into your browser.

The full manual is available for immediate download.

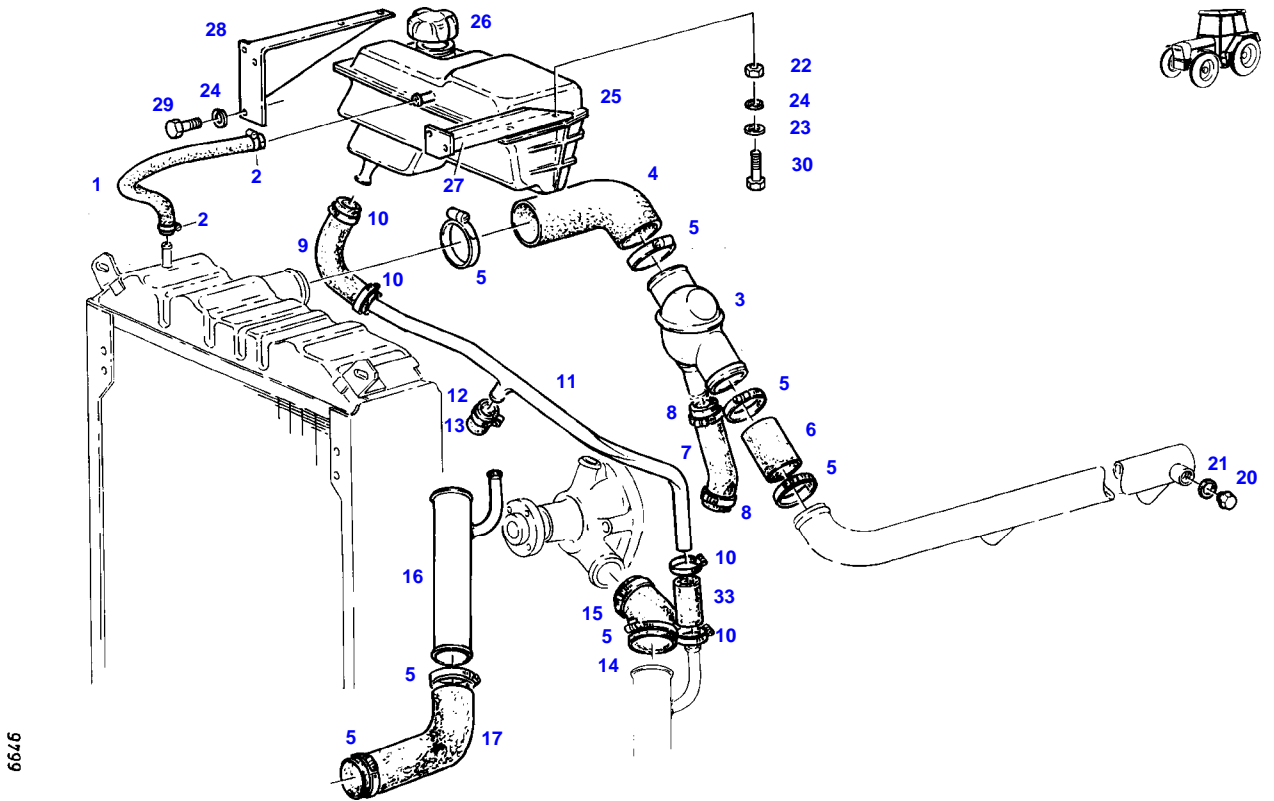
**<https://www.ebooklibonline.com>**

FARMER 312 (199/03501-99999)  
7485



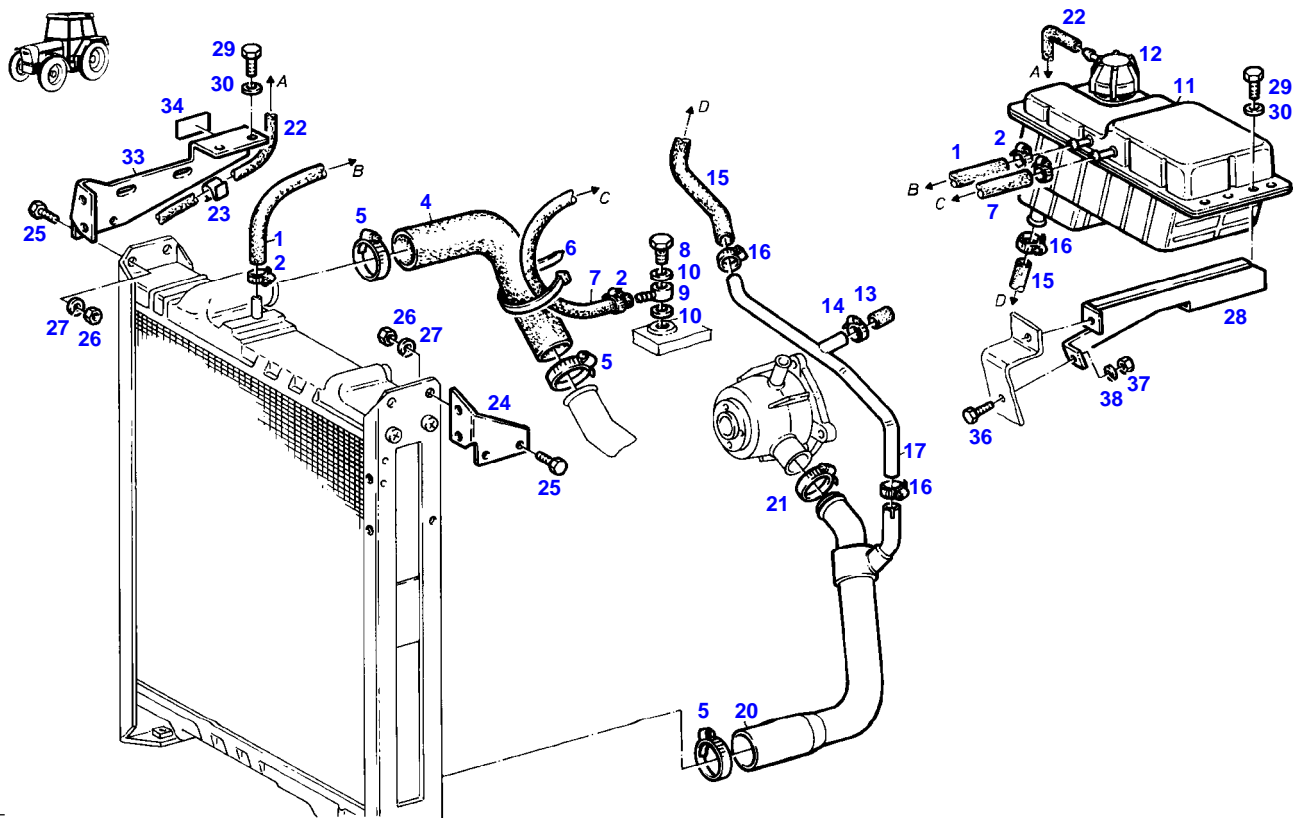
Item	Part Number	Qty	Description Comments	Technical Specification
			<-- 199/20001	
1	72348783	1	RADIATOR ><1	
	72436126	1	DRAIN PLUG	
2	72410558	1	FAN COVER	
3	72315818	8	SCREW	DIN7976-ST4,2X25-C-A3L
4	72311817	12	DISC	DIN9021-4,3-140HV-A3L
5	72374965	4	SCREW	DIN7976-ST4,2X9,5-C-A3L
6	72379109	1	MARKING PLATE	FWN66556-35X68-SCHUTZVORR.N.OE
7	72397311	1	ANGLE	
9	72310718	4	BUSH	
10	72312479	8	UNIVERSAL SPOUT	
11	72313772	2	STUD BOLT	DIN 939 M8X30-8.8
12	72313320	2	NUT	DIN6925-M8-8-A3L
13	72311824	4	DISC	DIN9021-8,4-140HV-A3L
14	72315053	4	SPLIT WASHER	FWN 65208-8-A3L
15	72315660	2	HEXAGONAL HEAD BOLT	DIN 933 M8X35-8.8A3L
16	72313268	2	NUT	DIN 934 M8-8A3L
17	72397310	1	DRAINAGE PIPING	
18	72310182	1	STRAP	
19	72397315	4	STRAP	
20	72397316	1	STRAP	
21	72397306	1	BARRIER WALL	
23	72373806	5	TRUSS HEAD SCREW	DIN 603 M6X16-A3L
24	72313266	5	NUT	DIN 934 M6-8A3L
25	72311787	7	DISC	DIN 125-6,4-ST.A3L
26	72311788	5	DISC	DIN 125-8,4-ST.A3L
27	72315052	5	SPLIT WASHER	FWN 65208-6-A3L
28	72397309	2	HOLDER	
29	72315642	4	HEXAGONAL HEAD BOLT	DIN 933 M8 X 16-8.8A3L
31	72450560	1	SEALING STRIP 2X 470MM CUT TO LENGTH	

FARMER 312 (199/03501-99999)  
6646



Item	Part Number	Qty	Description Comments	Technical Specification
			--> 199/20000	
1	72622024	1	PRESSURE HOSE 300 MM CUT TO LENGTH	L=0,50M 8X3,5-FWN65911
2	72438345	2	HOSE CLIP	
3	72456610	1	THERMOSTAT	
	72343978	1	THERMOSTAT 85 C	
4	72396343	1	RUBBER ARCH	
5	72311163	7	HOSE CLIP	
6	72450417	1	HOSE 60 MM CUT TO LENGTH	L=100 DIN73411-45X5 R
7	72397284	1	RUBBER ARCH	
8	72311167	2	HOSE CLIP	
9	72396345	1	RUBBER ARCH	
10	72311166	4	HOSE CLIP	
11	72357745	1	PIPE	
12	72311166	1	HOSE CLIP	
13	72404925	1	CAP	
14	72397283	1	RUBBER ARCH	
15	72311162	1	HOSE CLIP	
16	72357747	1	SUCTION LINE	
17	72396357	1	RUBBER ARCH	
20	72315802	1	SCREW	DIN 7604 AM22X1,5-ST
21	72315101	2	SEALING WASHER	DIN 7603 A22X27-CU
22	72313266	4	NUT	DIN 934 M6-8A3L
23	72311822	1	DISC	DIN9021-6,4-140HV-A3L
24	72315052	8	SPLIT WASHER	FWN 65208-6-A3L
25	72316897	1	EXPANSION TANK <>	
	72438345	1	HOSE CLIP	
	72409370	1	CAP	
26	72348672	1	COLLER LOCKING	
27	72396353	1	RETAINER	
28	72396355	1	RETAINER	
29	72315629	4	HEXAGONAL HEAD BOLT	DIN 933 M6 X 12-8.8A3L
30	72315820	4	SCREW	DIN7976-ST6,3X13-C-A3L
33	72450412	1	HOSE 1X 50MM CUT TO LENGTH	L=1000 18X3,5 R DIN 73411

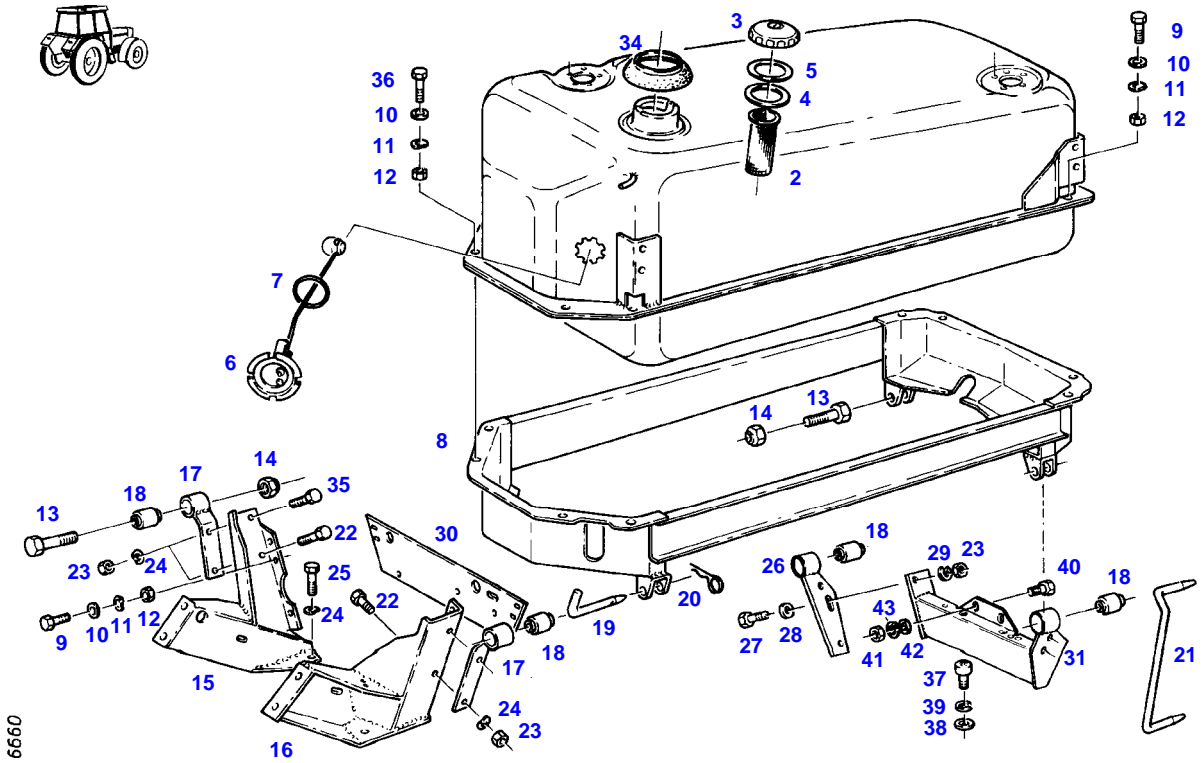
FARMER 312 (199/03501-99999)  
7486



7486

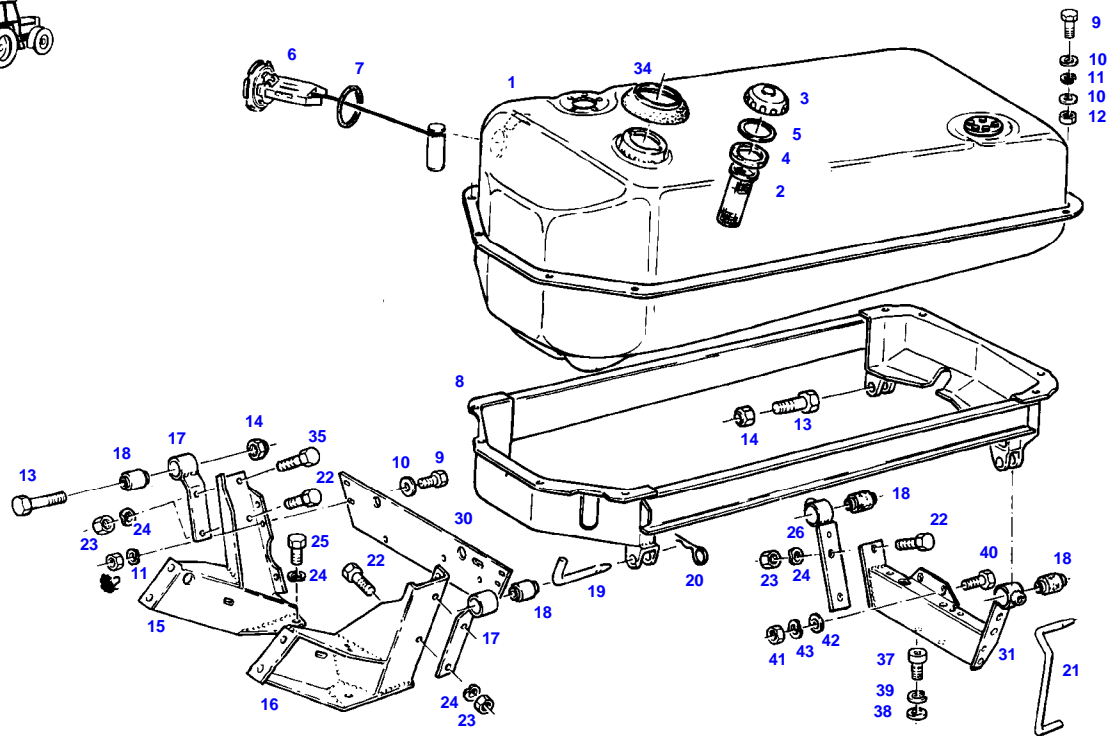
Item	Part Number	Qty	Description Comments	Technical Specification
			<-- 199/20001	
1	72622024	1	PRESSURE HOSE 220 MM CUT TO LENGTH	L=0,50M 8X3,5-FWN65911
2	72438345	4	HOSE CLIP	
4	72397313	1	RUBBER ARCH	
5	72311170	3	HOSE CLIP	
6	72316915	1	CABLE STRAP	FWN 66650 B290X4,8-SW
7	72450289	1	PRESSURE HOSE 540 MM CUT TO LENGTH	L=550 FWN 66041-M4
8	72315806	1	BANJO BOLT	DIN 7643-6-3-A3L
9	72377528	1	RING HOSE NIPPLE	FWN65910-A-DN4
10	72315088	2	SEALING WASHER	DIN 7603 A10X13,5-CU
11	72316897	1	EXPANSION TANK	
12	72310924	1	COLLER LOCKING	
13	72404925	1	CAP	
14	72311166	1	HOSE CLIP	
15	72435840	1	HOSE ARCH	
16	72311166	3	HOSE CLIP	
17	72357764	1	PIPE	
20	72397314	1	COOLANT LINE	
21	72311162	1	HOSE CLIP	
22	72442422	1	HOSE 1100 MM CUT TO LENGTH	L=1500MM
23	72312049	3	HOSE RETAINER	
24	72397308	1	RETAINER	
25	72315642	2	HEXAGONAL HEAD BOLT	DIN 933 M8 X 16-8.8A3L
26	72313268	6	NUT	DIN 934 M8-8A3L
27	72315053	6	SPLIT WASHER	FWN 65208-8-A3L
28	72397312	1	BRACKET	
29	72315821	4	SCREW	DIN7976-ST6,3X19-C-A3L
30	72311822	4	DISC	DIN9021-6,4-140HV-A3L
33	72423219	1	RETAINER	
34	72397318	1	MARKING PLATE	
36	72315629	1	HEXAGONAL HEAD BOLT	DIN 933 M6 X 12-8.8A3L
37	72313266	1	NUT	DIN 934 M6-8A3L
38	72315052	1	SPLIT WASHER	FWN 65208-6-A3L

FARMER 312 (199/03501-99999)  
6660



Item	Part Number	Qty	Description Comments	Technical Specification
			--> 199/20000	
1	72357751	1	FUEL TANK <>	
	72315619	10	HEXAGONAL HEAD BOLT	DIN 933 M5X16-8.8A3L
	72409022	2	FLANGE	
	72376132	2	SEALING WASHER	
	72376017	10	SEALING WASHER	DIN 7603-A5X7,5-CU
2	72433112	1	STRAINER	60X100-MS
3	72380143	1	FUEL CAP KOEHLER >>4	M.BELUEF
	72348297	1	FUEL CAP LOCKABLE BLAU >>4+5	
4	72330725	1	SEAL BLAU	
	72312304	1	RUBBER SEAL KOEHLER	
5	72330726	1	SEAL	
6	72613427	1	FUEL LEVEL SENSOR >>7	
7	72315169	1	SEALING WASHER	
8	72357719	1	TANK FRAME	
9	72315626	10	HEXAGONAL HEAD BOLT	DIN 933-M6 X 16-8.8-A3L
10	72311822	20	DISC	DIN9021-6,4-140HV-A3L
11	72317120	10	SPRING WASHER	DIN 137 B6-MECH.VZK
12	72313266	10	NUT	DIN 934 M6-8A3L
13	72315719	2	HEXAGONAL HEAD BOLT	DIN 933 M12X60-8.8A3L
14	72313325	2	NUT	DIN 980-VM12-8-A3L
15	72355440	1	BRACKET	
16	72355441	1	BRACKET	
17	72357100	2	BEARING	
18	72310644	4	RUBBER BUSHING	
19	72404932	2	BEARING PIN	
20	72311183	2	HAIR COTTER PIN	DIN 11024-4-A3L
21	72404936	1	BEARING PIN	
22	72315653	3	HEXAGONAL HEAD BOLT	DIN 933 M8 X 25-8.8A3L
23	72313268	6	NUT	DIN 934 M8-8A3L
24	72317121	10	SPRING WASHER	DIN 137 B8-MECH.VZK
25	72315642	6	HEXAGONAL HEAD BOLT	DIN 933 M8 X 16-8.8A3L
26	72357749	1	SUPPORT ARM	
27	72315660	2	HEXAGONAL HEAD BOLT	DIN 933 M8X35-8.8A3L
28	72311824	2	DISC	DIN9021-8,4-140HV-A3L
29	72315053	2	SPLIT WASHER	FWN 65208-8-A3L
30	72395911	1	SHEET METAL	
31	72357748	1	CROSSMEMBER	
34	72397269	1	SLEEVE	
35	72315657	1	HEXAGONAL HEAD BOLT	DIN 933 M8 X 30-8.8A3L
36	72315631	2	HEXAGONAL HEAD BOLT	DIN 933 M6 X 20-8.8A3L
37	72374066	2	SOCKET HEAD BOLT	DIN 912 M12X20-8.8
38	72311804	2	DISC	DIN 433-13-ST.A3L
39	72375473	2	SPLIT WASHER	FWN65237-12-A3L
40	72315689	2	HEXAGONAL HEAD BOLT	DIN 933 M10X35-8.8A3L
41	72313272	2	NUT	DIN 934 M10-8A3L
42	72311789	2	DISC	DIN 125-10,5-ST.A3L
43	72317122	2	SPRING WASHER	DIN 137 B10-MECH.VZK

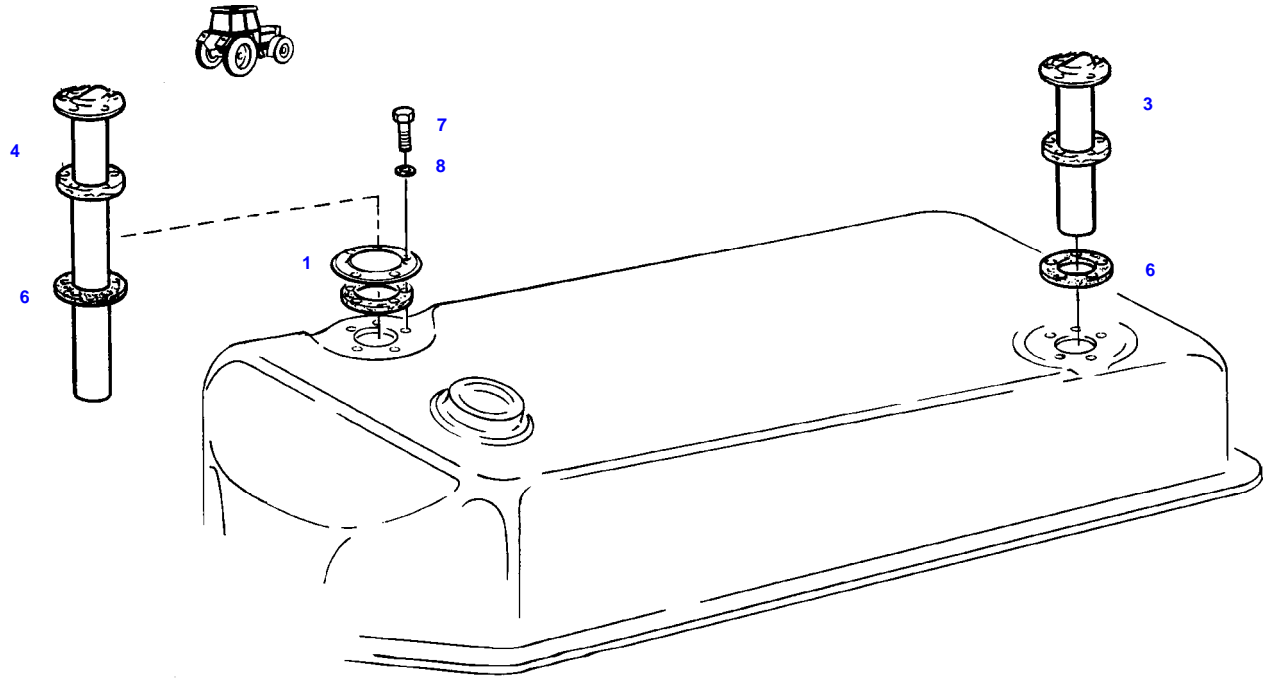
FARMER 312 (199/03501-99999)  
7754



7754

Item	Part Number	Qty	Description Comments	Technical Specification
			<-- 199/20001	
1	72357751	1	FUEL TANK <>	
	72376132	2	SEALING WASHER	
	72315619	10	HEXAGONAL HEAD BOLT	DIN 933 M5X16-8.8A3L
	72376017	10	SEALING WASHER	DIN 7603-A5X7,5-CU
	72409022	2	FLANGE	
2	72433112	1	STRAINER	60X100-MS
3	72380143	1	FUEL CAP KOEHLER >>4	M.BELUEF
	72348297	1	FUEL CAP LOCKABLE BLAU >>4+5	
4	72330725	1	SEAL BLAU	
	72312304	1	RUBBER SEAL KOEHLER	
5	72330726	1	SEAL	
6	72613427	1	FUEL LEVEL SENSOR >>7	
7	72315169	1	SEALING WASHER	
8	72357767	1	TANK FRAME	
9	72315626	13	HEXAGONAL HEAD BOLT	DIN 933-M6 X 16-8.8-A3L
10	72311822	20	DISC	DIN9021-6,4-140HV-A3L
11	72317120	13	SPRING WASHER	DIN 137 B6-MECH.VZK
12	72313266	13	NUT	DIN 934 M6-8A3L
13	72315719	2	HEXAGONAL HEAD BOLT	DIN 933 M12X60-8.8A3L
14	72313325	2	NUT	DIN 980-VM12-8-A3L
15	72355440	1	BRACKET	
16	72355441	1	BRACKET	
17	72357100	2	BEARING	
18	72310644	4	RUBBER BUSHING	
19	72407288	2	BEARING PIN	
20	72311183	2	HAIR COTTER PIN	DIN 11024-4-A3L
21	72393681	1	BEARING PIN	
22	72315653	5	HEXAGONAL HEAD BOLT	DIN 933 M8 X 25-8.8A3L
23	72313268	4	NUT	DIN 934 M8-8A3L
24	72317121	10	SPRING WASHER	DIN 137 B8-MECH.VZK
25	72315642	6	HEXAGONAL HEAD BOLT	DIN 933 M8 X 16-8.8A3L
26	72357768	1	SUPPORT ARM	
30	72397321	1	SHEET METAL	
31	72357771	1	CROSSMEMBER	
34	72397269	1	SLEEVE	
35	72315657	1	HEXAGONAL HEAD BOLT	DIN 933 M8 X 30-8.8A3L
37	72374066	2	SOCKET HEAD BOLT	DIN 912 M12X20-8.8
38	72311804	2	DISC	DIN 433-13-ST.A3L
39	72375473	2	SPLIT WASHER	FWN65237-12-A3L
40	72315689	2	HEXAGONAL HEAD BOLT	DIN 933 M10X35-8.8A3L
41	72313272	2	NUT	DIN 934 M10-8A3L
42	72311789	2	DISC	DIN 125-10,5-ST.A3L
43	72317122	2	SPRING WASHER	DIN 137 B10-MECH.VZK

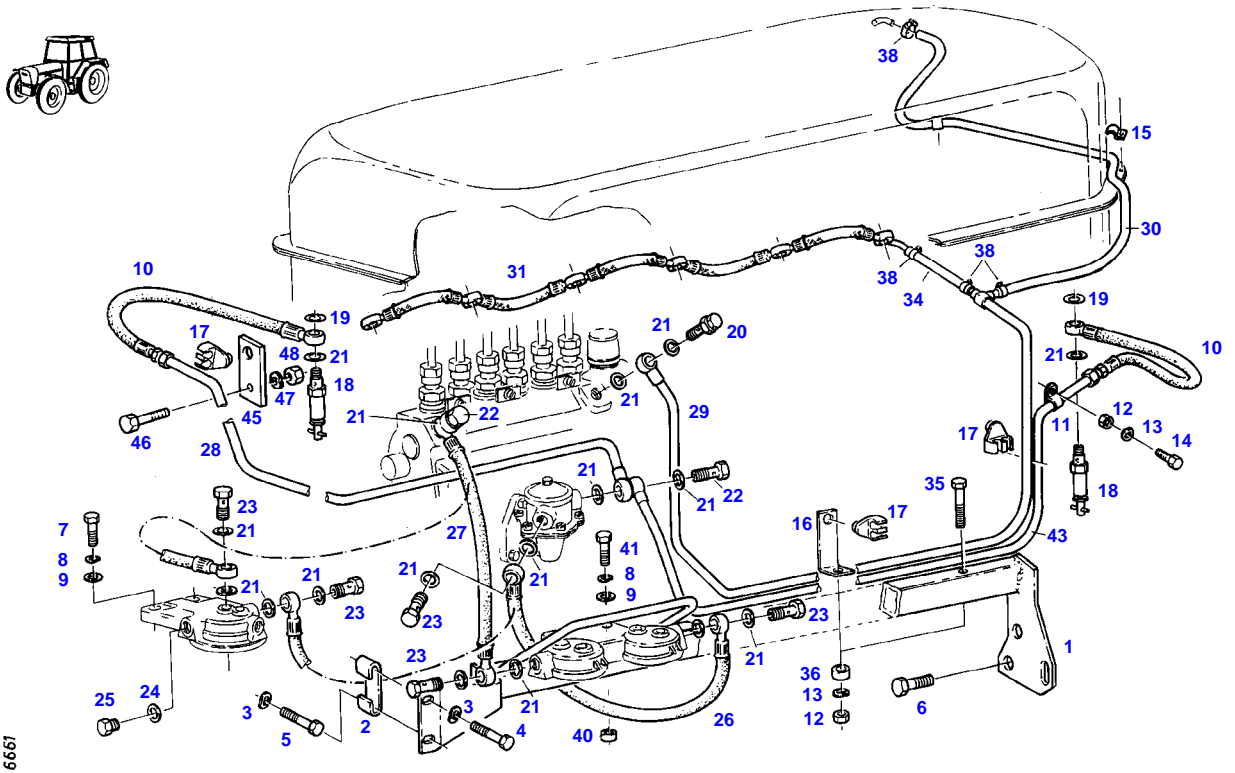
FARMER 312 (199/03501-99999)  
6662



6662

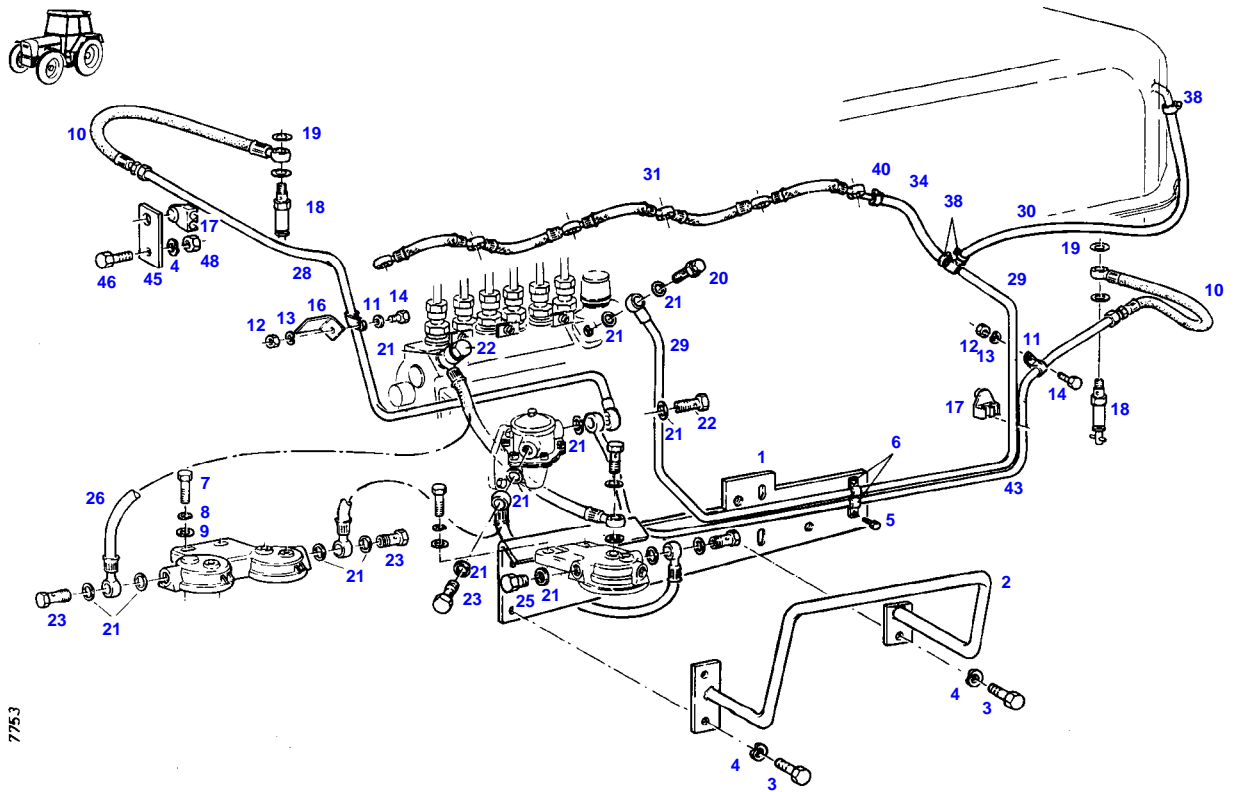
Item	Part Number	Qty	Description Comments	Technical Specification
			--> 199/20000	
1	72409022	2	FLANGE	
3	72380155	1	FUEL LEVEL SENSOR BOARD COMPUTER	
4	72380154	1	FUEL LEVEL SENSOR BOARD COMPUTER	
6	72376132	2	SEALING WASHER	
7	72315619	10	HEXAGONAL HEAD BOLT	DIN 933 M5X16-8.8A3L
8	72376017	10	SEALING WASHER	DIN 7603-A5X7,5-CU

FARMER 312 (199/03501-99999)  
6661

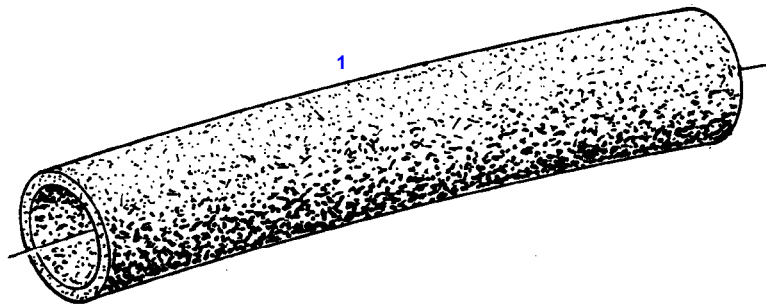


Item	Part Number	Qty	Description Comments	Technical Specification
			--> 199/20000	
1	72357314	1	RETAINER	
2	72399913	1	HOLDER	
3	72317122	2	SPRING WASHER	DIN 137 B10-MECH.VZK
4	72315689	1	HEXAGONAL HEAD BOLT	DIN 933 M10X35-8.8A3L
5	72315691	1	HEXAGONAL HEAD BOLT	DIN 933 M10X40-8.8A3L
6	72374493	2	HEXAGONAL HEAD BOLT	DIN 933 M14X30-8.8
	72374490	2	HEXAGONAL HEAD BOLT	DIN 933 M14X20-8.8
7	72315657	2	HEXAGONAL HEAD BOLT	DIN 933 M8 X 30-8.8A3L
8	72317121	2	SPRING WASHER	DIN 137 B8-MECH.VZK
9	72311824	1	DISC	DIN9021-8,4-140HV-A3L
10	72357312	2	HOSE LINE	
11	72311241	1	PIPE CLAMP	
12	72313266	4	NUT	DIN 934 M6-8A3L
13	72317120	4	SPRING WASHER	DIN 137 B6-MECH.VZK
14	72315626	1	HEXAGONAL HEAD BOLT	DIN 933-M6 X 16-8.8-A3L
15	72398941	2	FASTENING COLLAR	
16	72397270	1	ANGLE	
17	72379246	3	CABLE CLIP	
18	72380159	2	FUEL SHUT-OFF VALVE	
19	72315093	2	SEALING WASHER	DIN 7603 A12X18-CU
20	72380268	1	BLEED AND DRAIN VALVE	
21	72315095	12	SEALING WASHER	DIN 7603 A14X20-CU
22	72310187	2	DOUBLE BOLT	
23	72315808	3	BANJO BOLT	DIN 7643-10-3-A3L
24	72315095	4	SEALING WASHER	DIN 7603 A14X20-CU
25	72315799	2	PLUG	DIN 7604 AM14X1,5-A3L
26	72356760	1	FUEL LINE	
27	72355537	1	FUEL LINE	
28	72357772	1	TUBING	
29	72357724	1	LEAKAGE OIL LINE	
30	72435830	1	PRESSURE HOSE 1100 MM CUT TO LENGTH	L=2100
31	72343884	1	LEAKAGE OIL LINE	
34	72450301	1	PRESSURE HOSE 350 MM CUT TO LENGTH	L=1000
35	72315639	1	HEXAGONAL HEAD BOLT	DIN 933 M6X50-8.8A3L
36	72392713	1	BUSH	
37	72311822	1	DISC	DIN9021-6,4-140HV-A3L
38	72438345	4	HOSE CLIP	
40	72311848	2	DISC	
41	72315660	2	HEXAGONAL HEAD BOLT	DIN 933 M8X35-8.8A3L
43	72357313	1	TUBING	
45	72397285	1	PLATE LINK	
46	72315660	1	HEXAGONAL HEAD BOLT	DIN 933 M8X35-8.8A3L
47	72317121	1	SPRING WASHER	DIN 137 B8-MECH.VZK
48	72313268	1	NUT	DIN 934 M8-8A3L

FARMER 312 (199/03501-99999)  
7753



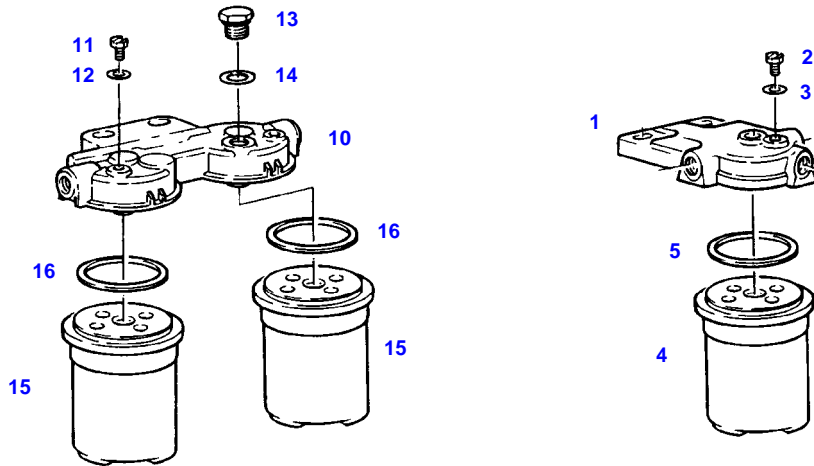
Item	Part Number	Qty	Description Comments	Technical Specification
			<-- 199/20001	
1	72357769	1	FILTER RETAINER	
2	72357782	1	PROTECTION BAR	
3	72315642	3	HEXAGONAL HEAD BOLT	DIN 933 M8 X 16-8.8A3L
4	72317121	3	SPRING WASHER	DIN 137 B8-MECH.VZK
5	72374968	2	SCREW	DIN7976-ST4,8X9,5-C-A3L
6	72373448	2	FASTENING COLLAR	DIN 72571-1X8-ST VZK
7	72315657	2	HEXAGONAL HEAD BOLT	DIN 933 M8 X 30-8.8A3L
8	72317121	2	SPRING WASHER	DIN 137 B8-MECH.VZK
9	72311824	2	DISC	DIN9021-8,4-140HV-A3L
10	72357312	2	HOSE LINE	
11	72311241	2	PIPE CLAMP	
12	72313266	2	NUT	DIN 934 M6-8A3L
13	72317120	2	SPRING WASHER	DIN 137 B6-MECH.VZK
14	72315626	2	HEXAGONAL HEAD BOLT	DIN 933-M6 X 16-8.8-A3L
16	72310597	1	MOUNTING ANGLE	
17	72379246	2	CABLE CLIP	
18	72380159	2	FUEL SHUT-OFF VALVE	
19	72315093	2	SEALING WASHER	DIN 7603 A12X18-CU
20	72380268	1	BLEED AND DRAIN VALVE	
21	72315095	18	SEALING WASHER	DIN 7603 A14X20-CU
22	72310187	2	DOUBLE BOLT	
23	72315808	3	BANJO BOLT	DIN 7643-10-3-A3L
25	72315799	2	PLUG	DIN 7604 AM14X1,5-A3L
26	72356760	2	FUEL LINE	
28	72357772	1	TUBING	
29	72357724	1	LEAKAGE OIL LINE	
30	72450301	1	PRESSURE HOSE 630 MM CUT TO LENGTH	L=1000
31	72343884	1	LEAKAGE OIL LINE	
34	72450301	1	PRESSURE HOSE 350 MM CUT TO LENGTH	L=1000
38	72438345	3	HOSE CLIP	
40	72438345	1	HOSE CLIP	
43	72357313	1	TUBING	
45	72397285	1	PLATE LINK	
46	72315660	1	HEXAGONAL HEAD BOLT	DIN 933 M8X35-8.8A3L
48	72313268	1	NUT	DIN 934 M8-8A3L



8555

Item	Part Number	Qty	Description Comments	Technical Specification
			<b>RAPE SEED OIL METHYLATED ESTER</b>	
1	72436293	1	HEAT SHRINK TUBING 1X 2500 MM CUT TO LENGTH	L=2600
	72436294	X	HEAT SHRINK TUBING 1X 3000 MM CUT TO LENGTH	L=3100
	72436295	1	HEAT SHRINK TUBING 1X 2000 MM CUT TO LENGTH	L=2100

FARMER 312 (199/03501-99999)  
4952



4952



**Suggest:**

**For more complete manuals. Please go to the home page.**

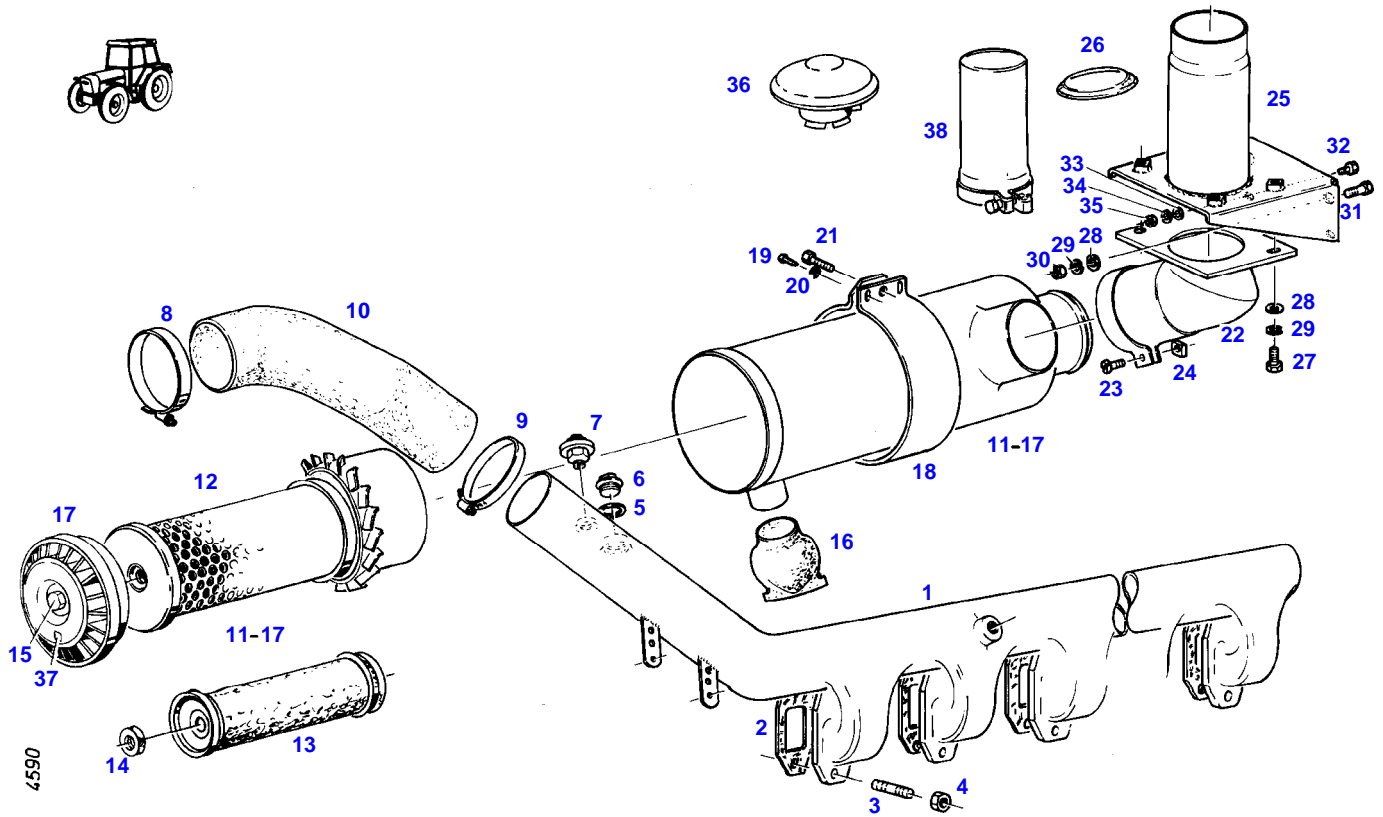
**<https://www.ebooklibonline.com>**

**If the above button click is invalid. Please download this document first, and then click the above link to download the complete manual.**

**Thank you so much for reading**

Item	Part Number	Qty	Description Comments	Technical Specification
1	72615599	1	FILTER LID ><2,3	
2	72323290	1	BLEED SCREW	
3	72315084	1	SEALING WASHER	DIN 7603 A6X10-CU
4	72416928	1	FILTER BOX ><5	
5	72314995	1	RUBBER RING PARALLEL-FILTER	
10	72380173	1	PARALLEL FILTER BOSCH ><11-16 <-- X810.190.166.000 1X <>	
	72416928	2	FILTER BOX	
	72451307	1	COVER KNECHT ><11,12 <>	PARALLELFILT.
	72416928	2	FILTER BOX	
11	72323290	2	BLEED SCREW BOSCH	
	72314699	2	BLEED SCREW KNECHT	
12	72315084	2	SEALING WASHER BOSCH	DIN 7603 A6X10-CU
	72315086	2	SEALING WASHER KNECHT	DIN 7603 A8X11,5-CU
13	72326250	1	SCREW BOSCH	
14	72315095	1	SEALING WASHER BOSCH	DIN 7603 A14X20-CU
15	72416928	2	FILTER BOX ><16	
16	72314995	2	RUBBER RING	

FARMER 312 (199/03501-99999)  
4590



**<https://www.ebooklibonline.com>**

Hello dear friend!

Thank you very much for reading.

Enter the link into your browser.

The full manual is available for immediate download.

**<https://www.ebooklibonline.com>**