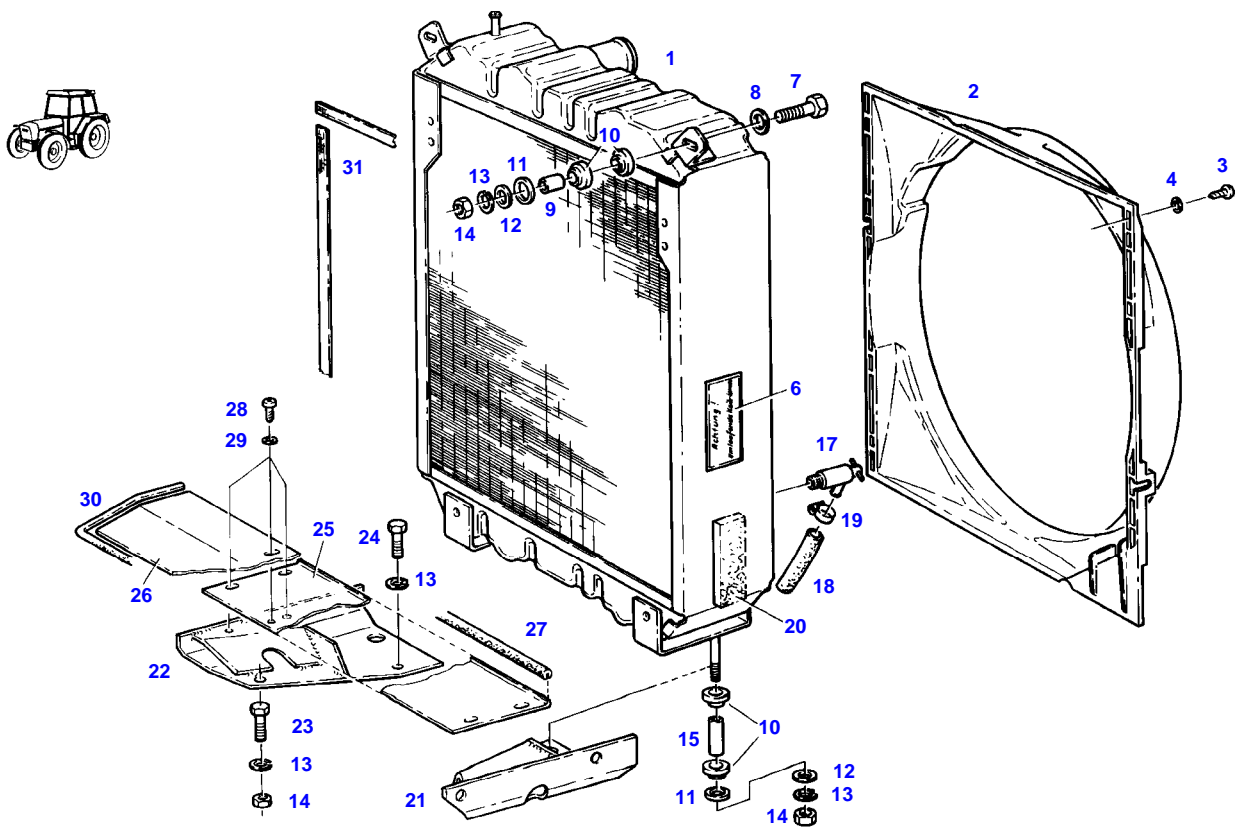


Page Number	Page Title	Page Reference
01-000-TOC	ENGINE, FUEL AND EXHAUST SYSTEM	01-000-TOC
02-000-TOC	AXLES	02-000-TOC
03-000-TOC	STEERING SYSTEM	03-000-TOC
04-000-TOC	DRIVE TRAIN SYSTEM	04-000-TOC
05-000-TOC	COMPRESSED AIR SYSTEM	05-000-TOC
06-000-TOC	HYDRAULIC SYSTEM	06-000-TOC
07-000-TOC	ELECTRICAL SYSTEM	07-000-TOC
08-000-TOC	CAB	08-000-TOC
09-000-TOC	AIR CONDITIONING AND HEATING SYSTEM	09-000-TOC
10-000-TOC	CHASSIS	10-000-TOC
11-000-TOC	WHEELS	11-000-TOC
12-000-TOC	IMPLEMENT LIFT SYSTEM FRONT	12-000-TOC
13-000-TOC	IMPLEMENT LIFT SYSTEM REAR	13-000-TOC
14-000-TOC	FRONT/REAR LOADERS	14-000-TOC
15-000-TOC	ACCESSORIES	15-000-TOC

FARMER 312 (199/00001-03500)
4581



Item	Part Number	Qty	Description Comments	Technical Specification
1	72348773	1	RADIATOR	
2	72396340	1	FAN COVER	
3	72315818	8	SCREW	DIN7976-ST4,2X25-C-A3L
4	72311817	8	DISC	DIN9021-4,3-140HV-A3L
6	72386100	2	WARNING SIGN D	
	72388085	2	WARNING SIGN GB	
	72388086	2	WARNING SIGN F	
	72388087	2	WARNING SIGN I	
	72388088	2	WARNING SIGN E	
7	72315663	2	HEXAGONAL HEAD BOLT	DIN 933 M8X40-8.8A3L
8	72311788	2	DISC	DIN 125-8,4-ST.A3L
9	72310718	2	BUSH	
10	72312479	8	UNIVERSAL SPOUT	
11	72311793	4	DISC	DIN 125-17-ST.A3L
12	72311824	4	DISC	DIN9021-8,4-140HV-A3L
13	72315053	8	SPLIT WASHER	FWN 65208-8-A3L
14	72313268	6	NUT	DIN 934 M8-8A3L
15	72396348	2	BUSH	
17	72378063	1	RELIEF VALVE	DIN71401-CM14X1,5KEG
18	72389310	1	HOSE	
19	72438345	1	HOSE CLIP	
20	72450582	1	SEALING STRIP 2X 120 MM CUT TO LENGTH	L=10M
21	72357349	1	BRACKET	
22	72357350	1	BRACKET	
23	72315665	2	HEXAGONAL HEAD BOLT	DIN 933 M8X45-8.8A3L
24	72315657	2	HEXAGONAL HEAD BOLT	DIN 933 M8 X 30-8.8A3L
25	72396346	1	COVER PLATE	
26	72396302	1	SPLASH PANEL	
27	72450971	1	SHAPED CORD 1X 510 MM CUT TO LENGTH	L=1000 FWN 63040 C02
28	72315820	6	SCREW	DIN7976-ST6,3X13-C-A3L
29	72311822	9	DISC	DIN9021-6,4-140HV-A3L
30	72450971	1	SHAPED CORD 1X 734 MM CUT TO LENGTH	L=1000 FWN 63040 C02
31	72450581	1	SEALING STRIP 2X 480 MM 2X 510 MM 1X 515 MM CUT TO LENGTH	L=20M

<https://www.ebooklibonline.com>

Hello dear friend!

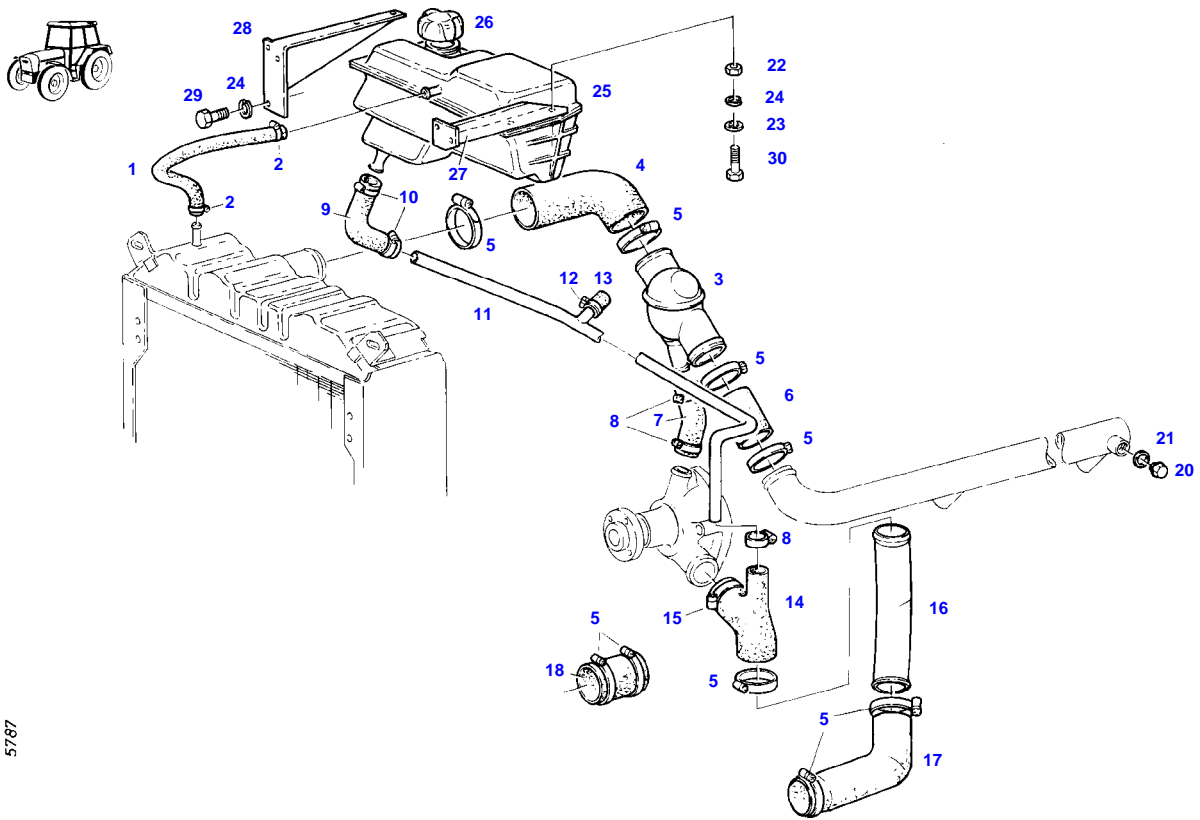
Thank you very much for reading.

Enter the link into your browser.

The full manual is available for immediate download.

<https://www.ebooklibonline.com>

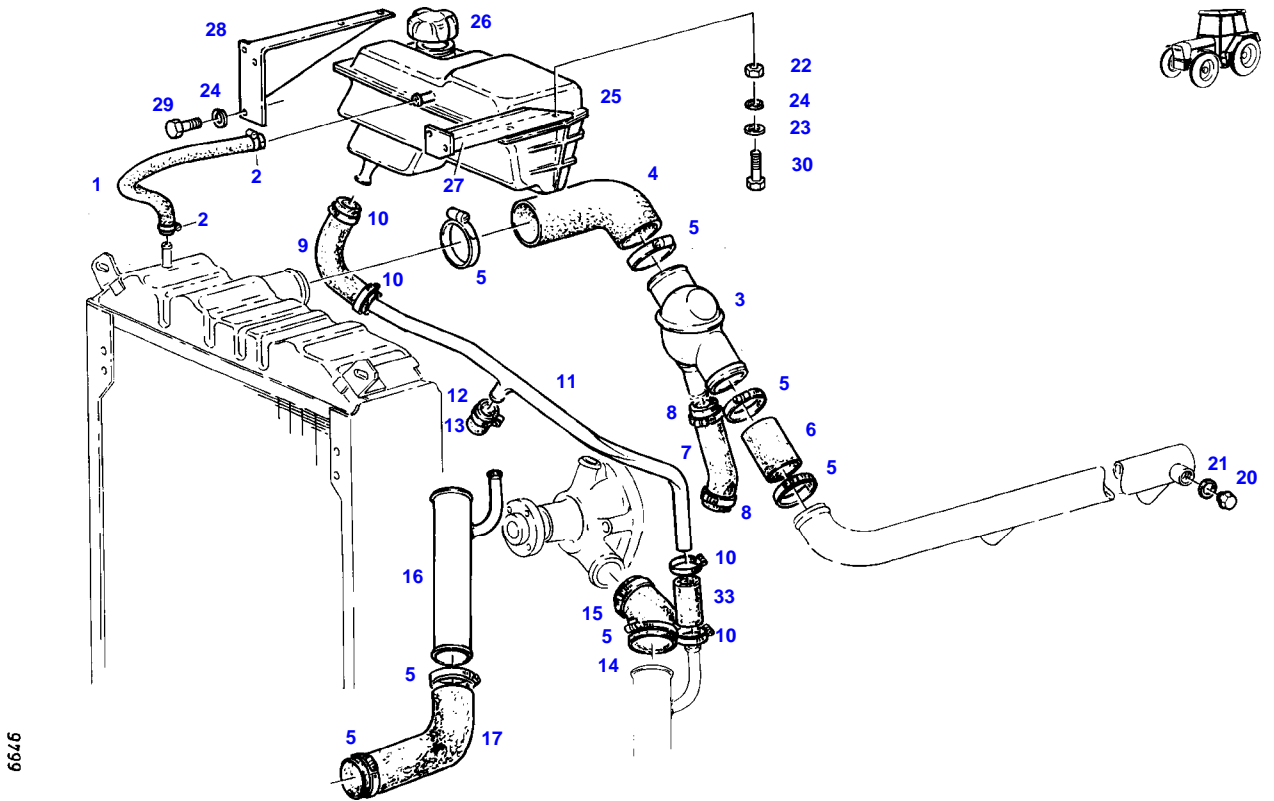
FARMER 312 (199/00001-03500)
5787



5787

Item	Part Number	Qty	Description Comments	Technical Specification
			--> 199/2199	
1	72622024	1	PRESSURE HOSE 300 MM CUT TO LENGTH	L=0,50M 8X3,5-FWN65911
2	72438345	2	HOSE CLIP	
3	72456610	1	THERMOSTAT	
	72343978	1	THERMOSTAT 85 C	
4	72396343	1	RUBBER ARCH	
5	72311163	7	HOSE CLIP	
6	72450417	1	HOSE 60 MM CUT TO LENGTH	L=100 DIN73411-45X5 R
7	72396344	1	RUBBER ARCH	
8	72311167	3	HOSE CLIP	
9	72396345	1	RUBBER ARCH	
10	72311166	2	HOSE CLIP	
11	72357352	1	PIPE	
12	72311166	1	HOSE CLIP	
13	72404925	1	CAP	
14	72396342	1	RUBBER ARCH	
15	72311162	1	HOSE CLIP	
16	72396356	1	SUCTION PIPE	
17	72396357	1	RUBBER ARCH	
18	72450417	1	HOSE 60 MM CUT TO LENGTH --> 199/0415	L=100 DIN73411-45X5 R
20	72315802	1	SCREW	DIN 7604 AM22X1,5-ST
21	72315101	2	SEALING WASHER	DIN 7603 A22X27-CU
22	72313266	4	NUT	DIN 934 M6-8A3L
23	72311822	1	DISC	DIN9021-6,4-140HV-A3L
24	72315052	8	SPLIT WASHER	FWN 65208-6-A3L
25	72316897	1	EXPANSION TANK <>	
	72438345	1	HOSE CLIP	
	72409370	1	CAP	
26	72348672	1	COLLER LOCKING	
27	72396353	1	RETAINER	
28	72396355	1	RETAINER	
29	72315629	4	HEXAGONAL HEAD BOLT	DIN 933 M6 X 12-8.8A3L
30	72315820	4	SCREW	DIN7976-ST6,3X13-C-A3L

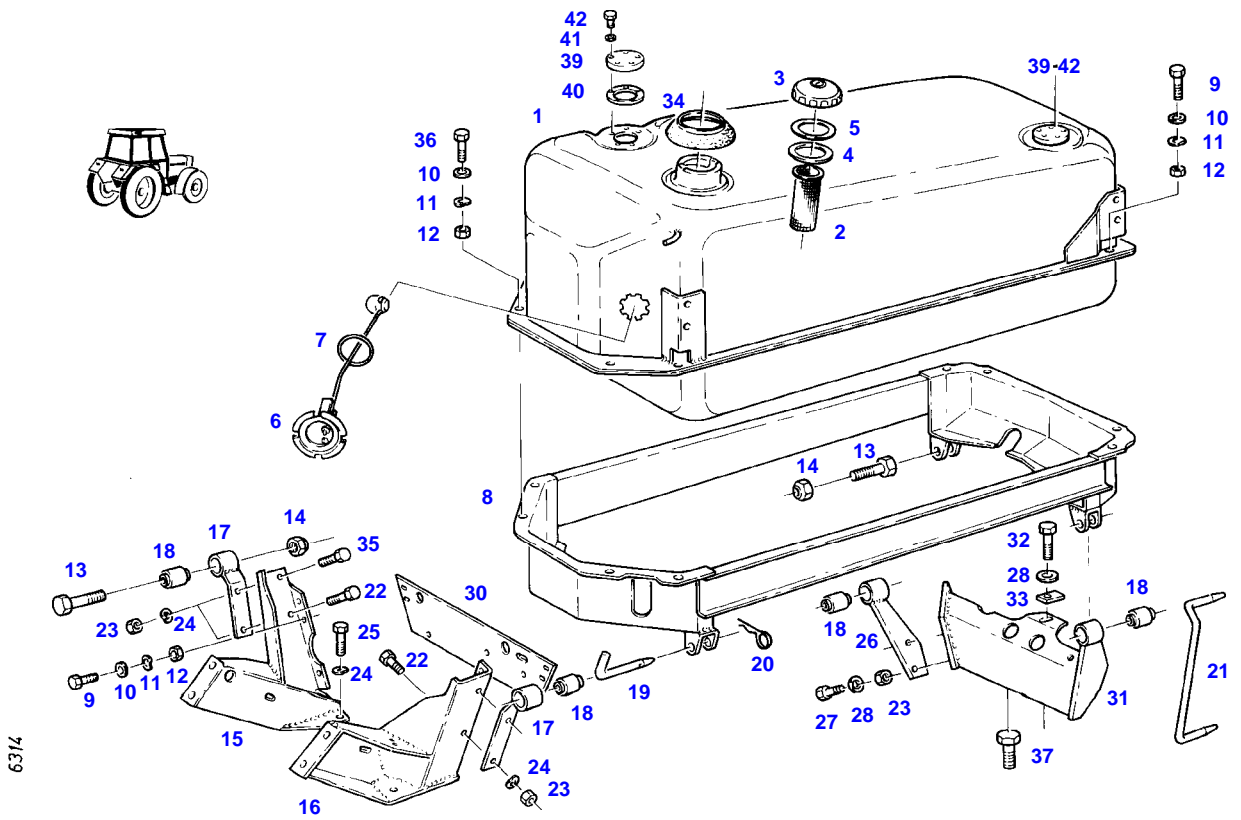
FARMER 312 (199/00001-03500)
6646



9799

Item	Part Number	Qty	Description Comments	Technical Specification
			<-- 199/2200	
1	72622024	1	PRESSURE HOSE 300 MM CUT TO LENGTH	L=0,50M 8X3,5-FWN65911
2	72438345	2	HOSE CLIP	
3	72456610	1	THERMOSTAT	
	72343978	1	THERMOSTAT 85 C	
4	72396343	1	RUBBER ARCH	
5	72311163	7	HOSE CLIP	
6	72450417	1	HOSE 60 MM CUT TO LENGTH	L=100 DIN73411-45X5 R
7	72397284	1	RUBBER ARCH	
8	72311167	2	HOSE CLIP	
9	72396345	1	RUBBER ARCH	
10	72311166	4	HOSE CLIP	
11	72357745	1	PIPE	
12	72311166	1	HOSE CLIP	
13	72404925	1	CAP	
14	72397283	1	RUBBER ARCH	
15	72311162	1	HOSE CLIP	
16	72357747	1	SUCTION LINE	
17	72396357	1	RUBBER ARCH	
20	72315802	1	SCREW	DIN 7604 AM22X1,5-ST
21	72315101	2	SEALING WASHER	DIN 7603 A22X27-CU
22	72313266	4	NUT	DIN 934 M6-8A3L
23	72311822	1	DISC	DIN9021-6,4-140HV-A3L
24	72315052	8	SPLIT WASHER	FWN 65208-6-A3L
25	72316897	1	EXPANSION TANK <>	
	72438345	1	HOSE CLIP	
	72409370	1	CAP	
26	72348672	1	COLLER LOCKING	
27	72396353	1	RETAINER	
28	72396355	1	RETAINER	
29	72315629	4	HEXAGONAL HEAD BOLT	DIN 933 M6 X 12-8.8A3L
30	72315820	4	SCREW	DIN7976-ST6,3X13-C-A3L
33	72450412	1	HOSE 1X 50MM CUT TO LENGTH	L=1000 18X3,5 R DIN 73411

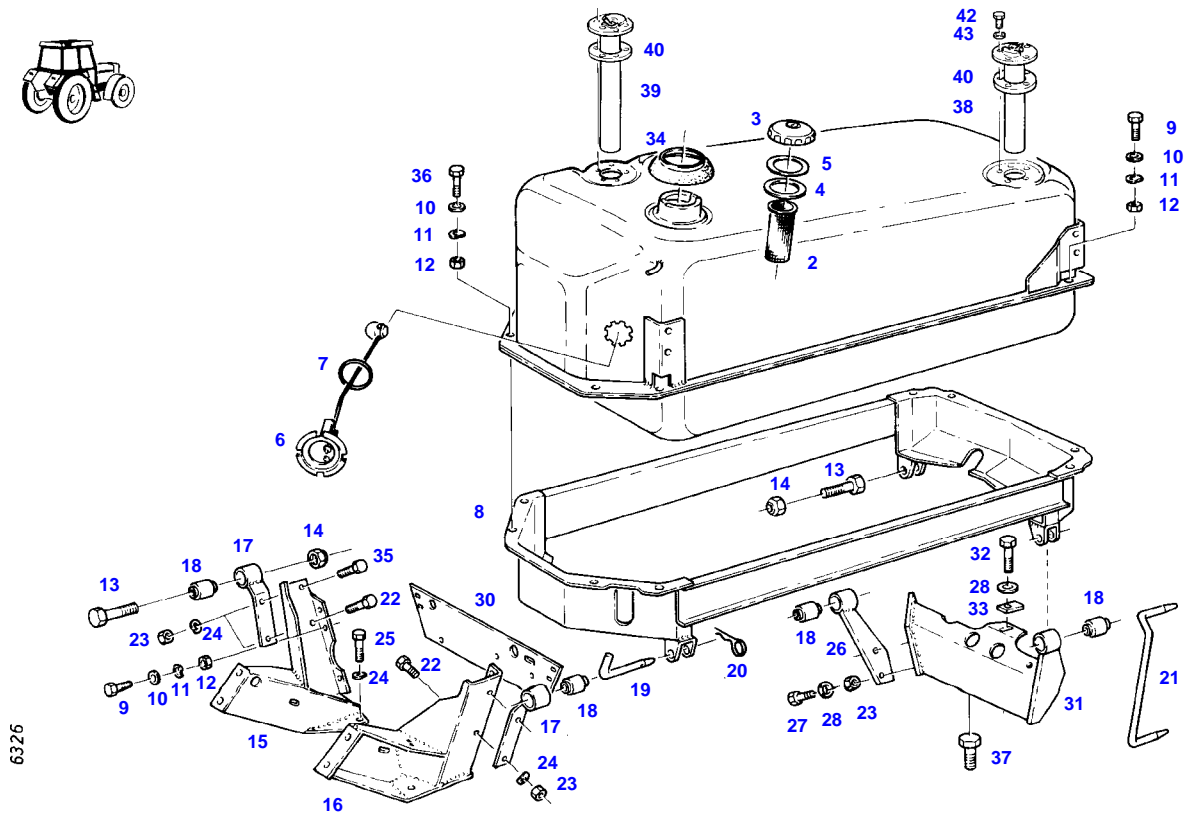
FARMER 312 (199/00001-03500)
6314



6314

Item	Part Number	Qty	Description Comments	Technical Specification
			--> 199/2199	
1	72357751	1	FUEL TANK <> 2X 39,40 10X 41,42 <>	
	72376017	10	SEALING WASHER	DIN 7603-A5X7,5-CU
	72315619	10	HEXAGONAL HEAD BOLT	DIN 933 M5X16-8.8A3L
	72376132	2	SEALING WASHER	
	72409022	2	FLANGE	
2	72433112	1	STRAINER	60X100-MS
3	72380143	1	FUEL CAP KOEHLER ><3+4	M.BELUEF
	72348297	1	FUEL CAP LOCKABLE BLAU ><3-5	
4	72330725	1	SEAL BLAU	
	72312304	1	RUBBER SEAL KOEHLER	
5	72330726	1	SEAL	
6	72613427	1	FUEL LEVEL SENSOR ><6-7	
7	72315169	1	SEALING WASHER	
8	72357719	1	TANK FRAME	
9	72315626	10	HEXAGONAL HEAD BOLT	DIN 933-M6 X 16-8.8-A3L
10	72311822	20	DISC	DIN9021-6,4-140HV-A3L
11	72317120	10	SPRING WASHER	DIN 137 B6-MECH.VZK
12	72313266	10	NUT	DIN 934 M6-8A3L
13	72315719	2	HEXAGONAL HEAD BOLT	DIN 933 M12X60-8.8A3L
14	72313325	2	NUT	DIN 980-VM12-8-A3L
15	72355440	1	BRACKET	
16	72355441	1	BRACKET	
17	72357100	2	BEARING	
18	72310644	4	RUBBER BUSHING	
19	72404932	2	BEARING PIN	
20	72311183	2	HAIR COTTER PIN	DIN 11024-4-A3L
21	72404936	1	BEARING PIN	
22	72315653	3	HEXAGONAL HEAD BOLT	DIN 933 M8 X 25-8.8A3L
23	72313268	6	NUT	DIN 934 M8-8A3L
24	72317121	10	SPRING WASHER	DIN 137 B8-MECH.VZK
25	72315642	6	HEXAGONAL HEAD BOLT	DIN 933 M8 X 16-8.8A3L
26	72357723	1	SUPPORT ARM	
27	72315660	2	HEXAGONAL HEAD BOLT	DIN 933 M8X35-8.8A3L
28	72311824	3	DISC	DIN9021-8,4-140HV-A3L
30	72395911	1	SHEET METAL	
31	72357721	1	CROSSMEMBER	
32	72315665	1	HEXAGONAL HEAD BOLT	DIN 933 M8X45-8.8A3L
33	72400066	1	PLATE LINK	
34	72397269	1	SLEEVE	
35	72315657	1	HEXAGONAL HEAD BOLT	DIN 933 M8 X 30-8.8A3L
36	72315631	2	HEXAGONAL HEAD BOLT	DIN 933 M6 X 20-8.8A3L
37	72315675	2	HEXAGONAL HEAD BOLT	DIN 933 M10X16-8.8A3L
39	72409022	2	FLANGE	
40	72376132	2	SEALING WASHER <> 41 <>	
	72376017	10	SEALING WASHER	DIN 7603-A5X7,5-CU
41	72376017	10	SEALING WASHER	DIN 7603-A5X7,5-CU
42	72315619	10	HEXAGONAL HEAD BOLT	DIN 933 M5X16-8.8A3L

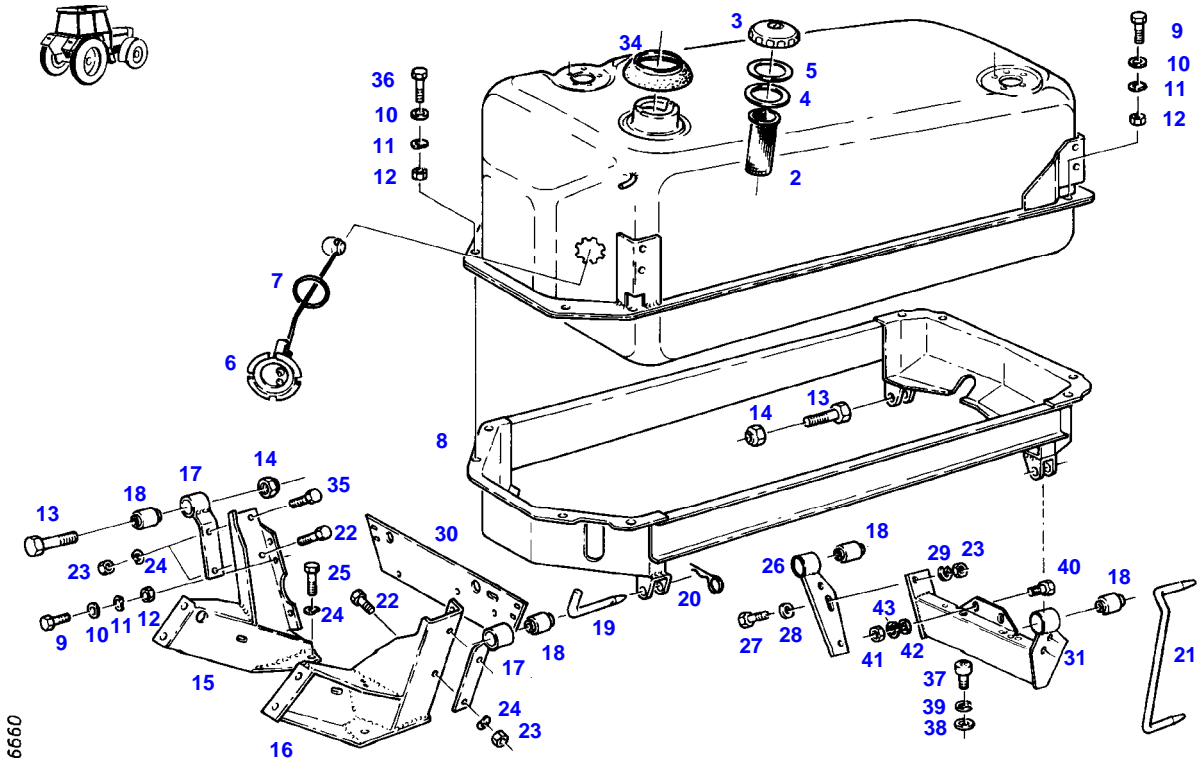
FARMER 312 (199/00001-03500)
6326



6326

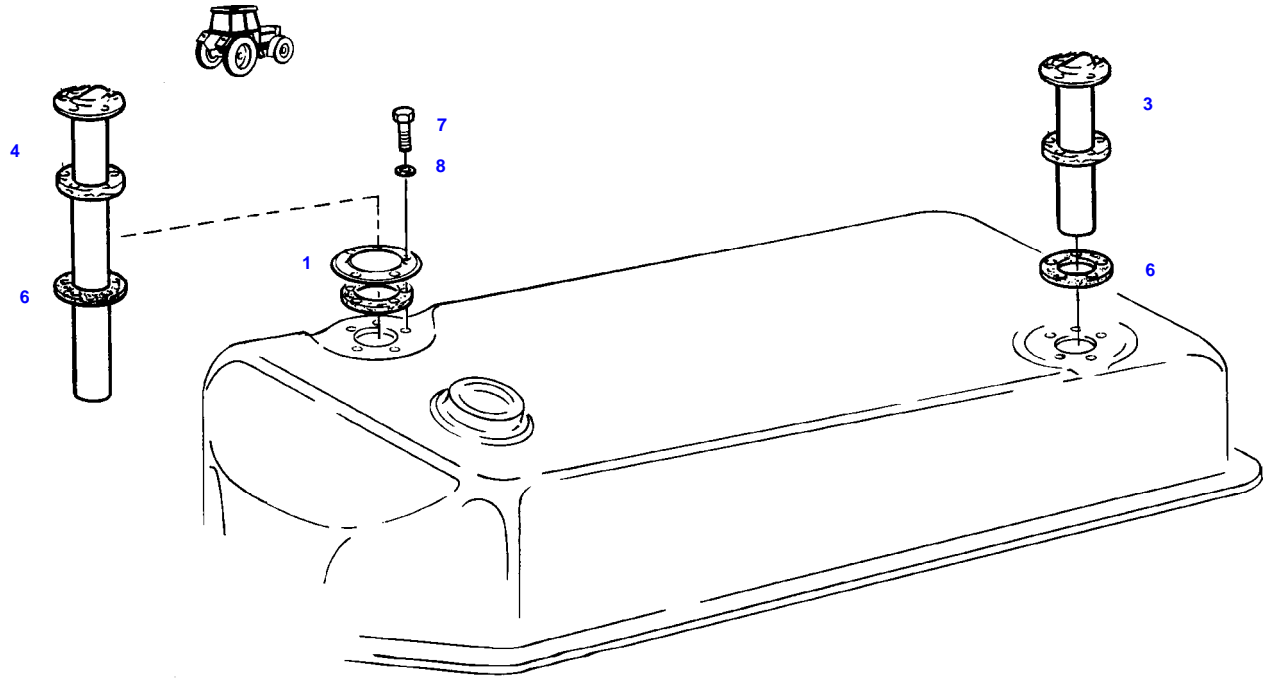
Item	Part Number	Qty	Description Comments	Technical Specification
BOARD COMPUTER				
1	72357751	1	FUEL TANK <>	
	72376017	10	SEALING WASHER	DIN 7603-A5X7,5-CU
	72315619	10	HEXAGONAL HEAD BOLT	DIN 933 M5X16-8.8A3L
	72409022	2	FLANGE	
	72376132	2	SEALING WASHER	
2	72433112	1	STRAINER	60X100-MS
3	72380143	1	FUEL CAP KOEHLER ><3+4	M.BELUEF
	72348297	1	FUEL CAP LOCKABLE BLAU ><3-5	
4	72330725	1	SEAL BLAU	
	72312304	1	RUBBER SEAL KOEHLER	
5	72330726	1	SEAL	
6	72613427	1	FUEL LEVEL SENSOR ><6-7	
7	72315169	1	SEALING WASHER	
8	72357719	1	TANK FRAME	
9	72315626	10	HEXAGONAL HEAD BOLT	DIN 933-M6 X 16-8.8-A3L
10	72311822	20	DISC	DIN9021-6,4-140HV-A3L
11	72317120	10	SPRING WASHER	DIN 137 B6-MECH.VZK
12	72313266	10	NUT	DIN 934 M6-8A3L
13	72315719	2	HEXAGONAL HEAD BOLT	DIN 933 M12X60-8.8A3L
14	72313325	2	NUT	DIN 980-VM12-8-A3L
15	72355440	1	BRACKET	
16	72355441	1	BRACKET	
17	72357100	2	BEARING	
18	72310644	4	RUBBER BUSHING	
19	72404932	2	BEARING PIN	
20	72311183	2	HAIR COTTER PIN	DIN 11024-4-A3L
21	72404936	1	BEARING PIN	
22	72315653	3	HEXAGONAL HEAD BOLT	DIN 933 M8 X 25-8.8A3L
23	72313268	6	NUT	DIN 934 M8-8A3L
24	72317121	10	SPRING WASHER	DIN 137 B8-MECH.VZK
25	72315642	6	HEXAGONAL HEAD BOLT	DIN 933 M8 X 16-8.8A3L
26	72357723	1	SUPPORT ARM	
27	72315660	2	HEXAGONAL HEAD BOLT	DIN 933 M8X35-8.8A3L
28	72311824	3	DISC	DIN9021-8,4-140HV-A3L
30	72395911	1	SHEET METAL	
31	72357721	1	CROSSMEMBER	
32	72315665	1	HEXAGONAL HEAD BOLT	DIN 933 M8X45-8.8A3L
33	72400066	1	PLATE LINK	
34	72397269	1	SLEEVE	
35	72315657	1	HEXAGONAL HEAD BOLT	DIN 933 M8 X 30-8.8A3L
36	72315631	2	HEXAGONAL HEAD BOLT	DIN 933 M6 X 20-8.8A3L
37	72315675	2	HEXAGONAL HEAD BOLT	DIN 933 M10X16-8.8A3L
38	72380155	1	FUEL LEVEL SENSOR	
39	72380154	1	FUEL LEVEL SENSOR	
40	72376132	2	SEALING WASHER <>43 <>	
	72376017	10	SEALING WASHER	DIN 7603-A5X7,5-CU
42	72315619	10	HEXAGONAL HEAD BOLT	DIN 933 M5X16-8.8A3L
43	72376017	10	SEALING WASHER	DIN 7603-A5X7,5-CU

FARMER 312 (199/00001-03500)
6660



Item	Part Number	Qty	Description Comments	Technical Specification
			<-- 199/2200	
1	72357751	1	FUEL TANK <>	
	72315619	10	HEXAGONAL HEAD BOLT	DIN 933 M5X16-8.8A3L
	72409022	2	FLANGE	
	72376132	2	SEALING WASHER	
	72376017	10	SEALING WASHER	DIN 7603-A5X7,5-CU
2	72433112	1	STRAINER	60X100-MS
3	72380143	1	FUEL CAP KOEHLER ><4	M.BELUEF
	72348297	1	FUEL CAP LOCKABLE BLAU ><4+5	
4	72330725	1	SEAL BLAU	
	72312304	1	RUBBER SEAL KOEHLER	
5	72330726	1	SEAL	
6	72613427	1	FUEL LEVEL SENSOR ><7	
7	72315169	1	SEALING WASHER	
8	72357719	1	TANK FRAME	
9	72315626	10	HEXAGONAL HEAD BOLT	DIN 933-M6 X 16-8.8-A3L
10	72311822	20	DISC	DIN9021-6,4-140HV-A3L
11	72317120	10	SPRING WASHER	DIN 137 B6-MECH.VZK
12	72313266	10	NUT	DIN 934 M6-8A3L
13	72315719	2	HEXAGONAL HEAD BOLT	DIN 933 M12X60-8.8A3L
14	72313325	2	NUT	DIN 980-VM12-8-A3L
15	72355440	1	BRACKET	
16	72355441	1	BRACKET	
17	72357100	2	BEARING	
18	72310644	4	RUBBER BUSHING	
19	72404932	2	BEARING PIN	
20	72311183	2	HAIR COTTER PIN	DIN 11024-4-A3L
21	72404936	1	BEARING PIN	
22	72315653	3	HEXAGONAL HEAD BOLT	DIN 933 M8 X 25-8.8A3L
23	72313268	6	NUT	DIN 934 M8-8A3L
24	72317121	10	SPRING WASHER	DIN 137 B8-MECH.VZK
25	72315642	6	HEXAGONAL HEAD BOLT	DIN 933 M8 X 16-8.8A3L
26	72357749	1	SUPPORT ARM	
27	72315660	2	HEXAGONAL HEAD BOLT	DIN 933 M8X35-8.8A3L
28	72311824	2	DISC	DIN9021-8,4-140HV-A3L
29	72315053	2	SPLIT WASHER	FWN 65208-8-A3L
30	72395911	1	SHEET METAL	
31	72357748	1	CROSSMEMBER	
34	72397269	1	SLEEVE	
35	72315657	1	HEXAGONAL HEAD BOLT	DIN 933 M8 X 30-8.8A3L
36	72315631	2	HEXAGONAL HEAD BOLT	DIN 933 M6 X 20-8.8A3L
37	72374066	2	SOCKET HEAD BOLT	DIN 912 M12X20-8.8
38	72311804	2	DISC	DIN 433-13-ST.A3L
39	72375473	2	SPLIT WASHER	FWN65237-12-A3L
40	72315689	2	HEXAGONAL HEAD BOLT	DIN 933 M10X35-8.8A3L
41	72313272	2	NUT	DIN 934 M10-8A3L
42	72311789	2	DISC	DIN 125-10,5-ST.A3L
43	72317122	2	SPRING WASHER	DIN 137 B10-MECH.VZK

FARMER 312 (199/00001-03500)
6662

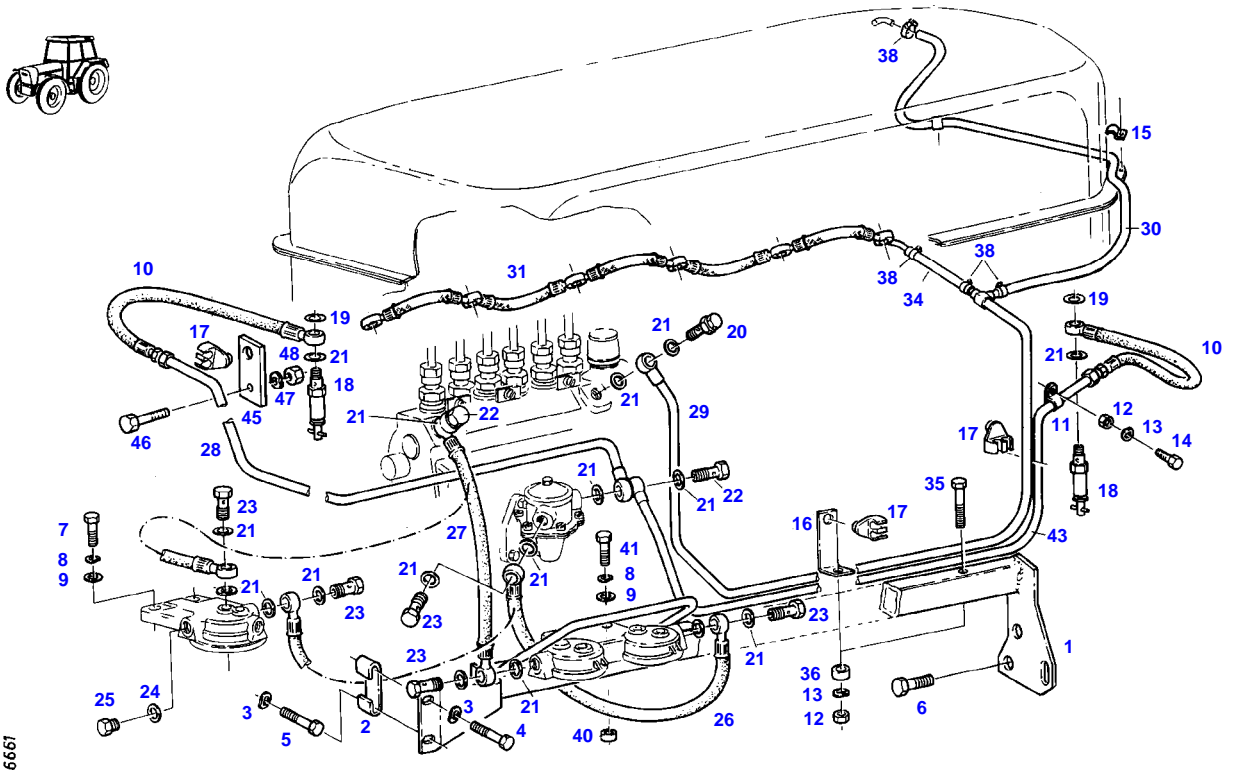


6662

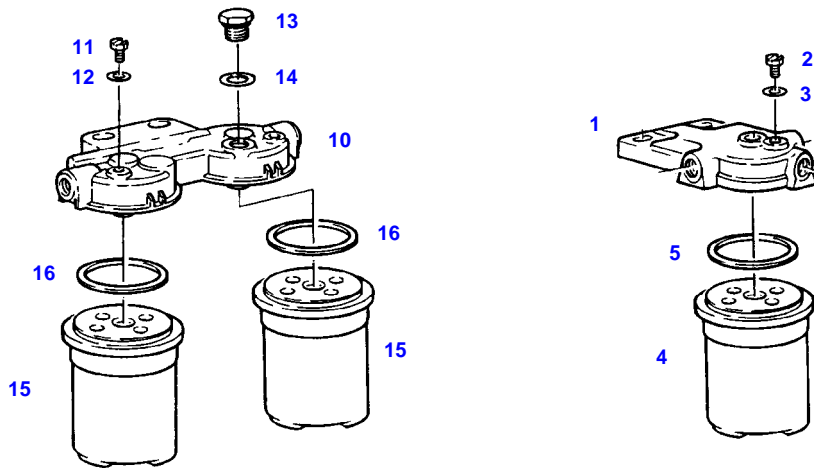
Item	Part Number	Qty	Description Comments	Technical Specification
			<-- 199/2200	
1	72409022	2	FLANGE	
3	72380155	1	FUEL LEVEL SENSOR BOARD COMPUTER	
4	72380154	1	FUEL LEVEL SENSOR BOARD COMPUTER	
6	72376132	2	SEALING WASHER	
7	72315619	10	HEXAGONAL HEAD BOLT	DIN 933 M5X16-8.8A3L
8	72376017	10	SEALING WASHER	DIN 7603-A5X7,5-CU

Item	Part Number	Qty	Description Comments	Technical Specification
			--> 199/2199	
1	72357314	1	RETAINER	
2	72399913	1	HOLDER	
3	72317122	2	SPRING WASHER	DIN 137 B10-MECH.VZK
4	72315689	1	HEXAGONAL HEAD BOLT	DIN 933 M10X35-8.8A3L
5	72315691	1	HEXAGONAL HEAD BOLT	DIN 933 M10X40-8.8A3L
6	72374493	2	HEXAGONAL HEAD BOLT	DIN 933 M14X30-8.8
	72374490	2	HEXAGONAL HEAD BOLT	DIN 933 M14X20-8.8
7	72315657	2	HEXAGONAL HEAD BOLT	DIN 933 M8 X 30-8.8A3L
8	72317121	2	SPRING WASHER	DIN 137 B8-MECH.VZK
9	72311824	2	DISC	DIN9021-8,4-140HV-A3L
10	72348658	1	TUBING	
11	72311241	1	PIPE CLAMP	
12	72313266	4	NUT	DIN 934 M6-8A3L
13	72317120	4	SPRING WASHER	DIN 137 B6-MECH.VZK
14	72315626	1	HEXAGONAL HEAD BOLT	DIN 933-M6 X 16-8.8-A3L
15	72398941	2	FASTENING COLLAR	
16	72397270	2	ANGLE	
17	72379246	3	CABLE CLIP	
18	72380159	2	FUEL SHUT-OFF VALVE	
19	72315093	2	SEALING WASHER	DIN 7603 A12X18-CU
20	72380268	1	BLEED AND DRAIN VALVE	
21	72315095	16	SEALING WASHER	DIN 7603 A14X20-CU
22	72310187	2	DOUBLE BOLT	
23	72315808	3	BANJO BOLT	DIN 7643-10-3-A3L
24	72315095	2	SEALING WASHER	DIN 7603 A14X20-CU
25	72315799	2	PLUG	DIN 7604 AM14X1,5-A3L
26	72356760	1	FUEL LINE	
27	72355537	1	FUEL LINE	
28	72348774	1	TUBING	
29	72357724	1	LEAKAGE OIL LINE	
30	72435830	1	PRESSURE HOSE 1100 MM CUT TO LENGTH	L=2100
31	72343884	1	LEAKAGE OIL LINE	
34	72450301	1	PRESSURE HOSE 350 MM CUT TO LENGTH	L=1000
35	72315639	1	HEXAGONAL HEAD BOLT	DIN 933 M6X50-8.8A3L
36	72392713	1	BUSH	
37	72311822	1	DISC	DIN9021-6,4-140HV-A3L
38	72438345	4	HOSE CLIP	
40	72311848	2	DISC	
41	72315660	2	HEXAGONAL HEAD BOLT	DIN 933 M8X35-8.8A3L

FARMER 312 (199/00001-03500)
6661



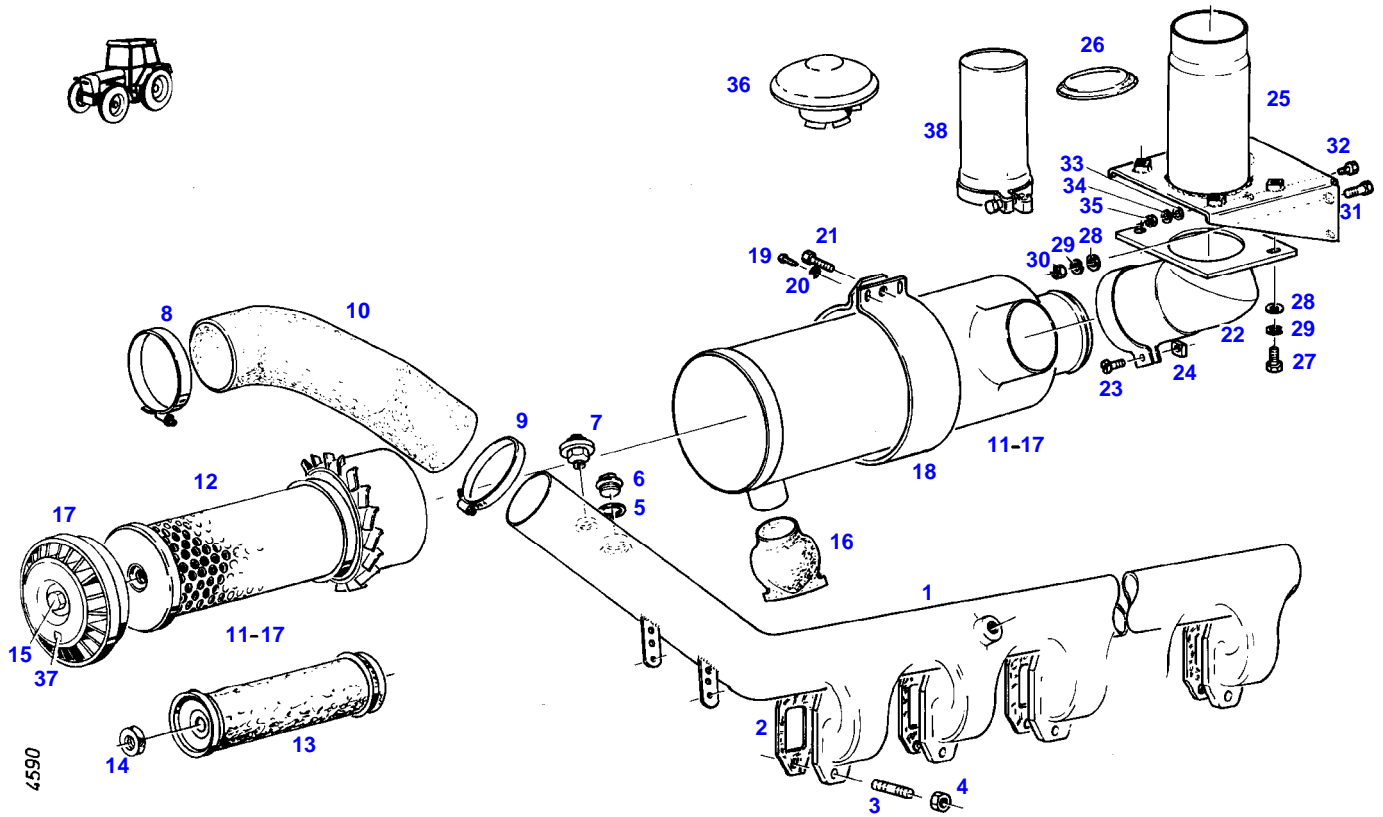
Item	Part Number	Qty	Description Comments	Technical Specification
			<-- 199/2200	
1	72357314	1	RETAINER	
2	72399913	1	HOLDER	
3	72317122	2	SPRING WASHER	DIN 137 B10-MECH.VZK
4	72315689	1	HEXAGONAL HEAD BOLT	DIN 933 M10X35-8.8A3L
5	72315691	1	HEXAGONAL HEAD BOLT	DIN 933 M10X40-8.8A3L
6	72374493	2	HEXAGONAL HEAD BOLT	DIN 933 M14X30-8.8
	72374490	2	HEXAGONAL HEAD BOLT	DIN 933 M14X20-8.8
7	72315657	2	HEXAGONAL HEAD BOLT	DIN 933 M8 X 30-8.8A3L
8	72317121	2	SPRING WASHER	DIN 137 B8-MECH.VZK
9	72311824	1	DISC	DIN9021-8,4-140HV-A3L
10	72357312	2	HOSE LINE	
11	72311241	1	PIPE CLAMP	
12	72313266	4	NUT	DIN 934 M6-8A3L
13	72317120	4	SPRING WASHER	DIN 137 B6-MECH.VZK
14	72315626	1	HEXAGONAL HEAD BOLT	DIN 933-M6 X 16-8.8-A3L
15	72398941	2	FASTENING COLLAR	
16	72397270	1	ANGLE	
17	72379246	3	CABLE CLIP	
18	72380159	2	FUEL SHUT-OFF VALVE	
19	72315093	2	SEALING WASHER	DIN 7603 A12X18-CU
20	72380268	1	BLEED AND DRAIN VALVE	
21	72315095	12	SEALING WASHER	DIN 7603 A14X20-CU
22	72310187	2	DOUBLE BOLT	
23	72315808	3	BANJO BOLT	DIN 7643-10-3-A3L
24	72315095	4	SEALING WASHER	DIN 7603 A14X20-CU
25	72315799	2	PLUG	DIN 7604 AM14X1,5-A3L
26	72356760	1	FUEL LINE	
27	72355537	1	FUEL LINE	
28	72357772	1	TUBING	
29	72357724	1	LEAKAGE OIL LINE	
30	72435830	1	PRESSURE HOSE 1100 MM CUT TO LENGTH	L=2100
31	72343884	1	LEAKAGE OIL LINE	
34	72450301	1	PRESSURE HOSE 350 MM CUT TO LENGTH	L=1000
35	72315639	1	HEXAGONAL HEAD BOLT	DIN 933 M6X50-8.8A3L
36	72392713	1	BUSH	
37	72311822	1	DISC	DIN9021-6,4-140HV-A3L
38	72438345	4	HOSE CLIP	
40	72311848	2	DISC	
41	72315660	2	HEXAGONAL HEAD BOLT	DIN 933 M8X35-8.8A3L
43	72357313	1	TUBING	
45	72397285	1	PLATE LINK	
46	72315660	1	HEXAGONAL HEAD BOLT	DIN 933 M8X35-8.8A3L
47	72317121	1	SPRING WASHER	DIN 137 B8-MECH.VZK
48	72313268	1	NUT	DIN 934 M8-8A3L



4952

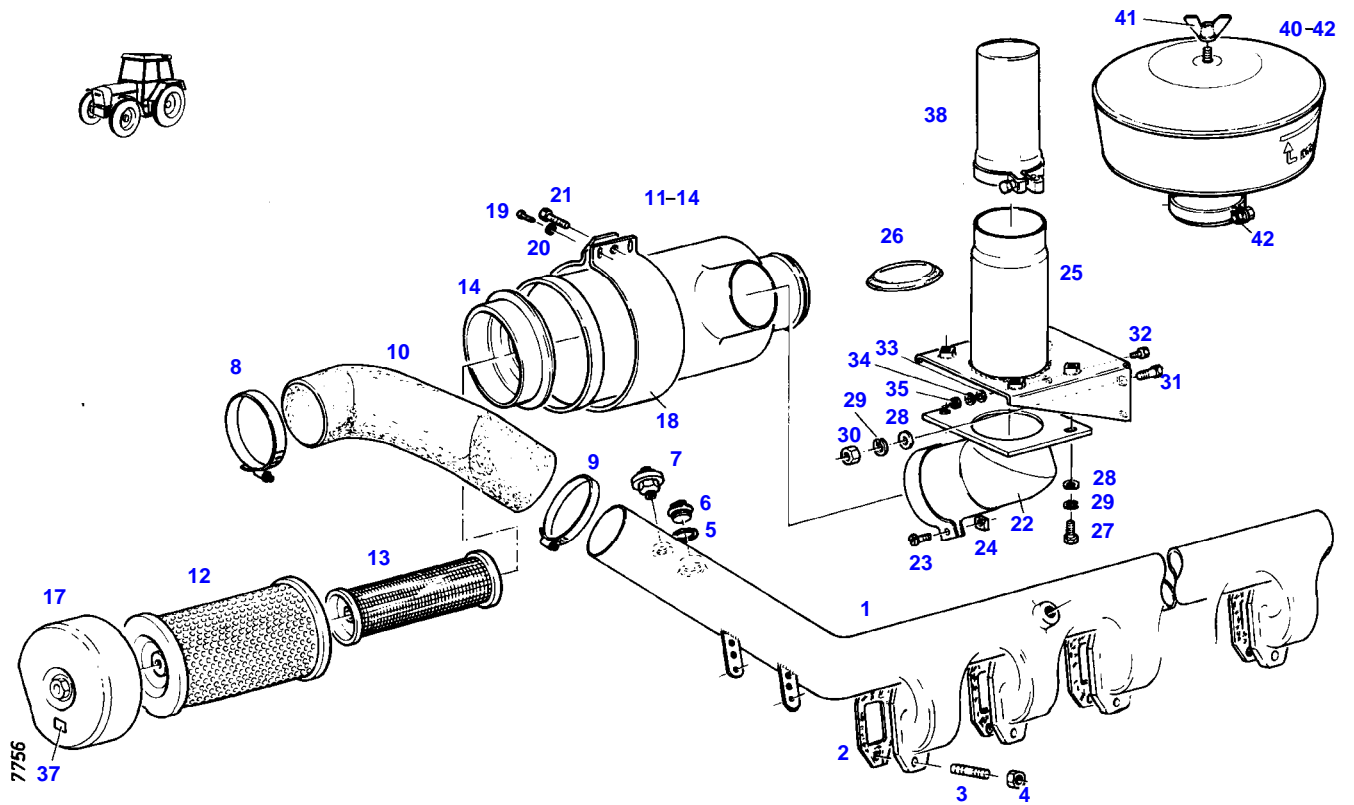
Item	Part Number	Qty	Description Comments	Technical Specification
1	72615599	1	FILTER LID ><2,3	
2	72323290	1	BLEED SCREW	
3	72315084	1	SEALING WASHER	DIN 7603 A6X10-CU
4	72416928	1	FILTER BOX ><5	
5	72314995	1	RUBBER RING PARALLEL-FILTER	
10	72380173	1	PARALLEL FILTER BOSCH ><11-16 <-- X810.190.166.000 1X <>	
	72416928	2	FILTER BOX	
	72451307	1	COVER KNECHT ><11,12 <>	PARALLELFILT.
	72416928	2	FILTER BOX	
11	72323290	2	BLEED SCREW BOSCH	
	72314699	2	BLEED SCREW KNECHT	
12	72315084	2	SEALING WASHER BOSCH	DIN 7603 A6X10-CU
	72315086	2	SEALING WASHER KNECHT	DIN 7603 A8X11,5-CU
13	72326250	1	SCREW BOSCH	
14	72315095	1	SEALING WASHER BOSCH	DIN 7603 A14X20-CU
15	72416928	2	FILTER BOX ><16	
16	72314995	2	RUBBER RING	

FARMER 312 (199/00001-03500)
4590



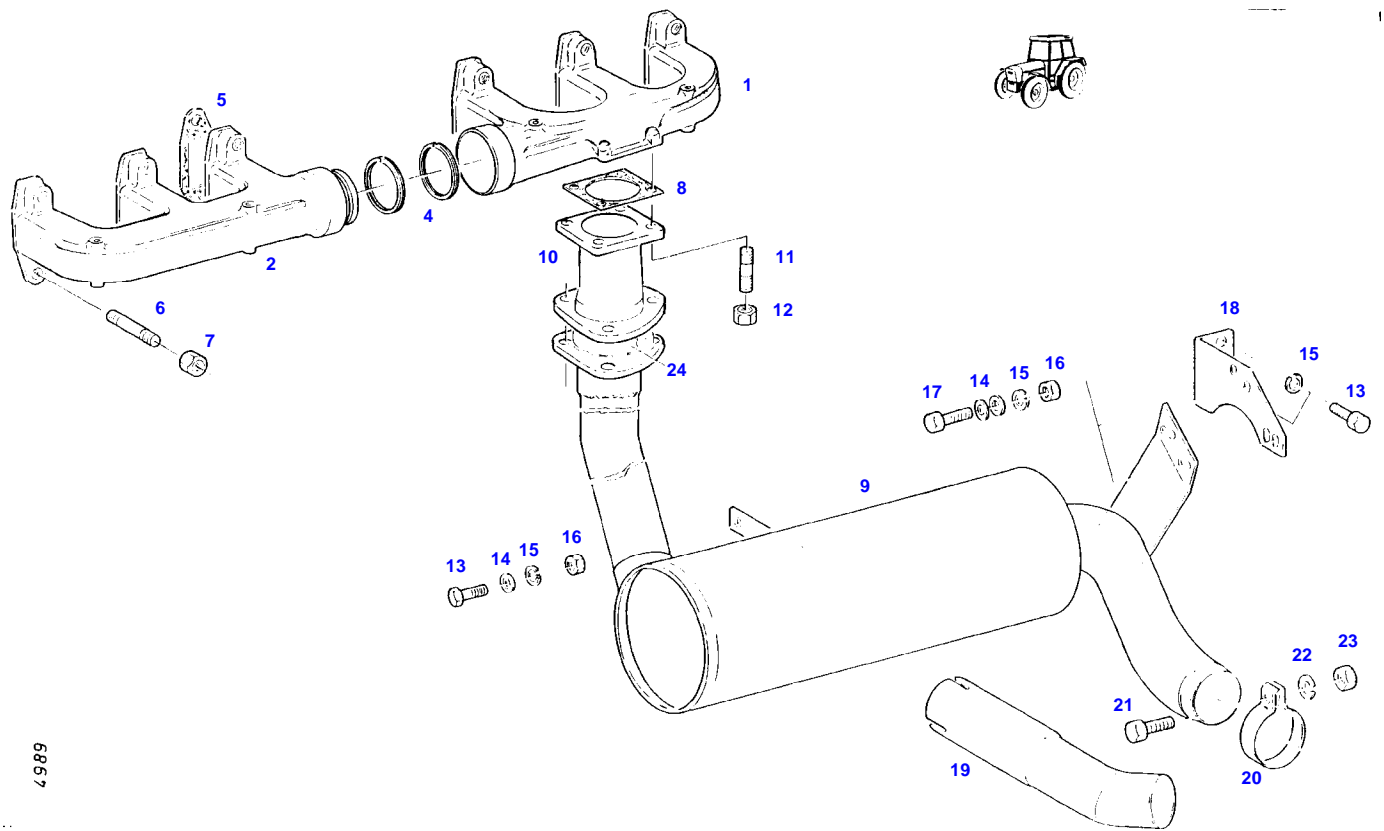
Item	Part Number	Qty	Description Comments	Technical Specification
PICLON				
1	72357727	1	INTAKE MANIFOLD	
2	72332145	6	MOLDED SEAL	
3	72313776	12	STUD BOLT	DIN 939 M10X25-8.8
4	72373015	12	NUT	DIN70615-M10-8-A3B
5	72315101	1	SEALING WASHER	DIN 7603 A22X27-CU
6	72315802	1	SCREW	DIN 7604 AM22X1,5-ST
7	72316876	1	MAINTENANCE SWITCH	
8	72311172	1	HOSE CLIP	
9	72311171	1	HOSE CLIP	
10	72397271	1	RUBBER ARCH	
11	72348775	1	AIR FILTER MANN + HUMMEL ><12-17	
	72348775	1	AIR FILTER KNECHT ><12-17	
12	72332577	1	MICRO-TOP CARTRIDGE	
13	72332126	1	SAFETY CARTRIDGE	
14	72313299	1	NUT	DIN 936-M16X1,5-17H
			MANN + HUMMEL	
	72372763	1	NUT KNECHT	DIN 439 BM16-04A3L
15	72339030	1	COLLAR NUT MANN + HUMMEL	
	72332977	1	FASTENING NUT KNECHT	
16	72332513	1	DUST DISCHARGE VALVE MANN + HUMMEL	
	72332975	1	VALVE KNECHT	
17	72332518	1	COVER MANN + HUMMEL	
	72332976	1	COVER KNECHT <-- G199.200.090.010	
18	72396306	1	CLAMP	
19	72315814	2	SCREW	DIN7976-ST4,8X16-F-A3L
20	72311785	2	DISC	DIN 125-5,3-ST.A3L
21	72315634	1	HEXAGONAL HEAD BOLT	DIN 933 M6X30-8.8A3L
22	72357729	1	PIPE BEND	
23	72374982	1	OVAL HEAD SCREW	DIN 7985 M6X25-4.8A3L
24	72372783	1	SQUARE NUT	DIN 557 M6-5 A3L
25	72357730	1	CONSOLE	
26	72396307	1	SEALING RING	
27	72315650	2	HEXAGONAL HEAD BOLT	DIN 933 M8 X 20-8.8A3L
28	72311788	4	DISC	DIN 125-8,4-ST.A3L
29	72315053	4	SPLIT WASHER	FWN 65208-8-A3L
30	72313268	2	NUT	DIN 934 M8-8A3L
31	72315642	2	HEXAGONAL HEAD BOLT	DIN 933 M8 X 16-8.8A3L
32	72315629	1	HEXAGONAL HEAD BOLT	DIN 933 M6 X 12-8.8A3L
33	72311787	1	DISC	DIN 125-6,4-ST.A3L
34	72315052	1	SPLIT WASHER	FWN 65208-6-A3L
35	72313266	1	NUT	DIN 934 M6-8A3L
36	72348784	1	RAIN CAP	
37	72405741	1	ABSORPTION INDICATOR	
38	72348666	1	CONNECTING PIPE	

FARMER 312 (199/00001-03500)
7756



Item	Part Number	Qty	Description Comments	Technical Specification
PICO				
1	72357727	1	INTAKE MANIFOLD	
2	72329730	6	MOLDED SEAL	
3	72313776	12	STUD BOLT	DIN 939 M10X25-8.8
4	72373015	12	NUT	DIN70615-M10-8-A3B
5	72315101	1	SEALING WASHER	DIN 7603 A22X27-CU
6	72315802	1	SCREW	DIN 7604 AM22X1,5-ST
7	72316876	1	MAINTENANCE SWITCH	
8	72311172	1	HOSE CLIP	
9	72311171	1	HOSE CLIP	
10	72397271	1	RUBBER ARCH	
11	72348780	1	AIR FILTER ><12-14	
12	72332577	1	MICRO-TOP CARTRIDGE	
13	72332126	1	SAFETY CARTRIDGE	
14	72332999	1	GUIDE RING	
17			NO SPARE PART	
18	72396306	1	CLAMP	
19	72315814	2	SCREW	DIN7976-ST4,8X16-F-A3L
20	72311785	2	DISC	DIN 125-5,3-ST.A3L
21	72315634	1	HEXAGONAL HEAD BOLT	DIN 933 M6X30-8.8A3L
22	72357729	1	PIPE BEND	
23	72374982	1	OVAL HEAD SCREW	DIN 7985 M6X25-4.8A3L
24	72372783	1	SQUARE NUT	DIN 557 M6-5 A3L
25	72357730	1	CONSOLE	
26	72396307	1	SEALING RING	
27	72315650	2	HEXAGONAL HEAD BOLT	DIN 933 M8 X 20-8.8A3L
28	72311788	6	DISC	DIN 125-8,4-ST.A3L
29	72315053	4	SPLIT WASHER	FWN 65208-8-A3L
30	72313268	2	NUT	DIN 934 M8-8A3L
31	72315650	2	HEXAGONAL HEAD BOLT	DIN 933 M8 X 20-8.8A3L
32	72315626	1	HEXAGONAL HEAD BOLT	DIN 933-M6 X 16-8.8-A3L
33	72311787	2	DISC	DIN 125-6,4-ST.A3L
34	72315052	1	SPLIT WASHER	FWN 65208-6-A3L
35	72313266	1	NUT	DIN 934 M6-8A3L
37	72405741	1	ABSORPTION INDICATOR	
38			NOT USED	
40	72348552	1	PRE-CLEANER ><40-42	
	72311582	1	DUST CUP	
41	72313238	1	WING NUT	
42	72332464	1	HOSE CLIP	

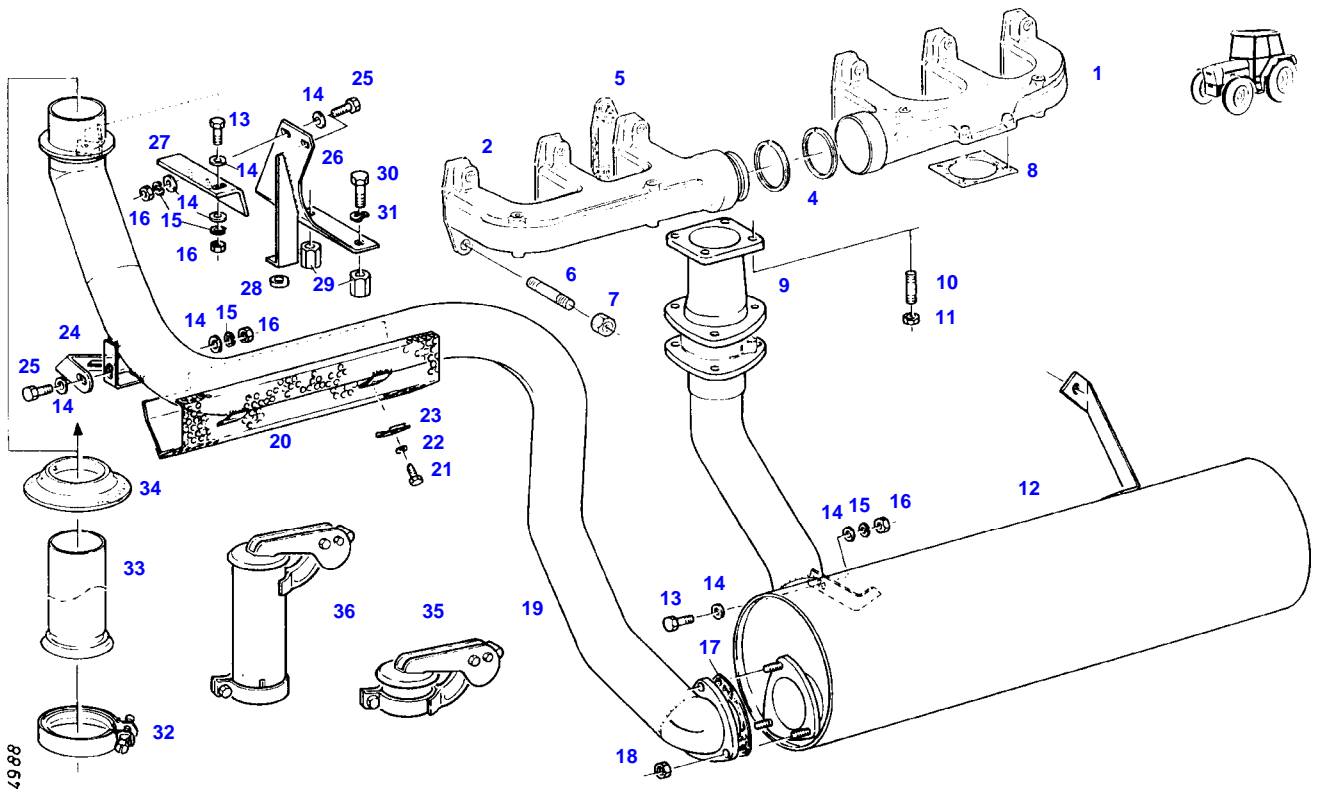
FARMER 312 (199/00001-03500)
4989



6857

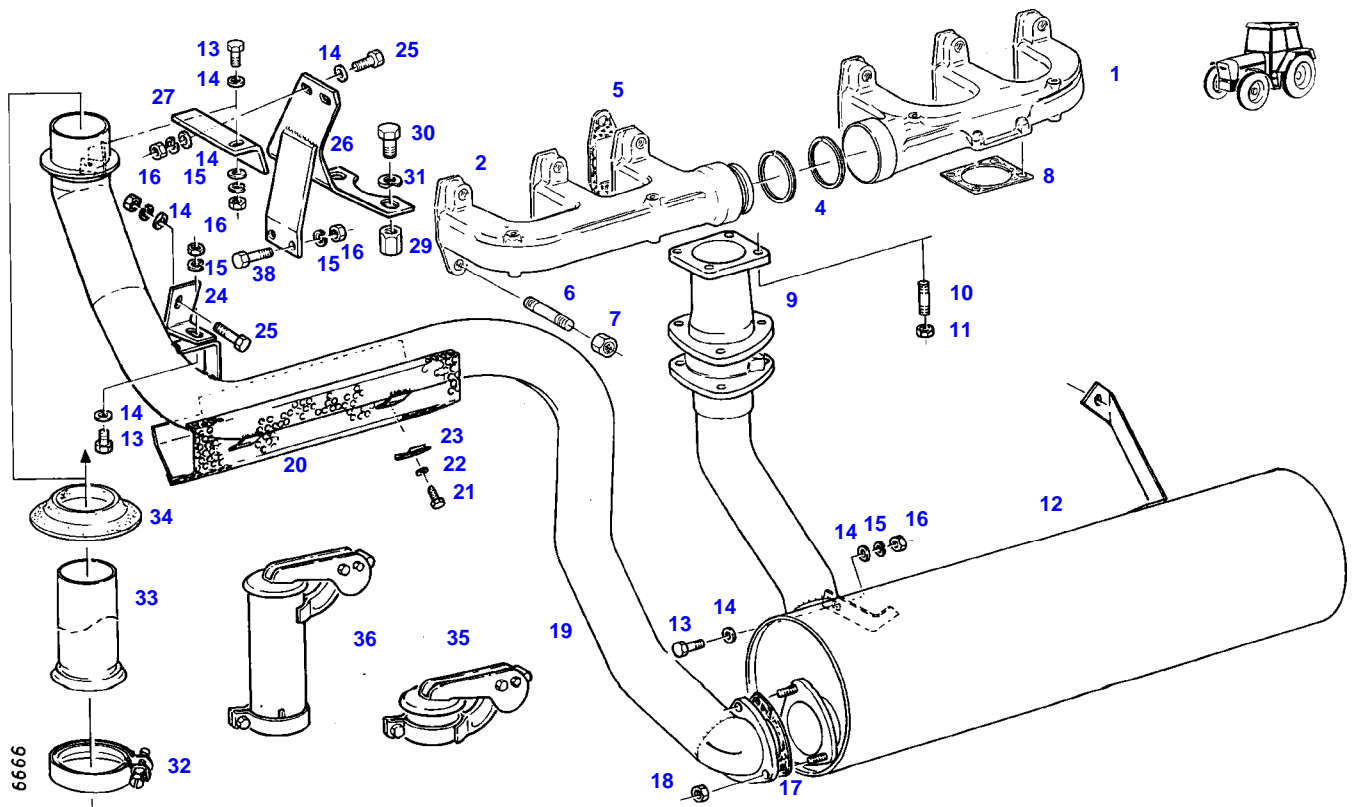
Item	Part Number	Qty	Description Comments	Technical Specification
1	72332979	1	EXHAUST HALF	
2	72332978	1	EXHAUST HALF	
4	72332980	2	LAMELLAR RING	
5	72332145	6	MOLDED SEAL	
6	72374647	12	STUD BOLT	DIN 939-M10X40-8.8
7	72373015	12	NUT	DIN70615-M10-8-A3B
8	72331323	1	SQUARE SEAL	
9	72357759	1	EXHAUST MUFFLER ENGINE BRAKE	
			<>	
	72316967	2	SPACER TUBE	
	72357329	1	EXHAUST MUFFLER	
			<>	
	72407297	1	INTERMEDIATE PIECE	
	72313268	3	NUT	DIN 934 M8-8A3L
	72315534	3	HEXAGONAL HEAD BOLT	DIN 931 M8 X 70-8.8
	72395941	1	INTERMEDIATE PIECE	
10	72407297	1	INTERMEDIATE PIECE ENGINE BRAKE	
11	72313776	4	STUD BOLT	DIN 939 M10X25-8.8
12	72373015	4	NUT	DIN70615-M10-8-A3B
13	72315642	3	HEXAGONAL HEAD BOLT	DIN 933 M8 X 16-8.8A3L
14	72311788	5	DISC	DIN 125-8,4-ST.A3L
15	72315053	5	SPLIT WASHER	FWN 65208-8-A3L
16	72313268	3	NUT	DIN 934 M8-8A3L
17	72315646	2	HEXAGONAL HEAD BOLT	DIN 933 M8X18-8.8A3L
18	72396312	1	RETAINING BRACKET	
19	72396310	1	EXHAUST TAILPIPE	
20	72373441	1	PIPE CLAMP	DIN71555-75,5-A4C
21	72315685	1	HEXAGONAL HEAD BOLT	DIN 933 M10X30-8.8A3L
22	72315054	1	SPLIT WASHER	FWN 65208-10-A3L
23	72313272	1	NUT	DIN 934 M10-8A3L
24			SEE ENGINE BRAKE	

FARMER 312 (199/00001-03500)
4988



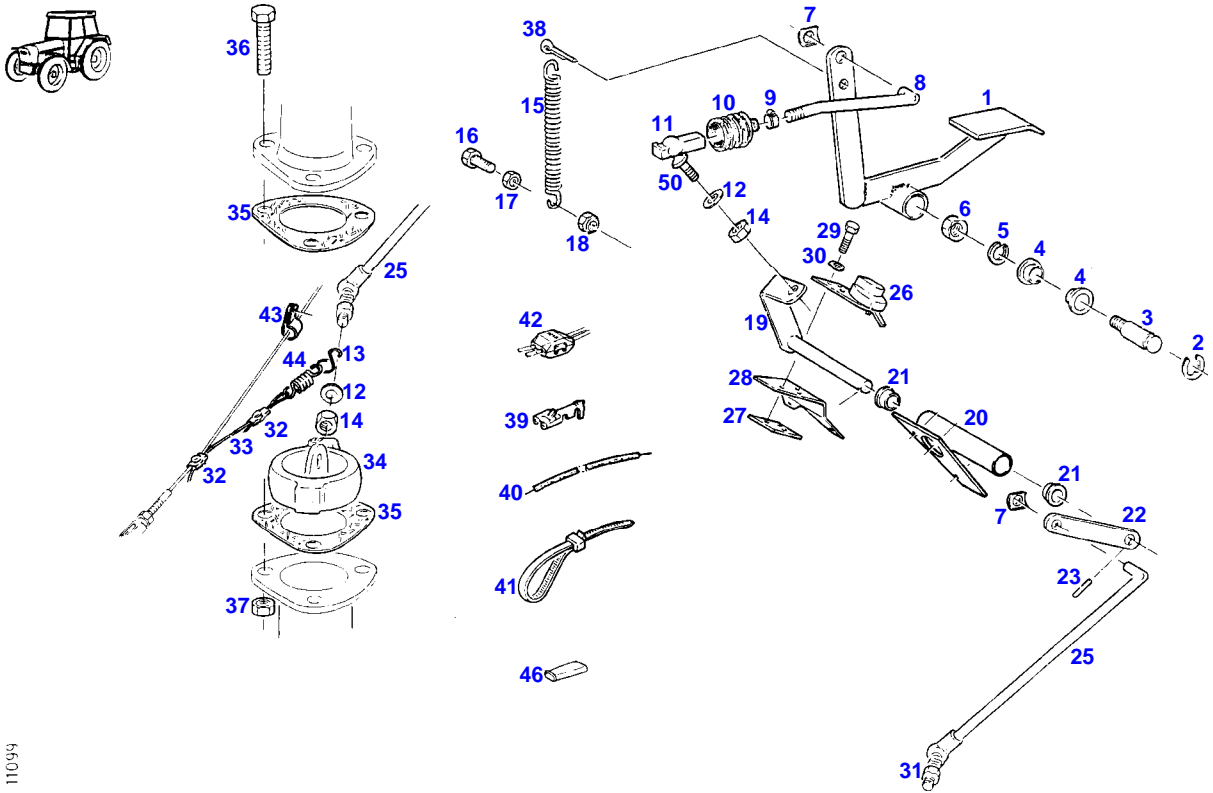
Item	Part Number	Qty	Description Comments	Technical Specification
			--> 199/2199	
1	72332979	1	EXHAUST HALF	
2	72332978	1	EXHAUST HALF	
4	72332980	1	LAMELLAR RING	
5	72332145	6	MOLDED SEAL	
6	72374647	12	STUD BOLT	DIN 939-M10X40-8.8
7	72373015	12	NUT	DIN70615-M10-8-A3B
8	72331323	1	SQUARE SEAL	
9	72407297	1	INTERMEDIATE PIECE ENGINE BRAKE	
10	72313776	4	STUD BOLT	DIN 939 M10X25-8.8
11	72373015	4	NUT	DIN70615-M10-8-A3B
12	72363446	1	EXHAUST MUFFLER ENGINE BRAKE	
			<>	
	72315053	4	SPLIT WASHER	FWN 65208-8-A3L
	72315657	4	HEXAGONAL HEAD BOLT	DIN 933 M8 X 30-8.8A3L
	72397335	1	HOLDER	
	72357778	1	RETAINER	
	72313268	4	NUT	DIN 934 M8-8A3L
	72397287	1	RETAINING BRACKET	
	72363446	1	EXHAUST MUFFLER	
			<>	
	72407297	1	INTERMEDIATE PIECE	
	72315053	4	SPLIT WASHER	FWN 65208-8-A3L
	72313268	4	NUT	DIN 934 M8-8A3L
	72315657	2	HEXAGONAL HEAD BOLT	DIN 933 M8 X 30-8.8A3L
	72397335	1	HOLDER	
	72315534	3	HEXAGONAL HEAD BOLT	DIN 931 M8 X 70-8.8
	72357778	1	RETAINER	
	72313269	3	NUT	DIN 934 M8-8C2A
	72395941	1	INTERMEDIATE PIECE	
	72397287	1	RETAINING BRACKET	
	72407298	2	MOLDED SEAL	
13	72315646	3	HEXAGONAL HEAD BOLT	DIN 933 M8X18-8.8A3L
14	72311788	11	DISC	DIN 125-8,4-ST.A3L
15	72315053	6	SPLIT WASHER	FWN 65208-8-A3L
16	72313268	6	NUT	DIN 934 M8-8A3L
17	72407298	1	MOLDED SEAL	
18	72313269	3	NUT	DIN 934 M8-8C2A
19	72425200	1	EXHAUST PIPE	
20	72357334	1	SHROUD PANEL	
21	72315821	2	SCREW	DIN7976-ST6,3X19-C-A3L
22	72311822	2	DISC	DIN9021-6,4-140HV-A3L
23	72313344	2	SPEED NUT	6,3 ZN PASS
24	72396319	1	ANGLE	
			-->199/0415	
	72396318	1	ANGLE	
			<--199/0416	
25	72315653	3	HEXAGONAL HEAD BOLT	DIN 933 M8 X 25-8.8A3L
26	72357333	1	RETAINER	
27	72397332	1	ANGLE	
29	72331763	2	NUT	
30	72374490	2	HEXAGONAL HEAD BOLT	DIN 933 M14X20-8.8
31	72375406	2	SPRING WASHER	DIN 137 B14-MECH.VZK GE.CR
32	72311139	1	PROFILE CLIP	
33	72357332	1	REAR SILENCER	
34	72396317	1	SEALING CUP	
35	72348669	1	EXHAUST WEATHER CAP	
36	72348670	1	EXTENSION TUBE SWEDEN	

FARMER 312 (199/00001-03500)
6666



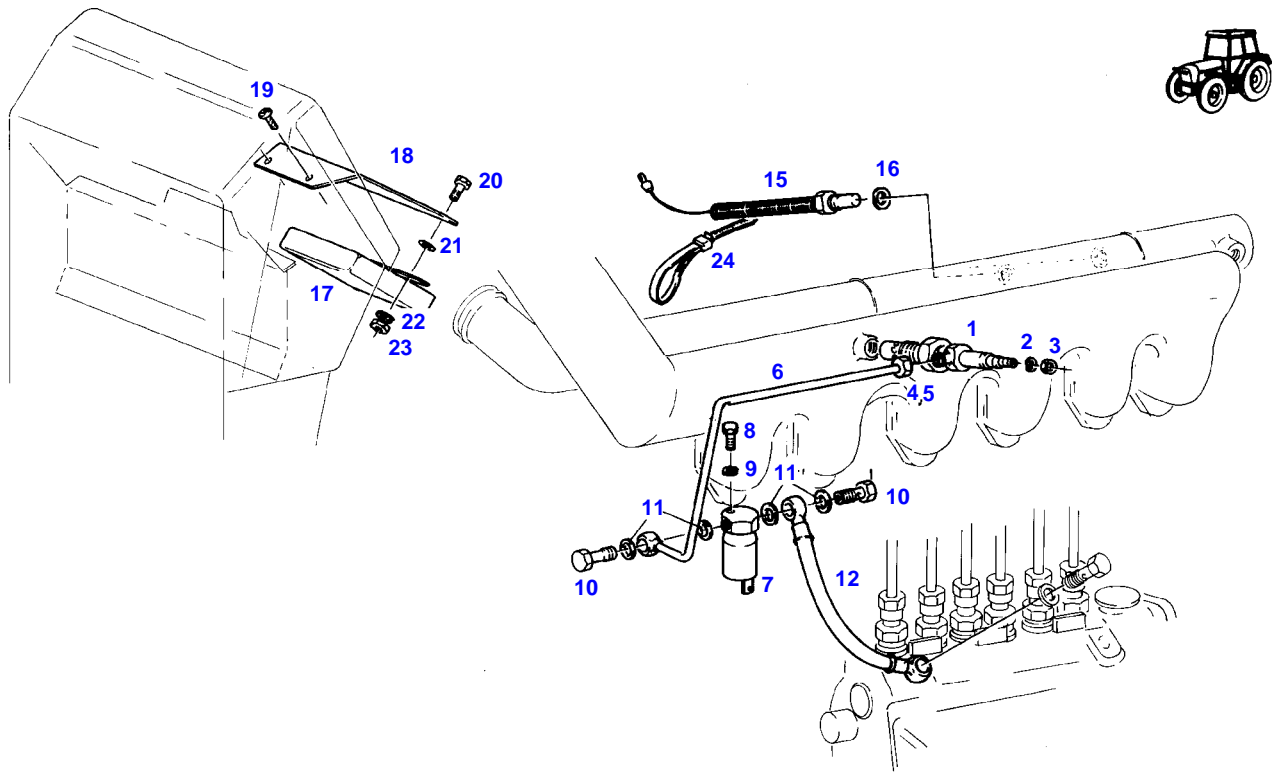
Item	Part Number	Qty	Description Comments	Technical Specification
			<-- 199/2200	
1	72332979	1	EXHAUST HALF	
2	72332978	1	EXHAUST HALF	
4	72332980	1	LAMELLAR RING	
5	72332145	6	MOLDED SEAL	
6	72374647	12	STUD BOLT	DIN 939-M10X40-8.8
7	72373015	12	NUT	DIN70615-M10-8-A3B
8	72331323	1	SQUARE SEAL	
9	72407297	1	INTERMEDIATE PIECE ENGINE BRAKE	
10	72313776	4	STUD BOLT	DIN 939 M10X25-8.8
11	72373015	4	NUT	DIN70615-M10-8-A3B
12	72363446	1	EXHAUST MUFFLER ENGINE BRAKE	
			<>	
	72313268	4	NUT	DIN 934 M8-8A3L
	72315647	2	HEXAGONAL HEAD BOLT	DIN933-M8X20-8.8A3L-MK
	72357778	1	RETAINER	
	72397334	1	RETAINING BRACKET	
	72315053	4	SPLIT WASHER	FWN 65208-8-A3L
	72397335	1	HOLDER	
	72363446	1	EXHAUST MUFFLER	
			<>	
	72315534	3	HEXAGONAL HEAD BOLT	DIN 931 M8 X 70-8.8
	72357778	1	RETAINER	
	72315647	2	HEXAGONAL HEAD BOLT	DIN933-M8X20-8.8A3L-MK
	72315053	4	SPLIT WASHER	FWN 65208-8-A3L
	72397334	1	RETAINING BRACKET	
	72397335	1	HOLDER	
	72395941	1	INTERMEDIATE PIECE	
	72407297	1	INTERMEDIATE PIECE	
	72407298	2	MOLDED SEAL	
	72313269	3	NUT	DIN 934 M8-8C2A
	72313268	4	NUT	DIN 934 M8-8A3L
13	72315646	3	HEXAGONAL HEAD BOLT	DIN 933 M8X18-8.8A3L
14	72311788	11	DISC	DIN 125-8,4-ST.A3L
15	72315053	7	SPLIT WASHER	FWN 65208-8-A3L
16	72313268	7	NUT	DIN 934 M8-8A3L
17	72407298	1	MOLDED SEAL	
18	72313269	3	NUT	DIN 934 M8-8C2A
19	72425200	1	EXHAUST PIPE	
20	72357334	1	SHROUD PANEL	
21	72315821	2	SCREW	DIN7976-ST6,3X19-C-A3L
22	72311822	2	DISC	DIN9021-6,4-140HV-A3L
23	72313344	2	SPEED NUT	6,3 ZN PASS
24	72396318	1	ANGLE	
	72396318	1	ANGLE	
25	72315653	3	HEXAGONAL HEAD BOLT	DIN 933 M8 X 25-8.8A3L
26	72357752	1	RETAINER	
27	72397332	1	ANGLE	
28	72387057	1	RING	
29	72331763	2	NUT	
30	72374490	2	HEXAGONAL HEAD BOLT	DIN 933 M14X20-8.8
31	72375406	2	SPRING WASHER	DIN 137 B14-MECH.VZK GE.CR
32	72311139	1	PROFILE CLIP	
33	72357332	1	REAR SILENCER	
34	72396317	1	SEALING CUP	
35	72348669	1	EXHAUST WEATHER CAP	
36	72348670	1	EXTENSION TUBE SWEDEN	
38	72315659	1	HEXAGONAL HEAD BOLT	DIN 933 M8X35-8.8

FARMER 312 (199/00001-03500)
11099



Item	Part Number	Qty	Description Comments	Technical Specification
1	72356732	1	FOOT LEVER	
2	72317146	1	LOCK WASHER	DIN6799-12-A3L
3	72394196	1	CARRIER	
4	72310596	2	BUSH	
5	72315054	1	SPLIT WASHER	FWN 65208-10-A3L
6	72313272	1	NUT	DIN 934 M10-8A3L
7	72311180	2	DUO-CLIP	8 SXN10
8	72395891	1	ROD	
9	72316916	1	CABLE STRAP	FWN 66650 B175X4-SW
10	72377280	1	BELLOWS	
11	72316306	1	BALL SOCKET	13SXN03R
12	72311788	2	DISC	DIN 125-8,4-ST.A3L
13	72312621	1	HOOK	
14	72313269	2	NUT	DIN 934 M8-8C2A
15	72394186	1	PULLING SPRING	
16	72315630	1	HEXAGONAL HEAD BOLT	DIN 933 M6X18-8.8A3L
17	72313266	1	NUT	DIN 934 M6-8A3L
18	72313318	1	NUT	DIN6925-M6-8-A3L
19	72357081	1	LEVER	
20	72357761	1	BEARING	
21	72393653	2	BUSH	
22	72395892	1	PLATE LINK	
23	72375133	1	TENSIONING PIN	ISO8752-4X24-A-ST-OB3
25	72396323	1	ROD	
26	72380877	1	ROTARY SWITCH	
27	72394364	1	THREADED PLATE	
28	72396322	1	ANGLE	
29	72315621	3	HEXAGONAL HEAD BOLT	DIN 933 M5X12-8.8A3L
30	72315051	3	SPLIT WASHER	FWN 65208-5-A3L
31	72375277	1	ANGLE JOINT	DIN71802 AS13 SW11-A3L
32	72333529	2	CABLE CLAMP	
33	72450805	1	ROPE 1X 450 MM CUT TO LENGTH	L=1000 DIN 3055-2-FE-ZNK 15
34	72348661	1	ENGINE BRAKE	
35	72407298	2	MOLDED SEAL	
36	72315534	3	HEXAGONAL HEAD BOLT	DIN 931 M8 X 70-8.8
37	72313269	3	NUT	DIN 934 M8-8C2A
38	72313879	1	COTTER	DIN 94-5X20-ST.A3L
39	72314785	1	PLUG IN SLEEVE	
	72314686	2	PLUG IN SLEEVE	
40			NO LONGER AVAILABLE	
41	72316916	2	CABLE STRAP	FWN 66650 B175X4-SW
42	72379227	1	CABLE CONNECTOR	
43	72311254	1	PIPE CLAMP	
44	72316492	1	PULLING SPRING	
46	72316071	2	BUSHING INSULATOR	
50	72313853	1	BALL PIN	DIN 71803-C13-ST-A3L

FARMER 312 (199/00001-03500)
4583



4583



Suggest:

For more complete manuals. Please go to the home page.

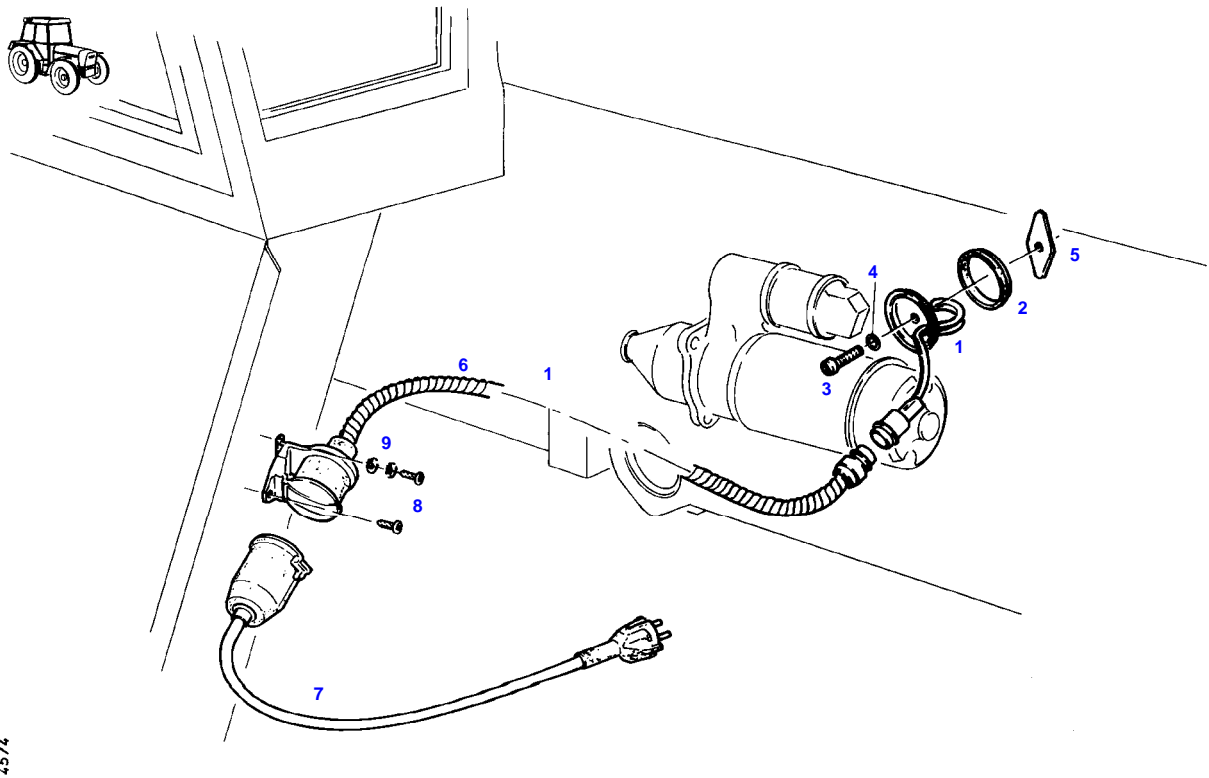
<https://www.ebooklibonline.com>

If the above button click is invalid. Please download this document first, and then click the above link to download the complete manual.

Thank you so much for reading

Item	Part Number	Qty	Description Comments	Technical Specification
1	72433489	1	ROD FLAME GLOW PLUG ><1-3	
2	72317119	1	SPRING WASHER	DIN 137 B5-MECH.VZK
3	72313264	1	NUT	DIN 934 M5-8A3L
4	72377312	1	DOUBLE V-RING	DIN 3862-6-9SMNPB28K+G
5	72378005	1	CONNECTING NUT	DIN 3870 ALL6-9S20K A3L
6	72357338	1	PIPE	
7	72317090	1	VALVE SOLENOID	
8	72315629	1	HEXAGONAL HEAD BOLT	DIN 933 M6 X 12-8.8A3L
9	72317120	1	SPRING WASHER	DIN 137 B6-MECH.VZK
10	72315806	2	BANJO BOLT	DIN 7643-6-3-A3L
11	72315088	4	SEALING WASHER	DIN 7603 A10X13,5-CU
12	72357734	1	LINE	
15	72381038	1	TEMPERATURE TRANSMITTER	
16	72315094	1	SEALING WASHER	DIN 7603 A14X18-CU
17	72381043	1	INTAKE MANIFOLD HEATER	
18	72397272	1	ANGLE	
19	72315820	2	SCREW	DIN7976-ST6,3X13-C-A3L
20	72315629	2	HEXAGONAL HEAD BOLT	DIN 933 M6 X 12-8.8A3L
21	72311787	2	DISC	DIN 125-6,4-ST.A3L
22	72315052	2	SPLIT WASHER	FWN 65208-6-A3L
23	72313266	2	NUT	DIN 934 M6-8A3L
24	72316916	1	CABLE STRAP	FWN 66650 B175X4-SW

FARMER 312 (199/00001-03500)
4574



<https://www.ebooklibonline.com>

Hello dear friend!

Thank you very much for reading.

Enter the link into your browser.

The full manual is available for immediate download.

<https://www.ebooklibonline.com>