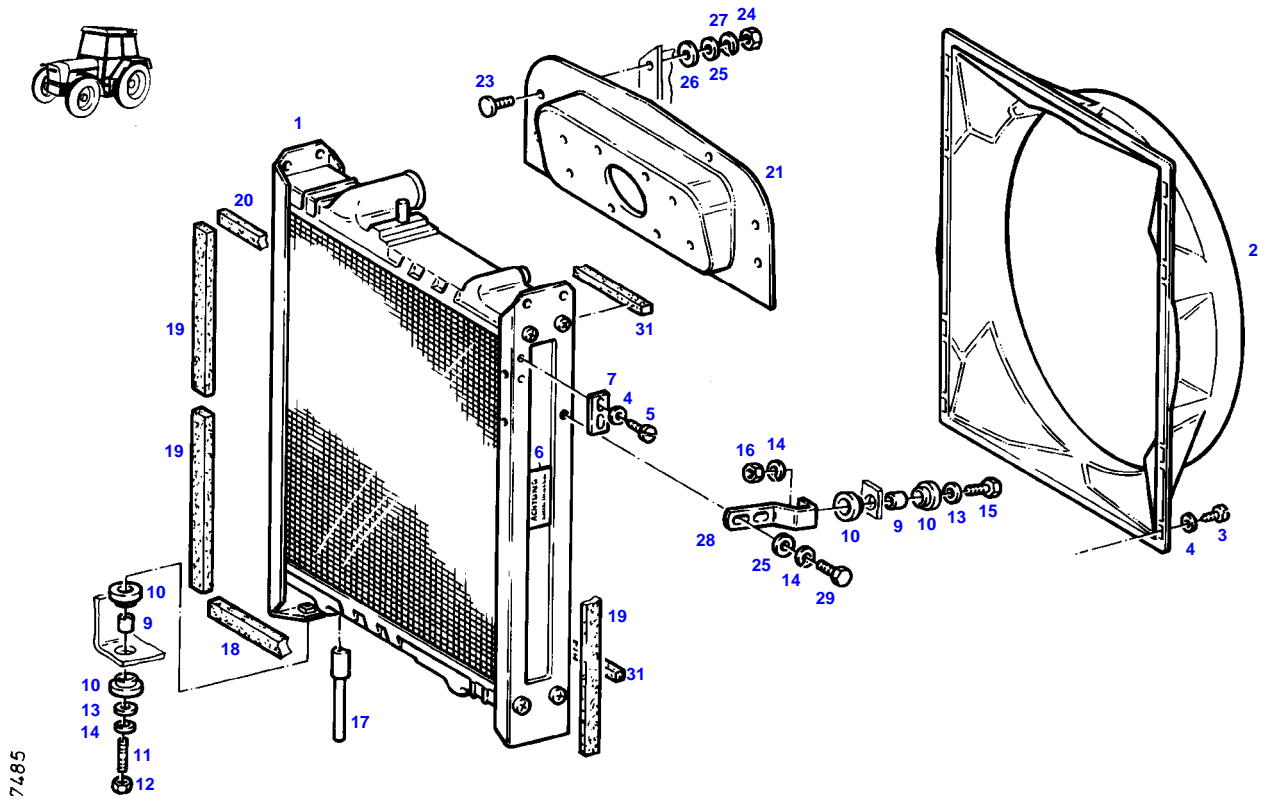


**TABLE OF CONTENT**

<b>Page Number</b>	<b>Page Title</b>	<b>Page Reference</b>
01-000-TOC	ENGINE, FUEL AND EXHAUST SYSTEM	01-000-TOC
02-000-TOC	AXLES	02-000-TOC
03-000-TOC	STEERING SYSTEM	03-000-TOC
04-000-TOC	DRIVE TRAIN SYSTEM	04-000-TOC
05-000-TOC	COMPRESSED AIR SYSTEM	05-000-TOC
06-000-TOC	HYDRAULIC SYSTEM	06-000-TOC
07-000-TOC	ELECTRICAL SYSTEM	07-000-TOC
08-000-TOC	CAB	08-000-TOC
09-000-TOC	AIR CONDITIONING AND HEATING SYSTEM	09-000-TOC
10-000-TOC	CHASSIS	10-000-TOC
11-000-TOC	WHEELS	11-000-TOC
12-000-TOC	IMPLEMENT LIFT SYSTEM FRONT	12-000-TOC
13-000-TOC	IMPLEMENT LIFT SYSTEM REAR	13-000-TOC
14-000-TOC	FRONT/REAR LOADERS	14-000-TOC
15-000-TOC	ACCESSORIES	15-000-TOC

FARMER 311 (198/07701-99999)  
7485



7485

Item	Part Number	Qty	Description Comments	Technical Specification
			<-- 198/20001	
1	72348783	1	RADIATOR ><1	
	72436126	1	DRAIN PLUG	
2	72410558	1	FAN COVER	
3	72315818	8	SCREW	DIN7976-ST4,2X25-C-A3L
4	72311817	12	DISC	DIN9021-4,3-140HV-A3L
5	72374965	4	SCREW	DIN7976-ST4,2X9,5-C-A3L
6	72379109	1	MARKING PLATE	FWN66556-35X68-SCHUTZVORR.N.OE
7	72397311	1	ANGLE	
9	72310718	4	BUSH	
10	72312479	8	UNIVERSAL SPOUT	
11	72313772	2	STUD BOLT	DIN 939 M8X30-8.8
12	72313320	2	NUT	DIN6925-M8-8-A3L
13	72311824	4	DISC	DIN9021-8,4-140HV-A3L
14	72315053	4	SPLIT WASHER	FWN 65208-8-A3L
15	72315660	2	HEXAGONAL HEAD BOLT	DIN 933 M8X35-8.8A3L
16	72313268	2	NUT	DIN 934 M8-8A3L
17	72397310	1	DRAINAGE PIPING	
18	72310182	1	STRAP	
19	72397315	4	STRAP	
20	72397316	1	STRAP	
21	72397306	1	BARRIER WALL	
23	72373806	5	TRUSS HEAD SCREW	DIN 603 M6X16-A3L
24	72313266	5	NUT	DIN 934 M6-8A3L
25	72311787	7	DISC	DIN 125-6,4-ST.A3L
26	72311788	5	DISC	DIN 125-8,4-ST.A3L
27	72315052	5	SPLIT WASHER	FWN 65208-6-A3L
28	72397309	2	HOLDER	
29	72315642	4	HEXAGONAL HEAD BOLT	DIN 933 M8 X 16-8.8A3L
31	72450560	1	SEALING STRIP 2X 470MM CUT TO LENGTH	

**<https://www.ebooklibonline.com>**

Hello dear friend!

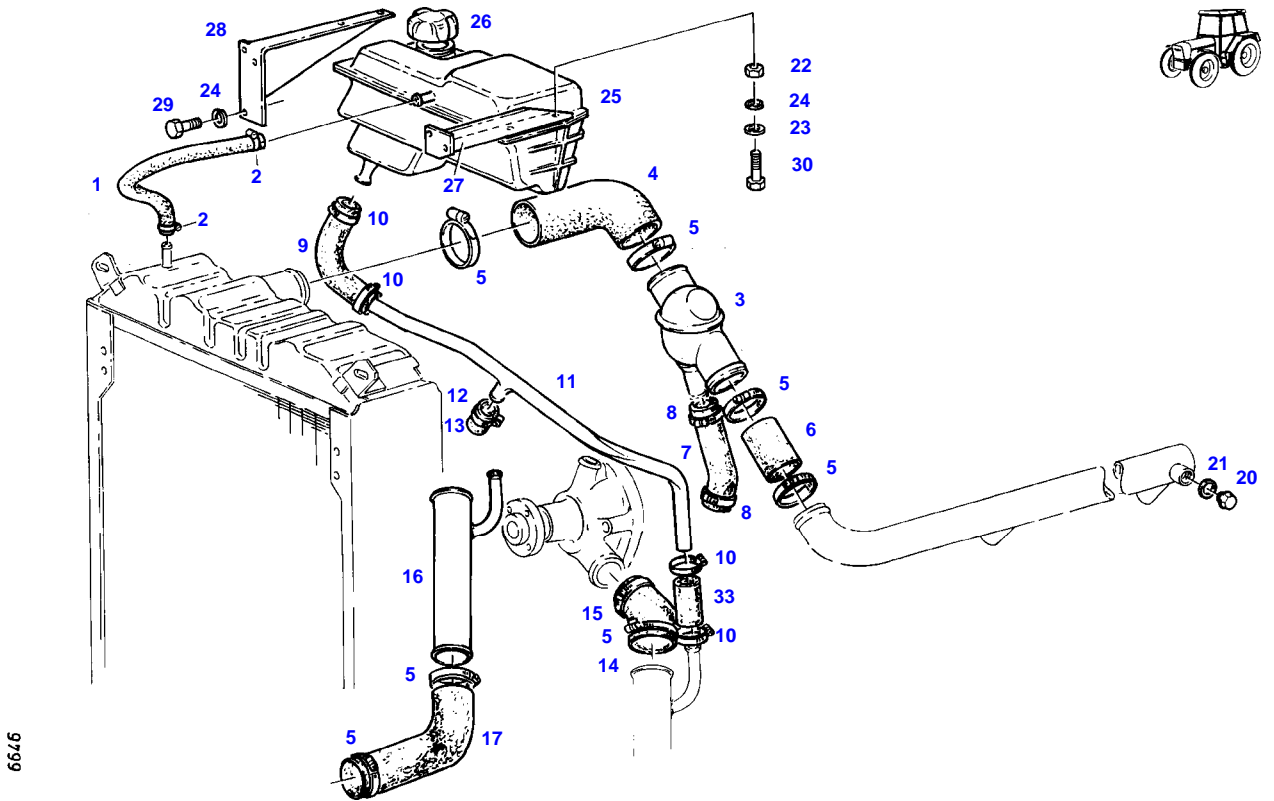
Thank you very much for reading.

Enter the link into your browser.

The full manual is available for immediate download.

**<https://www.ebooklibonline.com>**

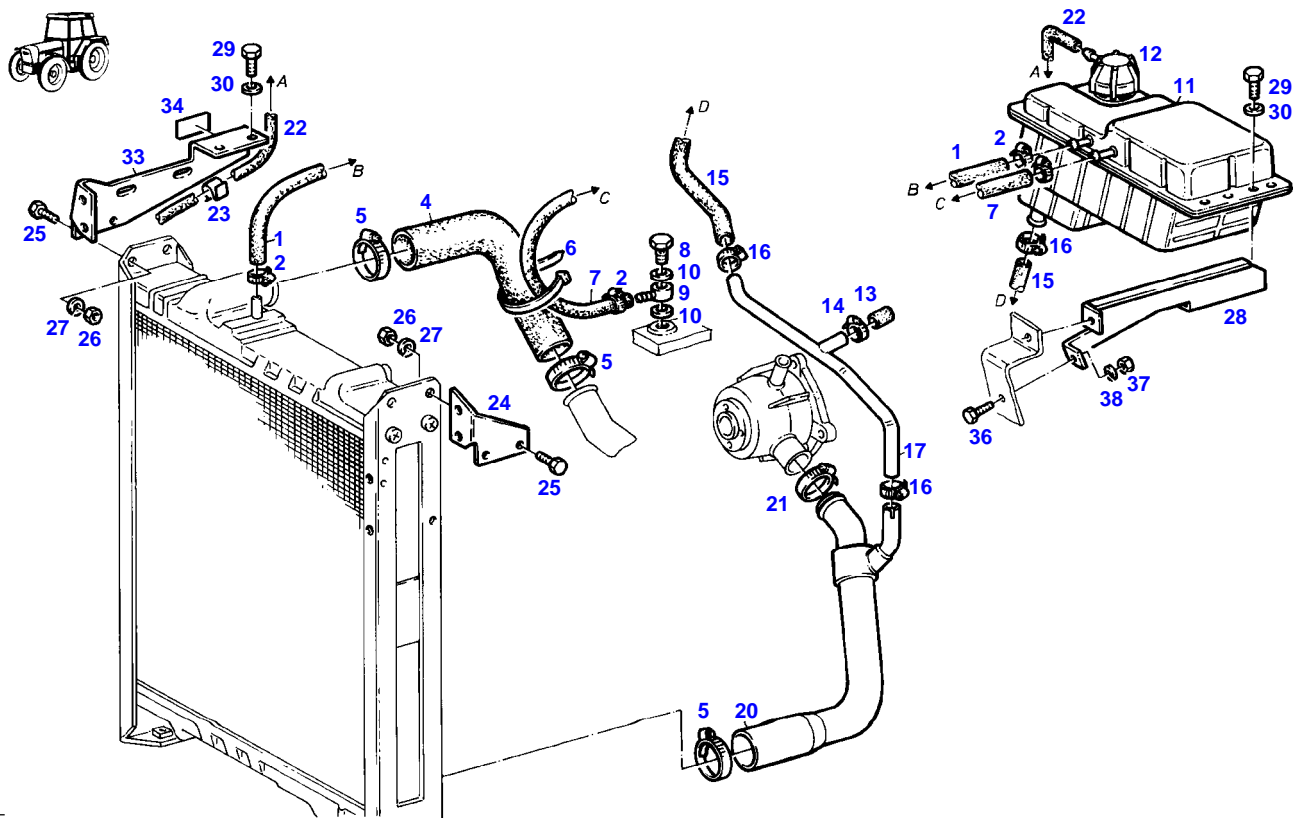
FARMER 311 (198/07701-99999)  
6646



9799

Item	Part Number	Qty	Description Comments	Technical Specification
			--> 198/20000	
1	72622024	1	PRESSURE HOSE 300 MM CUT TO LENGTH	L=0,50M 8X3,5-FWN65911
2	72438345	2	HOSE CLIP	
3	72456610	1	THERMOSTAT	
	72343978	1	THERMOSTAT 85 C	
4	72396343	1	RUBBER ARCH	
5	72311163	7	HOSE CLIP	
6	72450417	1	HOSE 60 MM CUT TO LENGTH	L=100 DIN73411-45X5 R
7	72397284	1	RUBBER ARCH	
8	72311167	2	HOSE CLIP	
9	72396345	1	RUBBER ARCH	
10	72311166	4	HOSE CLIP	
11	72357745	1	PIPE	
12	72311166	1	HOSE CLIP	
13	72404925	1	CAP	
14	72397283	1	RUBBER ARCH	
15	72311162	1	HOSE CLIP	
16	72357747	1	SUCTION LINE	
17	72396357	1	RUBBER ARCH	
20	72315802	1	SCREW	DIN 7604 AM22X1,5-ST
21	72315101	2	SEALING WASHER	DIN 7603 A22X27-CU
22	72313266	4	NUT	DIN 934 M6-8A3L
23	72311822	1	DISC	DIN9021-6,4-140HV-A3L
24	72315052	8	SPLIT WASHER	FWN 65208-6-A3L
25	72316897	1	EXPANSION TANK <>	
	72438345	1	HOSE CLIP	
	72409370	1	CAP	
26	72348672	1	COLLER LOCKING	
27	72396353	1	RETAINER	
28	72396355	1	RETAINER	
29	72315629	4	HEXAGONAL HEAD BOLT	DIN 933 M6 X 12-8.8A3L
30	72315820	4	SCREW	DIN7976-ST6,3X13-C-A3L
33	72450412	1	HOSE 1X 50MM CUT TO LENGTH	L=1000 18X3,5 R DIN 73411

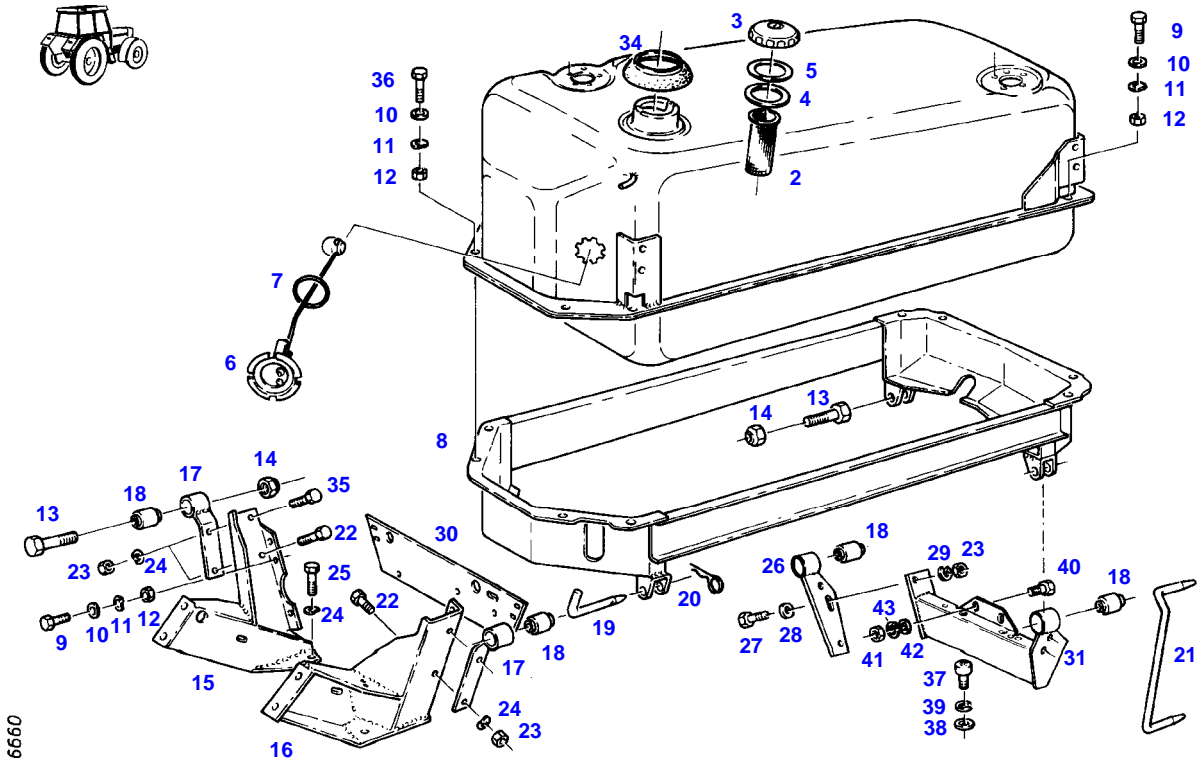
FARMER 311 (198/07701-99999)  
7486



7486

Item	Part Number	Qty	Description Comments	Technical Specification
			<-- 198/20001	
1	72622024	1	PRESSURE HOSE 220 MM CUT TO LENGTH	L=0,50M 8X3,5-FWN65911
2	72438345	4	HOSE CLIP	
4	72397313	1	RUBBER ARCH	
5	72311170	3	HOSE CLIP	
6	72316915	1	CABLE STRAP	FWN 66650 B290X4,8-SW
7	72450289	1	PRESSURE HOSE 540 MM CUT TO LENGTH	L=550 FWN 66041-M4
8	72315806	1	BANJO BOLT	DIN 7643-6-3-A3L
9	72377528	1	RING HOSE NIPPLE	FWN65910-A-DN4
10	72315088	2	SEALING WASHER	DIN 7603 A10X13,5-CU
11	72316897	1	EXPANSION TANK	
12	72310924	1	COLLER LOCKING	
13	72404925	1	CAP	
14	72311166	1	HOSE CLIP	
15	72435840	1	HOSE ARCH	
16	72311166	3	HOSE CLIP	
17	72357764	1	PIPE	
20	72397314	1	COOLANT LINE	
21	72311162	1	HOSE CLIP	
22	72442422	1	HOSE 1100 MM CUT TO LENGTH	L=1500MM
23	72312049	3	HOSE RETAINER	
24	72397308	1	RETAINER	
25	72315642	2	HEXAGONAL HEAD BOLT	DIN 933 M8 X 16-8.8A3L
26	72313268	6	NUT	DIN 934 M8-8A3L
27	72315053	6	SPLIT WASHER	FWN 65208-8-A3L
28	72397312	1	BRACKET	
29	72315821	4	SCREW	DIN7976-ST6,3X19-C-A3L
30	72311822	4	DISC	DIN9021-6,4-140HV-A3L
33	72423219	1	RETAINER	
34	72397318	1	MARKING PLATE	
36	72315629	1	HEXAGONAL HEAD BOLT	DIN 933 M6 X 12-8.8A3L
37	72313266	1	NUT	DIN 934 M6-8A3L
38	72315052	1	SPLIT WASHER	FWN 65208-6-A3L

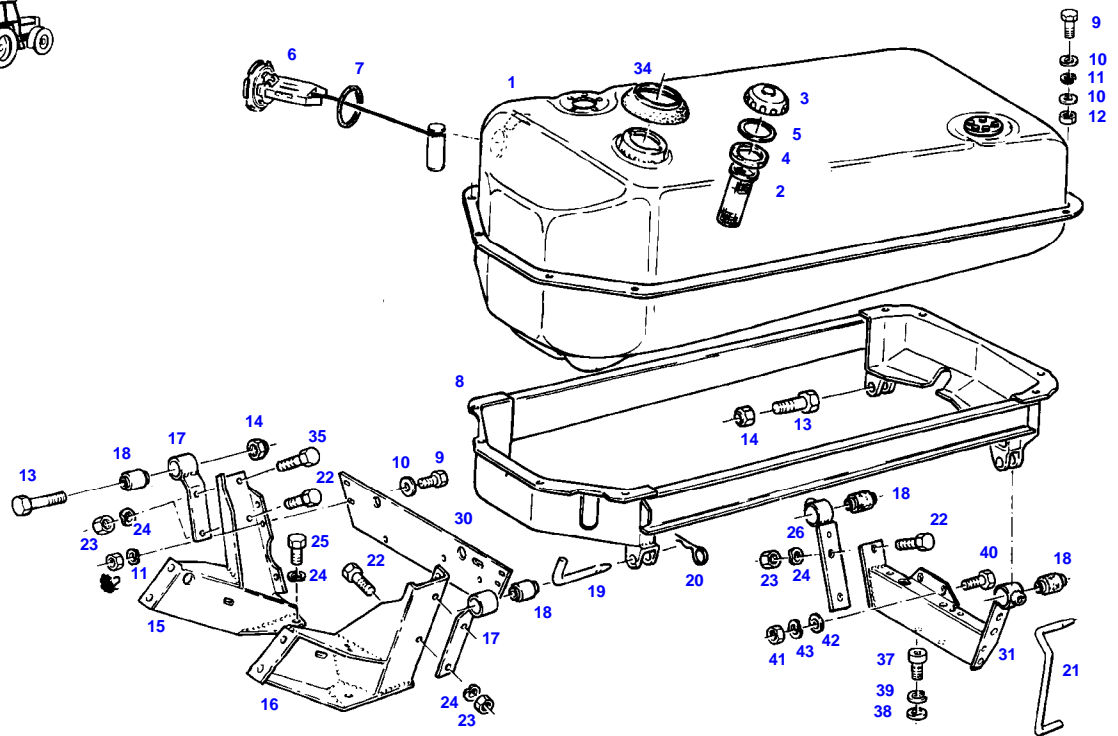
FARMER 311 (198/07701-99999)  
6660



0999

Item	Part Number	Qty	Description Comments	Technical Specification
			--> 198/20000	
1	72357751	1	FUEL TANK <>	
	72315619	10	HEXAGONAL HEAD BOLT	DIN 933 M5X16-8.8A3L
	72409022	2	FLANGE	
	72376132	2	SEALING WASHER	
	72376017	10	SEALING WASHER	DIN 7603-A5X7,5-CU
2	72433112	1	STRAINER	60X100-MS
3	72380143	1	FUEL CAP KOEHLER ><4	M.BELUEF
	72348297	1	FUEL CAP LOCKABLE BLAU ><4+5	
4	72330725	1	SEAL BLAU	
	72312304	1	RUBBER SEAL KOEHLER	
5	72330726	1	SEAL	
6	72613427	1	FUEL LEVEL SENSOR ><7	
7	72315169	1	SEALING WASHER	
8	72357719	1	TANK FRAME	
9	72315626	10	HEXAGONAL HEAD BOLT	DIN 933-M6 X 16-8.8-A3L
10	72311822	20	DISC	DIN9021-6,4-140HV-A3L
11	72317120	10	SPRING WASHER	DIN 137 B6-MECH.VZK
12	72313266	10	NUT	DIN 934 M6-8A3L
13	72315719	2	HEXAGONAL HEAD BOLT	DIN 933 M12X60-8.8A3L
14	72313325	2	NUT	DIN 980-VM12-8-A3L
15	72355440	1	BRACKET	
16	72355441	1	BRACKET	
17	72357100	2	BEARING	
18	72310644	4	RUBBER BUSHING	
19	72404932	2	BEARING PIN	
20	72311183	2	HAIR COTTER PIN	DIN 11024-4-A3L
21	72404936	1	BEARING PIN	
22	72315653	3	HEXAGONAL HEAD BOLT	DIN 933 M8 X 25-8.8A3L
23	72313268	6	NUT	DIN 934 M8-8A3L
24	72317121	10	SPRING WASHER	DIN 137 B8-MECH.VZK
25	72315642	6	HEXAGONAL HEAD BOLT	DIN 933 M8 X 16-8.8A3L
26	72357749	1	SUPPORT ARM	
27	72315660	2	HEXAGONAL HEAD BOLT	DIN 933 M8X35-8.8A3L
28	72311824	2	DISC	DIN9021-8,4-140HV-A3L
29	72315053	2	SPLIT WASHER	FWN 65208-8-A3L
30	72395911	1	SHEET METAL	
31	72357748	1	CROSSMEMBER	
34	72397269	1	SLEEVE	
35	72315657	1	HEXAGONAL HEAD BOLT	DIN 933 M8 X 30-8.8A3L
36	72315631	2	HEXAGONAL HEAD BOLT	DIN 933 M6 X 20-8.8A3L
37	72374066	2	SOCKET HEAD BOLT	DIN 912 M12X20-8.8
38	72311804	2	DISC	DIN 433-13-ST.A3L
39	72375473	2	SPLIT WASHER	FWN65237-12-A3L
40	72315689	2	HEXAGONAL HEAD BOLT	DIN 933 M10X35-8.8A3L
41	72313272	2	NUT	DIN 934 M10-8A3L
42	72311789	2	DISC	DIN 125-10,5-ST.A3L
43	72317122	2	SPRING WASHER	DIN 137 B10-MECH.VZK

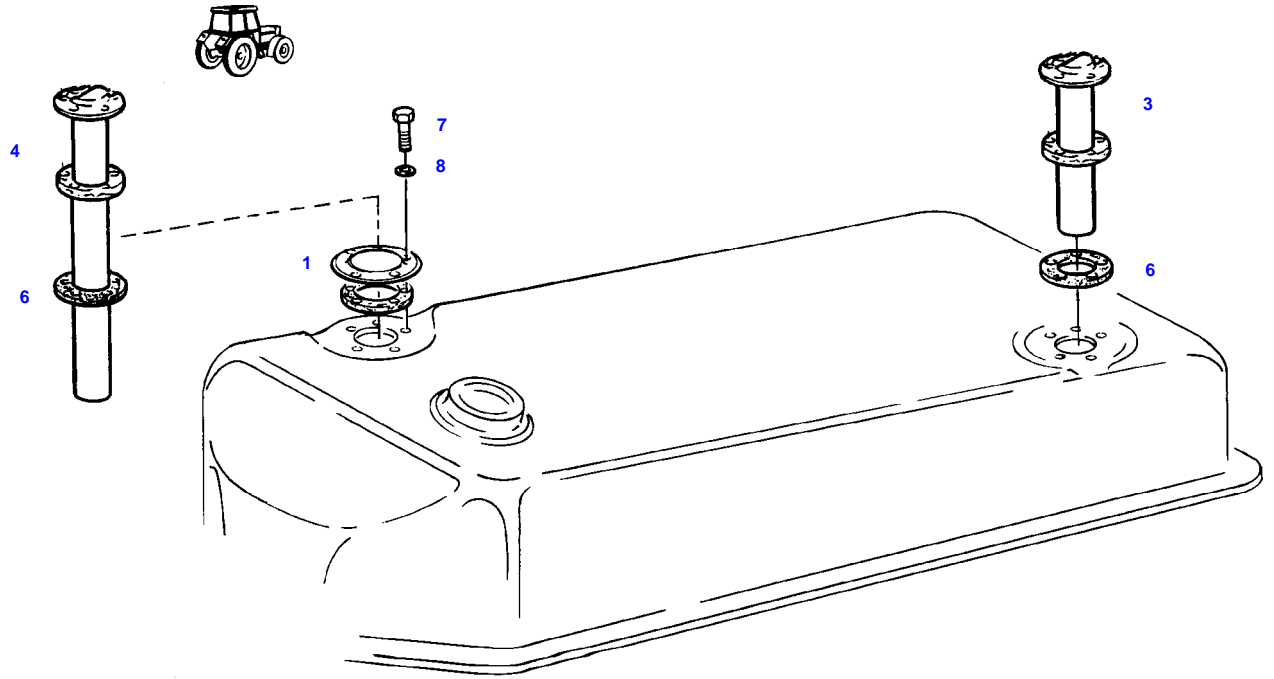
FARMER 311 (198/07701-99999)  
7754



7754

Item	Part Number	Qty	Description Comments	Technical Specification
			<-- 198/20001	
1	72357751	1	FUEL TANK <>	
	72376132	2	SEALING WASHER	
	72315619	10	HEXAGONAL HEAD BOLT	DIN 933 M5X16-8.8A3L
	72376017	10	SEALING WASHER	DIN 7603-A5X7,5-CU
	72409022	2	FLANGE	
2	72433112	1	STRAINER	60X100-MS
3	72380143	1	FUEL CAP KOEHLER >>4	M.BELUEF
	72348297	1	FUEL CAP LOCKABLE BLAU >>4+5	
4	72330725	1	SEAL BLAU	
	72312304	1	RUBBER SEAL KOEHLER	
5	72330726	1	SEAL	
6	72613427	1	FUEL LEVEL SENSOR >>7	
7	72315169	1	SEALING WASHER	
8	72357767	1	TANK FRAME	
9	72315626	13	HEXAGONAL HEAD BOLT	DIN 933-M6 X 16-8.8-A3L
10	72311822	20	DISC	DIN9021-6,4-140HV-A3L
11	72317120	13	SPRING WASHER	DIN 137 B6-MECH.VZK
12	72313266	13	NUT	DIN 934 M6-8A3L
13	72315719	2	HEXAGONAL HEAD BOLT	DIN 933 M12X60-8.8A3L
14	72313325	2	NUT	DIN 980-VM12-8-A3L
15	72355440	1	BRACKET	
16	72355441	1	BRACKET	
17	72357100	2	BEARING	
18	72310644	4	RUBBER BUSHING	
19	72407288	2	BEARING PIN	
20	72311183	2	HAIR COTTER PIN	DIN 11024-4-A3L
21	72393681	1	BEARING PIN	
22	72315653	5	HEXAGONAL HEAD BOLT	DIN 933 M8 X 25-8.8A3L
23	72313268	4	NUT	DIN 934 M8-8A3L
24	72317121	10	SPRING WASHER	DIN 137 B8-MECH.VZK
25	72315642	6	HEXAGONAL HEAD BOLT	DIN 933 M8 X 16-8.8A3L
26	72357768	1	SUPPORT ARM	
30	72397321	1	SHEET METAL	
31	72357771	1	CROSSMEMBER	
34	72397269	1	SLEEVE	
35	72315657	1	HEXAGONAL HEAD BOLT	DIN 933 M8 X 30-8.8A3L
37	72374066	2	SOCKET HEAD BOLT	DIN 912 M12X20-8.8
38	72311804	2	DISC	DIN 433-13-ST.A3L
39	72375473	2	SPLIT WASHER	FWN65237-12-A3L
40	72315689	2	HEXAGONAL HEAD BOLT	DIN 933 M10X35-8.8A3L
41	72313272	2	NUT	DIN 934 M10-8A3L
42	72311789	2	DISC	DIN 125-10,5-ST.A3L
43	72317122	2	SPRING WASHER	DIN 137 B10-MECH.VZK

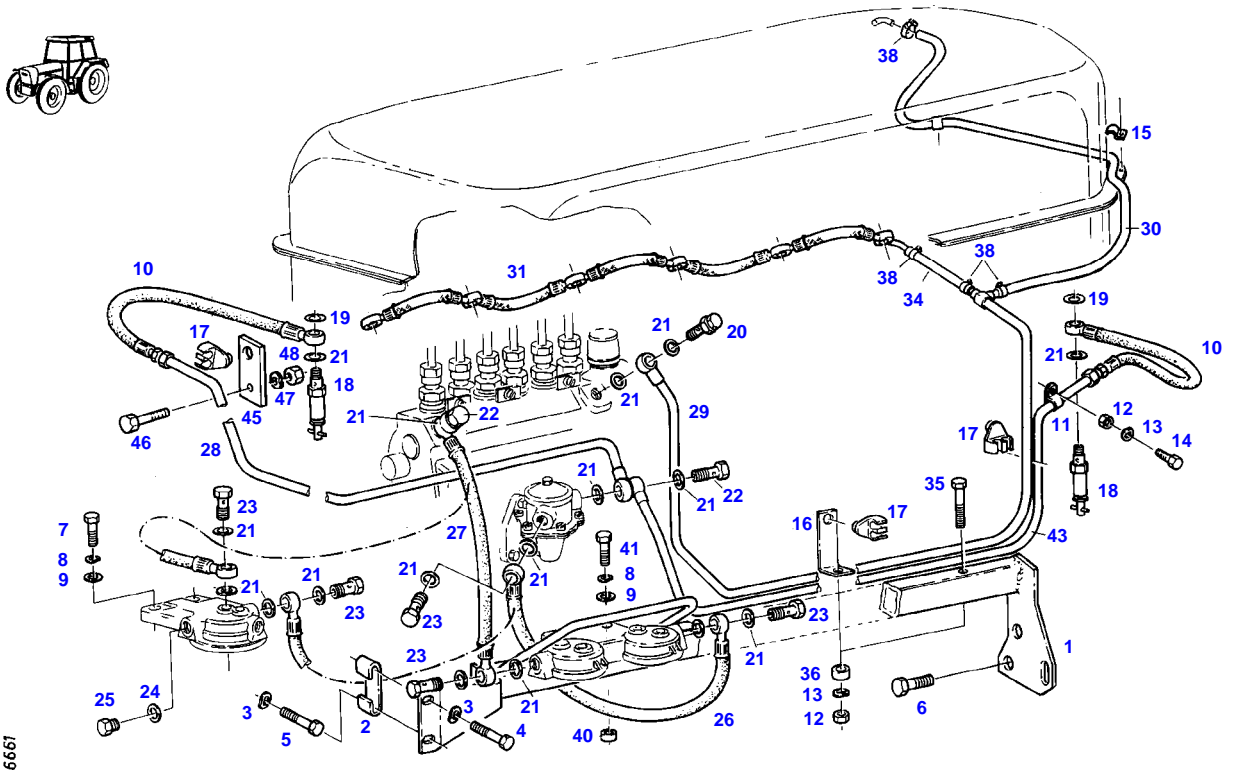
FARMER 311 (198/07701-99999)  
6662



6662

Item	Part Number	Qty	Description Comments	Technical Specification
			--> 198/20000	
1	72409022	2	FLANGE	
3	72380155	1	FUEL LEVEL SENSOR BOARD COMPUTER	
4	72380154	1	FUEL LEVEL SENSOR BOARD COMPUTER	
6	72376132	2	SEALING WASHER	
7	72315619	10	HEXAGONAL HEAD BOLT	DIN 933 M5X16-8.8A3L
8	72376017	10	SEALING WASHER	DIN 7603-A5X7,5-CU

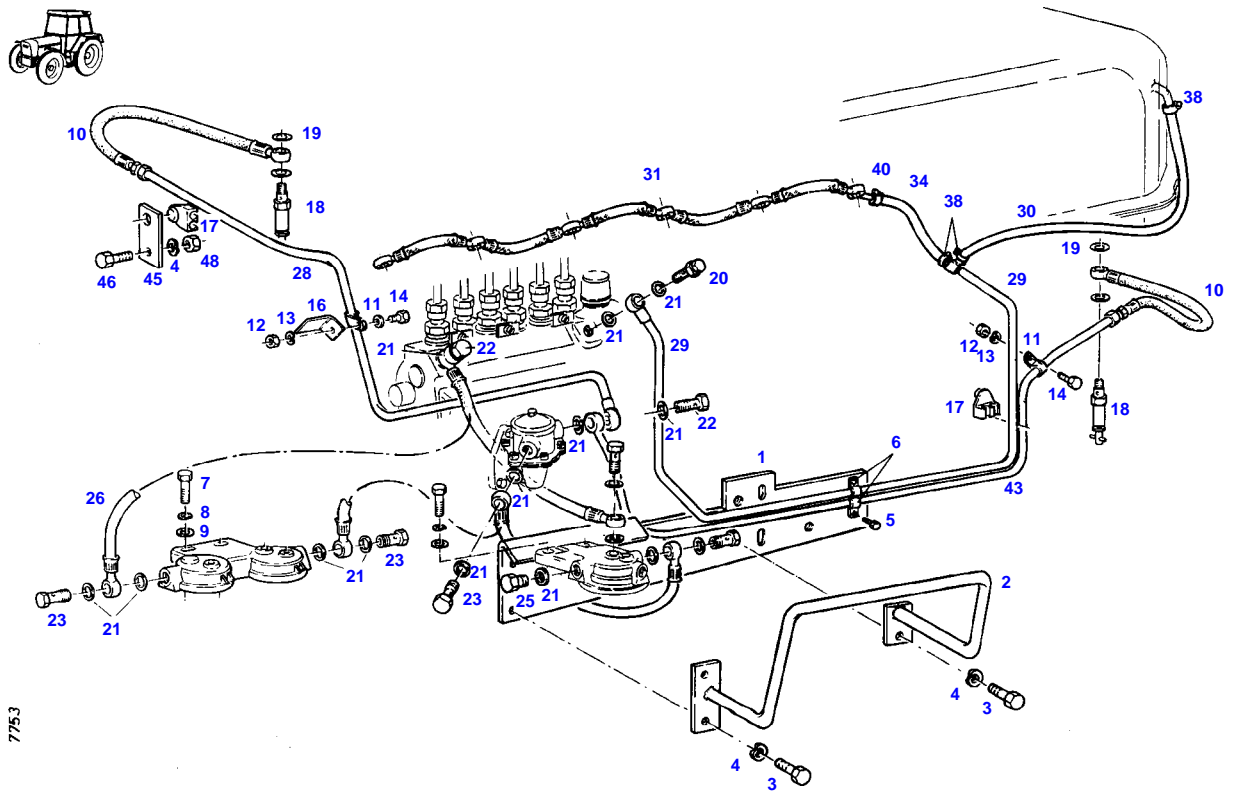
FARMER 311 (198/07701-99999)  
6661



6661

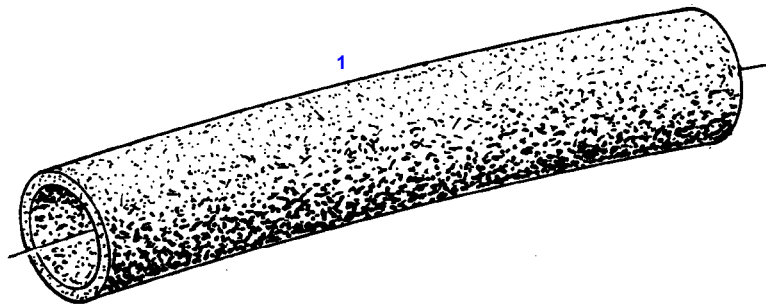
Item	Part Number	Qty	Description Comments	Technical Specification
			--> 198/20000	
1	72357314	1	RETAINER	
2	72399913	1	HOLDER	
3	72317122	2	SPRING WASHER	DIN 137 B10-MECH.VZK
4	72315689	1	HEXAGONAL HEAD BOLT	DIN 933 M10X35-8.8A3L
5	72315691	1	HEXAGONAL HEAD BOLT	DIN 933 M10X40-8.8A3L
6	72374493	2	HEXAGONAL HEAD BOLT	DIN 933 M14X30-8.8
	72374490	2	HEXAGONAL HEAD BOLT	DIN 933 M14X20-8.8
7	72315657	2	HEXAGONAL HEAD BOLT	DIN 933 M8 X 30-8.8A3L
8	72317121	2	SPRING WASHER	DIN 137 B8-MECH.VZK
9	72311824	1	DISC	DIN9021-8,4-140HV-A3L
10	72357312	2	HOSE LINE	
11	72311241	1	PIPE CLAMP	
12	72313266	4	NUT	DIN 934 M6-8A3L
13	72317120	4	SPRING WASHER	DIN 137 B6-MECH.VZK
14	72315626	1	HEXAGONAL HEAD BOLT	DIN 933-M6 X 16-8.8-A3L
15	72398941	2	FASTENING COLLAR	
16	72397270	1	ANGLE	
17	72379246	3	CABLE CLIP	
18	72380159	2	FUEL SHUT-OFF VALVE	
19	72315093	2	SEALING WASHER	DIN 7603 A12X18-CU
20	72380268	1	BLEED AND DRAIN VALVE	
21	72315095	12	SEALING WASHER	DIN 7603 A14X20-CU
22	72310187	2	DOUBLE BOLT	
23	72315808	3	BANJO BOLT	DIN 7643-10-3-A3L
24	72315095	4	SEALING WASHER	DIN 7603 A14X20-CU
25	72315799	2	PLUG	DIN 7604 AM14X1,5-A3L
26	72356760	1	FUEL LINE	
27	72355537	1	FUEL LINE	
28	72357772	1	TUBING	
29	72357724	1	LEAKAGE OIL LINE	
30	72435830	1	PRESSURE HOSE 1100 MM CUT TO LENGTH	L=2100
31	72343884	1	LEAKAGE OIL LINE	
34	72450301	1	PRESSURE HOSE 350 MM CUT TO LENGTH	L=1000
35	72315639	1	HEXAGONAL HEAD BOLT	DIN 933 M6X50-8.8A3L
36	72392713	1	BUSH	
37	72311822	1	DISC	DIN9021-6,4-140HV-A3L
38	72438345	4	HOSE CLIP	
40	72311848	2	DISC	
41	72315660	2	HEXAGONAL HEAD BOLT	DIN 933 M8X35-8.8A3L
43	72357313	1	TUBING	
45	72397285	1	PLATE LINK	
46	72315660	1	HEXAGONAL HEAD BOLT	DIN 933 M8X35-8.8A3L
47	72317121	1	SPRING WASHER	DIN 137 B8-MECH.VZK
48	72313268	1	NUT	DIN 934 M8-8A3L

FARMER 311 (198/07701-99999)  
7753



7753

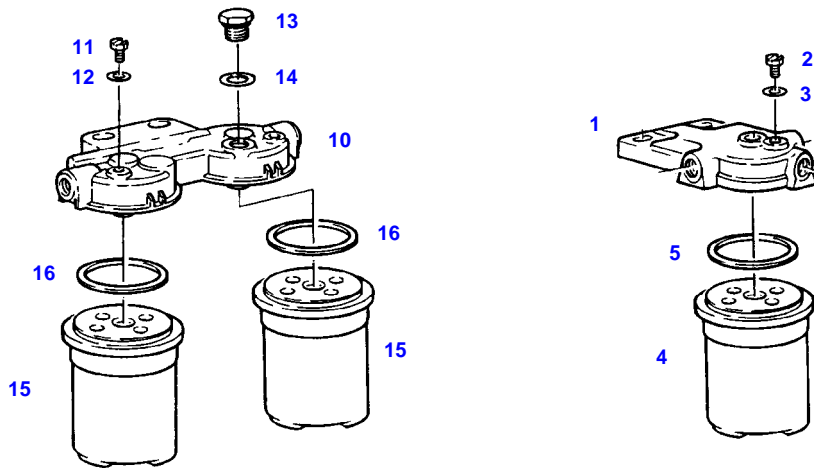
Item	Part Number	Qty	Description Comments	Technical Specification
			<-- 198/20001	
1	72357769	1	FILTER RETAINER	
2	72357782	1	PROTECTION BAR	
3	72315642	3	HEXAGONAL HEAD BOLT	DIN 933 M8 X 16-8.8A3L
4	72317121	3	SPRING WASHER	DIN 137 B8-MECH.VZK
5	72374968	2	SCREW	DIN7976-ST4,8X9,5-C-A3L
6	72373448	2	FASTENING COLLAR	DIN 72571-1X8-ST VZK
7	72315657	2	HEXAGONAL HEAD BOLT	DIN 933 M8 X 30-8.8A3L
8	72317121	2	SPRING WASHER	DIN 137 B8-MECH.VZK
9	72311824	2	DISC	DIN9021-8,4-140HV-A3L
10	72357312	2	HOSE LINE	
11	72311241	2	PIPE CLAMP	
12	72313266	2	NUT	DIN 934 M6-8A3L
13	72317120	2	SPRING WASHER	DIN 137 B6-MECH.VZK
14	72315626	2	HEXAGONAL HEAD BOLT	DIN 933-M6 X 16-8.8-A3L
16	72310597	1	MOUNTING ANGLE	
17	72379246	2	CABLE CLIP	
18	72380159	2	FUEL SHUT-OFF VALVE	
19	72315093	2	SEALING WASHER	DIN 7603 A12X18-CU
20	72380268	1	BLEED AND DRAIN VALVE	
21	72315095	18	SEALING WASHER	DIN 7603 A14X20-CU
22	72310187	2	DOUBLE BOLT	
23	72315808	3	BANJO BOLT	DIN 7643-10-3-A3L
25	72315799	2	PLUG	DIN 7604 AM14X1,5-A3L
26	72356760	2	FUEL LINE	
28	72357772	1	TUBING	
29	72357724	1	LEAKAGE OIL LINE	
30	72450301	1	PRESSURE HOSE 630 MM CUT TO LENGTH	L=1000
31	72343884	1	LEAKAGE OIL LINE	
34	72450301	1	PRESSURE HOSE 350 MM CUT TO LENGTH	L=1000
38	72438345	3	HOSE CLIP	
40	72438345	1	HOSE CLIP	
43	72357313	1	TUBING	
45	72397285	1	PLATE LINK	
46	72315660	1	HEXAGONAL HEAD BOLT	DIN 933 M8X35-8.8A3L
48	72313268	1	NUT	DIN 934 M8-8A3L



8555

Item	Part Number	Qty	Description Comments	Technical Specification
			<b>RAPE SEED OIL METHYLATED ESTER</b>	
1	72436293	1	HEAT SHRINK TUBING 1X 2500 MM CUT TO LENGTH	L=2600
	72436294	X	HEAT SHRINK TUBING 1X 3000 MM CUT TO LENGTH	L=3100
	72436295	1	HEAT SHRINK TUBING 1X 2000 MM CUT TO LENGTH	L=2100

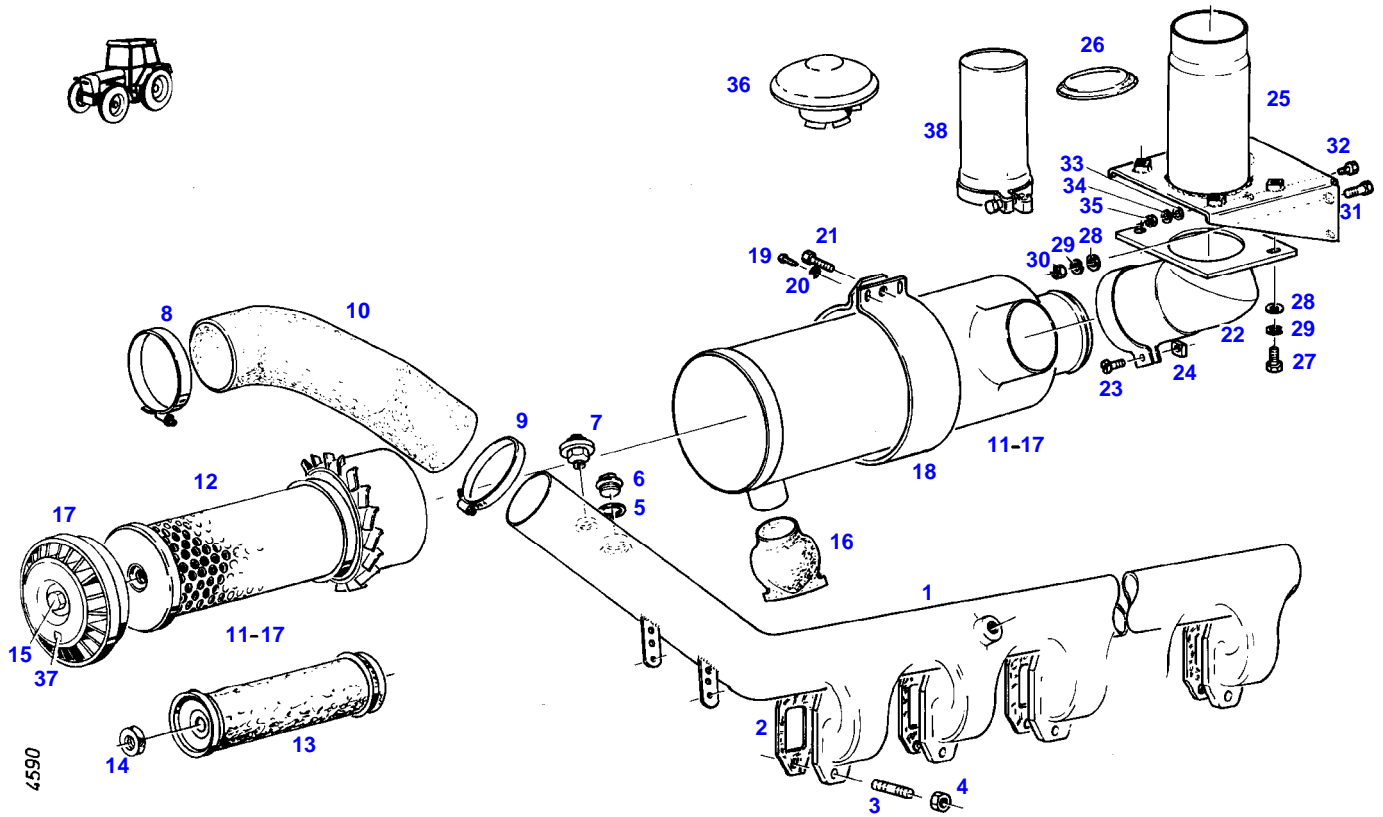
FARMER 311 (198/07701-99999)  
4952



4952

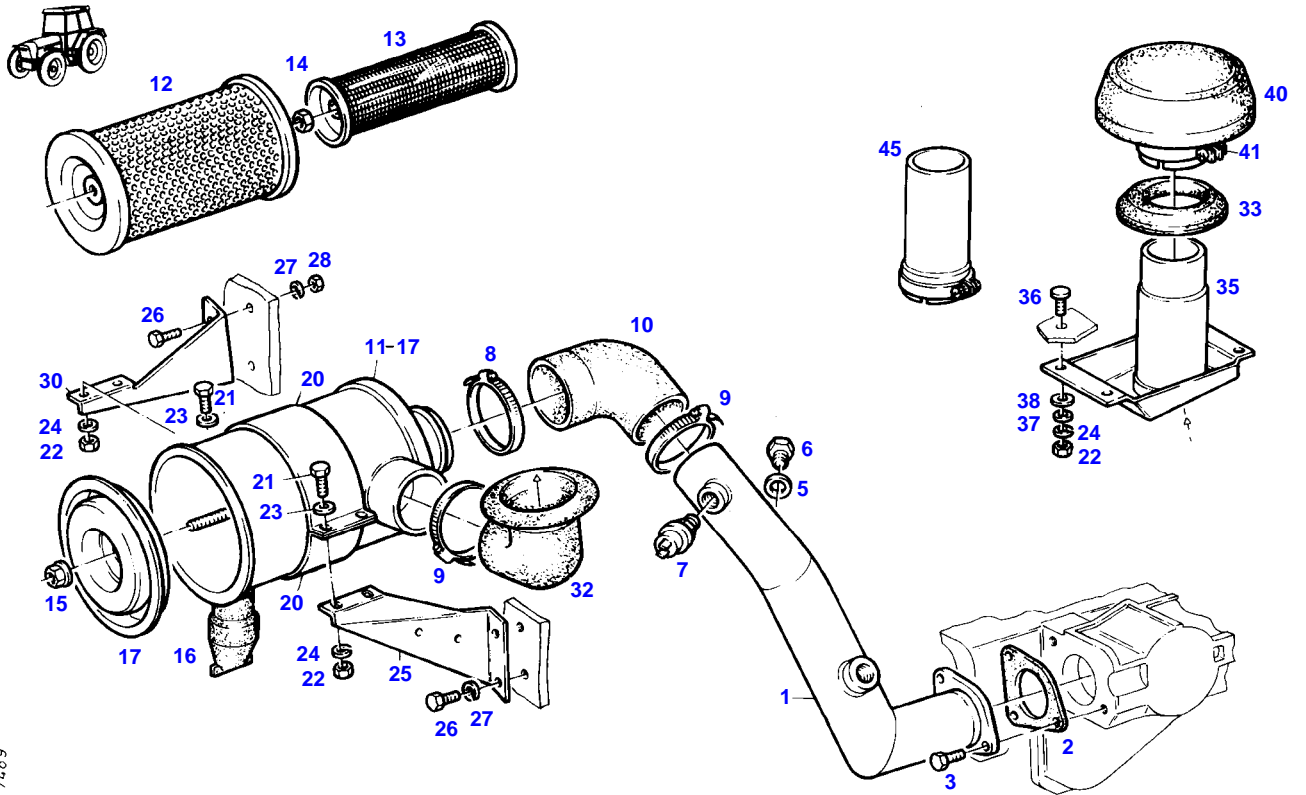
Item	Part Number	Qty	Description Comments	Technical Specification
1	72615599	1	FILTER LID ><2,3	
2	72323290	1	BLEED SCREW	
3	72315084	1	SEALING WASHER	DIN 7603 A6X10-CU
4	72416928	1	FILTER BOX ><5	
5	72314995	1	RUBBER RING PARALLEL-FILTER	
10	72380173	1	PARALLEL FILTER BOSCH ><11-16 <-- X810.190.166.000 1X <>	
	72416928	2	FILTER BOX	
	72451307	1	COVER KNECHT ><11,12 <>	PARALLELFILT.
	72416928	2	FILTER BOX	
11	72323290	2	BLEED SCREW BOSCH	
	72314699	2	BLEED SCREW KNECHT	
12	72315084	2	SEALING WASHER BOSCH	DIN 7603 A6X10-CU
	72315086	2	SEALING WASHER KNECHT	DIN 7603 A8X11,5-CU
13	72326250	1	SCREW BOSCH	
14	72315095	1	SEALING WASHER BOSCH	DIN 7603 A14X20-CU
15	72416928	2	FILTER BOX ><16	
16	72314995	2	RUBBER RING	

FARMER 311 (198/07701-99999)  
4590



Item	Part Number	Qty	Description Comments	Technical Specification
			<b>PICLON</b> --> 198/20000	
1	72357727	1	INTAKE MANIFOLD	
2	72332145	6	MOLDED SEAL	
3	72313776	12	STUD BOLT	DIN 939 M10X25-8.8
4	72373015	12	NUT	DIN70615-M10-8-A3B
5	72315101	1	SEALING WASHER	DIN 7603 A22X27-CU
6	72315802	1	SCREW	DIN 7604 AM22X1,5-ST
7	72316876	1	MAINTENANCE SWITCH	
8	72311172	1	HOSE CLIP	
9	72311171	1	HOSE CLIP	
10	72397271	1	RUBBER ARCH	
11	72348775	1	AIR FILTER MANN + HUMMEL ><12-17	
	72348775	1	AIR FILTER KNECHT ><12-17	
12	72332577	1	MICRO-TOP CARTRIDGE	
13	72332126	1	SAFETY CARTRIDGE	
14	72313299	1	NUT MANN + HUMMEL	DIN 936-M16X1,5-17H
	72372763	1	NUT KNECHT	DIN 439 BM16-04A3L
15	72339030	1	COLLAR NUT MANN + HUMMEL	
	72332977	1	FASTENING NUT KNECHT	
16	72332513	1	DUST DISCHARGE VALVE MANN + HUMMEL	
	72332975	1	VALVE KNECHT	
17	72332518	1	COVER MANN + HUMMEL	
	72332976	1	COVER KNECHT <-- G199.200.090.010	
18	72396306	1	CLAMP	
19	72315814	2	SCREW	DIN7976-ST4,8X16-F-A3L
20	72311785	2	DISC	DIN 125-5,3-ST.A3L
21	72315634	1	HEXAGONAL HEAD BOLT	DIN 933 M6X30-8.8A3L
22	72357729	1	PIPE BEND	
23	72374982	1	OVAL HEAD SCREW	DIN 7985 M6X25-4.8A3L
24	72372783	1	SQUARE NUT	DIN 557 M6-5 A3L
25	72357730	1	CONSOLE	
26	72396307	1	SEALING RING	
27	72315650	2	HEXAGONAL HEAD BOLT	DIN 933 M8 X 20-8.8A3L
28	72311788	4	DISC	DIN 125-8,4-ST.A3L
29	72315053	4	SPLIT WASHER	FWN 65208-8-A3L
30	72313268	2	NUT	DIN 934 M8-8A3L
31	72315642	2	HEXAGONAL HEAD BOLT	DIN 933 M8 X 16-8.8A3L
32	72315629	1	HEXAGONAL HEAD BOLT	DIN 933 M6 X 12-8.8A3L
33	72311787	1	DISC	DIN 125-6,4-ST.A3L
34	72315052	1	SPLIT WASHER	FWN 65208-6-A3L
35	72313266	1	NUT	DIN 934 M6-8A3L
36	72348784	1	RAIN CAP	
37	72391711	1	ABSORPTION INDICATOR	
38	72348666	1	CONNECTING PIPE	

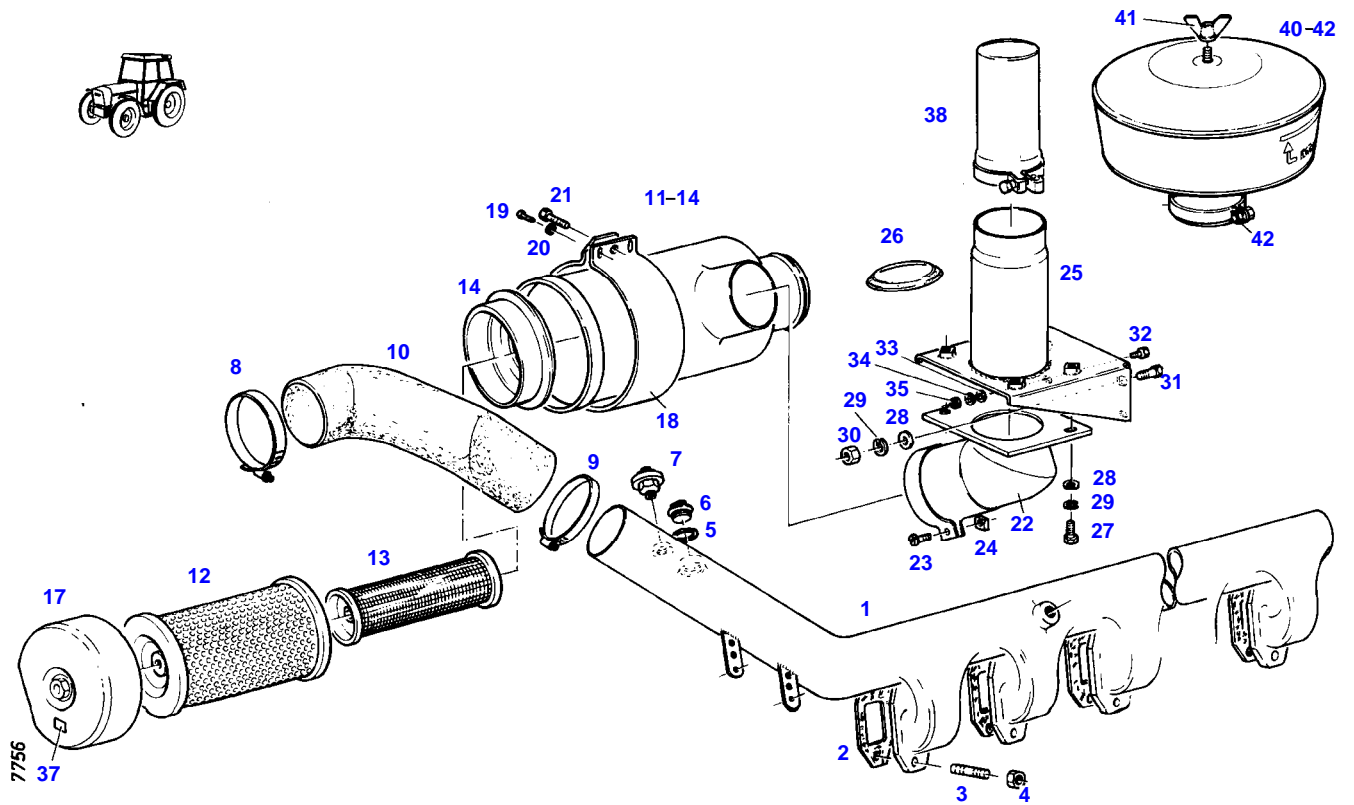
FARMER 311 (198/07701-99999)  
7489



7489

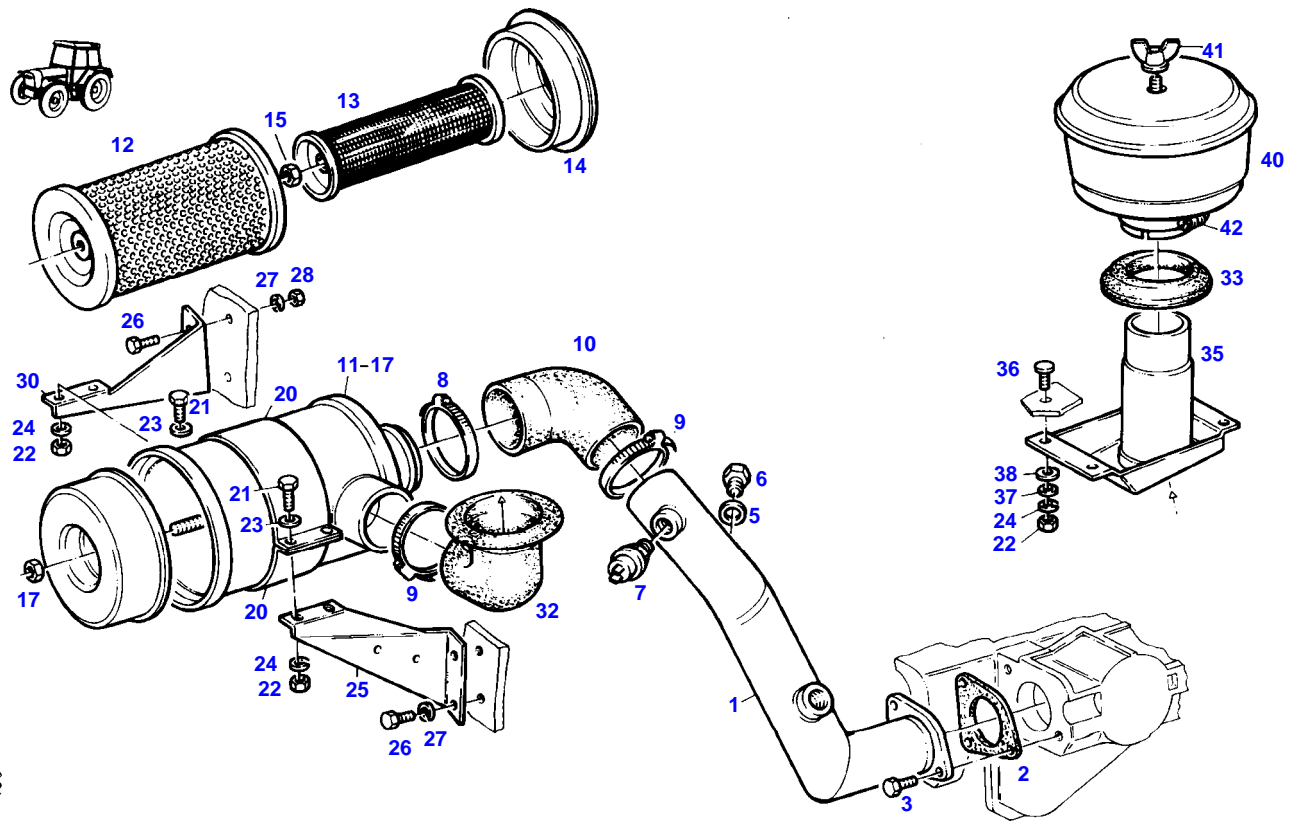
Item	Part Number	Qty	Description Comments	Technical Specification
			<b>PICLON</b> <-- 198/20001	
1	72357773	1	INTAKE MANIFOLD	
2	72397328	1	SEAL	
3	72315651	3	HEXAGONAL HEAD BOLT	DIN 933 M8X22-8.8A3L
5	72315101	1	SEALING WASHER	DIN 7603 A22X27-CU
6	72315802	1	SCREW	DIN 7604 AM22X1,5-ST
7	72316876	1	MAINTENANCE SWITCH	
8	72311172	1	HOSE CLIP	
9	72311171	2	HOSE CLIP	
10	72397327	1	RUBBER ARCH	
11	72348775	1	AIR FILTER MANN + HUMMEL ><12-17	
	72348775	1	AIR FILTER KNECHT ><12-17	
12	72332577	1	MICRO-TOP CARTRIDGE	
13	72332126	1	SAFETY CARTRIDGE	
14	72313299	1	NUT	DIN 936-M16X1,5-17H
	72372763	1	NUT MANN + HUMMEL KNECHT	DIN 439 BM16-04A3L
15	72339030	1	COLLAR NUT MANN + HUMMEL	
	72332977	1	FASTENING NUT KNECHT	
16	72332513	1	DUST DISCHARGE VALVE MANN + HUMMEL	
	72332975	1	VALVE KNECHT	
17	72332518	1	COVER MANN + HUMMEL	
	72332976	1	COVER KNECHT <-- G199.200.090.010	
20	72397325	2	CLAMP	
21	72315626	4	HEXAGONAL HEAD BOLT	DIN 933-M6 X 16-8.8-A3L
22	72313266	8	NUT	DIN 934 M6-8A3L
23	72311822	6	DISC	DIN9021-6,4-140HV-A3L
24	72315052	8	SPLIT WASHER	FWN 65208-6-A3L
25	72407293	1	RETAINER	
26	72315642	4	HEXAGONAL HEAD BOLT	DIN 933 M8 X 16-8.8A3L
27	72315053	4	SPLIT WASHER	FWN 65208-8-A3L
28	72313268	2	NUT	DIN 934 M8-8A3L
30	72407295	1	RETAINER	
32	72397326	1	BELLOWS	
33	72397329	1	SEALING RING	
35	72357774	1	AIR INTAKE	
36	72373809	4	TRUSS HEAD SCREW	DIN 603 M6X20-A3L
37	72311787	4	DISC	DIN 125-6,4-ST.A3L
38	72311788	4	DISC	DIN 125-8,4-ST.A3L
40	72348784	1	RAIN CAP ><41	
41	72333025	1	PIPE CLAMP	
45	72348666	1	CONNECTING PIPE	

FARMER 311 (198/07701-99999)  
7756



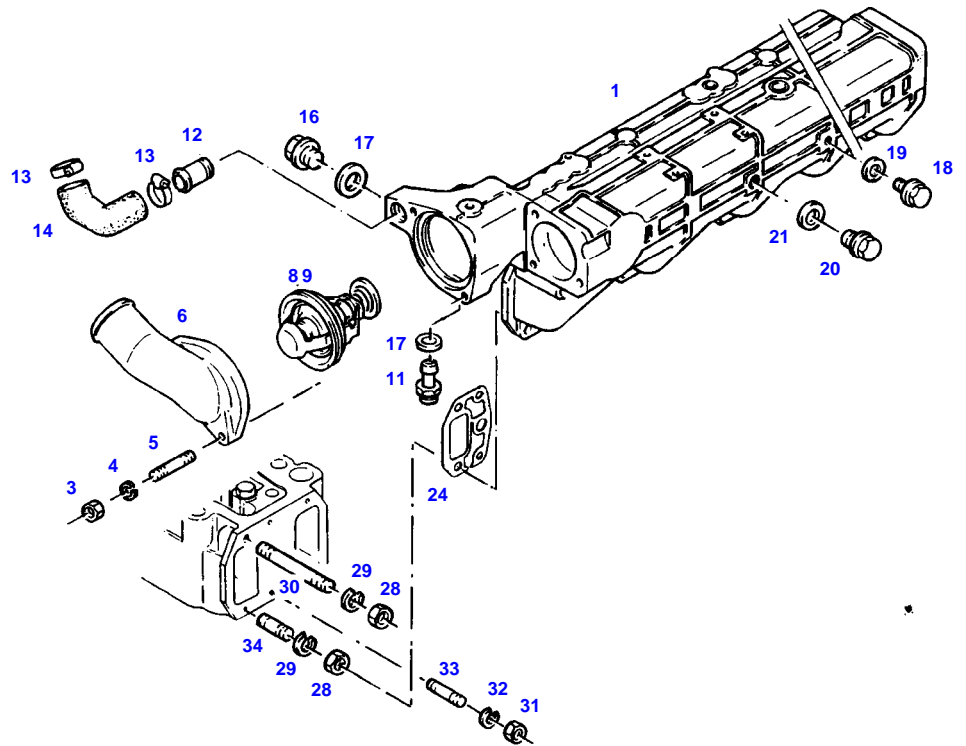
Item	Part Number	Qty	Description Comments	Technical Specification
			PICO --> 198/20000	
1	72357727	1	INTAKE MANIFOLD	
2	72329730	6	MOLDED SEAL	
3	72313776	12	STUD BOLT	DIN 939 M10X25-8.8
4	72373015	12	NUT	DIN70615-M10-8-A3B
5	72315101	1	SEALING WASHER	DIN 7603 A22X27-CU
6	72315802	1	SCREW	DIN 7604 AM22X1,5-ST
7	72316876	1	MAINTENANCE SWITCH	
8	72311172	1	HOSE CLIP	
9	72311171	1	HOSE CLIP	
10	72397271	1	RUBBER ARCH	
11	72348780	1	AIR FILTER ><12-14	
12	72332577	1	MICRO-TOP CARTRIDGE	
13	72332126	1	SAFETY CARTRIDGE	
14	72332999	1	GUIDE RING	
17			NO SPARE PART	
18	72396306	1	CLAMP	
19	72315814	2	SCREW	DIN7976-ST4,8X16-F-A3L
20	72311785	2	DISC	DIN 125-5,3-ST.A3L
21	72315634	1	HEXAGONAL HEAD BOLT	DIN 933 M6X30-8.8A3L
22	72357729	1	PIPE BEND	
23	72374982	1	OVAL HEAD SCREW	DIN 7985 M6X25-4.8A3L
24	72372783	1	SQUARE NUT	DIN 557 M6-5 A3L
25	72357730	1	CONSOLE	
26	72396307	1	SEALING RING	
27	72315650	2	HEXAGONAL HEAD BOLT	DIN 933 M8 X 20-8.8A3L
28	72311788	6	DISC	DIN 125-8,4-ST.A3L
29	72315053	4	SPLIT WASHER	FWN 65208-8-A3L
30	72313268	2	NUT	DIN 934 M8-8A3L
31	72315650	2	HEXAGONAL HEAD BOLT	DIN 933 M8 X 20-8.8A3L
32	72315626	1	HEXAGONAL HEAD BOLT	DIN 933-M6 X 16-8.8-A3L
33	72311787	2	DISC	DIN 125-6,4-ST.A3L
34	72315052	1	SPLIT WASHER	FWN 65208-6-A3L
35	72313266	1	NUT	DIN 934 M6-8A3L
37	72391711	1	ABSORPTION INDICATOR	
38			NOT USED	
40	72348552	1	PRE-CLEANER ><40-42	
	72311582	1	DUST CUP	
41	72313238	1	WING NUT	
42	72332464	1	HOSE CLIP	

FARMER 311 (198/07701-99999)  
7490



Item	Part Number	Qty	Description Comments	Technical Specification
			<b>PICO</b> <-- 198/20001	
1	72357773	1	INTAKE MANIFOLD	
2	72397328	1	SEAL	
3	72315651	3	HEXAGONAL HEAD BOLT	DIN 933 M8X22-8.8A3L
5	72315101	1	SEALING WASHER	DIN 7603 A22X27-CU
6	72315802	1	SCREW	DIN 7604 AM22X1,5-ST
7	72316876	1	MAINTENANCE SWITCH	
8	72311172	1	HOSE CLIP	
9	72311171	2	HOSE CLIP	
10	72397327	1	RUBBER ARCH	
11	72348780	1	AIR FILTER ><12-17	
12	72332577	1	MICRO-TOP CARTRIDGE	
13	72332126	1	SAFETY CARTRIDGE	
14	72332999	1	GUIDE RING	
15	72372763	1	NUT	DIN 439 BM16-04A3L
17			NO SPARE PART	
20	72397325	2	CLAMP	
21	72315626	4	HEXAGONAL HEAD BOLT	DIN 933-M6 X 16-8.8-A3L
22	72313266	8	NUT	DIN 934 M6-8A3L
23	72311822	6	DISC	DIN9021-6,4-140HV-A3L
24	72315052	8	SPLIT WASHER	FWN 65208-6-A3L
25	72407293	1	RETAINER	
26	72315642	4	HEXAGONAL HEAD BOLT	DIN 933 M8 X 16-8.8A3L
27	72315053	4	SPLIT WASHER	FWN 65208-8-A3L
28	72313268	2	NUT	DIN 934 M8-8A3L
30	72407295	1	RETAINER	
32	72397326	1	BELLOWS	
33	72397329	1	SEALING RING	
35	72357774	1	AIR INTAKE	
36	72373809	4	TRUSS HEAD SCREW	DIN 603 M6X20-A3L
37	72311787	4	DISC	DIN 125-6,4-ST.A3L
38	72311788	4	DISC	DIN 125-8,4-ST.A3L
40	72348552	1	PRE-CLEANER >>40-42	
	72311582	1	DUST CUP	
41	72313238	1	WING NUT	
42	72332464	1	HOSE CLIP	

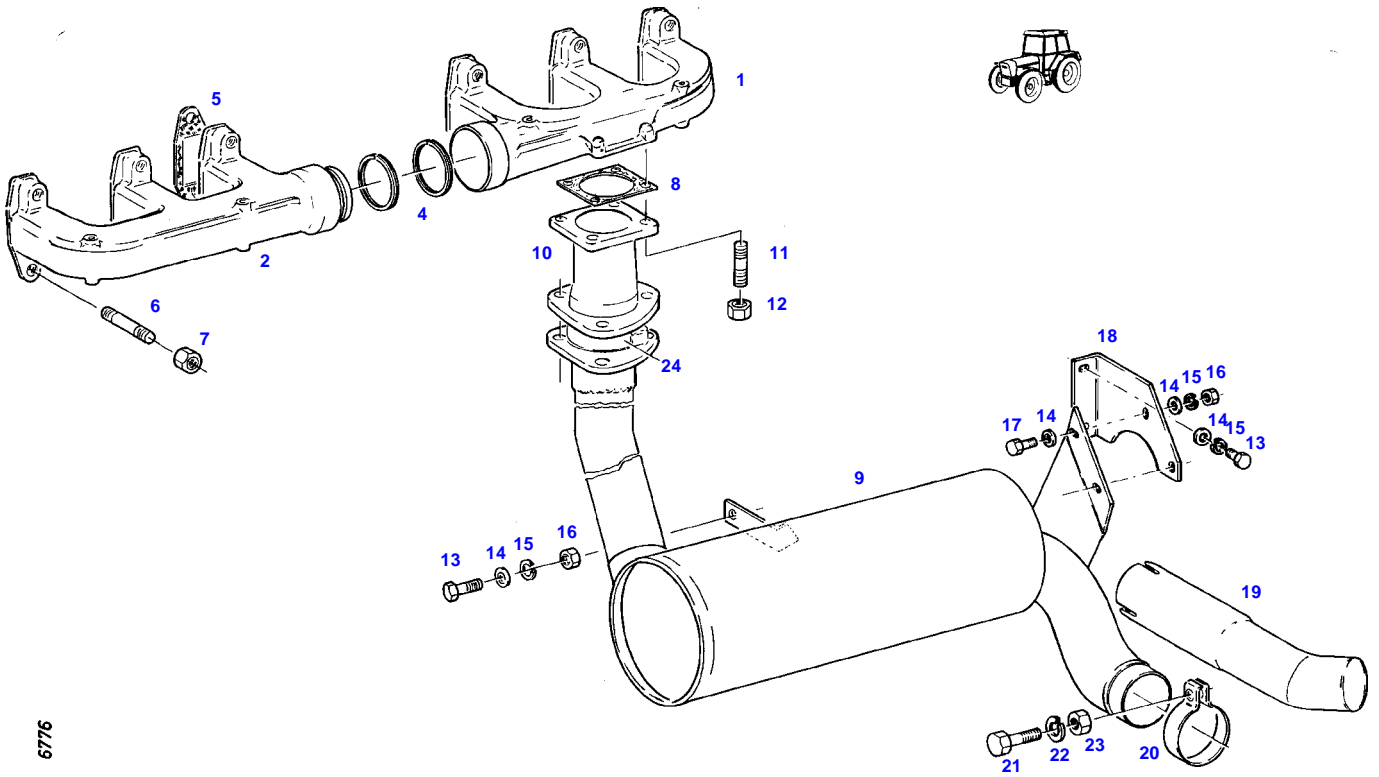
FARMER 311 (198/07701-99999)  
7757



7757

Item	Part Number	Qty	Description Comments	Technical Specification
			<-- 198/20001	
1	72332599	1	INTAKE MANIFOLD	
3	72372805	2	NUT	DIN 934 M8-10 C2A
4	72315053	2	SPLIT WASHER	FWN 65208-8-A3L
5	72373904	2	STUD BOLT	DIN 835-M8X30-8.8
6	72397293	1	COVER	
8	72348782	1	THERMOSTAT	
	72333024	1	THERMOSTAT ><9 85 C SCANDINAVIA	
9	72397296	1	BRUSH SEALING	
11	72396595	1	HOSE BARB	
12	72411402	1	HOSE BARB	
	72315101	1	SEALING WASHER	DIN 7603 A22X27-CU
13	72311168	2	HOSE CLIP	
14	72397294	1	RUBBER ARCH 130MM	
	72395453	1	RUBBER ARCH 145MM	
16	72315802	1	SCREW	DIN 7604 AM22X1,5-ST
17	72315101	2	SEALING WASHER	DIN 7603 A22X27-CU
18	72315798	1	PLUG	DIN 7604 AM12X1,5-ST
19	72315093	1	SEALING WASHER	DIN 7603 A12X18-CU
20	72373975	1	SCREW	DIN 910 M20X1,5-ST
21	72376031	1	SEALING WASHER	DIN 7603 A20X24-CU
24	72397295	6	MOLDED SEAL	
28	72373015	12	NUT	DIN70615-M10-8-A3B
29	72315054	12	SPLIT WASHER	FWN 65208-10-A3L
30	72374658	6	STUD BOLT	DIN 939-M10X100-8.8
31	72313269	6	NUT	DIN 934 M8-8C2A
32	72315053	6	SPLIT WASHER	FWN 65208-8-A3L
33	72397298	6	STUD BOLT	
34	72374646	6	STUD BOLT	DIN 939 M10X30-8.8

FARMER 311 (198/07701-99999)  
6776



6776



**Suggest:**

**For more complete manuals. Please go to the home page.**

**<https://www.ebooklibonline.com>**

**If the above button click is invalid. Please download this document first, and then click the above link to download the complete manual.**

**Thank you so much for reading**

Item	Part Number	Qty	Description Comments	Technical Specification
1	72332979	1	EXHAUST HALF	
2	72332978	1	EXHAUST HALF	
4	72332980	2	LAMELLAR RING	
5	72332145	6	MOLDED SEAL	
6	72374647	12	STUD BOLT	DIN 939-M10X40-8.8
7	72373015	12	NUT	DIN70615-M10-8-A3B
8	72331323	1	SQUARE SEAL	
9	72357759	1	EXHAUST MUFFLER ENGINE BRAKE	
	72357329	1	EXHAUST MUFFLER <>	
	72407297	1	INTERMEDIATE PIECE	
	72315534	3	HEXAGONAL HEAD BOLT	DIN 931 M8 X 70-8.8
	72313268	3	NUT	DIN 934 M8-8A3L
	72395941	1	INTERMEDIATE PIECE	
10	72407297	1	INTERMEDIATE PIECE ENGINE BRAKE	
11	72374641	4	STUD BOLT	DIN 939 M10X20-8.8
12	72373015	4	NUT	DIN70615-M10-8-A3B
13	72315642	3	HEXAGONAL HEAD BOLT	DIN 933 M8 X 16-8.8A3L
14	72311788	8	DISC	DIN 125-8,4-ST.A3L
15	72315053	5	SPLIT WASHER	FWN 65208-8-A3L
16	72313268	3	NUT	DIN 934 M8-8A3L
17	72315646	2	HEXAGONAL HEAD BOLT	DIN 933 M8X18-8.8A3L
18	72397291	1	RETAINING BRACKET	
19	72396310	1	EXHAUST TAILPIPE	
20	72373441	1	PIPE CLAMP	DIN71555-75,5-A4C
21	72315685	1	HEXAGONAL HEAD BOLT	DIN 933 M10X30-8.8A3L
22	72315054	1	SPLIT WASHER	FWN 65208-10-A3L
23	72313272	1	NUT	DIN 934 M10-8A3L
24			SEE ENGINE BRAKE	



**<https://www.ebooklibonline.com>**

Hello dear friend!

Thank you very much for reading.

Enter the link into your browser.

The full manual is available for immediate download.

**<https://www.ebooklibonline.com>**