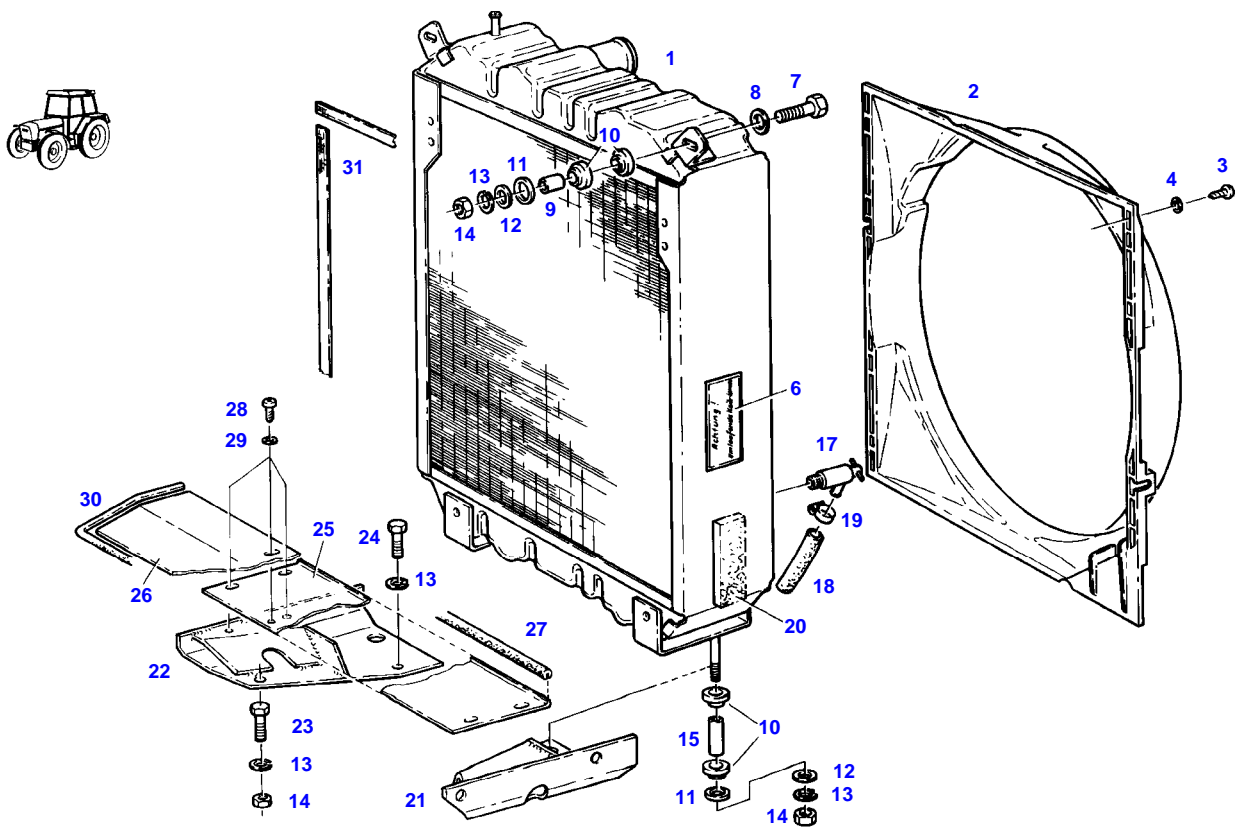


<b>Page Number</b>	<b>Page Title</b>	<b>Page Reference</b>
01-000-TOC	ENGINE, FUEL AND EXHAUST SYSTEM	01-000-TOC
02-000-TOC	AXLES	02-000-TOC
03-000-TOC	STEERING SYSTEM	03-000-TOC
04-000-TOC	DRIVE TRAIN SYSTEM	04-000-TOC
05-000-TOC	COMPRESSED AIR SYSTEM	05-000-TOC
06-000-TOC	HYDRAULIC SYSTEM	06-000-TOC
07-000-TOC	ELECTRICAL SYSTEM	07-000-TOC
08-000-TOC	CAB	08-000-TOC
09-000-TOC	AIR CONDITIONING AND HEATING SYSTEM	09-000-TOC
10-000-TOC	CHASSIS	10-000-TOC
11-000-TOC	WHEELS	11-000-TOC
12-000-TOC	IMPLEMENT LIFT SYSTEM FRONT	12-000-TOC
13-000-TOC	IMPLEMENT LIFT SYSTEM REAR	13-000-TOC
14-000-TOC	FRONT/REAR LOADERS	14-000-TOC
15-000-TOC	ACCESSORIES	15-000-TOC

FARMER 310 (192/02001-03400)  
4581



4581

Item	Part Number	Qty	Description Comments	Technical Specification
<b>RANGE OF TEMPERATURE 2 WITH AIR BRAKE SUPPLY EQUIPEMENT</b>				
1	72348773	1	RADIATOR	
2	72396340	1	FAN COVER	
3	72315818	8	SCREW	DIN7976-ST4,2X25-C-A3L
4	72311817	8	DISC	DIN9021-4,3-140HV-A3L
6	72386100	2	WARNING SIGN D	
	72388085	2	WARNING SIGN GB	
	72388086	2	WARNING SIGN F	
	72388087	2	WARNING SIGN I	
	72388088	2	WARNING SIGN E	
7	72315663	2	HEXAGONAL HEAD BOLT	DIN 933 M8X40-8.8A3L
8	72311788	2	DISC	DIN 125-8,4-ST.A3L
9	72310718	2	BUSH	
10	72312479	8	UNIVERSAL SPOUT	
11	72311793	4	DISC	DIN 125-17-ST.A3L
12	72311824	4	DISC	DIN9021-8,4-140HV-A3L
13	72315053	8	SPLIT WASHER	FWN 65208-8-A3L
14	72313268	6	NUT	DIN 934 M8-8A3L
15	72396348	2	BUSH	
17	72378063	1	RELIEF VALVE	DIN71401-CM14X1,5KEG
18	72389310	1	HOSE	
19	72438345	1	HOSE CLIP	
20	72450582	1	SEALING STRIP 2X 120 MM CUT TO LENGTH	L=10M
21	72357349	1	BRACKET	
22	72357350	1	BRACKET	
23	72315665	2	HEXAGONAL HEAD BOLT	DIN 933 M8X45-8.8A3L
24	72315657	2	HEXAGONAL HEAD BOLT	DIN 933 M8 X 30-8.8A3L
25	72396346	1	COVER PLATE	
26	72396302	1	SPLASH PANEL	
27	72450971	1	SHAPED CORD 1X 510 MM CUT TO LENGTH	L=1000 FWN 63040 C02
28	72315820	6	SCREW	DIN7976-ST6,3X13-C-A3L
29	72311822	6	DISC	DIN9021-6,4-140HV-A3L
30	72450971	1	SHAPED CORD 1X 735 MM CUT TO LENGTH	L=1000 FWN 63040 C02
31	72450581	1	SEALING STRIP 2X 510 MM 2X 480 MM 1X 515 MM CUT TO LENGTH	L=20M

**<https://www.ebooklibonline.com>**

Hello dear friend!

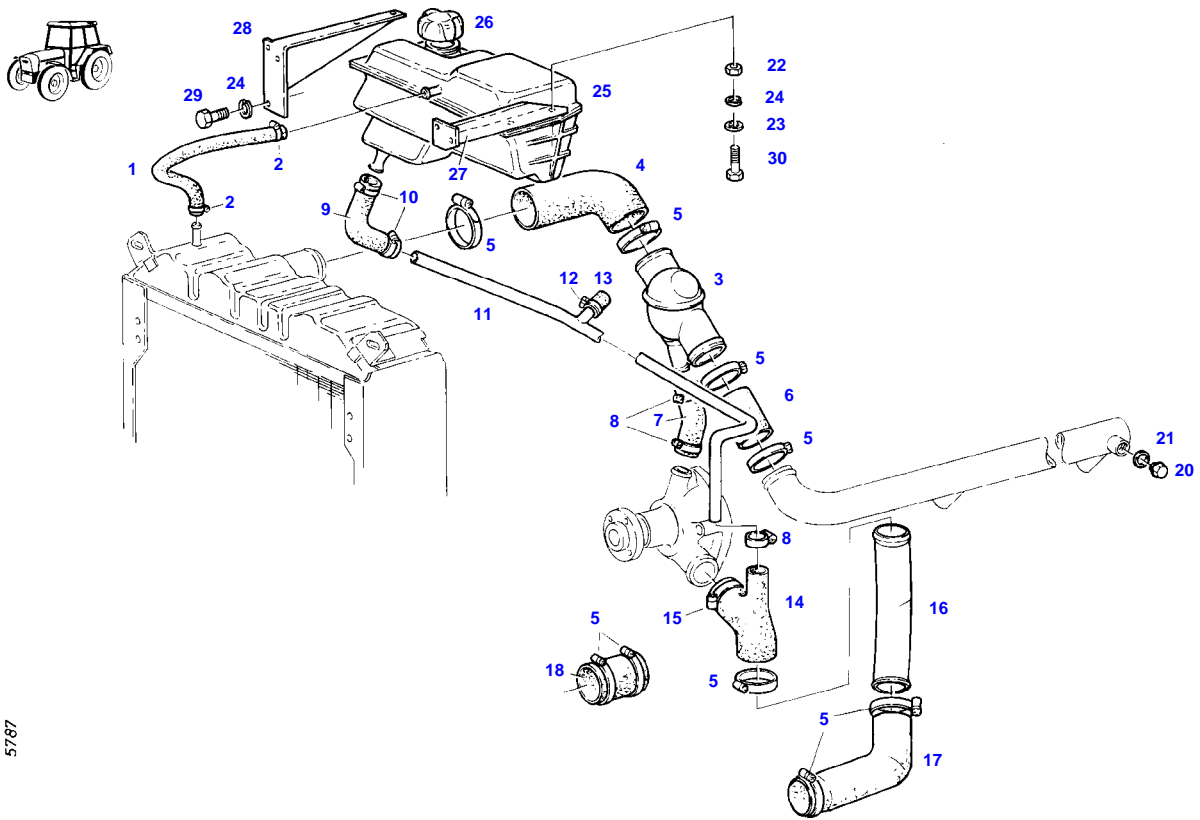
Thank you very much for reading.

Enter the link into your browser.

The full manual is available for immediate download.

**<https://www.ebooklibonline.com>**

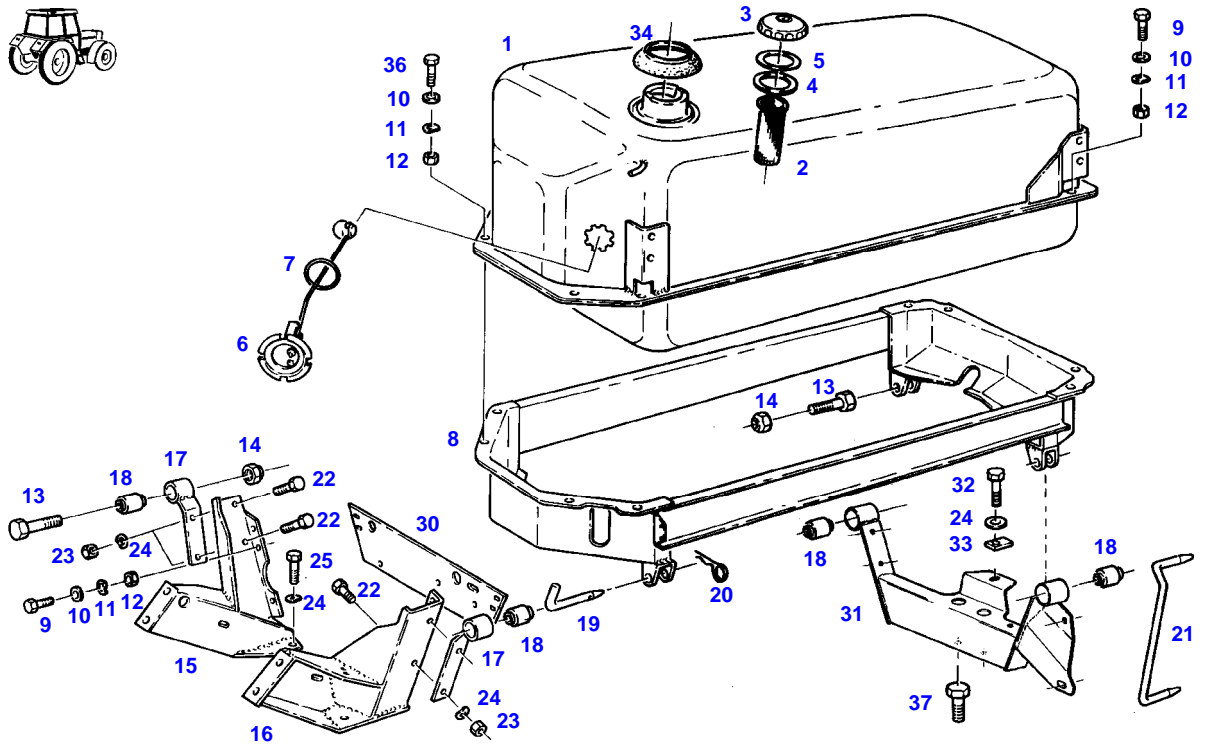
FARMER 310 (192/02001-03400)  
5787



5787

Item	Part Number	Qty	Description Comments	Technical Specification
1	72622024	1	PRESSURE HOSE 300 MM CUT TO LENGTH	L=0,50M 8X3,5-FWN65911
2	72438345	2	HOSE CLIP	
3	72456610	1	THERMOSTAT	
	72343978	1	THERMOSTAT 85 C	
4	72396343	1	RUBBER ARCH	
5	72311163	7	HOSE CLIP	
6	72450417	1	HOSE 1X 60MM CUT TO LENGTH	L=100 DIN73411-45X5 R
7	72396344	1	RUBBER ARCH	
8	72311167	3	HOSE CLIP	
9	72396345	1	RUBBER ARCH	
10	72311166	2	HOSE CLIP	
11	72357352	1	PIPE	
12	72311166	1	HOSE CLIP	
13	72404925	1	CAP	
14	72396342	1	RUBBER ARCH	
15	72311162	1	HOSE CLIP	
16	72396356	1	SUCTION PIPE	
17	72396357	1	RUBBER ARCH	
18	72450417	1	HOSE 1X 60MM CUT TO LENGTH --> 192/2169	L=100 DIN73411-45X5 R
20	72315802	1	SCREW	DIN 7604 AM22X1,5-ST
21	72315101	2	SEALING WASHER	DIN 7603 A22X27-CU
22	72315821	4	SCREW	DIN7976-ST6,3X19-C-A3L
23	72311822	4	DISC	DIN9021-6,4-140HV-A3L
24	72315052	2	SPLIT WASHER	FWN 65208-6-A3L
25	72316897	1	EXPANSION TANK <>	
	72409370	1	CAP	
	72438345	1	HOSE CLIP	
26	72348672	1	COLLER LOCKING	
27	72395909	1	RETAINER	
28	72395908	1	RETAINER	
29	72315629	2	HEXAGONAL HEAD BOLT	DIN 933 M6 X 12-8.8A3L

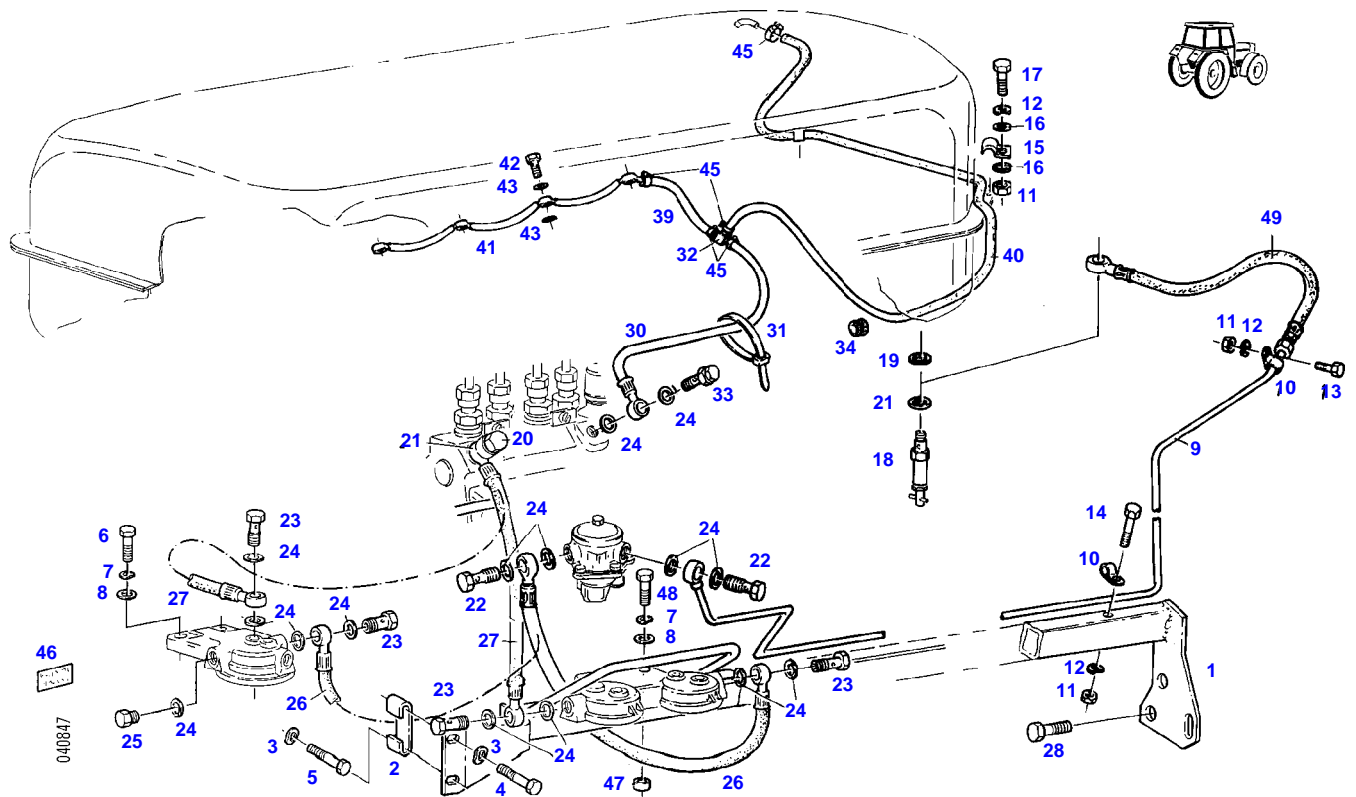
FARMER 310 (192/02001-03400)  
5265



5265

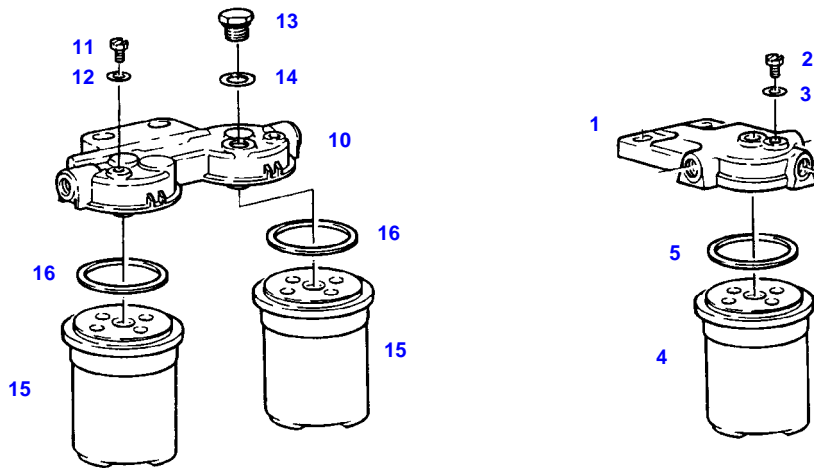
Item	Part Number	Qty	Description Comments	Technical Specification
1	72349994	1	FUEL TANK <>	
	72376017	2	SEALING WASHER	DIN 7603-A5X7,5-CU
	72376018	10	SEALING WASHER	DIN 7603 A5X9-VF
	72409022	2	FLANGE	
	72376132	2	SEALING WASHER	
	72315619	10	HEXAGONAL HEAD BOLT	DIN 933 M5X16-8.8A3L
2	72433112	1	STRAINER	60X100-MS
3	72380143	1	FUEL CAP KOEHLER ><3+4	M.BELUEF
	72348297	1	FUEL CAP LOCKABLE BLAU ><3-5	
4	72330725	1	SEAL BLAU	
	72312304	1	RUBBER SEAL KOEHLER	
5	72330726	1	SEAL	
6	72613427	1	FUEL LEVEL SENSOR ><6-7	
7	72315169	1	SEALING WASHER	
8	72357106	1	TANK FRAME	
9	72315626	9	HEXAGONAL HEAD BOLT	DIN 933-M6 X 16-8.8-A3L
10	72311822	20	DISC	DIN9021-6,4-140HV-A3L
11	72317120	15	SPRING WASHER	DIN 137 B6-MECH.VZK
12	72313266	15	NUT	DIN 934 M6-8A3L
13	72315719	2	HEXAGONAL HEAD BOLT	DIN 933 M12X60-8.8A3L
14	72313325	2	NUT	DIN 980-VM12-8-A3L
15	72355440	1	BRACKET	
16	72355441	1	BRACKET	
17	72357100	2	BEARING	
18	72310644	4	RUBBER BUSHING	
19	72404932	2	BEARING PIN	
20	72311183	2	HAIR COTTER PIN	DIN 11024-4-A3L
21	72393681	1	BEARING PIN	
22	72315657	4	HEXAGONAL HEAD BOLT	DIN 933 M8 X 30-8.8A3L
23	72313268	5	NUT	DIN 934 M8-8A3L
24	72317121	11	SPRING WASHER	DIN 137 B8-MECH.VZK
25	72315642	6	HEXAGONAL HEAD BOLT	DIN 933 M8 X 16-8.8A3L
30	72395911	1	SHEET METAL	
31	72357090	1	CROSSMEMBER	
32	72315663	1	HEXAGONAL HEAD BOLT	DIN 933 M8X40-8.8A3L
33	72400066	1	PLATE LINK	
34	72397269	1	SLEEVE	
36	72315631	2	HEXAGONAL HEAD BOLT	DIN 933 M6 X 20-8.8A3L
37	72315675	2	HEXAGONAL HEAD BOLT	DIN 933 M10X16-8.8A3L

FARMER 310 (192/02001-03400)  
40847



Item	Part Number	Qty	Description Comments	Technical Specification
1	72356743	1	RETAINER	
2	72399913	1	HOLDER	
3	72317122	2	SPRING WASHER	DIN 137 B10-MECH.VZK
4	72315689	1	HEXAGONAL HEAD BOLT	DIN 933 M10X35-8.8A3L
5	72315691	1	HEXAGONAL HEAD BOLT	DIN 933 M10X40-8.8A3L
6	72315657	2	HEXAGONAL HEAD BOLT	DIN 933 M8 X 30-8.8A3L
7	72317121	2	SPRING WASHER	DIN 137 B8-MECH.VZK
8	72311824	2	DISC	DIN9021-8,4-140HV-A3L
9	72356707	1	TUBING	
10	72311241	2	PIPE CLAMP	
11	72313266	2	NUT	DIN 934 M6-8A3L
12	72317120	2	SPRING WASHER	DIN 137 B6-MECH.VZK
13	72315626	1	HEXAGONAL HEAD BOLT	DIN 933-M6 X 16-8.8-A3L
14	72315637	1	HEXAGONAL HEAD BOLT	DIN 933 M6X45-8.8A3L
15	72398941	2	FASTENING COLLAR	
16	72311822	2	DISC	DIN9021-6,4-140HV-A3L
17	72315631	2	HEXAGONAL HEAD BOLT	DIN 933 M6 X 20-8.8A3L
18	72380159	1	FUEL SHUT-OFF VALVE	
19	72315093	1	SEALING WASHER	DIN 7603 A12X18-CU
20	72310187	1	DOUBLE BOLT	
21	72315095	2	SEALING WASHER	DIN 7603 A14X20-CU
22	72315808	2	BANJO BOLT	DIN 7643-10-3-A3L
23	72315808	2	BANJO BOLT	DIN 7643-10-3-A3L
24	72315095	14	SEALING WASHER	DIN 7603 A14X20-CU
25	72315799	2	PLUG	DIN 7604 AM14X1,5-A3L
26	72356760	1	FUEL LINE	
27	72355537	1	FUEL LINE	
28	72374490	2	HEXAGONAL HEAD BOLT	DIN 933 M14X20-8.8
	72374493	2	HEXAGONAL HEAD BOLT	DIN 933 M14X30-8.8
30	72356761	1	FUEL LINE --> 192/2201 <> <>	
	72438345	1	HOSE CLIP	
	72316916	3	CABLE STRAP	FWN 66650 B175X4-SW
	72380023	1	TEE FITTING	
31	72316916	2	CABLE STRAP	FWN 66650 B175X4-SW
32	72380023	1	TEE FITTING	
33	72380268	1	BLEED AND DRAIN VALVE	
34	72379152	1	CABLE BUSHING	HV1305
39	72450301	1	PRESSURE HOSE 260 MM CUT TO LENGTH	L=1000
40	72435830	1	PRESSURE HOSE 1100 MM CUT TO LENGTH	L=2100
41			SEE FUEL LININGS	
42	72315809	4	BANJO BOLT	DIN 7643-4-5-A3L
	72342985	4	SCREW ENGINE B	
43	72315086	8	SEALING WASHER	DIN 7603 A8X11,5-CU
	72315084	8	SEALING WASHER ENGINE B	DIN 7603 A6X10-CU
45	72438345	5	HOSE CLIP	
46	72393682	1	MARKING PLATE ARABIAN-ENGLISH	
47	72311848	2	DISC	
48	72315660	2	HEXAGONAL HEAD BOLT	DIN 933 M8X35-8.8A3L
49	72357312	1	HOSE LINE	

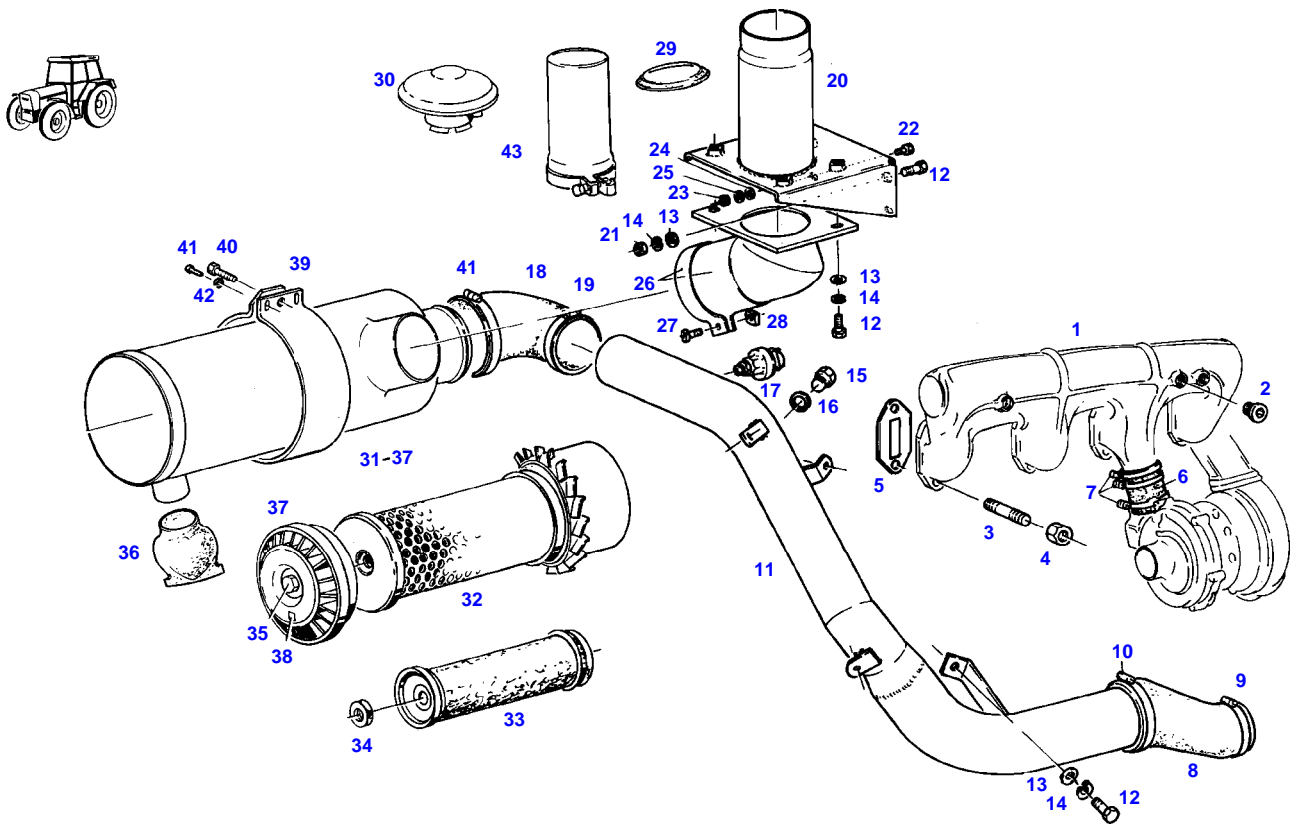
FARMER 310 (192/02001-03400)  
4952



4952

Item	Part Number	Qty	Description Comments	Technical Specification
1	72615599	1	FILTER LID ><2,3	
2	72323290	1	BLEED SCREW	
3	72315084	1	SEALING WASHER	DIN 7603 A6X10-CU
4	72416928	1	FILTER BOX ><5	
5	72314995	1	RUBBER RING PARALLEL-FILTER	
10	72380173	1	PARALLEL FILTER BOSCH ><11-16 <-- X810.190.166.000 1X <>	
	72416928	2	FILTER BOX	
	72451307	1	COVER KNECHT ><11,12 <>	PARALLELFILT.
	72416928	2	FILTER BOX	
11	72323290	2	BLEED SCREW BOSCH	
	72314699	2	BLEED SCREW KNECHT	
12	72315084	2	SEALING WASHER BOSCH	DIN 7603 A6X10-CU
	72315086	2	SEALING WASHER KNECHT	DIN 7603 A8X11,5-CU
13	72326250	1	SCREW BOSCH	
14	72315095	1	SEALING WASHER BOSCH	DIN 7603 A14X20-CU
15	72416928	2	FILTER BOX ><16	
16	72314995	2	RUBBER RING	

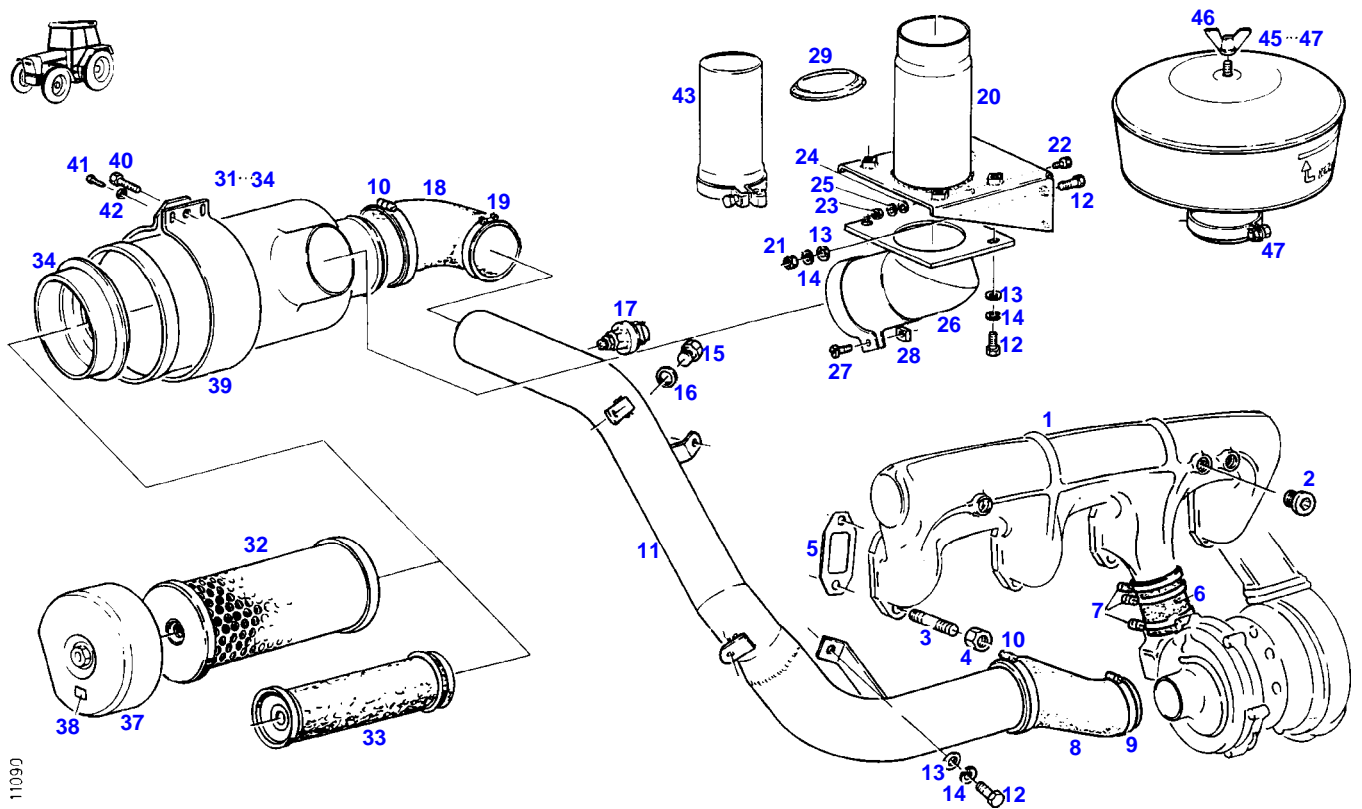
FARMER 310 (192/02001-03400)  
5273



5273

Item	Part Number	Qty	Description Comments	Technical Specification
<b>PICLON</b>				
1	72395914	1	INTAKE MANIFOLD	
2	72315433	1	SCREW	DIN 906 M14X1,5-ST
3	72373922	8	STUD BOLT	DIN 835-M10X25-8.8
4	72373015	8	NUT	DIN70615-M10-8-A3B
5	72332145	4	MOLDED SEAL	
6	72332526	1	HOSE PIECE	
7	72311163	3	HOSE CLIP	
8	72395913	1	REDUCER	
9	72311163	1	HOSE CLIP	
10	72311171	2	HOSE CLIP	
11	72357096	1	INTAKE MANIFOLD	
12	72315650	5	HEXAGONAL HEAD BOLT	DIN 933 M8 X 20-8.8A3L
13	72311788	6	DISC	DIN 125-8,4-ST.A3L
14	72315053	5	SPLIT WASHER	FWN 65208-8-A3L
15	72315802	1	SCREW	DIN 7604 AM22X1,5-ST
16	72315101	1	SEALING WASHER	DIN 7603 A22X27-CU
17	72379892	1	MAINTENANCE SWITCH	
18	72395912	1	RUBBER ARCH	
19	72311170	1	HOSE CLIP	
20	72357730	1	CONSOLE	
21	72313268	2	NUT	DIN 934 M8-8A3L
22	72315626	1	HEXAGONAL HEAD BOLT	DIN 933-M6 X 16-8.8-A3L
23	72313266	1	NUT	DIN 934 M6-8A3L
24	72311787	2	DISC	DIN 125-6,4-ST.A3L
25	72315052	1	SPLIT WASHER	FWN 65208-6-A3L
26	72357729	1	PIPE BEND	
27	72374982	1	OVAL HEAD SCREW	DIN 7985 M6X25-4.8A3L
28	72372783	1	SQUARE NUT	DIN 557 M6-5 A3L
29	72396307	1	SEALING RING	
30	72348784	1	RAIN CAP	
31	72348775	1	AIR FILTER MANN + HUMMEL ><31-37	
	72348775	1	AIR FILTER KNECHT ><31-37	
32	72332577	1	MICRO-TOP CARTRIDGE	
33	72332126	1	SAFETY CARTRIDGE	
34	72372827	1	NUT	DIN 934 M16X1,5-10A3L
	72372763	1	MANN + HUMMEL NUT KNECHT	DIN 439 BM16-04A3L
35	72339030	1	COLLAR NUT MANN + HUMMEL	
	72332977	1	FASTENING NUT KNECHT	
36	72332513	1	DUST DISCHARGE VALVE MANN + HUMMEL	
	72332975	1	VALVE KNECHT	
37	72332518	1	COVER MANN + HUMMEL	
	72332976	1	COVER KNECHT <-- G199.200.090.010	
38	72395907	1	ABSORPTION INDICATOR	
39	72396306	1	CLAMP	
40	72315634	1	HEXAGONAL HEAD BOLT	DIN 933 M6X30-8.8A3L
41	72315814	2	SCREW	DIN7976-ST4,8X16-F-A3L
42	72311785	2	DISC	DIN 125-5,3-ST.A3L
43	72348666	1	CONNECTING PIPE	

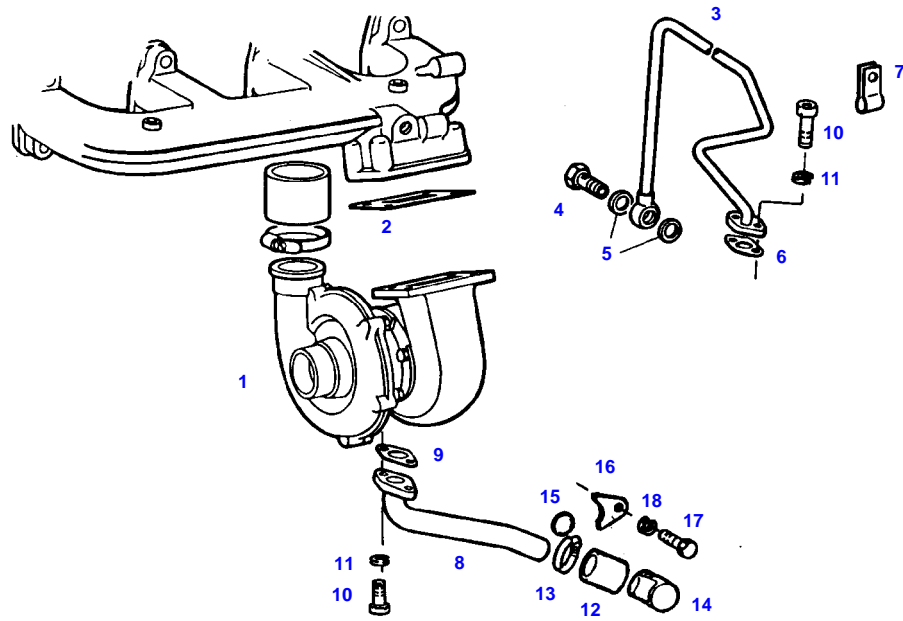
FARMER 310 (192/02001-03400)  
11090



11090

Item	Part Number	Qty	Description Comments	Technical Specification
<b>PICO</b>				
1	72395914	1	INTAKE MANIFOLD	
2	72315433	1	SCREW	DIN 906 M14X1,5-ST
3	72373922	8	STUD BOLT	DIN 835-M10X25-8.8
4	72373015	8	NUT	DIN70615-M10-8-A3B
5	72332145	4	MOLDED SEAL	
6	72332526	1	HOSE PIECE	
7	72311163	3	HOSE CLIP	
8	72395913	1	REDUCER	
9	72311163	1	HOSE CLIP	
10	72311171	2	HOSE CLIP	
11	72357096	1	INTAKE MANIFOLD	
12	72315650	5	HEXAGONAL HEAD BOLT	DIN 933 M8 X 20-8.8A3L
13	72311788	7	DISC	DIN 125-8,4-ST.A3L
14	72315053	5	SPLIT WASHER	FWN 65208-8-A3L
15	72315802	1	SCREW	DIN 7604 AM22X1,5-ST
16	72315101	1	SEALING WASHER	DIN 7603 A22X27-CU
17	72379892	1	MAINTENANCE SWITCH	
18	72395912	1	RUBBER ARCH	
19	72311170	1	HOSE CLIP	
20	72357730	1	CONSOLE	
21	72313268	2	NUT	DIN 934 M8-8A3L
22	72315626	1	HEXAGONAL HEAD BOLT	DIN 933-M6 X 16-8.8-A3L
23	72313266	1	NUT	DIN 934 M6-8A3L
24	72311787	2	DISC	DIN 125-6,4-ST.A3L
25	72315052	1	SPLIT WASHER	FWN 65208-6-A3L
26	72357729	1	PIPE BEND	
27	72374982	1	OVAL HEAD SCREW	DIN 7985 M6X25-4.8A3L
28	72372783	1	SQUARE NUT	DIN 557 M6-5 A3L
29	72396307	1	SEALING RING	
31	72348780	1	AIR FILTER	
			><31-34	
32	72332577	1	MICRO-TOP CARTRIDGE	
33	72332126	1	SAFETY CARTRIDGE	
34	72332999	1	GUIDE RING	
37			NO SPARE PART	
38	72395907	1	ABSORPTION INDICATOR	
39	72396306	1	CLAMP	
40	72315634	1	HEXAGONAL HEAD BOLT	DIN 933 M6X30-8.8A3L
41	72315814	2	SCREW	DIN7976-ST4,8X16-F-A3L
42	72311785	2	DISC	DIN 125-5,3-ST.A3L
43	72348666	1	CONNECTING PIPE	
45	72348552	1	PRE-CLEANER	
			><45-47	
	72311582	1	DUST CUP	
46	72313238	1	WING NUT	
47	72332464	1	HOSE CLIP	

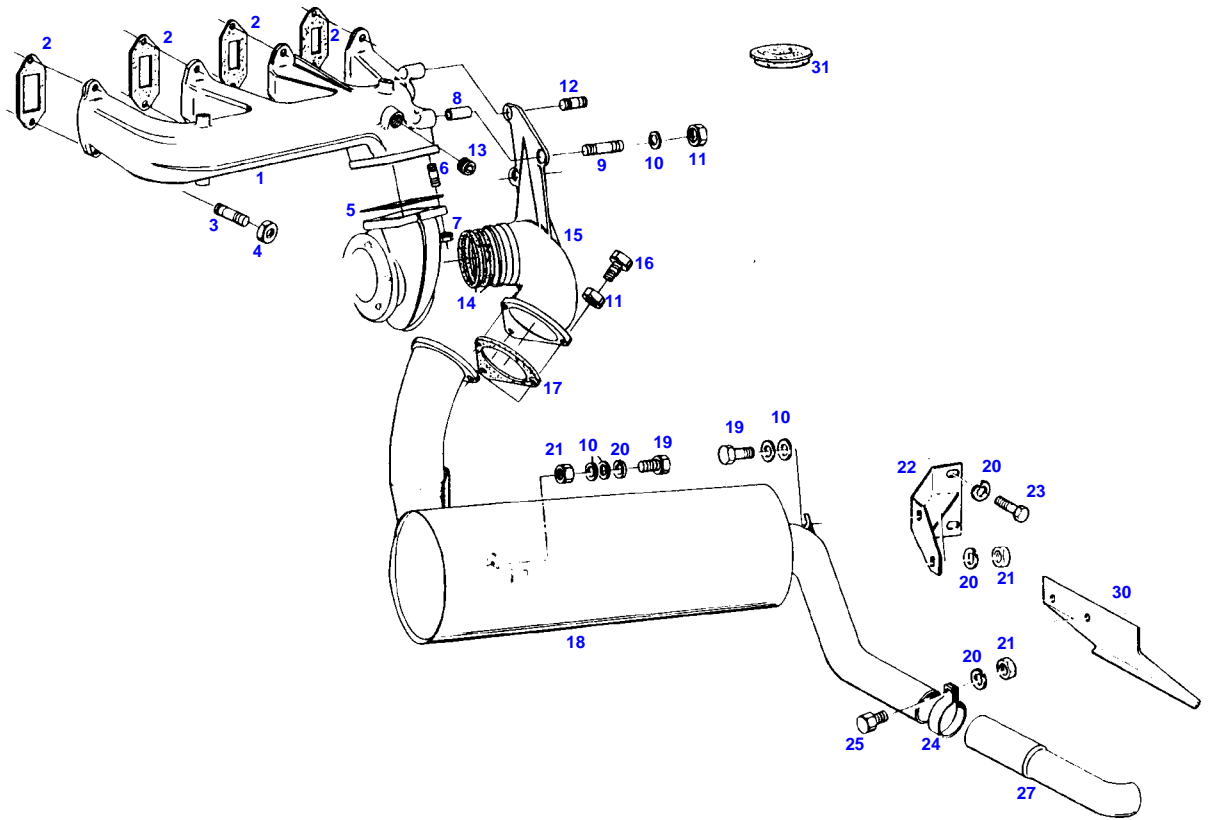
FARMER 310 (192/02001-03400)  
5274



5274

Item	Part Number	Qty	Description Comments	Technical Specification
1	72332433	1	TURBOCHARGER	
	72332434	1	SPARE PARTS KIT	
2			SEE EXHAUST	
3	72332435	1	LUBE OIL LINE	
4	72374956	1	BANJO BOLT	DIN7623/3.70-A10-6.8
5	72315098	2	SEALING WASHER	DIN 7603 A16X22-CU
6	72332436	1	OVAL GASKET	
7	72332437	1	PIPE CLAMP	
8	72332438	1	LUBE OIL LINE	
9	72332161	1	OVAL GASKET	
10	72374020	2	SOCKET HEAD BOLT	DIN 912 M8X20-10.9
	72315474	2	SOCKET HEAD BOLT	
11	72315053	4	SPLIT WASHER	FWN 65208-8-A3L
12	72332160	1	HOSE PIECE	
13	72311167	2	HOSE CLIP	
14	72343888	1	MANIFOLD	
15	72343889	1	SEAL	
16	72343890	1	RETAINING SHEET METAL	
17	72315489	1	SOCKET HEAD BOLT	DIN 912-M8 X 16-8.8-A3L
18	72315053	1	SPLIT WASHER	FWN 65208-8-A3L

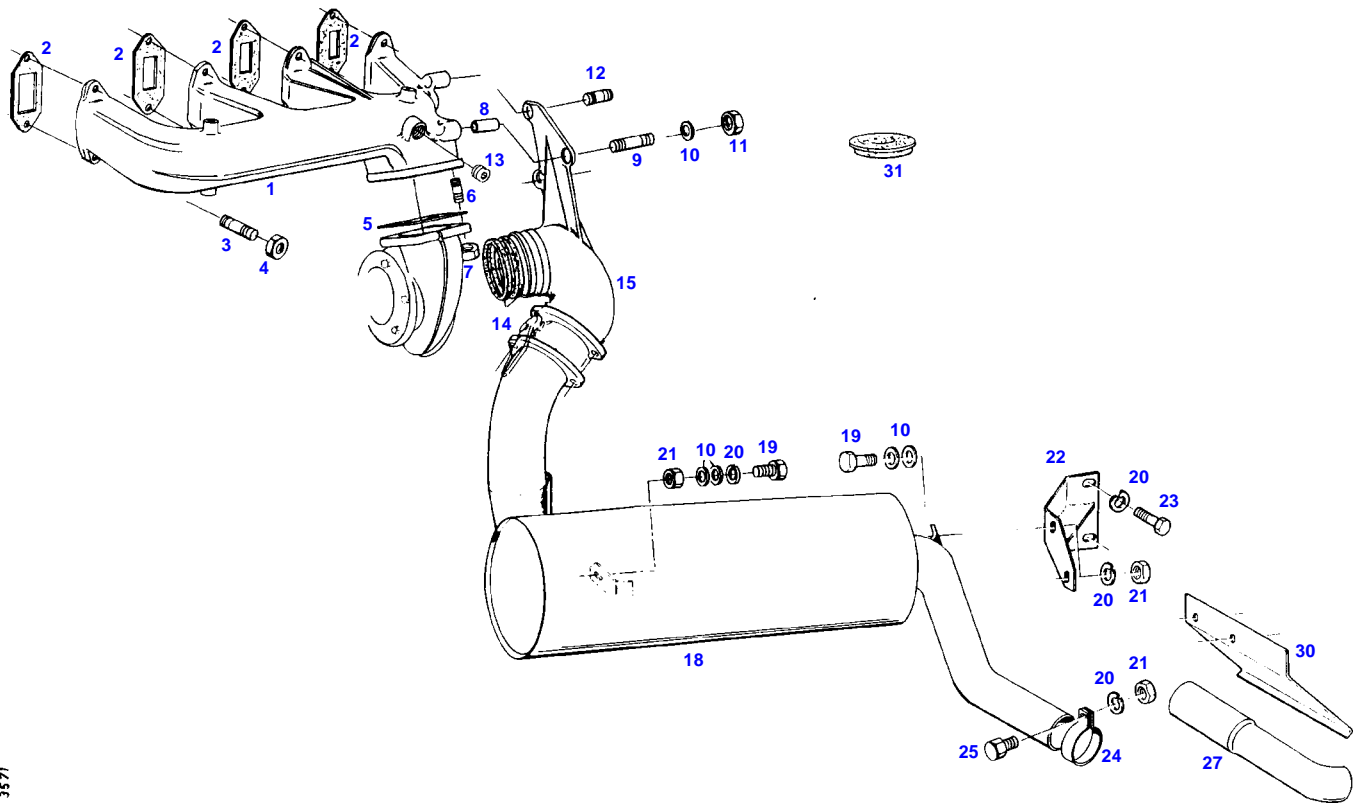
FARMER 310 (192/02001-03400)  
3572



3572

Item	Part Number	Qty	Description Comments	Technical Specification
1	72332443	1	EXHAUST PIPE	
2	72332145	4	MOLDED SEAL	
3	72374647	8	STUD BOLT	DIN 939-M10X40-8.8
4	72373015	8	NUT	DIN70615-M10-8-A3B
5	72332442	1	MOLDED SEAL	
6	72313770	4	STUD BOLT	FWN64891-M8X20-8.8
7	72313269	4	NUT	DIN 934 M8-8C2A
8	72395427	1	SPACER TUBE	
9	72313775	1	STUD BOLT	DIN 939 M8X70-8.8A3L
10	72311788	11	DISC	DIN 125-8,4-ST.A3L
11	72313269	6	NUT	DIN 934 M8-8C2A
12	72313770	2	STUD BOLT	FWN64891-M8X20-8.8
13	72373954	1	SCREW	DIN 906-R3/8-ST
14	72377180	2	PISTON RING	ISO6622-1 R-70X2-MC12
15	72395426	1	MANIFOLD	
16	72315653	3	HEXAGONAL HEAD BOLT	DIN 933 M8 X 25-8.8A3L
17	72407298	1	MOLDED SEAL	
18	72357115	1	EXHAUST MUFFLER	
			<>	
	72315534	3	HEXAGONAL HEAD BOLT	DIN 931 M8 X 70-8.8
	72407298	2	MOLDED SEAL	
	72395941	1	INTERMEDIATE PIECE	
19	72315646	3	HEXAGONAL HEAD BOLT	DIN 933 M8X18-8.8A3L
20	72315053	6	SPLIT WASHER	FWN 65208-8-A3L
21	72313268	4	NUT	DIN 934 M8-8A3L
22	72357075	1	GUSSET PLATE	
23	72315642	2	HEXAGONAL HEAD BOLT	DIN 933 M8 X 16-8.8A3L
24	72373437	1	PIPE CLAMP	DIN71555-63,5 EDELSTAHL
25	72315657	1	HEXAGONAL HEAD BOLT	DIN 933 M8 X 30-8.8A3L
27	72393695	1	EXHAUST TAILPIPE	
30	72395889	1	DEFLECTOR	
31	72395945	1	COVER	

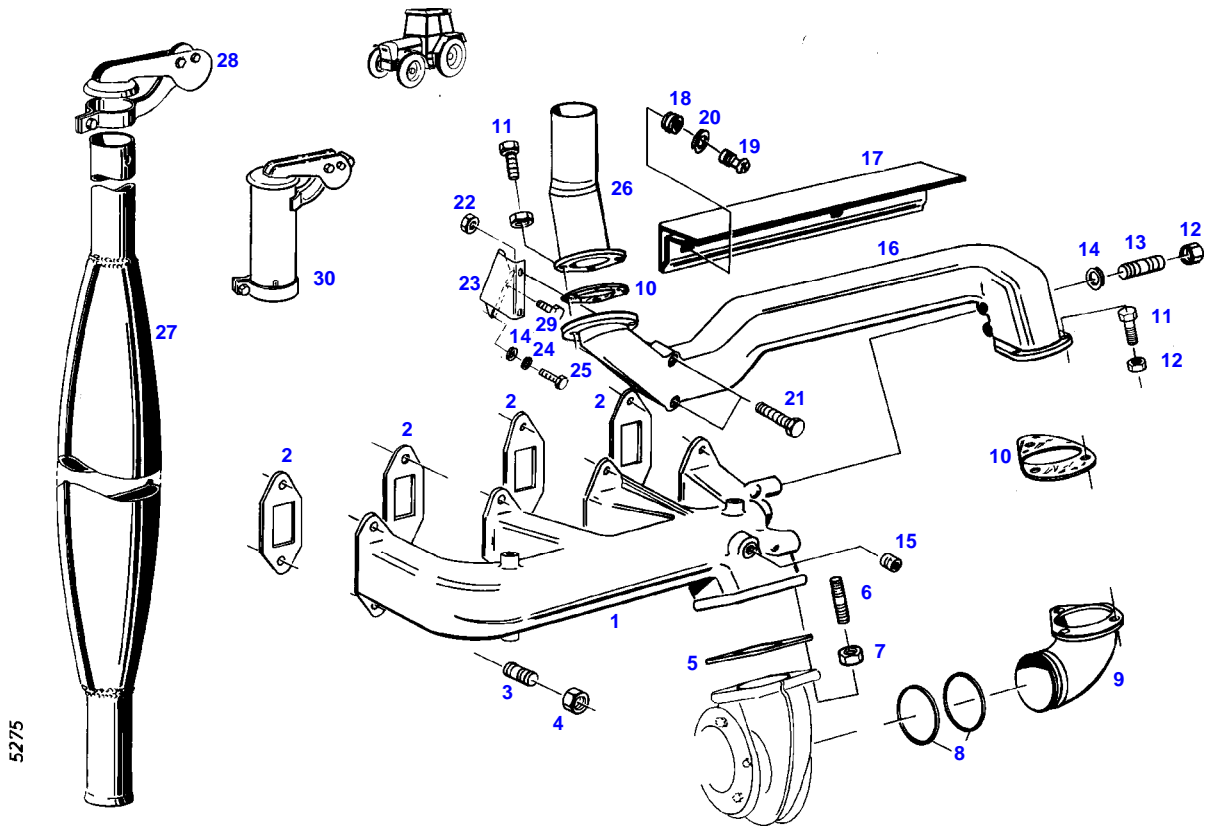
FARMER 310 (192/02001-03400)  
3571



3571

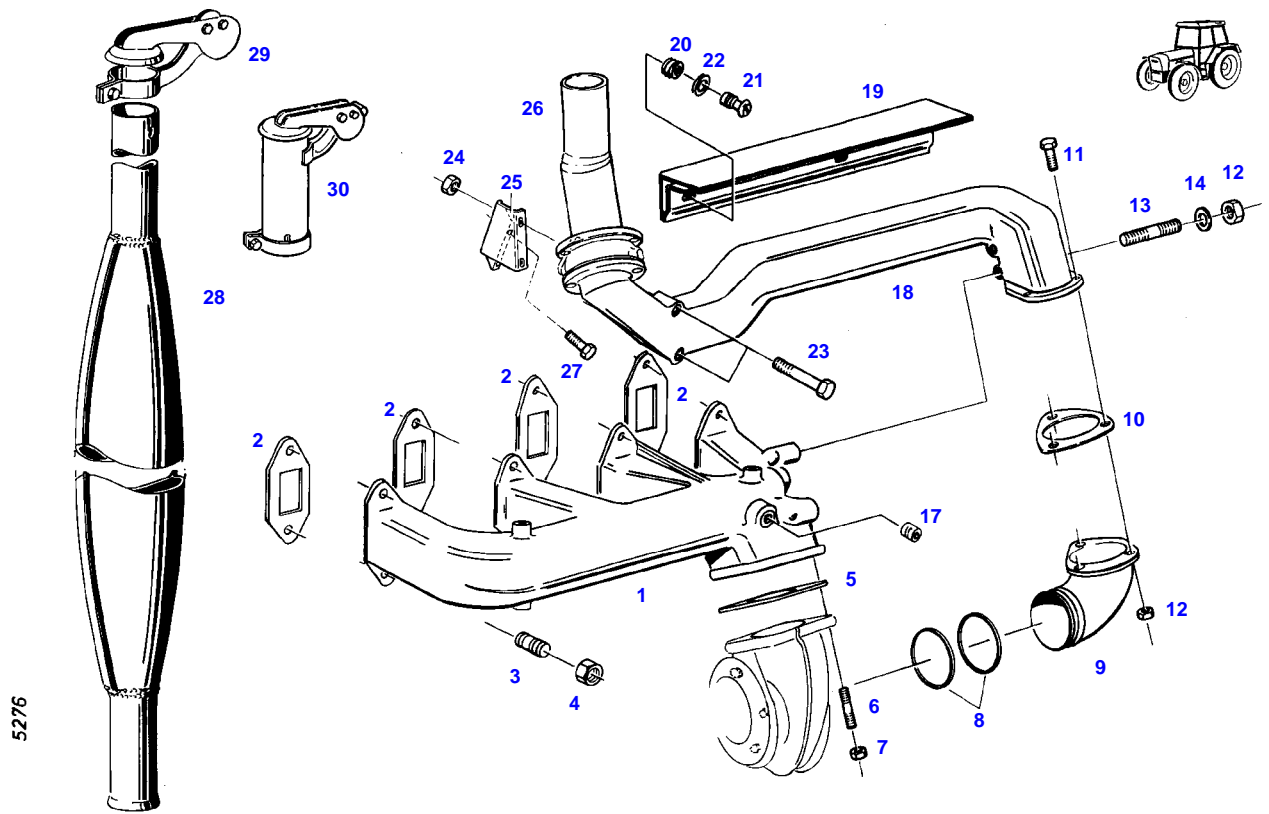
Item	Part Number	Qty	Description Comments	Technical Specification
<b>ENGINE BRAKE</b>				
1	72332443	1	EXHAUST PIPE	
2	72332145	4	MOLDED SEAL	
3	72374647	8	STUD BOLT	DIN 939-M10X40-8.8
4	72373015	8	NUT	DIN70615-M10-8-A3B
5	72332442	1	MOLDED SEAL	
6	72313770	4	STUD BOLT	FWN64891-M8X20-8.8
7	72313269	4	NUT	DIN 934 M8-8C2A
8	72395427	1	SPACER TUBE	
9	72313775	1	STUD BOLT	DIN 939 M8X70-8.8A3L
10	72311788	11	DISC	DIN 125-8,4-ST.A3L
11	72313269	3	NUT	DIN 934 M8-8C2A
12	72313770	2	STUD BOLT	FWN64891-M8X20-8.8
13	72373954	1	SCREW	DIN 906-R3/8-ST
14	72377180	2	PISTON RING	ISO6622-1 R-70X2-MC12
15	72395426	1	MANIFOLD	
18	72357115	1	EXHAUST MUFFLER	
19	72315646	3	HEXAGONAL HEAD BOLT	DIN 933 M8X18-8.8A3L
20	72315053	6	SPLIT WASHER	FWN 65208-8-A3L
21	72313268	4	NUT	DIN 934 M8-8A3L
22	72357075	1	GUSSET PLATE	
23	72315642	2	HEXAGONAL HEAD BOLT	DIN 933 M8 X 16-8.8A3L
24	72373437	1	PIPE CLAMP	DIN71555-63,5 EDELSTAHL
25	72315657	1	HEXAGONAL HEAD BOLT	DIN 933 M8 X 30-8.8A3L
27	72393695	1	EXHAUST TAILPIPE	
30	72395889	1	DEFLECTOR	
31	72395945	1	COVER	

FARMER 310 (192/02001-03400)  
5275



Item	Part Number	Qty	Description Comments	Technical Specification
1	72332443	1	EXHAUST PIPE	
2	72332145	4	MOLDED SEAL	
3	72313777	8	STUD BOLT	DIN 939 M10X35-8.8
4	72373015	8	NUT	DIN70615-M10-8-A3B
5	72332442	1	MOLDED SEAL	
6	72313770	4	STUD BOLT	FWN64891-M8X20-8.8
7	72313269	4	NUT	DIN 934 M8-8C2A
8	72377180	2	PISTON RING	ISO6622-1 R-70X2-MC12
9	72395430	1	BEND	
10	72407298	2	MOLDED SEAL	
11	72315653	6	HEXAGONAL HEAD BOLT	DIN 933 M8 X 25-8.8A3L
12	72313269	8	NUT	DIN 934 M8-8C2A
13	72313775	2	STUD BOLT	DIN 939 M8X70-8.8A3L
14	72311788	3	DISC	DIN 125-8,4-ST.A3L
15	72373954	1	SCREW	DIN 906-R3/8-ST
16	72395429	1	EXHAUST PIPE	
17	72356725	1	SHIELD	
18	72372509	2	THREADED INSERT	M4
19	72315614	2	HEXAGONAL HEAD BOLT	DIN 933-M4X8-8.8-A3L
20	72311817	2	DISC	DIN9021-4,3-140HV-A3L
21	72374183	2	HEXAGONAL HEAD BOLT	DIN 931 M10X75-8.8
22	72313272	2	NUT	DIN 934 M10-8A3L
23	72395431	1	RETAINER	
24			SEE FUEL ASSEMBLY	
25			SEE FUEL ASSEMBLY	
26	72357076	1	PIPE	
27	72356726	1	EXHAUST MUFFLER	
28	72348549	1	EXHAUST WEATHER CAP	
29	72315653	1	HEXAGONAL HEAD BOLT	DIN 933 M8 X 25-8.8A3L
	72313268	1	NUT	DIN 934 M8-8A3L
	72315053	1	SPLIT WASHER	FWN 65208-8-A3L
30	72451055	1	EXHAUST EXTENSION SWEDEN	UP WITH WEATHER CAP

FARMER 310 (192/02001-03400)  
5276



5276



**Suggest:**

**For more complete manuals. Please go to the home page.**

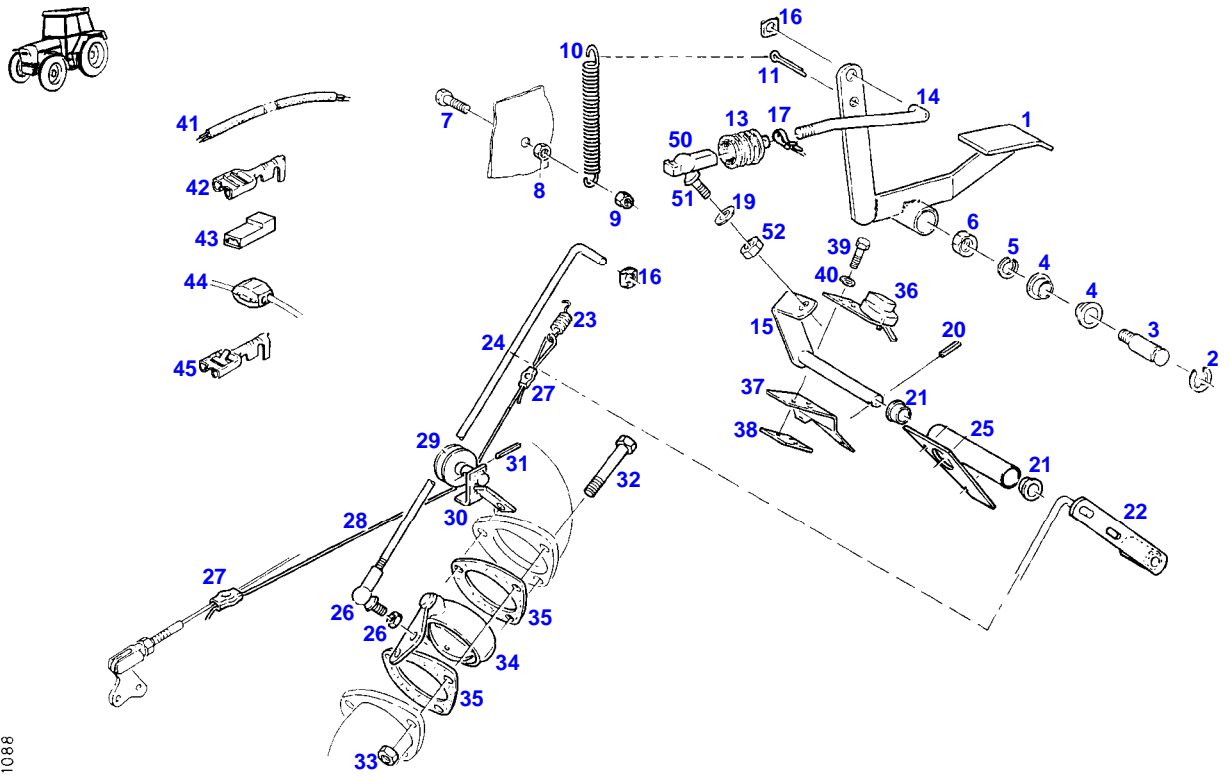
**<https://www.ebooklibonline.com>**

**If the above button click is invalid. Please download this document first, and then click the above link to download the complete manual.**

**Thank you so much for reading**

Item	Part Number	Qty	Description Comments	Technical Specification
<b>ENGINE BRAKE</b>				
1	72332443	1	EXHAUST PIPE	
2	72332145	4	MOLDED SEAL	
3	72313777	8	STUD BOLT	DIN 939 M10X35-8.8
4	72373015	8	NUT	DIN70615-M10-8-A3B
5	72332442	1	MOLDED SEAL	
6	72313770	4	STUD BOLT	FWN64891-M8X20-8.8
7	72313269	4	NUT	DIN 934 M8-8C2A
8	72377180	2	PISTON RING	ISO6622-1 R-70X2-MC12
9	72395430	1	BEND	
10	72407298	1	MOLDED SEAL	
11	72315653	3	HEXAGONAL HEAD BOLT	DIN 933 M8 X 25-8.8A3L
12	72313269	5	NUT	DIN 934 M8-8C2A
13	72313775	2	STUD BOLT	DIN 939 M8X70-8.8A3L
14	72311788	2	DISC	DIN 125-8,4-ST.A3L
17	72373954	1	SCREW	DIN 906-R3/8-ST
18	72395429	1	EXHAUST PIPE	
19	72356725	1	SHIELD	
20	72372509	2	THREADED INSERT	M4
21	72315614	2	HEXAGONAL HEAD BOLT	DIN 933-M4X8-8.8-A3L
22	72311817	2	DISC	DIN9021-4,3-140HV-A3L
23	72374183	2	HEXAGONAL HEAD BOLT	DIN 931 M10X75-8.8
24	72313272	2	NUT	DIN 934 M10-8A3L
25	72395431	1	RETAINER	
26	72357080	1	PIPE	
27	72315653	1	HEXAGONAL HEAD BOLT	DIN 933 M8 X 25-8.8A3L
	72313268	1	NUT	DIN 934 M8-8A3L
	72315053	1	SPLIT WASHER	FWN 65208-8-A3L
28	72356726	1	EXHAUST MUFFLER	
29	72348549	1	EXHAUST WEATHER CAP	
30	72451055	1	EXHAUST EXTENSION	UP WITH WEATHER CAP

FARMER 310 (192/02001-03400)  
11088



11088

**<https://www.ebooklibonline.com>**

Hello dear friend!

Thank you very much for reading.

Enter the link into your browser.

The full manual is available for immediate download.

**<https://www.ebooklibonline.com>**