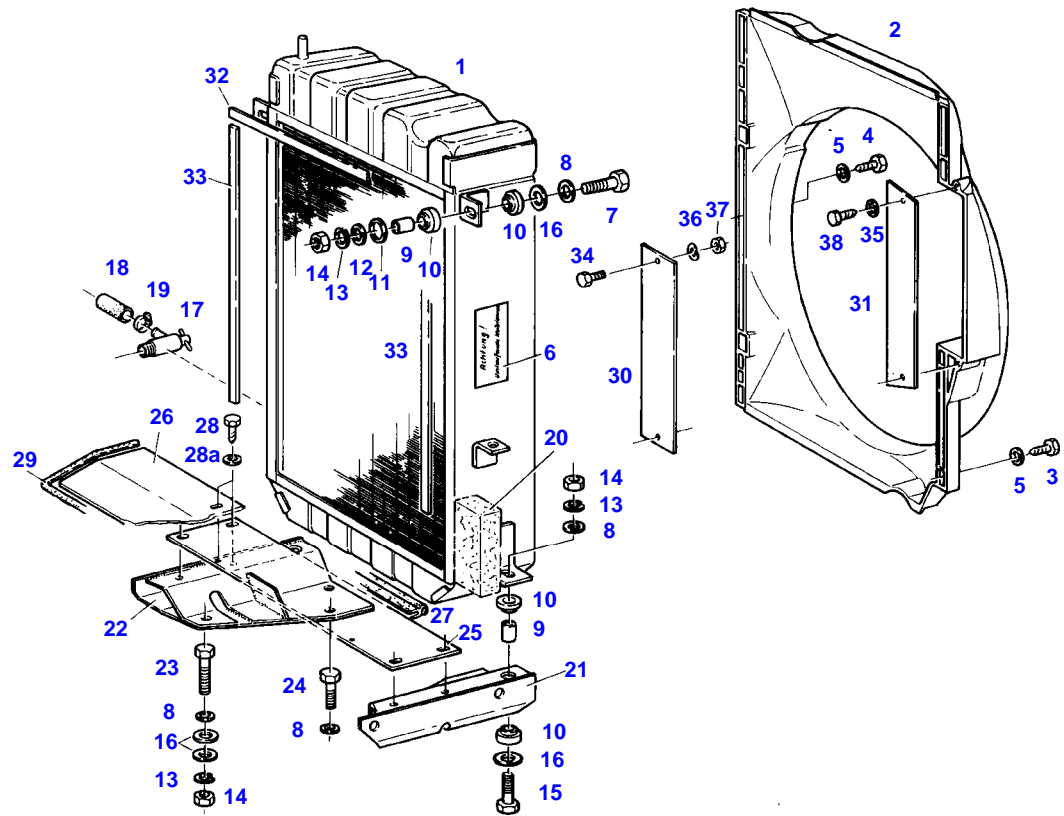


**TABLE OF CONTENT**

<b>Page Number</b>	<b>Page Title</b>	<b>Page Reference</b>
01-000-TOC	ENGINE, FUEL AND EXHAUST SYSTEM	01-000-TOC
02-000-TOC	AXLES	02-000-TOC
03-000-TOC	STEERING SYSTEM	03-000-TOC
04-000-TOC	DRIVE TRAIN SYSTEM	04-000-TOC
05-000-TOC	COMPRESSED AIR SYSTEM	05-000-TOC
06-000-TOC	HYDRAULIC SYSTEM	06-000-TOC
07-000-TOC	ELECTRICAL SYSTEM	07-000-TOC
08-000-TOC	CAB	08-000-TOC
09-000-TOC	AIR CONDITIONING AND HEATING SYSTEM	09-000-TOC
10-000-TOC	CHASSIS	10-000-TOC
11-000-TOC	WHEELS	11-000-TOC
12-000-TOC	IMPLEMENT LIFT SYSTEM FRONT	12-000-TOC
13-000-TOC	IMPLEMENT LIFT SYSTEM REAR	13-000-TOC
14-000-TOC	FRONT/REAR LOADERS	14-000-TOC
15-000-TOC	ACCESSORIES	15-000-TOC

FARMER 310 (192/00001-02000)  
3090



3090

Item	Part Number	Qty	Description Comments	Technical Specification
<b>RANGE OF TEMPERATURE 2 / 1+2 WITH AIR CONDITION</b>				
1	72348656	1	RADIATOR	
2	72396296	1	FAN COVER	
3	72315818	4	SCREW	DIN7976-ST4,2X25-C-A3L
4	72315787	2	SCREW	DIN 7981 B4,2X16-A3L
5	72311817	6	DISC	DIN9021-4,3-140HV-A3L
6	72379109	2	MARKING PLATE	FWN66556-35X68-SCHUTZVORR.N.OE
7	72315663	2	HEXAGONAL HEAD BOLT	DIN 933 M8X40-8.8A3L
8	72311788	10	DISC	DIN 125-8,4-ST.A3L
9	72310718	4	BUSH	
10	72312479	8	UNIVERSAL SPOUT	
11	72311793	2	DISC	DIN 125-17-ST.A3L
12	72311824	2	DISC	DIN9021-8,4-140HV-A3L
13	72315053	8	SPLIT WASHER	FWN 65208-8-A3L
14	72313268	8	NUT	DIN 934 M8-8A3L
15	72315660	2	HEXAGONAL HEAD BOLT	DIN 933 M8X35-8.8A3L
16	72311888	10	DISC	
17	72378063	1	RELIEF VALVE	DIN71401-CM14X1,5KEG
18	72389310	1	HOSE	
19	72438345	1	HOSE CLIP	
20	72396300	2	SEALING STRIP	
21	72357306	1	BRACKET	
22	72357307	1	BRACKET	
23	72315668	4	HEXAGONAL HEAD BOLT	DIN 933 M8X50-8.8A3L
24	72315660	2	HEXAGONAL HEAD BOLT	DIN 933 M8X35-8.8A3L
25	72396301	1	COVER PLATE	
26	72396302	1	SPLASH PANEL	
27	72451235	1	PROTECTIVE STRIP 1X 440 MM CUT TO LENGTH	L=700 FWN 63040
28	72315820	6	SCREW	DIN7976-ST6,3X13-C-A3L
	72311787	6	DISC	DIN 125-6,4-ST.A3L
29	72450971	1	SHAPED CORD 1X 740 MM CUT TO LENGTH	L=1000 FWN 63040 C02
30	72396336	1	PLATE 2WD	
31	72396337	1	COVER PLATE 2WD	
32	72450581	1	SEALING STRIP 1X 450 MM CUT TO LENGTH	L=20M
33	72450581	1	SEALING STRIP 2X 400 MM CUT TO LENGTH	L=20M
34	72315620	2	HEXAGONAL HEAD BOLT 2WD	DIN 933 M5X10-8.8
35	72311818	2	DISC 2WD	DIN9021-5,3-140HV-A3L
36	72315051	2	SPLIT WASHER 2WD	FWN 65208-5-A3L
37	72313264	2	NUT 2WD	DIN 934 M5-8A3L
38	72315814	2	SCREW 2WD	DIN7976-ST4,8X16-F-A3L

**<https://www.ebooklibonline.com>**

Hello dear friend!

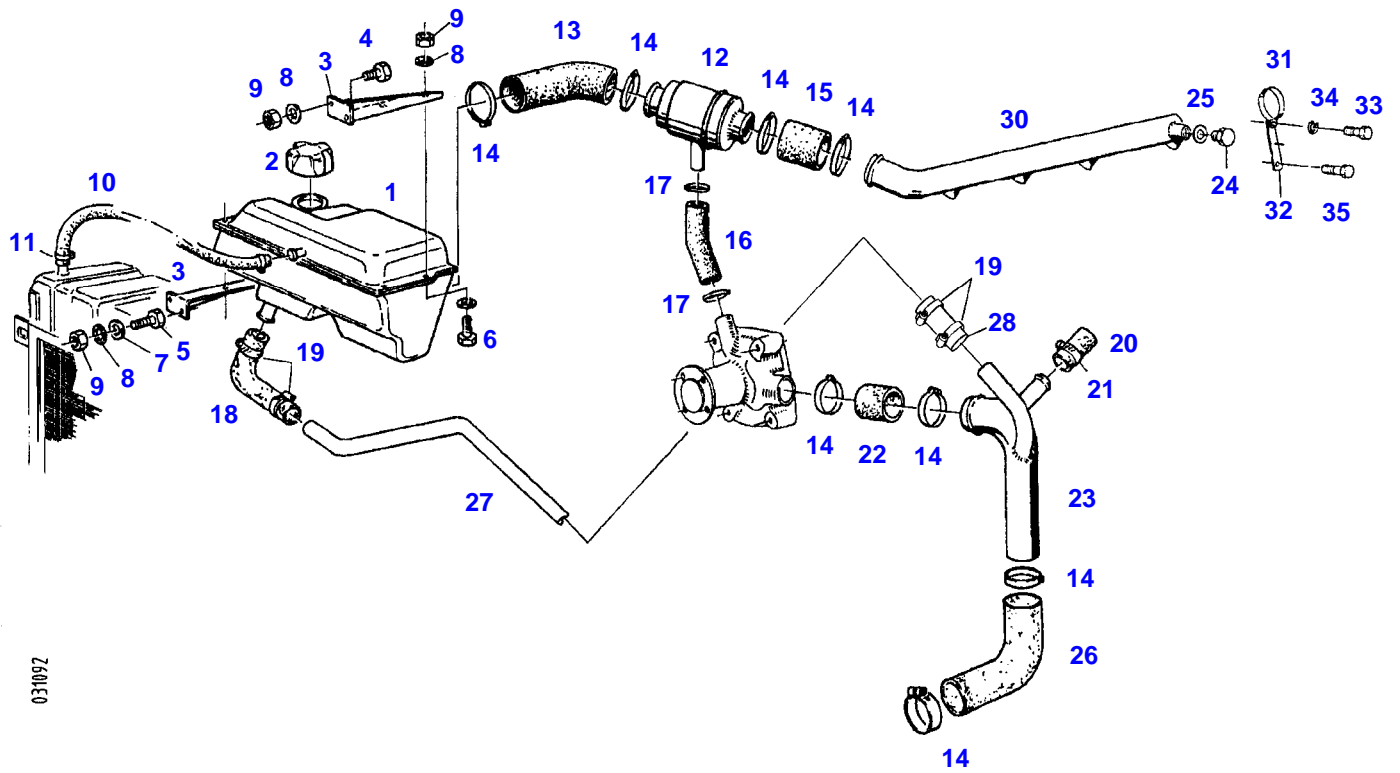
Thank you very much for reading.

Enter the link into your browser.

The full manual is available for immediate download.

**<https://www.ebooklibonline.com>**

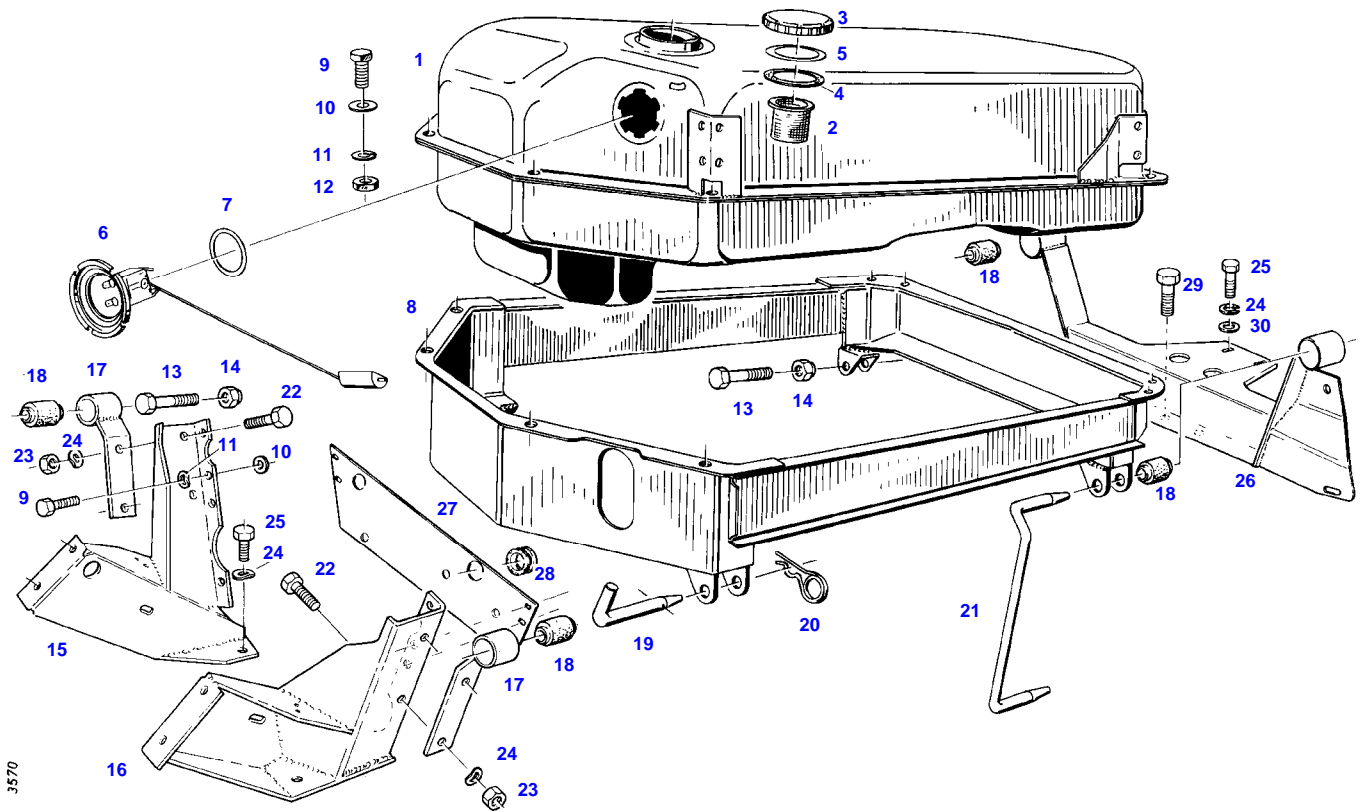
FARMER 310 (192/00001-02000)  
31092



031092

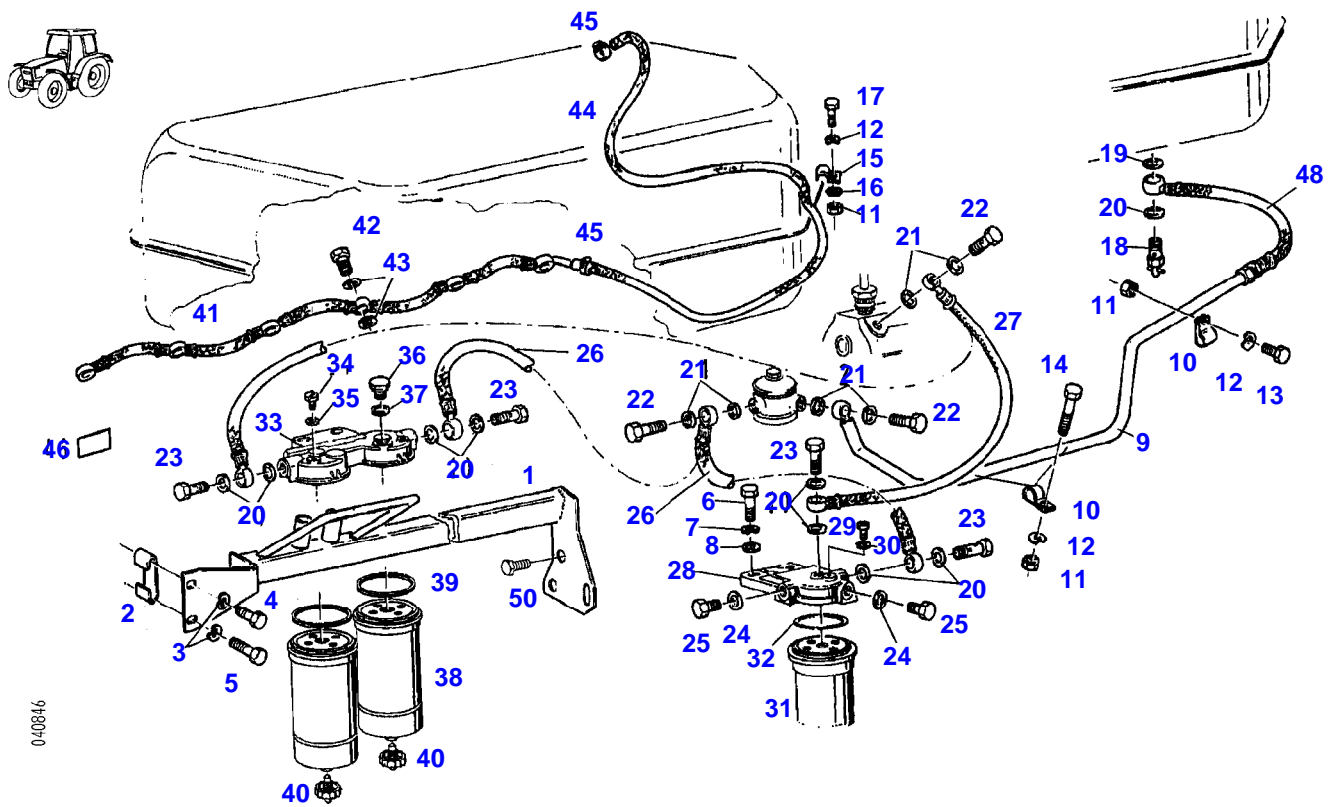
Item	Part Number	Qty	Description Comments	Technical Specification
1	72316897	1	EXPANSION TANK <>	
	72409370	1	CAP	
	72438345	1	HOSE CLIP	
2	72348672	1	COLLER LOCKING	
3	72396298	2	RETAINER	
4	72315629	3	HEXAGONAL HEAD BOLT	DIN 933 M6 X 12-8.8A3L
5	72315626	1	HEXAGONAL HEAD BOLT	DIN 933-M6 X 16-8.8-A3L
6	72315631	4	HEXAGONAL HEAD BOLT	DIN 933 M6 X 20-8.8A3L
7	72311787	1	DISC	DIN 125-6,4-ST.A3L
	72311822	4	DISC	DIN9021-6,4-140HV-A3L
8	72315052	8	SPLIT WASHER	FWN 65208-6-A3L
9	72313266	8	NUT	DIN 934 M6-8A3L
10	72622024	1	PRESSURE HOSE 1X 210 MM CUT TO LENGTH	L=0,50M 8X3,5-FWN65911
11	72438345	2	HOSE CLIP	
12	72380193	1	THERMOSTAT	75GR+-2GR
13	72396299	1	RUBBER ARCH	
14	72311162	8	HOSE CLIP	
15	72450416	1	HOSE 1X 50MM CUT TO LENGTH	L=120 DIN73411-35X
16	72399872	1	RUBBER ARCH	
17	72311167	2	HOSE CLIP	
18	72435869	1	RUBBER ARCH	
19	72311166	4	HOSE CLIP	
20	72404925	1	CAP	
21	72311166	1	HOSE CLIP	
22	72393672	1	REDUCER	
23	72357308	1	SUCTION LINE	
24	72315802	1	SCREW	DIN 7604 AM22X1,5-ST
25	72315101	2	SEALING WASHER	DIN 7603 A22X27-CU
26	72395412	1	RUBBER ARCH	
27	72396303	1	PIPE	
28	72450412	1	HOSE 1X 50MM CUT TO LENGTH	L=1000 18X3,5 R DIN 73411
30	72332460	1	COOLING WATER SUPPLY LINE F192	
31	72337051	2	PIPE CLAMP	
32	72332467	2	PLATE LINK	
33	72315630	2	HEXAGONAL HEAD BOLT	DIN 933 M6X18-8.8A3L
34	72315052	2	SPLIT WASHER	FWN 65208-6-A3L
35	72374403	2	HEXAGONAL HEAD BOLT	DIN 933 M6X10-8.8

FARMER 310 (192/00001-02000)  
3570



Item	Part Number	Qty	Description Comments	Technical Specification
1	72349994	1	FUEL TANK	
2	72433112	1	STRAINER	60X100-MS
3	72380143	1	FUEL CAP ><3-4 KOEHLER	M.BELUEF
	72348297	1	FUEL CAP ><3-5 BLAU	
4	72312304	1	RUBBER SEAL KOEHLER	
	72330725	1	SEAL BLAU	
5	72330726	1	SEAL BLAU	
6	72613427	1	FUEL LEVEL SENSOR ><7	
7	72315169	1	SEALING WASHER	
8	72357106	1	TANK FRAME	
9	72315626	9	HEXAGONAL HEAD BOLT	DIN 933-M6 X 16-8.8-A3L
10	72311822	16	DISC	DIN9021-6,4-140HV-A3L
11	72317120	10	SPRING WASHER	DIN 137 B6-MECH.VZK
12	72313266	10	NUT	DIN 934 M6-8A3L
13	72315719	2	HEXAGONAL HEAD BOLT	DIN 933 M12X60-8.8A3L
14	72313325	2	NUT	DIN 980-VM12-8-A3L
15	72355440	1	BRACKET LEFT	
16	72355441	1	BRACKET RIGHT	
17	72357100	2	BEARING <>	
	72357100	1	BEARING	
18	72310644	4	RUBBER BUSHING	
19	72407288	2	BEARING PIN	
20	72311183	2	HAIR COTTER PIN	DIN 11024-4-A3L
21	72393681	1	BEARING PIN	
22	72315657	4	HEXAGONAL HEAD BOLT	DIN 933 M8 X 30-8.8A3L
23	72313268	4	NUT	DIN 934 M8-8A3L
24	72317121	12	SPRING WASHER	DIN 137 B8-MECH.VZK
25	72315642	8	HEXAGONAL HEAD BOLT	DIN 933 M8 X 16-8.8A3L
26	72355727	1	CROSSMEMBER	
27	72395911	1	SHEET METAL	
28	72379152	1	CABLE BUSHING	HV1305
29	72315675	2	HEXAGONAL HEAD BOLT	DIN 933 M10X16-8.8A3L
30	72311788	2	DISC	DIN 125-8,4-ST.A3L

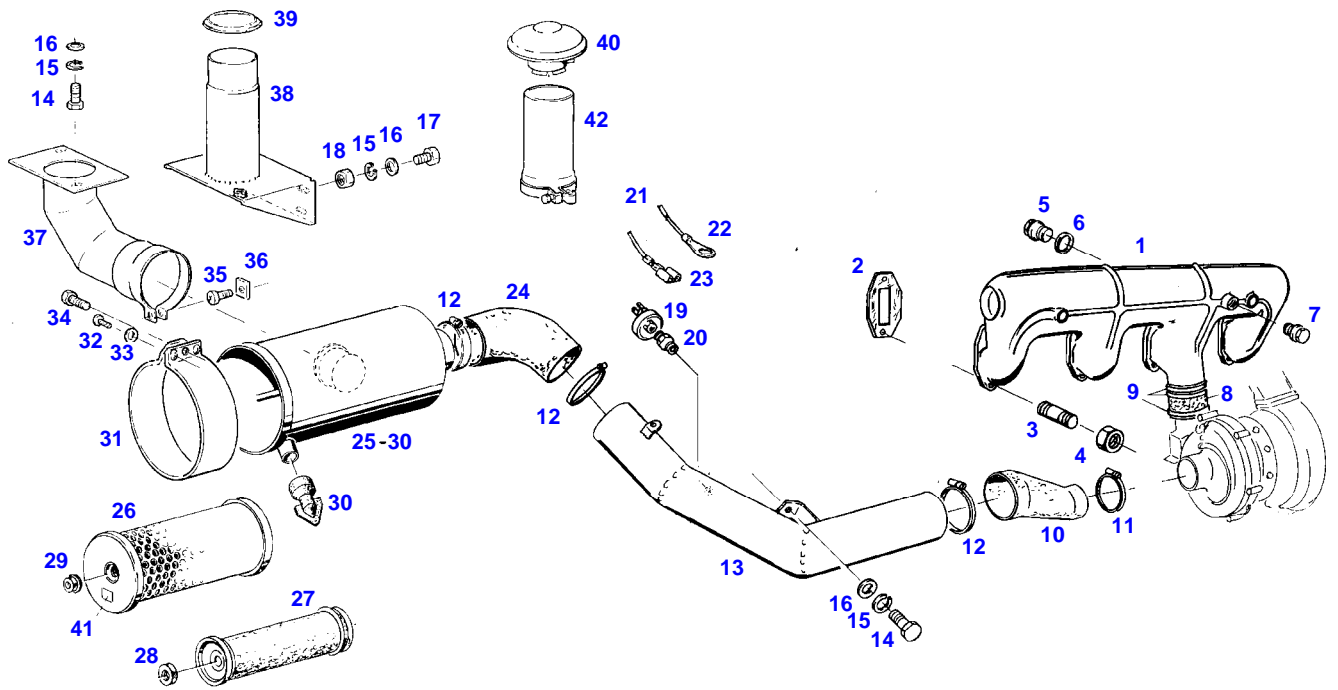
FARMER 310 (192/00001-02000)  
40846



Item	Part Number	Qty	Description Comments	Technical Specification
1	72356743	1	RETAINER	
2	72399913	1	HOLDER	
3	72317122	2	SPRING WASHER	DIN 137 B10-MECH.VZK
4	72315689	1	HEXAGONAL HEAD BOLT	DIN 933 M10X35-8.8A3L
5	72315691	1	HEXAGONAL HEAD BOLT	DIN 933 M10X40-8.8A3L
6	72315657	2	HEXAGONAL HEAD BOLT	DIN 933 M8 X 30-8.8A3L
7	72317121	2	SPRING WASHER	DIN 137 B8-MECH.VZK
8	72311824	2	DISC	DIN9021-8,4-140HV-A3L
9	72356707	1	TUBING	
10	72311241	2	PIPE CLAMP	
11	72313266	3	NUT	DIN 934 M6-8A3L
12	72317120	3	SPRING WASHER	DIN 137 B6-MECH.VZK
13	72315626	1	HEXAGONAL HEAD BOLT	DIN 933-M6 X 16-8.8-A3L
14	72315637	1	HEXAGONAL HEAD BOLT	DIN 933 M6X45-8.8A3L
15	72398941	2	FASTENING COLLAR	
16	72311822	4	DISC	DIN9021-6,4-140HV-A3L
17	72315631	2	HEXAGONAL HEAD BOLT	DIN 933 M6 X 20-8.8A3L
18	72380159	1	FUEL SHUT-OFF VALVE	
19	72315093	1	SEALING WASHER	DIN 7603 A12X18-CU
20	72315095	5	SEALING WASHER	DIN 7603 A14X20-CU
21	72315095	6	SEALING WASHER	DIN 7603 A14X20-CU
22	72315808	3	BANJO BOLT	DIN 7643-10-3-A3L
23	72315808	2	BANJO BOLT	DIN 7643-10-3-A3L
24	72315095	2	SEALING WASHER	DIN 7603 A14X20-CU
25	72315799	2	PLUG	DIN 7604 AM14X1,5-A3L
26	72356760	1	FUEL LINE	
27	72355537	1	FUEL LINE	
28	72615599	1	FILTER LID NOT AVAILABLE IN SINGLE PARTS >>29,30	
29	72323290	1	BLEED SCREW	
30	72315084	1	SEALING WASHER	DIN 7603 A6X10-CU
31	72416928	1	FILTER BOX >>32	
32	72314995	1	RUBBER RING	
33	72380173	1	PARALLEL FILTER BOSCH >>33-38 <-- X810.190.166.000 1X <>	
	72416928	2	FILTER BOX	
	72451307	1	COVER KNECHT >>33,34 <>	PARALLELFILT.
	72416928	2	FILTER BOX	
34	72323290	2	BLEED SCREW BOSCH	
	72314699	2	BLEED SCREW KNECHT	
35	72315084	2	SEALING WASHER BOSCH	DIN 7603 A6X10-CU
	72315086	2	SEALING WASHER KNECHT	DIN 7603 A8X11,5-CU
36	72326250	1	SCREW BOSCH	
37	72315095	1	SEALING WASHER BOSCH	DIN 7603 A14X20-CU
38	72416928	2	FILTER BOX >>39	
39	72314995	2	RUBBER RING	
	72416928	2	FILTER BOX	
40	72380174	2	SCREW	
41	72339360	1	LEAKAGE OIL LINE	
42	72315809	4	BANJO BOLT	DIN 7643-4-5-A3L
43	72315086	8	SEALING WASHER	DIN 7603 A8X11,5-CU

Item	Part Number	Qty	Description Comments	Technical Specification
44	72435830	1	PRESSURE HOSE 1150 MM CUT TO LENGTH	L=2100
45	72438345	2	HOSE CLIP	
46	72393682	1	MARKING PLATE	
48	72357312	1	HOSE LINE	
50	72374490	2	HEXAGONAL HEAD BOLT	DIN 933 M14X20-8.8

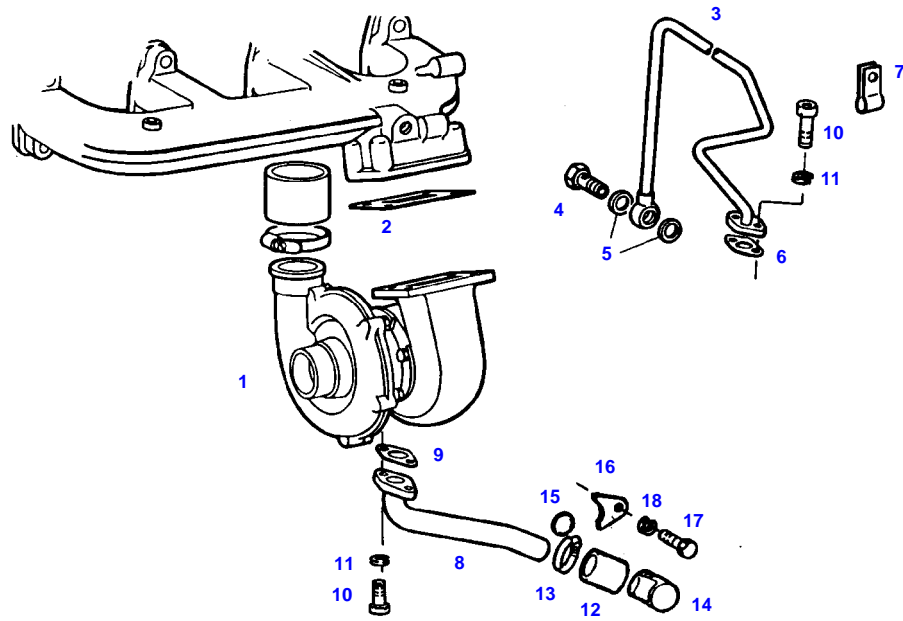
FARMER 310 (192/00001-02000)  
3566



3566

Item	Part Number	Qty	Description Comments	Technical Specification
1	72395914	1	INTAKE MANIFOLD	
2	72329730	4	MOLDED SEAL	
3	72373922	8	STUD BOLT	DIN 835-M10X25-8.8
4	72373015	8	NUT	DIN70615-M10-8-A3B
5	72373975	1	SCREW NOT WITH COLD STARD DEVICE	DIN 910 M20X1,5-ST
6	72376031	1	SEALING WASHER NOT WITH COLD STARD DEVICE	DIN 7603 A20X24-CU
7	72315433	1	SCREW	DIN 906 M14X1,5-ST
8	72332139	1	HOSE PIECE	
9	72311163	3	HOSE CLIP	
10	72395415	1	REDUCER	
11	72311163	1	HOSE CLIP	
12	72311171	3	HOSE CLIP	
13	72357069	1	INTAKE MANIFOLD	
	72357071	1	INTAKE MANIFOLD WITH AIR BRAKING SYSTEM	
14	72315650	3	HEXAGONAL HEAD BOLT	DIN 933 M8 X 20-8.8A3L
15	72315053	5	SPLIT WASHER	FWN 65208-8-A3L
16	72311788	5	DISC	DIN 125-8,4-ST.A3L
17	72315642	2	HEXAGONAL HEAD BOLT	DIN 933 M8 X 16-8.8A3L
18	72313268	2	NUT	DIN 934 M8-8A3L
			--> 192/0390 <> <>	
	72379171	0	WIRE	B1 DIN72551/6.51 SCHWARZ
	72380356	1	CABLE LUG	
	72314686	1	PLUG IN SLEEVE	
19	72316876	1	MAINTENANCE SWITCH	
20	72339032	1	THREADED SOCKET --> 192/0390	
21			NO LONGER AVAILABLE	
22	72380356	1	CABLE LUG	
23	72314686	1	PLUG IN SLEEVE	
24	72395421	1	RUBBER ARCH	
25	72348611	1	AIR FILTER ><25-30	
	72332518	1	COVER	
26	72332577	1	MICRO-TOP CARTRIDGE	
27	72332126	1	SAFETY CARTRIDGE	
28	72372827	1	NUT	DIN 934 M16X1,5-10A3L
29	72339030	1	COLLAR NUT	
30	72332513	1	DUST DISCHARGE VALVE	
31	72396306	1	CLAMP	
32	72315814	2	SCREW	DIN7976-ST4,8X16-F-A3L
33	72311785	2	DISC	DIN 125-5,3-ST.A3L
34	72315634	1	HEXAGONAL HEAD BOLT	DIN 933 M6X30-8.8A3L
35	72374982	1	OVAL HEAD SCREW	DIN 7985 M6X25-4.8A3L
36	72372783	1	SQUARE NUT	DIN 557 M6-5 A3L
37	72357316	1	PIPE BEND	
38	72357318	1	CONSOLE	
39	72396307	1	SEALING RING	
40	72331302	1	RAIN CAP	
41	72405883	1	ABSORPTION INDICATOR	
42	72384313	1	CONNECTING PIPE	

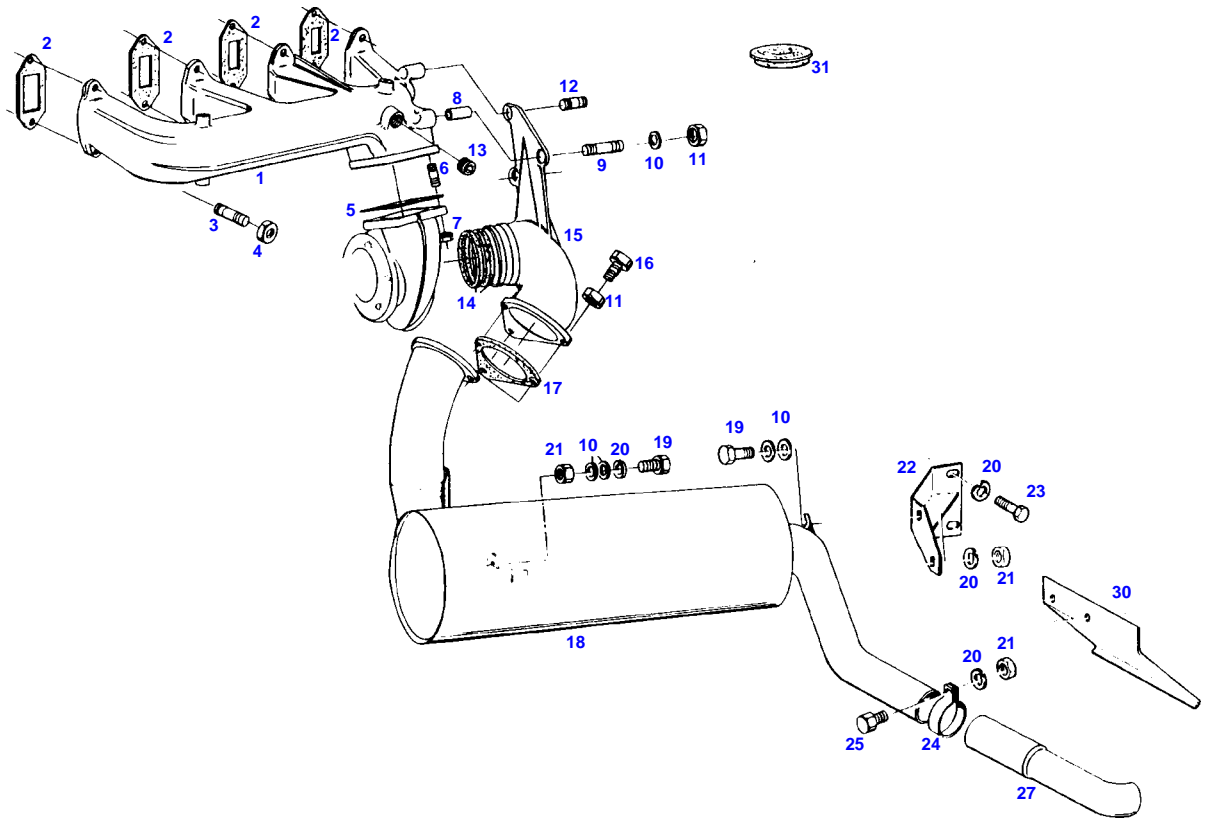
FARMER 310 (192/00001-02000)  
5274



5274

Item	Part Number	Qty	Description Comments	Technical Specification
1	72332433	1	TURBOCHARGER	
	72332434	1	SPARE PARTS KIT	
2			SEE EXHAUST	
3	72332435	1	LUBE OIL LINE	
4	72374956	1	BANJO BOLT	DIN7623/3.70-A10-6.8
5	72315098	2	SEALING WASHER	DIN 7603 A16X22-CU
6	72332436	1	OVAL GASKET	
7	72332437	1	PIPE CLAMP	
8	72332438	1	LUBE OIL LINE	
9	72332161	1	OVAL GASKET	
10	72374020	2	SOCKET HEAD BOLT	DIN 912 M8X20-10.9
	72315474	2	SOCKET HEAD BOLT	
11	72315053	4	SPLIT WASHER	FWN 65208-8-A3L
12	72332160	1	HOSE PIECE	
13	72311167	2	HOSE CLIP	
14	72332440	1	MANIFOLD	
15			NOT USED	
16			NOT USED	
17			NOT USED	
18			NOT USED	

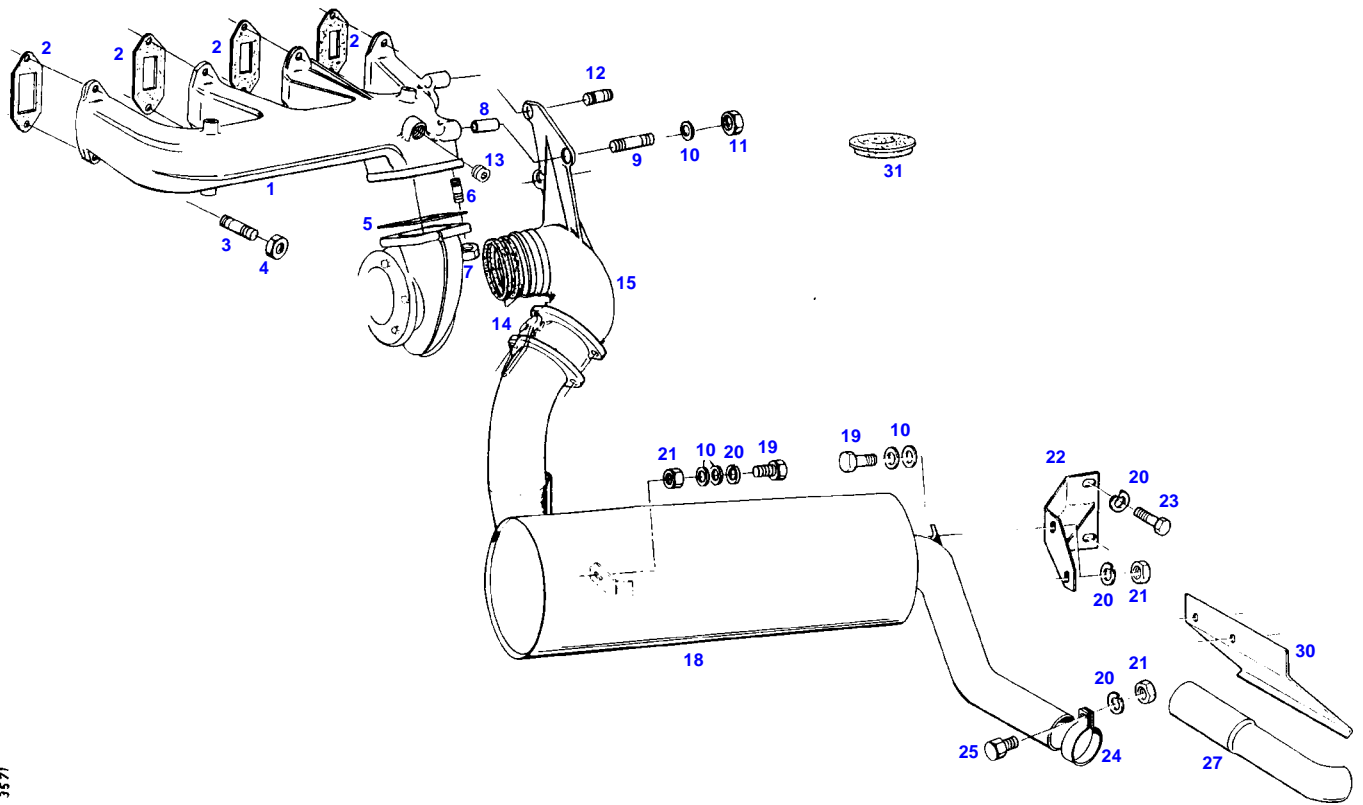
FARMER 310 (192/00001-02000)  
3572



3572

Item	Part Number	Qty	Description Comments	Technical Specification
1	72332443	1	EXHAUST PIPE	
2	72332145	4	MOLDED SEAL	
3	72374647	8	STUD BOLT	DIN 939-M10X40-8.8
4	72373015	8	NUT	DIN70615-M10-8-A3B
5	72332442	1	MOLDED SEAL	
6	72313770	4	STUD BOLT	FWN64891-M8X20-8.8
7	72313269	4	NUT	DIN 934 M8-8C2A
8	72395427	1	SPACER TUBE	
9	72313775	1	STUD BOLT	DIN 939 M8X70-8.8A3L
10	72311788	11	DISC	DIN 125-8,4-ST.A3L
11	72313269	6	NUT	DIN 934 M8-8C2A
12	72313770	2	STUD BOLT	FWN64891-M8X20-8.8
13	72373954	1	SCREW	DIN 906-R3/8-ST
14	72377180	2	PISTON RING	ISO6622-1 R-70X2-MC12
15	72395426	1	MANIFOLD	
16	72315653	3	HEXAGONAL HEAD BOLT	DIN 933 M8 X 25-8.8A3L
17	72407298	1	MOLDED SEAL	
18	72357115	1	EXHAUST MUFFLER	
			<>	
	72315534	3	HEXAGONAL HEAD BOLT	DIN 931 M8 X 70-8.8
	72407298	2	MOLDED SEAL	
	72395941	1	INTERMEDIATE PIECE	
19	72315646	3	HEXAGONAL HEAD BOLT	DIN 933 M8X18-8.8A3L
20	72315053	6	SPLIT WASHER	FWN 65208-8-A3L
21	72313268	4	NUT	DIN 934 M8-8A3L
22	72357075	1	GUSSET PLATE	
23	72315642	2	HEXAGONAL HEAD BOLT	DIN 933 M8 X 16-8.8A3L
24	72373437	1	PIPE CLAMP	DIN71555-63,5 EDELSTAHL
25	72315657	1	HEXAGONAL HEAD BOLT	DIN 933 M8 X 30-8.8A3L
27	72393695	1	EXHAUST TAILPIPE	
30	72395889	1	DEFLECTOR	
31	72395945	1	COVER	

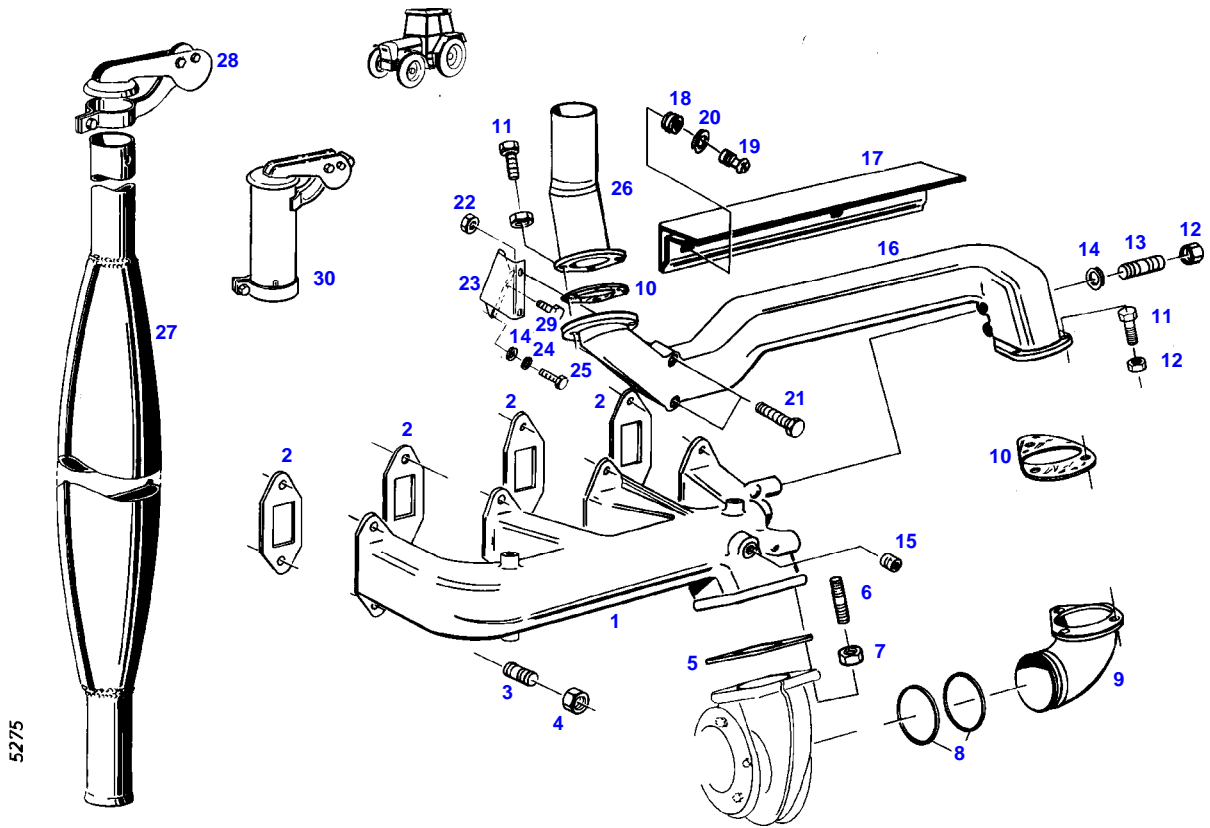
FARMER 310 (192/00001-02000)  
3571



3571

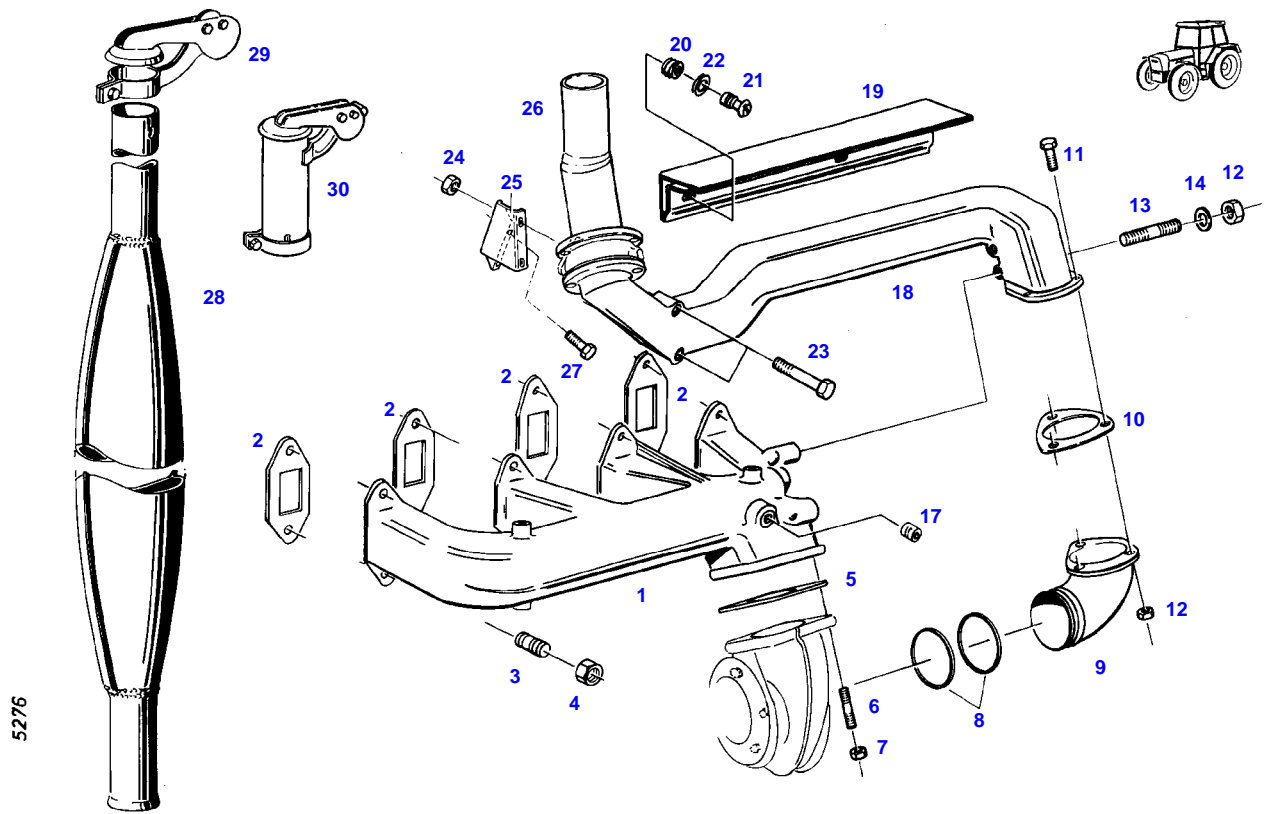
Item	Part Number	Qty	Description Comments	Technical Specification
<b>ENGINE BRAKE</b>				
1	72332443	1	EXHAUST PIPE	
2	72332145	4	MOLDED SEAL	
3	72374647	8	STUD BOLT	DIN 939-M10X40-8.8
4	72373015	8	NUT	DIN70615-M10-8-A3B
5	72332442	1	MOLDED SEAL	
6	72313770	4	STUD BOLT	FWN64891-M8X20-8.8
7	72313269	4	NUT	DIN 934 M8-8C2A
8	72395427	1	SPACER TUBE	
9	72313775	1	STUD BOLT	DIN 939 M8X70-8.8A3L
10	72311788	11	DISC	DIN 125-8,4-ST.A3L
11	72313269	3	NUT	DIN 934 M8-8C2A
12	72313770	2	STUD BOLT	FWN64891-M8X20-8.8
13	72373954	1	SCREW	DIN 906-R3/8-ST
14	72377180	2	PISTON RING	ISO6622-1 R-70X2-MC12
15	72395426	1	MANIFOLD	
18	72357115	1	EXHAUST MUFFLER	
19	72315646	3	HEXAGONAL HEAD BOLT	DIN 933 M8X18-8.8A3L
20	72315053	6	SPLIT WASHER	FWN 65208-8-A3L
21	72313268	4	NUT	DIN 934 M8-8A3L
22	72357075	1	GUSSET PLATE	
23	72315642	2	HEXAGONAL HEAD BOLT	DIN 933 M8 X 16-8.8A3L
24	72373437	1	PIPE CLAMP	DIN71555-63,5 EDELSTAHL
25	72315657	1	HEXAGONAL HEAD BOLT	DIN 933 M8 X 30-8.8A3L
27	72393695	1	EXHAUST TAILPIPE	
30	72395889	1	DEFLECTOR	
31	72395945	1	COVER	

FARMER 310 (192/00001-02000)  
5275



Item	Part Number	Qty	Description Comments	Technical Specification
1	72332443	1	EXHAUST PIPE	
2	72332145	4	MOLDED SEAL	
3	72313777	8	STUD BOLT	DIN 939 M10X35-8.8
4	72373015	8	NUT	DIN70615-M10-8-A3B
5	72332442	1	MOLDED SEAL	
6	72313770	4	STUD BOLT	FWN64891-M8X20-8.8
7	72313269	4	NUT	DIN 934 M8-8C2A
8	72377180	2	PISTON RING	ISO6622-1 R-70X2-MC12
9	72395430	1	BEND	
10	72407298	2	MOLDED SEAL	
11	72315653	6	HEXAGONAL HEAD BOLT	DIN 933 M8 X 25-8.8A3L
12	72313269	8	NUT	DIN 934 M8-8C2A
13	72313775	2	STUD BOLT	DIN 939 M8X70-8.8A3L
14	72311788	3	DISC	DIN 125-8,4-ST.A3L
15	72373954	1	SCREW	DIN 906-R3/8-ST
16	72395429	1	EXHAUST PIPE	
17	72356725	1	SHIELD	
18	72372509	2	THREADED INSERT	M4
19	72315614	2	HEXAGONAL HEAD BOLT	DIN 933-M4X8-8.8-A3L
20	72311817	2	DISC	DIN9021-4,3-140HV-A3L
21	72374183	2	HEXAGONAL HEAD BOLT	DIN 931 M10X75-8.8
22	72313272	2	NUT	DIN 934 M10-8A3L
23	72395431	1	RETAINER	
24			SEE FUEL ASSEMBLY	
25			SEE FUEL ASSEMBLY	
26	72357076	1	PIPE	
27	72356726	1	EXHAUST MUFFLER	
28	72348549	1	EXHAUST WEATHER CAP	
29	72315653	1	HEXAGONAL HEAD BOLT	DIN 933 M8 X 25-8.8A3L
	72313268	1	NUT	DIN 934 M8-8A3L
	72315053	1	SPLIT WASHER	FWN 65208-8-A3L
30	72451055	1	EXHAUST EXTENSION SWEDEN	UP WITH WEATHER CAP

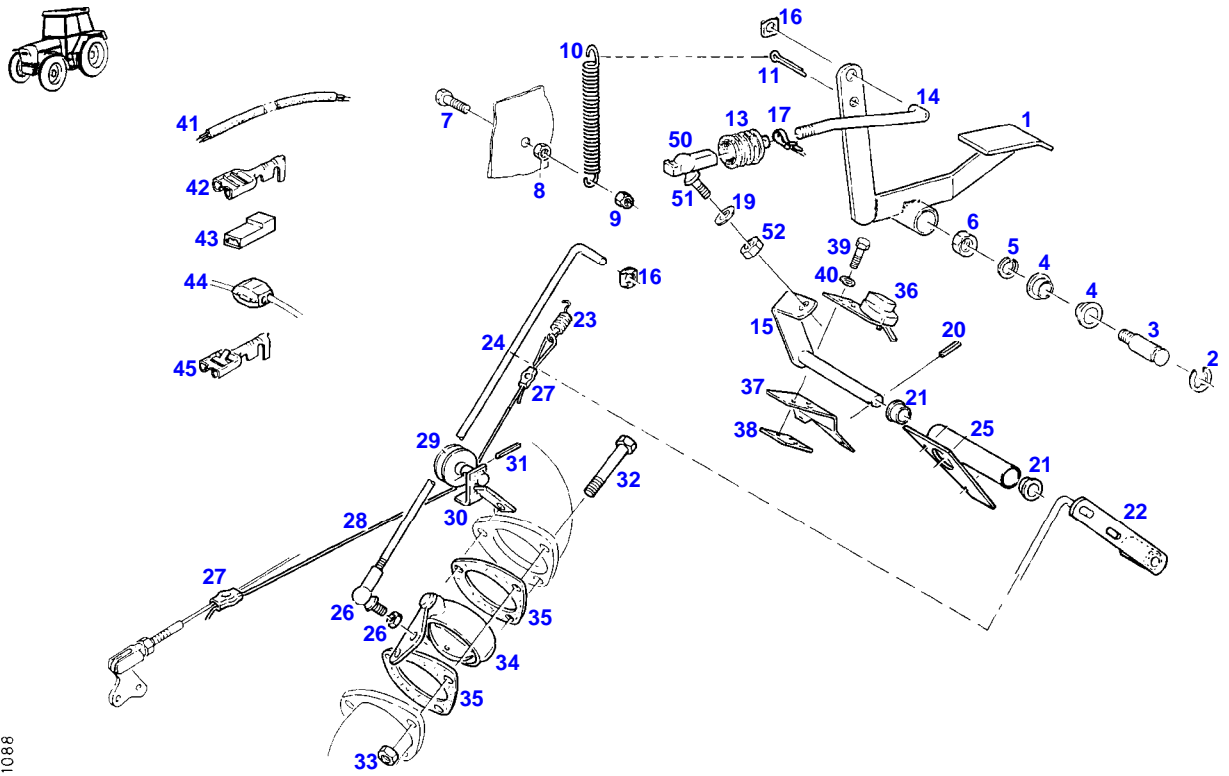
FARMER 310 (192/00001-02000)  
5276



5276

Item	Part Number	Qty	Description Comments	Technical Specification
<b>ENGINE BRAKE</b>				
1	72332443	1	EXHAUST PIPE	
2	72332145	4	MOLDED SEAL	
3	72313777	8	STUD BOLT	DIN 939 M10X35-8.8
4	72373015	8	NUT	DIN70615-M10-8-A3B
5	72332442	1	MOLDED SEAL	
6	72313770	4	STUD BOLT	FWN64891-M8X20-8.8
7	72313269	4	NUT	DIN 934 M8-8C2A
8	72377180	2	PISTON RING	ISO6622-1 R-70X2-MC12
9	72395430	1	BEND	
10	72407298	1	MOLDED SEAL	
11	72315653	3	HEXAGONAL HEAD BOLT	DIN 933 M8 X 25-8.8A3L
12	72313269	5	NUT	DIN 934 M8-8C2A
13	72313775	2	STUD BOLT	DIN 939 M8X70-8.8A3L
14	72311788	2	DISC	DIN 125-8,4-ST.A3L
17	72373954	1	SCREW	DIN 906-R3/8-ST
18	72395429	1	EXHAUST PIPE	
19	72356725	1	SHIELD	
20	72372509	2	THREADED INSERT	M4
21	72315614	2	HEXAGONAL HEAD BOLT	DIN 933-M4X8-8.8-A3L
22	72311817	2	DISC	DIN9021-4,3-140HV-A3L
23	72374183	2	HEXAGONAL HEAD BOLT	DIN 931 M10X75-8.8
24	72313272	2	NUT	DIN 934 M10-8A3L
25	72395431	1	RETAINER	
26	72357080	1	PIPE	
27	72315653	1	HEXAGONAL HEAD BOLT	DIN 933 M8 X 25-8.8A3L
	72313268	1	NUT	DIN 934 M8-8A3L
	72315053	1	SPLIT WASHER	FWN 65208-8-A3L
28	72356726	1	EXHAUST MUFFLER	
29	72348549	1	EXHAUST WEATHER CAP	
30	72451055	1	EXHAUST EXTENSION	UP WITH WEATHER CAP

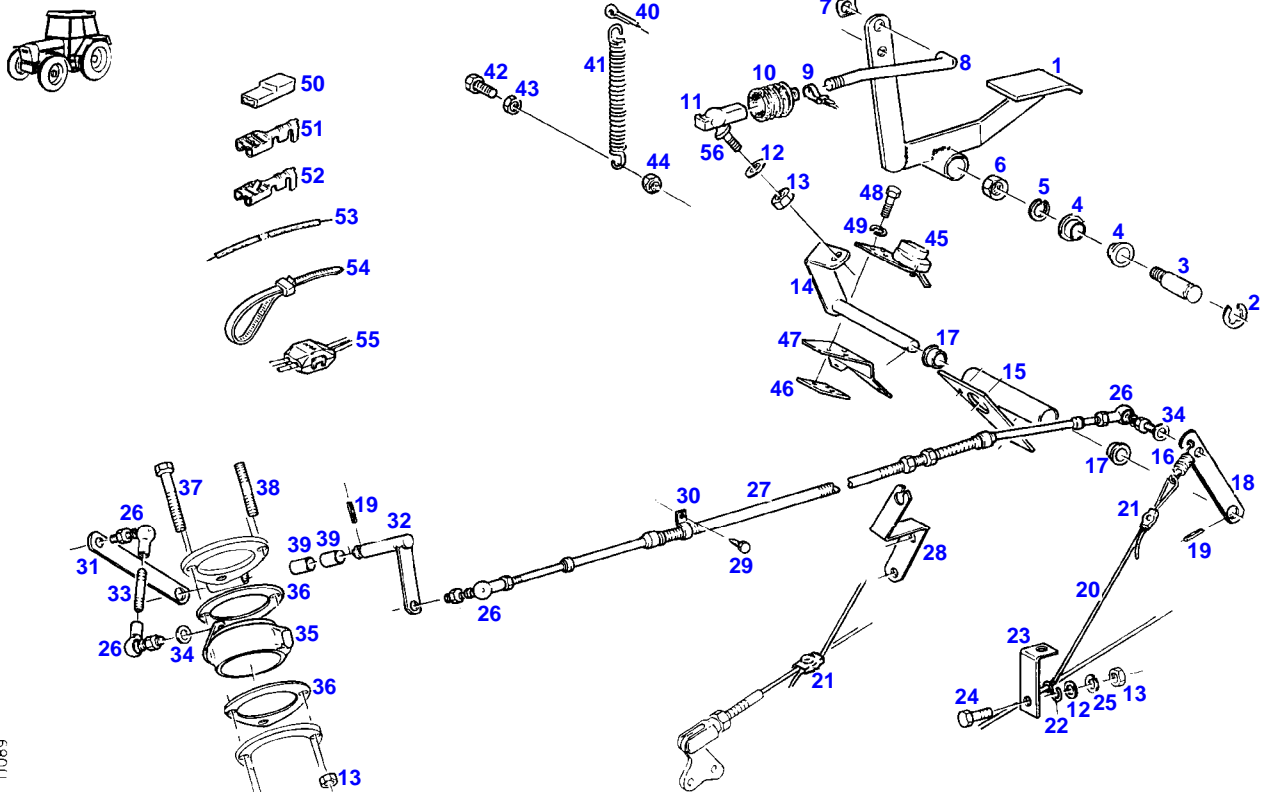
FARMER 310 (192/00001-02000)  
11088



11088

Item	Part Number	Qty	Description Comments	Technical Specification
<b>EXHAUST TO BOTTOM</b>				
1	72356732	1	FOOT LEVER	
2	72317146	1	LOCK WASHER	DIN6799-12-A3L
3	72394196	1	CARRIER	
4	72310596	2	BUSH	
5	72315054	1	SPLIT WASHER	FWN 65208-10-A3L
6	72313272	1	NUT	DIN 934 M10-8A3L
7	72315630	1	HEXAGONAL HEAD BOLT	DIN 933 M6X18-8.8A3L
8	72313266	1	NUT	DIN 934 M6-8A3L
9	72313318	1	NUT	DIN6925-M6-8-A3L
10	72394186	1	PULLING SPRING	
11	72313879	1	COTTER	DIN 94-5X20-ST.A3L
13	72377280	1	BELLOWS	
14	72395891	1	ROD	
15	72357081	1	LEVER	
16	72311180	2	DUO-CLIP	8 SXN10
17	72316916	3	CABLE STRAP	FWN 66650 B175X4-SW
	72438345	1	HOSE CLIP	
19	72311788	1	DISC	DIN 125-8,4-ST.A3L
20	72375133	1	TENSIONING PIN	ISO8752-4X24-A-ST-OB3
21	72393653	2	BUSH	
22	72395892	1	PLATE LINK	
23	72316492	1	PULLING SPRING	
24	72396323	1	ROD	
25	72357761	1	BEARING	
26	72375277	1	ANGLE JOINT	DIN71802 AS13 SW11-A3L
27	72333529	2	CABLE CLAMP	
28	72450805	1	ROPE	L=1000 DIN 3055-2-FE-ZNK 15
			1X 720 MM	
			CUT TO LENGTH	
29	72315323	1	CABLE SHEAVE	
30	72356733	1	BEARING PIN	
31	72313796	1	TENSIONING PIN	ISO8752-3X18-A-ST-OB3 FWN10256
32	72315672	3	HEXAGONAL HEAD BOLT	DIN 933 M8X70-8.8A3L
33	72313269	3	NUT	DIN 934 M8-8C2A
34	72348550	1	ENGINE BRAKE	
35	72407298	2	MOLDED SEAL	
36	72380877	1	ROTARY SWITCH	
37	72396322	1	ANGLE	
38	72394364	1	THREADED PLATE	
39	72315621	3	HEXAGONAL HEAD BOLT	DIN 933 M5X12-8.8A3L
40	72315051	3	SPLIT WASHER	FWN 65208-5-A3L
41				
			NO LONGER AVAILABLE	
42	72314686	2	PLUG IN SLEEVE	
43	72316071	2	BUSHING INSULATOR	
44	72379227	1	CABLE CONNECTOR	
45	72314785	1	PLUG IN SLEEVE	
50	72316306	1	BALL SOCKET	13SXN03R
51	72313853	1	BALL PIN	DIN 71803-C13-ST-A3L
52	72313268	1	NUT	DIN 934 M8-8A3L

FARMER 310 (192/00001-02000)  
11089



11089

Item	Part Number	Qty	Description Comments	Technical Specification
<b>EXHAUST UPRIGHT</b>				
1	72356732	1	FOOT LEVER	
2	72317146	1	LOCK WASHER	DIN6799-12-A3L
3	72394196	1	CARRIER	
4	72310596	2	BUSH	
5	72315054	1	SPLIT WASHER	FWN 65208-10-A3L
6	72313272	1	NUT	DIN 934 M10-8A3L
7	72311180	1	DUO-CLIP	8 SXN10
8	72395891	1	ROD	
9	72316916	1	CABLE STRAP	FWN 66650 B175X4-SW
	72438345	1	HOSE CLIP	
10	72377280	1	BELLOWS	
11	72316306	1	BALL SOCKET	13SXN03R
12	72311788	2	DISC	DIN 125-8,4-ST.A3L
13	72313269	4	NUT	DIN 934 M8-8C2A
14	72357336	1	LEVER	
15	72357761	1	BEARING	
	72315653	2	HEXAGONAL HEAD BOLT	DIN 933 M8 X 25-8.8A3L
16	72316492	1	PULLING SPRING	
17	72393653	2	BUSH	
18	72395892	1	PLATE LINK	
19	72375133	2	TENSIONING PIN	ISO8752-4X24-A-ST-OB3
20	72450805	1	ROPE 1X 720 MM CUT TO LENGTH	L=1000 DIN 3055-2-FE-ZNK 15
21	72333529	2	CABLE CLAMP	
22	72312621	1	HOOK	
23	72393706	1	ANGLE	
24	72315646	1	HEXAGONAL HEAD BOLT	DIN 933 M8X18-8.8A3L
25	72315053	1	SPLIT WASHER	FWN 65208-8-A3L
26	72375274	4	ANGLE JOINT	DIN71802 AS10 SW8-A3L
27	72380131	1	REMOTE OPERATION	
28	72395896	1	RETAINING BRACKET	
	72311237	1	<> FASTENING COLLAR	DIN 72571-1X10-ST A3L
29	72374968	1	SCREW	DIN7976-ST4,8X9,5-C-A3L
30	72394902	1	RETAINER --> 192/1460	
	72311237	1	FASTENING COLLAR <-- 192/1461	DIN 72571-1X10-ST A3L
31	72395893	1	LEVER	
32	72357085	1	LEVER	
33	72372581	1	THREADED PIN	DIN 915 M6X25-45H
34	72311787	2	DISC	DIN 125-6,4-ST.A3L
35	72348551	1	ENGINE BRAKE	
36	72407298	2	MOLDED SEAL	
37	72315672	2	HEXAGONAL HEAD BOLT	DIN 933 M8X70-8.8A3L
38	72374632	1	STUD BOLT	DIN 939 M8X55-8.8
39	72310681	2	BEARING BUSHING	FWN 66050 B1215
40	72313879	1	COTTER	DIN 94-5X20-ST.A3L
41	72394186	1	PULLING SPRING	
42	72315630	1	HEXAGONAL HEAD BOLT	DIN 933 M6X18-8.8A3L
43	72313266	3	NUT	DIN 934 M6-8A3L
44	72313318	1	NUT	DIN6925-M6-8-A3L
45	72380877	1	ROTARY SWITCH	
46	72394364	1	THREADED PLATE	
47	72396322	1	ANGLE	
48	72315621	3	HEXAGONAL HEAD BOLT	DIN 933 M5X12-8.8A3L
49	72315051	3	SPLIT WASHER	FWN 65208-5-A3L
50	72316071	2	BUSHING INSULATOR	
51	72314686	2	PLUG IN SLEEVE	
52	72314785	1	PLUG IN SLEEVE	
53			NO LONGER AVAILABLE	

---

Fendt

FARMER 310 (192/00001-02000)

F192000

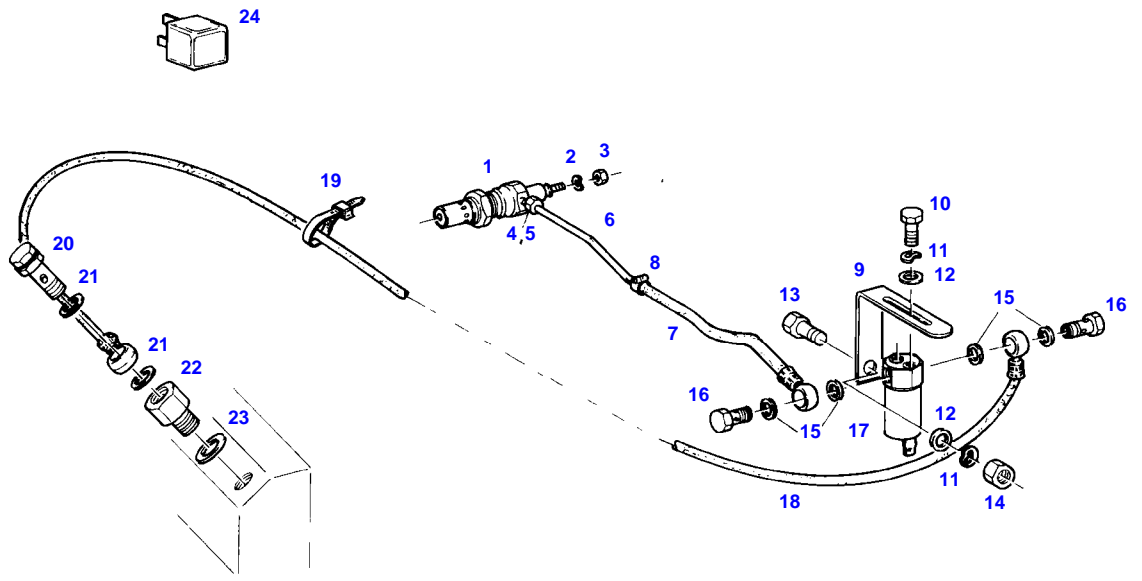
EXHAUST BRAKE

Page01-0016

---

Item	Part Number	Qty	Description Comments	Technical Specification
54	72316916	2	CABLE STRAP	FWN 66650 B175X4-SW
55	72379227	1	CABLE CONNECTOR	
56	72313853	1	BALL PIN	DIN 71803-C13-ST-A3L

FARMER 310 (192/00001-02000)  
3564



3564



**Suggest:**

**For more complete manuals. Please go to the home page.**

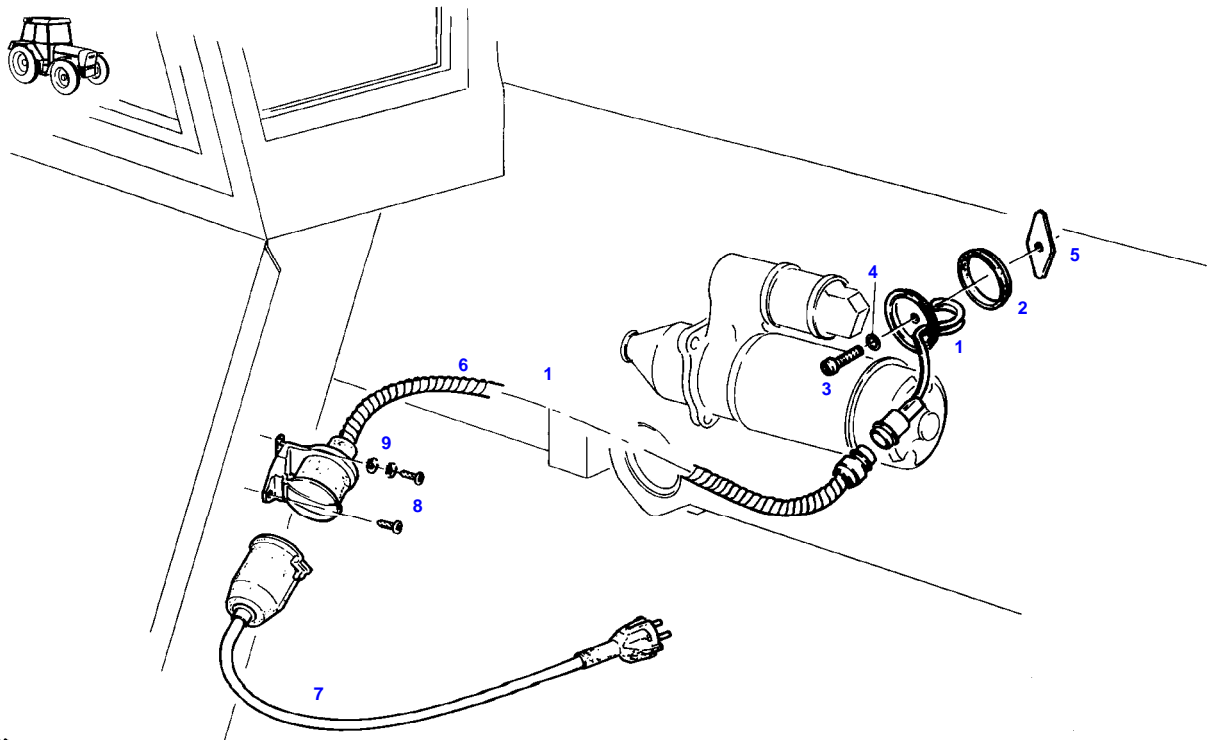
**<https://www.ebooklibonline.com>**

**If the above button click is invalid. Please download this document first, and then click the above link to download the complete manual.**

**Thank you so much for reading**

Item	Part Number	Qty	Description Comments	Technical Specification
1	72433489	1	ROD FLAME GLOW PLUG	
2	72317119	1	SPRING WASHER	DIN 137 B5-MECH.VZK
3	72313264	1	NUT	DIN 934 M5-8A3L
4	72377312	1	DOUBLE V-RING	DIN 3862-6-9SMNPB28K+G
5	72378005	1	CONNECTING NUT	DIN 3870 ALL6-9S20K A3L
6	72395442	1	PIPE	
7	72357086	1	LINE	
8	72438345	1	HOSE CLIP	
9	72395451	1	ANGLE	
10	72315629	2	HEXAGONAL HEAD BOLT	DIN 933 M6 X 12-8.8A3L
11	72317120	3	SPRING WASHER	DIN 137 B6-MECH.VZK
12	72311787	3	DISC	DIN 125-6,4-ST.A3L
13	72315626	1	HEXAGONAL HEAD BOLT	DIN 933-M6 X 16-8.8-A3L
14	72313266	1	NUT	DIN 934 M6-8A3L
15	72315088	4	SEALING WASHER	DIN 7603 A10X13,5-CU
16	72315806	2	BANJO BOLT	DIN 7643-6-3-A3L
17	72317090	1	VALVE SOLENOID	
18	72356767	1	FUEL LINE	
19	72316916	2	CABLE STRAP	FWN 66650 B175X4-SW
20	72380268	1	BLEED AND DRAIN VALVE	
21	72315094	2	SEALING WASHER	DIN 7603 A14X18-CU
22	72393707	1	REDUCER	
23	72315097	1	SEALING WASHER	DIN 7603 A16X20-CU
24	72428226	1	GLOW TIME RELAY	

FARMER 310 (192/00001-02000)  
4574



4574

**<https://www.ebooklibonline.com>**

Hello dear friend!

Thank you very much for reading.

Enter the link into your browser.

The full manual is available for immediate download.

**<https://www.ebooklibonline.com>**