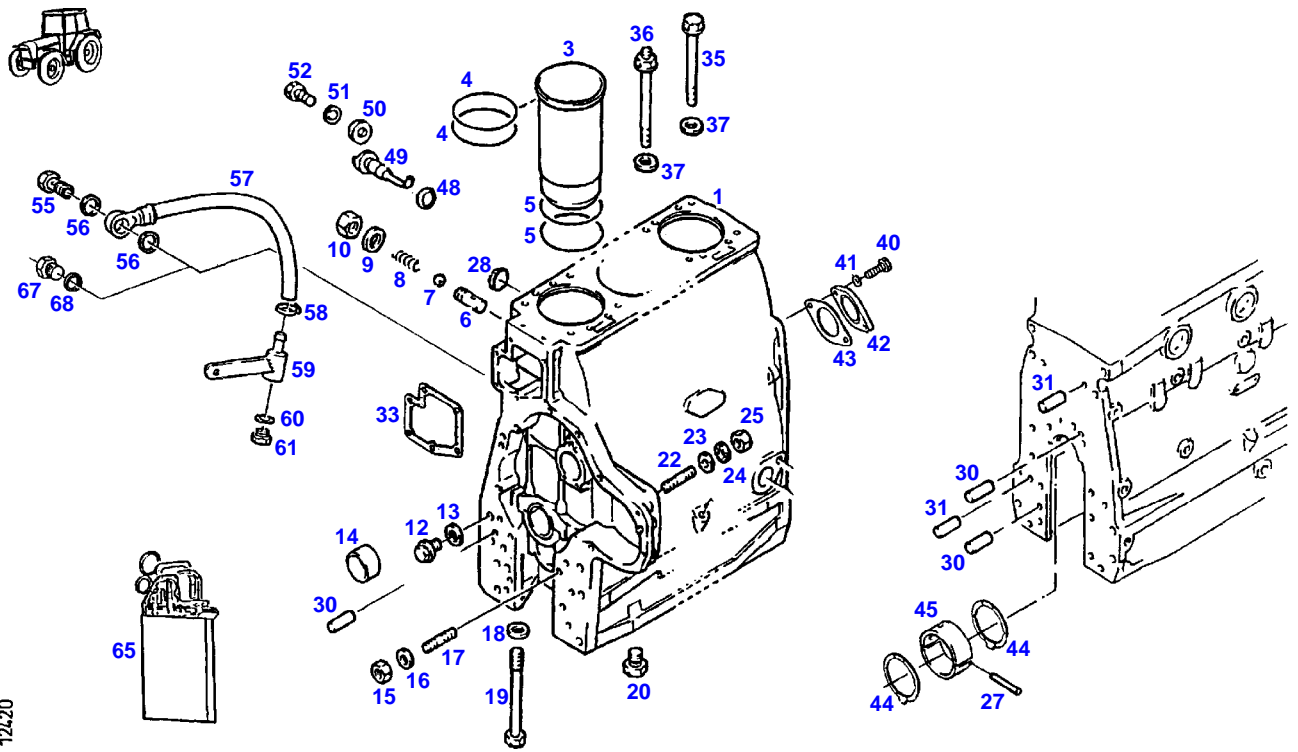


<b>Page Number</b>	<b>Page Title</b>	<b>Page Reference</b>
01-000-TOC	ENGINE, FUEL AND EXHAUST SYSTEM	01-000-TOC
02-000-TOC	AXLES	02-000-TOC
03-000-TOC	STEERING SYSTEM	03-000-TOC
04-000-TOC	DRIVE TRAIN SYSTEM	04-000-TOC
05-000-TOC	COMPRESSED AIR SYSTEM	05-000-TOC
06-000-TOC	HYDRAULIC SYSTEM	06-000-TOC
07-000-TOC	ELECTRICAL SYSTEM	07-000-TOC
08-000-TOC	CAB	08-000-TOC
09-000-TOC	AIR CONDITIONING AND HEATING SYSTEM	09-000-TOC
10-000-TOC	CHASSIS	10-000-TOC
11-000-TOC	WHEELS	11-000-TOC
12-000-TOC	IMPLEMENT LIFT SYSTEM FRONT	12-000-TOC
13-000-TOC	IMPLEMENT LIFT SYSTEM REAR	13-000-TOC
14-000-TOC	FRONT/REAR LOADERS	14-000-TOC
15-000-TOC	ACCESSORIES	15-000-TOC

FARMER 309 (309/00101-99999)  
12420



Item	Part Number	Qty	Description Comments	Technical Specification
	72415411	1	DIESEL ENGINE <-- 309/0101 --> 309/0300 <-- 309/1001 --> 309/3000 <-- Z309.200.011.010 ENGINE EXCHANGE F309	
	72415385	1	DIESEL ENGINE <-- 309/0301 --> 309/0400 <-- 309/3001 F309	
1	72416159	1	CRANKCASE >>3-28 ENG.NO. --> 765486 <> <>	
	72416321	1	CAMSHAFT	
	72340920	1	DISC	
	72340921	1	MIDGRIP NUT	
	72329118	1	PIPE	
	72337035	1	HEXAGONAL HEAD BOLT	
3	72425044	4	CYLINDER LINER	
	72416175	4	CYLINDER LINER OVERLAP 0,05 MM	
	72416176	4	CYLINDER LINER OVERLAP 0,1 MM	
4	72329541	8	SEAL	
	72431774	1	REPAIR KIT	
5	72343893	8	SEAL	
	72431774	1	REPAIR KIT	
6	72341074	1	SCREW PIECE	
7	72378872	1	BALL	DIN 5401-9,0MM
8	72341075	1	COMPRESSION SPRING	
9	72315097	1	SEALING WASHER	DIN 7603 A16X20-CU
10	72341076	1	CAP NUT	
12	72315436	1	SCREW	DIN 908 M10X1-ST A3L
13	72315088	1	SEALING WASHER	DIN 7603 A10X13,5-CU
14	72329540	1	BUSH	
15	72340921	1	MIDGRIP NUT	
16	72340920	1	DISC	
17	72374623	1	STUD BOLT	DIN 939-M8X25-8.8
18	72324592	10	DISC	
19	72327081	10	HEXAGONAL HEAD BOLT	
20	72337035	1	HEXAGONAL HEAD BOLT	
22	72313772	3	STUD BOLT	DIN 939 M8X30-8.8
23	72321257	3	DISC	
24	72315053	3	SPLIT WASHER	FWN 65208-8-A3L
25	72313268	3	NUT	DIN 934 M8-8A3L
27	72375130	5	TENSIONING PIN	ISO8752-4X8-A-ST-ZNPH
28	72377226	3	COVER	DIN 443-50
30	72313859	4	CYLINDER PIN	DIN 7-8M6X18-ST50K
31	72375324	2	CYLINDER PIN	DIN 7-10M6X28-ST50K
33	72327043	1	MOLDED SEAL	
35	72333013	14	SOCKET HEAD BOLT	
36	72333014	2	HEXAGONAL HEAD BOLT	
37	72324592	16	DISC	
40	72315650	2	HEXAGONAL HEAD BOLT	DIN 933 M8 X 20-8.8A3L
41	72315053	2	SPLIT WASHER	FWN 65208-8-A3L
42	72343896	1	COVER	
43	72333001	1	SEAL	
44	72343910	2	THRUST RING 70,00 MM	
	72343911	2	THRUST RING 69,79 MM	

**<https://www.ebooklibonline.com>**

Hello dear friend!

Thank you very much for reading.

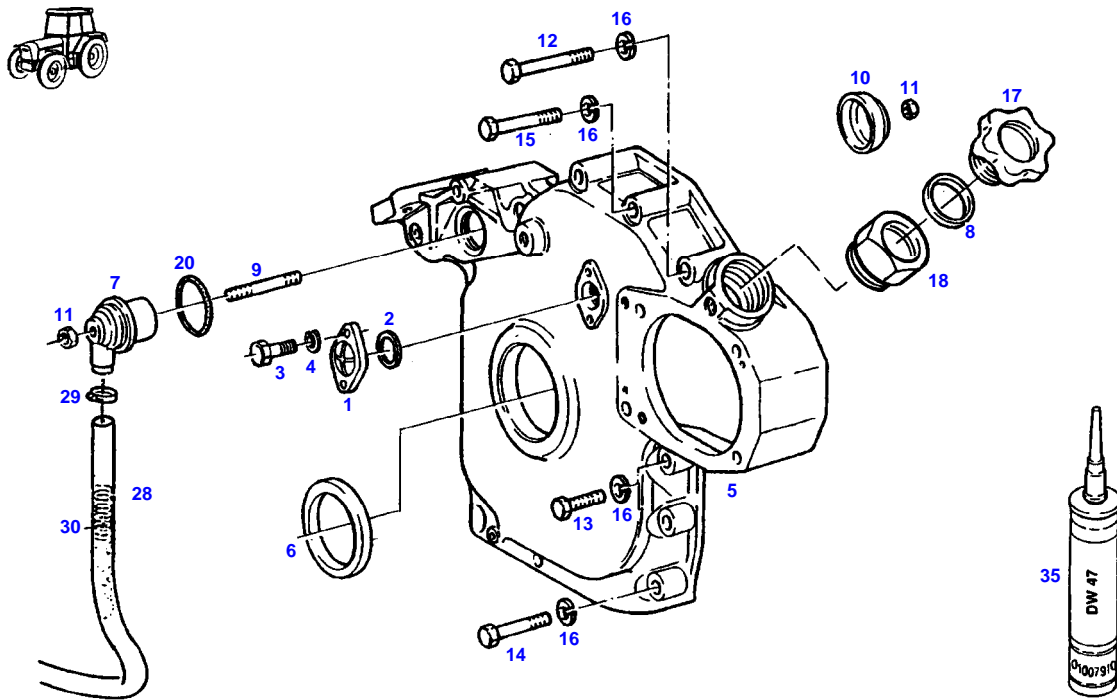
Enter the link into your browser.

The full manual is available for immediate download.

**<https://www.ebooklibonline.com>**

Item	Part Number	Qty	Description Comments	Technical Specification
	72343912	2	THRUST RING 69,54 MM	
	72343913	2	THRUST RING 69,04 MM	
45	72341078	5	MAIN BEARING 70,00 MM	
	72341079	5	MAIN BEARING 69,79 MM	
	72341080	5	MAIN BEARING 69,54 MM	
	72341081	5	MAIN BEARING 69,29 MM	
	72341082	5	MAIN BEARING 69,04 MM	
48	72376423	4	O-RING	14X3-NBR 70 FWN56402
49	72334018	4	NOZZLE	
50	72334019	4	DISC	
51	72315053	4	SPLIT WASHER	FWN 65208-8-A3L
52	72315642	4	HEXAGONAL HEAD BOLT	DIN 933 M8 X 16-8.8A3L
55	72315808	1	BANJO BOLT --> 309/1657	DIN 7643-10-3-A3L
56	72315094	2	SEALING WASHER --> 309/1657	DIN 7603 A14X18-CU
57	72313976	1	COOLING WATER DRAIN LINE --> 309/1657	
58	72438345	1	HOSE CLIP --> 309/1657	
59	72355704	1	HOSE RETAINER --> 309/1657	
60	72315088	1	SEALING WASHER --> 309/1657	DIN 7603 A10X13,5-CU
61	72315436	1	SCREW --> 309/1657	DIN 908 M10X1-ST A3L
65	72342939	1	SEAL KIT TD 226 B-4	
67	72315799	1	PLUG <-- 309/1658	DIN 7604 AM14X1,5-A3L
68	72315094	1	SEALING WASHER <-- 309/1658	DIN 7603 A14X18-CU

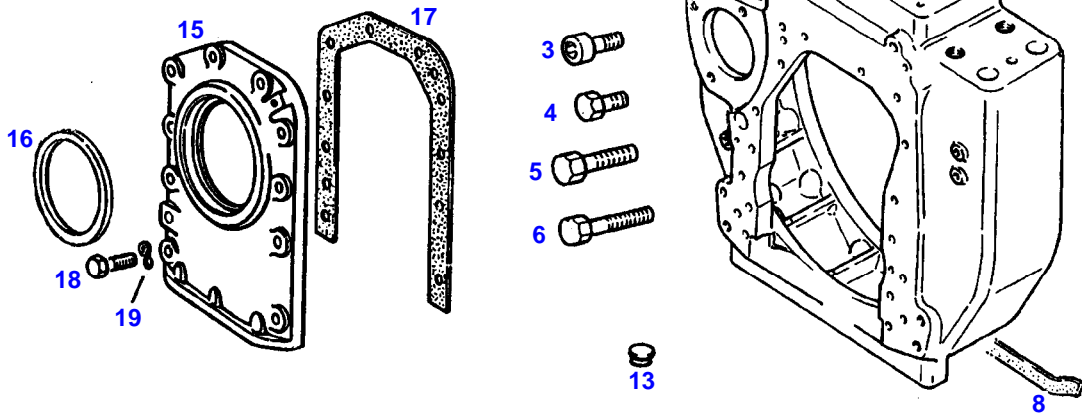
FARMER 309 (309/00101-99999)  
8328



8328

Item	Part Number	Qty	Description Comments	Technical Specification
1	72343896	1	COVER	
2	72376544	1	O-RING	42,2X3-NBR 70 FWN56402
3	72315650	2	HEXAGONAL HEAD BOLT	DIN 933 M8 X 20-8.8A3L
4	72317121	2	SPRING WASHER	DIN 137 B8-MECH.VZK
5	72342971	1	CRANKCASE END COVER	
6	72332982	1	RADIAL SEALING RING	
7	72326907	1	HOUSING	
8	72376514	1	O-RING	32X4-NBR 70 FWN56402
9	72326906	1	THREADED PIN	
10	72326904	1	COVER PANEL	
11	72372804	2	NUT	DIN 934 M6-10
12	72315535	1	HEXAGONAL HEAD BOLT	DIN 931 M8X75 GWA-10.9
13	72315660	1	HEXAGONAL HEAD BOLT	DIN 933 M8X35-8.8A3L
14	72374372	7	HEXAGONAL HEAD BOLT	DIN 931 M8X45S-8.8
15	72315534	5	HEXAGONAL HEAD BOLT	DIN 931 M8 X 70-8.8
16	72315053	13	SPLIT WASHER	FWN 65208-8-A3L
17	72321607	1	PLUG	
18	72342977	1	EXTENSION TUBE	
20	72376538	1	O-RING	40X4
28	72436284	1	HOSE 1X 830MM CUT TO LENGTH	L=1120 FWN65912-19X3-PVC-W-G
29	72311166	1	HOSE CLIP	
30	72407980	1	COMPRESSION SPRING	
35	72311273	1	SEALING COMPOUND	TEROST-63S

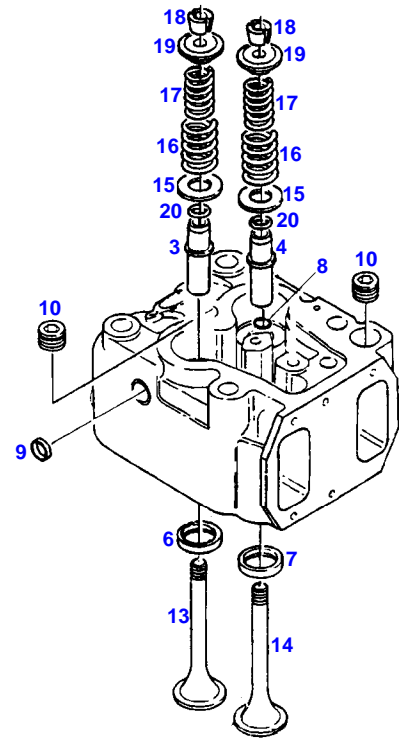
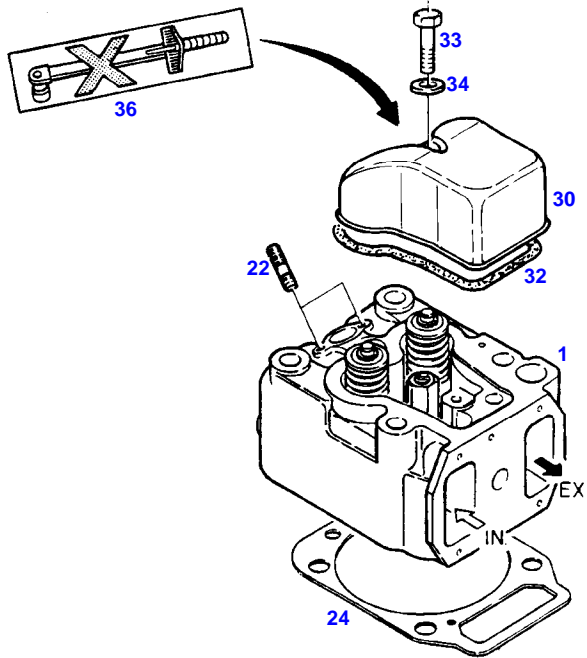
FARMER 309 (309/00101-99999)  
8564



8564

Item	Part Number	Qty	Description Comments	Technical Specification
1	72395452	1	HOUSING --> 309/1475 <-- 309/1479 --> 309/1480	
	72407199	1	HOUSING <-- 309/1476 --> 309/1478 <-- 309/1481	
3	72374469	4	HEXAGONAL HEAD BOLT	DIN 933-M12X45-12.9
4	72315686	10	HEXAGONAL HEAD BOLT	DIN 933-M10X35-12.9
5	72374220	4	HEXAGONAL HEAD BOLT	DIN 931-M12X80-12.9
6	72374189	2	HEXAGONAL HEAD BOLT	DIN 931 M10X85-12.9
8	72325584	1	RUBBER STRIP	
13	72314756	1	LOCKING PLUG F21	F21
	72375075	2	LOCKING PLUG F3	F3
	72314763	4	LOCKING PLUG F211	F211
	72314748	4	LOCKING PLUG F11	SW-F11
	72375092	4	LOCKING PLUG F12	V14
	72375100	1	SCREW PLUG M18	M18
	72317290	1	TAPERED PLUG B47	
15	72330754	1	CRANKCASE END COVER ><16	
16	72376834	1	SHAFT SEAL	110X130X14,5
17	72330755	1	MOLDED SEAL	
18	72315652	10	HEXAGONAL HEAD BOLT	DIN 933 M8X25-8.8
19	72317121	10	SPRING WASHER	DIN 137 B8-MECH.VZK

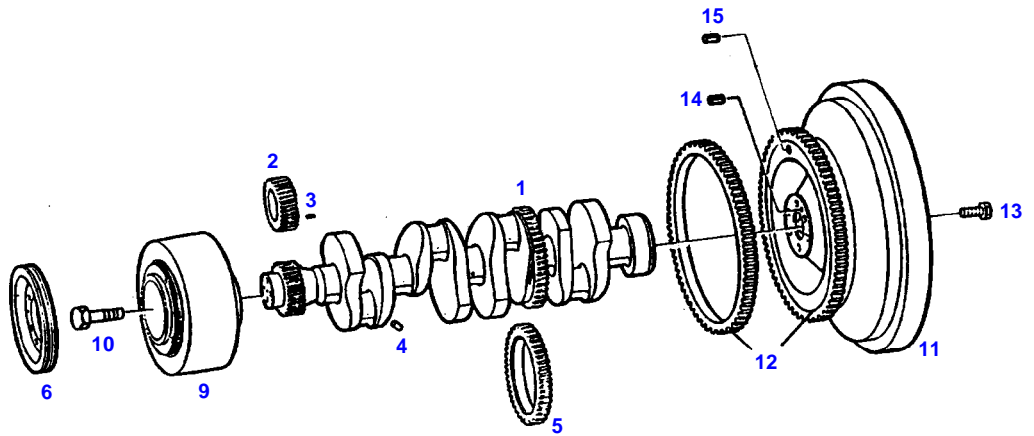
FARMER 309 (309/00101-99999)  
10872



10872

Item	Part Number	Qty	Description Comments	Technical Specification
1	72342974	4	CYLINDER HEAD ><3-20	
3	72343644	4	VALVE GUIDE INTAKE	
4	72343645	4	VALVE GUIDE OUTLET	
6	72343650	4	VALVE SEAT RING INTAKE	
7	72343902	4	VALVE SEAT RING OUTLET	
8	72327100	8	LOCKWASHER	
9	72311455	12	COVER	
10	72373948	8	PLUG SCREW	DIN 906 M22X1,5-ST
13	72343651	4	POPPET	
14	72343905	4	POPPET	
15	72340915	8	DISC	
16	72340913	8	VALVE SPRING	
17	72340914	8	VALVE SPRING	
18	72327092	16	TAPER PIECE HALF	
19	72327093	8	SPRING RETAINER	
20	72343647	8	SEAL	
22	72374627	8	STUD BOLT	DIN 939 M8X40-8.8
24	72343992	4	CYLINDER HEAD GASKET	
	72431774	1	REPAIR KIT	
30	72343906	4	CYLINDER HEAD COVER	
32	72343908	4	MOLDED SEAL	
33	72315659	4	HEXAGONAL HEAD BOLT	DIN 933 M8X35-8.8
34	72315087	4	SEALING WASHER	DIN 7603 A8X14-CU
36	72342973	4	LABEL	

FARMER 309 (309/00101-99999)  
8520

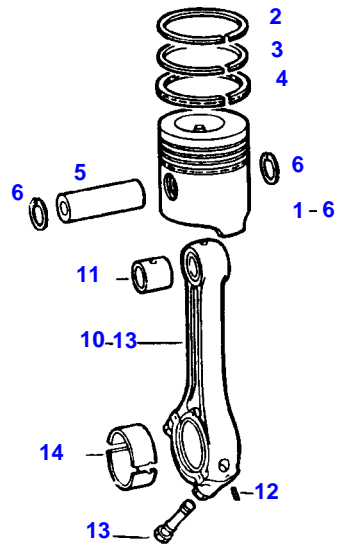


8520

Item	Part Number	Qty	Description Comments	Technical Specification
1	72342940	1	CRANKSHAFT ><2-5	
2	72341105	1	SPUR GEAR	
3	72313801	1	TENSIONING PIN	ISO8752-4X14-A-ST
4	72337059	4	PLUG	
5	72329220	1	RING GEAR	
6			SEE V-BELT	
9	72332454	1	HUB	
10	72374113	4	SOCKET HEAD BOLT	DIN 912 M16X50-10.9
11	72332461	1	FLYWHEEL ><12	
12	72330772	1	RING GEAR	
13	72315739	6	HEXAGONAL HEAD BOLT	DIN 933 M16X60 GWA-10.9
14	72375149	1	TENSIONING PIN	ISO8752-6X10-A-ST
15	72329545	1	PIN	

FARMER 309 (309/00101-99999)  
3119

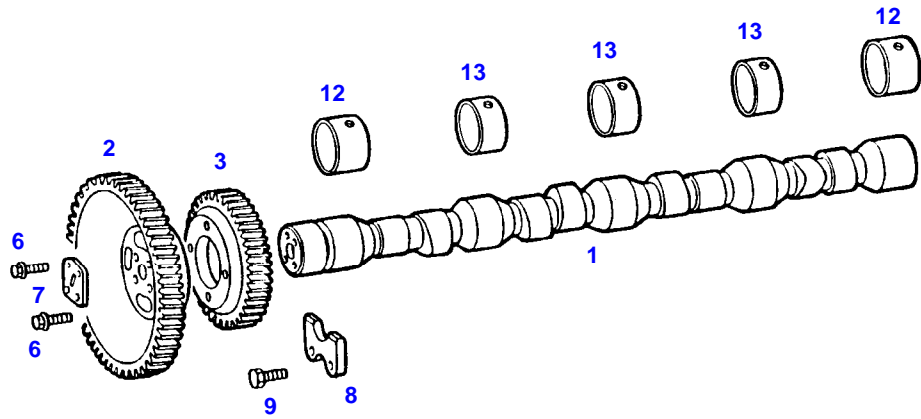
---



3119

Item	Part Number	Qty	Description Comments	Technical Specification
1	72333026	4	PISTON ><2-6	
2	72333027	4	PISTON RING KIT ><2-4	
3			NOT AVAILABLE IN SINGLE PARTS	
4			NOT AVAILABLE IN SINGLE PARTS	
5			NOT AVAILABLE IN SINGLE PARTS	
6	72332584	8	LOCKWASHER	
10	72343926	4	PISTON ROD ><11-13	
11	72341118	4	SMALL-END BUSH	
12	72313802	4	TENSIONING PIN	ISO8752-4X16-A-ST-ZNPHR10F-KOE
13	72327143	8	CONNECTING ROD BOLT	
14	72341119	4	CONNECTING ROD BEARING 63,00 MM	
	72341120	4	CONNECTING ROD BEARING 62,75 MM	
	72341121	4	CONNECTING ROD BEARING 62,50 MM	
	72341122	4	CONNECTING ROD BEARING 62,25 MM	
	72341123	4	CONNECTING ROD BEARING 62,00 MM	

FARMER 309 (309/00101-99999)  
4893

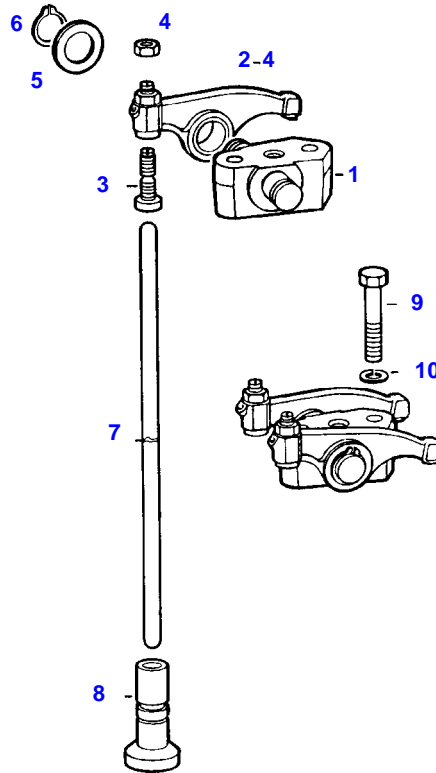


4893

Item	Part Number	Qty	Description Comments	Technical Specification
1	72416321	1	CAMSHAFT	
2	72343928	1	SPUR GEAR	
3	72343929	1	SPUR GEAR	
6	72375063	8	LOCK SCREW	FWN 64993 M8X22-12.9
7	72331325	1	PROFILED FLANGE	
8	72343930	1	SEGMENT	
9	72375061	2	LOCK SCREW	W151.12 M8X16-90
12	72332989	2	BUSH REPAIR STEP	
13	72332990	3	BUSH REPAIR STEP	

FARMER 309 (309/00101-99999)  
3121

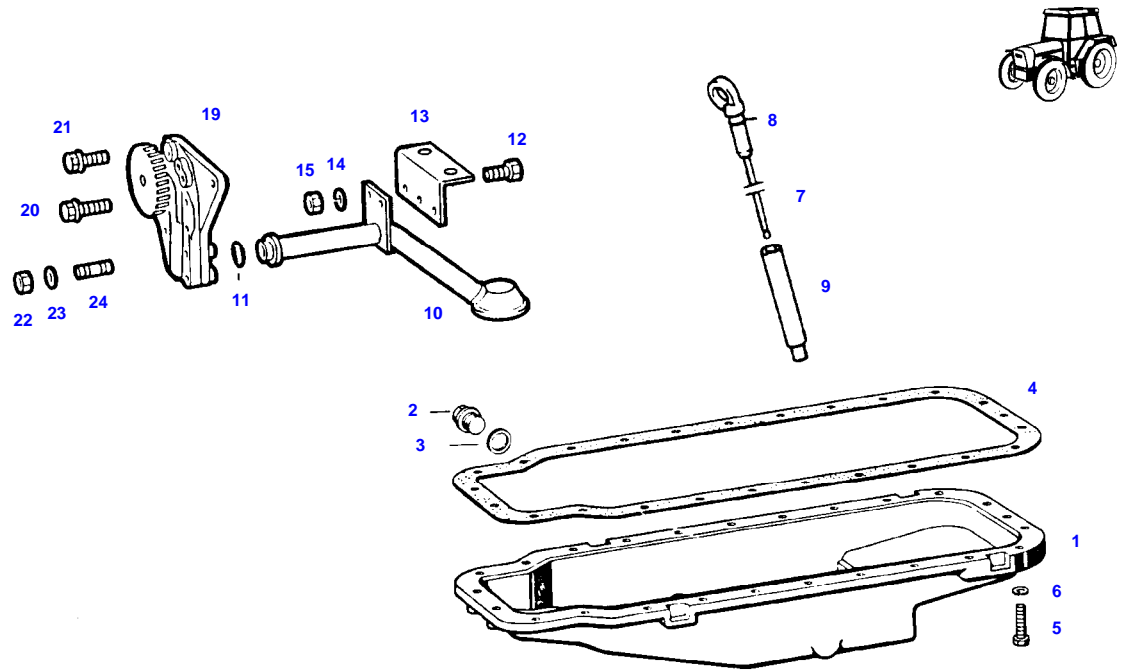
---



3121

Item	Part Number	Qty	Description Comments	Technical Specification
1	72343933	4	ROCKER ARM SUPPORT	
2	72343934	8	ROCKER ARM ><2-4	
3	72343935	8	ADJUSTING SCREW	
4	72343936	8	NUT	
5	72321237	16	DISC	
6	72375559	8	LOCK WASHER	DIN 471-16X1
7	72330785	8	BUMPER	
8	72343937	8	MUSHROOM TAPPET	
	72423816	8	MUSHROOM TAPPET OVERSIZE 19,5 MM	
9	72315691	8	HEXAGONAL HEAD BOLT	DIN 933 M10X40-8.8A3L
10	72315054	8	SPLIT WASHER	FWN 65208-10-A3L

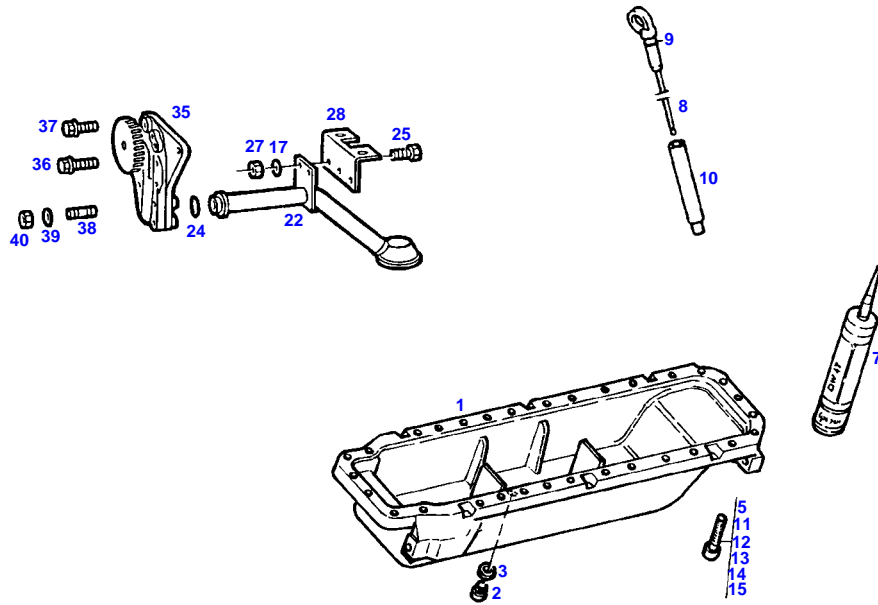
FARMER 309 (309/00101-99999)  
7700



7700

Item	Part Number	Qty	Description Comments	Technical Specification
			FRONTAXLE NOT SUSP. <-- 309/0101 --> 309/0300 <-- 309/1001 --> 309/1475	
1	72337689	1	OIL PAN ><2-3	
2	72373986	1	SCREW	
3	72376144	1	SEALING WASHER	A21X27X1-CU
4	72329727	1	SEAL	
5	72315474	2	SOCKET HEAD BOLT	
	72374024	5	SOCKET HEAD BOLT	DIN 912-M8X45-10.9
	72315479	18	SOCKET HEAD BOLT	DIN 912 M8X35-10.9
6	72315053	25	SPLIT WASHER	FWN 65208-8-A3L
7	72332601	1	DIPSTICK ><8	
8	72376384	1	O-RING	7,3X2,4
9	72329118	1	PIPE	
10	72339392	1	LUBE OIL LINE	
11	72376462	1	O-RING	20X4-FPM 70 FWN56402
12	72315642	2	HEXAGONAL HEAD BOLT	DIN 933 M8 X 16-8.8A3L
13	72330779	1	GUSSET PLATE	
14	72315053	2	SPLIT WASHER	FWN 65208-8-A3L
15	72372806	2	NUT	DIN 934 M8-10A3L
19	72332187	1	OIL GEAR PUMP	
20	72375067	1	LOCK SCREW	FWN 64993 M8X35-90
21	72375064	1	LOCK SCREW	FWN 64993 M8X22-90
22	72340921	1	MIDGRIP NUT	
23	72340920	1	DISC	
24	72374623	1	STUD BOLT	DIN 939-M8X25-8.8

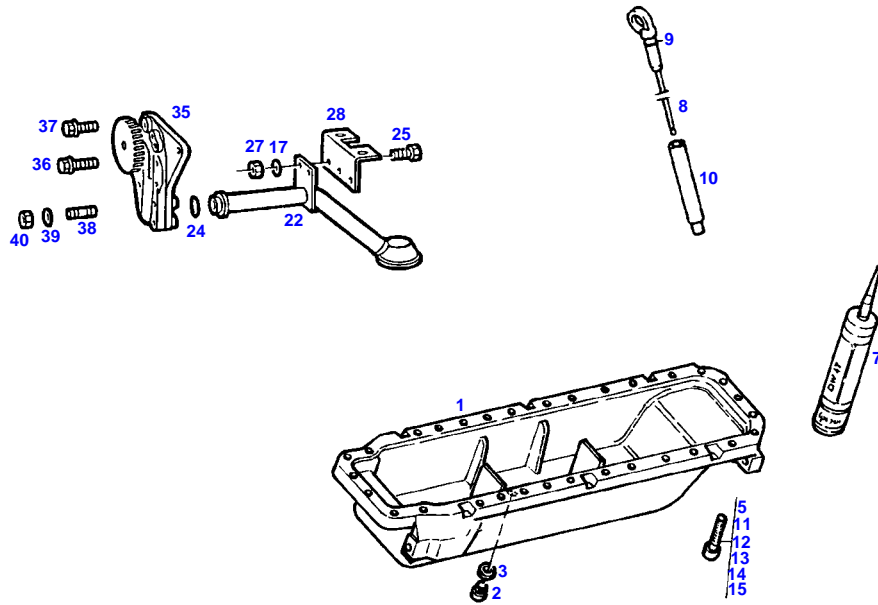
FARMER 309 (309/00101-99999)  
8771



8771

Item	Part Number	Qty	Description Comments	Technical Specification
			<b>SRING-SUSPENDED FRONT AXLE</b> <-- 309/0101 --> 309/0300 <-- 309/1001 --> 309/1475	
1	72344596	1	OIL PAN ><2,3	
2	72373963	1	HEX CAP SCREW	DIN 908-G1/2A-ST
3	72332580	1	SEALING WASHER	
5	72374041	3	SOCKET HEAD BOLT	DIN 912-M8X170-10.9
7	72311273	1	SEALING COMPOUND	TEROST-63S
8	72344732	1	DIPSTICK	
9	72376384	1	O-RING	7,3X2,4
10	72329118	1	PIPE	
11	72374024	7	SOCKET HEAD BOLT	DIN 912-M8X45-10.9
12	72315484	18	SOCKET HEAD BOLT	DIN 912 M8X65-10.9A3L
13	72374032	2	SOCKET HEAD BOLT	DIN 912 M8X100-10.9
14	72374038	3	SOCKET HEAD BOLT	DIN 912 M8X140-10.9
15	72374073	4	SOCKET HEAD BOLT	DIN 912 M12X45-12.9
17	72315053	2	SPLIT WASHER	FWN 65208-8-A3L
22	72339392	1	LUBE OIL LINE	
24	72376462	1	O-RING	20X4-FPM 70 FWN56402
25	72315642	2	HEXAGONAL HEAD BOLT	DIN 933 M8 X 16-8.8A3L
27	72372805	2	NUT	DIN 934 M8-10 C2A
28	72330779	1	GUSSET PLATE	
35	72332187	1	OIL GEAR PUMP	
36	72375067	1	LOCK SCREW	FWN 64993 M8X35-90
37	72375063	1	LOCK SCREW	FWN 64993 M8X22-12.9
38	72374623	1	STUD BOLT	DIN 939-M8X25-8.8
39	72340920	1	DISC	
40	72340921	1	MIDGRIP NUT	

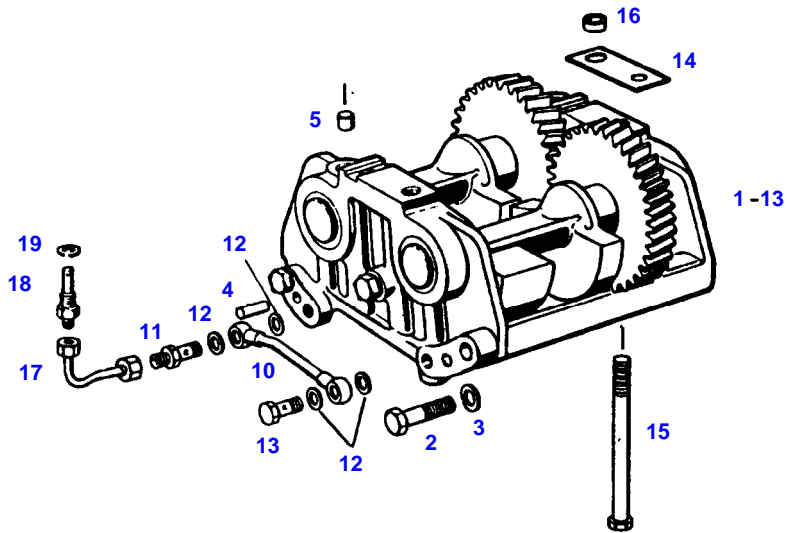
FARMER 309 (309/00101-99999)  
8771



8771

Item	Part Number	Qty	Description Comments	Technical Specification
			<-- 309/0301 --> 309/0400 <-- 309/1476	
1	72344596	1	OIL PAN ><2,3	
2	72373963	1	HEX CAP SCREW	DIN 908-G1/2A-ST
3	72332580	1	SEALING WASHER	
5	72374041	3	SOCKET HEAD BOLT	DIN 912-M8X170-10.9
7	72311273	1	SEALING COMPOUND	TEROST-63S
8	72344732	1	DIPSTICK	
9	72376384	1	O-RING	7,3X2,4
10	72329118	1	PIPE	
11	72374024	7	SOCKET HEAD BOLT	DIN 912-M8X45-10.9
12	72315484	18	SOCKET HEAD BOLT	DIN 912 M8X65-10.9A3L
13	72374032	2	SOCKET HEAD BOLT	DIN 912 M8X100-10.9
14	72374038	3	SOCKET HEAD BOLT	DIN 912 M8X140-10.9
15	72374073	4	SOCKET HEAD BOLT	DIN 912 M12X45-12.9
17	72315053	2	SPLIT WASHER	FWN 65208-8-A3L
22	72339392	1	LUBE OIL LINE	
24	72376462	1	O-RING	20X4-FPM 70 FWN56402
25	72315642	2	HEXAGONAL HEAD BOLT	DIN 933 M8 X 16-8.8A3L
27	72372805	2	NUT	DIN 934 M8-10 C2A
28	72330779	1	GUSSET PLATE	
35	72332187	1	OIL GEAR PUMP	
36	72375067	1	LOCK SCREW	FWN 64993 M8X35-90
37	72375063	1	LOCK SCREW	FWN 64993 M8X22-12.9
38	72374623	1	STUD BOLT	DIN 939-M8X25-8.8
39	72340920	1	DISC	
40	72340921	1	MIDGRIP NUT	

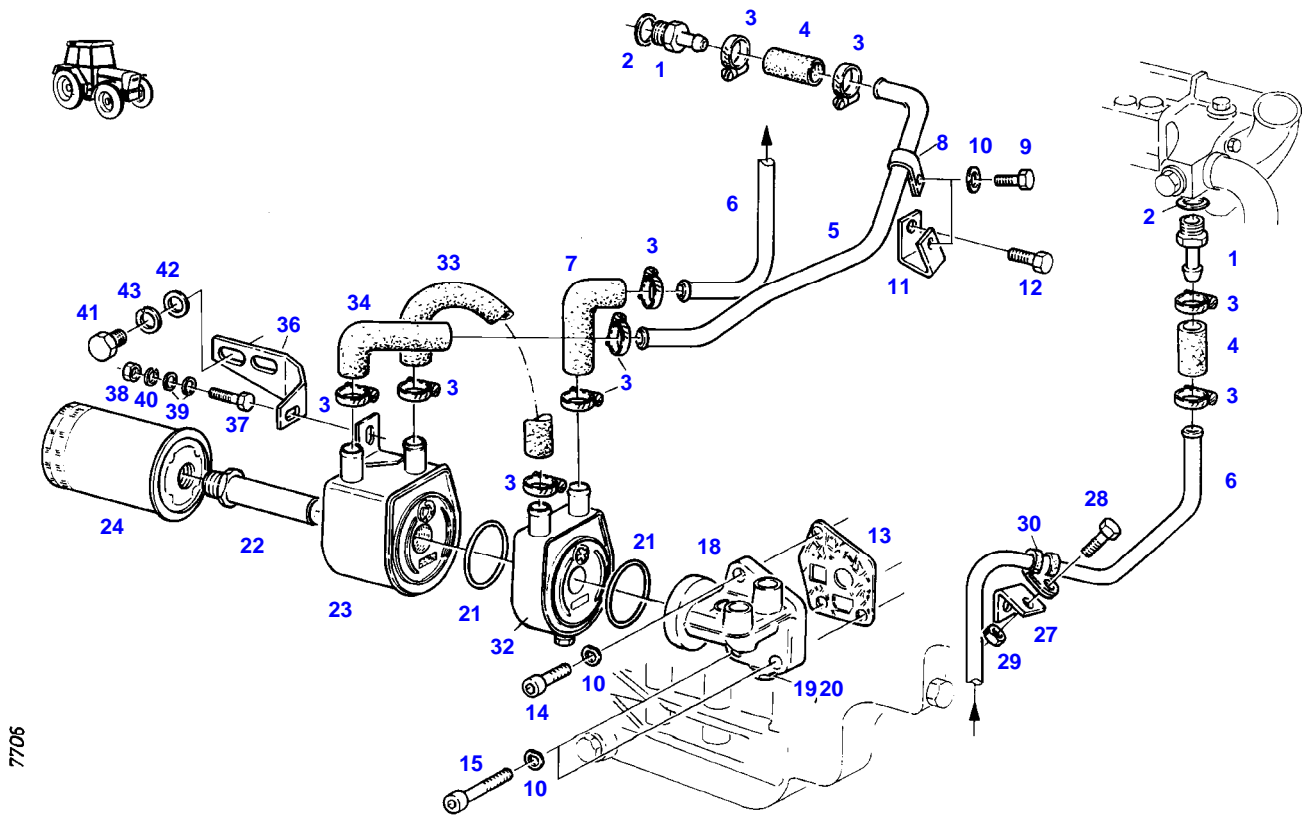
FARMER 309 (309/00101-99999)  
5260



5260

Item	Part Number	Qty	Description Comments	Technical Specification
1	72318354	1	COUNTERBALANCING ><2-13	
2	72374177	3	HEXAGONAL HEAD BOLT	DIN 931 M10X45-8.8
3	72315054	3	SPLIT WASHER	FWN 65208-10-A3L
4	72372613	2	TAPER PIN	DIN 258-8X55-ST50K
5	72325101	4	PLUG	
10	72329212	1	LUBRICANT PRESSURE LINE	
11	72329213	1	SCREW PIECE	
12	72315088	4	SEALING WASHER	DIN 7603 A10X13,5-CU
13	72315806	1	BANJO BOLT	DIN 7643-6-3-A3L
14	72329210	X	SHIM	
15	72374198	4	HEXAGONAL HEAD BOLT	DIN 931 M10X105-8.8
16	72332521	2	LOCATING SLEEVE	
17	72329225	1	OIL PRESSURE LINE	
18	72329224	1	SCREW PIECE	
19	72315098	1	SEALING WASHER	DIN 7603 A16X22-CU

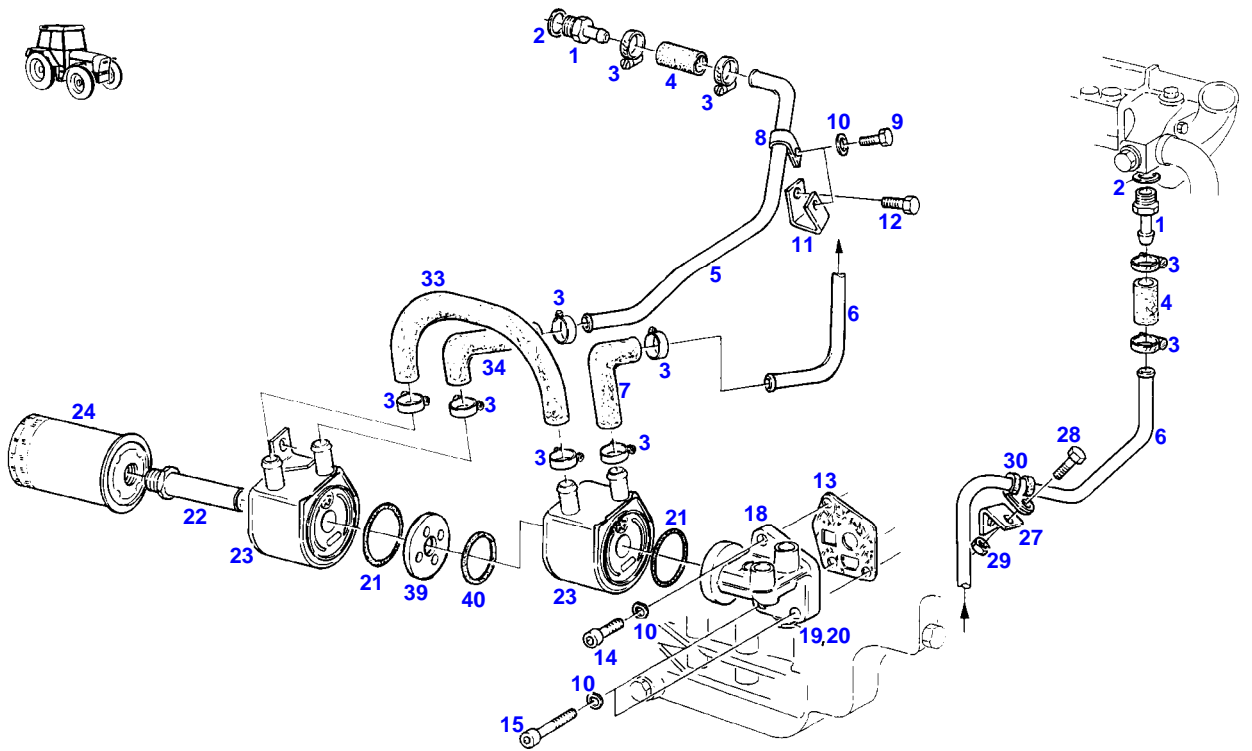
FARMER 309 (309/00101-99999)  
7706



7706

Item	Part Number	Qty	Description Comments	Technical Specification
			<-- 309/0101 --> 309/0400 <-- 309/1001 --> 309/3150	
1	72396595	2	HOSE BARB	
2	72315101	2	SEALING WASHER	DIN 7603 A22X27-CU
3	72311167	10	HOSE CLIP	
4	72396335	2	HOSE PIECE	
5	72397336	1	COOLANT LINE	
6	72397337	1	COOLANT LINE	
7	72435869	1	RUBBER ARCH	
8	72386726	1	PIPE CLAMP	
9	72315675	1	HEXAGONAL HEAD BOLT	DIN 933 M10X16-8.8A3L
10	72317122	4	SPRING WASHER	DIN 137 B10-MECH.VZK
11	72397289	1	RETAINER	
12	72315704	1	HEXAGONAL HEAD BOLT	DIN 933 M12X16-8.8A3L
13	72327148	1	MOLDED SEAL	
14	72315494	1	SOCKET HEAD BOLT	DIN 912 M10X30-8.8
15	72315498	2	SOCKET HEAD BOLT	DIN 912 M10X40-8.8 OB1-SW
18	72325601	1	FILTER HEAD ><19+20 <-- G510.201.900.100	
19	72325606	1	VALVE	
20	72376031	1	SEALING WASHER	DIN 7603 A20X24-CU
21	72396334	1	O-RING	
22	72410560	1	SCREW PIECE	
23	72348618	1	OIL COOLER SET (2 PIECE) <>	
	72327148	1	MOLDED SEAL	
24	72334900	1	OIL FILTER	
27	72397338	1	ANGLE	
28	72315626	1	HEXAGONAL HEAD BOLT	DIN 933-M6 X 16-8.8-A3L
29	72313266	1	NUT	DIN 934 M6-8A3L
30	72311247	1	PIPE CLAMP	
32			FOR REPLACEMENT USE POS. 23	
33	72395937	1	HOSE ARCH	
34	72395939	1	HOSE ARCH	
36	72395940	1	RETAINER	
37	72315642	1	HEXAGONAL HEAD BOLT	DIN 933 M8 X 16-8.8A3L
38	72313268	1	NUT	DIN 934 M8-8A3L
39	72311788	2	DISC	DIN 125-8,4-ST.A3L
40	72317121	1	SPRING WASHER	DIN 137 B8-MECH.VZK
41	72315721	1	HEXAGONAL HEAD BOLT	DIN 933 M14X25-8.8A3L
42	72311805	1	DISC	DIN 433-15-ST.A3L
43	72375406	1	SPRING WASHER	DIN 137 B14-MECH.VZK GE.CR

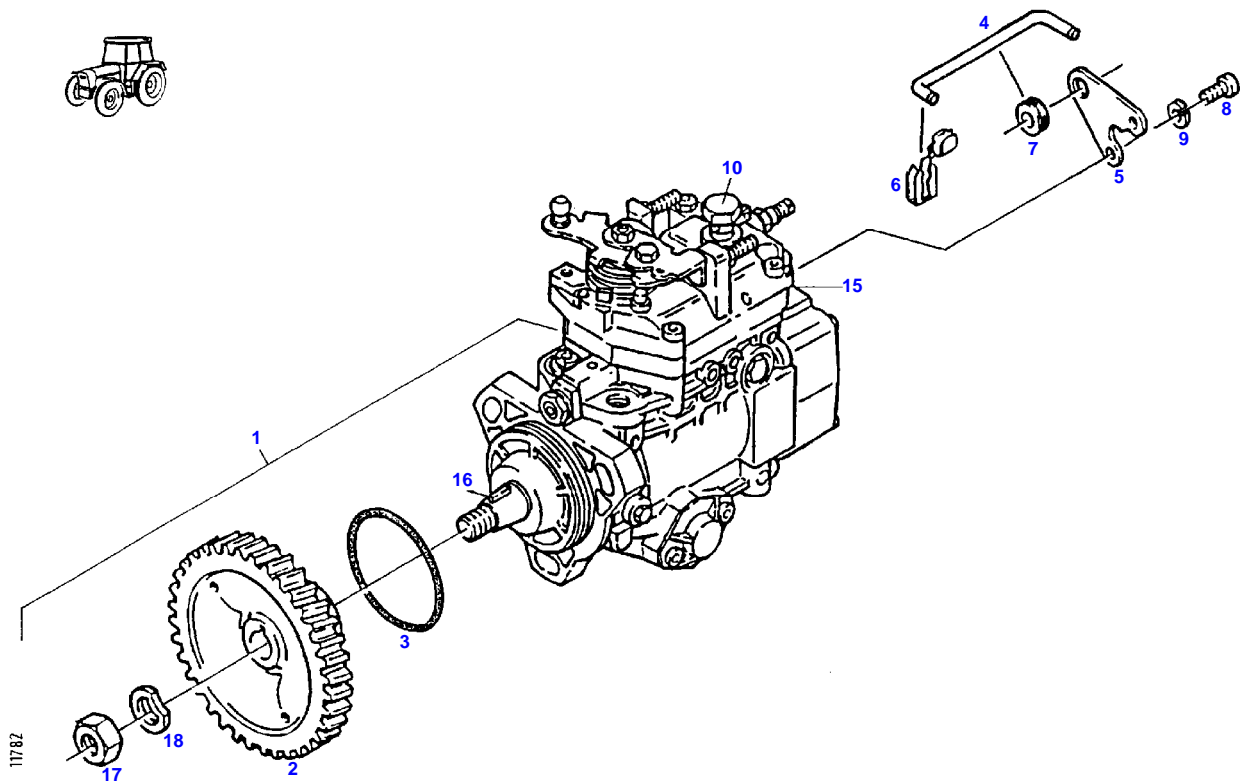
FARMER 309 (309/00101-99999)  
10940



10940

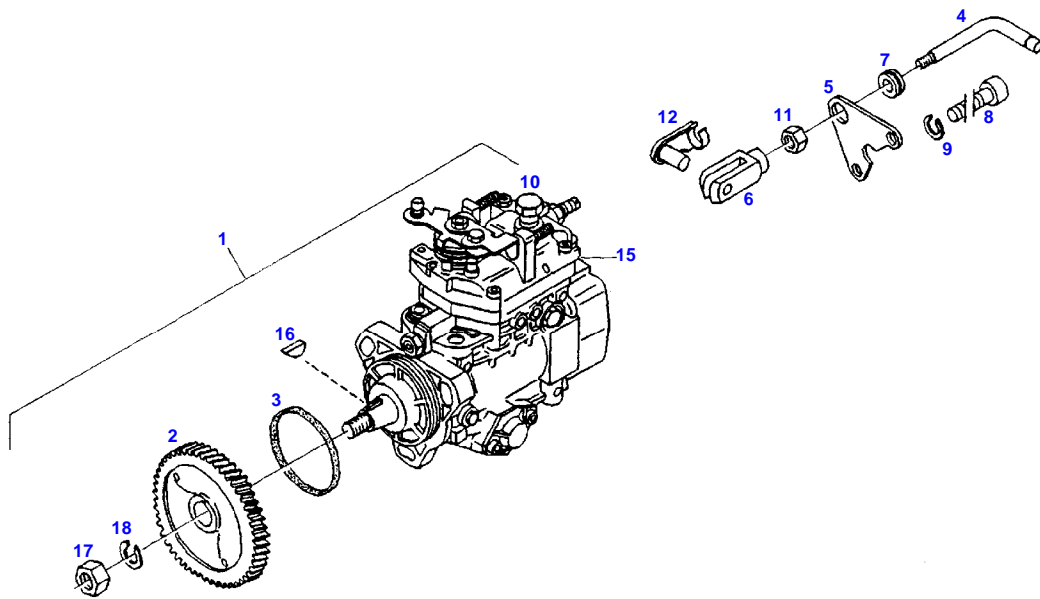
Item	Part Number	Qty	Description Comments	Technical Specification
			<-- 309/3151	
1	72396595	2	HOSE BARB	
2	72315101	2	SEALING WASHER	DIN 7603 A22X27-CU
3	72311167	10	HOSE CLIP	
4	72396335	2	HOSE PIECE	
5	72397336	1	COOLANT LINE	
6	72397337	1	COOLANT LINE	
7	72435869	1	RUBBER ARCH	
8	72386726	1	PIPE CLAMP	
9	72315675	1	HEXAGONAL HEAD BOLT	DIN 933 M10X16-8.8A3L
10	72317122	4	SPRING WASHER	DIN 137 B10-MECH.VZK
11	72397289	1	RETAINER	
12	72315704	1	HEXAGONAL HEAD BOLT	DIN 933 M12X16-8.8A3L
13	72327148	1	MOLDED SEAL	
14	72315494	1	SOCKET HEAD BOLT	DIN 912 M10X30-8.8
15	72315498	2	SOCKET HEAD BOLT	DIN 912 M10X40-8.8 OB1-SW
18	72350565	1	FILTER HEAD ><18-20	
19	72325606	1	VALVE	
20	72376031	1	SEALING WASHER	DIN 7603 A20X24-CU
21	72410911	2	SEALING RING	
22	72410560	1	SCREW PIECE	
23	72350652	2	OIL COOLER	
	72315797	2	PLUG SCREW	DIN 7604 AM10X1-ST A3L
	72315088	2	SEALING WASHER	DIN 7603 A10X13,5-CU
24	72334900	1	OIL FILTER	
27	72397338	1	ANGLE	
28	72315626	1	HEXAGONAL HEAD BOLT	DIN 933-M6 X 16-8.8-A3L
29	72313266	1	NUT	DIN 934 M6-8A3L
30	72311247	1	PIPE CLAMP	
33	72395902	1	HOSE ARCH	
34	72395942	1	HOSE ARCH	
39	72410908	1	INTERMEDIATE PLATE	
40	72410912	1	SEAL	
	72395940	1	RETAINER NOT ILLUSTRATED	
	72315642	1	HEXAGONAL HEAD BOLT NOT ILLUSTRATED	DIN 933 M8 X 16-8.8A3L

FARMER 309 (309/00101-99999)  
11782



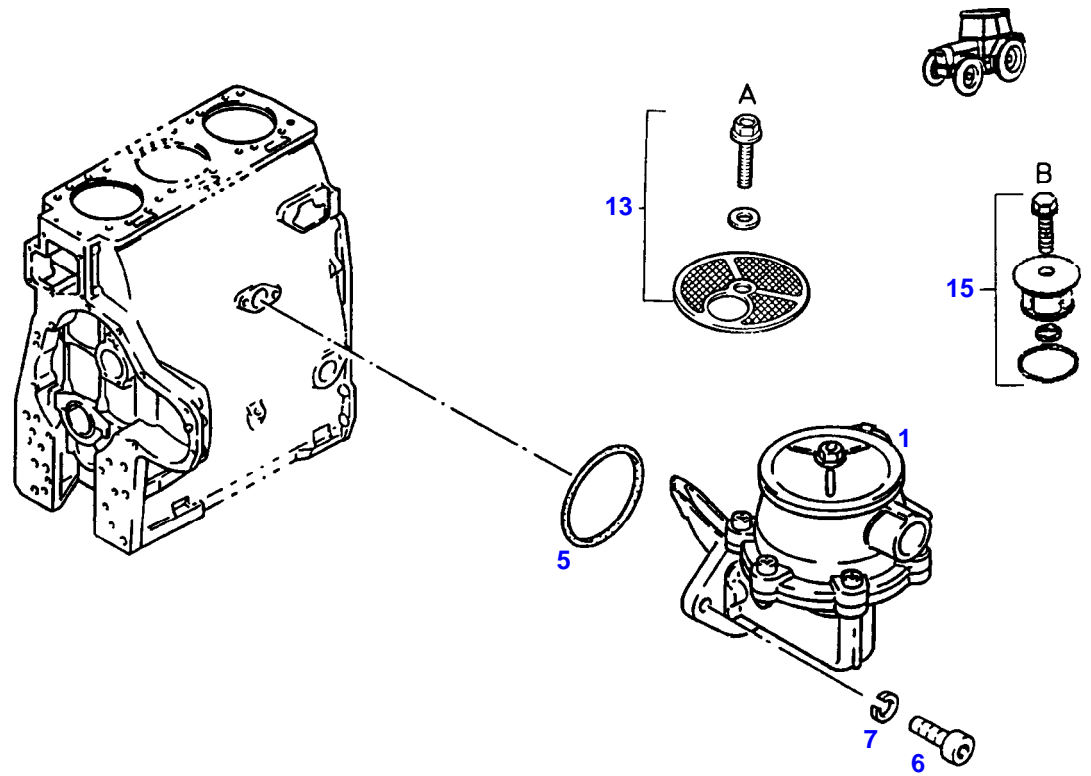
Item	Part Number	Qty	Description Comments	Technical Specification
			<-- 309/0101 --> 309/0400 <-- 309/1001 --> 309/3212	
1	72342924	1	INJECTION PUMP >>10,15-18	
2	72342991	1	SPUR GEAR	
3	72342992	1	O-RING	
4	72410862	1	ROD <>	
	72311306	1	CLEVIS	DIN 71752 G6X12-A3L
	72310445	1	BOLT	FWN 64072 6X12 A3L
	72313266	1	NUT	DIN 934 M6-8A3L
	72410863	1	RETAINING SHEET METAL	
5	72410863	1	RETAINING SHEET METAL <>	
	72313266	1	NUT	DIN 934 M6-8A3L
	72310445	1	BOLT	FWN 64072 6X12 A3L
	72410862	1	ROD	
	72311306	1	CLEVIS	DIN 71752 G6X12-A3L
6	72342995	1	LOCK SPRING	
7	72316354	1	CABLE BUSHING	9X12X16
8	72374005	1	SOCKET HEAD BOLT	DIN 912 M6X16-10.9
9	72315052	1	SPLIT WASHER	FWN 65208-6-A3L
10	72315350	1	BANJO BOLT	
15	72316840	1	SOLENOID SWITCH	
16	72416161	1	FITTING KEY	
17	72313281	1	NUT	DIN 934 M14X1,5-8A3L
18	72315056	1	SPLIT WASHER	FWN 65208-14-A3L

FARMER 309 (309/00101-99999)  
12183



12183

Item	Part Number	Qty	Description Comments	Technical Specification
			<-- 309/3213	
1	72342924	1	INJECTION PUMP ><10,15-18	
2	72342991	1	SPUR GEAR	
3	72342992	1	O-RING	
4	72410862	1	ROD	
5	72410863	1	RETAINING SHEET METAL	
6	72311306	1	CLEVIS	DIN 71752 G6X12-A3L
7	72316354	1	CABLE BUSHING	9X12X16
8	72374005	1	SOCKET HEAD BOLT	DIN 912 M6X16-10.9
9	72315052	1	SPLIT WASHER	FWN 65208-6-A3L
10	72315350	1	BANJO BOLT	
11	72372804	1	NUT	DIN 934 M6-10
12	72310445	1	BOLT	FWN 64072 6X12 A3L
15	72316840	1	SOLENOID SWITCH	
16	72416161	1	FITTING KEY	
17	72313281	1	NUT	DIN 934 M14X1,5-8A3L
18	72315056	1	SPLIT WASHER	FWN 65208-14-A3L



10871



**Suggest:**

**For more complete manuals. Please go to the home page.**

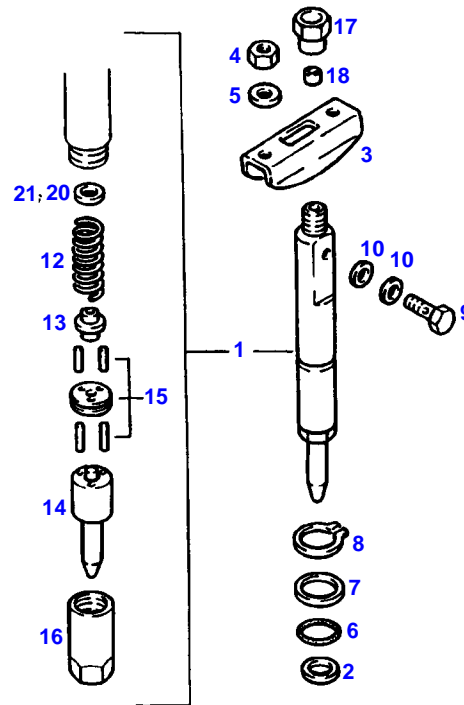
**<https://www.ebooklibonline.com>**

**If the above button click is invalid. Please download this document first, and then click the above link to download the complete manual.**

**Thank you so much for reading**

Item	Part Number	Qty	Description Comments	Technical Specification
1	72342988	1	FUEL PUMP	
5	72342989	1	SEAL	
6	72374020	2	SOCKET HEAD BOLT	DIN 912 M8X20-10.9
7	72315053	2	SPLIT WASHER	FWN 65208-8-A3L
13	72324495	1	VERSION "A" REPAIR KIT IMSA	
15	72333472	1	VERSION "B" REPAIR KIT IMSA	

FARMER 309 (309/00101-99999)  
8334



8334

**<https://www.ebooklibonline.com>**

Hello dear friend!

Thank you very much for reading.

Enter the link into your browser.

The full manual is available for immediate download.

**<https://www.ebooklibonline.com>**