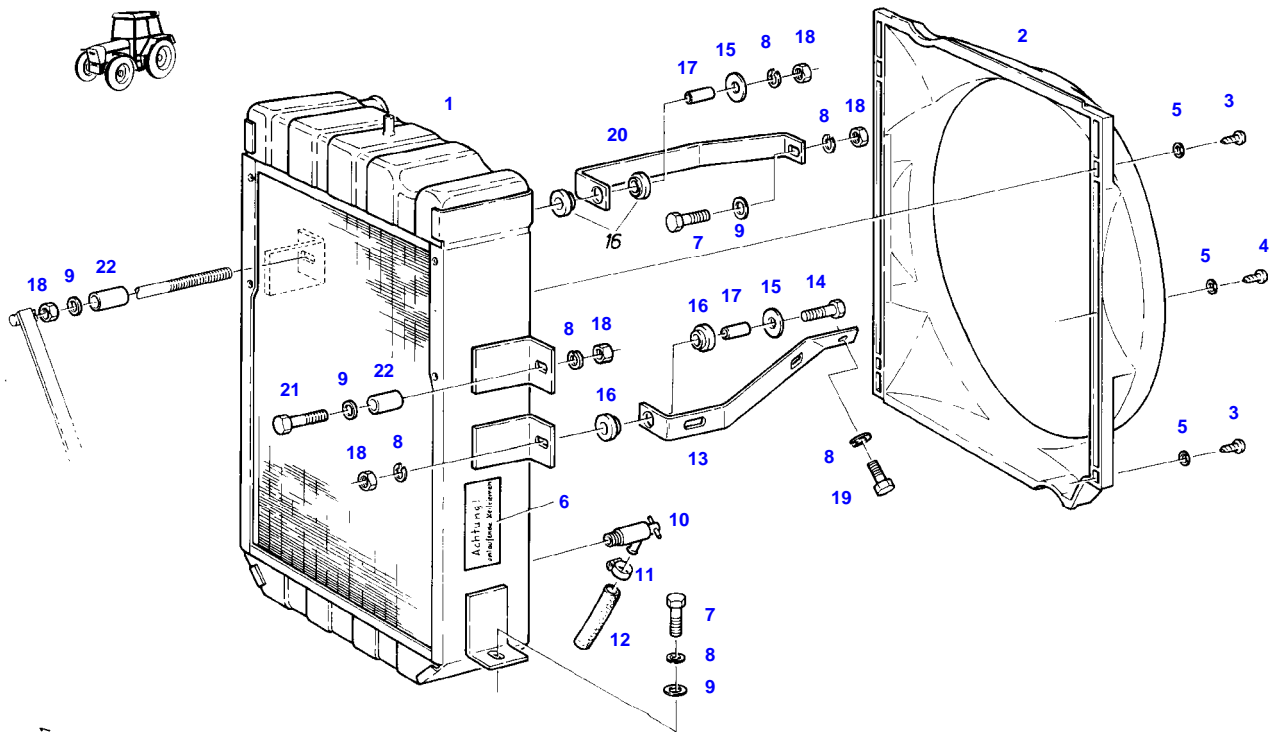


**TABLE OF CONTENT**

<b>Page Number</b>	<b>Page Title</b>	<b>Page Reference</b>
01-000-TOC	ENGINE, FUEL AND EXHAUST SYSTEM	01-000-TOC
02-000-TOC	AXLES	02-000-TOC
03-000-TOC	STEERING SYSTEM	03-000-TOC
04-000-TOC	DRIVE TRAIN SYSTEM	04-000-TOC
05-000-TOC	COMPRESSED AIR SYSTEM	05-000-TOC
06-000-TOC	HYDRAULIC SYSTEM	06-000-TOC
07-000-TOC	ELECTRICAL SYSTEM	07-000-TOC
08-000-TOC	CAB	08-000-TOC
09-000-TOC	AIR CONDITIONING AND HEATING SYSTEM	09-000-TOC
10-000-TOC	CHASSIS	10-000-TOC
11-000-TOC	WHEELS	11-000-TOC
12-000-TOC	IMPLEMENT LIFT SYSTEM FRONT	12-000-TOC
13-000-TOC	IMPLEMENT LIFT SYSTEM REAR	13-000-TOC
14-000-TOC	FRONT/REAR LOADERS	14-000-TOC
15-000-TOC	ATTACHMENTS	15-000-TOC
16-000-TOC	ACCESSORIES	16-000-TOC

FARMER 309 (186/14601-30000)  
6331



6331

Item	Part Number	Qty	Description Comments	Technical Specification
			--> 186/20000	
1	72348232	1	RADIATOR AIR BRAKE SUPPLY EQUIPEMENT RANGE OF TEMPERATURE 1 <-- G186.205.050.010 1X AIR BRAKE SUPPLY EQUIPEMENT <>	
	72315663	1	HEXAGONAL HEAD BOLT	DIN 933 M8X40-8.8A3L
	72395450	1	BRACKET	
	72400314	1	BUSH	
	72348553	1	RADIATOR TEMP.RANGE 2 / 1+2 WITH AIR BRAKE TEMP.RANGE 1 WITH AIR CONDITION TEMP.RANGE 1 WITH AIR CONDITION KLIMAANLAGE 1 M.KLIMAANLAGE	
2	72393668	1	FAN COVER	
3	72315818	4	SCREW	DIN7976-ST4,2X25-C-A3L
4	72315787	2	SCREW	DIN 7981 B4,2X16-A3L
5	72311817	6	DISC	DIN9021-4,3-140HV-A3L
6	72386100	2	WARNING SIGN D	
	72388085	2	WARNING SIGN GB	
	72388086	2	WARNING SIGN F	
	72388087	2	WARNING SIGN I	
	72388088	2	WARNING SIGN E	
7	72315650	3	HEXAGONAL HEAD BOLT	DIN 933 M8 X 20-8.8A3L
8	72315053	7	SPLIT WASHER	FWN 65208-8-A3L
9	72311788	5	DISC	DIN 125-8,4-ST.A3L
10	72378063	1	RELIEF VALVE	DIN71401-CM14X1,5KEG
11	72438345	1	HOSE CLIP	
12	72389310	1	HOSE	
13	72395409	1	BRACE	
14	72315660	1	HEXAGONAL HEAD BOLT	DIN 933 M8X35-8.8A3L
15	72311888	2	DISC	
16	72312479	4	UNIVERSAL SPOUT	
17	72310718	2	BUSH	
18	72313268	5	NUT	DIN 934 M8-8A3L
19	72315653	1	HEXAGONAL HEAD BOLT	DIN 933 M8 X 25-8.8A3L
20	72393671	1	BRACE	
21	72315650	1	HEXAGONAL HEAD BOLT AIR BRAKE SUPPLY EQUIPEMENT RANGE OF TEMPERATURE 1 AIR BRAKE SUPPLY EQUIPEMENT	DIN 933 M8 X 20-8.8A3L
	72315663	1	HEXAGONAL HEAD BOLT TEMP.RANGE 2 / 1+2 WITH AIR BRAKE TEMP.RANGE 1 WITH AIR CONDITION TEMP.RANGE 1 WITH AIR CONDITION KLIMAANLAGE 1 M.KLIMAANLAGE	DIN 933 M8X40-8.8A3L
22	72400314	2	BUSH TEMP.RANGE 2 / 1+2 WITH AIR BRAKE TEMP.RANGE 1 WITH AIR CONDITION TEMP.RANGE 1 WITH AIR CONDITION KLIMAANLAGE 1 M.KLIMAANLAGE	

**<https://www.ebooklibonline.com>**

Hello dear friend!

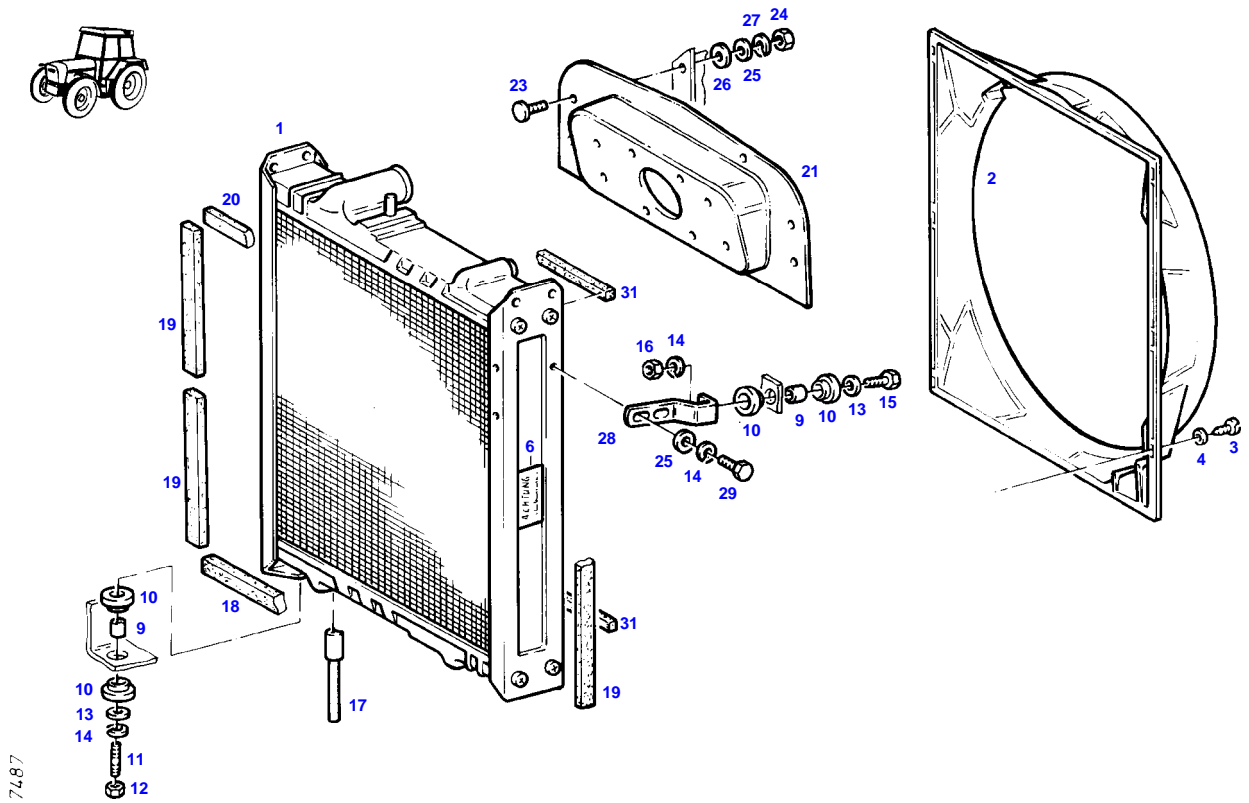
Thank you very much for reading.

Enter the link into your browser.

The full manual is available for immediate download.

**<https://www.ebooklibonline.com>**

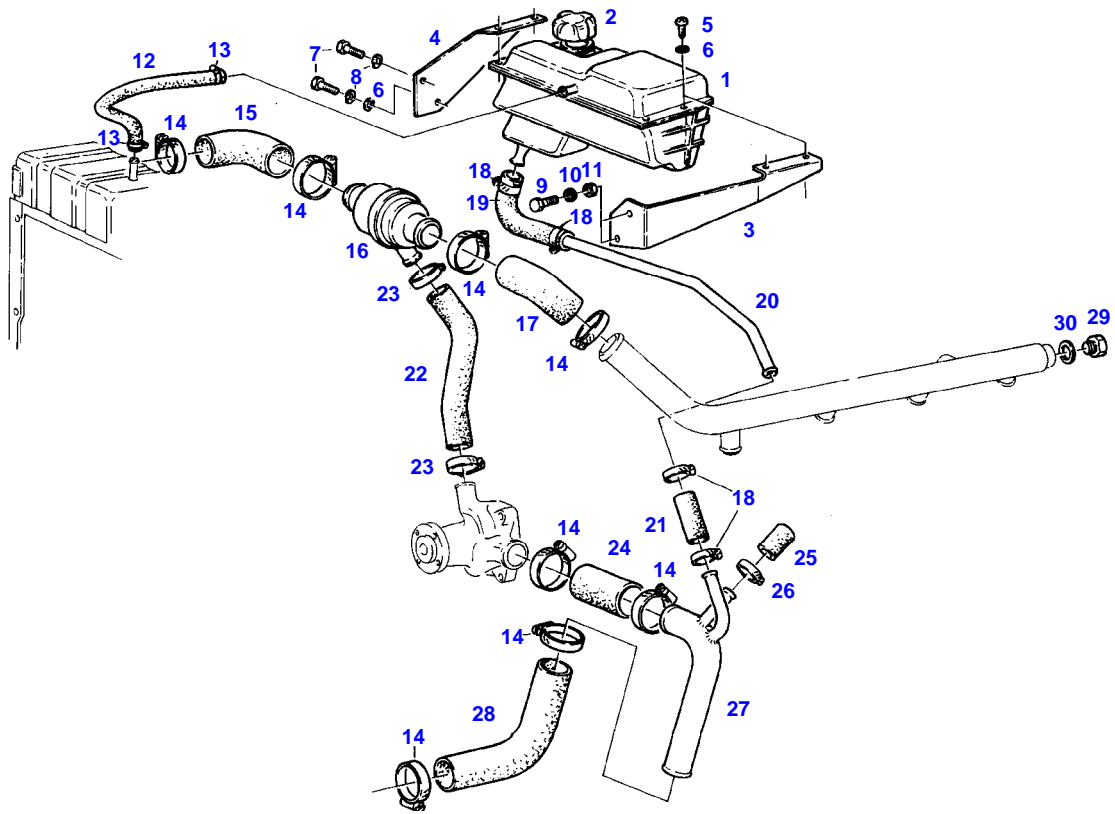
FARMER 309 (186/14601-30000)  
7487



7487

Item	Part Number	Qty	Description Comments	Technical Specification
			<-- 186/20001	
1	72348555	1	RADIATOR	
2	72395456	1	FAN COVER	
3	72315818	6	SCREW	DIN7976-ST4,2X25-C-A3L
4	72311817	6	DISC	DIN9021-4,3-140HV-A3L
6	72379109	1	MARKING PLATE	FWN66556-35X68-SCHUTZVORR.N.OE
9	72310718	4	BUSH	
10	72312479	8	UNIVERSAL SPOUT	
11	72313772	2	STUD BOLT	DIN 939 M8X30-8.8
12	72313320	2	NUT	DIN6925-M8-8-A3L
13	72311824	4	DISC	DIN9021-8,4-140HV-A3L
14	72315053	4	SPLIT WASHER	FWN 65208-8-A3L
15	72315660	2	HEXAGONAL HEAD BOLT	DIN 933 M8X35-8.8A3L
16	72313268	2	NUT	DIN 934 M8-8A3L
17	72397310	1	DRAINAGE PIPING	
18	72310182	1	STRAP	
19	72397315	4	STRAP	
20	72395459	1	STRAP	
21	72397306	1	BARRIER WALL	
23	72373806	5	TRUSS HEAD SCREW	DIN 603 M6X16-A3L
24	72313266	5	NUT	DIN 934 M6-8A3L
25	72311787	7	DISC	DIN 125-6,4-ST.A3L
26	72311788	5	DISC	DIN 125-8,4-ST.A3L
27	72315052	5	SPLIT WASHER	FWN 65208-6-A3L
28	72397309	2	HOLDER	
29	72315642	4	HEXAGONAL HEAD BOLT	DIN 933 M8 X 16-8.8A3L
31	72450560	1	SEALING STRIP 2X 470MM CUT TO LENGTH	

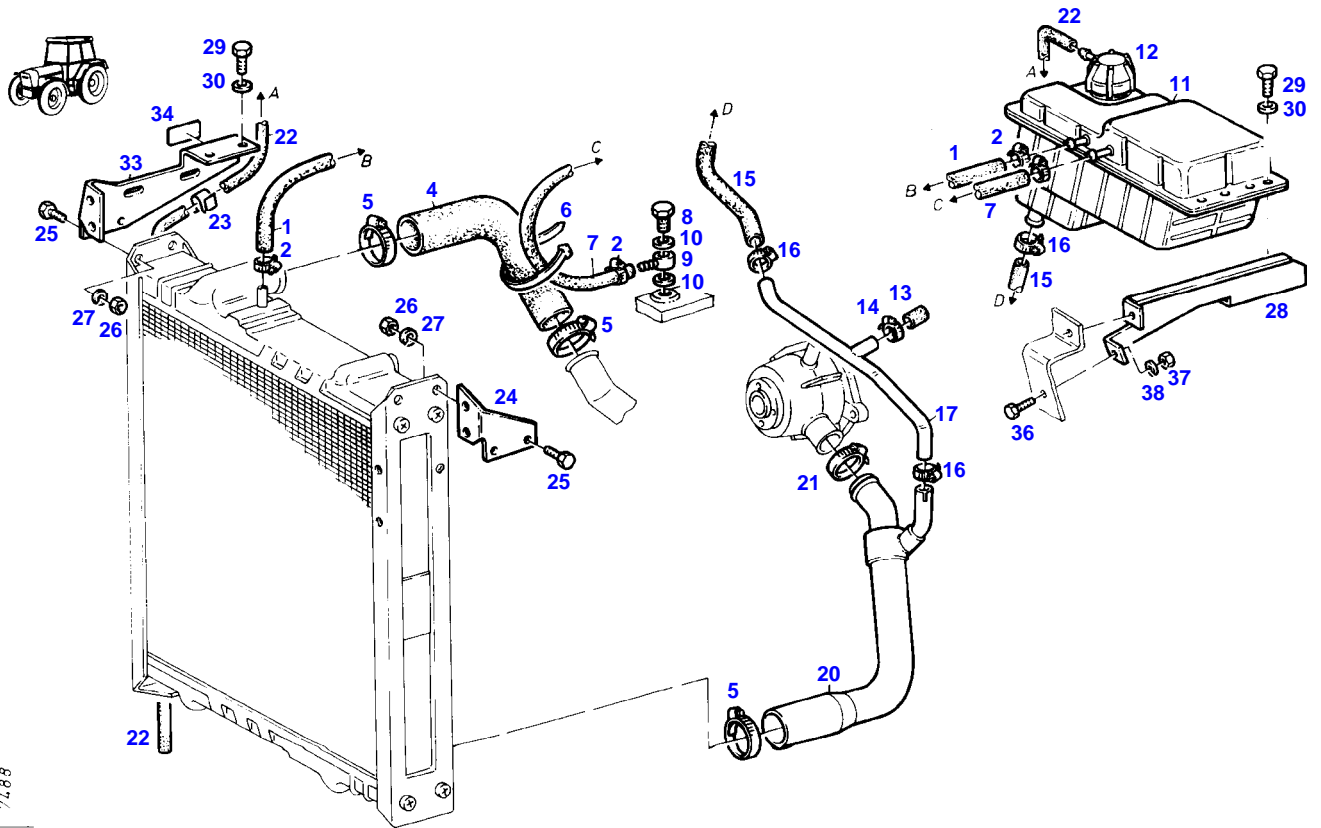
FARMER 309 (186/14601-30000)  
6336



6336

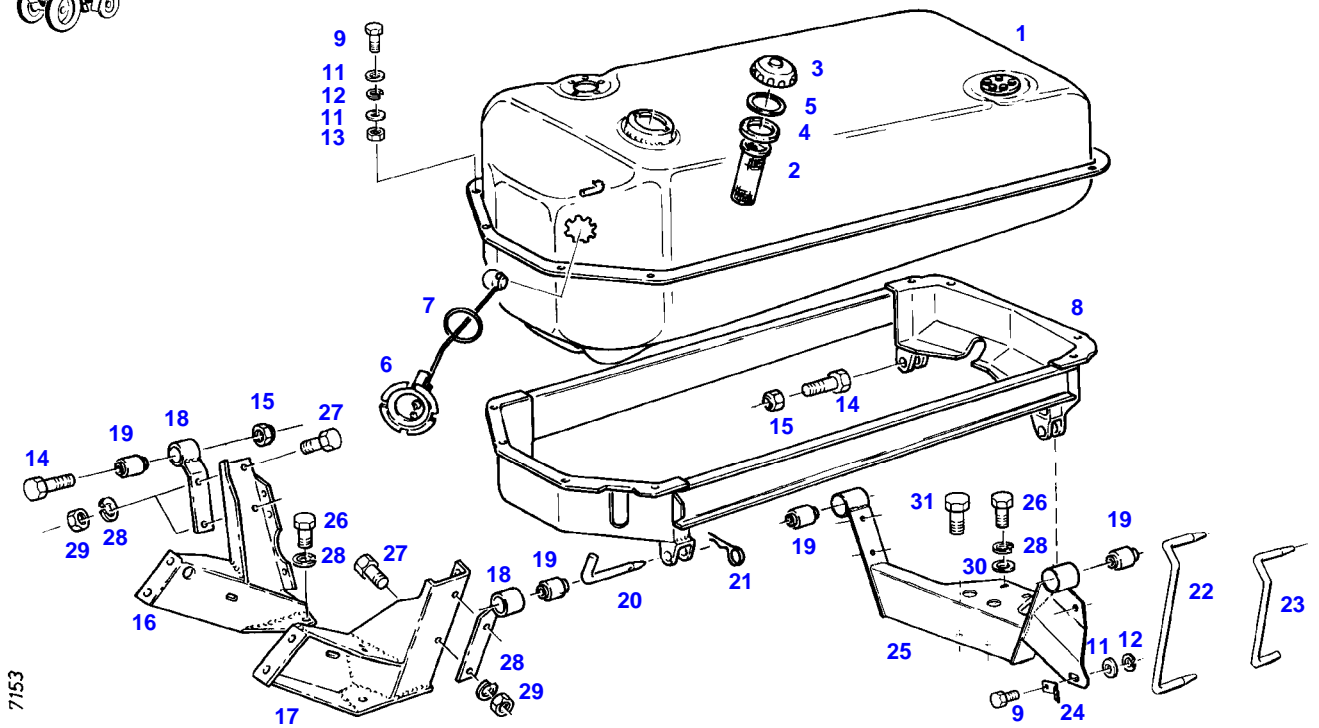
Item	Part Number	Qty	Description Comments	Technical Specification
			--> 186/20000	
1	72316897	1	EXPANSION TANK <>	
	72409370	1	CAP	
	72438345	1	HOSE CLIP	
2	72348672	1	COLLER LOCKING	
3	72392987	1	BRACKET AIR BRAKE SUPPLY EQUIPEMENT RANGE OF TEMPERATURE 1 AIR BRAKE SUPPLY EQUIPEMENT	
	72395450	1	BRACKET TEMP.RANGE 2 / 1+2 WITH AIR BRAKE TEMP.RANGE 1 WITH AIR CONDITION TEMP.RANGE 1 WITH AIR CONDITION KLIMAANLAGE 1 M.KLIMAANLAGE	
4	72392988	1	BRACKET	
5	72315821	4	SCREW	DIN7976-ST6,3X19-C-A3L
6	72311822	5	DISC	DIN9021-6,4-140HV-A3L
7	72315629	2	HEXAGONAL HEAD BOLT	DIN 933 M6 X 12-8.8A3L
8	72315052	2	SPLIT WASHER	FWN 65208-6-A3L
9	72315642	2	HEXAGONAL HEAD BOLT	DIN 933 M8 X 16-8.8A3L
10	72315053	2	SPLIT WASHER	FWN 65208-8-A3L
11	72313268	2	NUT	DIN 934 M8-8A3L
12	72622024	1	PRESSURE HOSE 1X 185MM CUT TO LENGTH	L=0,50M 8X3,5-FWN65911
13	72438345	2	HOSE CLIP	
14	72311162	8	HOSE CLIP	
15	72393666	1	RUBBER ARCH	
16	72380193	1	THERMOSTAT	75GR+-2GR
17	72392140	1	RUBBER ARCH	
18	72311166	4	HOSE CLIP	
19	72435869	1	RUBBER ARCH	
20	72392830	1	PIPE	
21	72450412	1	HOSE 1X 50MM CUT TO LENGTH	L=1000 18X3,5 R DIN 73411
22	72436027	1	HOSE 1X 120MM CUT TO LENGTH	L=320 DIN73411-25X3,5 R
23	72311167	2	HOSE CLIP	
24	72393672	1	REDUCER	
25	72404925	1	CAP	
26	72311166	1	HOSE CLIP	
27	72357308	1	SUCTION LINE	
28	72395412	1	RUBBER ARCH	
29	72315802	1	SCREW	DIN 7604 AM22X1,5-ST
30	72315101	1	SEALING WASHER	DIN 7603 A22X27-CU

FARMER 309 (186/14601-30000)  
7488



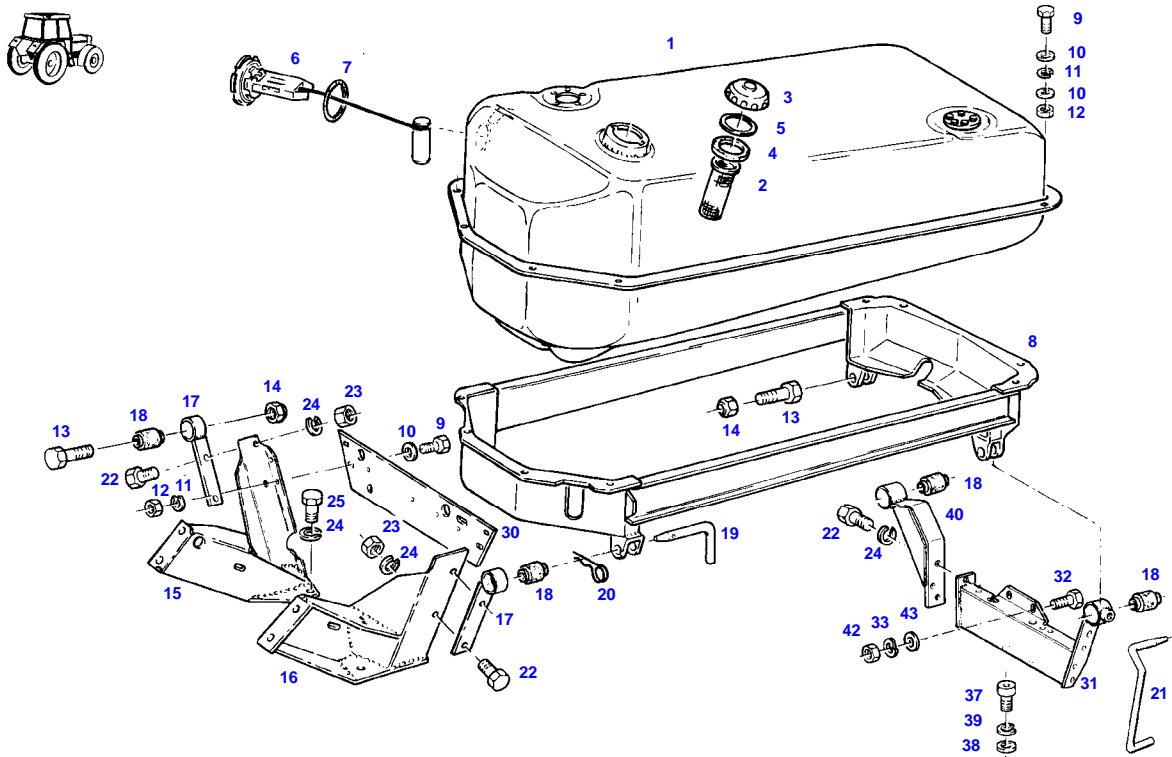
Item	Part Number	Qty	Description Comments	Technical Specification
			<-- 186/20001	
1	72622024	1	PRESSURE HOSE 190 MM CUT TO LENGTH	L=0,50M 8X3,5-FWN65911
2	72438345	4	HOSE CLIP	
4	72395457	1	RUBBER ARCH	
5	72311170	3	HOSE CLIP	
6	72316915	1	CABLE STRAP	FWN 66650 B290X4,8-SW
7	72450289	1	PRESSURE HOSE 510 MM CUT TO LENGTH	L=550 FWN 66041-M4
8	72315806	1	BANJO BOLT	DIN 7643-6-3-A3L
9	72377528	1	RING HOSE NIPPLE	FWN65910-A-DN4
10	72315088	2	SEALING WASHER	DIN 7603 A10X13,5-CU
11	72316897	1	EXPANSION TANK	
12	72310924	1	COLLER LOCKING	
13	72404925	1	CAP	
14	72311166	1	HOSE CLIP	
15	72435869	1	RUBBER ARCH	
16	72311166	3	HOSE CLIP	
17	72357764	1	PIPE	
20	72395458	1	COOLANT LINE	
21	72311162	1	HOSE CLIP	
22	72442422	1	HOSE 1000 MM CUT TO LENGTH	L=1500MM
23	72312049	3	HOSE RETAINER	
24	72397308	1	RETAINER	
25	72315642	2	HEXAGONAL HEAD BOLT	DIN 933 M8 X 16-8.8A3L
26	72313268	6	NUT	DIN 934 M8-8A3L
27	72315053	6	SPLIT WASHER	FWN 65208-8-A3L
28	72397312	1	BRACKET	
29	72315821	4	SCREW	DIN7976-ST6,3X19-C-A3L
30	72311822	6	DISC	DIN9021-6,4-140HV-A3L
33	72395461	1	RETAINER	
34	72397318	1	MARKING PLATE	
36	72315629	1	HEXAGONAL HEAD BOLT	DIN 933 M6 X 12-8.8A3L
37	72313266	1	NUT	DIN 934 M6-8A3L
38	72315052	1	SPLIT WASHER	FWN 65208-6-A3L

FARMER 309 (186/14601-30000)  
7153



Item	Part Number	Qty	Description Comments	Technical Specification
			--> 186/20000	
1	72349985	1	FUEL TANK <>	
	72348556	1	FUEL LEVEL SENSOR	
2	72433112	1	STRAINER	60X100-MS
3	72380143	1	FUEL CAP KOEHLER	M.BELUEF
	72348297	1	><4 FUEL CAP LOCKABLE BLAU ><4+5	
4	72330725	1	SEAL BLAU	
	72312304	1	RUBBER SEAL KOEHLER	
5	72330726	1	SEAL BLAU	
6	72613041	1	FUEL LEVEL SENSOR --> 186/15059 --> 162/8455	
	72348556	1	FUEL LEVEL SENSOR <-- 186/15060 <-- G148.200.060.011	
7	72315169	1	SEALING WASHER	
8	72357106	1	TANK FRAME	
9	72315626	7	HEXAGONAL HEAD BOLT	DIN 933-M6 X 16-8.8-A3L
11	72311822	12	DISC	DIN9021-6,4-140HV-A3L
12	72315052	8	SPLIT WASHER	FWN 65208-6-A3L
13	72313266	8	NUT	DIN 934 M6-8A3L
14	72315719	2	HEXAGONAL HEAD BOLT	DIN 933 M12X60-8.8A3L
15	72313325	2	NUT	DIN 980-VM12-8-A3L
16	72356748	1	BRACKET	
17	72356749	1	BRACKET	
18	72356758	2	SUPPORT ARM	
19	72310644	4	RUBBER BUSHING	
20	72404932	1	BEARING PIN	
21	72311183	1	HAIR COTTER PIN	DIN 11024-4-A3L
22	72393676	1	BEARING PIN	
23	72393681	1	BEARING PIN	
24	72393680	1	LEAF SPRING	
25	72355727	1	CROSSMEMBER	
26	72315642	8	HEXAGONAL HEAD BOLT	DIN 933 M8 X 16-8.8A3L
27	72315657	4	HEXAGONAL HEAD BOLT	DIN 933 M8 X 30-8.8A3L
28	72315053	12	SPLIT WASHER	FWN 65208-8-A3L
29	72313268	4	NUT	DIN 934 M8-8A3L
30	72311788	2	DISC	DIN 125-8,4-ST.A3L
31	72315675	2	HEXAGONAL HEAD BOLT	DIN 933 M10X16-8.8A3L

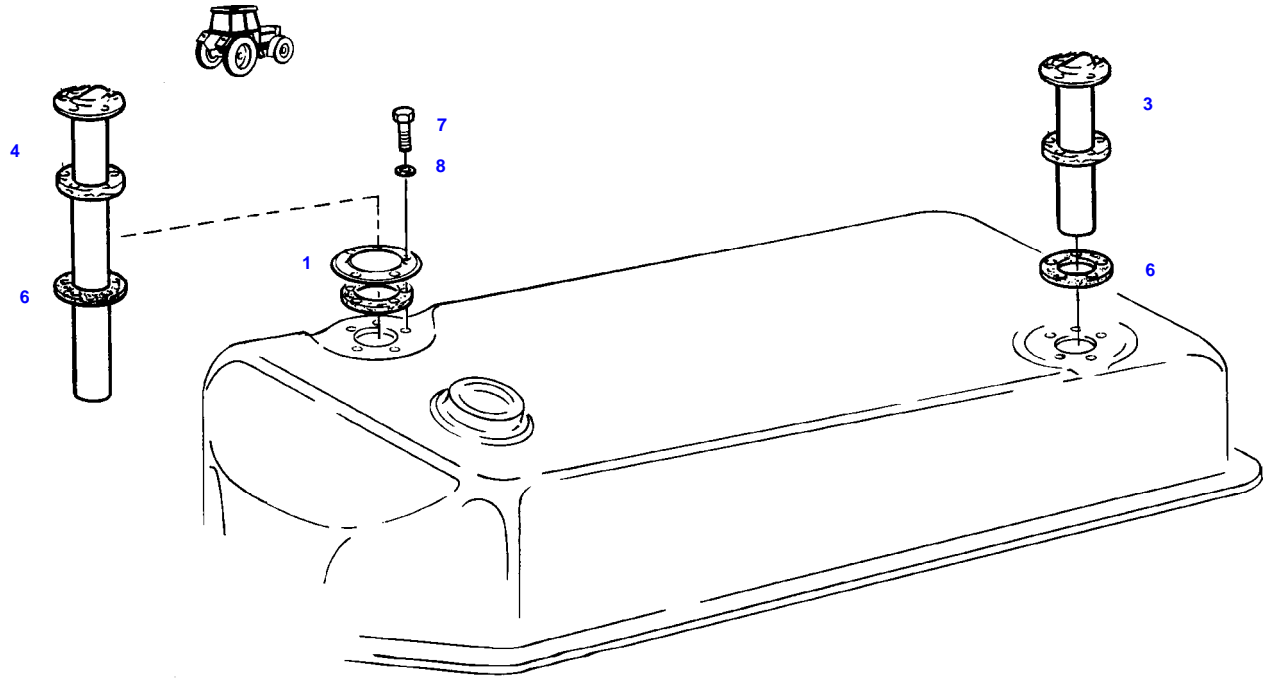
FARMER 309 (186/14601-30000)  
7683



7683

Item	Part Number	Qty	Description Comments	Technical Specification
			<-- 186/20001	
1	72349985	1	FUEL TANK	
2	72433112	1	STRAINER	60X100-MS
3	72380143	1	FUEL CAP KOEHLER	M.BELUEF
	72348297	1	><4 FUEL CAP LOCKABLE BLAU	
			><4+5	
4	72330725	1	SEAL BLAU	
	72312304	1	RUBBER SEAL KOEHLER	
5	72330726	1	SEAL	
6	72348556	1	FUEL LEVEL SENSOR	
			><7 <-- G148.200.060.011	
7	72315169	1	SEALING WASHER	
8	72357106	1	TANK FRAME	
9	72315626	12	HEXAGONAL HEAD BOLT	DIN 933-M6 X 16-8.8-A3L
10	72311822	20	DISC	DIN9021-6,4-140HV-A3L
11	72315052	13	SPLIT WASHER	FWN 65208-6-A3L
12	72313266	13	NUT	DIN 934 M6-8A3L
13	72315719	2	HEXAGONAL HEAD BOLT	DIN 933 M12X60-8.8A3L
14	72313325	2	NUT	DIN 980-VM12-8-A3L
15	72356748	1	BRACKET	
16	72356749	1	BRACKET	
17	72356758	2	SUPPORT ARM	
18	72310644	4	RUBBER BUSHING	
19	72407288	2	BEARING PIN	
20	72311183	2	HAIR COTTER PIN	DIN 11024-4-A3L
21	72393681	1	BEARING PIN	
22	72315657	5	HEXAGONAL HEAD BOLT	DIN 933 M8 X 30-8.8A3L
23	72313268	4	NUT	DIN 934 M8-8A3L
24	72315053	13	SPLIT WASHER	FWN 65208-8-A3L
25	72315642	8	HEXAGONAL HEAD BOLT	DIN 933 M8 X 16-8.8A3L
30	72397321	1	SHEET METAL	
31	72363528	1	CROSSMEMBER	
32	72315689	2	HEXAGONAL HEAD BOLT	DIN 933 M10X35-8.8A3L
33	72317122	2	SPRING WASHER	DIN 137 B10-MECH.VZK
37	72374066	2	SOCKET HEAD BOLT	DIN 912 M12X20-8.8
38	72311804	2	DISC	DIN 433-13-ST.A3L
39	72315055	2	SPLIT WASHER	FWN 65208-12-A3L
40	72357109	1	SUPPORT ARM	
42	72313272	2	NUT	DIN 934 M10-8A3L
43	72311789	2	DISC	DIN 125-10,5-ST.A3L

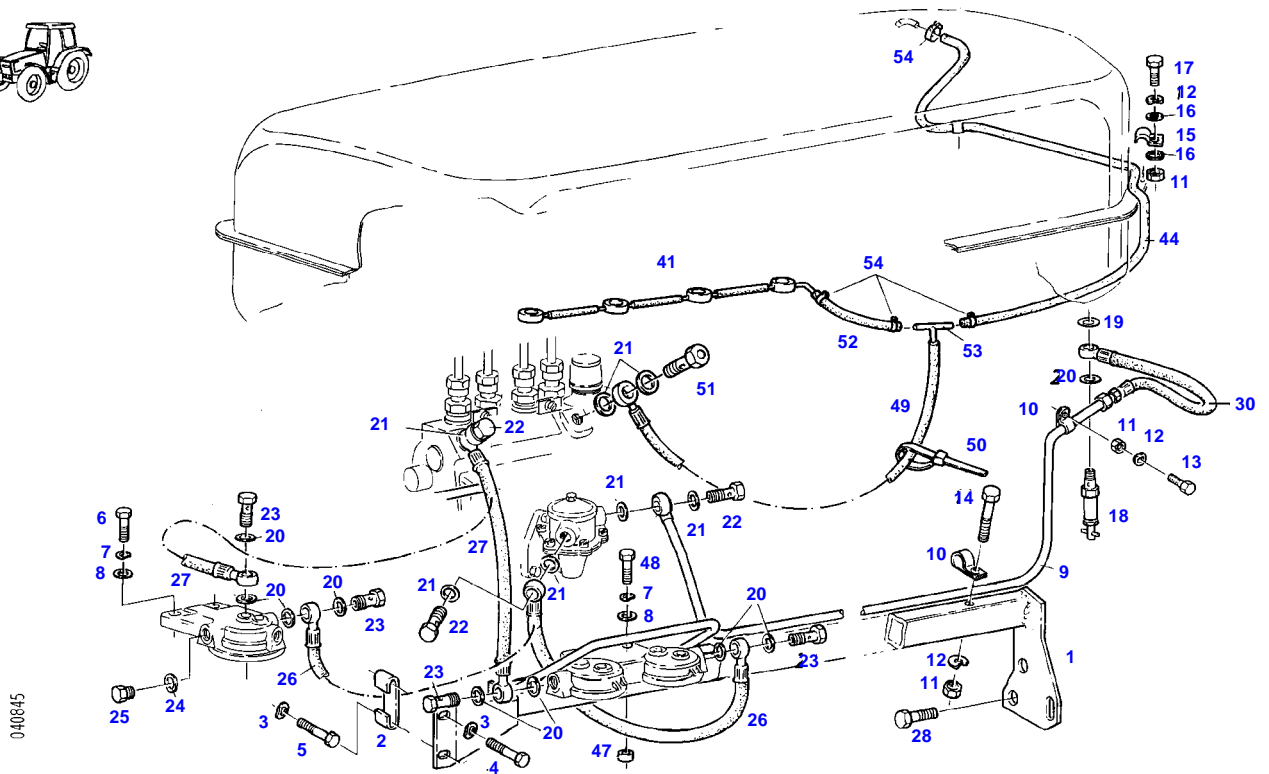
FARMER 309 (186/14601-30000)  
6662



6662

Item	Part Number	Qty	Description Comments	Technical Specification
			--> 186/20000	
1	72409022	2	FLANGE	
3	72380157	1	FUEL LEVEL SENSOR BOARD COMPUTER	
4	72380156	1	FUEL LEVEL SENSOR BOARD COMPUTER	
6	72376132	2	SEALING WASHER	
7	72315619	10	HEXAGONAL HEAD BOLT	DIN 933 M5X16-8.8A3L
8	72376017	10	SEALING WASHER	DIN 7603-A5X7,5-CU

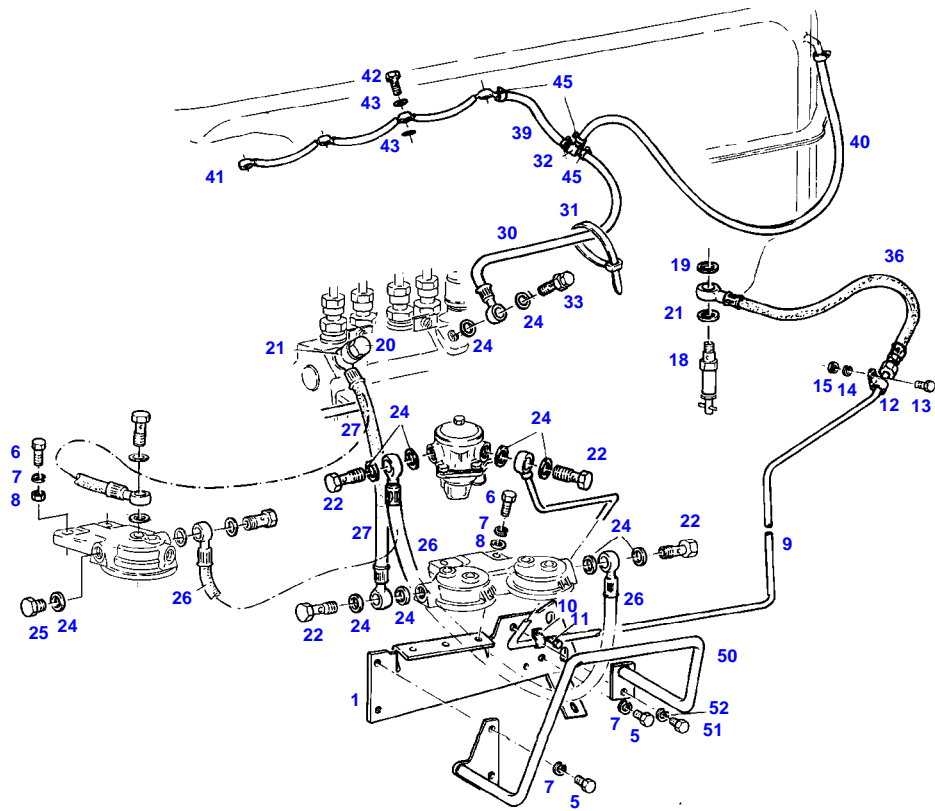
FARMER 309 (186/14601-30000)  
40845



040845

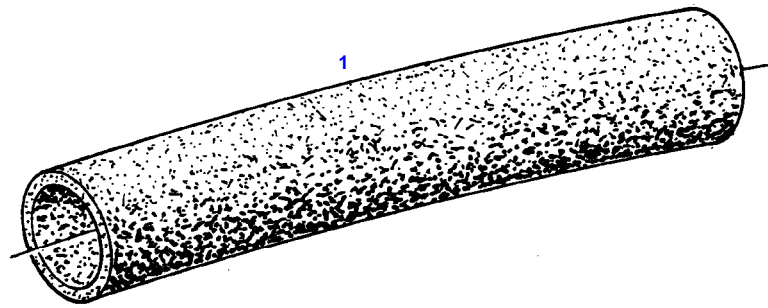
Item	Part Number	Qty	Description Comments	Technical Specification
			--> 186/20000	
1	72356743	1	RETAINER	
2	72399913	1	HOLDER	
3	72317122	2	SPRING WASHER	DIN 137 B10-MECH.VZK
4	72315689	1	HEXAGONAL HEAD BOLT	DIN 933 M10X35-8.8A3L
5	72315691	1	HEXAGONAL HEAD BOLT	DIN 933 M10X40-8.8A3L
6	72315657	2	HEXAGONAL HEAD BOLT	DIN 933 M8 X 30-8.8A3L
7	72315053	2	SPLIT WASHER	FWN 65208-8-A3L
8	72311824	2	DISC	DIN9021-8,4-140HV-A3L
9	72356707	1	TUBING	
10	72311241	2	PIPE CLAMP	
11	72313266	3	NUT	DIN 934 M6-8A3L
12	72315052	3	SPLIT WASHER	FWN 65208-6-A3L
13	72315626	1	HEXAGONAL HEAD BOLT	DIN 933-M6 X 16-8.8-A3L
	72311787	1	DISC NOT ILLUSTRATED	DIN 125-6,4-ST.A3L
14	72315637	1	HEXAGONAL HEAD BOLT	DIN 933 M6X45-8.8A3L
15	72398941	2	FASTENING COLLAR	
16	72311822	4	DISC	DIN9021-6,4-140HV-A3L
17	72315631	2	HEXAGONAL HEAD BOLT	DIN 933 M6 X 20-8.8A3L
18	72380159	1	FUEL SHUT-OFF VALVE	
19	72315093	1	SEALING WASHER	DIN 7603 A12X18-CU
20	72315095	7	SEALING WASHER	DIN 7603 A14X20-CU
21	72315095	6	SEALING WASHER	DIN 7603 A14X20-CU
22	72315808	2	BANJO BOLT	DIN 7643-10-3-A3L
23	72315808	3	BANJO BOLT	DIN 7643-10-3-A3L
24	72315095	2	SEALING WASHER	DIN 7603 A14X20-CU
25	72315799	2	PLUG	DIN 7604 AM14X1,5-A3L
26	72356760	1	FUEL LINE	
27	72355537	1	FUEL LINE	
28	72374490	2	HEXAGONAL HEAD BOLT	DIN 933 M14X20-8.8
	72374493	2	HEXAGONAL HEAD BOLT	DIN 933 M14X30-8.8
30	72357312	1	HOSE LINE	
41	72332525	1	LEAKAGE OIL LINE	
44	72435830	1	PRESSURE HOSE 1100 MM CUT TO LENGTH	L=2100
47	72311848	2	DISC	
48	72315660	2	HEXAGONAL HEAD BOLT	DIN 933 M8X35-8.8A3L
49	72356761	1	FUEL LINE	
50	72316916	2	CABLE STRAP	FWN 66650 B175X4-SW
51	72380268	1	BLEED AND DRAIN VALVE	
52	72450301	1	PRESSURE HOSE 260 MM CUT TO LENGTH	L=1000
53	72380023	1	TEE FITTING	
54	72438345	5	HOSE CLIP	

FARMER 309 (186/14601-30000)  
7689



7689

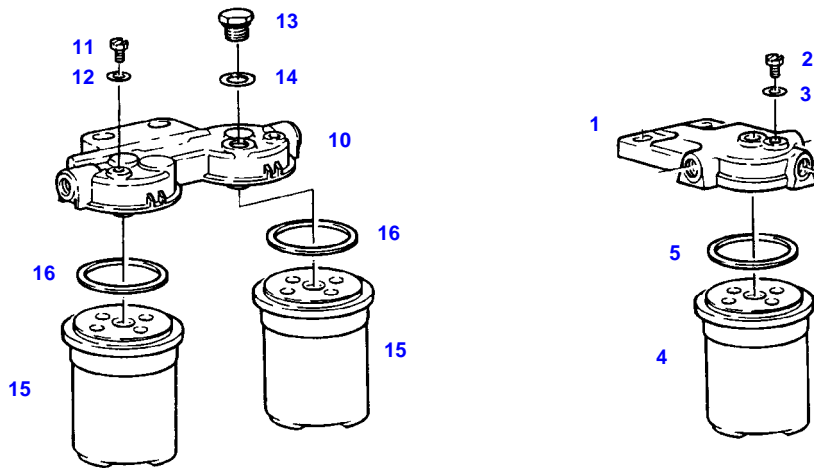
Item	Part Number	Qty	Description Comments	Technical Specification
			<-- 186/20001	
1	72357112	1	FILTER RETAINER	
			<>	
	72310699	1	BUSH	
	72374969	1	SCREW	DIN7976-ST4,8X19-C-A3L
5	72315642	3	HEXAGONAL HEAD BOLT	DIN 933 M8 X 16-8.8A3L
6	72315657	2	HEXAGONAL HEAD BOLT	DIN 933 M8 X 30-8.8A3L
7	72315053	5	SPLIT WASHER	FWN 65208-8-A3L
8	72311824	2	DISC	DIN9021-8,4-140HV-A3L
9	72356707	1	TUBING	
10	72311241	1	PIPE CLAMP	
11	72315819	1	SCREW	DIN7976-ST4,8X13-C-A3L
	72311785	1	DISC	DIN 125-5,3-ST.A3L
12	72311241	1	PIPE CLAMP	
13	72315626	1	HEXAGONAL HEAD BOLT	DIN 933-M6 X 16-8.8-A3L
14	72315052	1	SPLIT WASHER	FWN 65208-6-A3L
15	72313266	1	NUT	DIN 934 M6-8A3L
18	72380159	1	FUEL SHUT-OFF VALVE	
19	72315093	1	SEALING WASHER	DIN 7603 A12X18-CU
20	72310187	1	DOUBLE BOLT	
21	72315095	2	SEALING WASHER	DIN 7603 A14X20-CU
22	72315808	4	BANJO BOLT	DIN 7643-10-3-A3L
24	72315095	14	SEALING WASHER	DIN 7603 A14X20-CU
25	72315799	2	PLUG	DIN 7604 AM14X1,5-A3L
26	72356760	1	FUEL LINE	
27	72356760	1	FUEL LINE	
30	72356761	1	FUEL LINE	
31	72316916	2	CABLE STRAP	FWN 66650 B175X4-SW
32	72380023	1	TEE FITTING	
33	72380268	1	BLEED AND DRAIN VALVE	
36	72356762	1	FUEL LINE	
39	72450301	1	PRESSURE HOSE 260 MM CUT TO LENGTH	L=1000
40	72450301	1	PRESSURE HOSE 750 MM CUT TO LENGTH	L=1000
41	72332525	1	LEAKAGE OIL LINE	
42	72342985	4	SCREW	
43	72315084	8	SEALING WASHER	DIN 7603 A6X10-CU
45	72438345	4	HOSE CLIP	
	72438345	1	HOSE CLIP	
50	72357121	1	PROTECTION BAR	
51	72315642	1	HEXAGONAL HEAD BOLT	DIN 933 M8 X 16-8.8A3L
52	72315053	1	SPLIT WASHER	FWN 65208-8-A3L



8555

Item	Part Number	Qty	Description Comments	Technical Specification
			<b>RAPE SEED OIL METHYLATED ESTER</b>	
1	72436293	1	HEAT SHRINK TUBING 1X 2500 MM CUT TO LENGTH	L=2600
	72436294	X	HEAT SHRINK TUBING 1X 3000 MM CUT TO LENGTH	L=3100
	72436295	1	HEAT SHRINK TUBING 1X 2000 MM CUT TO LENGTH	L=2100

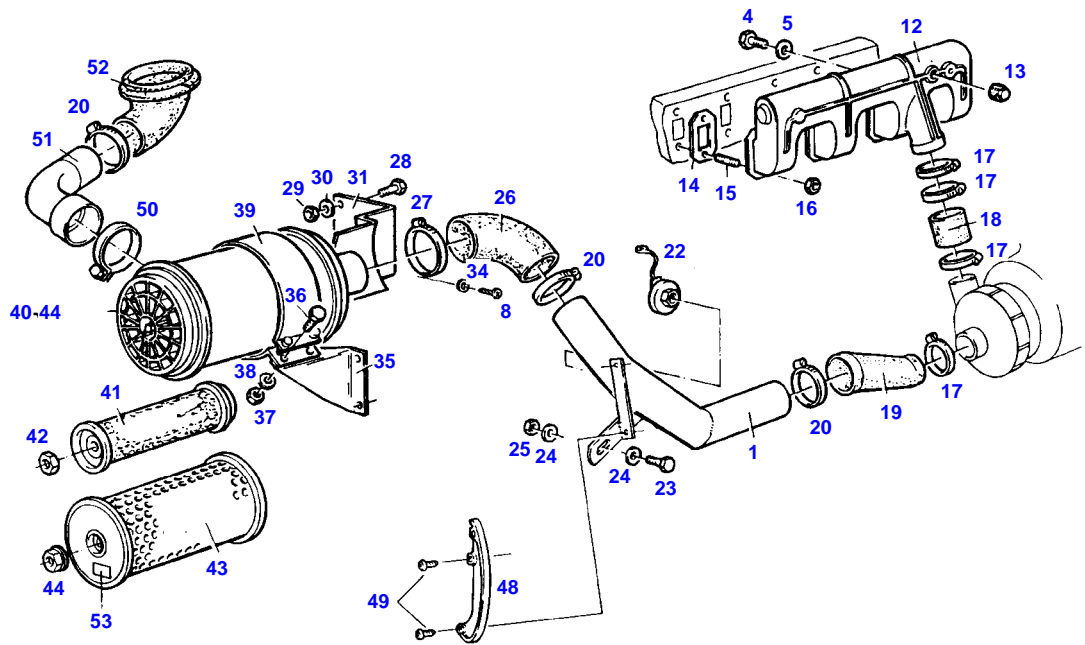
FARMER 309 (186/14601-30000)  
4952



4952

Item	Part Number	Qty	Description Comments	Technical Specification
1	72615599	1	FILTER LID ><2,3	
2	72323290	1	BLEED SCREW	
3	72315084	1	SEALING WASHER	DIN 7603 A6X10-CU
4	72416928	1	FILTER BOX ><5	
5	72314995	1	RUBBER RING PARALLEL-FILTER	
10	72380173	1	PARALLEL FILTER BOSCH ><11-16 <-- X810.190.166.000 1X <>	
	72416928	2	FILTER BOX	
	72451307	1	COVER KNECHT ><11,12 <>	PARALLELFILT.
	72416928	2	FILTER BOX	
11	72323290	2	BLEED SCREW BOSCH	
	72314699	2	BLEED SCREW KNECHT	
12	72315084	2	SEALING WASHER BOSCH	DIN 7603 A6X10-CU
	72315086	2	SEALING WASHER KNECHT	DIN 7603 A8X11,5-CU
13	72326250	1	SCREW BOSCH	
14	72315095	1	SEALING WASHER BOSCH	DIN 7603 A14X20-CU
15	72416928	2	FILTER BOX ><16	
16	72314995	2	RUBBER RING	

FARMER 309 (186/14601-30000)  
4907



4907



**Suggest:**

**For more complete manuals. Please go to the home page.**

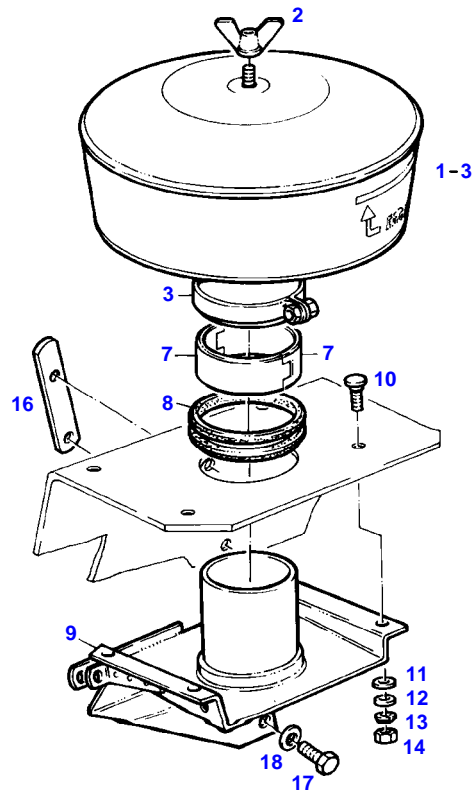
**<https://www.ebooklibonline.com>**

**If the above button click is invalid. Please download this document first, and then click the above link to download the complete manual.**

**Thank you so much for reading**

Item	Part Number	Qty	Description Comments	Technical Specification
			--> 186/20000	
1	72356713	1	INTAKE MANIFOLD	
	72356715	1	INTAKE MANIFOLD	
			AIR BRAKING SYSTEM	
4	72373975	1	SCREW	DIN 910 M20X1,5-ST
5	72376031	1	SEALING WASHER	DIN 7603 A20X24-CU
8			NOT USED	
12	72395914	1	INTAKE MANIFOLD	
13	72315433	1	SCREW	DIN 906 M14X1,5-ST
14	72332145	4	MOLDED SEAL	
15	72373922	8	STUD BOLT	DIN 835-M10X25-8.8
16	72373015	8	NUT	DIN70615-M10-8-A3B
17	72311163	4	HOSE CLIP	
18	72332139	1	HOSE PIECE	
19	72395415	1	REDUCER	
20	72373528	3	HOSE CLIP	
22	72316876	1	MAINTENANCE SWITCH	
23	72315630	1	HEXAGONAL HEAD BOLT	DIN 933 M6X18-8.8A3L
24	72311787	1	DISC	DIN 125-6,4-ST.A3L
25	72313318	1	NUT	DIN6925-M6-8-A3L
26	72395421	1	RUBBER ARCH	
27	72311171	1	HOSE CLIP	
28	72315645	3	HEXAGONAL HEAD BOLT	DIN 933 M8 X 12-8.8A3L
29	72313268	3	NUT	DIN 934 M8-8A3L
30	72315053	3	SPLIT WASHER	FWN 65208-8-A3L
31	72356745	1	RETAINER	
34			NOT USED	
35	72395446	1	SUPPORT	
36	72315629	2	HEXAGONAL HEAD BOLT	DIN 933 M6 X 12-8.8A3L
37	72313266	2	NUT	DIN 934 M6-8A3L
38	72315052	2	SPLIT WASHER	FWN 65208-6-A3L
39	72348547	1	PIPE CLAMP	
40	72348545	1	AIR FILTER	
			>>40-44	
41	72332126	1	SAFETY CARTRIDGE	
42	72339030	1	COLLAR NUT	
43	72332441	1	MICRO-TOP CARTRIDGE	
44	72372827	1	NUT	DIN 934 M16X1,5-10A3L
48	72395417	1	SKID	
49	72315814	2	SCREW	DIN7976-ST4,8X16-F-A3L
50	72373517	1	CLAMPING CLIP	
51	72356718	1	ELBOW FITTING	
52	72393688	1	BELLOWS	
53	72395449	1	ABSORPTION INDICATOR	

FARMER 309 (186/14601-30000)  
5994



7594

**<https://www.ebooklibonline.com>**

Hello dear friend!

Thank you very much for reading.

Enter the link into your browser.

The full manual is available for immediate download.

**<https://www.ebooklibonline.com>**