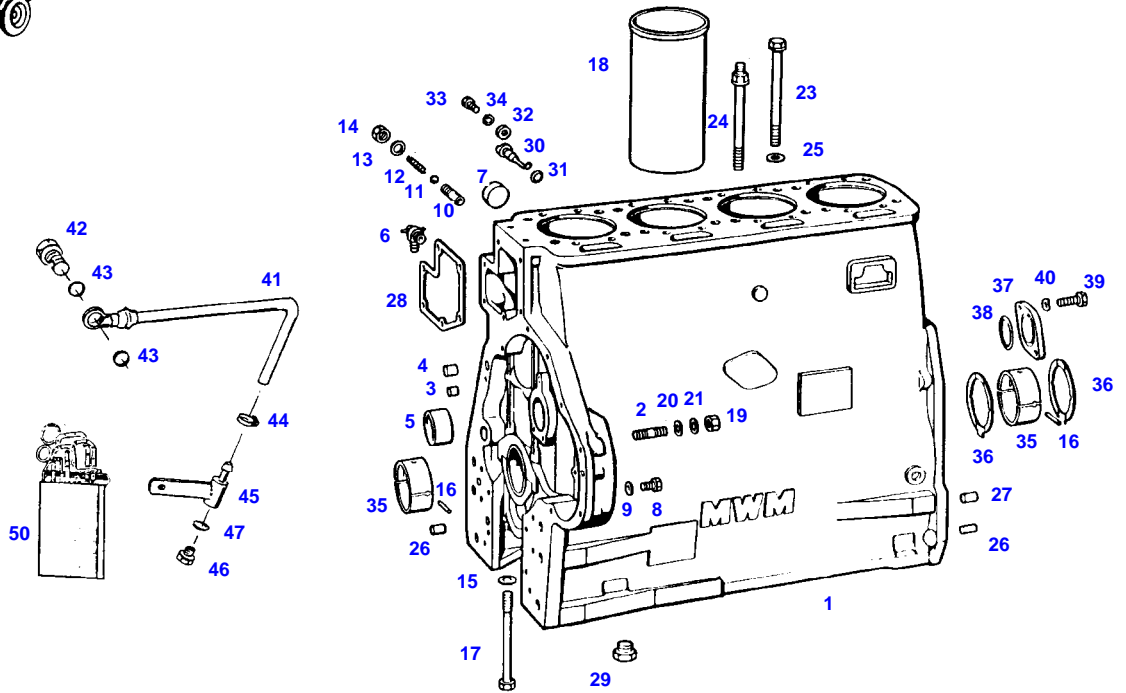


<b>Page Number</b>	<b>Page Title</b>	<b>Page Reference</b>
01-000-TOC	ENGINE, FUEL AND EXHAUST SYSTEM	01-000-TOC
02-000-TOC	AXLES	02-000-TOC
03-000-TOC	STEERING SYSTEM	03-000-TOC
04-000-TOC	DRIVE TRAIN SYSTEM	04-000-TOC
05-000-TOC	COMPRESSED AIR SYSTEM	05-000-TOC
06-000-TOC	HYDRAULIC SYSTEM	06-000-TOC
07-000-TOC	ELECTRICAL SYSTEM	07-000-TOC
08-000-TOC	CAB	08-000-TOC
09-000-TOC	AIR CONDITIONING AND HEATING SYSTEM	09-000-TOC
10-000-TOC	CHASSIS	10-000-TOC
11-000-TOC	WHEELS	11-000-TOC
12-000-TOC	IMPLEMENT LIFT SYSTEM FRONT	12-000-TOC
13-000-TOC	IMPLEMENT LIFT SYSTEM REAR	13-000-TOC
14-000-TOC	FRONT/REAR LOADERS	14-000-TOC
15-000-TOC	ATTACHMENTS	15-000-TOC
16-000-TOC	ACCESSORIES	16-000-TOC

FARMER 309 (186/11501-14600)  
4889



4889

Item	Part Number	Qty	Description Comments	Technical Specification
			63 KW/86 PS 66 KW/90 PS --> 186/13599	
	72431079	1	DIESEL ENGINE CONSULTATION WITH TECHNICAL SERVICE NEEDED 63 KW/86 PS --> 186/12414	
	72431080	1	DIESEL ENGINE CONSULTATION WITH TECHNICAL SERVICE NEEDED 63 KW/86 PS <-- 186/12415	
	72431081	1	DIESEL ENGINE 66 KW/90 PS <-- 186/12415 <-- Z186.206.010.010 PARTS FOR EXCHANGE ENGINE WITH ENGINE NO. D226.4.B 81.... SEE AT F183.001, 66KW 90HP,<--186/13600 MOTOR-NR. D226.4.B 81 ..... SIEH E BEI F186.001, 66KW 90PS, <-- 186/1	
1	72332519	1	CRANKCASE ><1-18,29	
2	72313777	4	STUD BOLT	DIN 939 M10X35-8.8
3	72327772	8	PLUG 10 MM	
4	72327773	3	PLUG 14 MM	
	72327068	2	PLUG 16 MM	
5	72330749	1	BUSH	
6			NOT USED	
7	72377226	4	COVER	DIN 443-50
8	72315676	2	HEXAGONAL HEAD BOLT	DIN 933 M10X12-8.8
9	72315089	2	SEALING WASHER	DIN 7603 A10X16-CU
10	72341074	1	SCREW PIECE	
11	72378872	1	BALL	DIN 5401-9,0MM
12	72341075	1	COMPRESSION SPRING	
13	72315097	1	SEALING WASHER	DIN 7603 A16X20-CU
14	72341076	1	CAP NUT	
15	72324592	10	DISC	
16	72375130	5	TENSIONING PIN	ISO8752-4X8-A-ST-ZNPH
17	72327081	10	HEXAGONAL HEAD BOLT	
18	72331774	4	CYLINDER LINER HONED AFTER MOUNTING	
	72331777	4	CYLINDER LINER FINISHED SIZE	
	72331778	4	CYLINDER LINER FINISHED SIZE HIGH TIN COLLAR	
19	72372811	4	NUT	DIN 934 M10-10A3L
20	72311789	4	DISC	DIN 125-10,5-ST.A3L
21	72375420	4	TOOTHLOCK WASHER	DIN 6797 A10,5
23	72326267	14	HEXAGONAL HEAD BOLT	
24	72326268	2	HEXAGONAL HEAD BOLT	
25	72324592	16	DISC	
26	72313859	4	CYLINDER PIN	DIN 7-8M6X18-ST50K
27	72375324	2	CYLINDER PIN	DIN 7-10M6X28-ST50K
28	72327043	1	MOLDED SEAL	
29	72373972	1	PLUG	DIN 910 M16X1,5-ST
30	72334018	4	NOZZLE	
31	72376423	4	O-RING	14X3-NBR 70 FWN56402
32	72334019	4	DISC	

**<https://www.ebooklibonline.com>**

Hello dear friend!

Thank you very much for reading.

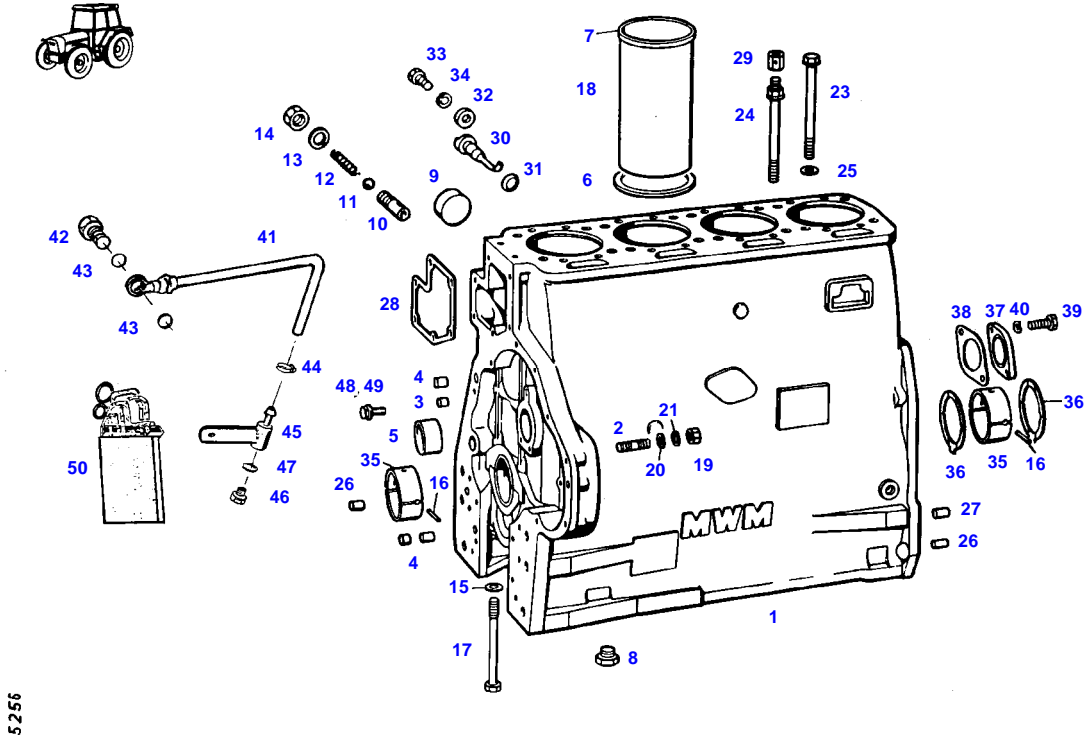
Enter the link into your browser.

The full manual is available for immediate download.

**<https://www.ebooklibonline.com>**

Item	Part Number	Qty	Description Comments	Technical Specification
33	72315642	4	HEXAGONAL HEAD BOLT	DIN 933 M8 X 16-8.8A3L
34	72315053	4	SPLIT WASHER	FWN 65208-8-A3L
35	72341078	7	MAIN BEARING 70,00 MM	
	72341079	7	MAIN BEARING 69,79 MM	
	72341080	7	MAIN BEARING 69,54 MM	
	72341081	7	MAIN BEARING 69,29 MM	
	72341082	7	MAIN BEARING 69,04 MM	
36	72343910	2	THRUST RING 70,00 MM	
	72343911	2	THRUST RING 69,79 MM	
	72343912	2	THRUST RING 69,54 MM	
	72343913	2	THRUST RING 69,04 MM	
37	72343896	1	COVER	
38	72376544	1	O-RING	42,2X3-NBR 70 FWN56402
39	72315650	2	HEXAGONAL HEAD BOLT	DIN 933 M8 X 20-8.8A3L
40	72317121	2	SPRING WASHER	DIN 137 B8-MECH.VZK
41	72313976	1	COOLING WATER DRAIN LINE	
42	72315808	1	BANJO BOLT	DIN 7643-10-3-A3L
43	72315094	2	SEALING WASHER	DIN 7603 A14X18-CU
44	72438345	1	HOSE CLIP	
45	72355704	1	HOSE RETAINER	
46	72315436	1	SCREW	DIN 908 M10X1-ST A3L
47	72315088	1	SEALING WASHER	DIN 7603 A10X13,5-CU
50	72376237	1	SEAL KIT TD 226-4	TD 226-4

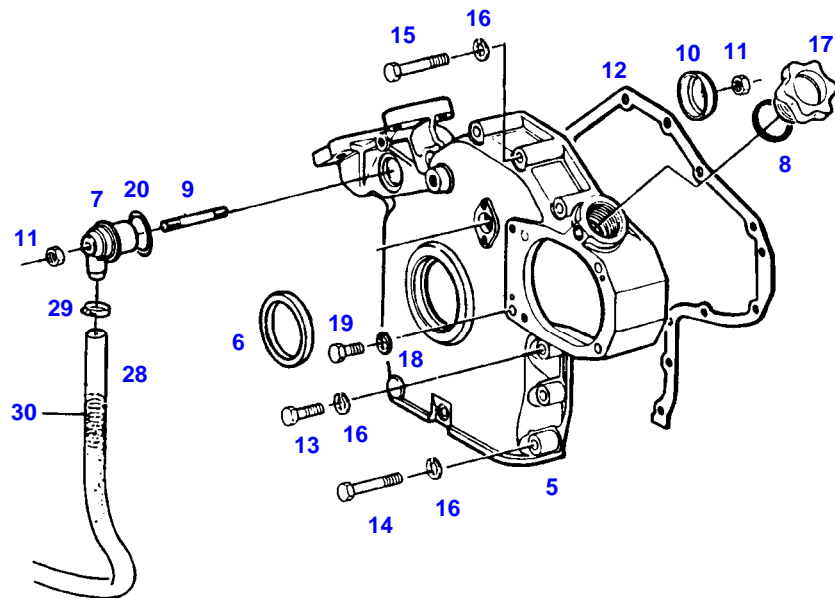
FARMER 309 (186/11501-14600)  
5256



Item	Part Number	Qty	Description Comments	Technical Specification
			<b>66 KW/90 PS &lt;-- 186/13600</b>	
1	72431082	1	DIESEL ENGINE	
	72332452	1	CRANKCASE ><2-5,8-17,19-21,48+49 <-- F186.200.210.130 <>	
	72340921	1	MIDGRIP NUT	
	72340920	1	DISC	
	72375420	4	TOOTHLOCK WASHER	DIN 6797 A10,5
	72416321	1	CAMSHAFT	
	72313272	4	NUT	DIN 934 M10-8A3L
	72311789	4	DISC	DIN 125-10,5-ST.A3L
	72326139	1	PIPE PIECE	
2	72313777	4	STUD BOLT	DIN 939 M10X35-8.8
3	72327772	8	PLUG 10 MM	
4	72327773	3	PLUG 14 MM	
	72327068	2	PLUG 16 MM	
5	72329540	1	BUSH	
6	72343893	8	SEAL	
7	72329541	8	SEAL	
8	72337035	1	HEXAGONAL HEAD BOLT	
9	72377226	4	COVER	DIN 443-50
10	72341074	1	SCREW PIECE	
11	72378872	1	BALL	DIN 5401-9,0MM
12	72341075	1	COMPRESSION SPRING	
13	72315097	1	SEALING WASHER	DIN 7603 A16X20-CU
14	72341076	1	CAP NUT	
15	72328007	10	DRIVER	
16	72375130	5	TENSIONING PIN	ISO8752-4X8-A-ST-ZNPH
17	72327081	10	HEXAGONAL HEAD BOLT	
18	72425044	4	CYLINDER LINER	
19	72372811	4	NUT	DIN 934 M10-10A3L
20	72311789	4	DISC	DIN 125-10,5-ST.A3L
21	72375420	4	TOOTHLOCK WASHER	DIN 6797 A10,5
23	72333013	14	SOCKET HEAD BOLT MUST NOT BE RETIGHTENED	
24	72333014	2	HEXAGONAL HEAD BOLT MUST NOT BE RETIGHTENED	
25	72324592	16	DISC	
26	72313859	4	CYLINDER PIN	DIN 7-8M6X18-ST50K
27	72375324	2	CYLINDER PIN	DIN 7-10M6X28-ST50K
28	72327043	1	MOLDED SEAL	
29			NOT USED	
30	72334018	4	NOZZLE	
31	72376423	4	O-RING	14X3-NBR 70 FWN56402
32	72334019	4	DISC	
33	72315642	4	HEXAGONAL HEAD BOLT	DIN 933 M8 X 16-8.8A3L
34	72315053	4	SPLIT WASHER	FWN 65208-8-A3L
35	72341078	5	MAIN BEARING 70,00 MM	
	72341079	5	MAIN BEARING 69,79 MM	
	72341080	5	MAIN BEARING 69,54 MM	
	72341081	5	MAIN BEARING 69,29 MM	
	72341082	5	MAIN BEARING 69,04 MM	
36	72343910	2	THRUST RING 70,00 MM	

Item	Part Number	Qty	Description Comments	Technical Specification
	72343911	2	THRUST RING 69,79 MM	
	72343912	2	THRUST RING 69,54 MM	
	72343913	2	THRUST RING 69,04 MM	
37	72343896	1	COVER	
38	72333001	1	SEAL	
39	72315650	2	HEXAGONAL HEAD BOLT	DIN 933 M8 X 20-8.8A3L
40	72315053	2	SPLIT WASHER	FWN 65208-8-A3L
41	72313976	1	COOLING WATER DRAIN LINE	
42	72315808	1	BANJO BOLT	DIN 7643-10-3-A3L
43	72315094	2	SEALING WASHER	DIN 7603 A14X18-CU
44	72438345	1	HOSE CLIP	
45	72355704	1	HOSE RETAINER	
46	72315436	1	SCREW	DIN 908 M10X1-ST A3L
47	72315088	1	SEALING WASHER	DIN 7603 A10X13,5-CU
48	72315436	1	SCREW	DIN 908 M10X1-ST A3L
49	72315088	1	SEALING WASHER	DIN 7603 A10X13,5-CU
50	72332453	1	SEAL KIT TD 226B-4	

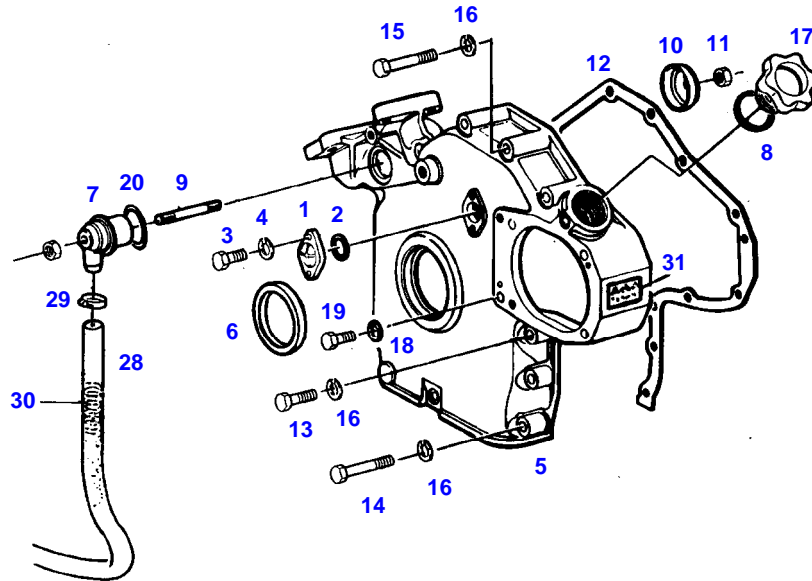
FARMER 309 (186/11501-14600)  
4890



4890

Item	Part Number	Qty	Description Comments	Technical Specification
			<b>63 KW/86 PS</b> <b>66 KW/90 PS --&gt; 186/13599</b>	
5	72340126	1	CRANKCASE END COVER	
6	72332982	1	RADIAL SEALING RING	
7	72326907	1	HOUSING	
8	72376514	1	O-RING	32X4-NBR 70 FWN56402
9	72326906	1	THREADED PIN	
10	72326904	1	COVER PANEL	
11	72313266	2	NUT	DIN 934 M6-8A3L
12	72330757	1	MOLDED SEAL	
13	72315659	1	HEXAGONAL HEAD BOLT	DIN 933 M8X35-8.8
14	72374158	7	HEXAGONAL HEAD BOLT	DIN 931 M8X45-8.8
15	72315534	5	HEXAGONAL HEAD BOLT	DIN 931 M8 X 70-8.8
16	72315053	13	SPLIT WASHER	FWN 65208-8-A3L
17	72321607	1	PLUG	
18	72315087	1	SEALING WASHER	DIN 7603 A8X14-CU
19	72315643	1	HEXAGONAL HEAD BOLT	DIN 933 M8X10-8.8
20	72376538	1	O-RING	40X4
28	72436284	1	HOSE 1X 750MM CUT TO LENGTH	L=1120 FWN65912-19X3-PVC-W-G
29	72311166	1	HOSE CLIP	
30	72407980	1	COMPRESSION SPRING	

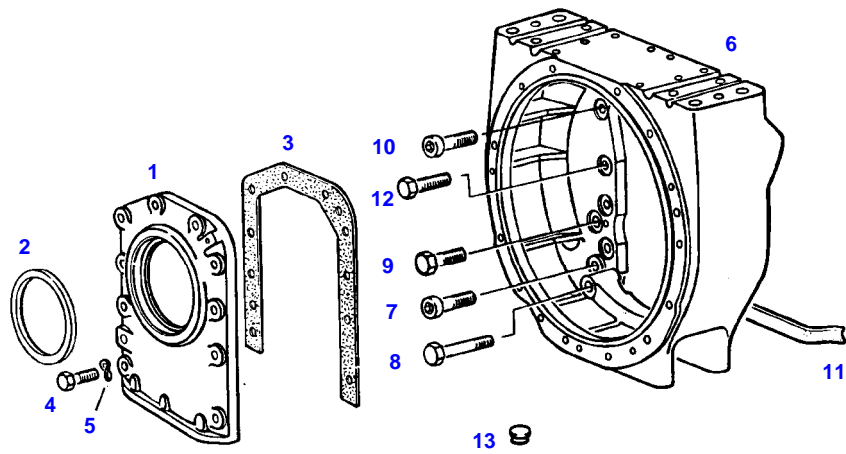
FARMER 309 (186/11501-14600)  
4686



4686

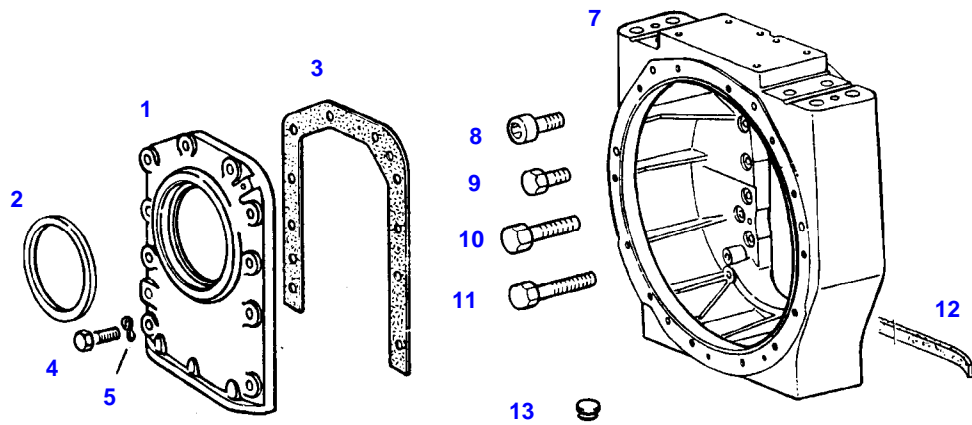
Item	Part Number	Qty	Description Comments	Technical Specification
<b>66 KW/90 PS &lt;-- 186/13600</b>				
1	72343896	1	COVER	
2	72376544	1	O-RING	42,2X3-NBR 70 FWN56402
3	72315650	2	HEXAGONAL HEAD BOLT	DIN 933 M8 X 20-8.8A3L
4	72317121	2	SPRING WASHER	DIN 137 B8-MECH.VZK
5	72340126	1	CRANKCASE END COVER	
6	72332982	1	RADIAL SEALING RING	
7	72326907	1	HOUSING	
8	72376514	1	O-RING	32X4-NBR 70 FWN56402
9	72326906	1	THREADED PIN	
10	72326904	1	COVER PANEL	
11	72372804	2	NUT	DIN 934 M6-10
12	72330757	1	MOLDED SEAL	
13	72315660	1	HEXAGONAL HEAD BOLT	DIN 933 M8X35-8.8A3L
14	72374372	7	HEXAGONAL HEAD BOLT	DIN 931 M8X45S-8.8
15	72315534	5	HEXAGONAL HEAD BOLT	DIN 931 M8 X 70-8.8
16	72315053	13	SPLIT WASHER	FWN 65208-8-A3L
17	72321607	1	PLUG	
18	72315087	1	SEALING WASHER	DIN 7603 A8X14-CU
19	72315644	1	HEXAGONAL HEAD BOLT	DIN 933 M8X10-8.8A3L
20	72376538	1	O-RING	40X4
28	72436284	1	HOSE 1X 830MM CUT TO LENGTH	L=1120 FWN65912-19X3-PVC-W-G
29	72311166	1	HOSE CLIP	
30	72407980	1	COMPRESSION SPRING	
31	72312910	1	DECAL	

FARMER 309 (186/11501-14600)  
5239



5239

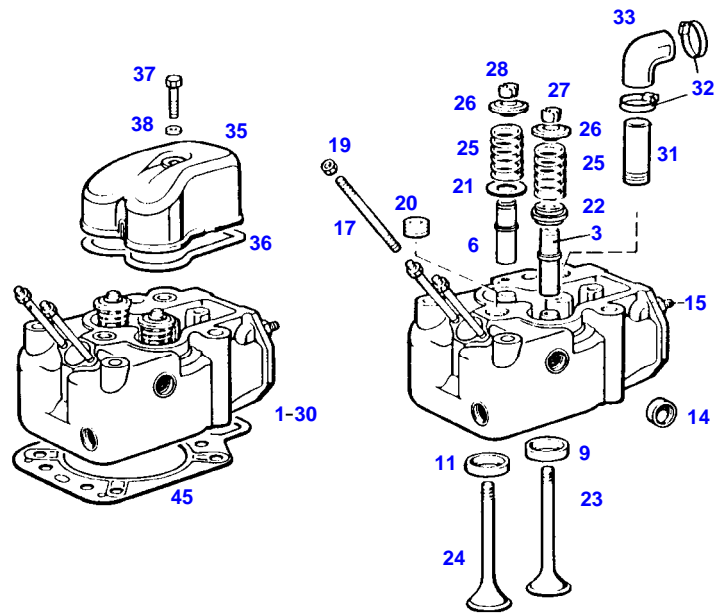
Item	Part Number	Qty	Description Comments	Technical Specification
			--> 186/12414	
1	72330754	1	CRANKCASE END COVER ><1+2	
2	72376834	1	SHAFT SEAL	110X130X14,5
3	72330755	1	MOLDED SEAL	
4	72315759	10	HEXAGONAL HEAD BOLT	DIN 933 M8X25 SK-8.8
5	72317121	10	SPRING WASHER	DIN 137 B8-MECH.VZK
6	72392823	1	HOUSING <>	
7	72315511	2	SOCKET HEAD BOLT	DIN 912 M12X40-10.9
8	72374184	2	HEXAGONAL HEAD BOLT	DIN 931 M10X75-12.9
9	72484465	3	HEXAGONAL HEAD BOLT	M12X35
10	72374073	1	SOCKET HEAD BOLT	DIN 912 M12X45-12.9
11	72325584	1	RUBBER STRIP	
12	72374435	10	HEXAGONAL HEAD BOLT	DIN933 M10X33 GWA-10.9
13	72314756	1	LOCKING PLUG GPN300-F21	F21
	72375075	1	LOCKING PLUG GPN300-F3	F3
	72314763	4	LOCKING PLUG F211	F211
	72314748	4	LOCKING PLUG GPN300-F11	SW-F11
	72375092	4	LOCKING PLUG GPN300-F12	V14
	72375100	1	SCREW PLUG GPN700 AM18	M18
	72317290	1	TAPERED PLUG GPN500 B47	



6027

Item	Part Number	Qty	Description Comments	Technical Specification
			<-- 186/12415	
1	72330754	1	CRANKCASE END COVER ><2	
2	72376834	1	SHAFT SEAL	110X130X14,5
3	72330755	1	MOLDED SEAL	
4	72315759	10	HEXAGONAL HEAD BOLT	DIN 933 M8X25 SK-8.8
5	72317121	10	SPRING WASHER	DIN 137 B8-MECH.VZK
7	72395452	1	HOUSING	
8	72374073	4	SOCKET HEAD BOLT	DIN 912 M12X45-12.9
9	72315686	10	HEXAGONAL HEAD BOLT	DIN 933-M10X35-12.9
10	72374220	4	HEXAGONAL HEAD BOLT	DIN 931-M12X80-12.9
11	72374189	2	HEXAGONAL HEAD BOLT	DIN 931 M10X85-12.9
12	72325584	1	RUBBER STRIP	
13	72314756	1	LOCKING PLUG F21	F21
	72375075	2	LOCKING PLUG F3	F3
	72314763	4	LOCKING PLUG F211	F211
	72314748	4	LOCKING PLUG F11	SW-F11
	72375092	4	LOCKING PLUG F12	V14
	72375100	1	SCREW PLUG M18	M18
	72317290	1	TAPERED PLUG B47	

FARMER 309 (186/11501-14600)  
4894



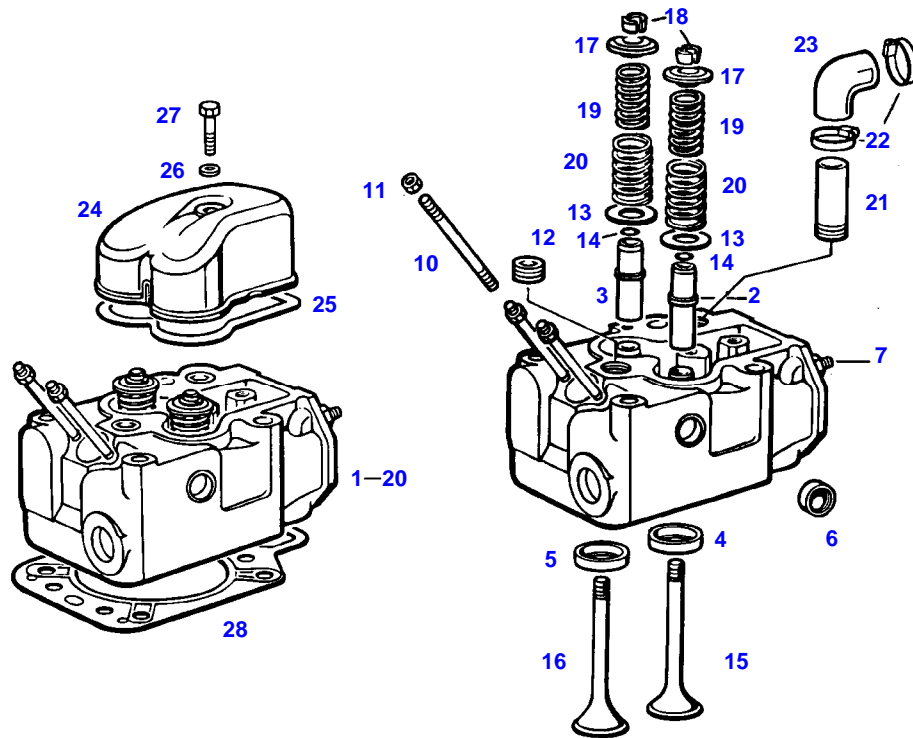
4894

Item	Part Number	Qty	Description Comments	Technical Specification
			<b>63 KW/86 PS</b> <b>66 KW/90 PS --&gt; 186/13599</b>	
1	72341086	4	CYLINDER HEAD ><1-30	
3	72341089	4	VALVE GUIDE --> 186/12414 INTAKE	
	72343644	4	VALVE GUIDE <-- 186/12415	
6	72327062	4	VALVE GUIDE --> 186/12414 OUTLET	
	72343644	4	VALVE GUIDE <-- 186/12415	
8	72343647	8	SEAL	
9	72341096	4	VALVE SEAT RING --> 186/12414 INTAKE	
	72341101	4	VALVE SEAT RING <-- 186/12415 INTAKE	
11	72332174	4	VALVE SEAT RING --> 186/12414 OUTLET	
	72332462	4	VALVE SEAT RING <-- 186/12415 OUTLET	
14	72327095	16	SHEET METAL COVER	
15			SEE AIRFILTER	
17	72374632	8	STUD BOLT	DIN 939 M8X55-8.8
19	72313267	8	NUT	DIN 934 M8-10
20	72373948	4	PLUG SCREW	DIN 906 M22X1,5-ST
21	72326923	4	DISC OUTLET	
	72340915	4	DISC ENGINE BRAKE OUTLET	
22	72341091	4	ROTO CAP INTAKE	
	72326923	4	DISC INTAKE ENGINE BRAKE	
23	72341097	4	POPPET INTAKE	
24	72341093	4	POPPET OUTLET	
25	72327057	8	COMPRESSION SPRING	
	72327057	4	COMPRESSION SPRING INTAKE ENGINE BRAKE	
	72340913	4	VALVE SPRING ENGINE BRAKE OUTLET	
	72340914	4	VALVE SPRING ENGINE BRAKE OUTLET	
26	72327093	8	SPRING RETAINER	
27	72341095	8	TAPER PIECE HALF INTAKE	
28	72327092	8	TAPER PIECE HALF OUTLET	
31	72334841	4	PIPE PIECE	
32	72311167	8	HOSE CLIP	
33	72329731	4	RUBBER ARCH	

## CYLINDER HEAD

Item	Part Number	Qty	Description Comments	Technical Specification
35	72334863	4	CYLINDER HEAD COVER	
36	72334862	4	MOLDED SEAL	
37	72315691	4	HEXAGONAL HEAD BOLT	DIN 933 M10X40-8.8A3L
38	72315089	4	SEALING WASHER	DIN 7603 A10X16-CU
45	72326269	4	CYLINDER HEAD GASKET 1,4 MM	

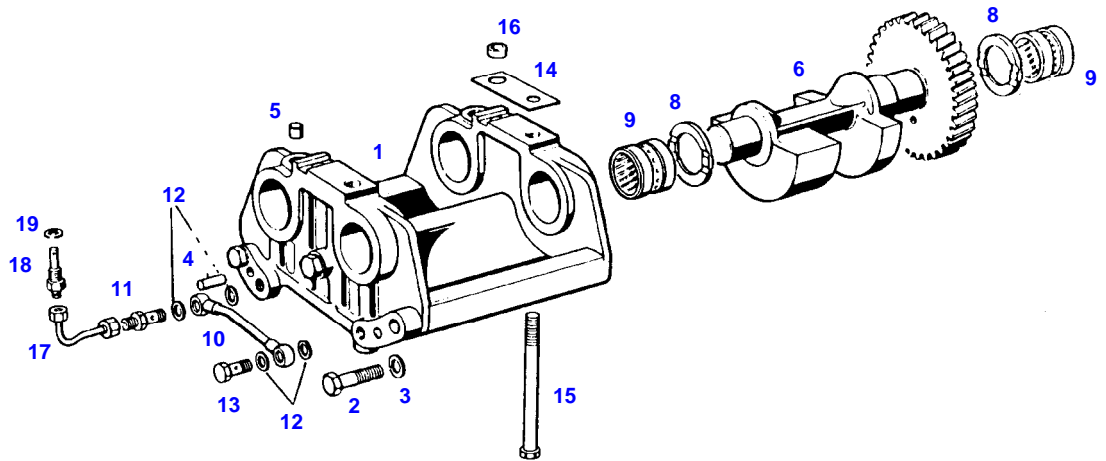
FARMER 309 (186/11501-14600)  
4690



4690

Item	Part Number	Qty	Description Comments	Technical Specification
			<b>66 KW/90 PS &lt;-- 186/13600</b>	
1	72343643	4	CYLINDER HEAD ><1-20	
2	72343644	4	VALVE GUIDE ><2+14 INTAKE	
3	72343645	4	VALVE GUIDE OUTLET ><3+14	
4	72343650	4	VALVE SEAT RING INTAKE	
5	72343902	4	VALVE SEAT RING OUTLET	
6	72311455	16	COVER	
7			SEE AIRFILTER	
10	72374627	8	STUD BOLT	DIN 939 M8X40-8.8
11	72313268	8	NUT	DIN 934 M8-8A3L
12	72373948	4	PLUG SCREW	DIN 906 M22X1,5-ST
13	72340915	8	DISC	
14	72343647	8	SEAL	
15	72343651	4	POPPET INTAKE	
16	72343905	4	POPPET OUTLET	
17	72327093	8	SPRING RETAINER	
18	72327092	16	TAPER PIECE HALF	
19	72340914	8	VALVE SPRING	
20	72340913	8	VALVE SPRING	
21	72411402	1	HOSE BARB <>	
	72315101	1	SEALING WASHER	DIN 7603 A22X27-CU
	72334841	4	PIPE PIECE <-- 192/3016	
22	72311167	8	HOSE CLIP	
23	72332971	4	RUBBER ARCH	
24	72343906	4	CYLINDER HEAD COVER	
25	72343908	4	MOLDED SEAL	
26	72315087	4	SEALING WASHER	DIN 7603 A8X14-CU
27	72315659	4	HEXAGONAL HEAD BOLT	DIN 933 M8X35-8.8
28	72343992	4	CYLINDER HEAD GASKET	

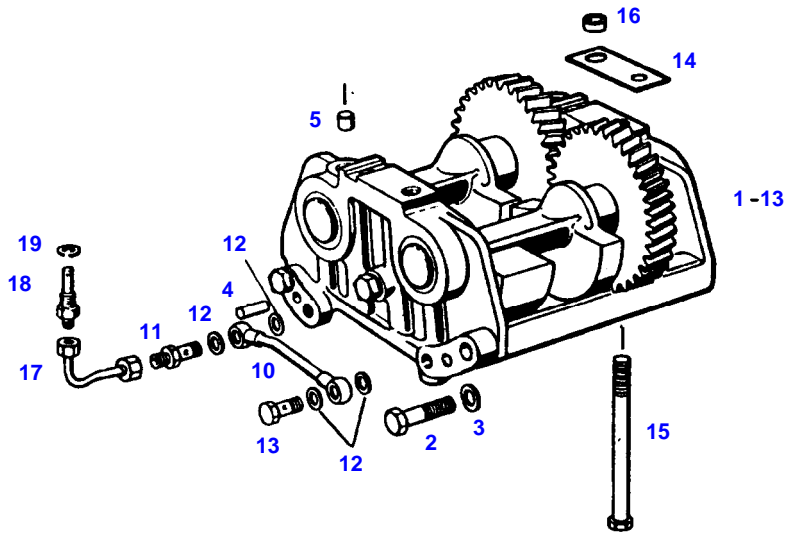
FARMER 309 (186/11501-14600)  
4892



4892

Item	Part Number	Qty	Description Comments	Technical Specification
			63 KW/86 PS 66 KW/90 PS --> 186/13599	
1	72337046	1	COUNTERBALANCING ><1-14 <-- F186.200.210.050 1X	
	72329205	1	HOUSING	
2	72374177	3	HEXAGONAL HEAD BOLT	DIN 931 M10X45-8.8
3	72315054	3	SPLIT WASHER	FWN 65208-10-A3L
4	72372613	2	TAPER PIN	DIN 258-8X55-ST50K
5	72325101	4	PLUG	
6	72337047	1	SHAFT DRIVING	
	72337048	1	SHAFT DRIVEN	
8	72329215	4	BEARING RING <-- F186.200.210.050 1X	
9	72337457	4	BEARING BUSHING	
10	72329212	1	LUBRICANT PRESSURE LINE	
11	72329213	1	SCREW PIECE	
12	72315088	4	SEALING WASHER	DIN 7603 A10X13,5-CU
13	72315806	1	BANJO BOLT	DIN 7643-6-3-A3L
14	72329210	X	SHIM	
15	72374198	4	HEXAGONAL HEAD BOLT	DIN 931 M10X105-8.8
16	72332521	2	LOCATING SLEEVE	
17	72329225	1	OIL PRESSURE LINE	
18	72329224	1	SCREW PIECE	
19	72315098	1	SEALING WASHER	DIN 7603 A16X22-CU

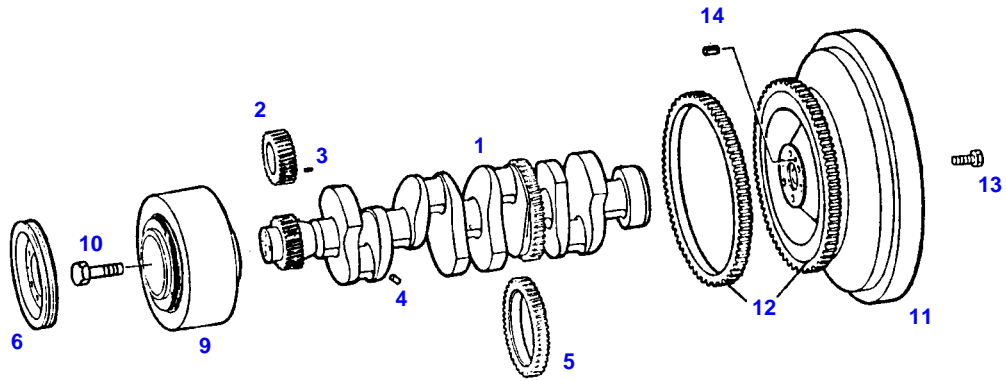
FARMER 309 (186/11501-14600)  
5260



5260

Item	Part Number	Qty	Description Comments	Technical Specification
			<b>66 KW/90 PS &lt;-- 186/13600</b>	
1	72318354	1	COUNTERBALANCING ><2-13	
2	72374177	3	HEXAGONAL HEAD BOLT	DIN 931 M10X45-8.8
3	72315054	3	SPLIT WASHER	FWN 65208-10-A3L
4	72372613	2	TAPER PIN	DIN 258-8X55-ST50K
5	72325101	4	PLUG	
10	72329212	1	LUBRICANT PRESSURE LINE	
11	72329213	1	SCREW PIECE	
12	72315088	4	SEALING WASHER	DIN 7603 A10X13,5-CU
13	72315806	1	BANJO BOLT	DIN 7643-6-3-A3L
14	72329210	X	SHIM	
15	72374198	4	HEXAGONAL HEAD BOLT	DIN 931 M10X105-8.8
16	72332521	2	LOCATING SLEEVE	
17	72329225	1	OIL PRESSURE LINE	
18	72329224	1	SCREW PIECE	
19	72315098	1	SEALING WASHER	DIN 7603 A16X22-CU

FARMER 309 (186/11501-14600)  
4891

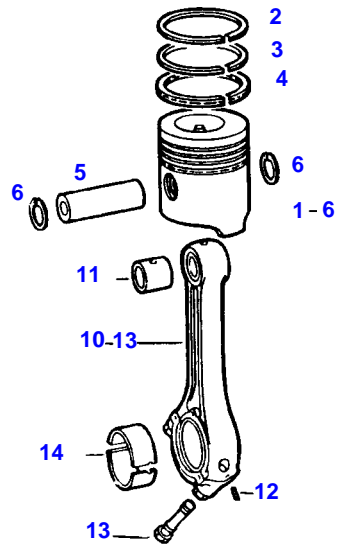


4891

Item	Part Number	Qty	Description Comments	Technical Specification
1	72332520	1	CRANKSHAFT ><2-5	
2	72341105	1	SPUR GEAR	
3	72313801	1	TENSIONING PIN	ISO8752-4X14-A-ST
4	72337059	4	PLUG	
5	72329220	1	RING GEAR	
6			SEE V-BELT	
9	72332454	1	HUB	
10	72374113	4	SOCKET HEAD BOLT	DIN 912 M16X50-10.9
11	72332461	1	FLYWHEEL ><12	
12	72330772	1	RING GEAR	
13	72315739	6	HEXAGONAL HEAD BOLT	DIN 933 M16X60 GWA-10.9
14	72375149	1	TENSIONING PIN	ISO8752-6X10-A-ST
	72329545	1	PIN NOT ILLUSTRATED	

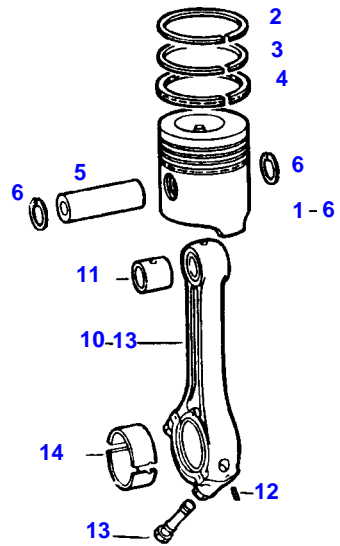
FARMER 309 (186/11501-14600)  
3119

---



3119

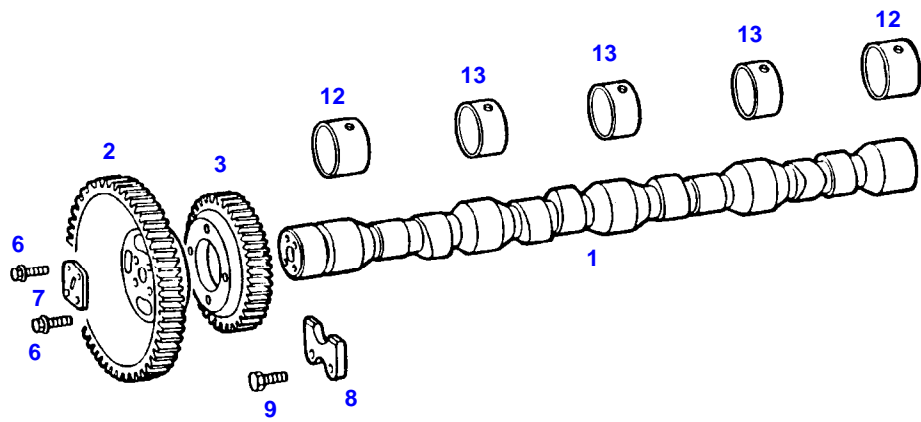
Item	Part Number	Qty	Description Comments	Technical Specification
			<b>63 KW/86 PS</b> <b>66 KW/90 PS --&gt; 186/13599</b>	
1	72343595	4	PISTON ><1-6	
	72343596	4	PISTON ><1-6	
2	72329077	4	OVERSIZE 0,5 MM KEYSTONE RING	
	72329079	4	KEYSTONE RING OVERSIZE 0,5 MM	
3	72331781	4	TAPERED COMPRESSION RING	
	72331787	4	TAPERED COMPRESSION RING OVERSIZE 0,5 MM	
4	72341114	4	WEDGE-SECTION RING	
	72326281	4	DOUBLE BEVELLED OIL CONTROL RING OVERSIZE 0,5 MM	
5			NOT AVAILABLE IN SINGLE PARTS	
6	72311094	8	LOCK WASHER	DIN 472-35X1,5
10	72341117	4	PISTON ROD ><10-13	
11	72341118	4	SMALL-END BUSH	
12	72313802	4	TENSIONING PIN	ISO8752-4X16-A-ST-ZNPHR10F-KOE
13	72327143	8	CONNECTING ROD BOLT	
14	72341119	4	CONNECTING ROD BEARING 63,00 MM	
	72341120	4	CONNECTING ROD BEARING 62,75 MM	
	72341121	4	CONNECTING ROD BEARING 62,50 MM	
	72341122	4	CONNECTING ROD BEARING 62,25 MM	
	72341123	4	CONNECTING ROD BEARING 62,00 MM	



3119

Item	Part Number	Qty	Description Comments	Technical Specification
			<b>66 KW/90 PS &lt;-- 186/13600</b>	
1	72333026	4	PISTON TO BE EXCHANGED BY SET <-- F199.204.310.010 ><2-6	
2	72333027	4	PISTON RING KIT ><2-4	
3			NOT AVAILABLE IN SINGLE PARTS	
4			NOT AVAILABLE IN SINGLE PARTS	
5			NOT AVAILABLE IN SINGLE PARTS	
6	72332584	8	LOCKWASHER	
10	72343926	4	PISTON ROD ><11-13	
11	72341118	4	SMALL-END BUSH	
12	72313802	4	TENSIONING PIN	ISO8752-4X16-A-ST-ZNPHR10F-KOE
13	72327143	8	CONNECTING ROD BOLT	
14	72341119	4	CONNECTING ROD BEARING 63,00 MM	
	72341120	4	CONNECTING ROD BEARING 62,75 MM	
	72341121	4	CONNECTING ROD BEARING 62,50 MM	
	72341122	4	CONNECTING ROD BEARING 62,25 MM	
	72341123	4	CONNECTING ROD BEARING 62,00 MM	

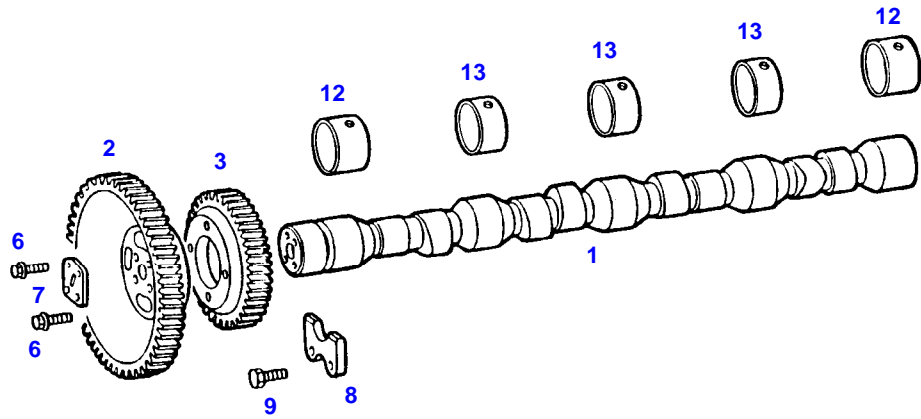
FARMER 309 (186/11501-14600)  
4893



4893

Item	Part Number	Qty	Description Comments	Technical Specification
			63 KW/86 PS 66 KW/90 PS --> 186/13599	
1	72334881	1	CAMSHAFT	
2	72330784	1	SPUR GEAR	
3	72327170	1	SPUR GEAR	
6	72375063	8	LOCK SCREW	FWN 64993 M8X22-12.9
7	72331325	1	PROFIED FLANGE	
8	72327172	1	SEGMENT	
9	72375061	2	LOCK SCREW	W151.12 M8X16-90
12	72325608	2	BUSH	
13	72325609	3	BUSH	

FARMER 309 (186/11501-14600)  
4893



4893

Item	Part Number	Qty	Description Comments	Technical Specification
			<b>66 KW/90 PS &lt;-- 186/13600</b>	
1	72416321	1	CAMSHAFT	
2	72343928	1	SPUR GEAR	
3	72343929	1	SPUR GEAR	
6	72375063	8	LOCK SCREW	FWN 64993 M8X22-12.9
7	72331325	1	PROFILED FLANGE	
8	72343930	1	SEGMENT	
9	72375061	2	LOCK SCREW	W151.12 M8X16-90
12	72332989	2	BUSH REPAIR STEP	
13	72332990	3	BUSH REPAIR STEP	



**Suggest:**

**For more complete manuals. Please go to the home page.**

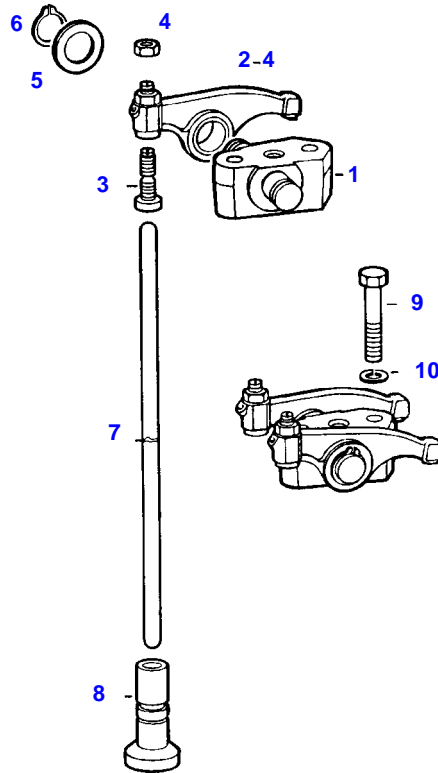
**<https://www.ebooklibonline.com>**

**If the above button click is invalid. Please download this document first, and then click the above link to download the complete manual.**

**Thank you so much for reading**

FARMER 309 (186/11501-14600)  
3121

---



3121

Item	Part Number	Qty	Description Comments	Technical Specification
			63 KW/86 PS 66 KW/90 PS --> 186/13599	
1	72326928	4	ROCKER ARM SUPPORT <>	
2	72326251	8	ROCKER ARM ><2-4	
3	72328652	8	ADJUSTING SCREW	
4	72313268	8	NUT	DIN 934 M8-8A3L
5	72321237	8	DISC	
6	72375559	8	LOCK WASHER	DIN 471-16X1
7	72330785	8	BUMPER	
8	72334866	8	MUSHROOM TAPPET	
9	72315691	8	HEXAGONAL HEAD BOLT	DIN 933 M10X40-8.8A3L
10	72315054	8	SPLIT WASHER	FWN 65208-10-A3L

**<https://www.ebooklibonline.com>**

Hello dear friend!

Thank you very much for reading.

Enter the link into your browser.

The full manual is available for immediate download.

**<https://www.ebooklibonline.com>**