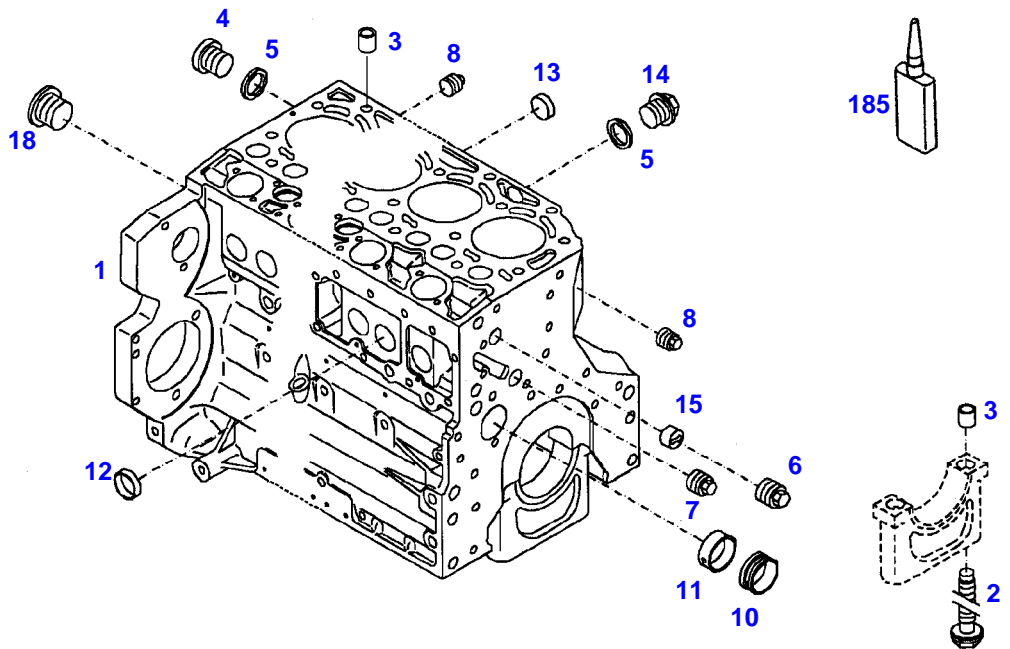


TABLE OF CONTENT

Page Number	Page Title	Page Reference
01-000-TOC	ENGINE, FUEL AND EXHAUST SYSTEM	01-000-TOC
02-000-TOC	AXLES	02-000-TOC
03-000-TOC	STEERING SYSTEM	03-000-TOC
04-000-TOC	DRIVE TRAIN SYSTEM	04-000-TOC
05-000-TOC	COMPRESSED AIR SYSTEM	05-000-TOC
06-000-TOC	HYDRAULIC SYSTEM	06-000-TOC
07-000-TOC	ELECTRICAL SYSTEM	07-000-TOC
08-000-TOC	CAB	08-000-TOC
09-000-TOC	AIR CONDITIONING AND HEATING SYSTEM	09-000-TOC
10-000-TOC	CHASSIS	10-000-TOC
11-000-TOC	WHEELS	11-000-TOC
12-000-TOC	IMPLEMENT LIFT SYSTEM FRONT	12-000-TOC
13-000-TOC	IMPLEMENT LIFT SYSTEM REAR	13-000-TOC
14-000-TOC	FRONT/REAR LOADERS	14-000-TOC
15-000-TOC	ACCESSORIES	15-000-TOC

FARMER 309 (119/00201-01000 & 05001-99999)
34194



034-194

Item	Part Number	Qty	Description Comments	Technical Specification
			ENGINE NUMBER --> 860089	
	72422073	1	ENGINE ENGINE NEW <-- 119/0201 --> 119/0300 <-- Z119.200.010.010 ENGINE EXCHANGE	BF04M1012EC
	72424926	1	ENGINE ENGINE NEW <-- 119/5001 <-- Z119.200.010.020 ENGINE EXCHANGE	BF04M1012EC
1	72432952	1	CRANKCASE ><2-8,10-15,18	
2	72416467	10	HEXAGONAL HEAD BOLT	
3	72344342	10	ADAPTER BUSH	
4	72315438	1	PLUG SCREW	DIN 908 M14X1,5-ST
5	72315095	3	SEALING WASHER	DIN 7603 A14X20-CU
6	72325319	1	PLUG M30X1,5	
7	72325321	1	PLUG	
8	72325322	2	PLUG M14X1,5 ENG.NO. --> 780289	
	72429347	2	SCREW M14X1,5 ENG.NO. <-- 780290	M14X1,5
10	72416469	4	BEARING BUSHING	
11	72416470	1	BEARING BUSHING	
12	72325325	6	CORE HOLE PLUG	
13	72325326	4	CORE HOLE PLUG	
14	72315799	2	PLUG	DIN 7604 AM14X1,5-A3L
15	72325327	1	GUIDE SLEEVE	
18	72416465	1	PLUG ENG.NO. --> 780289	
	72431135	1	LOCKING PLUG M22X1,5 ENG.NO. <-- 780290	
185	72325403	1	SAFE.LOCK AGENT	

<https://www.ebooklibonline.com>

Hello dear friend!

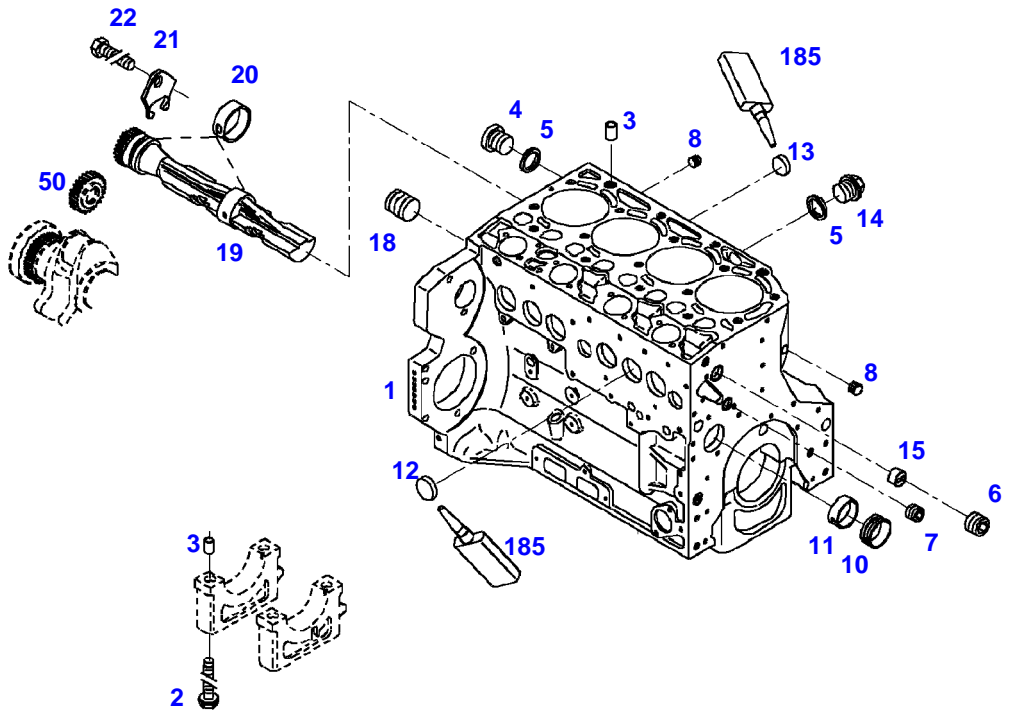
Thank you very much for reading.

Enter the link into your browser.

The full manual is available for immediate download.

<https://www.ebooklibonline.com>

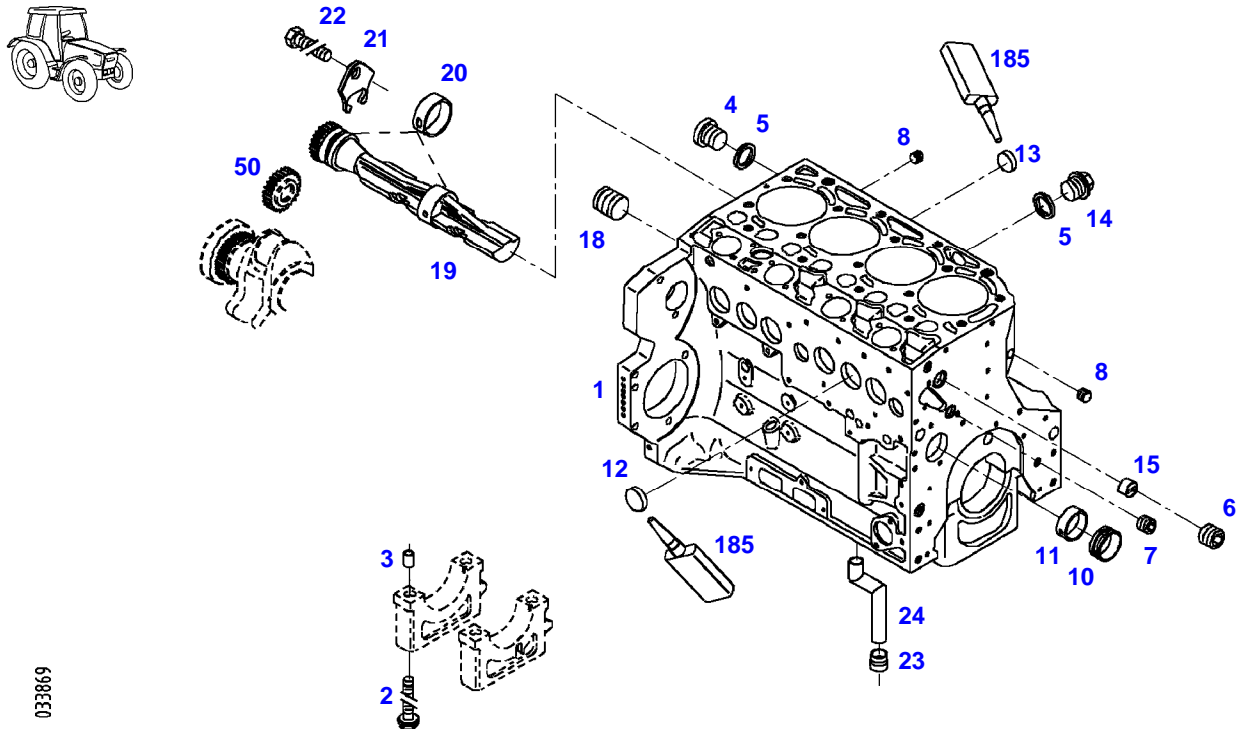
FARMER 309 (119/00201-01000 & 05001-99999)
34195



034195

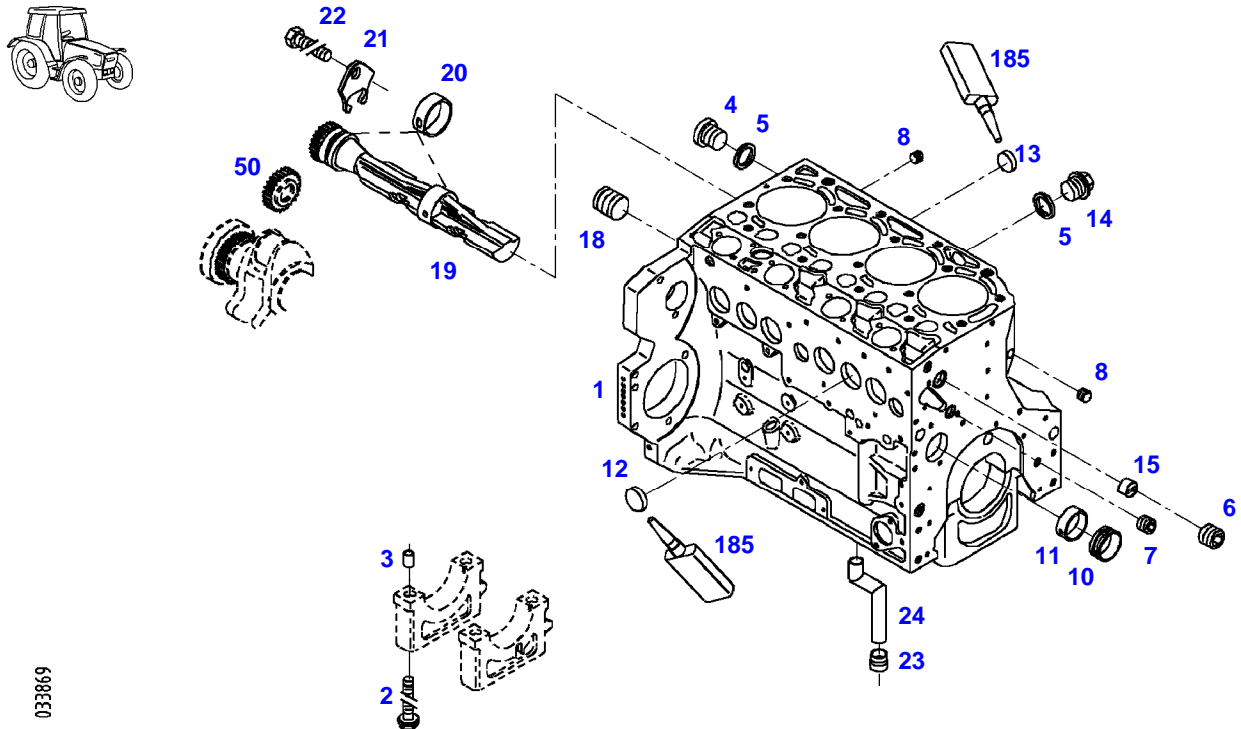
Item	Part Number	Qty	Description Comments	Technical Specification
			ENGINE NUMBER <-- 860090 --> 119/8000	
	72424926	1	ENGINE ENGINE NEW <-- Z119.200.010.020 ENGINE EXCHANGE	BF04M1012EC
1	72420749	1	CRANKCASE ><2-15,18	
2	72416467	10	HEXAGONAL HEAD BOLT	
3	72344342	10	ADAPTER BUSH	
4	72315438	1	PLUG SCREW	DIN 908 M14X1,5-ST
5	72315095	3	SEALING WASHER	DIN 7603 A14X20-CU
6	72325319	1	PLUG 30X1,5	
7	72325321	1	PLUG 22X1,5	
8	72429347	2	SCREW 14X1,5	M14X1,5
10	72416469	4	BEARING BUSHING	
11	72416470	1	BEARING BUSHING	
12	72325325	6	CORE HOLE PLUG	
13	72325326	4	CORE HOLE PLUG	
14	72315799	2	PLUG	DIN 7604 AM14X1,5-A3L
15	72325327	1	GUIDE SLEEVE	
18	72431135	1	LOCKING PLUG M22X1,5	
19	72325338	2	GANG SHAFT	
20	72325339	4	BUSH	
21	72415943	2	THRUST WASHER	
22	72423137	2	HEXAGONAL HEAD BOLT M8X16	
50			SEE BALANCER GEARS	
185	72325403	1	SAFE.LOCK AGENT	

FARMER 309 (119/00201-01000 & 05001-99999)
33869

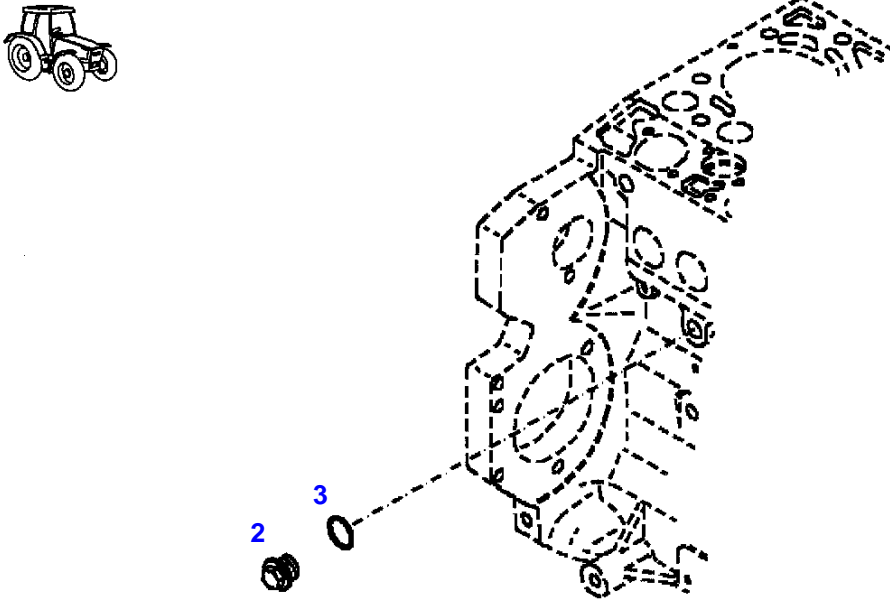


Item	Part Number	Qty	Description Comments	Technical Specification
			<-- 119/0301 --> 119/0400 <-- 119/8001 ENGINE NUMBER --> 1063316	
	72420738	1	ENGINE ENGINE NEW <-- Z119.202.010.010 ENGINE EXCHANGE	BF04M2012C
	72604524	1	REMANUFACTURED SHORT BLOCK ENGINE	
1	72435954	1	CRANKCASE ><2-15,18,19-24	
2	72416467	10	HEXAGONAL HEAD BOLT	
3	72344342	10	ADAPTER BUSH	
4	72315438	1	PLUG SCREW	DIN 908 M14X1,5-ST
5	72315095	3	SEALING WASHER	DIN 7603 A14X20-CU
6	72325319	1	PLUG 30X1,5	
7	72325321	1	PLUG 22X1,5	
8	72429347	2	SCREW 14X1,5	M14X1,5
10	72416469	4	BEARING BUSHING	
11	72416470	1	BEARING BUSHING	
12	72325325	6	CORE HOLE PLUG	
13	72325326	4	CORE HOLE PLUG	
14	72315799	2	PLUG	DIN 7604 AM14X1,5-A3L
15	72325327	1	GUIDE SLEEVE	
18	72431135	1	LOCKING PLUG M22X1,5	
19	72429813	2	GANG SHAFT	
20	72325339	4	BUSH	
21	72415943	2	THRUST WASHER	
22	72423137	2	HEXAGONAL HEAD BOLT M8X16	
23	72420773	1	LOCKING PART	
24	72420774	1	LINE	
50				
185	72325403	1	SEE BALANCER GEARS SAFE.LOCK AGENT	

FARMER 309 (119/00201-01000 & 05001-99999)
33869



Item	Part Number	Qty	Description Comments	Technical Specification
			ENGINE NUMBER <-- 1063317	
	72420738	1	ENGINE ENGINE NEW <-- Z119.202.010.010 ENGINE EXCHANGE	BF04M2012C
	72604524	1	REMANUFACTURED SHORT BLOCK ENGINE	
1	72609289	1	CRANKCASE ><2-15,18-24	
2	72416467	10	HEXAGONAL HEAD BOLT	
3	72344342	10	ADAPTER BUSH	
4	72315438	1	PLUG SCREW	DIN 908 M14X1,5-ST
5	72315095	3	SEALING WASHER	DIN 7603 A14X20-CU
6	72325319	1	PLUG 30X1,5	
7	72325321	1	PLUG 22X1,5	
8	72429347	2	SCREW 14X1,5	M14X1,5
10	72416469	4	BEARING BUSHING	
11	72416470	1	BEARING BUSHING	
12	72325325	6	CORE HOLE PLUG	
13	72325326	4	CORE HOLE PLUG	
14	72315799	2	PLUG	DIN 7604 AM14X1,5-A3L
15	72325327	1	GUIDE SLEEVE	
18	72431135	1	LOCKING PLUG	
19	72429813	2	GANG SHAFT	
20	72325339	4	BUSH	
21	72415943	2	THRUST WASHER	
22	72423137	2	HEXAGONAL HEAD BOLT M8X16	
23	72420773	1	LOCKING PART	
24	72420774	1	LINE	
50			SEE BALANCER GEARS	
185	72325403	1	SAFE.LOCK AGENT	



6191E0

Fendt

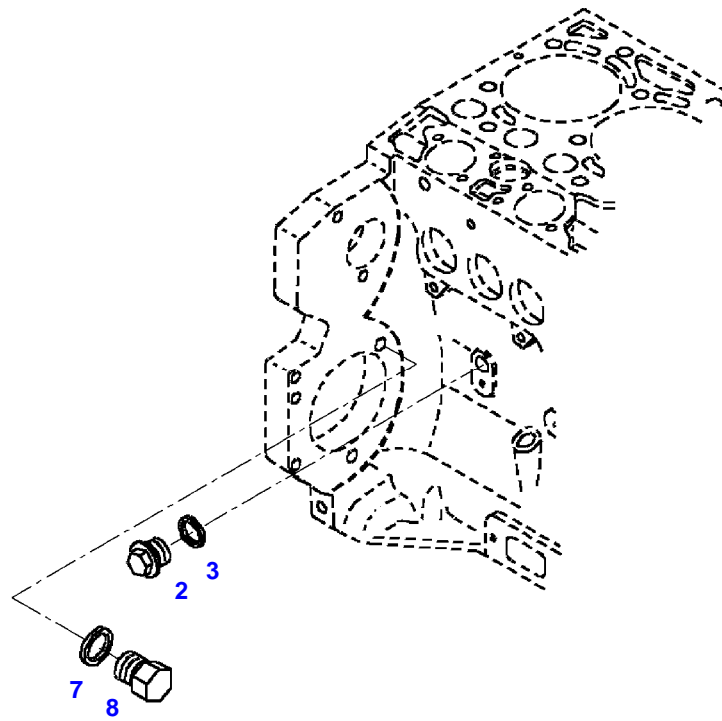
FARMER 309 (119/00201-01000 & 05001-99999)

F119001

CRANKCASE

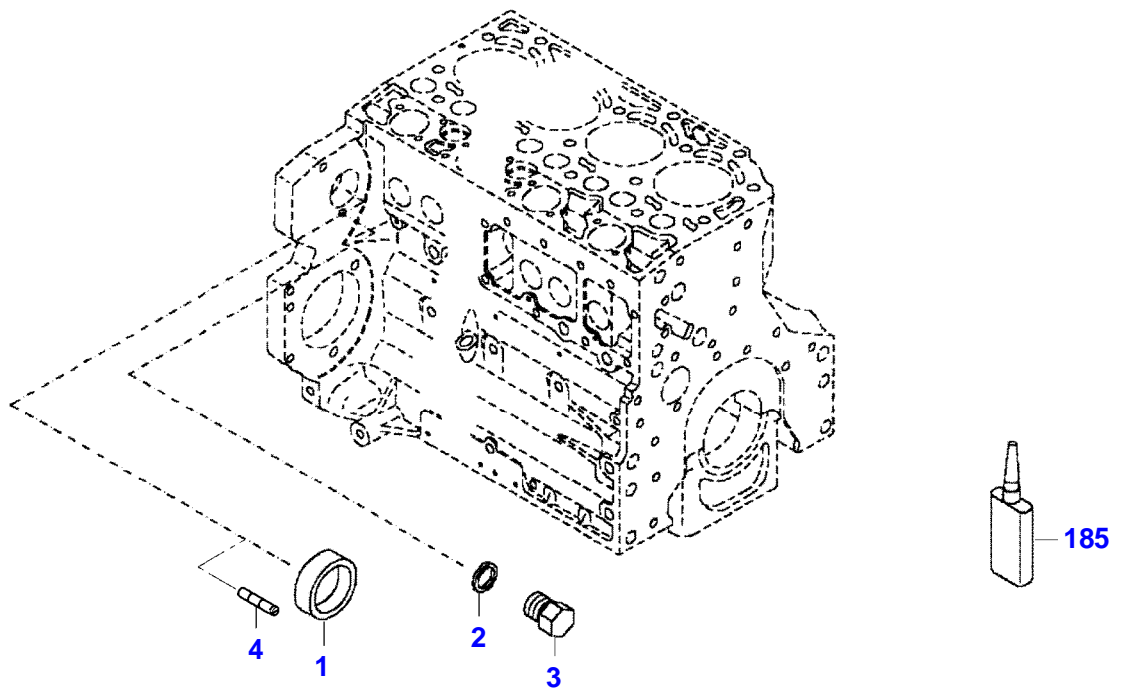
Page01-0006

Item	Part Number	Qty	Description Comments	Technical Specification
BLANKING PARTS				
2	72315799	1	PLUG NOT NEEDED WITH AIR BRAKE	DIN 7604 AM14X1,5-A3L
3	72315094	1	SEALING WASHER NOT NEEDED WITH AIR BRAKE	DIN 7603 A14X18-CU

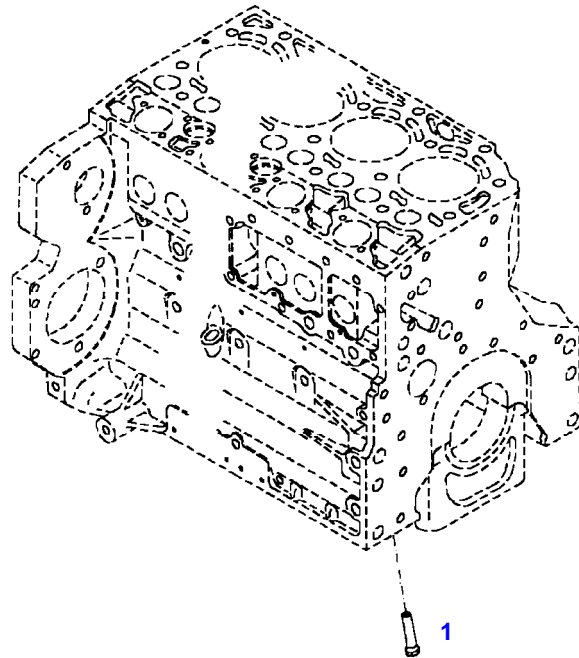


033868

Item	Part Number	Qty	Description Comments	Technical Specification
			BLANKING PARTS <-- 119/0301 --> 119/0400 <-- 119/8001	
2	72315799	1	PLUG NOT NEEDED WITH AIR BRAKE	DIN 7604 AM14X1,5-A3L
3	72315094	1	SEALING WASHER NOT NEEDED WITH AIR BRAKE	DIN 7603 A14X18-CU
7	72315088	1	SEALING WASHER	DIN 7603 A10X13,5-CU
8	72323677	1	PLUG	



Item	Part Number	Qty	Description Comments	Technical Specification
BLANKING PARTS				
1	72627515	1	CORE HOLE PLUG	
2	72315088	2	SEALING WASHER	DIN 7603 A10X13,5-CU
3	72323677	2	PLUG	
4	72631860	2	SLUG	
185	72325403	1	SAFE.LOCK AGENT	



030004

Fendt

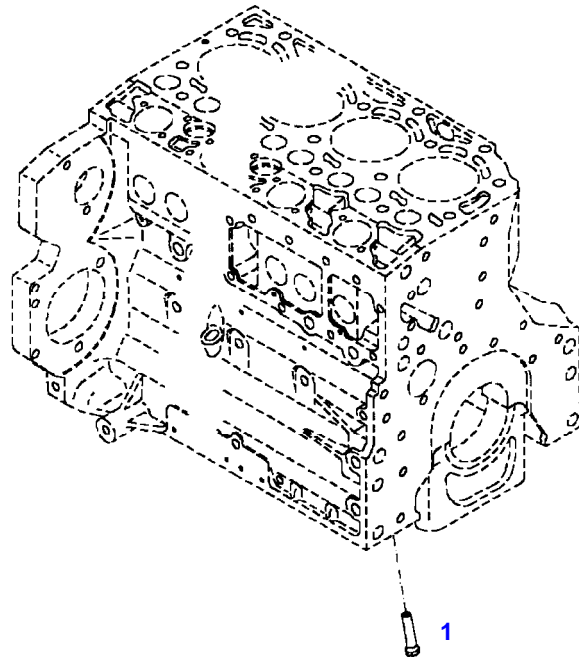
FARMER 309 (119/00201-01000 & 05001-99999)

F119001

CRANKCASE

Page01-0009

Item	Part Number	Qty	Description Comments
			PISTON COOL.NOZZLE <-- 119/0201 --> 119/0300 <-- 119/5001 --> 119/8000
1	72325334	1	PISTON COOLING JET



030004

Fendt

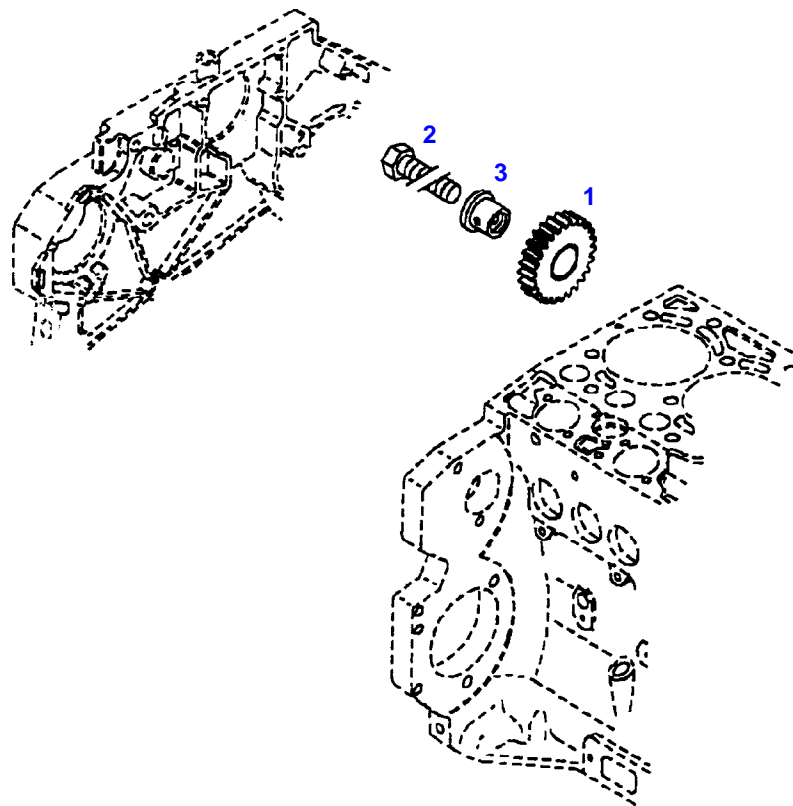
FARMER 309 (119/00201-01000 & 05001-99999)

F119001

CRANKCASE

Page01-0010

Item	Part Number	Qty	Description Comments
			PISTON COOL.NOZZLE <-- 119/0301 --> 119/0400 <-- 119/8001
1	72415140	4	PISTON COOLING JET



12057

Fendt

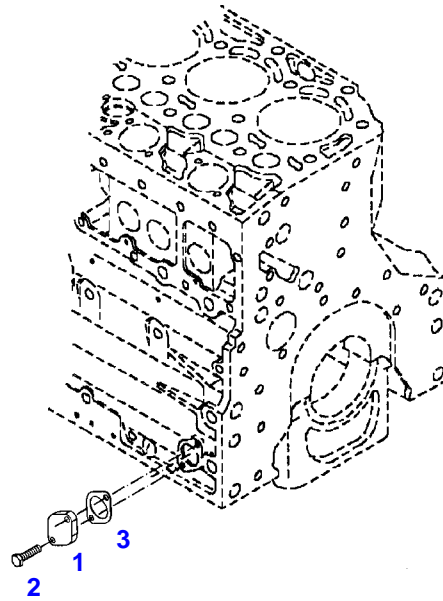
FARMER 309 (119/00201-01000 & 05001-99999)

F119001

CRANKCASE

Page01-0011

Item	Part Number	Qty	Description Comments	Technical Specification
			INTERM. GEAR WHEEL	
1	72325335	1	GEAR WHEEL	
2	72315658	1	HEXAGONAL HEAD BOLT	DIN 933 M8X35-10.9
3	72325336	1	PIVOT	



96810

Fendt

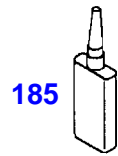
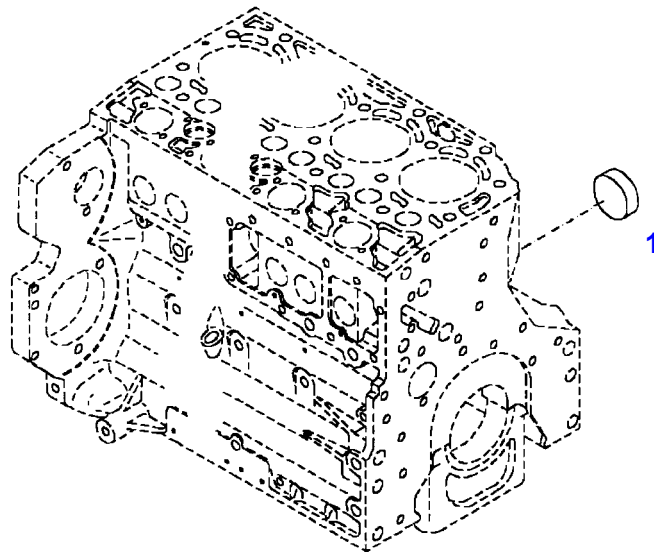
FARMER 309 (119/00201-01000 & 05001-99999)

F119001

CRANKCASE

Page01-0012

Item	Part Number	Qty	Description Comments	Technical Specification
BLANKING PARTS				
1	72326910	1	COVER NOT NEEDED WITH AIR BRAKE	
2	72415315	2	HEXAGONAL HEAD BOLT NOT NEEDED WITH AIR BRAKE	M8X20
3	72325401	1	SEAL	



030097

Fendt

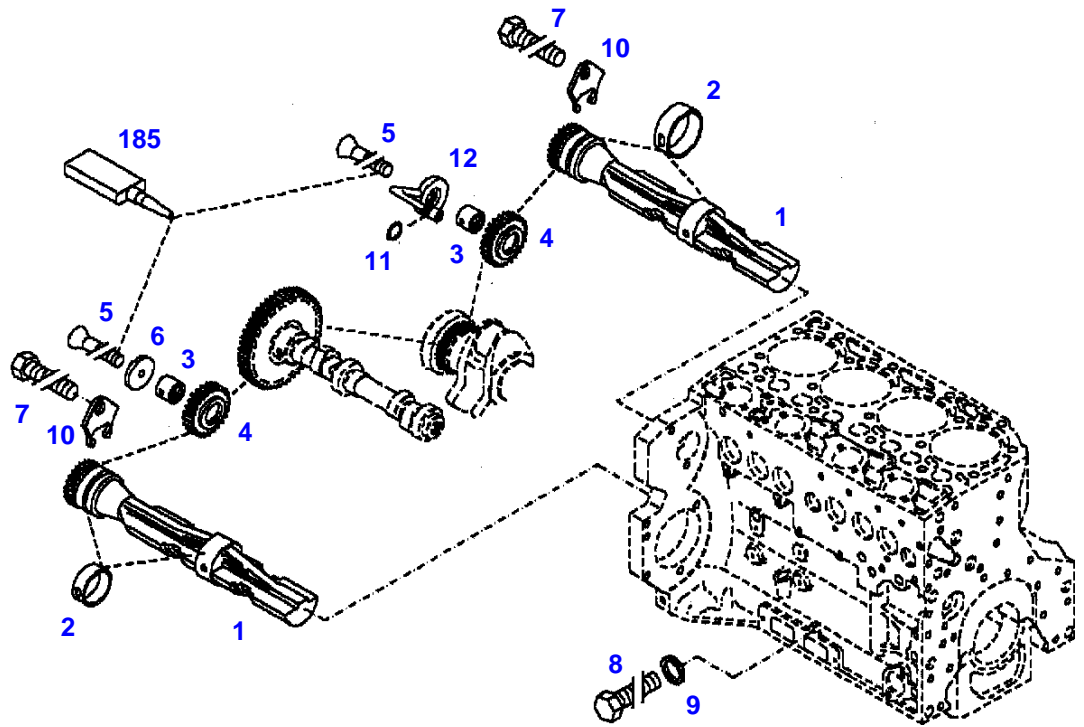
FARMER 309 (119/00201-01000 & 05001-99999)

F119001

CRANKCASE

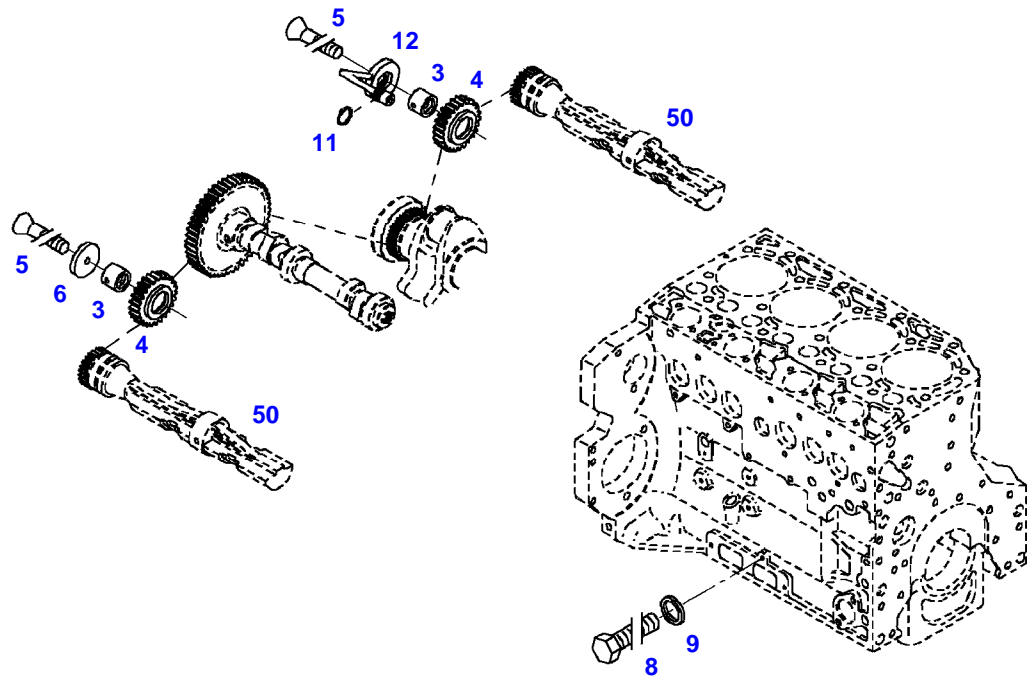
Page01-0013

Item	Part Number	Qty	Description Comments
			LOCKING PLUG
1	72325337	1	CORE HOLE PLUG
185	72325403	1	SAFE.LOCK AGENT



031426

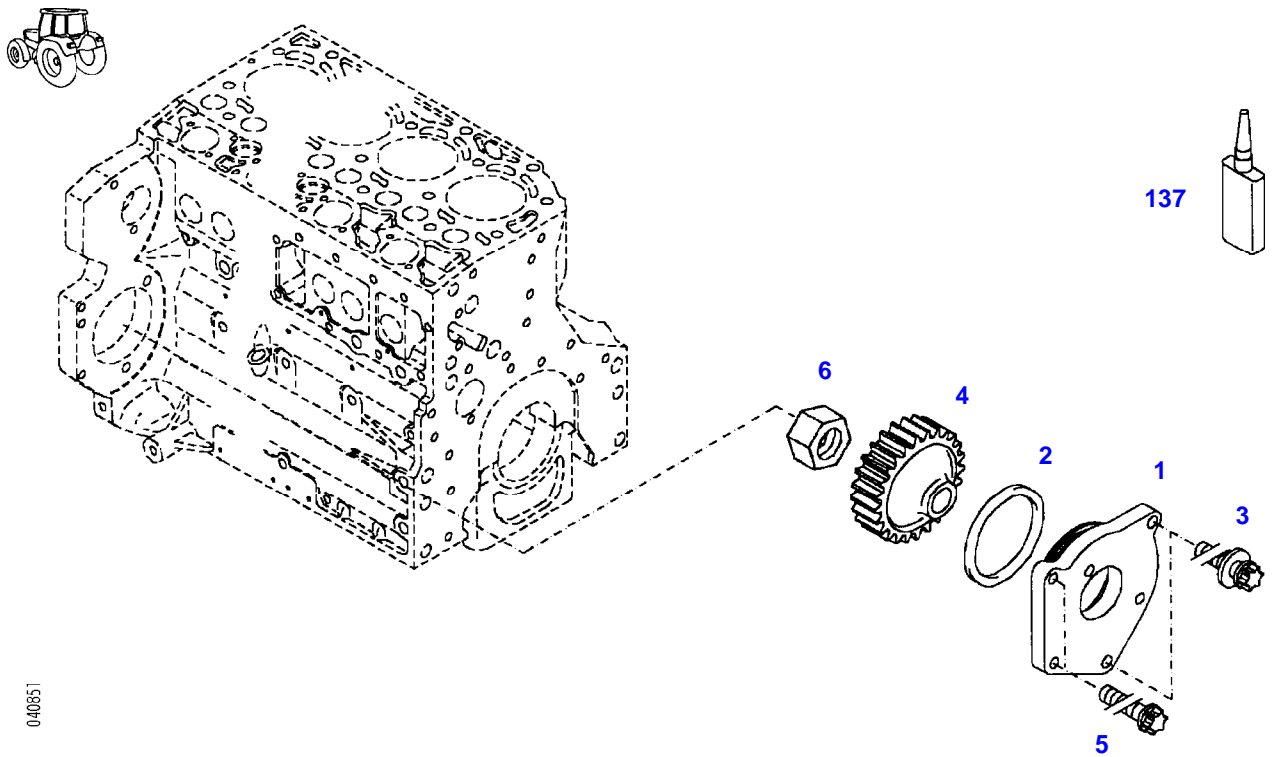
Item	Part Number	Qty	Description Comments	Technical Specification
			ENGINE NUMBER --> 860089	
1	72325338	2	GANG SHAFT	
2	72325339	4	BUSH	
3	72415940	2	PIVOT	
4	72415941	2	GEAR WHEEL	
5	72423136	2	COUNTERSUNK CAPSCREW M8X45	
6	72415942	2	FIXING SHIM	
7	72423137	2	HEXAGONAL HEAD BOLT M8X16	
8	72315643	2	HEXAGONAL HEAD BOLT	DIN 933 M8X10-8.8
9	72315086	2	SEALING WASHER	DIN 7603 A8X11,5-CU
10	72415943	2	THRUST WASHER	
11	72423138	1	SEAL 7X1,5MM	
12	72415945	1	PIVOT	
185	72381391	1	THREADLOCKER	LOCTITE 243 10ML



033867

Item	Part Number	Qty	Description Comments	Technical Specification
			ENGINE NUMBER <-- 860090	
3	72415940	2	PIVOT	
4	72415941	2	GEAR WHEEL	
5	72423136	2	COUNTERSUNK CAPSCREW M8X45	
6	72415942	1	FIXING SHIM	
8	72315644	2	HEXAGONAL HEAD BOLT	DIN 933 M8X10-8.8A3L
9	72315087	2	SEALING WASHER	DIN 7603 A8X14-CU
11	72423138	1	SEAL 7X1,5MM	
12	72415945	1	PIVOT	
50			SEE CRANKCASE	

FARMER 309 (119/00201-01000 & 05001-99999)
40851



Fendt

FARMER 309 (119/00201-01000 & 05001-99999)

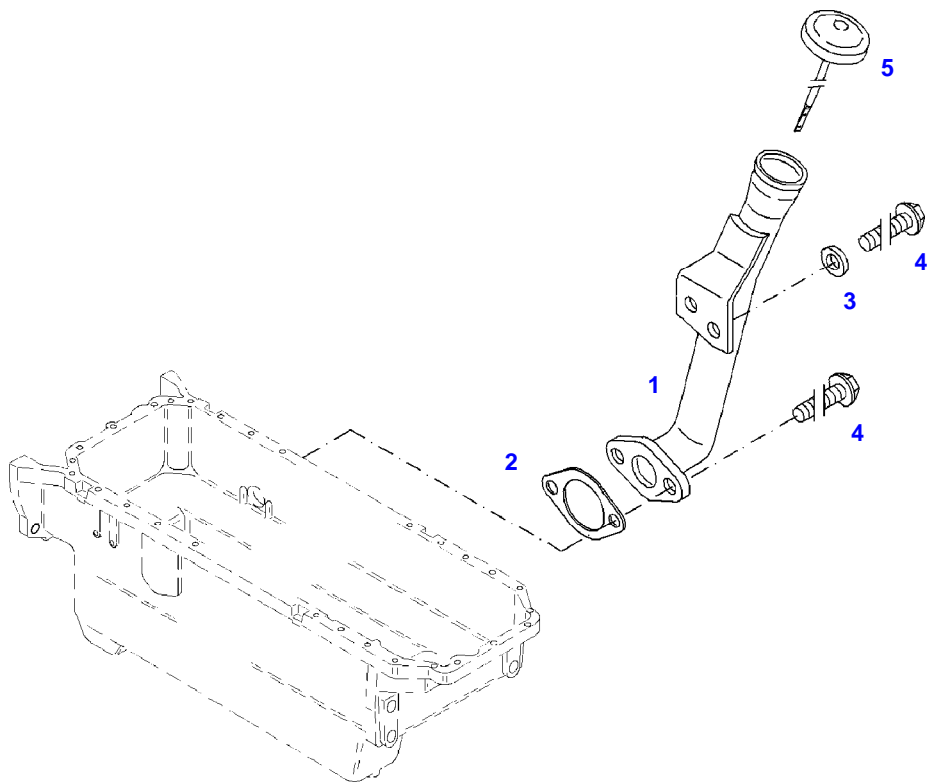
F119001

PUMP DRIVE

Page01-0016

Item	Part Number	Qty	Description Comments
1	72601858	1	INTERMEDIATE FLANGE
2	72325343	1	SEAL 95X3,55MM
3	72325344	2	TORX SCREW M8X30
4	72325345	1	GEAR WHEEL
5	72325346	2	TORX SCREW M10X30
6	72323713	1	NUT
137	72325407	1	SAFE.LOCK AGENT

FARMER 309 (119/00201-01000 & 05001-99999)
41019



041019

Fendt

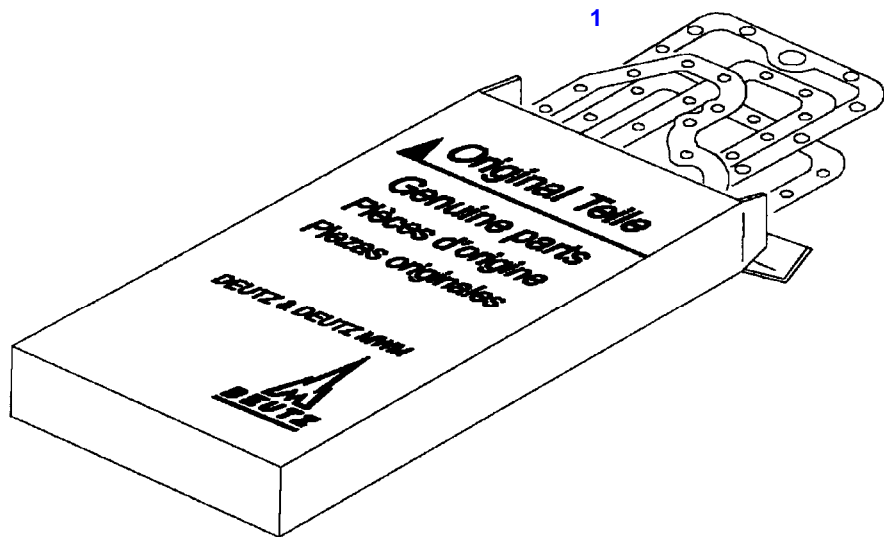
FARMER 309 (119/00201-01000 & 05001-99999)

F119001

OIL FILLER

Page01-0017

Item	Part Number	Qty	Description Comments	Technical Specification
1	72325400	1	OIL FILLER NECK	
2	72325401	1	SEAL	
3	72325402	1	DISC	
4	72415315	3	HEXAGONAL HEAD BOLT	M8X20
			M8X20	
5	72325412	1	FILLER LOCK	



030100

Fendt

FARMER 309 (119/00201-01000 & 05001-99999)

F119001

SET OF GASKETS

Page01-0018

Item	Part Number	Qty	Description Comments
			ENGINE <-- 119/0201 --> 119/0300 <-- 119/5001 --> 119/8000
1	72325347	1	SEAL KIT WITHOUT CYLINDER HEAD GASKET



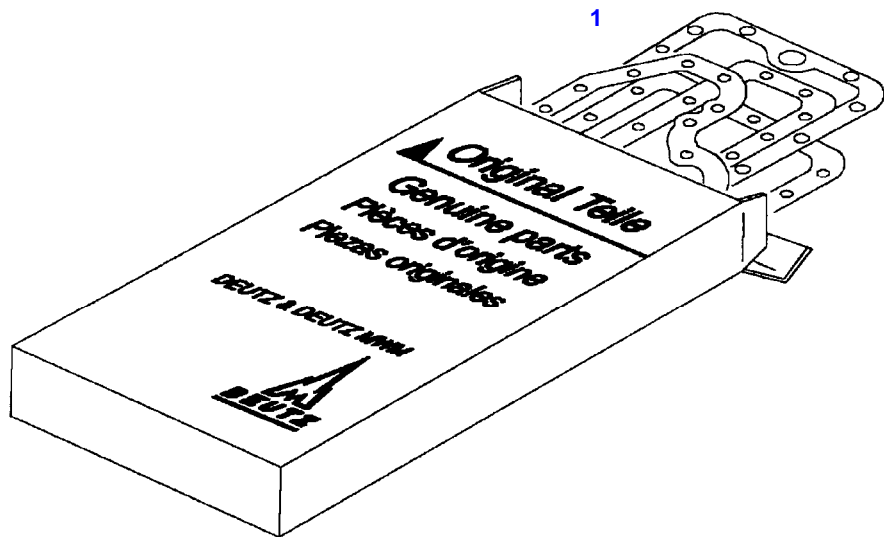
Suggest:

For more complete manuals. Please go to the home page.

<https://www.ebooklibonline.com>

If the above button click is invalid. Please download this document first, and then click the above link to download the complete manual.

Thank you so much for reading



030100

Fendt

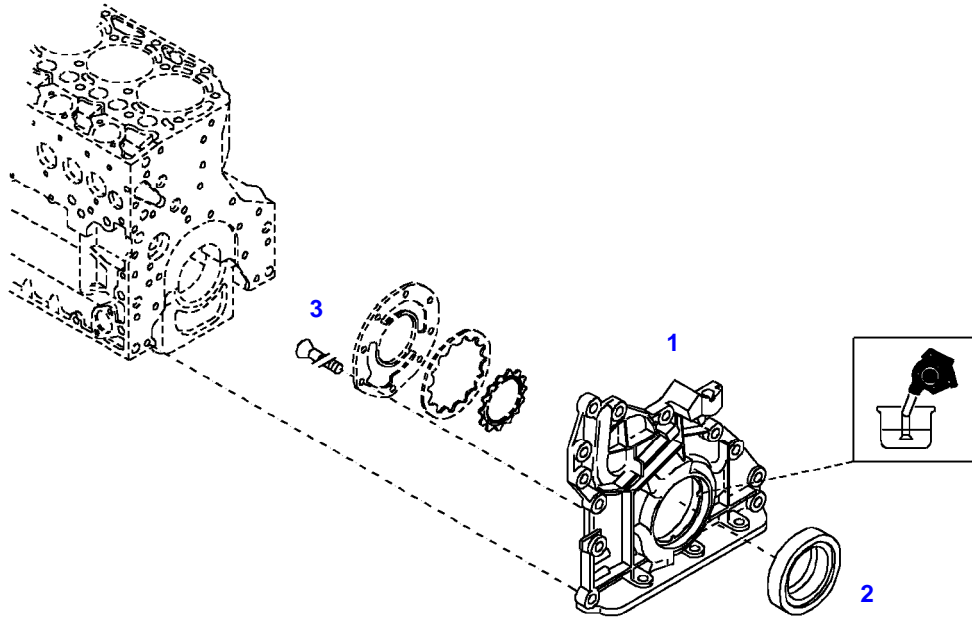
FARMER 309 (119/00201-01000 & 05001-99999)

F119001

SET OF GASKETS

Page01-0019

Item	Part Number	Qty	Description Comments
			ENGINE <-- 119/0301 --> 119/0400 <-- 119/8001
1	72487653	1	SEAL KIT WITHOUT CYLINDER HEAD GASKET



040475

<https://www.ebooklibonline.com>

Hello dear friend!

Thank you very much for reading.

Enter the link into your browser.

The full manual is available for immediate download.

<https://www.ebooklibonline.com>