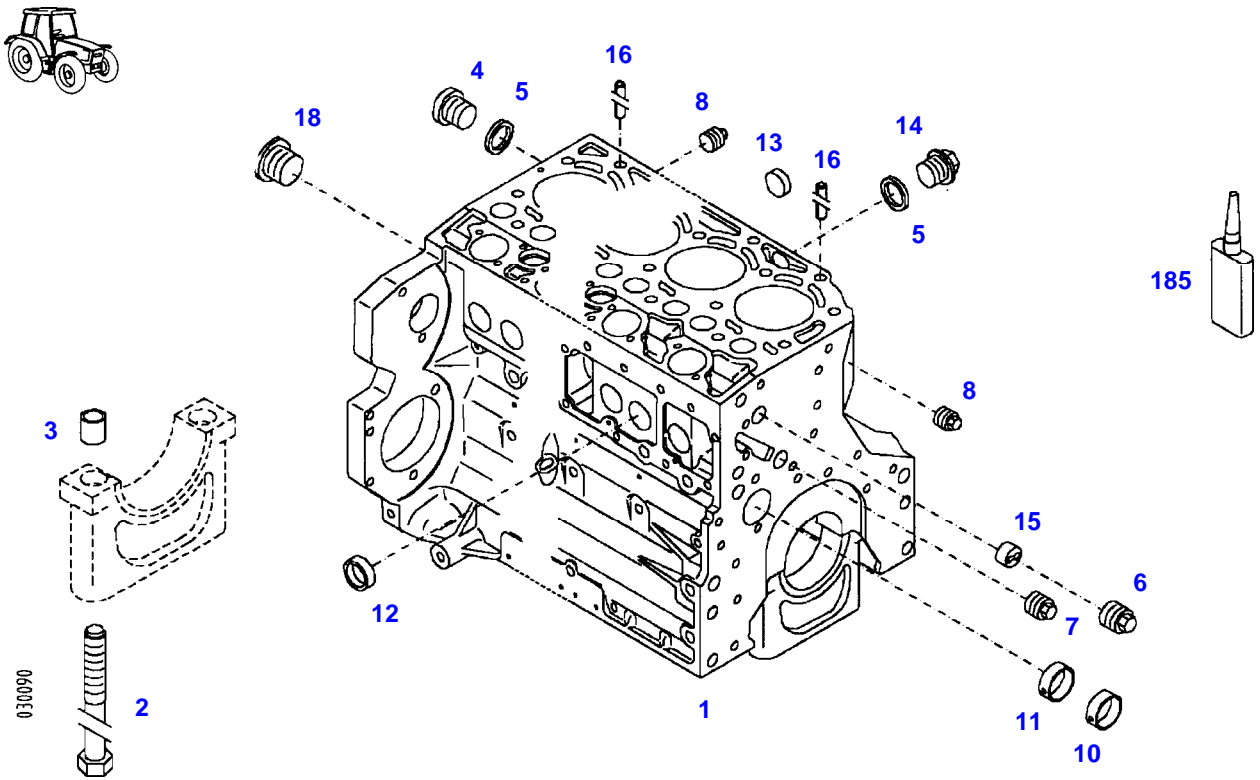


**TABLE OF CONTENT**

<b>Page Number</b>	<b>Page Title</b>	<b>Page Reference</b>
01-000-TOC	ENGINE, FUEL AND EXHAUST SYSTEM	01-000-TOC
02-000-TOC	AXLES	02-000-TOC
03-000-TOC	STEERING SYSTEM	03-000-TOC
04-000-TOC	DRIVE TRAIN SYSTEM	04-000-TOC
05-000-TOC	COMPRESSED AIR SYSTEM	05-000-TOC
06-000-TOC	HYDRAULIC SYSTEM	06-000-TOC
07-000-TOC	ELECTRICAL SYSTEM	07-000-TOC
08-000-TOC	CAB	08-000-TOC
09-000-TOC	AIR CONDITIONING AND HEATING SYSTEM	09-000-TOC
10-000-TOC	CHASSIS	10-000-TOC
11-000-TOC	WHEELS	11-000-TOC
12-000-TOC	IMPLEMENT LIFT SYSTEM FRONT	12-000-TOC
13-000-TOC	IMPLEMENT LIFT SYSTEM REAR	13-000-TOC
14-000-TOC	FRONT/REAR LOADERS	14-000-TOC
15-000-TOC	ACCESSORIES	15-000-TOC

FARMER 309 (119/00101-00200 & 01001-05000)  
30090



Item	Part Number	Qty	Description Comments	Technical Specification
			<b>ENGINE NUMBER</b> --> 284413	
	72422073	1	ENGINE ENGINE NEW <-- Z119.200.010.010 ENGINE EXCHANGE	BF04M1012EC
1	72325320	1	CRANKCASE ><2-8,10-16,18 <-- F119200211150 <>	
	72415953	1	CAMSHAFT	
	72415954	8	TAPPET	
	72420784	2	BUSH	
	72415941	2	GEAR WHEEL	
	72415940	2	PIVOT	
	72415942	2	FIXING SHIM	
	72423136	2	COUNTERSUNK CAPSCREW	
	72415943	2	THRUST WASHER	
	72423137	2	HEXAGONAL HEAD BOLT	
	72415945	2	PIVOT	
	72423138	1	SEAL	
2	72344343	10	HEXAGONAL HEAD BOLT	
3	72344342	10	ADAPTER BUSH	
4	72315438	1	PLUG SCREW	DIN 908 M14X1,5-ST
5	72315095	3	SEALING WASHER	DIN 7603 A14X20-CU
6	72325319	1	PLUG M30X1,5	
7	72325321	1	PLUG M22X1,5	
8	72325322	2	PLUG M14X1,5	
10	72325323	4	BEARING BUSHING	
11	72325324	1	BEARING BUSHING	
12	72325325	6	CORE HOLE PLUG	
13	72325326	4	CORE HOLE PLUG	
14	72315799	2	PLUG	DIN 7604 AM14X1,5-A3L
15	72325327	1	GUIDE SLEEVE	
16	72325328	2	TENSIONER BUSHING	
18	72325329	1	SLOTTED PLUG	
185	72325403	1	SAFE.LOCK AGENT	

**<https://www.ebooklibonline.com>**

Hello dear friend!

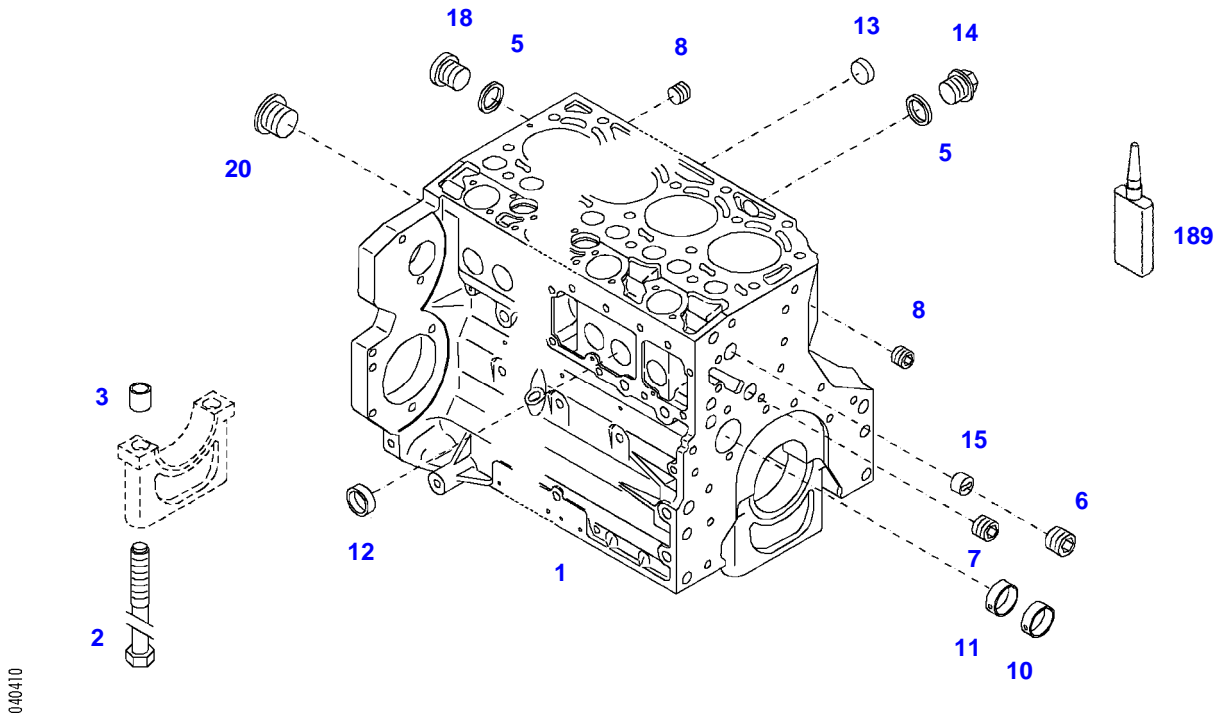
Thank you very much for reading.

Enter the link into your browser.

The full manual is available for immediate download.

**<https://www.ebooklibonline.com>**

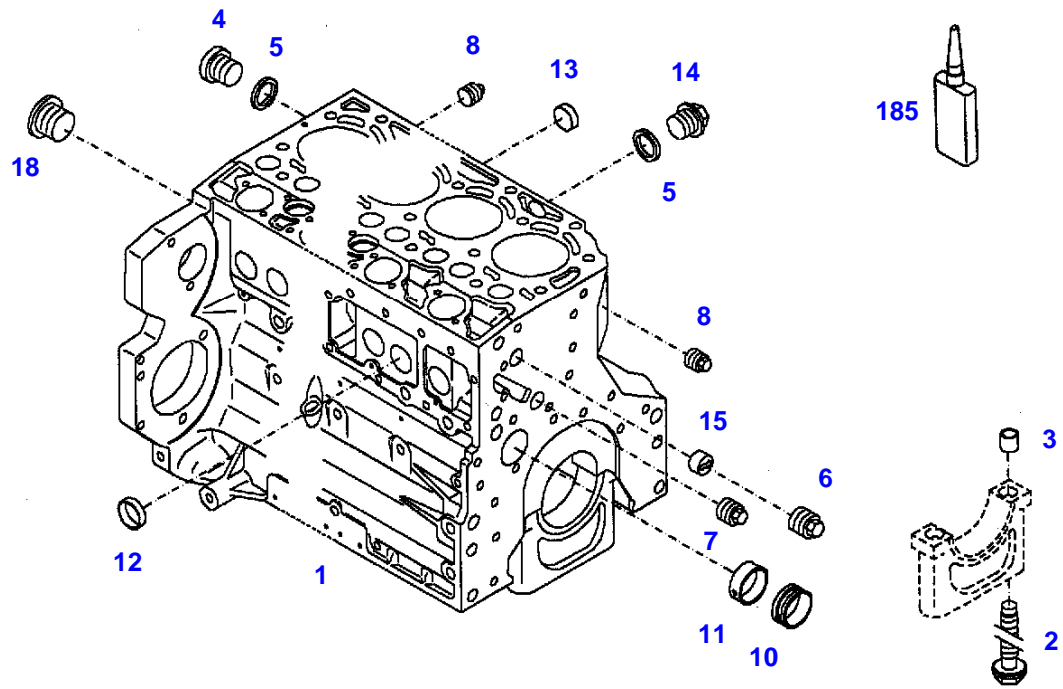
FARMER 309 (119/00101-00200 & 01001-05000)  
40410



040410

Item	Part Number	Qty	Description Comments	Technical Specification
			ENGINE NUMBER <-- 284414 --> 288171	
	72422073	1	ENGINE ENGINE NEW <-- Z119.200.010.010 ENGINE EXCHANGE	BF04M1012EC
1	72420748	1	CRANKCASE ><2-20 <-- F119.200.211.030 1X	
2	72344343	10	HEXAGONAL HEAD BOLT	
3	72344342	10	ADAPTER BUSH	
5	72315095	3	SEALING WASHER	DIN 7603 A14X20-CU
6	72325319	1	PLUG M30X1,5	
7	72325321	1	PLUG M22X1,5	
8	72325322	2	PLUG M14X1,5	
10	72325323	4	BEARING BUSHING	
11	72325324	1	BEARING BUSHING	
12	72325325	6	CORE HOLE PLUG	
13	72325326	4	CORE HOLE PLUG	
14	72315799	2	PLUG	DIN 7604 AM14X1,5-A3L
15	72325327	1	GUIDE SLEEVE	
18	72315438	1	PLUG SCREW	DIN 908 M14X1,5-ST
20	72325329	1	SLOTTED PLUG	
189	72381391	1	THREADLOCKER	LOCTITE 243 10ML

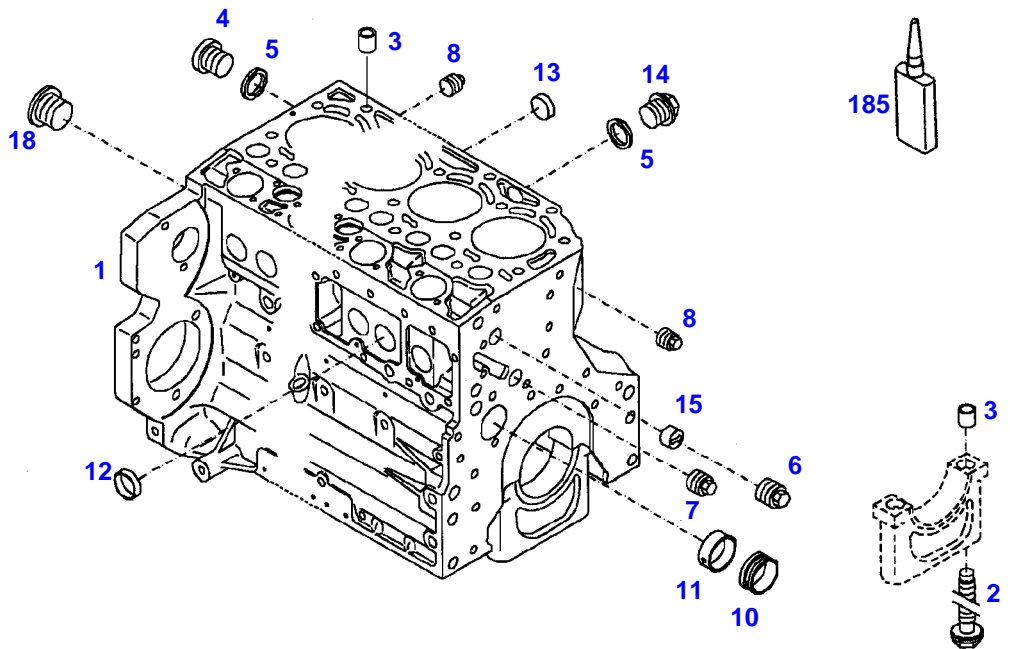
FARMER 309 (119/00101-00200 & 01001-05000)  
40094



040094

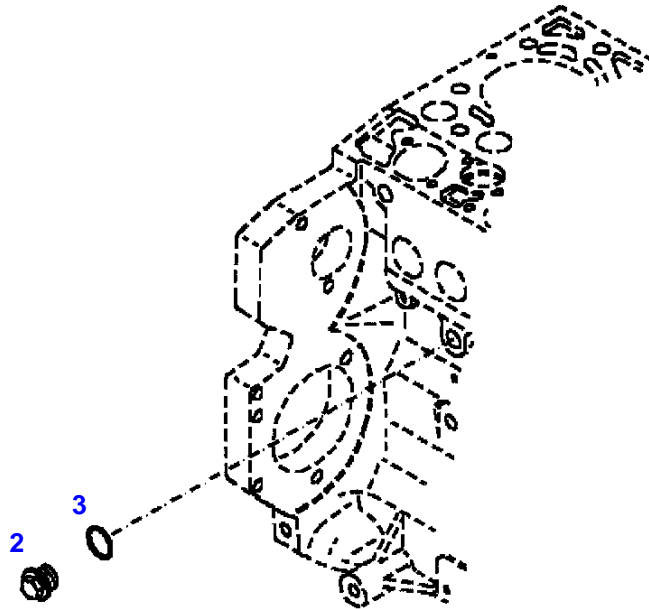
Item	Part Number	Qty	Description Comments	Technical Specification
			ENGINE NUMBER <-- 288172 --> 360264	
	72422073	1	ENGINE ENGINE NEW <-- Z119.200.010.010 ENGINE EXCHANGE	BF04M1012EC
1	72415946	1	CRANKCASE ><2-8,10-15,18	
2	72416467	10	HEXAGONAL HEAD BOLT	
3	72344342	10	ADAPTER BUSH	
4	72315438	1	PLUG SCREW	DIN 908 M14X1,5-ST
5	72315095	3	SEALING WASHER	DIN 7603 A14X20-CU
6	72325319	1	PLUG M30X1,5	
7	72325321	1	PLUG M22X1,5	
8	72325322	2	PLUG M14X1,5	
10	72416469	4	BEARING BUSHING	
11	72416470	1	BEARING BUSHING	
12	72325325	6	CORE HOLE PLUG	
13	72325326	4	CORE HOLE PLUG	
14	72315799	2	PLUG	DIN 7604 AM14X1,5-A3L
15	72325327	1	GUIDE SLEEVE	
18	72325329	1	SLOTTED PLUG	
185	72325403	1	SAFE.LOCK AGENT	

FARMER 309 (119/00101-00200 & 01001-05000)  
34194



034-194

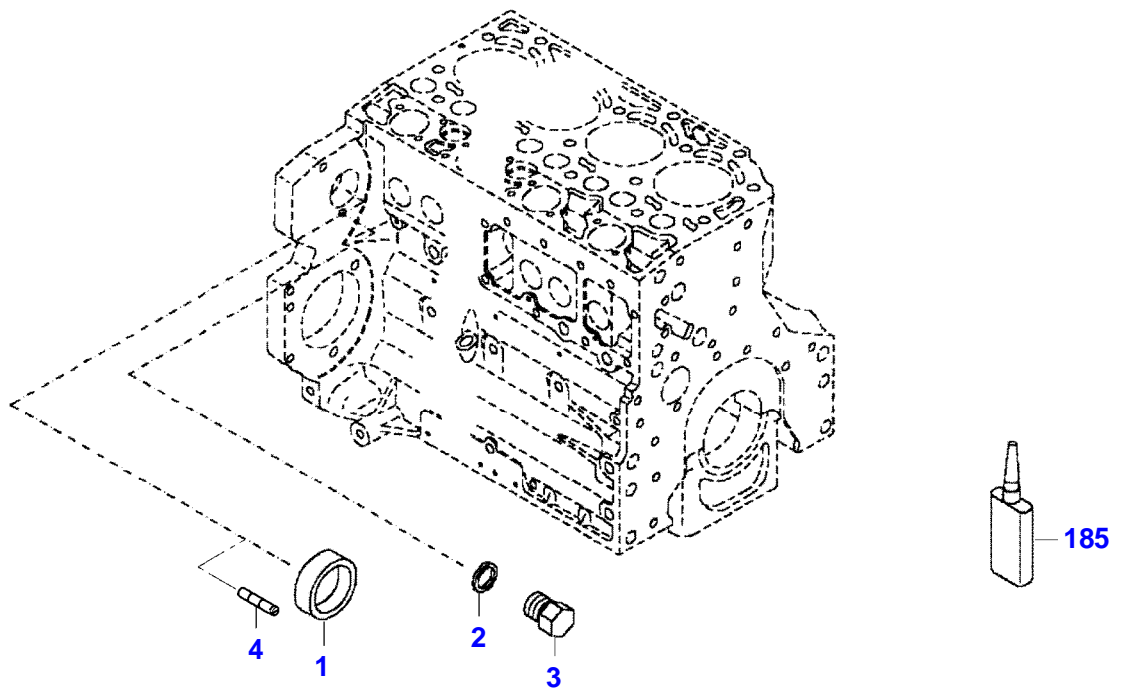
Item	Part Number	Qty	Description Comments	Technical Specification
			<b>ENGINE NUMBER</b> <-- 360265	
	72422073	1	ENGINE ENGINE NEW <-- Z119.200.010.010 ENGINE EXCHANGE	BF04M1012EC
1	72432952	1	CRANKCASE ><2-8,10-15,18	
2	72416467	10	HEXAGONAL HEAD BOLT	
3	72344342	10	ADAPTER BUSH	
4	72315438	1	PLUG SCREW	DIN 908 M14X1,5-ST
5	72315095	3	SEALING WASHER	DIN 7603 A14X20-CU
6	72325319	1	PLUG M30X1,5	
7	72325321	1	PLUG	
8	72325322	2	PLUG M14X1,5 ENG.NO. --> 780289	
	72429347	2	SCREW M14X1,5 ENG.NO. <-- 780290	M14X1,5
10	72416469	4	BEARING BUSHING	
11	72416470	1	BEARING BUSHING	
12	72325325	6	CORE HOLE PLUG	
13	72325326	4	CORE HOLE PLUG	
14	72315799	2	PLUG	DIN 7604 AM14X1,5-A3L
15	72325327	1	GUIDE SLEEVE	
18	72416465	1	PLUG ENG.NO. --> 780289	
	72431135	1	LOCKING PLUG M22X1,5 ENG.NO. <-- 780290	
185	72325403	1	SAFE.LOCK AGENT	



6191E0

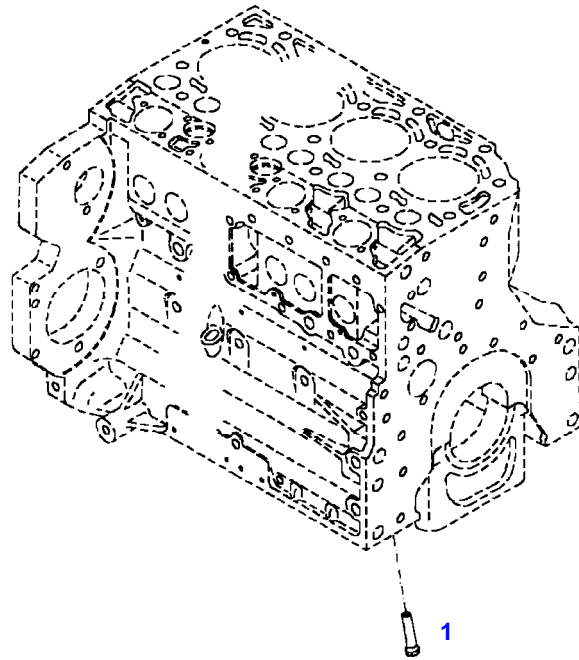
Item	Part Number	Qty	Description Comments	Technical Specification
<b>BLANKING PARTS</b>				
2	72315799	1	PLUG NOT NEEDED WITH AIR BRAKE	DIN 7604 AM14X1,5-A3L
3	72315094	1	SEALING WASHER NOT NEEDED WITH AIR BRAKE	DIN 7603 A14X18-CU

FARMER 309 (119/00101-00200 & 01001-05000)  
432327-M-1



432327-M-1

Item	Part Number	Qty	Description Comments	Technical Specification
<b>BLANKING PARTS</b>				
1	72627515	1	CORE HOLE PLUG	
2	72315088	2	SEALING WASHER	DIN 7603 A10X13,5-CU
3	72323677	2	PLUG	
4	72631860	2	SLUG	
185	72325403	1	SAFE.LOCK AGENT	



030004

---

Fendt

FARMER 309 (119/00101-00200 & 01001-05000)

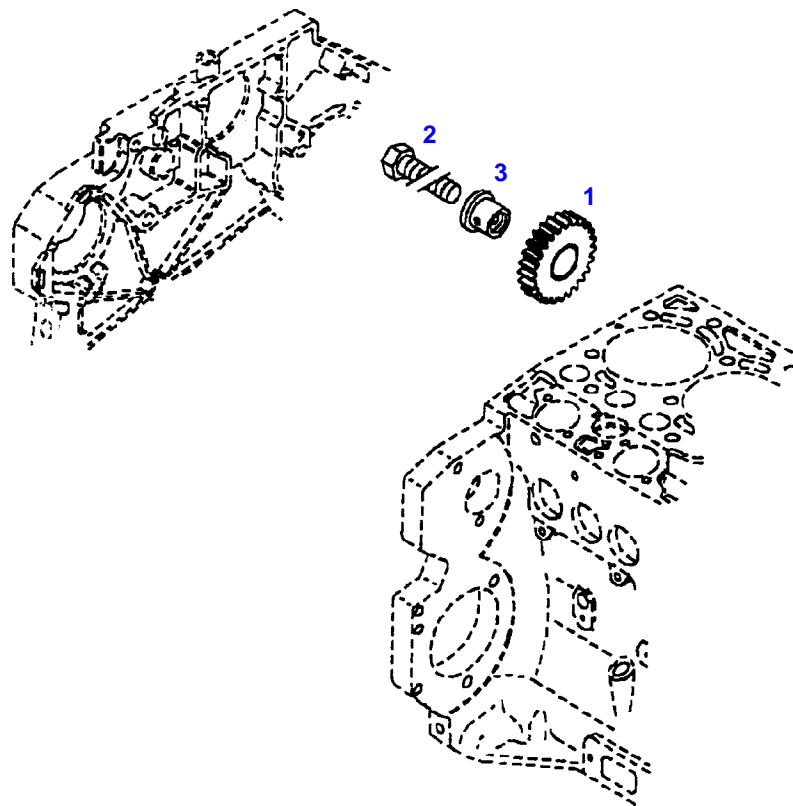
F119000

CRANKCASE

Page01-0008

---

Item	Part Number	Qty	Description Comments
			PISTON COOL.NOZZLE
1	72325334	1	PISTON COOLING JET



12057

---

Fendt

FARMER 309 (119/00101-00200 & 01001-05000)

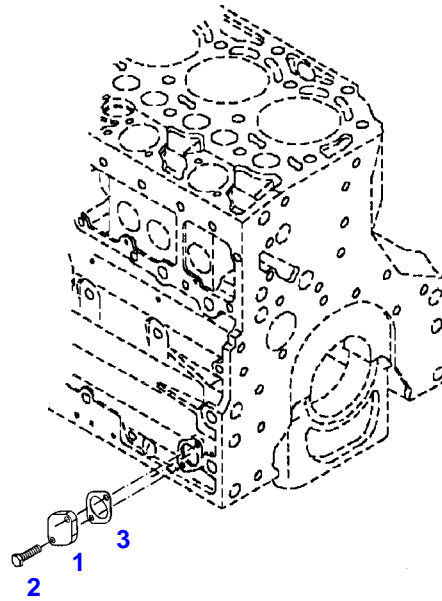
F119000

CRANKCASE

Page01-0009

---

Item	Part Number	Qty	Description Comments	Technical Specification
			<b>INTERM. GEAR WHEEL</b>	
1	72325335	1	GEAR WHEEL	
2	72315658	1	HEXAGONAL HEAD BOLT	DIN 933 M8X35-10.9
3	72325336	1	PIVOT	



96810

Fendt

FARMER 309 (119/00101-00200 & 01001-05000)

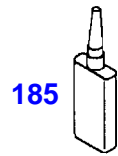
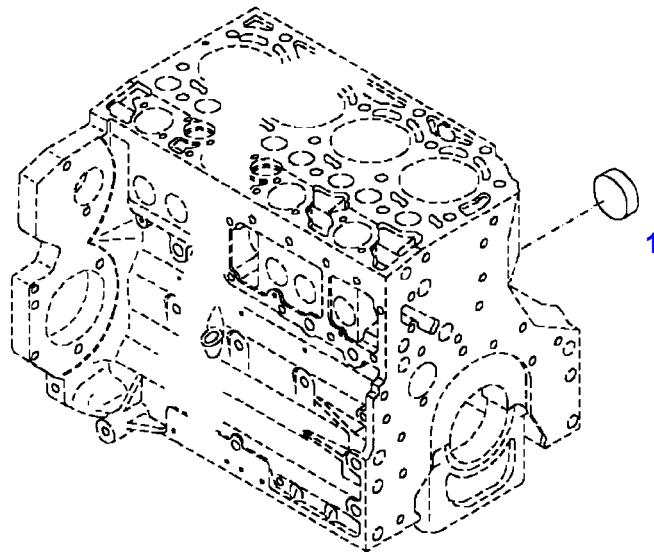
F119000

CRANKCASE

Page01-0010

Item	Part Number	Qty	Description Comments	Technical Specification
<b>BLANKING PARTS</b>				
1	72326910	1	COVER NOT NEEDED WITH AIR BRAKE	
2	72415315	2	HEXAGONAL HEAD BOLT NOT NEEDED WITH AIR BRAKE	M8X20
3	72325401	1	SEAL	

FARMER 309 (119/00101-00200 & 01001-05000)  
30097



030097

---

Fendt

FARMER 309 (119/00101-00200 & 01001-05000)

F119000

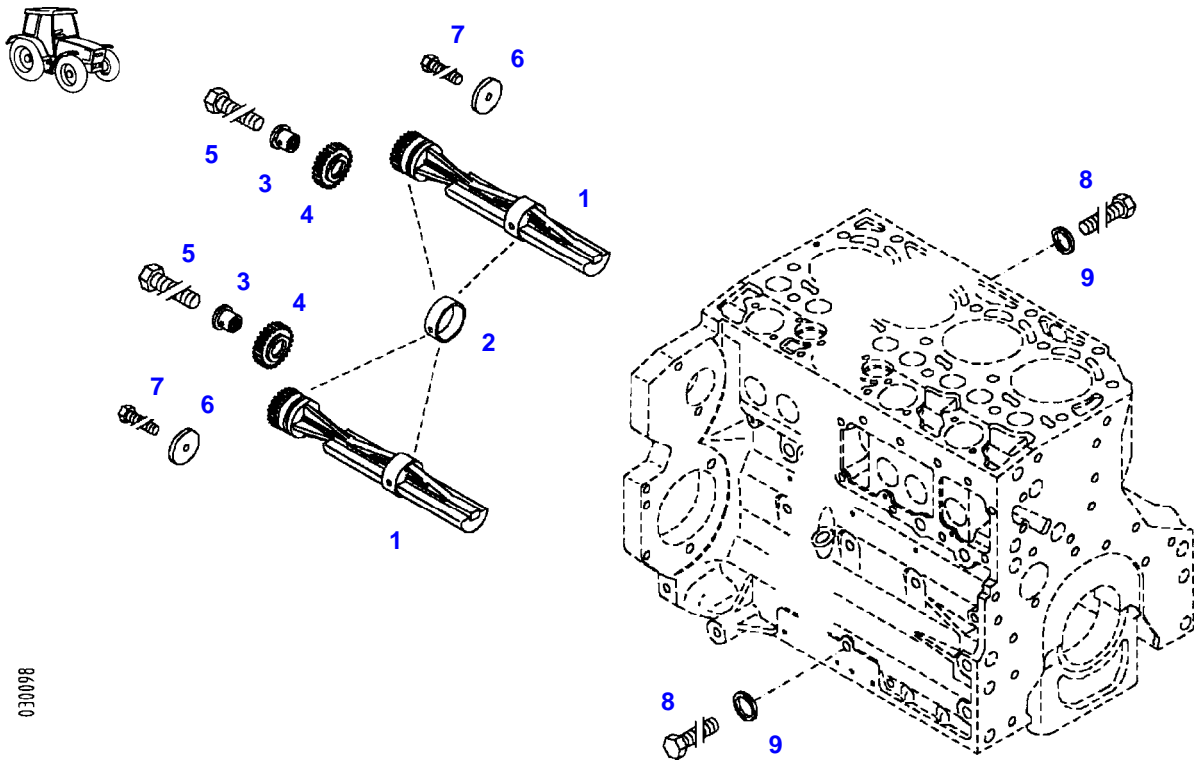
CRANKCASE

Page01-0011

---

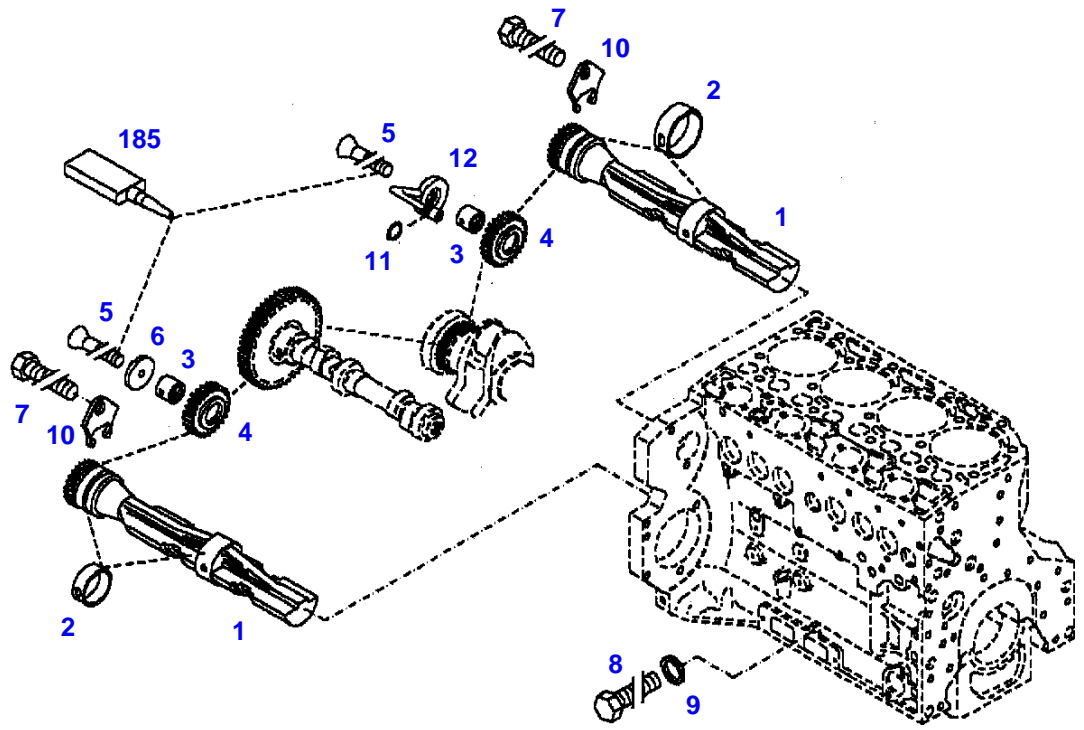
Item	Part Number	Qty	Description Comments
			<b>LOCKING PLUG</b>
1	72325337	1	CORE HOLE PLUG
185	72325403	1	SAFE.LOCK AGENT

FARMER 309 (119/00101-00200 & 01001-05000)  
30098



8600E0

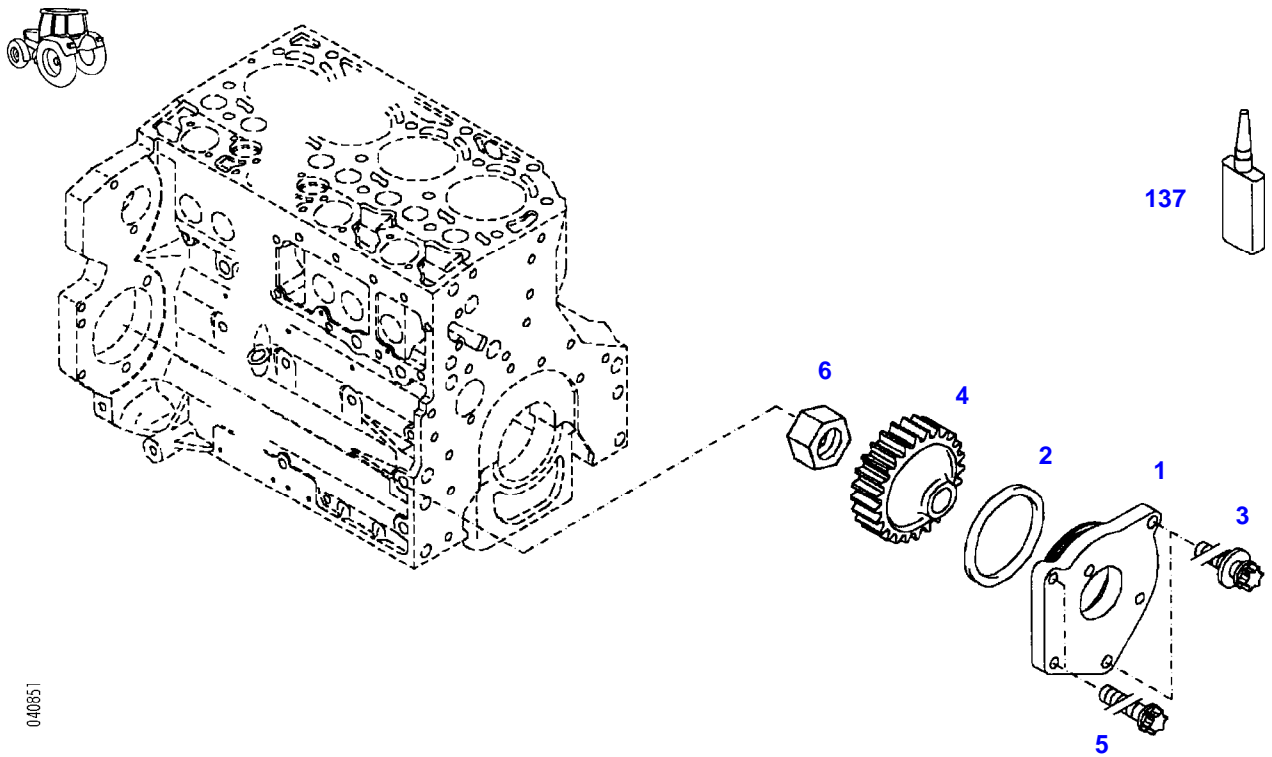
Item	Part Number	Qty	Description Comments	Technical Specification
			<b>ENGINE NUMBER</b> --> 296326	
1	72325338	2	GANG SHAFT	
2	72325339	4	BUSH	
3	72325336	2	PIVOT	
4	72325340	2	GEAR WHEEL	
5	72315658	2	HEXAGONAL HEAD BOLT	DIN 933 M8X35-10.9
6	72325341	2	THRUST WASHER	
7	72374416	2	HEXAGONAL HEAD BOLT	DIN 933 M8X16-10.9A4C
8	72315644	2	HEXAGONAL HEAD BOLT	DIN 933 M8X10-8.8A3L
9	72315086	2	SEALING WASHER	DIN 7603 A8X11,5-CU



031426

Item	Part Number	Qty	Description Comments	Technical Specification
			<b>ENGINE NUMBER</b> <-- 296327	
1	72325338	2	GANG SHAFT	
2	72325339	4	BUSH	
3	72415940	2	PIVOT	
4	72415941	2	GEAR WHEEL	
5	72423136	2	COUNTERSUNK CAPSCREW M8X45	
6	72415942	2	FIXING SHIM	
7	72423137	2	HEXAGONAL HEAD BOLT M8X16	
8	72315643	2	HEXAGONAL HEAD BOLT	DIN 933 M8X10-8.8
9	72315086	2	SEALING WASHER	DIN 7603 A8X11,5-CU
10	72415943	2	THRUST WASHER	
11	72423138	1	SEAL 7X1,5MM	
12	72415945	1	PIVOT	
185	72381391	1	THREADLOCKER	LOCTITE 243 10ML

FARMER 309 (119/00101-00200 & 01001-05000)  
40851



---

Fendt

FARMER 309 (119/00101-00200 & 01001-05000)

F119000

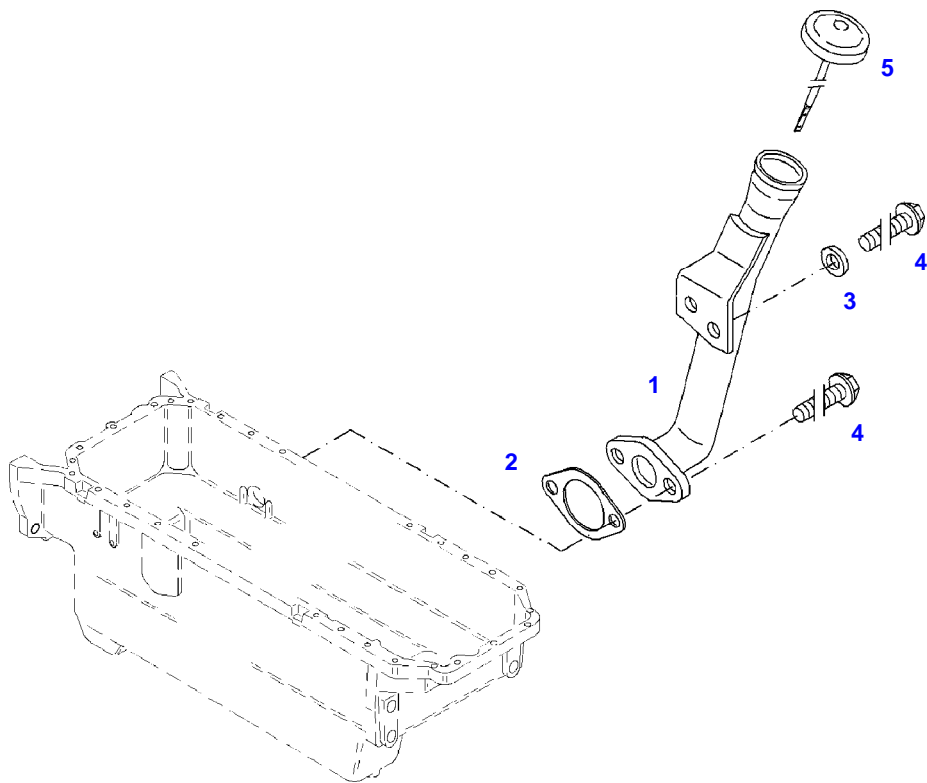
PUMP DRIVE

Page01-0014

---

Item	Part Number	Qty	Description Comments
1	72601858	1	INTERMEDIATE FLANGE
2	72325343	1	SEAL 95X3,55MM
3	72325344	2	TORX SCREW M8X30
4	72325345	1	GEAR WHEEL
5	72325346	2	TORX SCREW M10X30
6	72323713	1	NUT
137	72325407	1	SAFE.LOCK AGENT

FARMER 309 (119/00101-00200 & 01001-05000)  
41019



041019

---

Fendt

FARMER 309 (119/00101-00200 & 01001-05000)

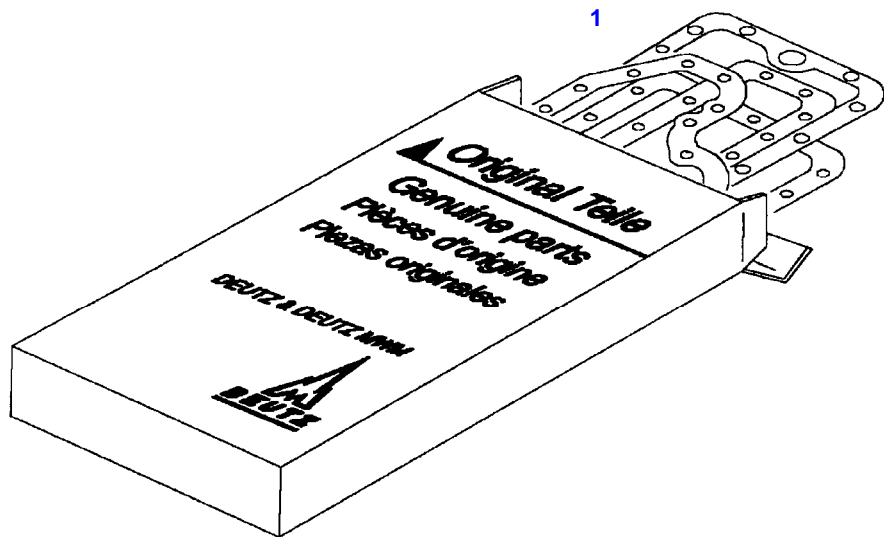
F119000

OIL FILLER

Page01-0015

---

Item	Part Number	Qty	Description Comments	Technical Specification
1	72325400	1	OIL FILLER NECK	
2	72325401	1	SEAL	
3	72325402	1	DISC	
4	72415315	3	HEXAGONAL HEAD BOLT	M8X20
			M8X20	
5	72325412	1	FILLER LOCK	



030100

---

Fendt

FARMER 309 (119/00101-00200 & 01001-05000)

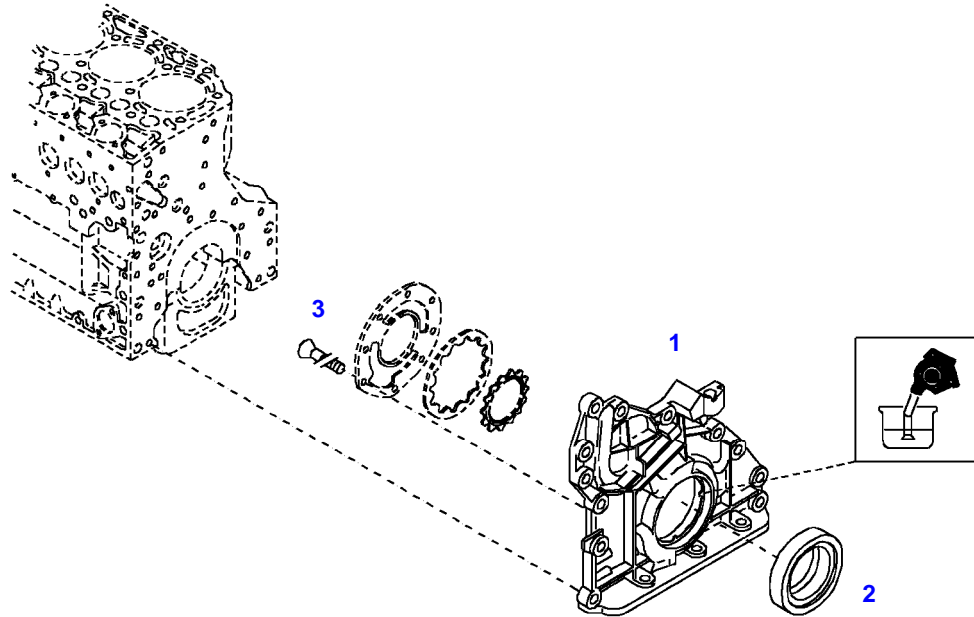
F119000

SET OF GASKETS

Page01-0016

Item	Part Number	Qty	Description Comments
			<b>ENGINE</b>
1	72325347	1	SEAL KIT WITHOUT CYLINDER HEAD GASKET

FARMER 309 (119/00101-00200 & 01001-05000)  
40475



040475

Fendt

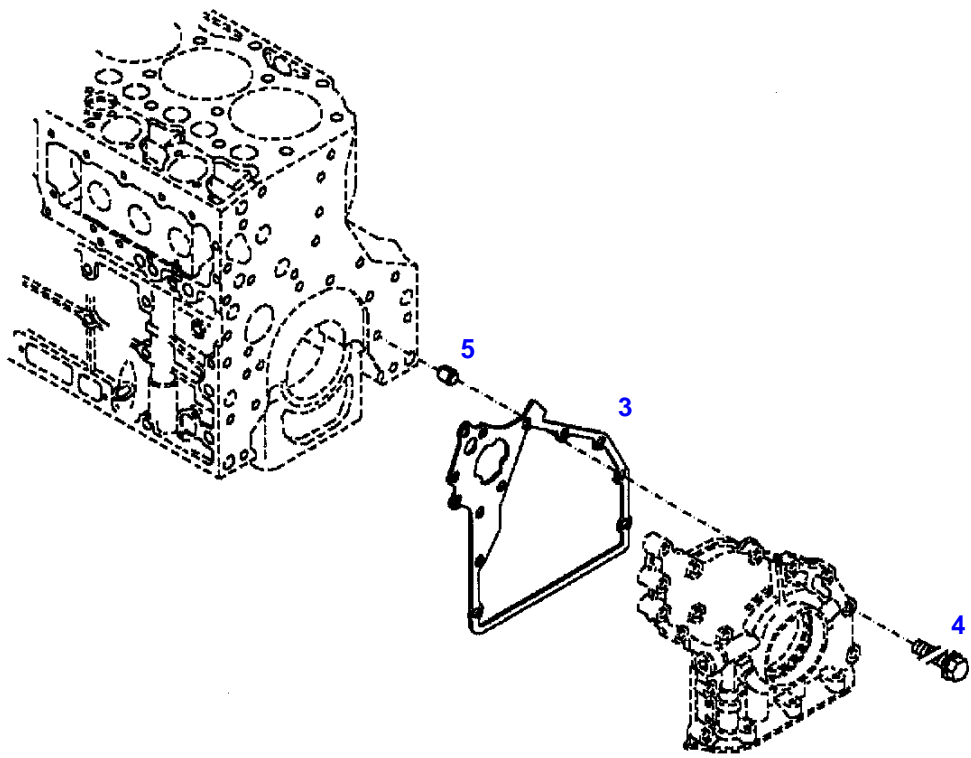
FARMER 309 (119/00101-00200 & 01001-05000)

F119000

FRONT COVER

Page01-0017

Item	Part Number	Qty	Description Comments
			<b>INTEGRATED OIL PUMP</b>
1	72325348	1	CRANKCASE END COVER INTEGRATED OIL PUMP ><2,3
2	72479487	1	SHAFT SEAL
3	72416228	8	COUNTERSUNK CAPSCREW M6X16



031470

---

Fendt

FARMER 309 (119/00101-00200 & 01001-05000)

F119000

FRONT COVER

Page01-0018

---

Item	Part Number	Qty	Description Comments	Technical Specification
<b>FASTENINGS</b>				
3	72486511	1	SEAL	
4	72605244	12	HEXAGONAL HEAD BOLT M8X35	M8X35
5	72325352	1	TENSIONER BUSHING	



**Suggest:**

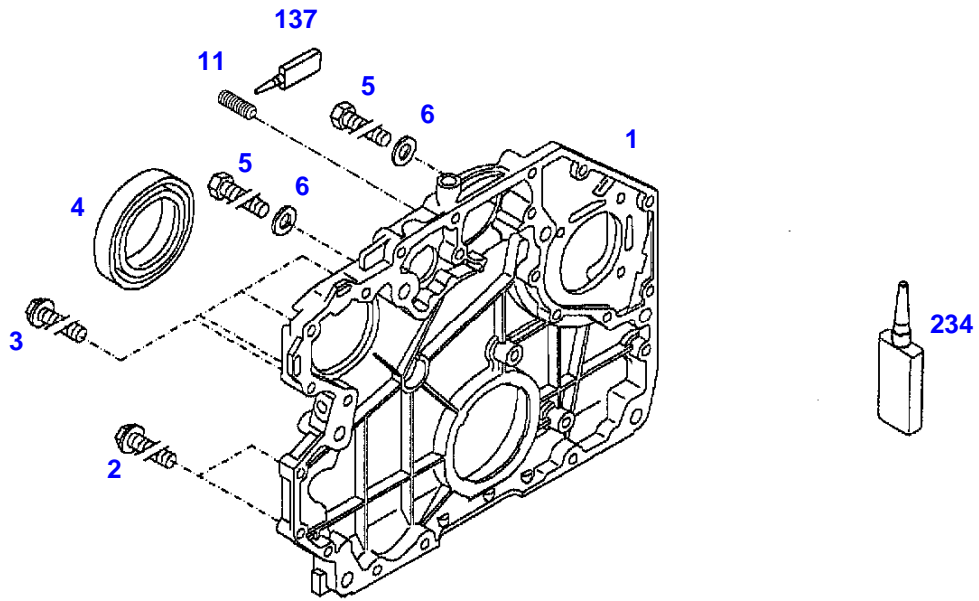
**For more complete manuals. Please go to the home page.**

**<https://www.ebooklibonline.com>**

**If the above button click is invalid. Please download this document first, and then click the above link to download the complete manual.**

**Thank you so much for reading**

FARMER 309 (119/00101-00200 & 01001-05000)  
31384



031384

Item	Part Number	Qty	Description Comments	Technical Specification
			<b>ENGINE NUMBER</b> --> 654531	
1	72414977	1	WHEEL BOX <-- 119/0101 --> 119/0200	
	72618802	1	WHEEL BOX <-- 119/1001	
2	72605244	12	HEXAGONAL HEAD BOLT M8X35	M8X35
3	72325388	4	HEXAGONAL HEAD BOLT M8X45	
4	72479495	1	SHAFT SEAL	
5	72315739	2	HEXAGONAL HEAD BOLT	DIN 933 M16X60 GWA-10.9
6	72311793	2	DISC	DIN 125-17-ST.A3L
11	72420381	X	THREADED PIN ENG.NO. <-- 506013	DIN 913-M6X10-45H
137	72325407	1	SAFE.LOCK AGENT	
234	72325408	1	SEALING COMPOUND	

**<https://www.ebooklibonline.com>**

Hello dear friend!

Thank you very much for reading.

Enter the link into your browser.

The full manual is available for immediate download.

**<https://www.ebooklibonline.com>**