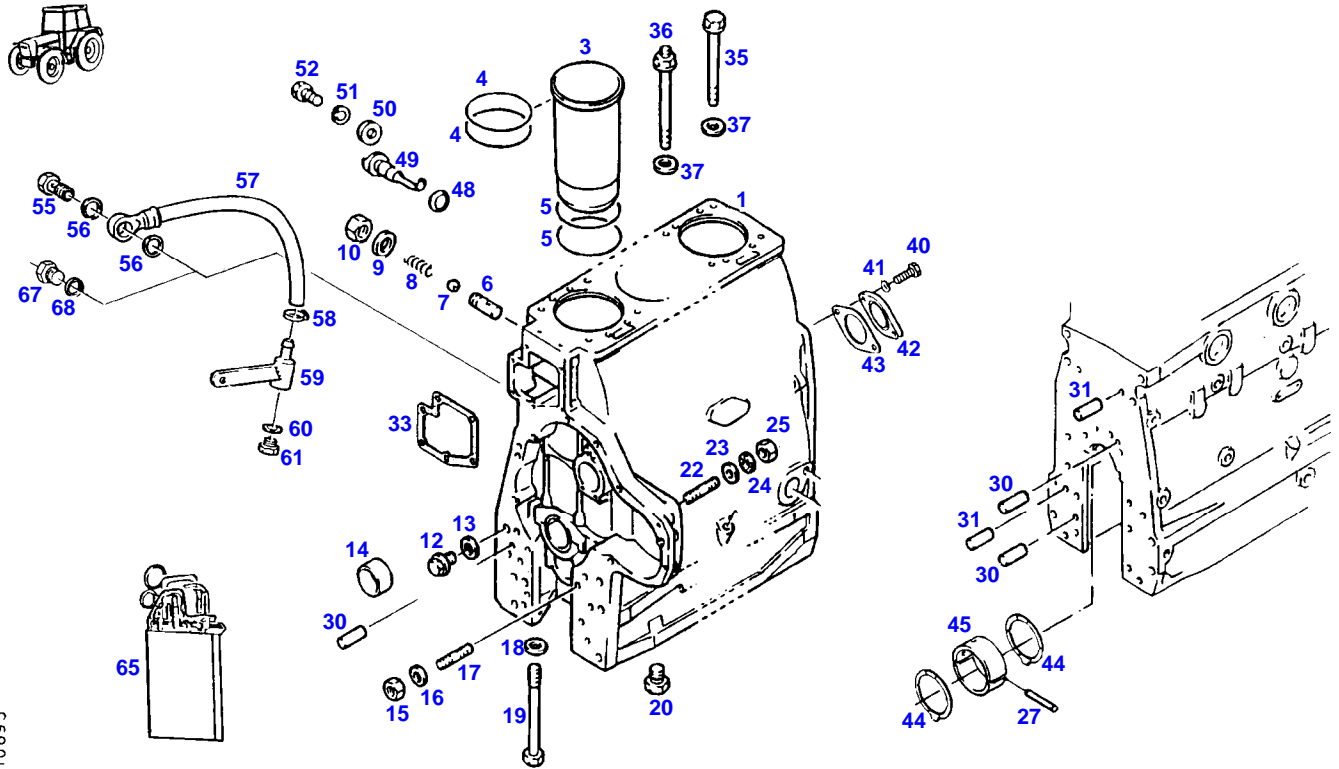


TABLE OF CONTENT

Page Number	Page Title	Page Reference
01-000-TOC	ENGINE, FUEL AND EXHAUST SYSTEM	01-000-TOC
02-000-TOC	AXLES	02-000-TOC
03-000-TOC	STEERING SYSTEM	03-000-TOC
04-000-TOC	DRIVE TRAIN SYSTEM	04-000-TOC
05-000-TOC	COMPRESSED AIR SYSTEM	05-000-TOC
06-000-TOC	HYDRAULIC SYSTEM	06-000-TOC
07-000-TOC	ELECTRICAL SYSTEM	07-000-TOC
08-000-TOC	CAB	08-000-TOC
09-000-TOC	AIR CONDITIONING AND HEATING SYSTEM	09-000-TOC
10-000-TOC	CHASSIS	10-000-TOC
11-000-TOC	WHEELS	11-000-TOC
12-000-TOC	IMPLEMENT LIFT SYSTEM FRONT	12-000-TOC
13-000-TOC	IMPLEMENT LIFT SYSTEM REAR	13-000-TOC
14-000-TOC	FRONT/REAR LOADERS	14-000-TOC
15-000-TOC	ACCESSORIES	15-000-TOC

FARMER 308 (178/30001-99999)
10895



Item	Part Number	Qty	Description Comments	Technical Specification
	72431075	1	DIESEL ENGINE --> 178/30240 <-- Z178.208.010.020 ENGINE EXCHANGE	
	72431076	1	DIESEL ENGINE <-- 178/30241	
1	72416159	1	CRANKCASE ><3-27 ENG.NO. --> 765486 <> <>	
	72337035	1	HEXAGONAL HEAD BOLT	
	72329118	1	PIPE	
	72340920	1	DISC	
	72416321	1	CAMSHAFT	
	72340921	1	MIDGRIP NUT	
3	72425044	4	CYLINDER LINER	
	72416175	4	CYLINDER LINER OVERLAP 0,05 MM	
	72416176	4	CYLINDER LINER OVERLAP 0,1 MM	
4	72329541	8	SEAL	
5	72343893	8	SEAL	
6	72341074	1	SCREW PIECE	
7	72378872	1	BALL	DIN 5401-9,0MM
8	72341075	1	COMPRESSION SPRING	
9	72315097	1	SEALING WASHER	DIN 7603 A16X20-CU
10	72341076	1	CAP NUT	
12	72315436	1	SCREW	DIN 908 M10X1-ST A3L
13	72315088	1	SEALING WASHER	DIN 7603 A10X13,5-CU
14	72329540	1	BUSH	
15	72340921	1	MIDGRIP NUT	
16	72340920	1	DISC	
17	72374623	1	STUD BOLT	DIN 939-M8X25-8.8
18	72324592	10	DISC	
19	72327081	10	HEXAGONAL HEAD BOLT	
20	72337035	1	HEXAGONAL HEAD BOLT	
22	72313772	3	STUD BOLT	DIN 939 M8X30-8.8
23	72321257	3	DISC	
24	72315053	3	SPLIT WASHER	FWN 65208-8-A3L
25	72313268	3	NUT	DIN 934 M8-8A3L
27	72375130	5	TENSIONING PIN	ISO8752-4X8-A-ST-ZNPH
30	72313859	4	CYLINDER PIN	DIN 7-8M6X18-ST50K
31	72375324	2	CYLINDER PIN	DIN 7-10M6X28-ST50K
33	72327043	1	MOLDED SEAL	
35	72333013	14	SOCKET HEAD BOLT	
36	72333014	2	HEXAGONAL HEAD BOLT	
37	72324592	16	DISC	
40	72315650	2	HEXAGONAL HEAD BOLT	DIN 933 M8 X 20-8.8A3L
41	72315053	2	SPLIT WASHER	FWN 65208-8-A3L
42	72343896	1	COVER	
43	72333001	1	SEAL	
44	72343910	2	THRUST RING 70,00 MM	
	72343911	2	THRUST RING 69,79 MM	
	72343912	2	THRUST RING 69,54 MM	
	72343913	2	THRUST RING 69,04 MM	
45	72341078	5	MAIN BEARING 70,00 MM	
	72341079	5	MAIN BEARING 69,79 MM	

<https://www.ebooklibonline.com>

Hello dear friend!

Thank you very much for reading.

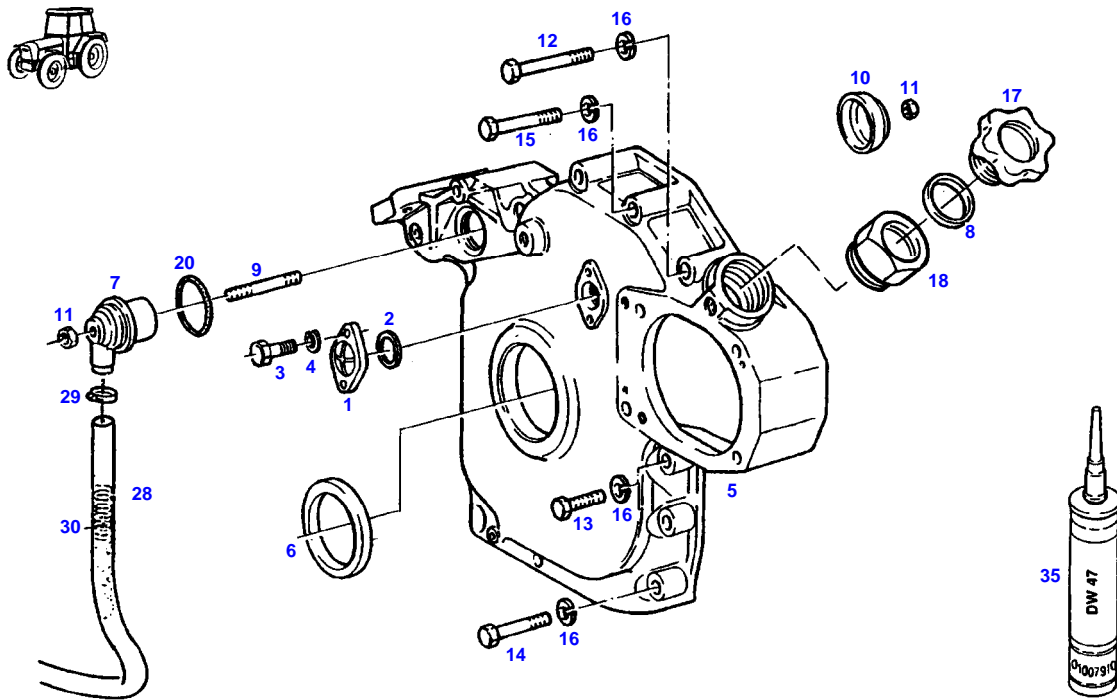
Enter the link into your browser.

The full manual is available for immediate download.

<https://www.ebooklibonline.com>

Item	Part Number	Qty	Description Comments	Technical Specification
	72341080	5	MAIN BEARING 69,54 MM	
	72341081	5	MAIN BEARING 69,29 MM	
	72341082	5	MAIN BEARING 69,04 MM	
48	72376423	4	O-RING	14X3-NBR 70 FWN56402
49	72334018	4	NOZZLE	
50	72334019	4	DISC	
51	72315053	4	SPLIT WASHER	FWN 65208-8-A3L
52	72315642	4	HEXAGONAL HEAD BOLT	DIN 933 M8 X 16-8.8A3L
55	72315808	1	BANJO BOLT	DIN 7643-10-3-A3L
56	72315094	2	SEALING WASHER	DIN 7603 A14X18-CU
57	72313976	1	COOLING WATER DRAIN LINE	
58	72438345	1	HOSE CLIP	
59	72355704	1	HOSE RETAINER	
60	72315088	1	SEALING WASHER	DIN 7603 A10X13,5-CU
61	72315436	1	SCREW	DIN 908 M10X1-ST A3L
65	72342939	1	SEAL KIT TD 226 B-4	
67	72315799	1	PLUG	DIN 7604 AM14X1,5-A3L
68	72315094	1	SEALING WASHER	DIN 7603 A14X18-CU

FARMER 308 (178/30001-99999)
8328

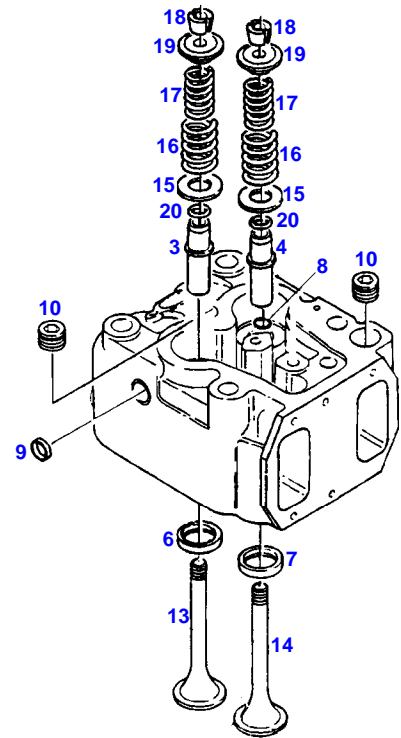
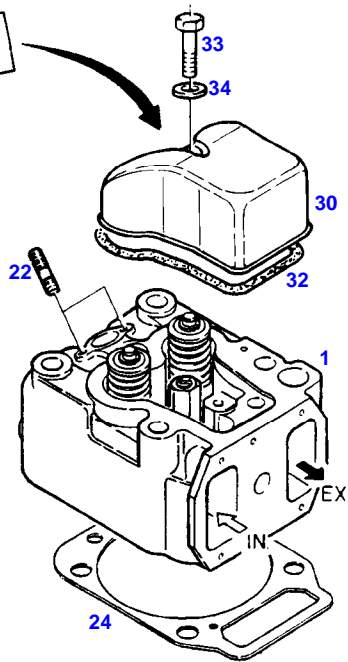
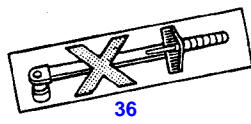


8328

Item	Part Number	Qty	Description Comments	Technical Specification
1	72343896	1	COVER	
2	72376544	1	O-RING	42,2X3-NBR 70 FWN56402
3	72315650	2	HEXAGONAL HEAD BOLT	DIN 933 M8 X 20-8.8A3L
4	72317121	2	SPRING WASHER	DIN 137 B8-MECH.VZK
5	72342971	1	CRANKCASE END COVER	
6	72332982	1	RADIAL SEALING RING	
7	72326907	1	HOUSING	
8	72376514	1	O-RING	32X4-NBR 70 FWN56402
9	72326906	1	THREADED PIN	
10	72326904	1	COVER PANEL	
11	72372804	2	NUT	DIN 934 M6-10
12	72315535	1	HEXAGONAL HEAD BOLT	DIN 931 M8X75 GWA-10.9
13	72315660	1	HEXAGONAL HEAD BOLT	DIN 933 M8X35-8.8A3L
14	72374372	7	HEXAGONAL HEAD BOLT	DIN 931 M8X45S-8.8
15	72315534	5	HEXAGONAL HEAD BOLT	DIN 931 M8 X 70-8.8
16	72315053	13	SPLIT WASHER	FWN 65208-8-A3L
17	72321607	1	PLUG	
18	72342977	1	EXTENSION TUBE	
20	72376538	1	O-RING	40X4
28	72436284	1	HOSE 1X 830MM CUT TO LENGTH	L=1120 FWN65912-19X3-PVC-W-G
29	72311166	1	HOSE CLIP	
30	72407980	1	COMPRESSION SPRING	
35	72311273	1	SEALING COMPOUND	TEROST-63S

Item	Part Number	Qty	Description Comments	Technical Specification
1	72395452	1	HOUSING	
3	72374469	4	HEXAGONAL HEAD BOLT	DIN 933-M12X45-12.9
4	72315686	10	HEXAGONAL HEAD BOLT	DIN 933-M10X35-12.9
5	72374220	4	HEXAGONAL HEAD BOLT	DIN 931-M12X80-12.9
6	72374189	2	HEXAGONAL HEAD BOLT	DIN 931 M10X85-12.9
8	72325584	1	RUBBER STRIP	
13	72314756	1	LOCKING PLUG F21	F21
	72375075	2	LOCKING PLUG F3	F3
	72314763	4	LOCKING PLUG F211	F211
	72314748	4	LOCKING PLUG F11	SW-F11
	72375092	4	LOCKING PLUG F12	V14
	72375100	1	SCREW PLUG M18	M18
	72317290	1	TAPERED PLUG B47	
15	72330754	1	CRANKCASE END COVER ><16	
16	72376834	1	SHAFT SEAL	110X130X14,5
17	72330755	1	MOLDED SEAL	
18	72315652	10	HEXAGONAL HEAD BOLT	DIN 933 M8X25-8.8
19	72317121	10	SPRING WASHER	DIN 137 B8-MECH.VZK

FARMER 308 (178/30001-99999)
10872

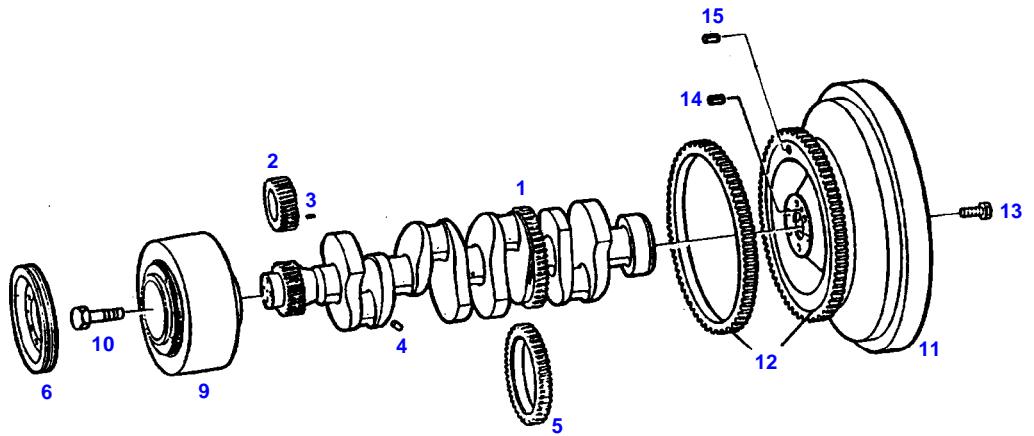


10872

CYLINDER HEAD

Item	Part Number	Qty	Description Comments	Technical Specification
1	72342974	4	CYLINDER HEAD ><3-20	
3	72343644	4	VALVE GUIDE INTAKE	
4	72343645	4	VALVE GUIDE OUTLET	
6	72343650	4	VALVE SEAT RING INTAKE	
7	72343902	4	VALVE SEAT RING OUTLET	
8	72327100	8	LOCKWASHER	
9	72311455	12	COVER	
10	72373948	8	PLUG SCREW	DIN 906 M22X1,5-ST
13	72343651	4	POPPET	
14	72343905	4	POPPET	
15	72340915	8	DISC	
16	72340913	8	VALVE SPRING	
17	72340914	8	VALVE SPRING	
18	72327092	16	TAPER PIECE HALF	
19	72327093	8	SPRING RETAINER	
20	72343647	8	SEAL	
22	72374627	8	STUD BOLT	DIN 939 M8X40-8.8
24	72343992	4	CYLINDER HEAD GASKET	
30	72343906	4	CYLINDER HEAD COVER	
32	72343908	4	MOLDED SEAL	
33	72315659	4	HEXAGONAL HEAD BOLT	DIN 933 M8X35-8.8
34	72315087	4	SEALING WASHER	DIN 7603 A8X14-CU
36	72342973	4	LABEL	

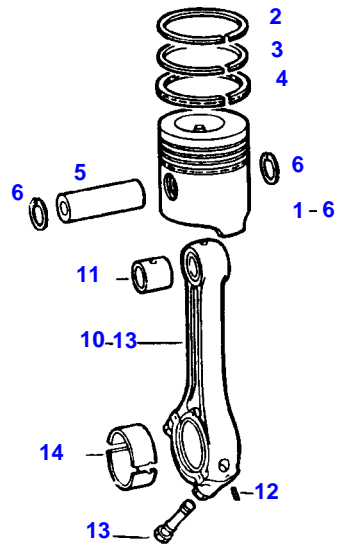
FARMER 308 (178/30001-99999)
8520



8520

Item	Part Number	Qty	Description Comments	Technical Specification
1	72342940	1	CRANKSHAFT ><2-5	
2	72341105	1	SPUR GEAR	
3	72313801	1	TENSIONING PIN	ISO8752-4X14-A-ST
4	72337059	4	PLUG	
5	72329220	1	RING GEAR	
6			SEE V-BELT	
9	72332454	1	HUB	
10	72374113	4	SOCKET HEAD BOLT	DIN 912 M16X50-10.9
11	72332461	1	FLYWHEEL ><12	
12	72330772	1	RING GEAR	
13	72315739	6	HEXAGONAL HEAD BOLT	DIN 933 M16X60 GWA-10.9
14	72375149	1	TENSIONING PIN	ISO8752-6X10-A-ST
15	72329545	1	PIN	

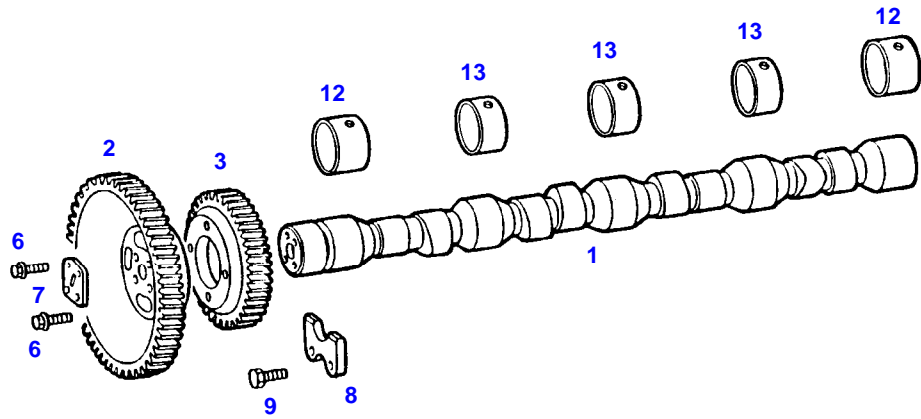
FARMER 308 (178/30001-99999)
3119



3119

Item	Part Number	Qty	Description Comments	Technical Specification
1	72333026	4	PISTON ><2-6	
2	72333027	4	PISTON RING KIT ><2-4	
3			NOT AVAILABLE IN SINGLE PARTS	
4			NOT AVAILABLE IN SINGLE PARTS	
5			NOT AVAILABLE IN SINGLE PARTS	
6	72332584	8	LOCKWASHER	
10	72343926	4	PISTON ROD ><11-13	
11	72341118	4	SMALL-END BUSH	
12	72313802	4	TENSIONING PIN	ISO8752-4X16-A-ST-ZNPHR10F-KOE
13	72327143	8	CONNECTING ROD BOLT	
14	72341119	4	CONNECTING ROD BEARING 63,00 MM	
	72341120	4	CONNECTING ROD BEARING 62,75 MM	
	72341121	4	CONNECTING ROD BEARING 62,50 MM	
	72341122	4	CONNECTING ROD BEARING 62,25 MM	
	72341123	4	CONNECTING ROD BEARING 62,00 MM	

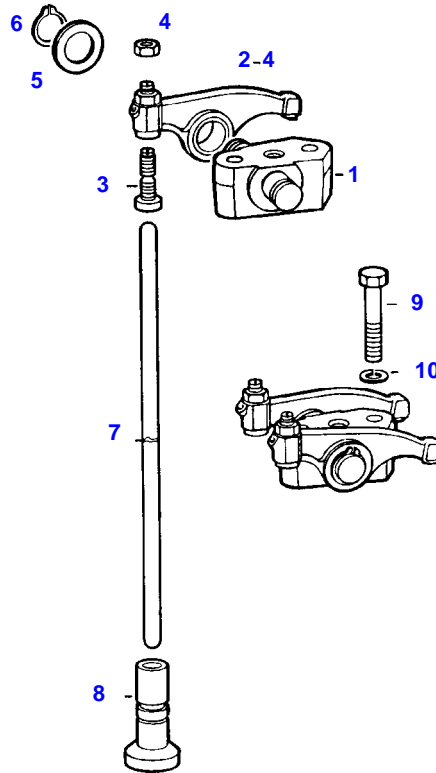
FARMER 308 (178/30001-99999)
4893



4893

Item	Part Number	Qty	Description Comments	Technical Specification
1	72416321	1	CAMSHAFT	
2	72343928	1	SPUR GEAR	
3	72343929	1	SPUR GEAR	
6	72375063	8	LOCK SCREW	FWN 64993 M8X22-12.9
7	72331325	1	PROFILED FLANGE	
8	72343930	1	SEGMENT	
9	72375061	2	LOCK SCREW	W151.12 M8X16-90
12	72332989	2	BUSH REPAIR STEP	
13	72332990	3	BUSH REPAIR STEP	

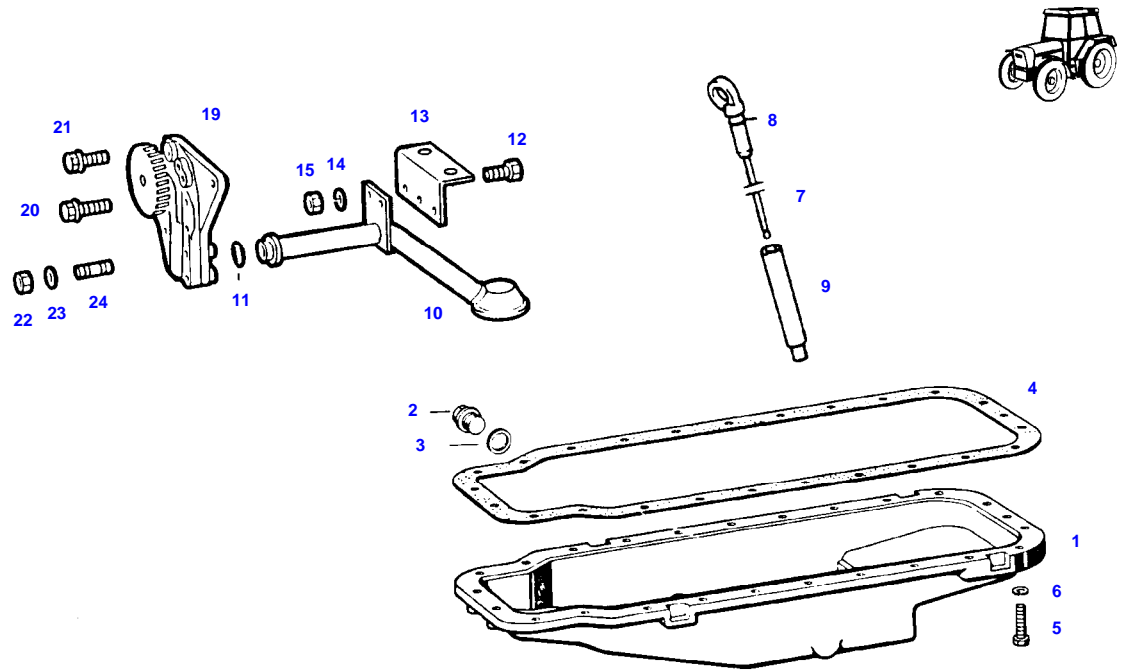
FARMER 308 (178/30001-99999)
3121



3121

Item	Part Number	Qty	Description Comments	Technical Specification
1	72343933	4	ROCKER ARM SUPPORT	
2	72343934	8	ROCKER ARM ><2-4	
3	72343935	8	ADJUSTING SCREW	
4	72343936	8	NUT	
5	72321237	16	DISC	
6	72375559	8	LOCK WASHER	DIN 471-16X1
7	72330785	8	BUMPER	
8	72343937	8	MUSHROOM TAPPET	
	72423816	8	MUSHROOM TAPPET OVERSIZE 19,5 MM	
9	72315691	8	HEXAGONAL HEAD BOLT	DIN 933 M10X40-8.8A3L
10	72315054	8	SPLIT WASHER	FWN 65208-10-A3L

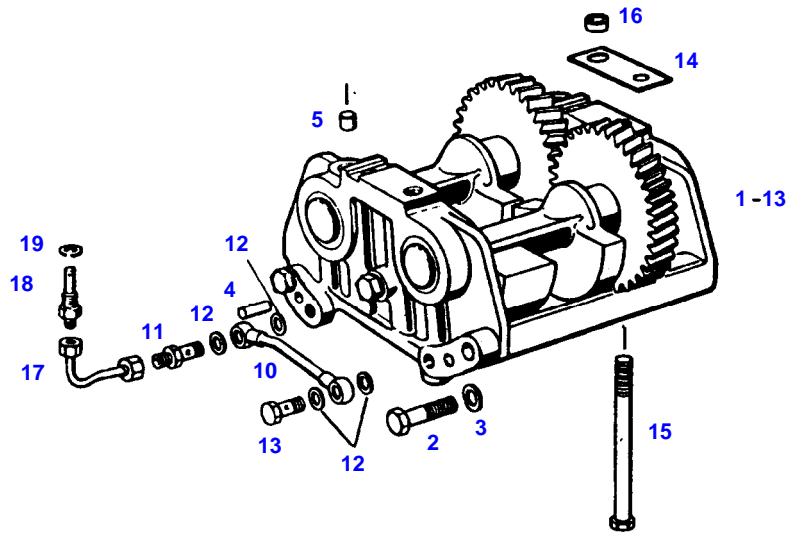
FARMER 308 (178/30001-99999)
7700



7700

Item	Part Number	Qty	Description Comments	Technical Specification
1	72337689	1	OIL PAN ><2-3	
2	72373986	1	SCREW	
3	72332580	1	SEALING WASHER	
4	72329727	1	SEAL	
5	72315474	2	SOCKET HEAD BOLT	
	72374024	5	SOCKET HEAD BOLT	DIN 912-M8X45-10.9
	72315479	18	SOCKET HEAD BOLT	DIN 912 M8X35-10.9
6	72315053	25	SPLIT WASHER	FWN 65208-8-A3L
7	72332601	1	DIPSTICK ><8	
8	72376384	1	O-RING	7,3X2,4
9	72329118	1	PIPE	
10	72339392	1	LUBE OIL LINE	
11	72376462	1	O-RING	20X4-FPM 70 FWN56402
12	72315642	2	HEXAGONAL HEAD BOLT	DIN 933 M8 X 16-8.8A3L
13	72330779	1	GUSSET PLATE	
14	72315053	2	SPLIT WASHER	FWN 65208-8-A3L
15	72313268	2	NUT	DIN 934 M8-8A3L
19	72332187	1	OIL GEAR PUMP	
20	72375067	1	LOCK SCREW	FWN 64993 M8X35-90
21	72375063	2	LOCK SCREW	FWN 64993 M8X22-12.9
22	72340921	1	MIDGRIP NUT	
23	72340920	1	DISC	
24	72374623	1	STUD BOLT	DIN 939-M8X25-8.8

FARMER 308 (178/30001-99999)
5260



5260



Suggest:

For more complete manuals. Please go to the home page.

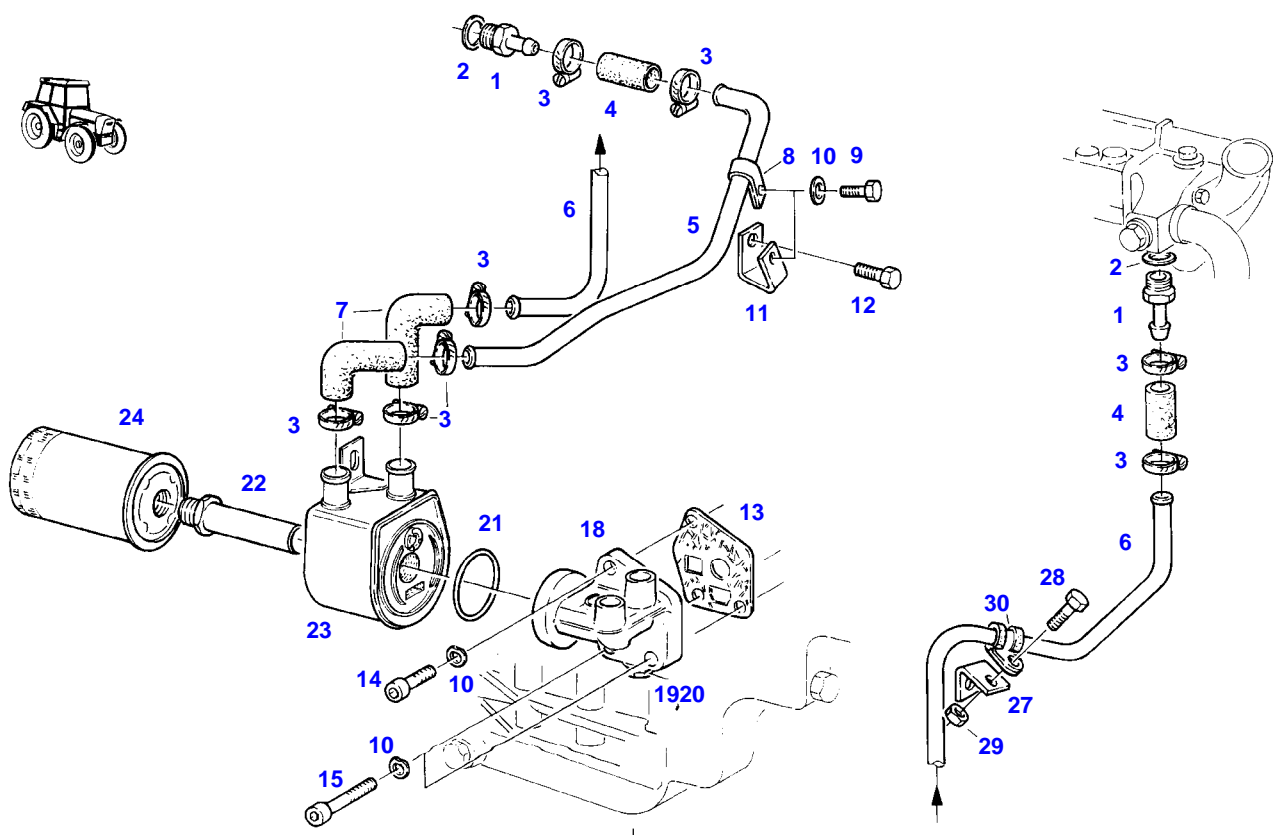
<https://www.ebooklibonline.com>

If the above button click is invalid. Please download this document first, and then click the above link to download the complete manual.

Thank you so much for reading

Item	Part Number	Qty	Description Comments	Technical Specification
1	72318354	1	COUNTERBALANCING ><2-13	
2	72374177	3	HEXAGONAL HEAD BOLT	DIN 931 M10X45-8.8
3	72315054	3	SPLIT WASHER	FWN 65208-10-A3L
4	72372613	2	TAPER PIN	DIN 258-8X55-ST50K
5	72325101	4	PLUG	
10	72329212	1	LUBRICANT PRESSURE LINE	
11	72329213	1	SCREW PIECE	
12	72315088	4	SEALING WASHER	DIN 7603 A10X13,5-CU
13	72315806	1	BANJO BOLT	DIN 7643-6-3-A3L
14	72329210	X	SHIM	
15	72374198	4	HEXAGONAL HEAD BOLT	DIN 931 M10X105-8.8
16	72332521	2	LOCATING SLEEVE	
17	72329225	1	OIL PRESSURE LINE	
18	72329224	1	SCREW PIECE	
19	72315098	1	SEALING WASHER	DIN 7603 A16X22-CU

FARMER 308 (178/30001-99999)
7705



7705

<https://www.ebooklibonline.com>

Hello dear friend!

Thank you very much for reading.

Enter the link into your browser.

The full manual is available for immediate download.

<https://www.ebooklibonline.com>